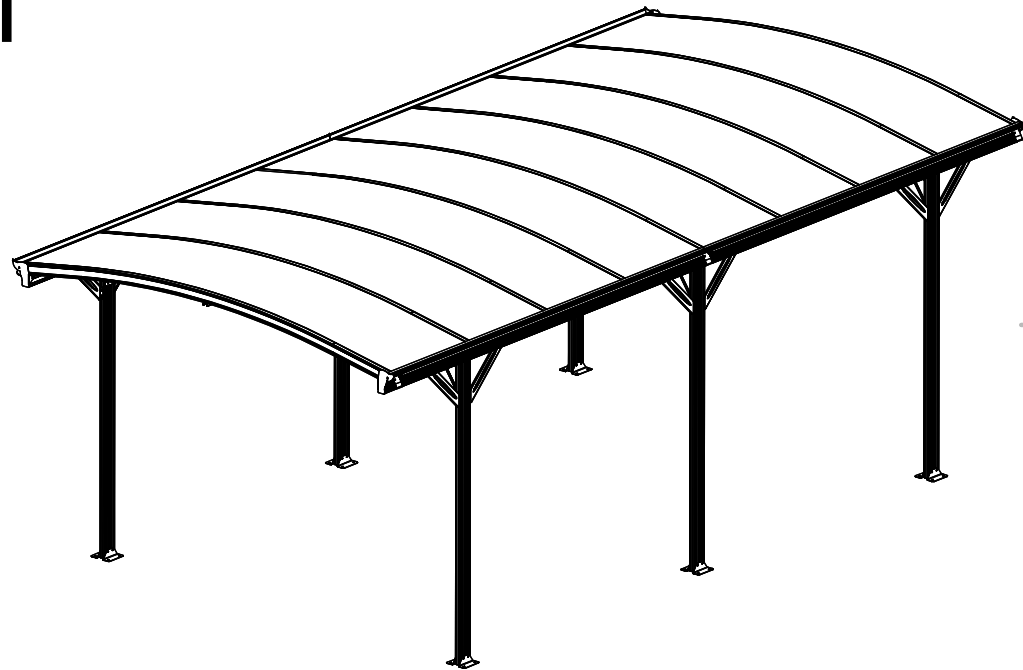


ALUMINUM CARPORT

Instruction manual

size/cm:576Lx300Wx192/219H
size/inch:227Lx118Wx75.6/86H



9820201

IMPORTANT

You must read these instructions carefully before you start to assemble this .Please ensure that you find all parts in the carton box in the correct type and quantity as mentioned in the list illustrated in every page accordingly.

Please carry out the steps in the order set out in these instructions.

Do not tighten the steps until completing the assembly of all the polycarbonate panels.

Keep these instructions in a safe place for future reference.

SAFETY ADVICE

We strongly recommend the use of work gloves during assembly.
Do not attempt to assemble the Aluminum carport in windy or wet conditions,
Do not touch overhead power cables with the aluminum profiles.
Always wear shoes and safety goggles when working with extruded aluminum.
Dispose of all plastic bags safely and keep them out of reach of children.
The Aluminum carport must be positioned and fixed on a flat level surface.
Do not lean against or push the Aluminum carport during construction.
Keep children away from the assembly area.
Do not position your Aluminum carport in an area exposed to excessive wind.
Do not attempt to assemble this Aluminum carport if you are tired, have taken drugs or alcohol or if you are prone to dizzy spells.
If using a step ladder or power tools ensure that you follow the manufacturer's safety advice.
Hot items such as recently used grills, blowtorches etc. must not be stored in the Aluminum carport.
Ensure there are no hidden pipes or cables in the ground before inserting the pegs.

GENERAL ADVICE

This is a multi-part assembly, Allow at least 5 hours for assembly.
Selecting a site-choose a sunny level position away from overhanging trees.
If you are fixing your Aluminum carport directly to a solid concrete foundation use the predrilled holes in the metal base supplied.
The component parts should be checked and laid out close to hand.
Keep all small parts(screws etc) in a bowl so they do not get lost.
Note that the door is hinged on the right hand side and therefore opens to the right.
Keep roof clear from snow and leaves.

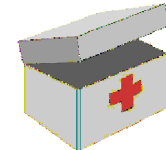
CARE & MAINTENANCE

When your Aluminum carport needs cleaning, use a mild detergent solution and rinse with cool clean water.
Do NOT use acetone, abrasive cleaners or other special detergents to clean the clear panels.

TOOLS & EQUIPMENT REQUIRED

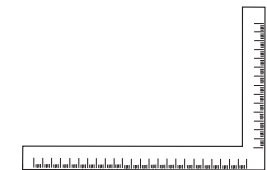
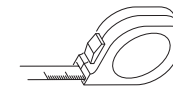
Protective Equipment:

1. Helmet
2. Glove
3. Long Sleeve Cotton Overalls
4. Emergency Medicine Cabinet
5. Eye Shield



Measurement Tools:

1. Tape Measure (16.4 Feet)
2. Angle Square
3. Level Meter



Installation Tool:

1. Triangle Stairs ≈ 4.9 Feet Height
2. Spanner 10mm/(25/64) (Ratchet Wrench is better)
3. Spanner 14mm/(35/64) (Install the expansion screw)
4. Hexagon wrench 5mm(13/64)inch
5. Electric screwdriver+5mm(13/64)inch Hexagon wrench (suggest)
6. Wooden Mallet
7. Marking Pen
9. Percussion bit(10mm)(25/64)
10. Knife
11. Phillips screwdriver

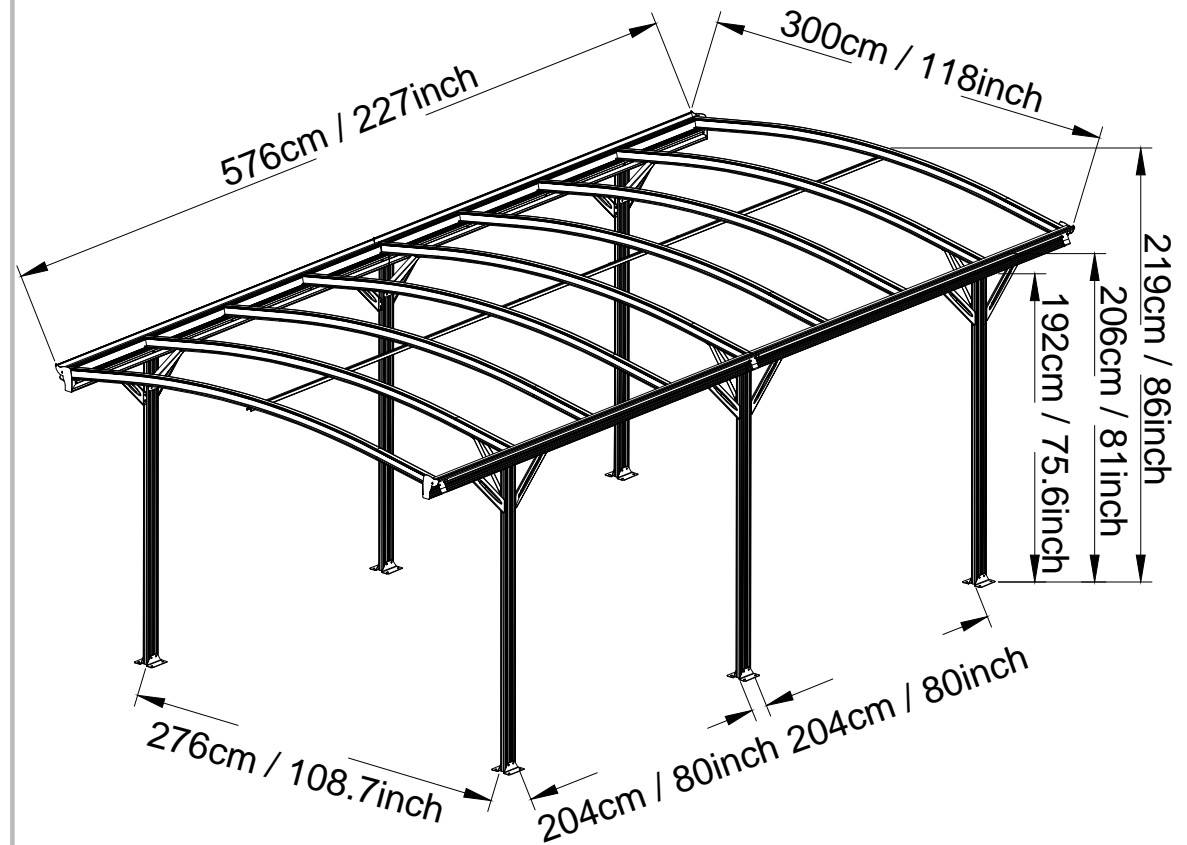


PRODUCT SIZE

Make sure you choose a correct installation location

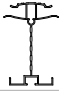


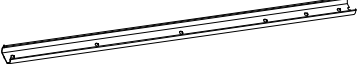

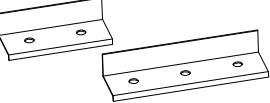

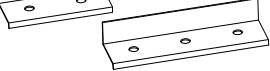

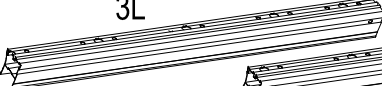


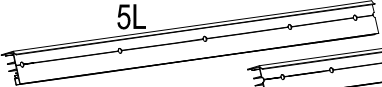
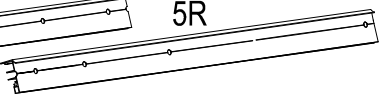


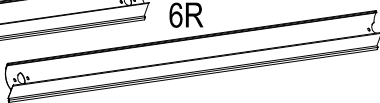



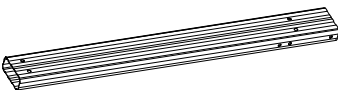
OTHER CAUTIONS

1. 4-5 people required, one is for measuring & taking marks to ensure the installation dimension ,the second person is responsible for the installation and the last one do as assistant and assure the safety.
2. Firstly, make sure the carport is strong enough for installation. A brick concrete structures is the best choice.
3. High-power electric tools are required, ensure the normal work of them and pay high attention to electric safety
4. Be careful when using the kind of blunt tools, like hammer.
5. Wear long sleeve cotton overalls,gloves and helmet during installation and wear safety glasses when using power tools .
6. Don't look up when Working in high position, or the drop screws that may hurt your eyes and cause suffocation accidentally when falling into your mouth.
7. No climbing, No standing on the tent to avoid falling down.
8. If injuries occur, please take immediate action to locate and use a first-aid kit. In case of emergency, please go to the nearest emergency room.

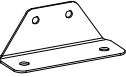
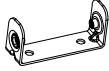
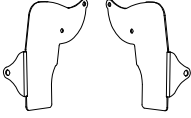



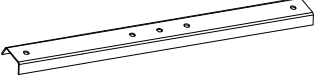
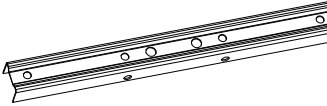
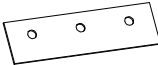



PARTS LIST








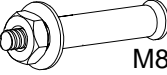

SKELETON

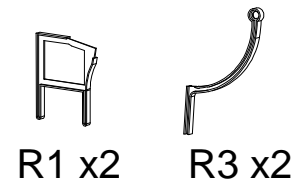
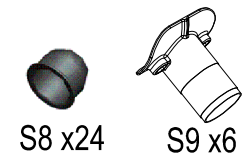
NO.	Qty.		
1	9	 2960mm 116inch	
2	2	 2862mm 112.7inch	
5	4	 80mm 3inch	
6	14	 120mm 4.7inch	
3L	2	 2877mm 113inch	
3R	2		
5L	2	 2877mm 113inch	
5R	2		
6L	2	 2877mm 113inch	
6R	2		
7	2	 2862mm 112.7inch	
8	6	 1950mm 76.8inch	

CONNECT

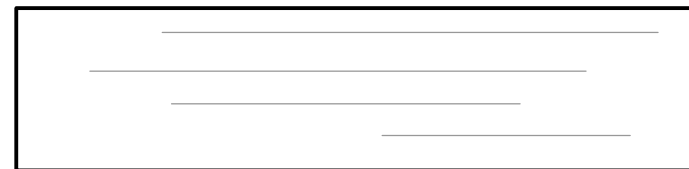
NO.	Qty.	
B1	12	
B2	6	
B5L	2	
B5R	2	
B6	6	
B7	2	
B8	12	
B9	1	
B10	2	
B11	2	
B12	2	

SCREW

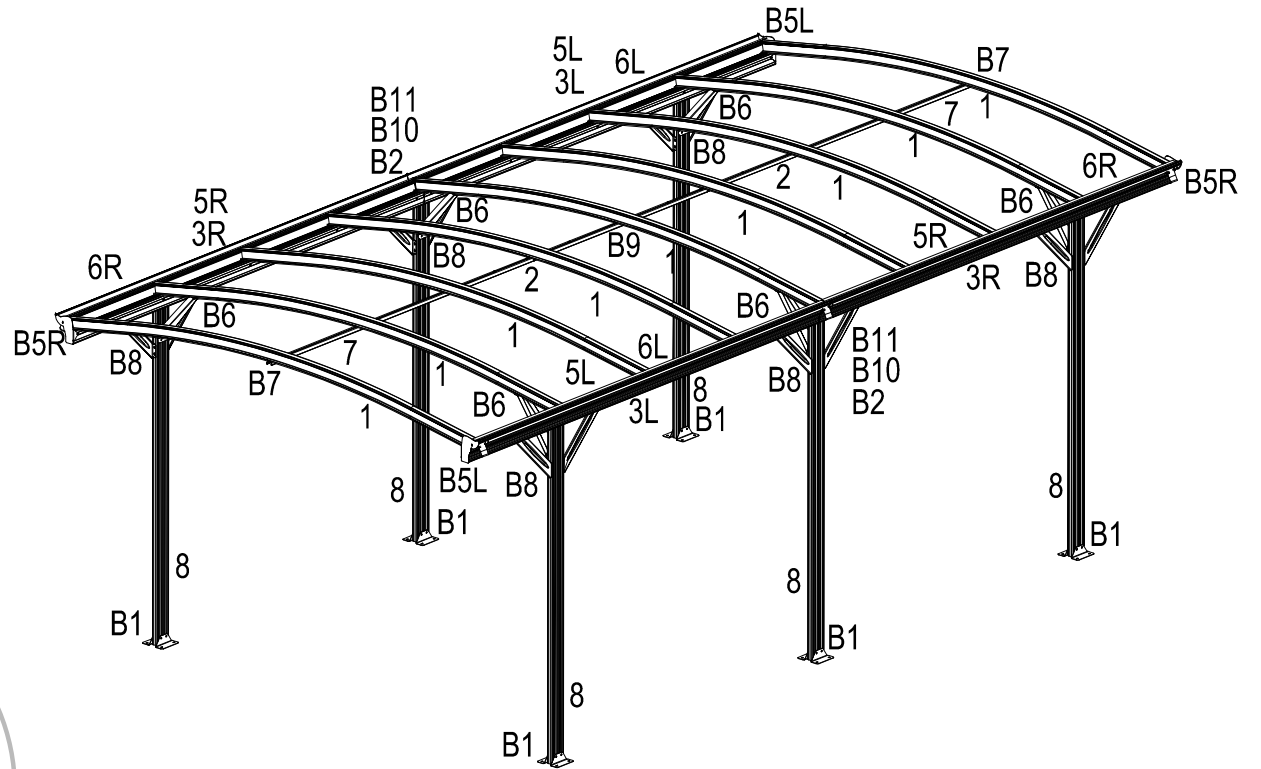
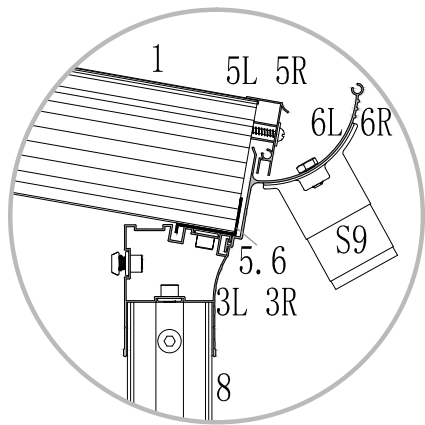
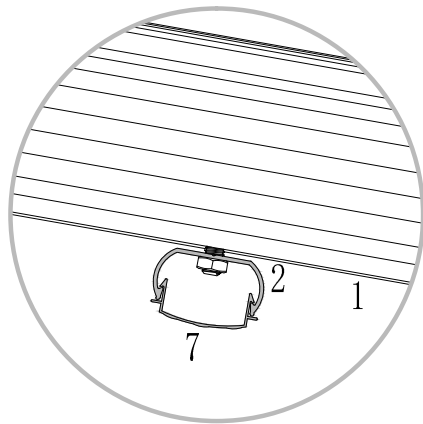
NO.	Qty.	
F1	18	5-40mm  T4.8(3/16)
F2	108	6-12mm  M6(15/64)
F3	8	5-13mm  T5(13/64)
F4	60	6-10mm  M4(5/32)
F9	33	6-12mm  M6(15/64)
F4-1	37	6mm  M6(15/64)
F4-2	12	6mm  M6(15/64)
F6	24	6-60mm  M8(5/16)
F7	4	4-12mm  M4(5/32)



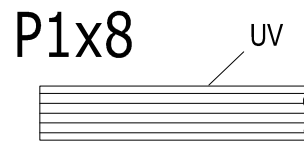
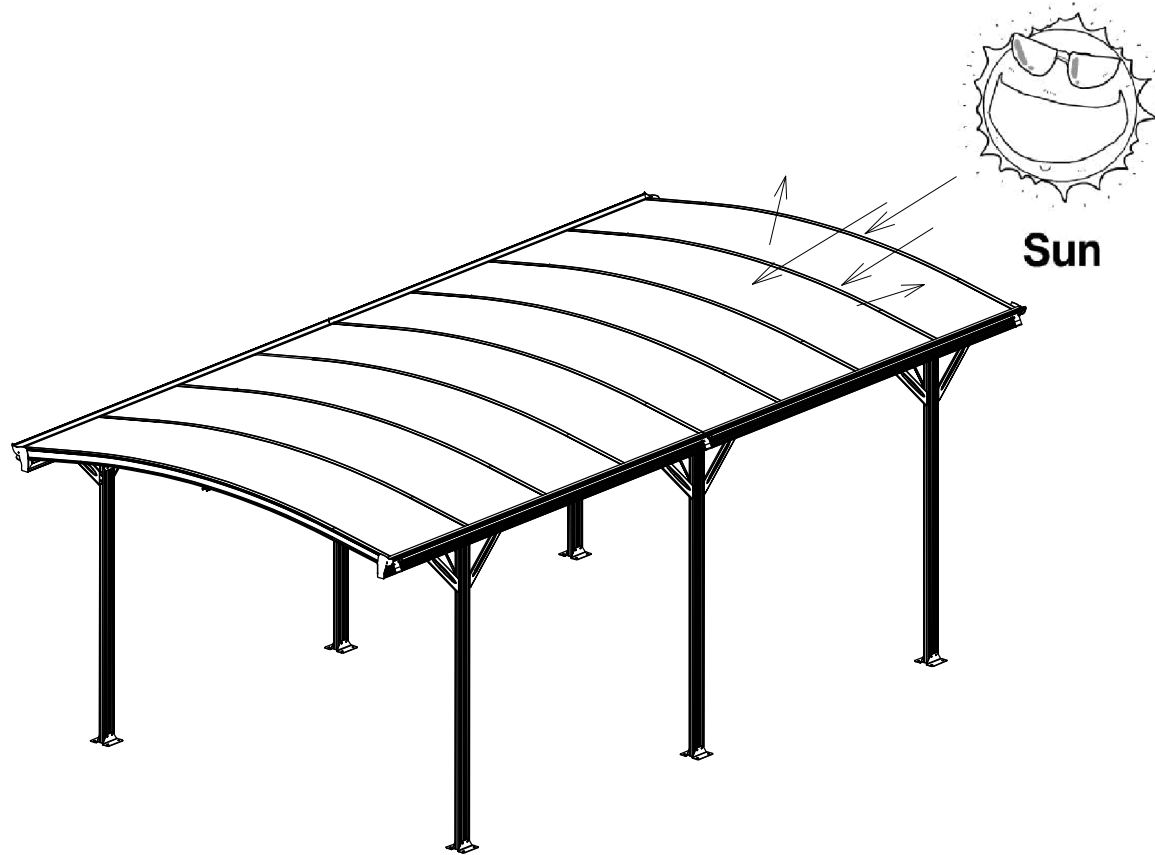
P1 x8



Schematic diagram of Aluminum frames



SUMMARY STATEMENT FOR POLYCARBONATE PANEL



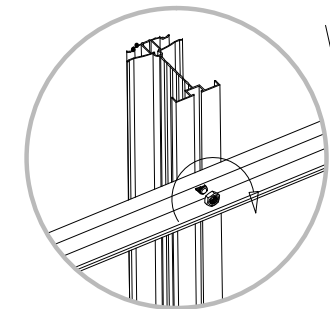
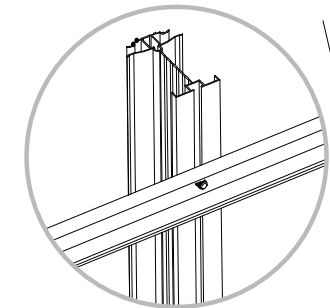
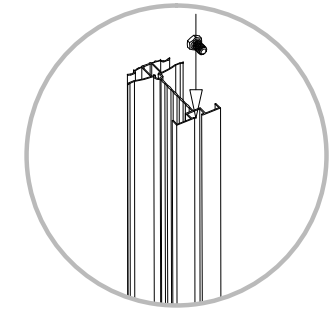
Face the white film side towards the sun as they are UV protected

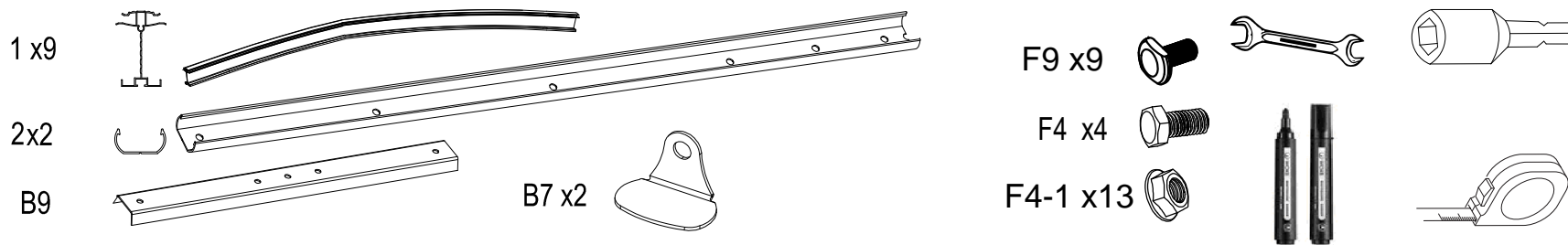
"hexagonal screw" installation

Place the "hexagonal screw" into the groove, turn clockwise until it stops turning.

Adjust the "hexagonal screw" by hand and twist so threads fix it in place.

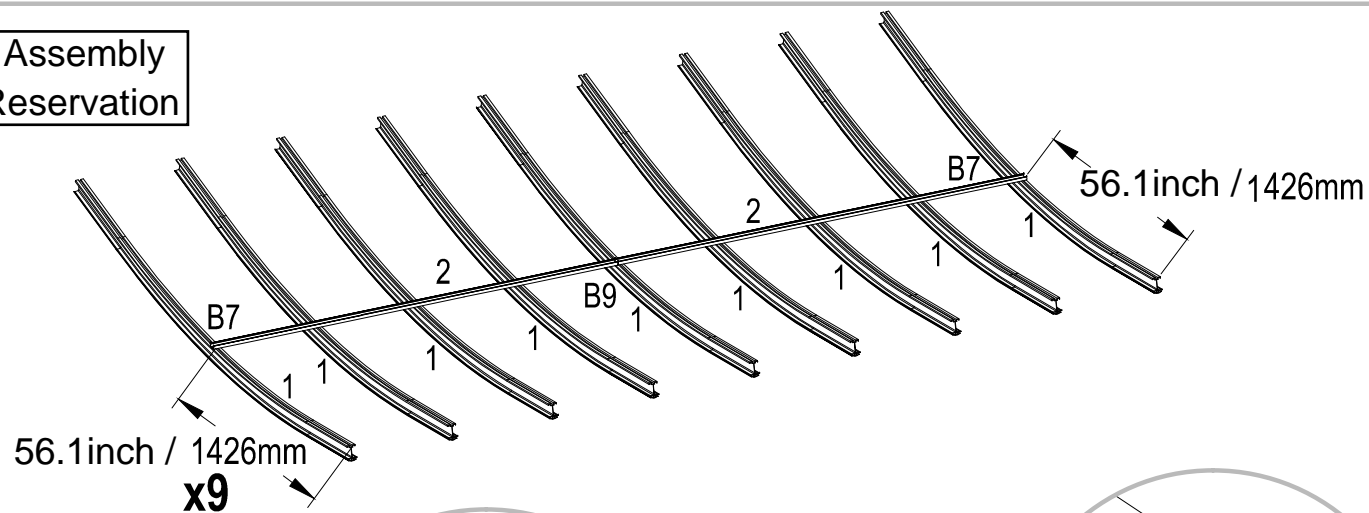
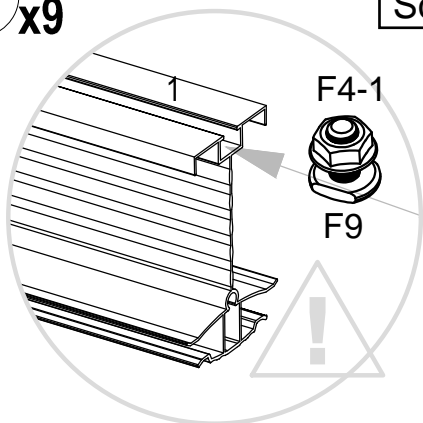
Place other parts on "hexagonal screw" and assemble nut .



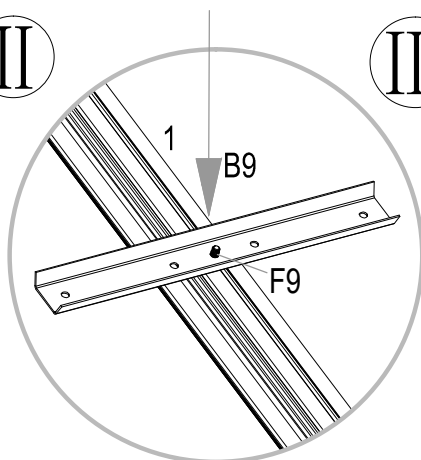


I x9

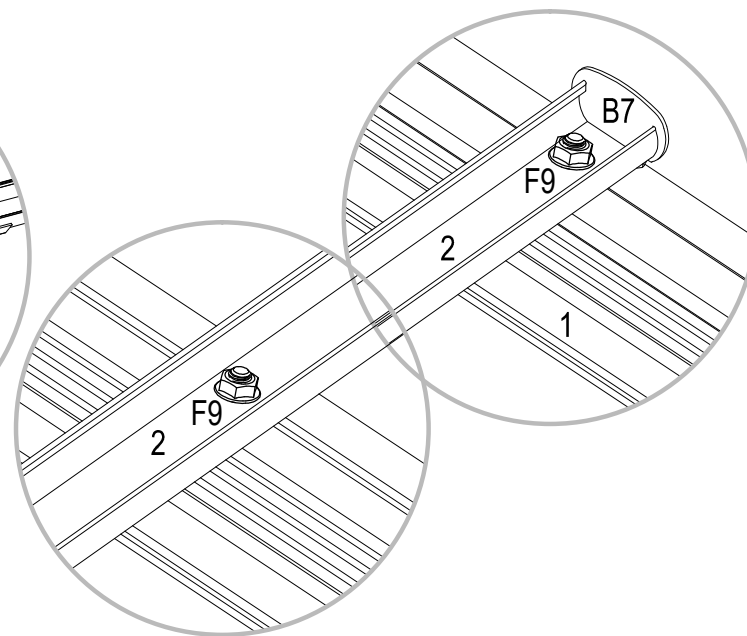
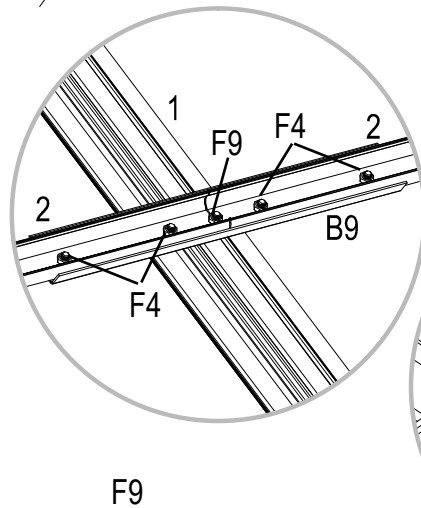
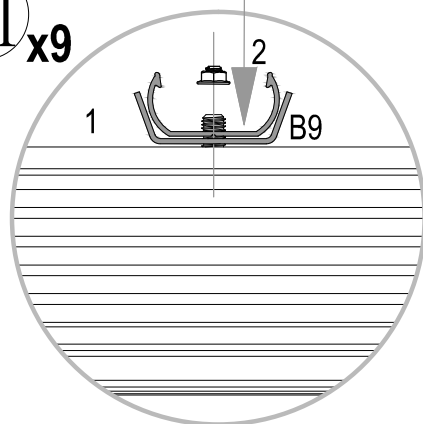
Skeleton Assembly
Screws Reservation

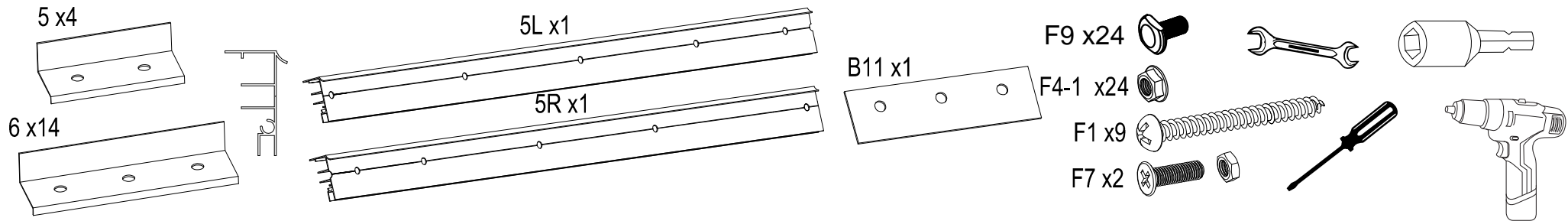


II



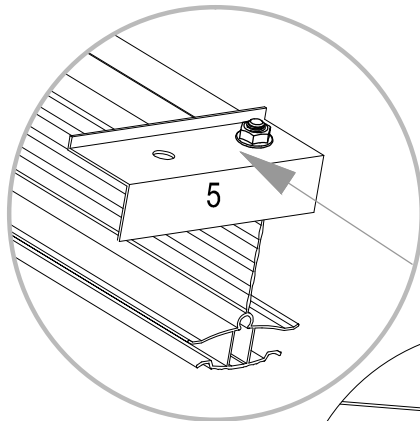
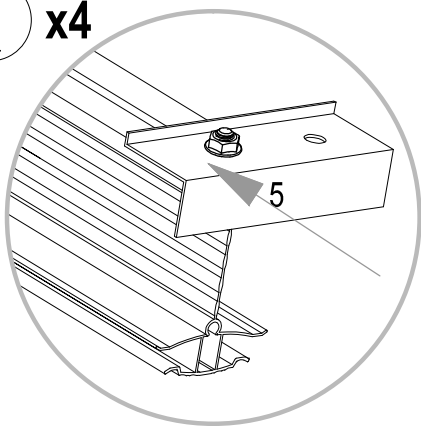
III x9



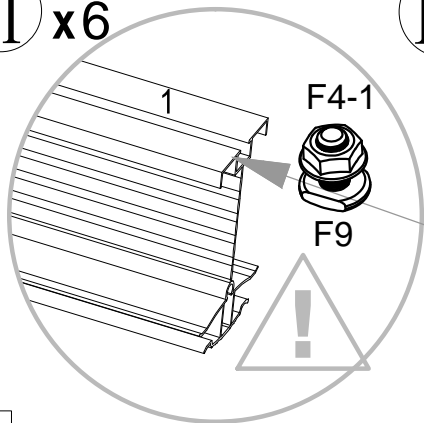


Roof Frame Installation

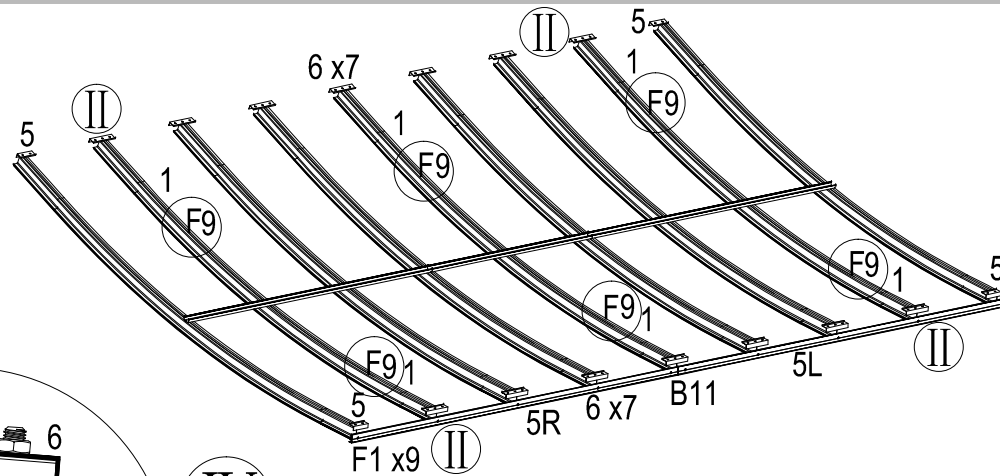
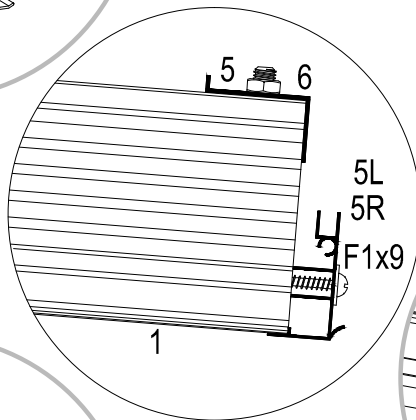
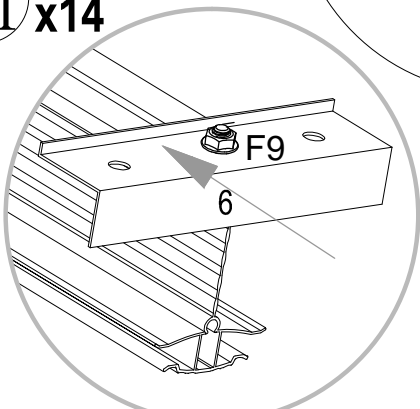
I x4



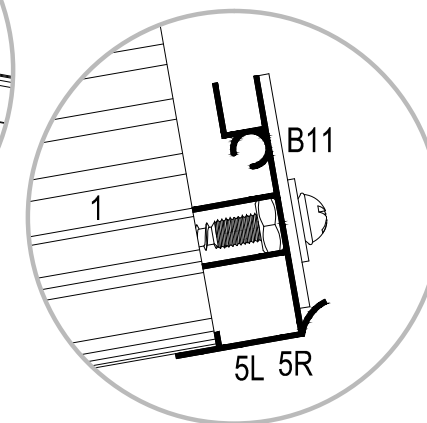
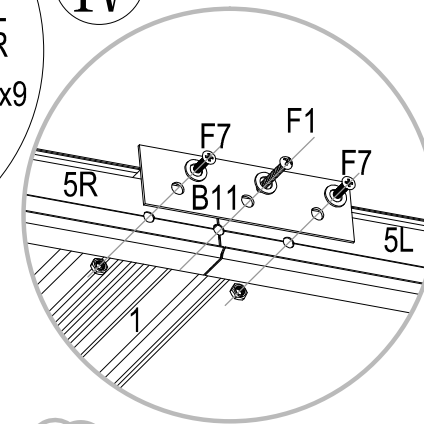
II x6



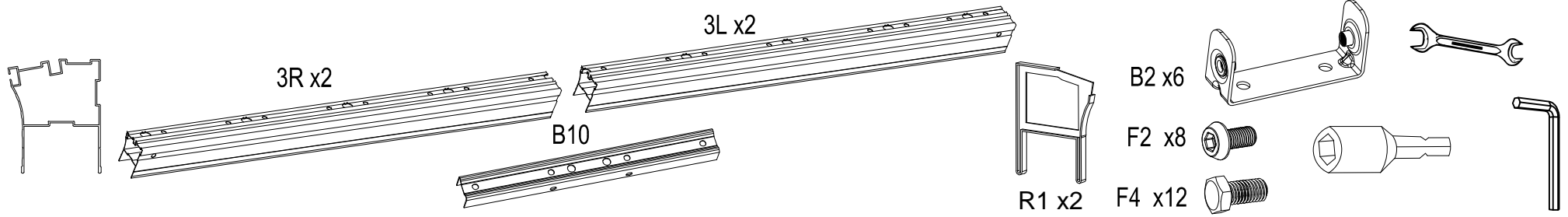
III x14



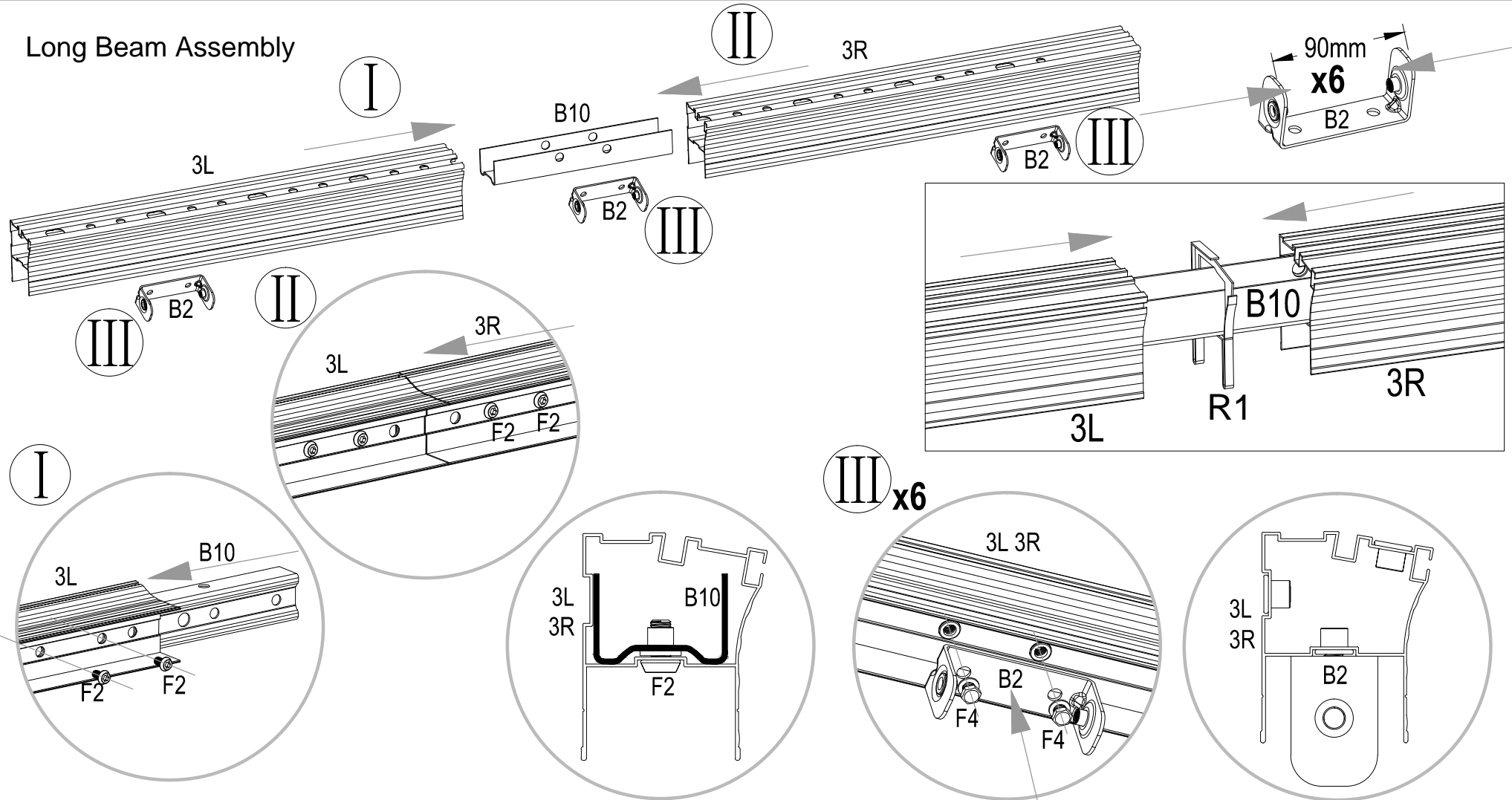
IV



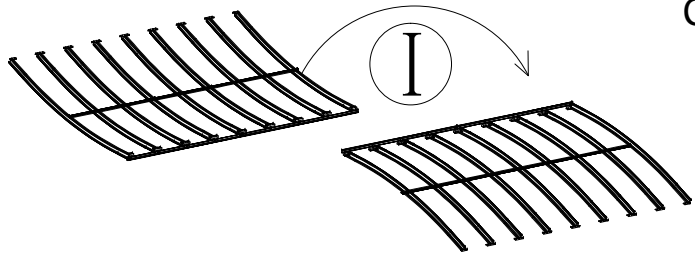
F1 will be easy to install by using lubricants



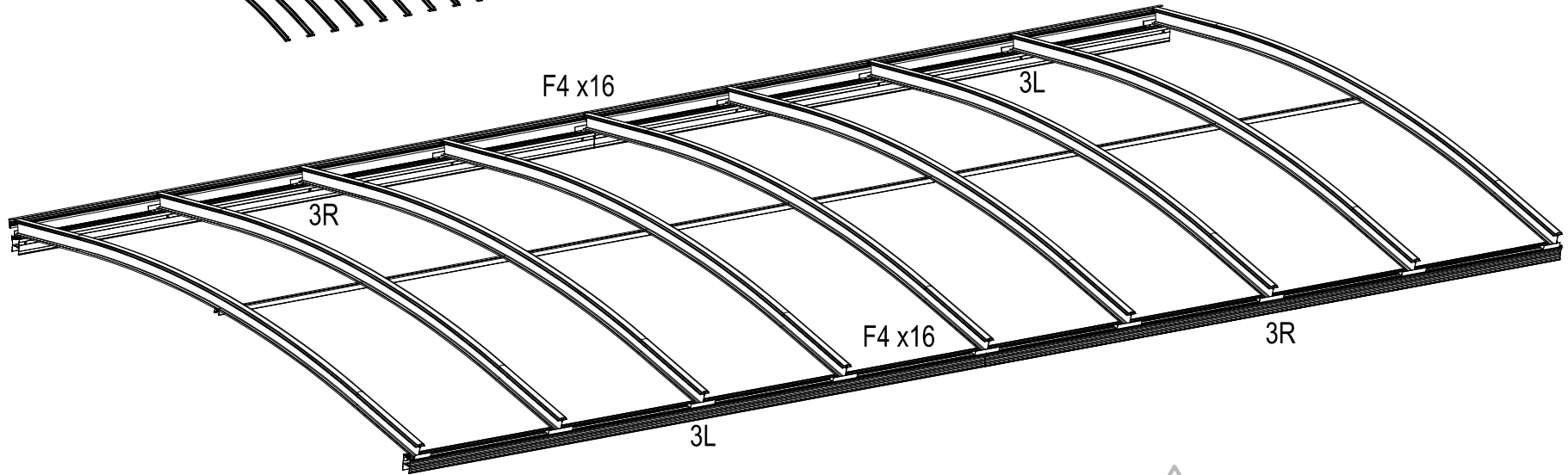
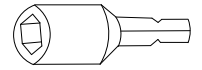
Long Beam Assembly



Connection between long beams and roof skeleton



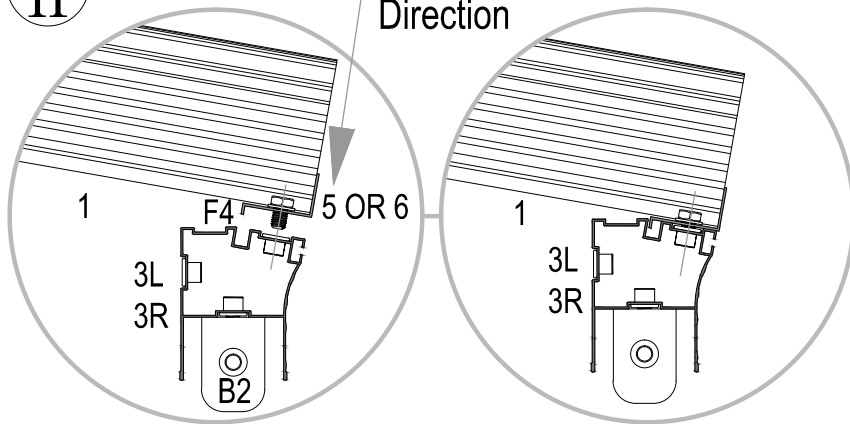
F4 x32



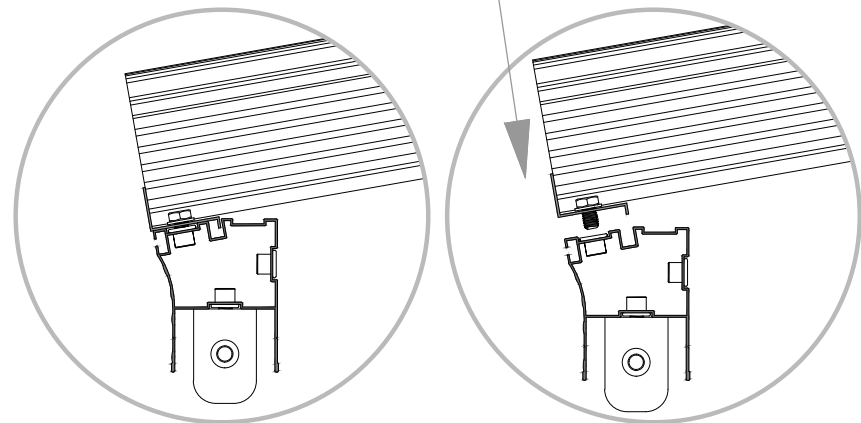
II



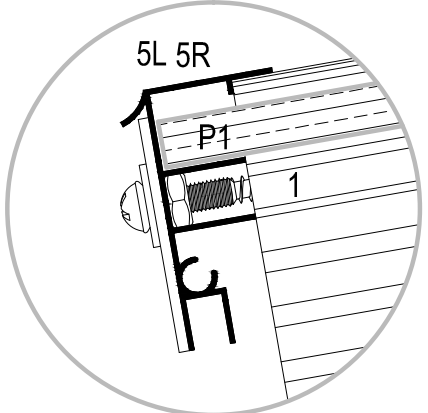
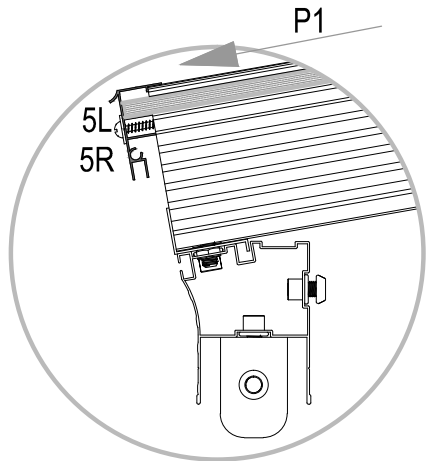
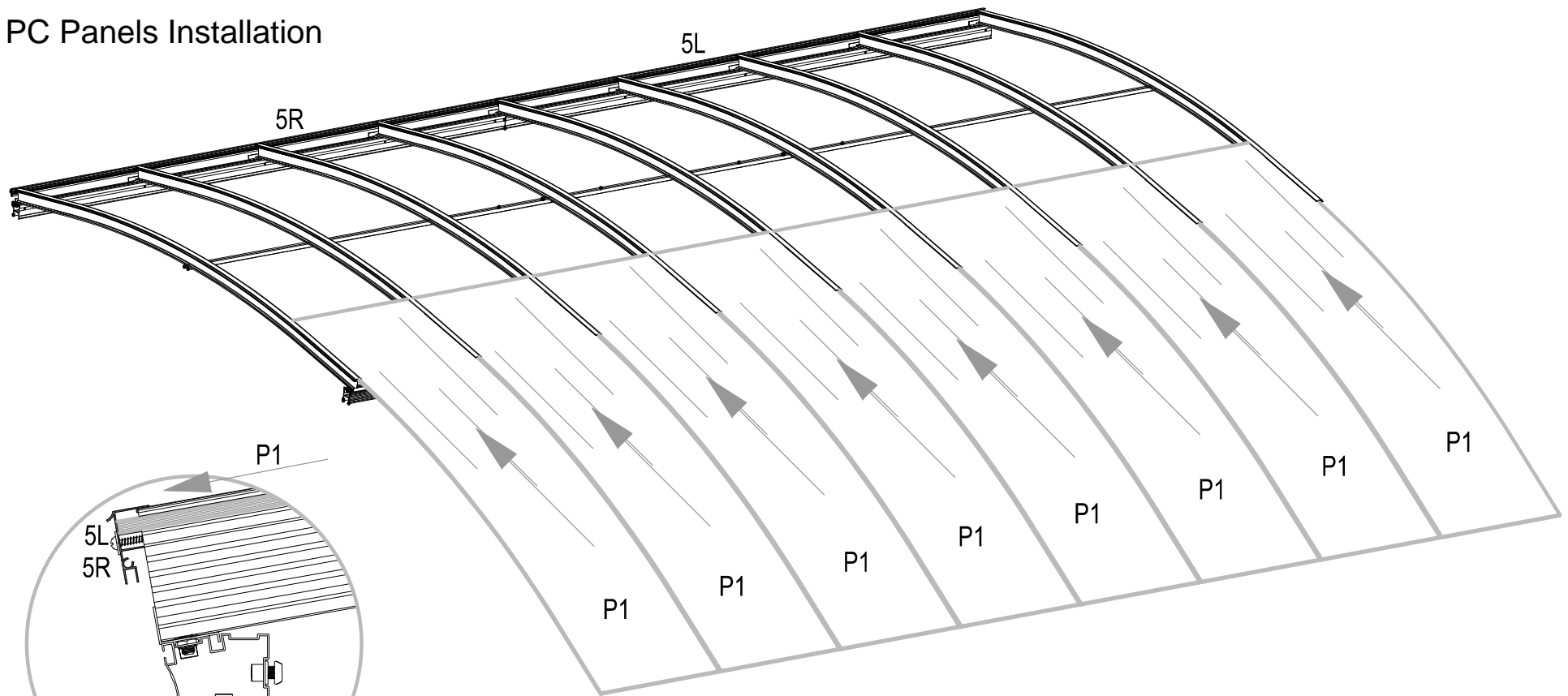
Direction

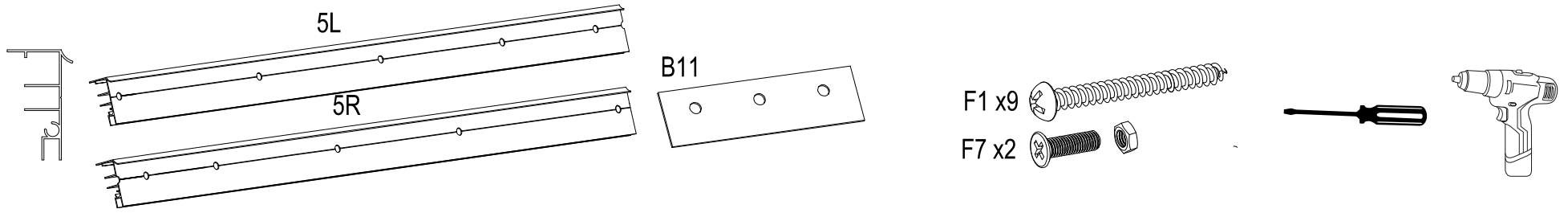


Direction

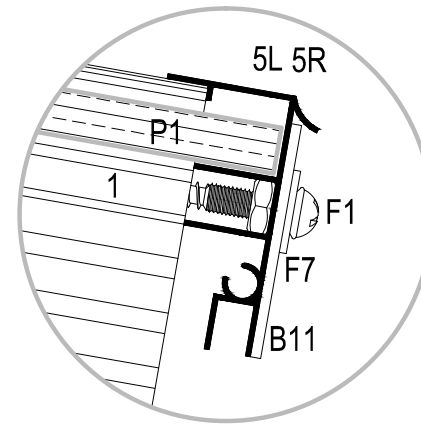
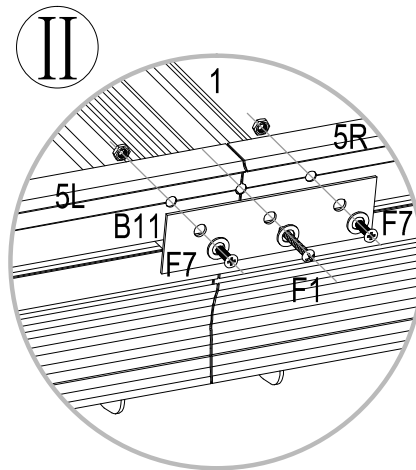
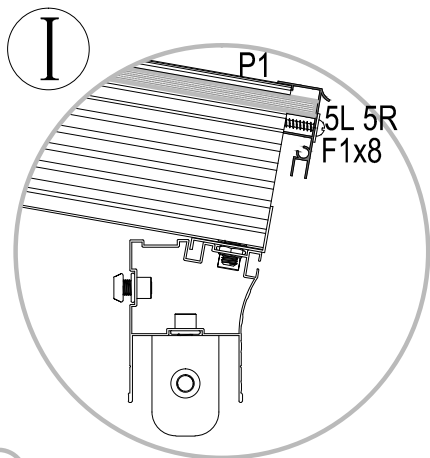
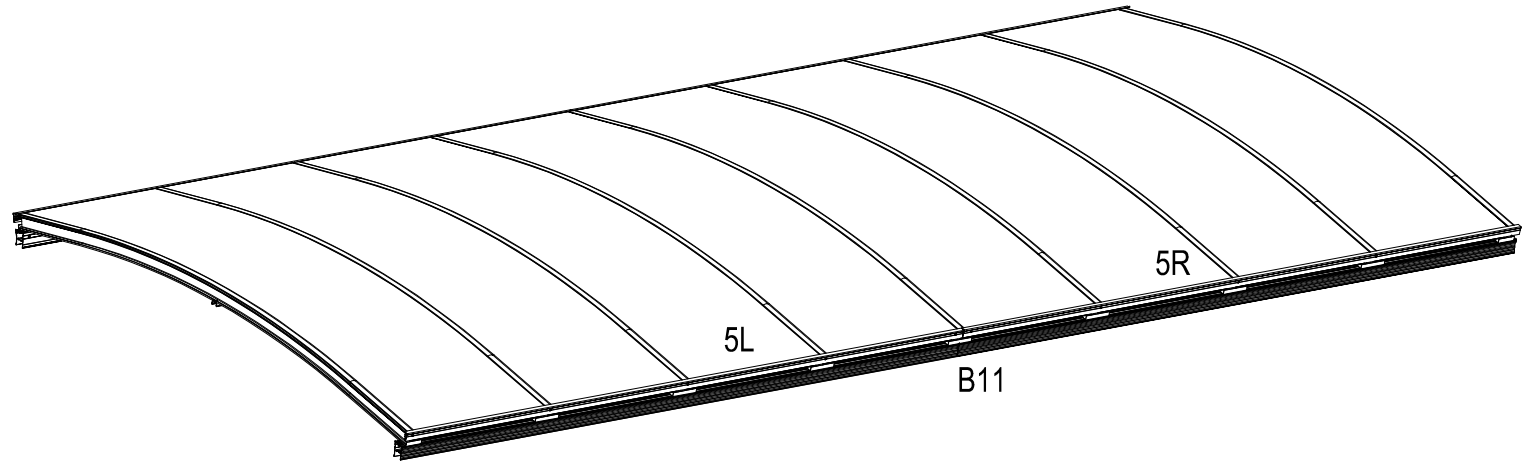


PC Panels Installation

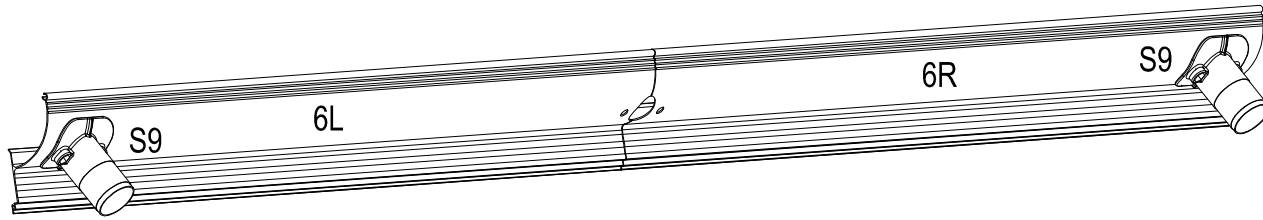
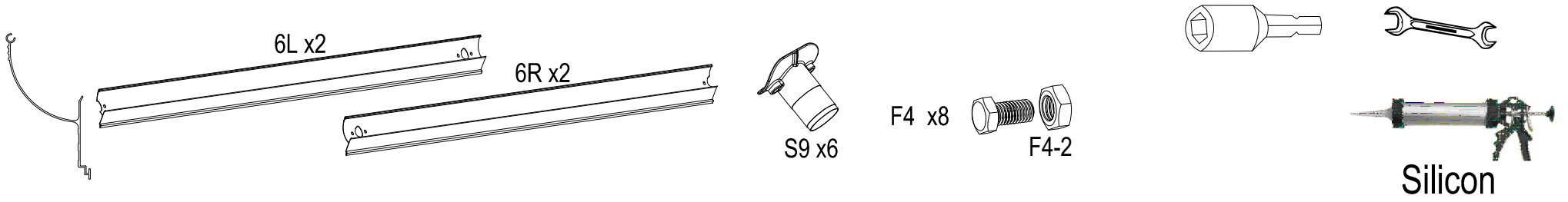




Frame stators and stoppers installation

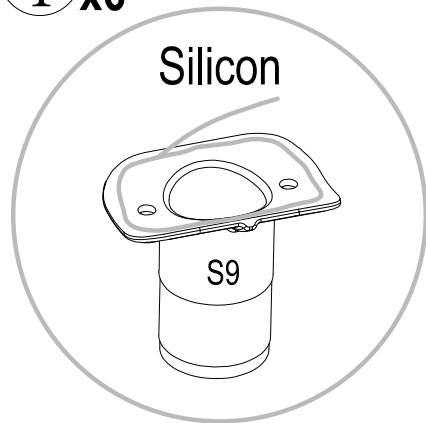


? F1 will be easy to install by using lubricants

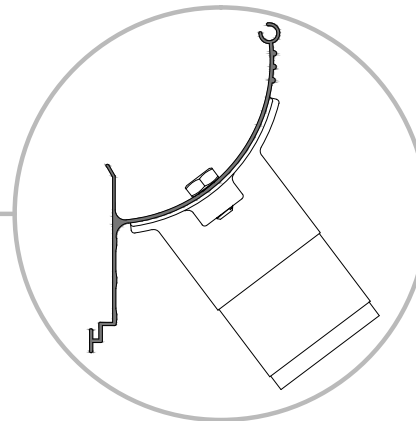
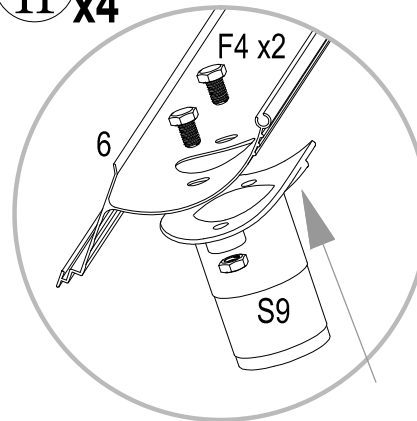


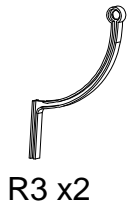
Eaves, water outlets Installation

I x6

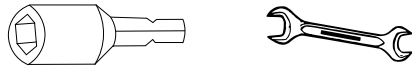
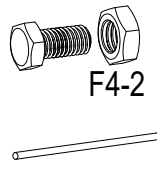


II x4

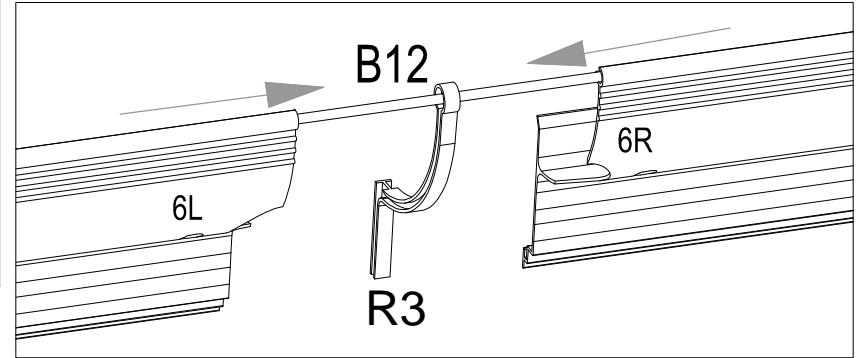




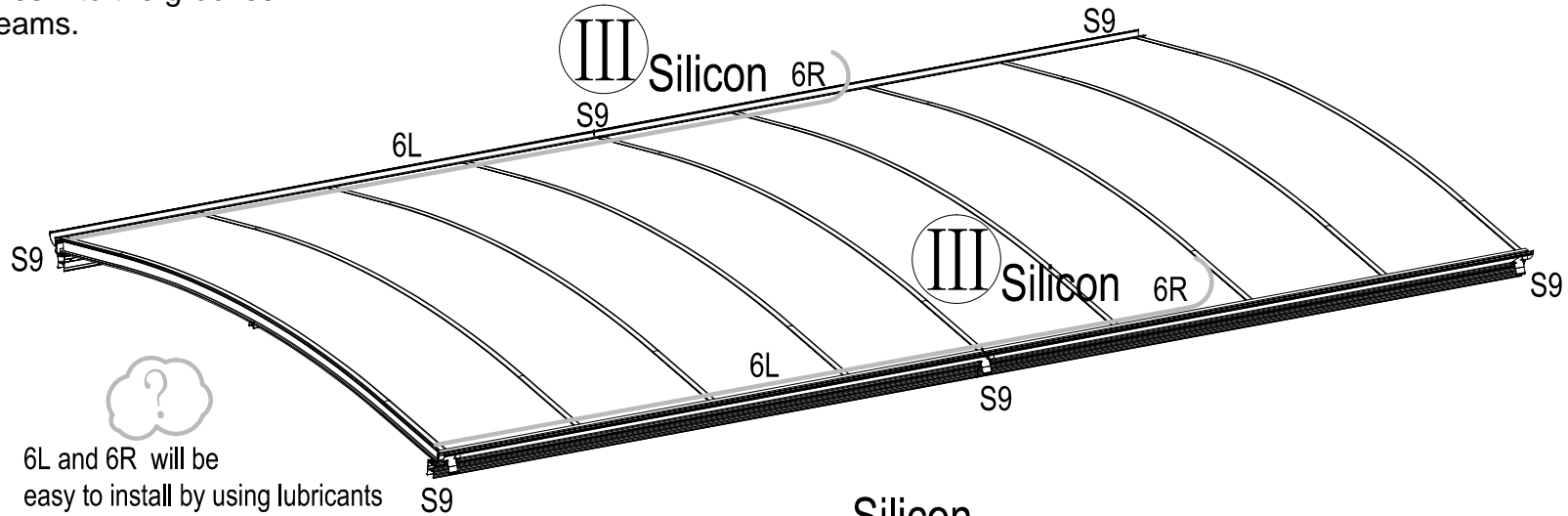
F4 x4
B12 x2



Silicon

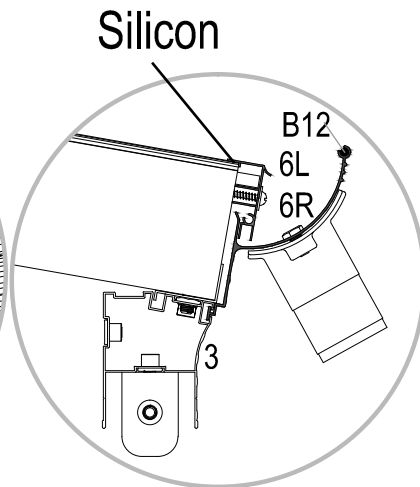
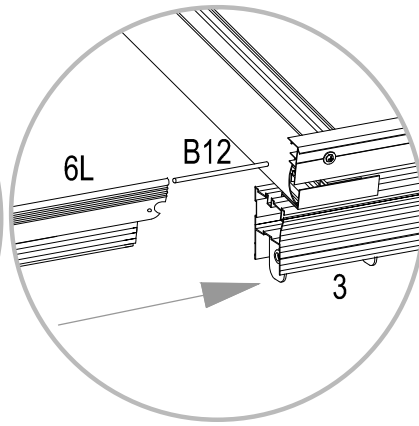
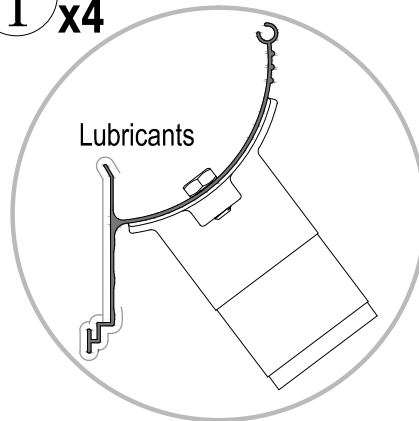


Insert the eaves into the grooves of the long beams.

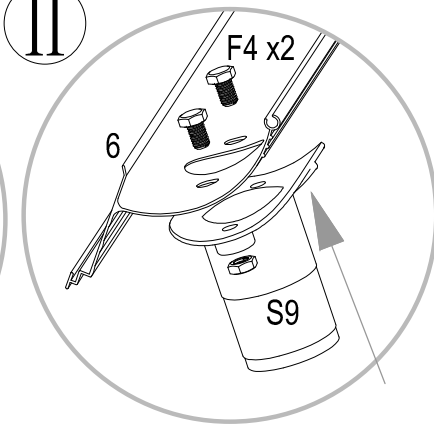


6L and 6R will be easy to install by using lubricants

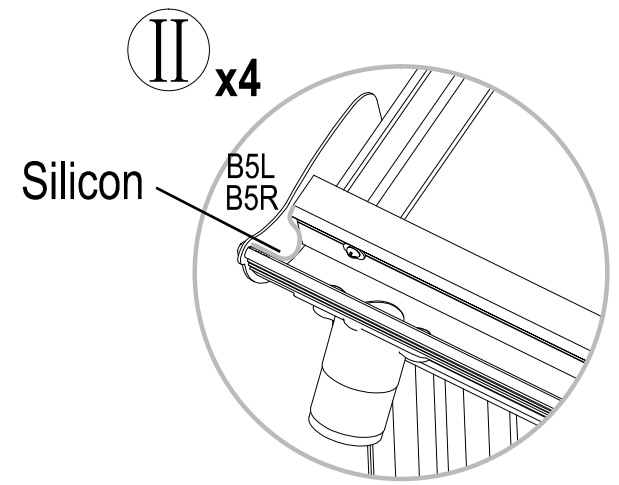
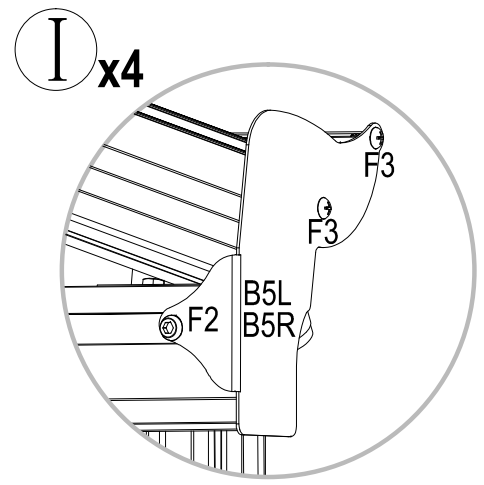
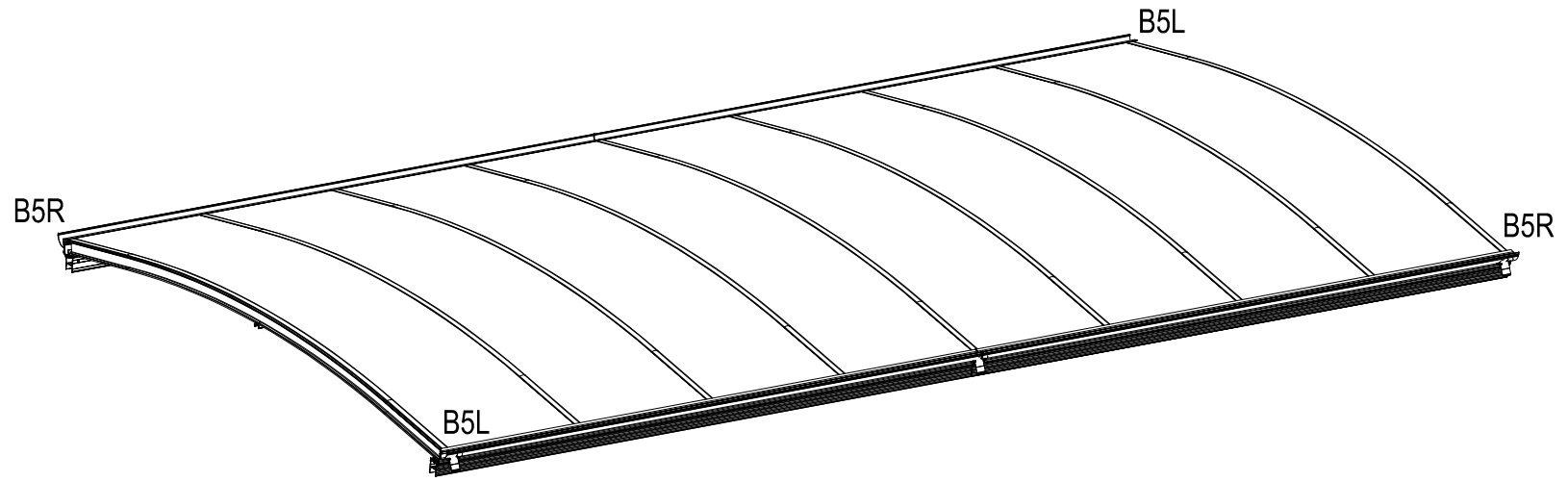
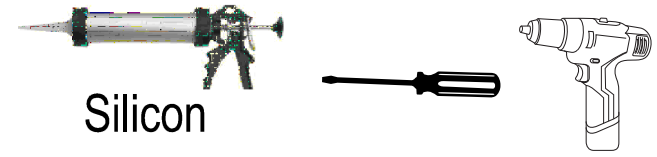
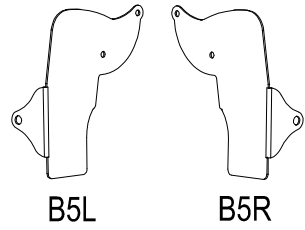
I x4

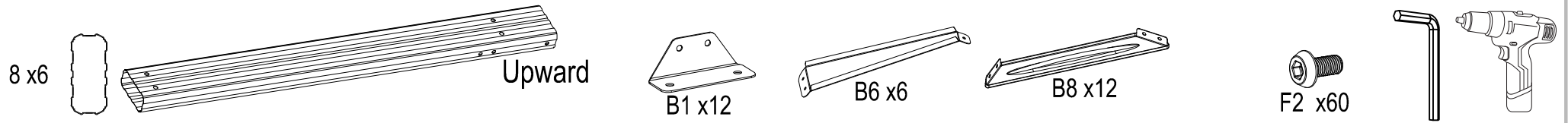


II

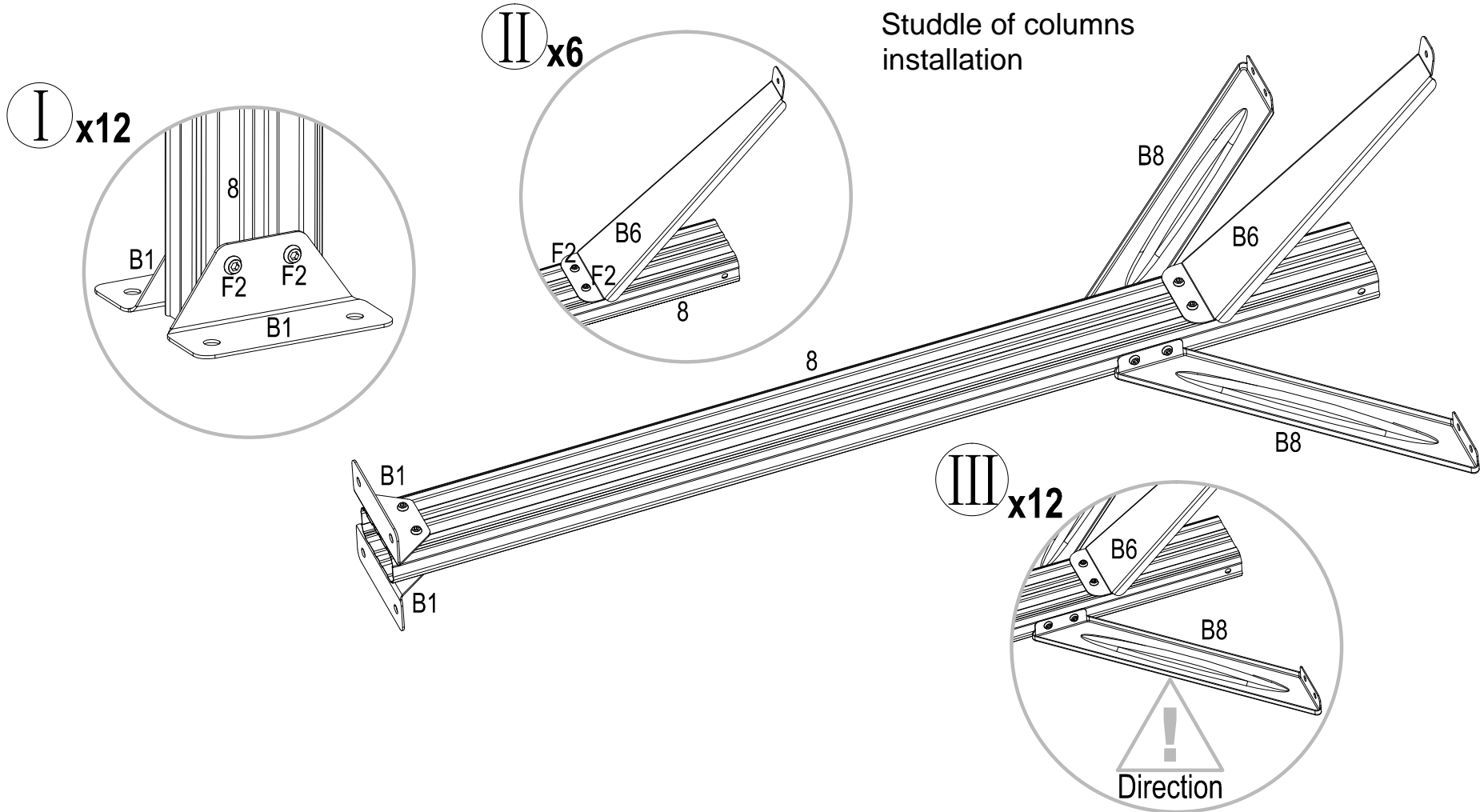


Caps of long beams
installation





Studdle of columns installation

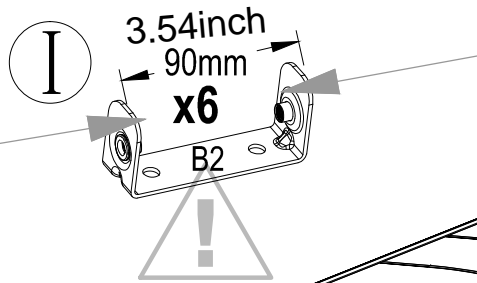
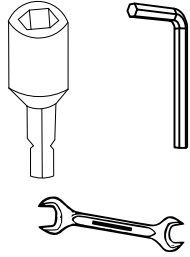
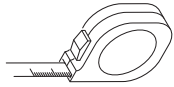


4-5 People

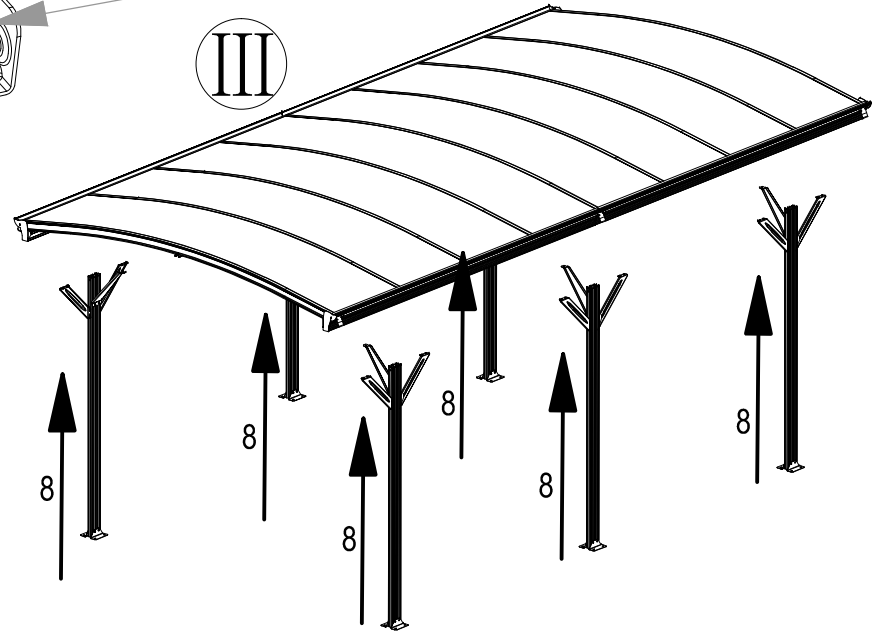
F2 x36



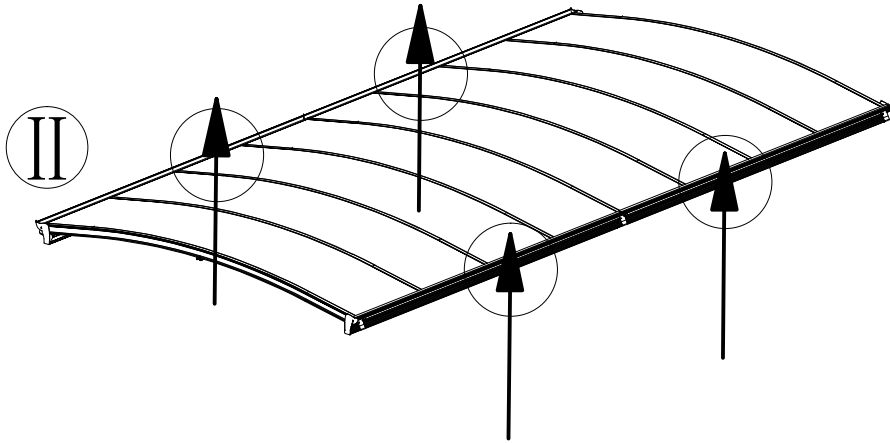
Team Work



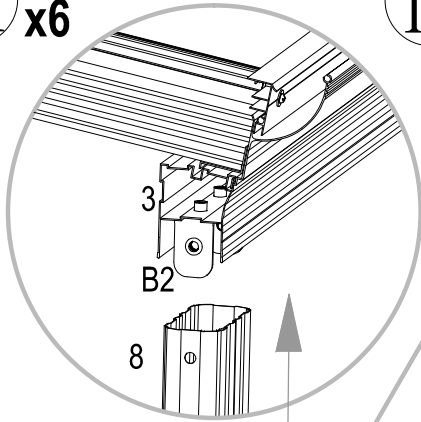
III



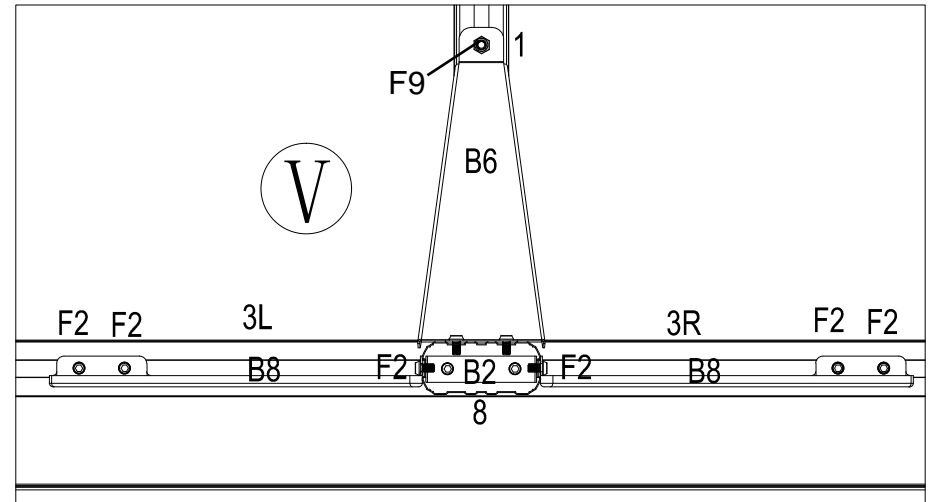
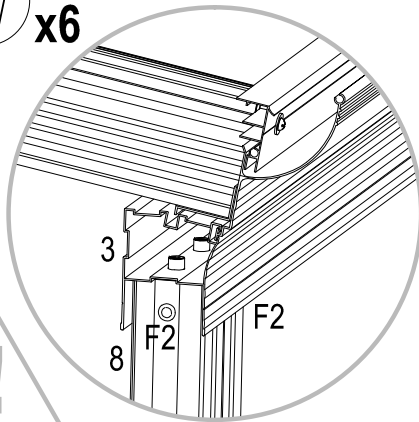
Columns Installation



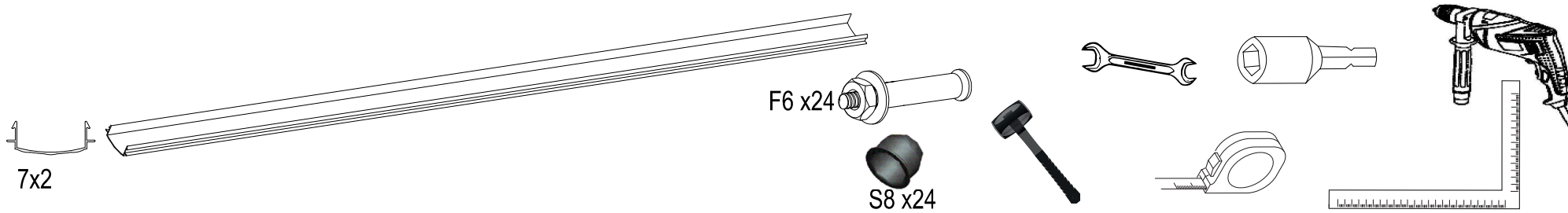
III x6



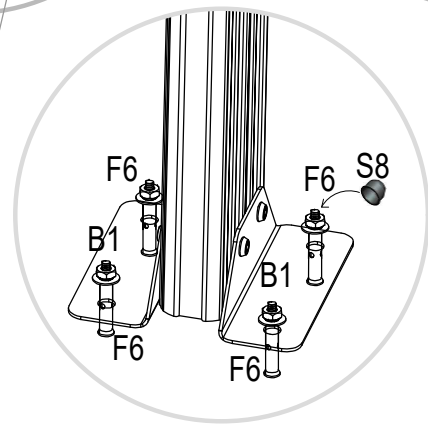
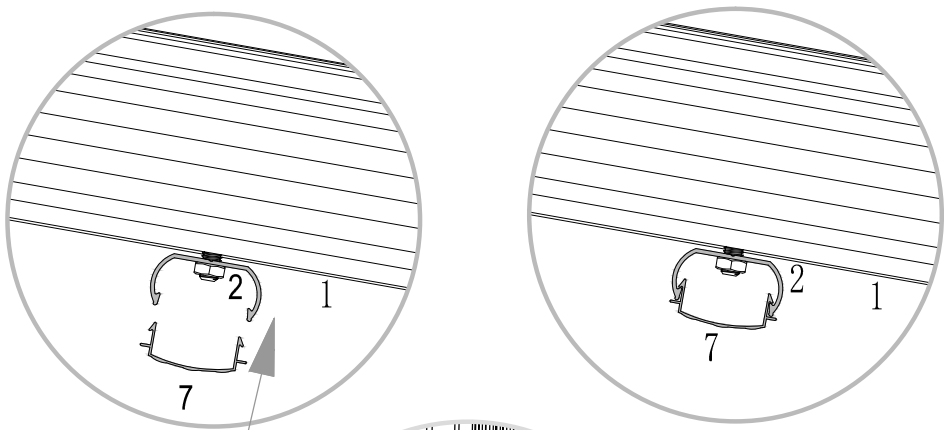
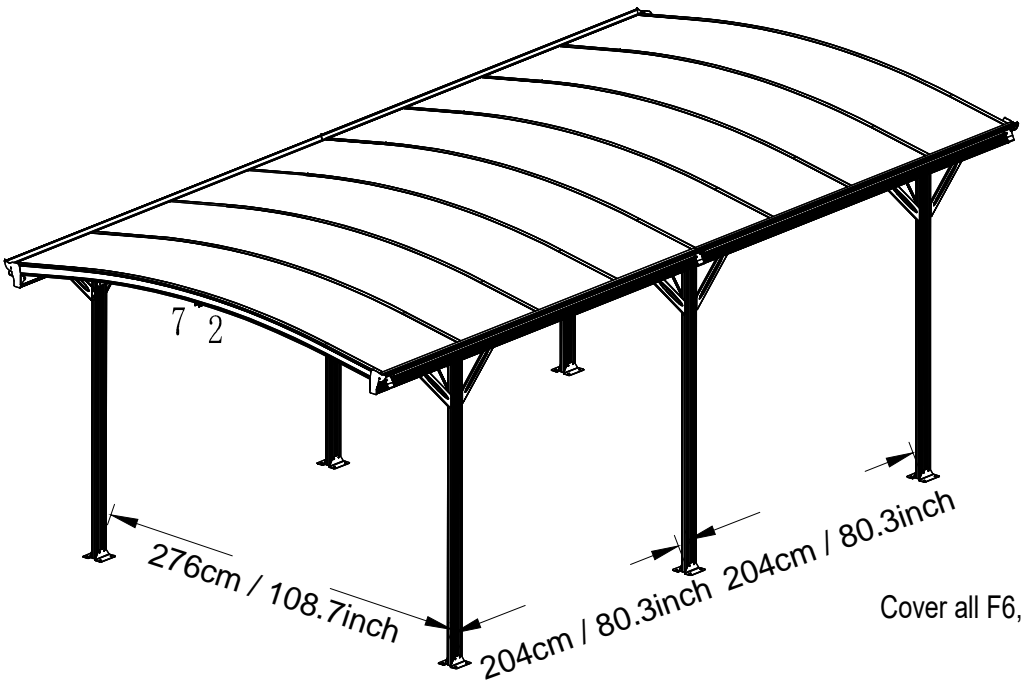
IV x6



顶拉装饰盖安装



Cover of roof studdle installation



Cover all F6, tapping it with wooden hammer ensure it will not fall off.

Maintenance:

- 1.If the ground is not level, the unit may tilt to one side. If you find this is the case, please fix immediately to avoid damage.
- 2.Please prevent adding any increased weight to the product.
- 3.Avoid any vine/climbing plants, fruits, or vegetables from growing on the canopy as to not compromise the structure and durability of the product. If the structure is compromised, it can easily cause the frame to crack, break, or collapse.

PC Panel Maintenance:

- 1.When using the product, please do not use sharp objects on collision films to avoid cuts. Be careful not to have a sharp object touch the film as it may scratch.
- 2.If films rupture, you may use glue to repair or use transparent tape. Polyurethane adhesive is also available for repairs.
- 3.Clean films regularly to keep the light transmittance as clear as possible.
- 4.The boards/panels have flame retardant polycarbonate material applied to them and is recommended to keep away from fire to avoid softening or deformation.

Frame Maintenance:

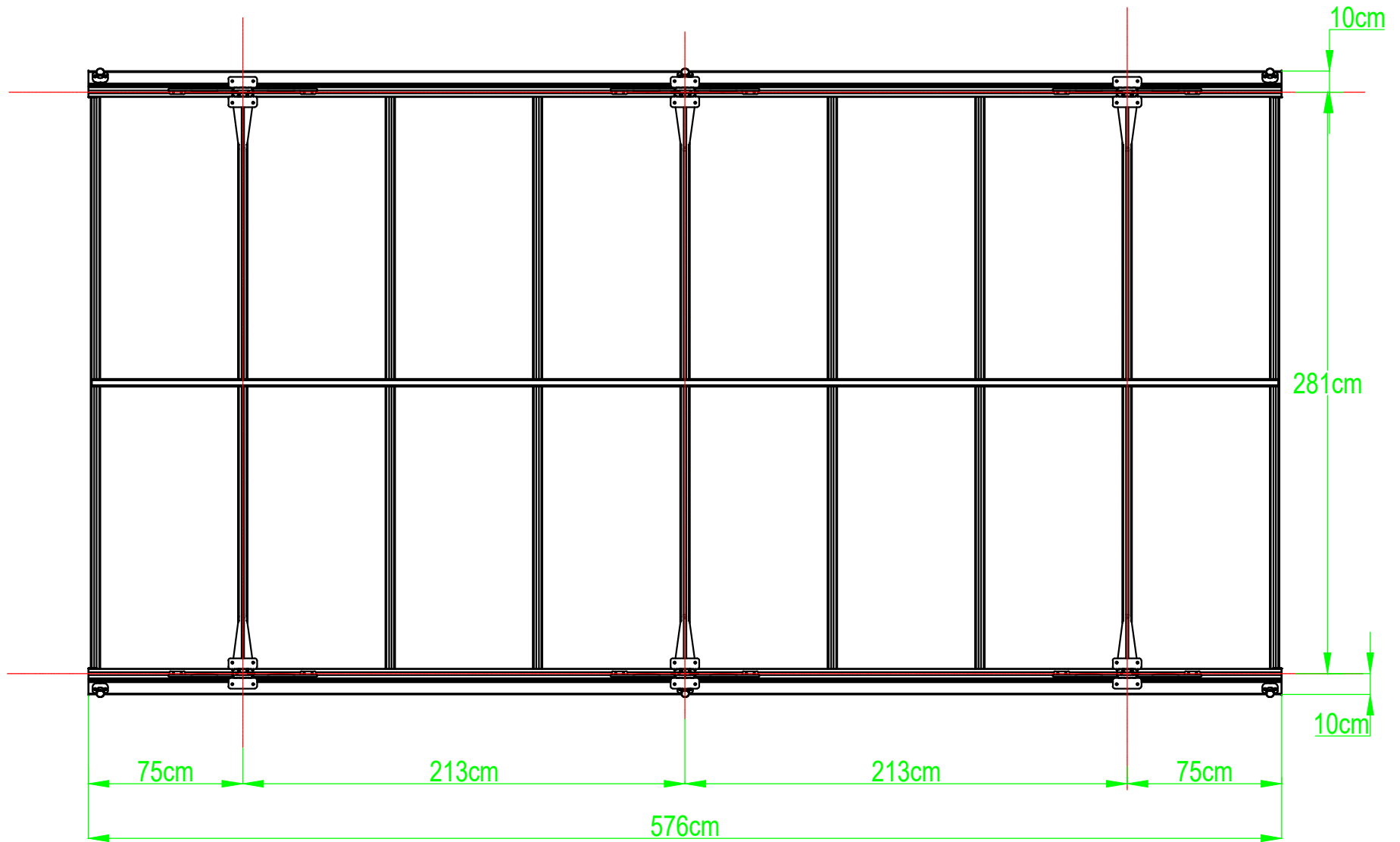
- 1.The frames are made of aluminum alloy structure. If white spots or dirt is shown, please wipe with a wet cloth. White spots are normal in a wet/warm environment.
- 2.If there is any distorting with the calibration, please fix immediately. Any distortion can cause the skylight to fall. Please refer to the instruction manual for repairs.
- 3.If any connection piece rusts, change out the screws to ensure the connection part is firm and stable.

Weather Protection:

- 1.WARNING: If there is lightening, do not stay in or under the product. The frames are constructed of aluminum alloy, which is conductive, and may cause serious damage.
- 2.When wind power reaches 40mph or above, you may need to set up defense equipment and fix the shed walls. To fix the walls, use a strong rope or cable and connect to the four angles of the anchors with a block inserted into the soil or tied to a nearby tree at least 4in.in diameter. When wind decreases, please remove safety measures of ropes.
- 3.Clear any leaves on top of canopy to reduce heat preservation.
- 4.During snowy months, please remove any snow from pavilion to avoid any walls or roofs from collapsing.

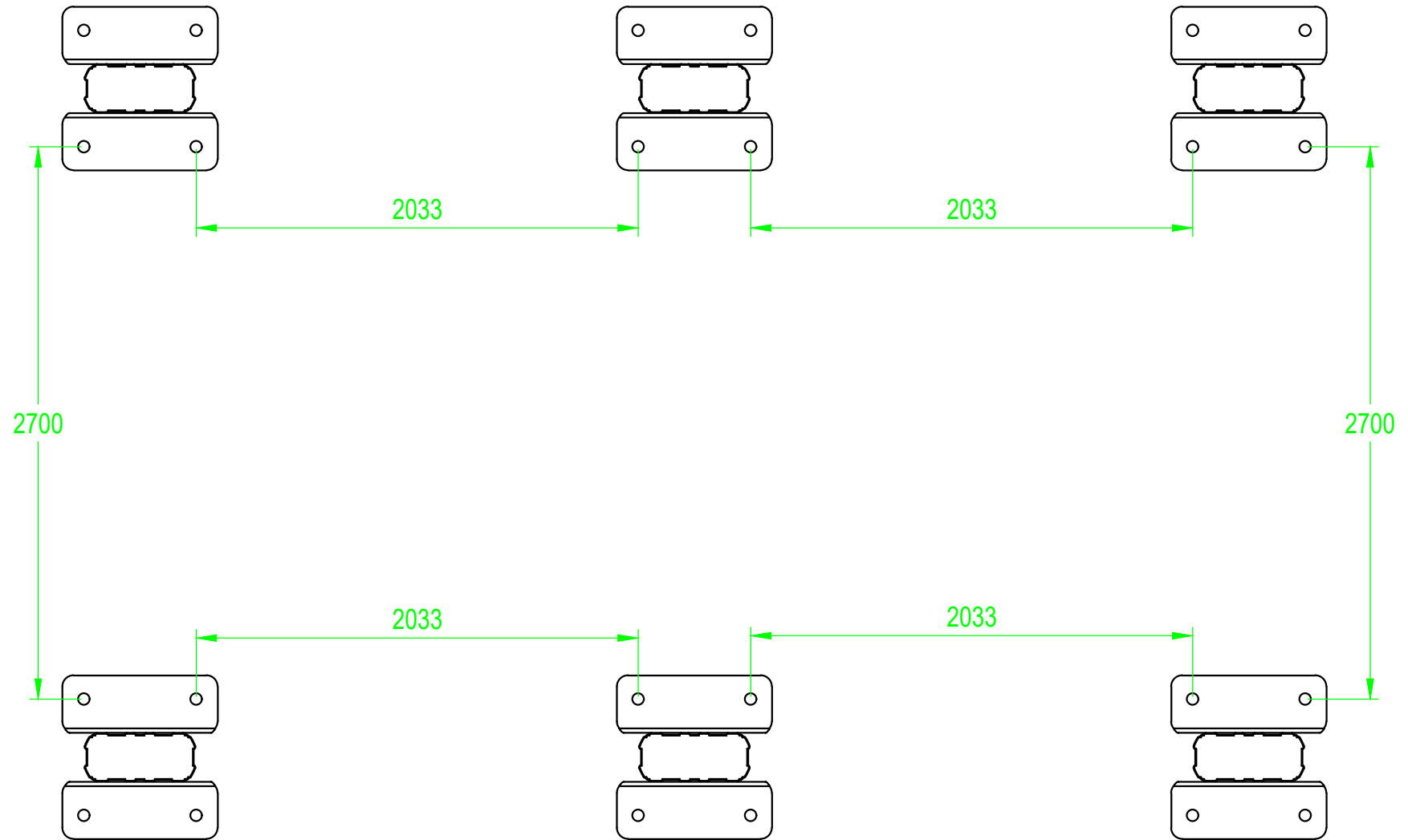
Overall Dimension Figure

1:20 cm



Installation Dimension Figure for Feet

mm
1:20



Foot Dimension Figure for Fixation

