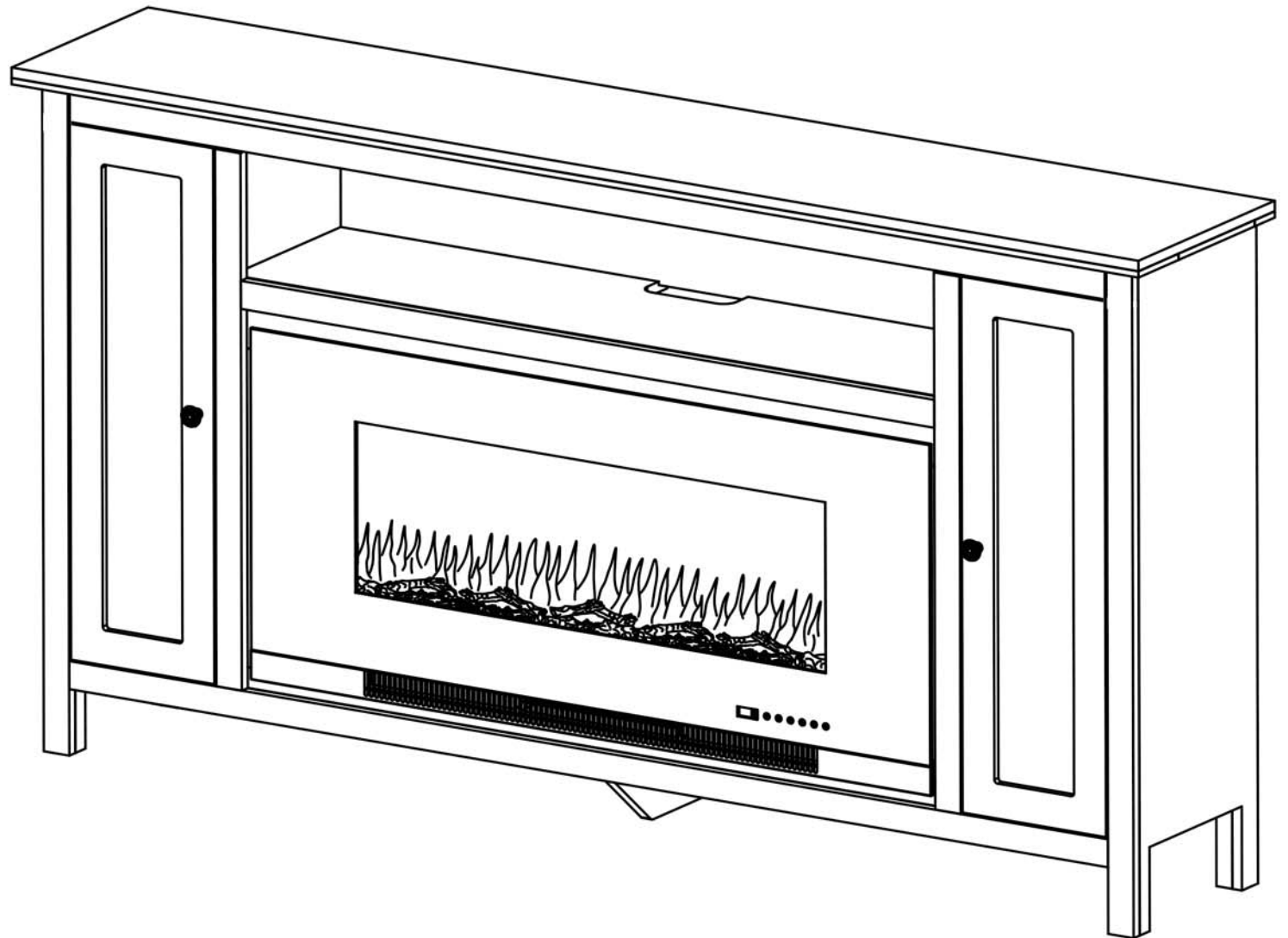
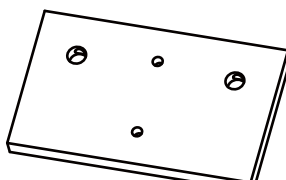
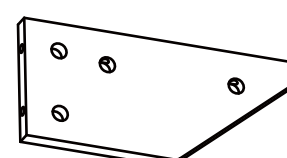
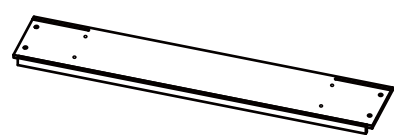
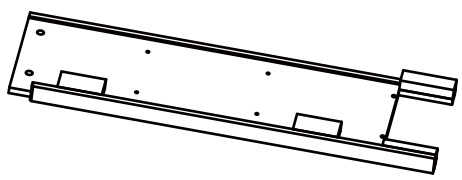
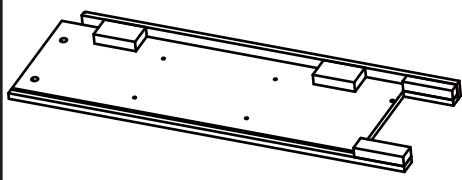
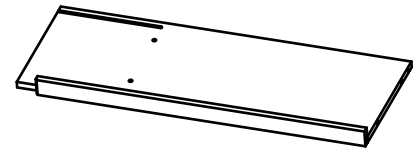
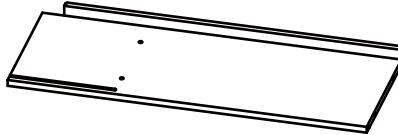
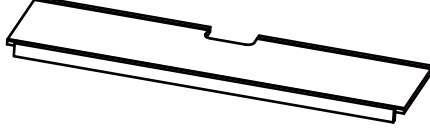
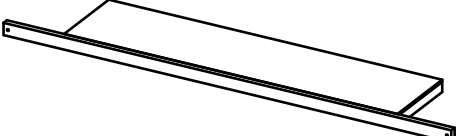

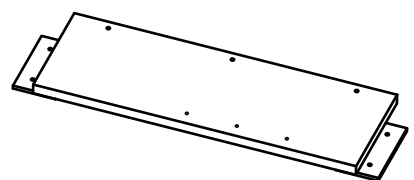
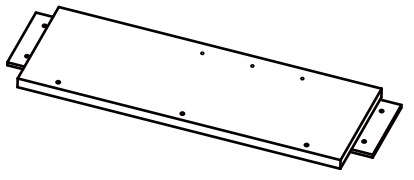
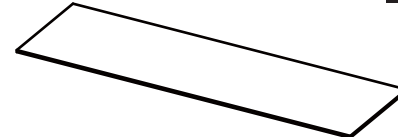
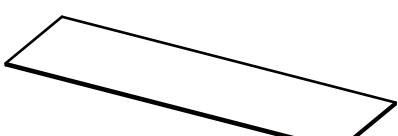

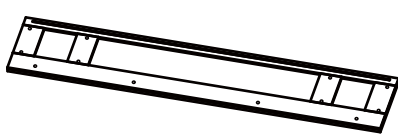

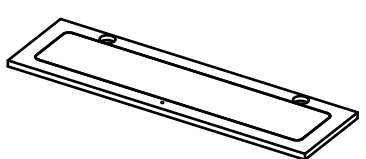


MANTEL

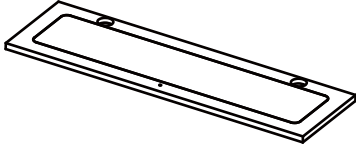
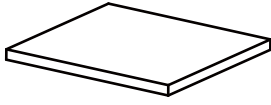
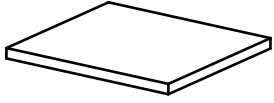
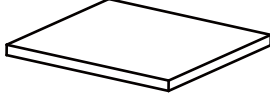
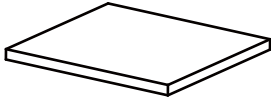
X6938-1BLK X6938-1GRY
X6938-1MAH X6938-1WHT








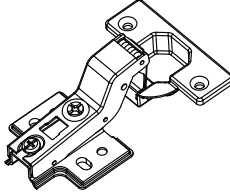



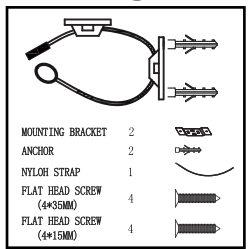















PACKAGE CONTENTS

 <p>A</p>	 <p>B</p>	 <p>C</p>
 <p>D</p>	 <p>E</p>	 <p>F</p>
 <p>G</p>	 <p>H</p>	 <p>I</p>
 <p>J</p>	 <p>K</p>	 <p>L</p>
 <p>M1</p>	 <p>M2</p>	 <p>N</p>
 <p>O</p>	 <p>P</p>	 <p>Q1</p>

PACKAGE CONTENTS

 <p>Q2</p>	 <p>R1</p>	 <p>R2</p>
 <p>R3</p>	 <p>R4</p>	

HARDWARE CONTENTS

<p>AA</p>  <p>Bolt Qty. 30</p>	<p>BB</p>  <p>Metal Connector Qty. 30</p>	<p>CC</p>  <p>Screw M4x25 Qty.12</p>	<p>DD</p>  <p>Screw M4x16 Qty.32</p>	<p>EE (Only for fire box)</p>  <p>Screw M4x12 Qty.6</p>															
<p>FF</p>  <p>Cabinet Door Hinge Qty.4</p>	<p>GG</p>  <p>Handle Qty.2</p>	<p>HH</p>  <p>Screw M4*18 Qty.2</p>	<p>II</p>  <p>Shelf Pin Qty.16</p>	<p>SS</p>  <table border="0"> <tr> <td>MOUNTING BRACKET</td> <td>2</td> <td></td> </tr> <tr> <td>ANCHOR</td> <td>2</td> <td></td> </tr> <tr> <td>NYLON STRAP</td> <td>1</td> <td></td> </tr> <tr> <td>FLAT HEAD SCREW (4*35MM)</td> <td>4</td> <td></td> </tr> <tr> <td>FLAT HEAD SCREW (4*15MM)</td> <td>4</td> <td></td> </tr> </table> <p>Safety Chain Qty. 1</p>	MOUNTING BRACKET	2		ANCHOR	2		NYLON STRAP	1		FLAT HEAD SCREW (4*35MM)	4		FLAT HEAD SCREW (4*15MM)	4	
MOUNTING BRACKET	2																		
ANCHOR	2																		
NYLON STRAP	1																		
FLAT HEAD SCREW (4*35MM)	4																		
FLAT HEAD SCREW (4*15MM)	4																		

PACKAGE CONTENTS

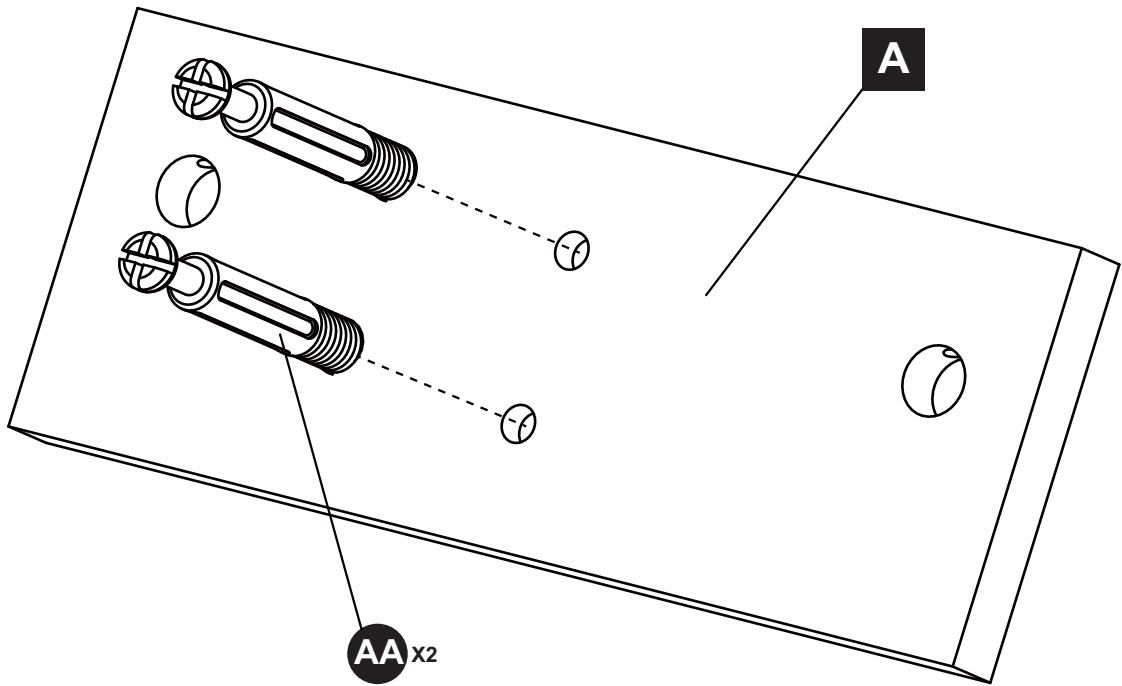
PART	DESCRIPTION	QTY.	PART NO.
A	Base Across Panel	1	
B	Base Erect Panel	1	
C	Bed Plate	1	
D	Left Side Panel	1	
E	Right Side Panel	1	
F	Left Inner Panel	1	
G	Right Inner Panel	1	
H	Inner Panel	1	
I	Lower Back Panel	1	
J	Top Trim Panel	1	
K	Left Trim Panel	1	
L	Right Trim Panel	1	
M1	Left Back Panel	1	
M2	Right Back Panel	1	
N	BACK Panel	1	
O	Top Panel	1	
P	Top Shelf	1	
Q1	Door	1	
Q2	Door	1	
R1	Adjustbale Shelf	1	
R2	Adjustbale Shelf	1	
R3	Adjustbale Shelf	1	
R4	Adjustbale Shelf	1	
AA	Bolt	30	
BB	Metal Connector	30	
CC	M4x25 Screw	12	
DD	M4x16 Screw	32	
EE	M4x12 Screw	6	
FF	Cabinet Door Hinge	4	
GG	Handle	2	
HH	M4x18 Screw	2	
II	Shelf Pin	16	
SS	Safety Chain	1	

Some parts and specifications may change without notice.

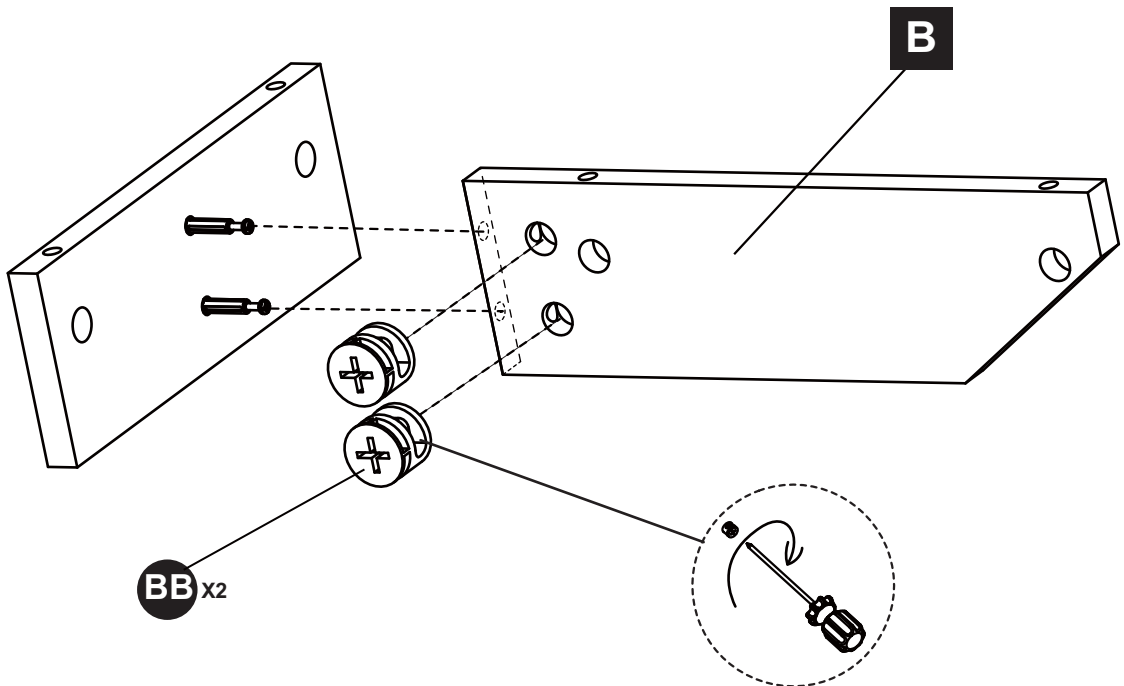
Carefully remove all pieces from the carton and make sure that you have all parts listed (refer to parts list on page 2-4).

PACKAGE STEPS

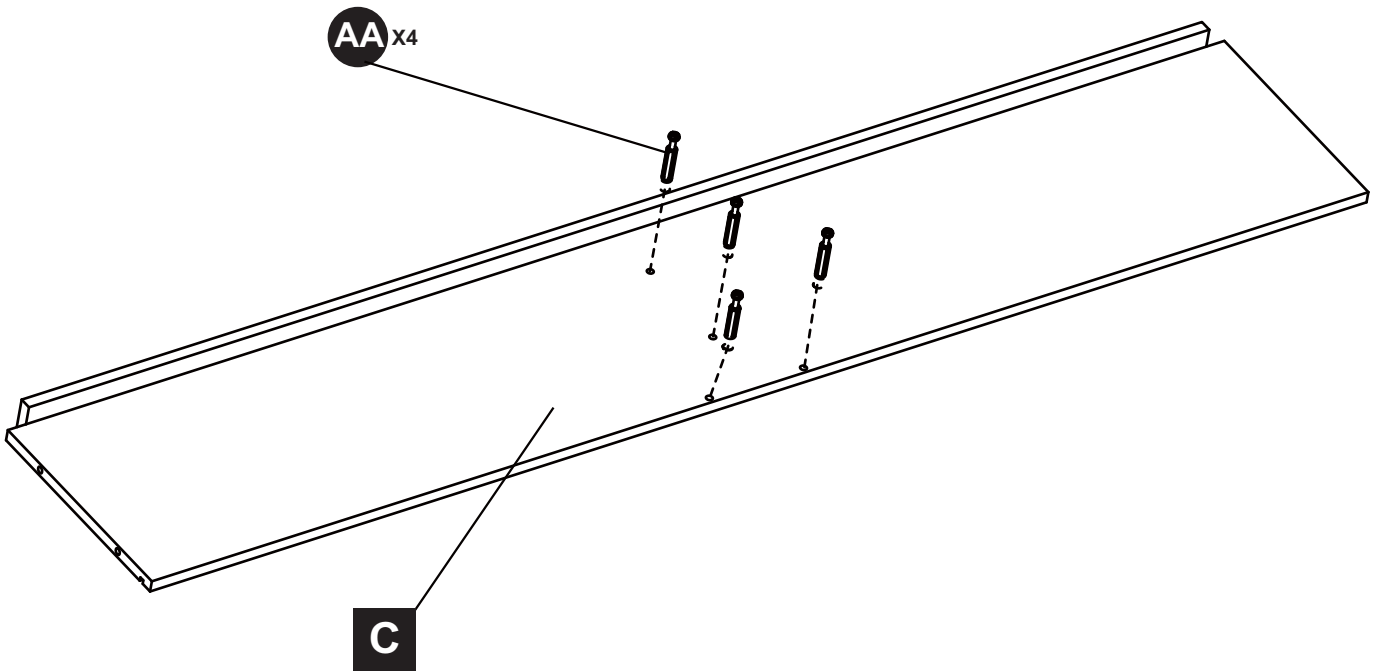
1.



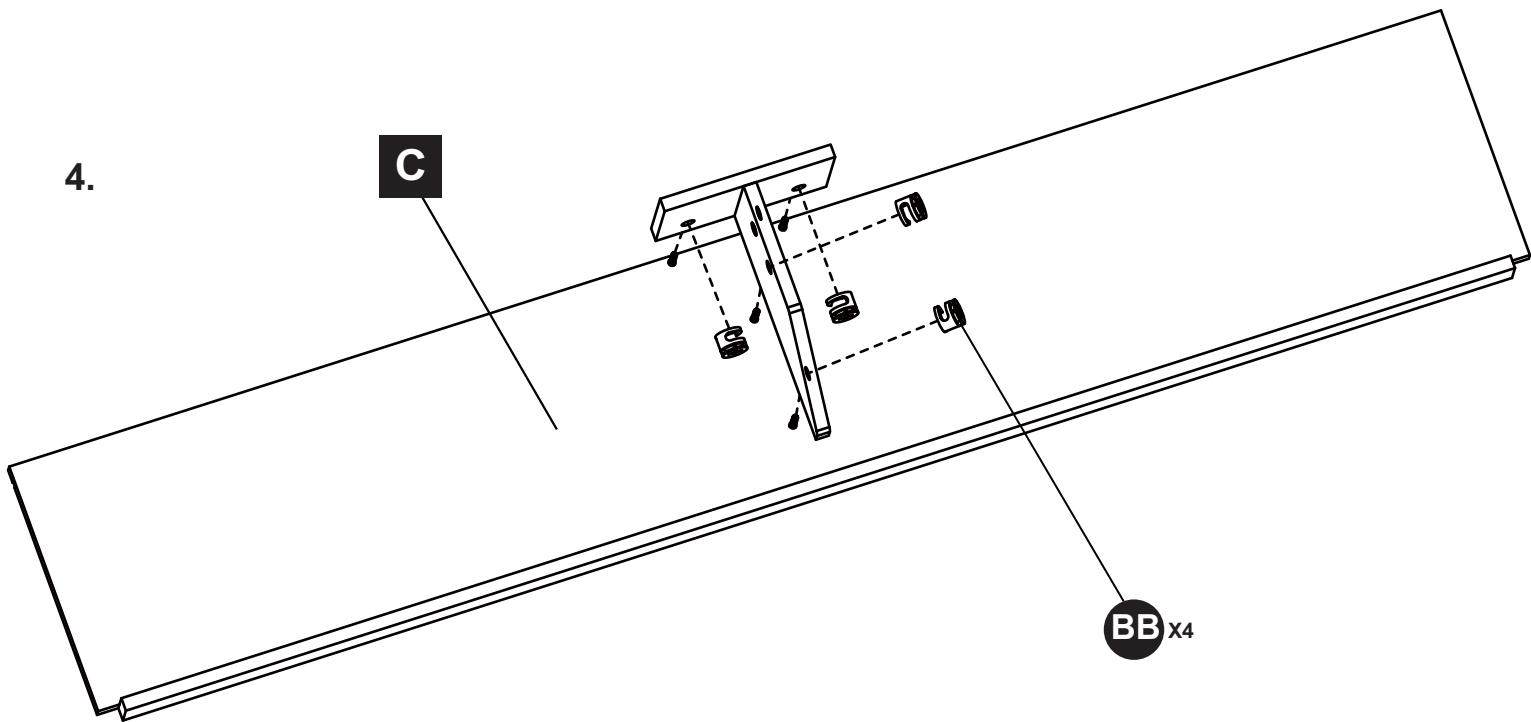
2.



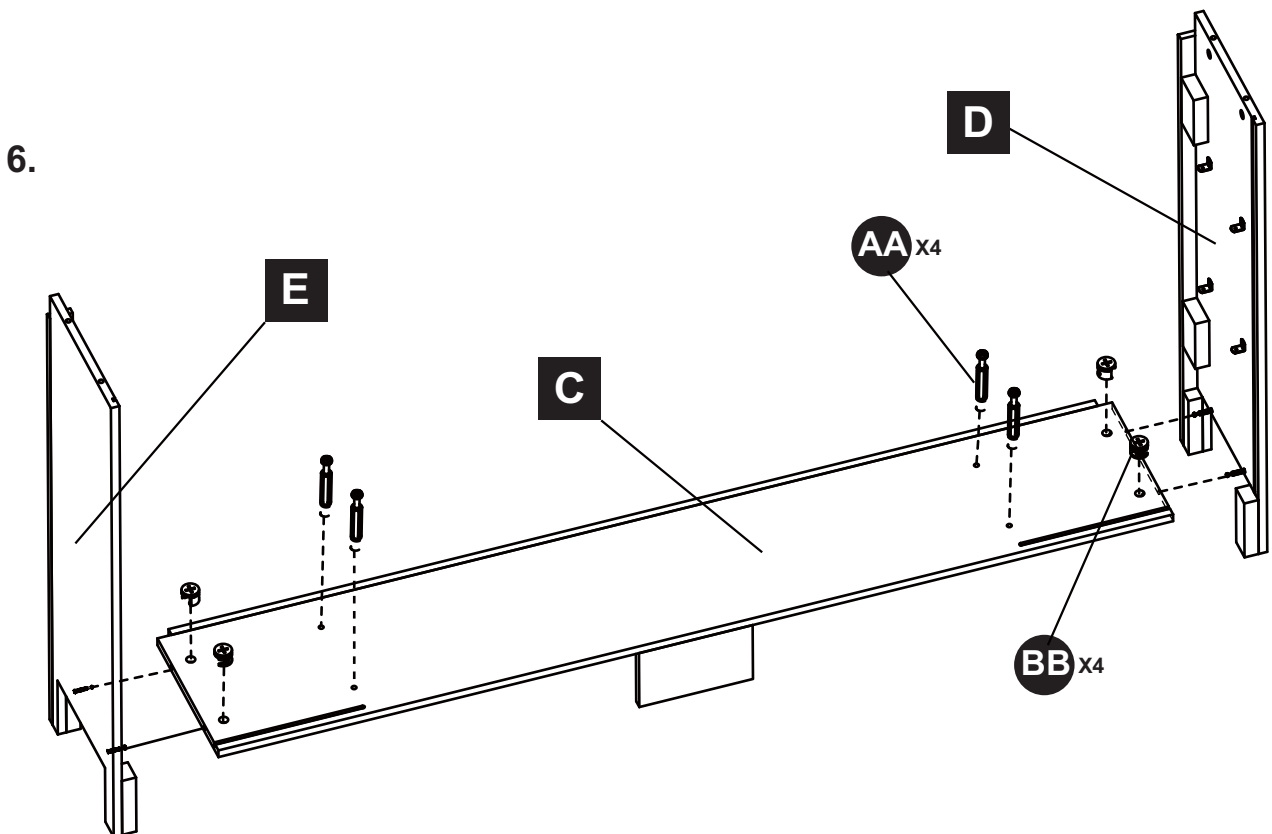
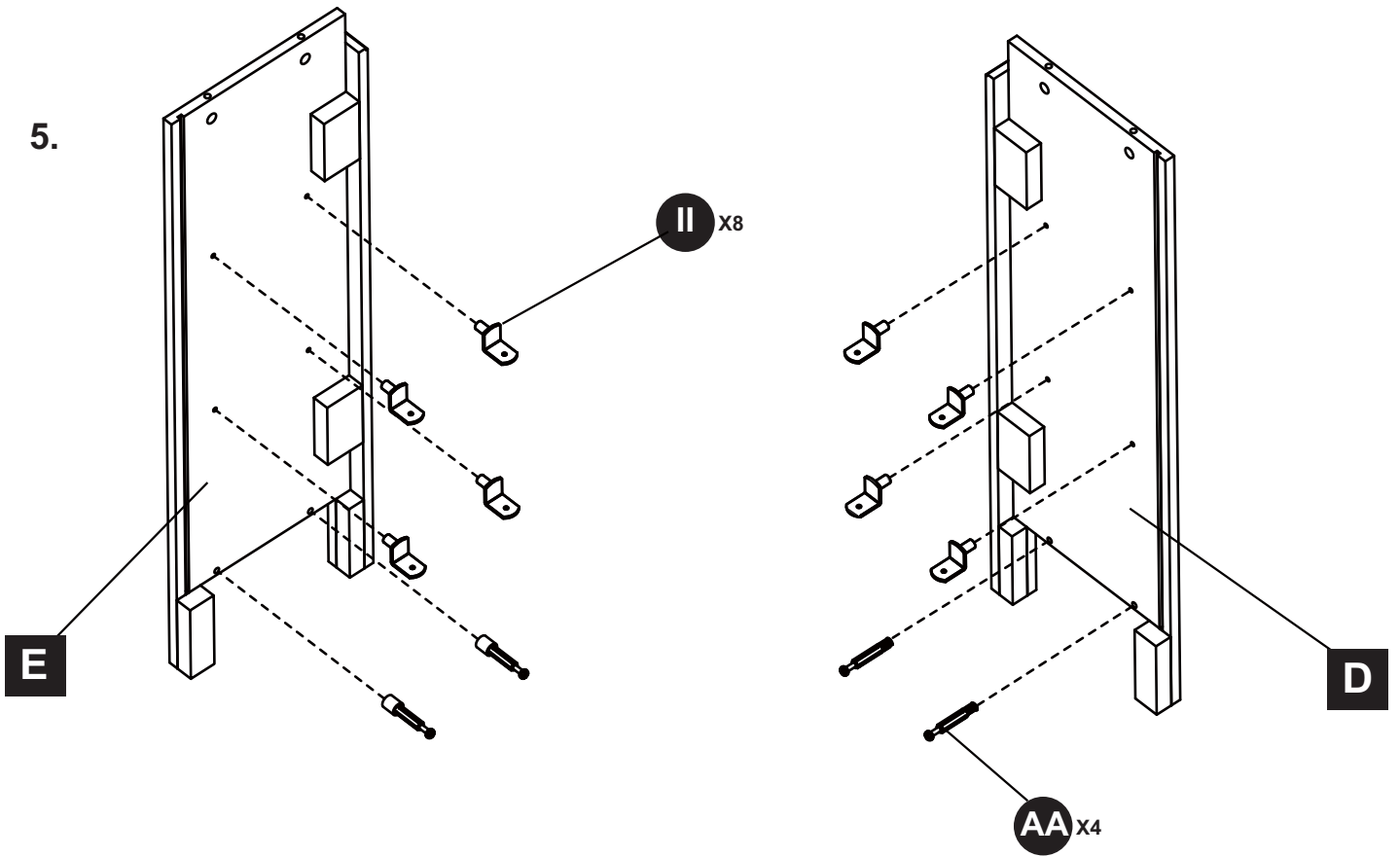
3.



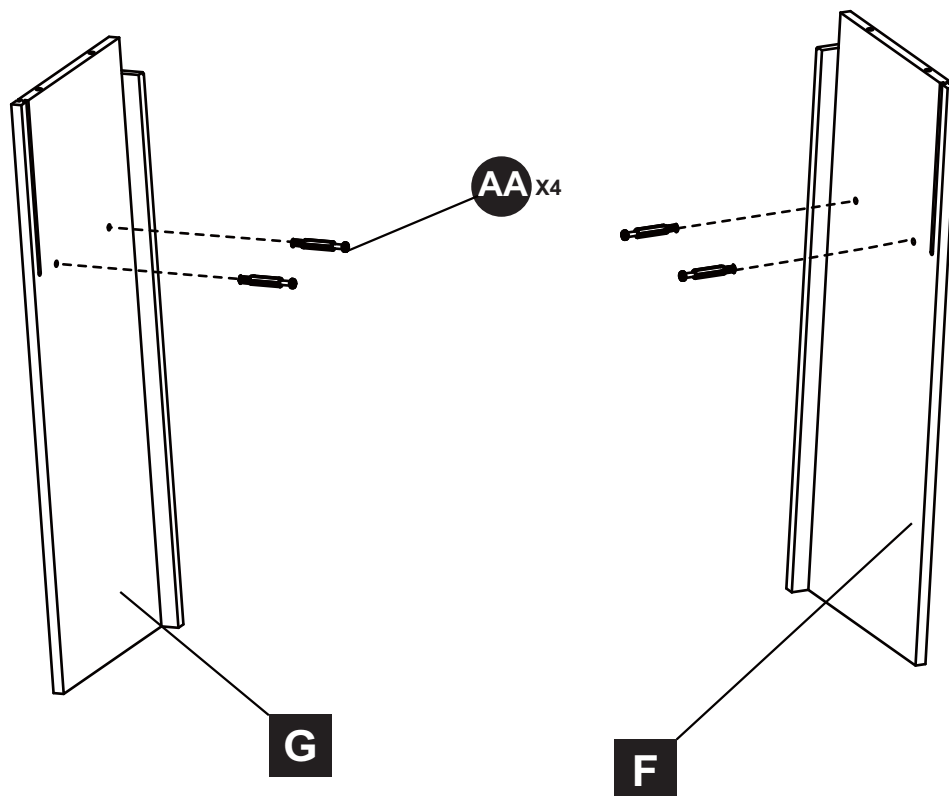
4.



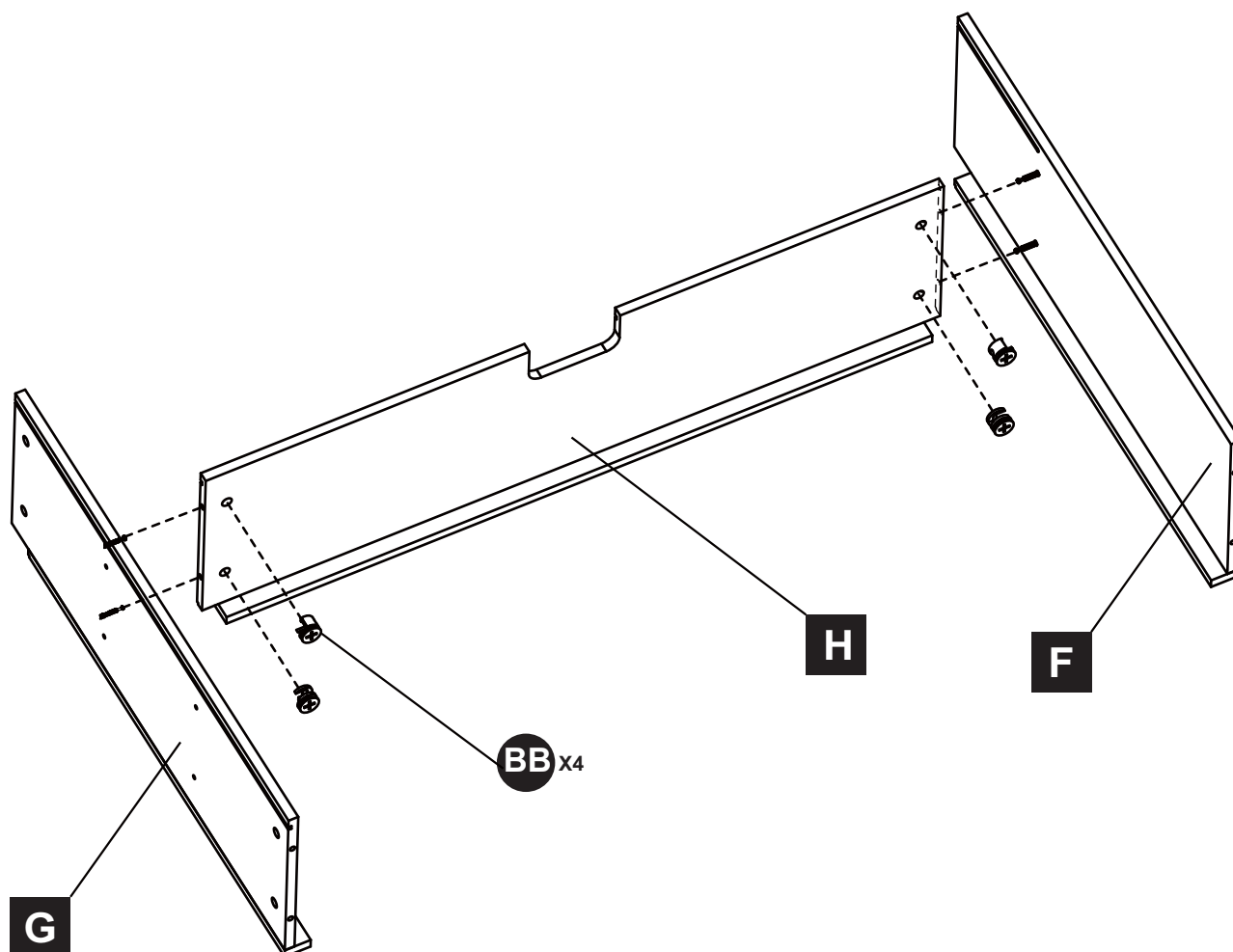
PACKAGE STEPS



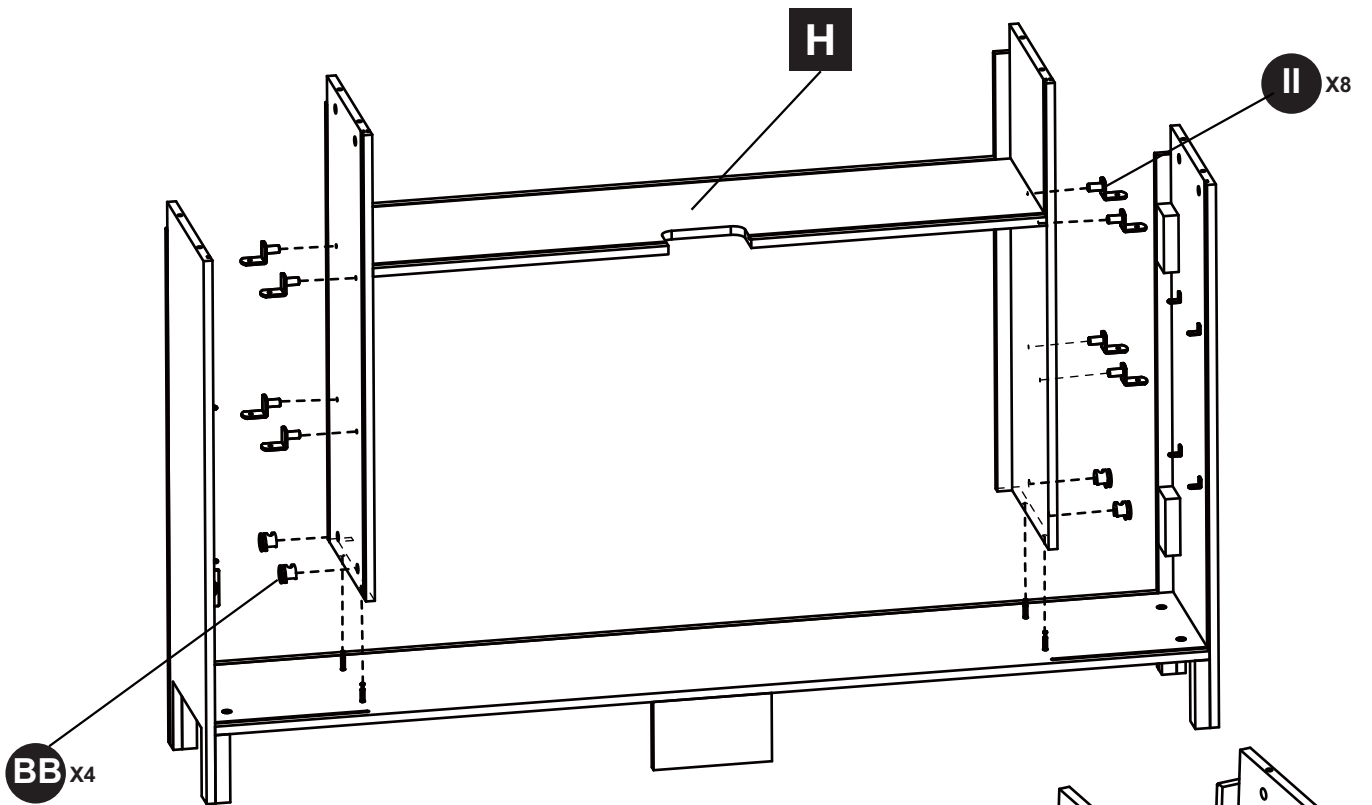
7.



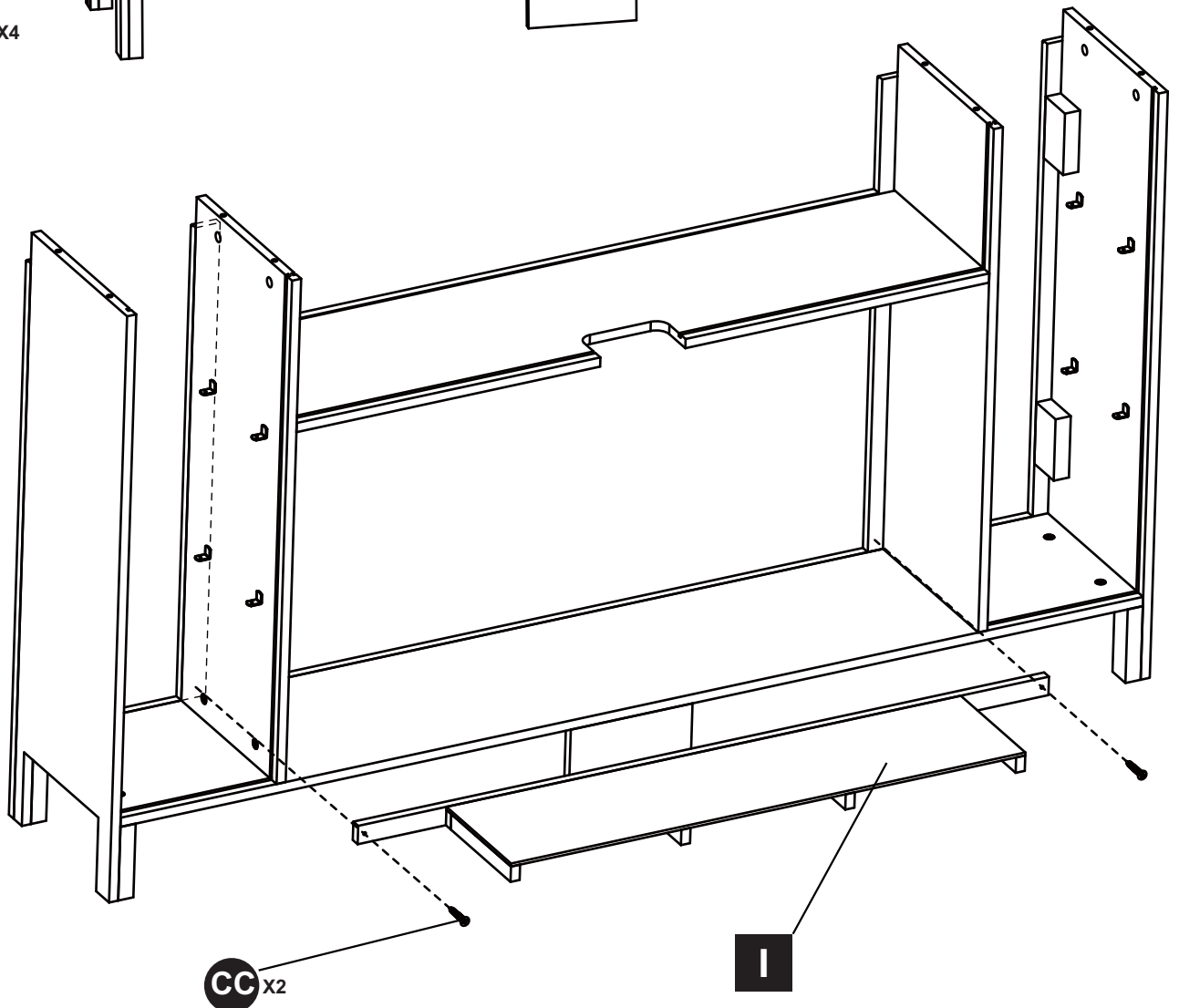
8.



9.

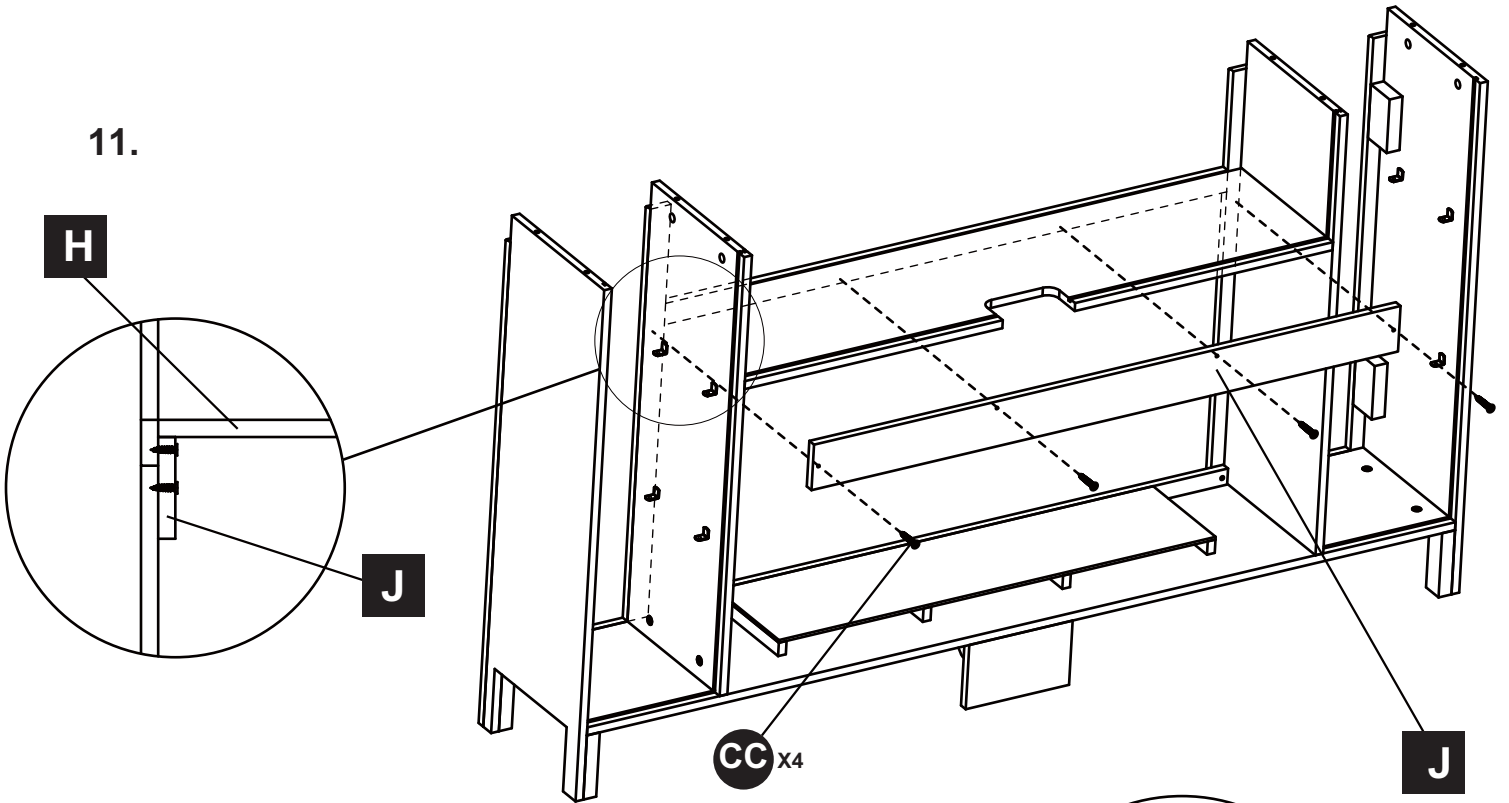


10.

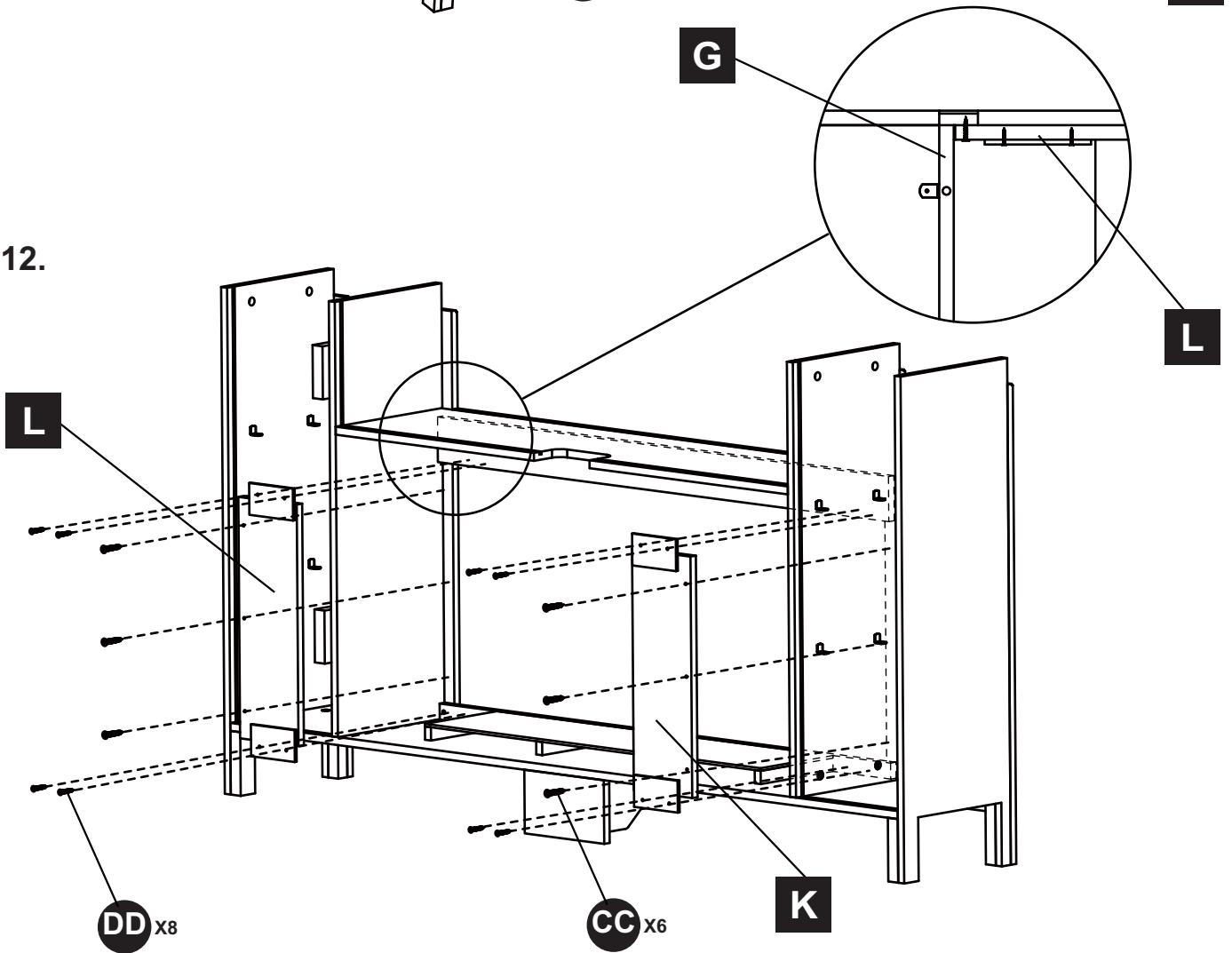


PACKAGE STEPS

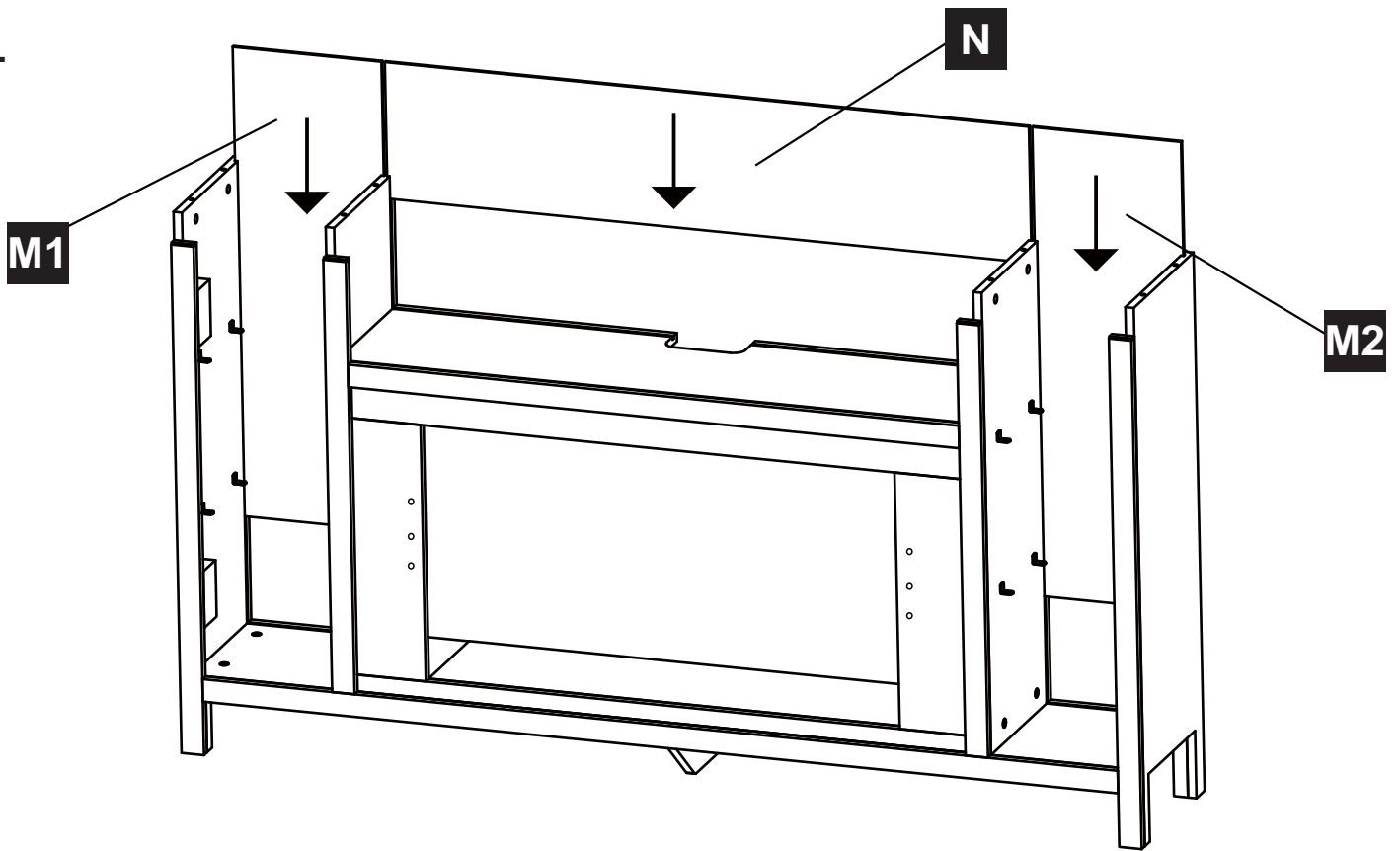
11.



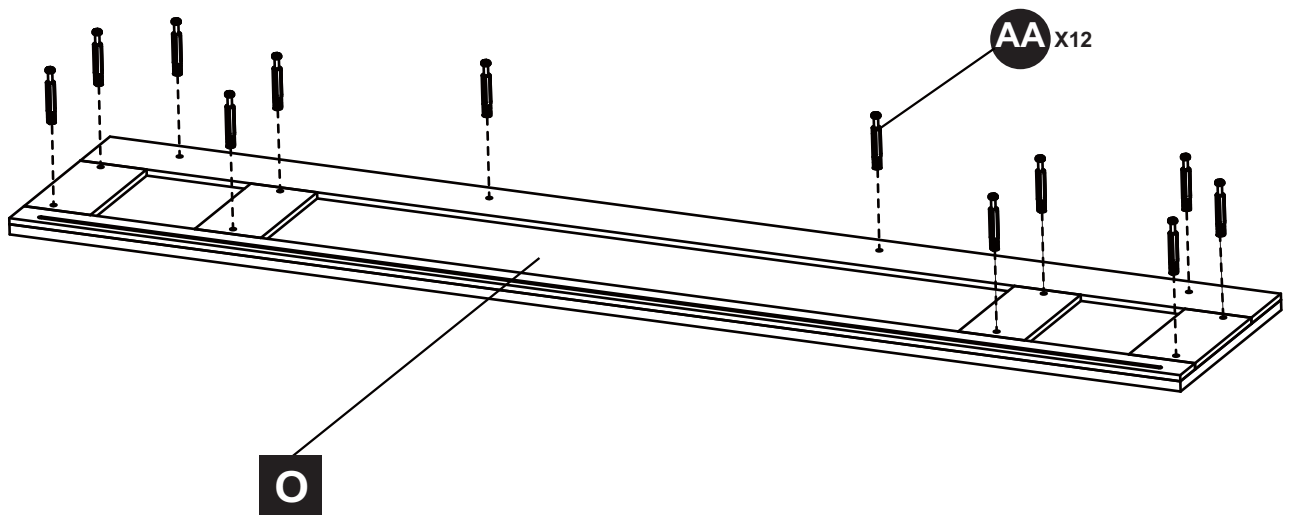
12.



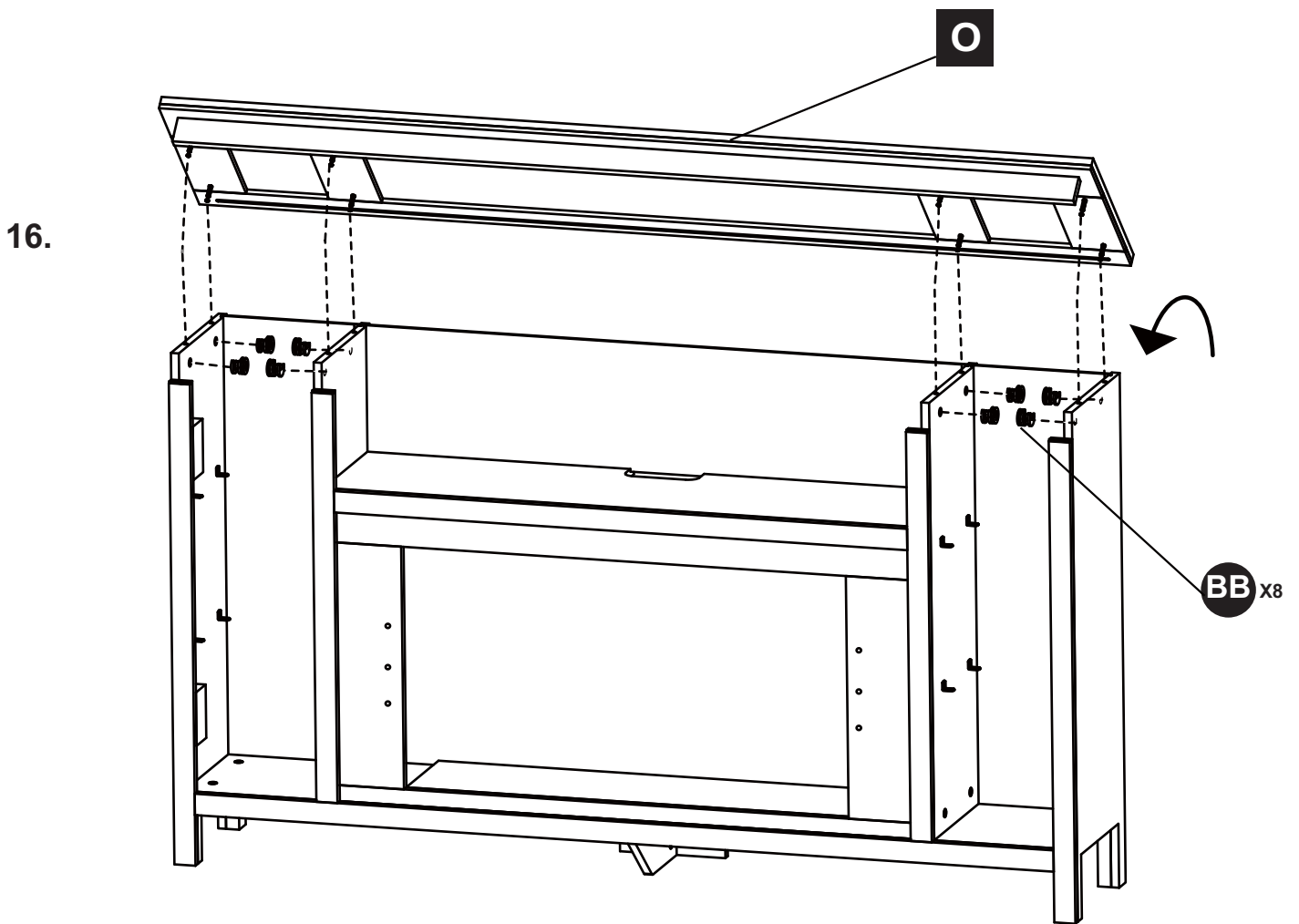
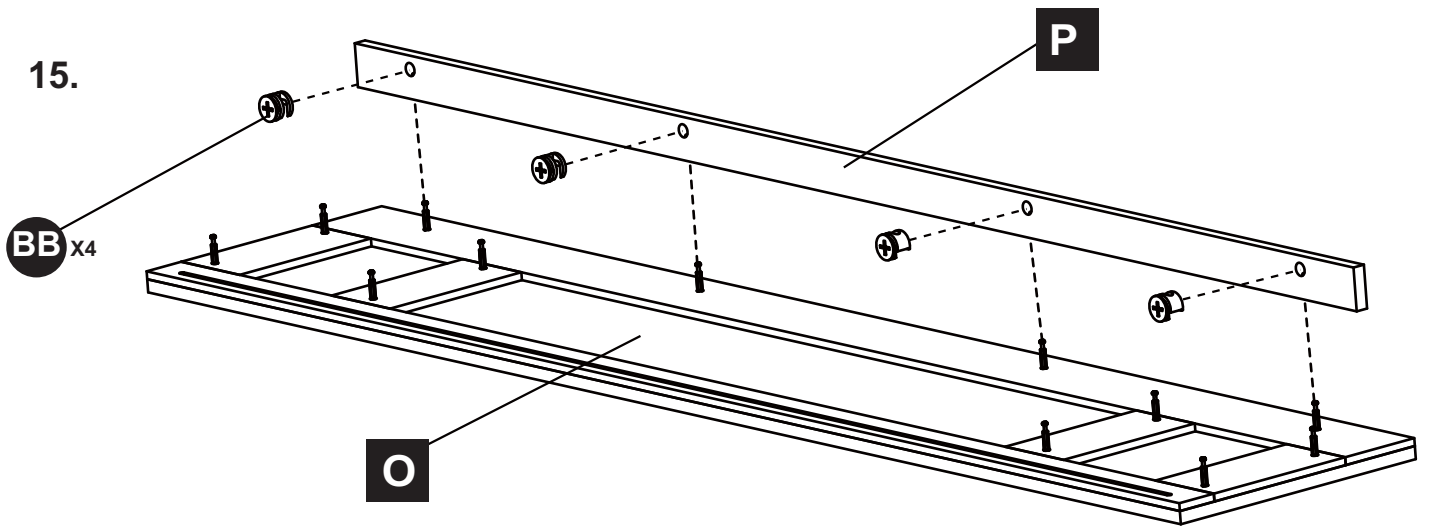
13.

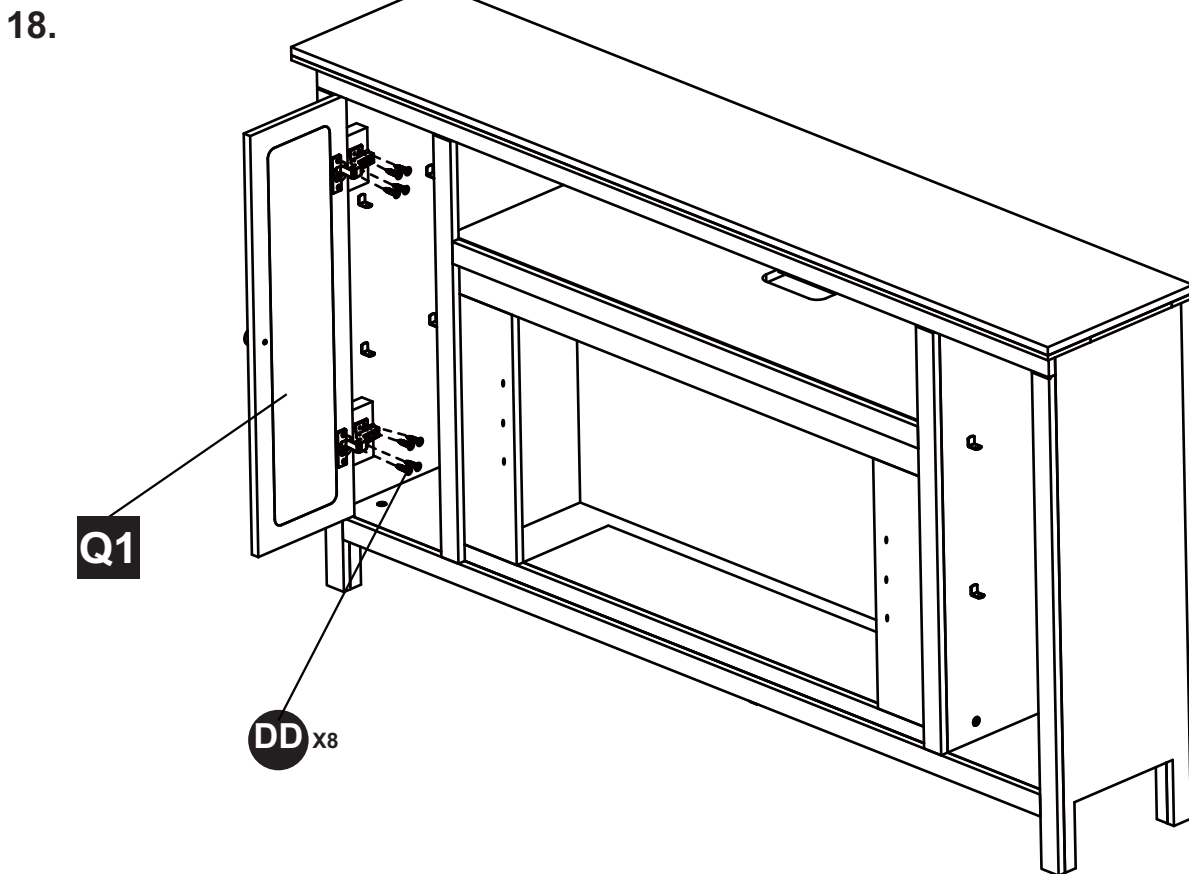
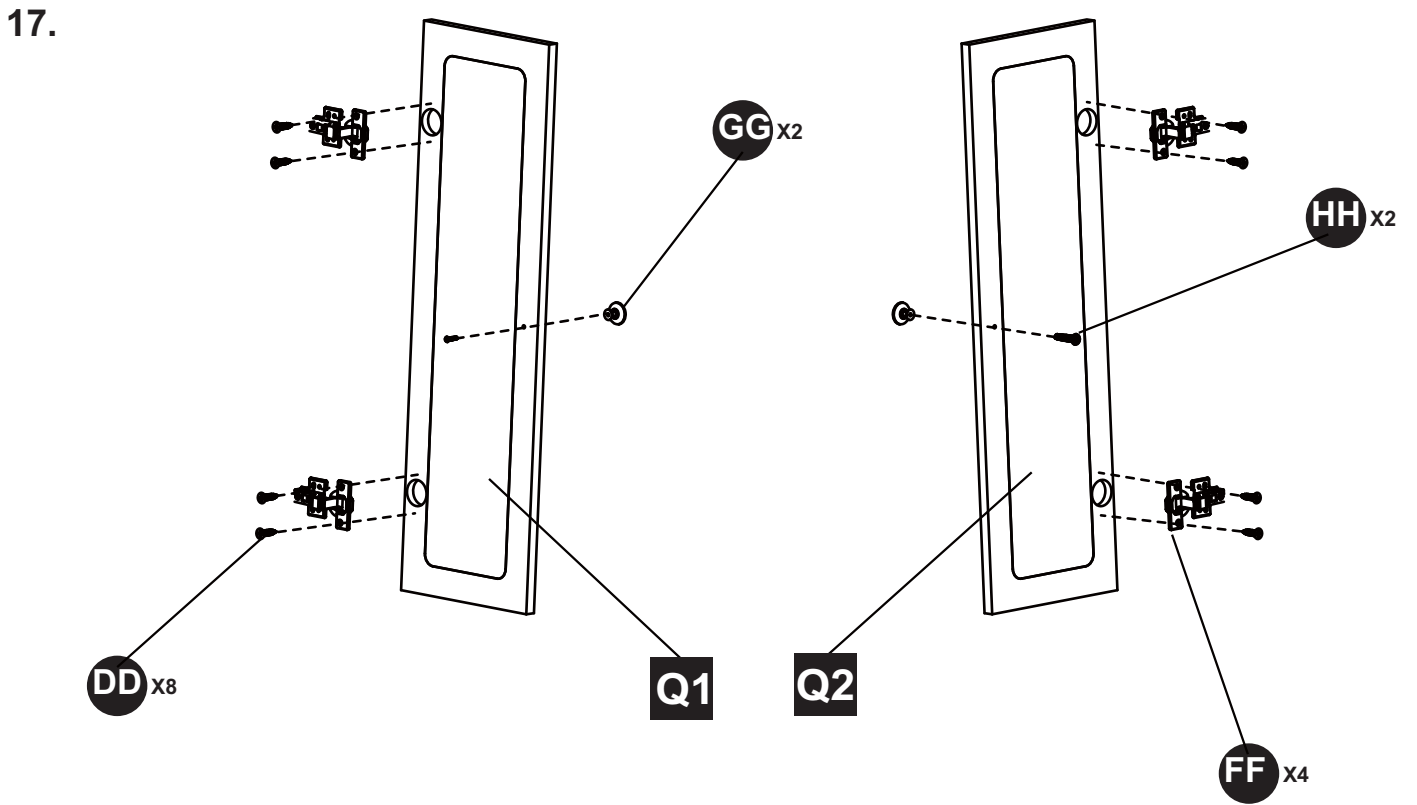


14.

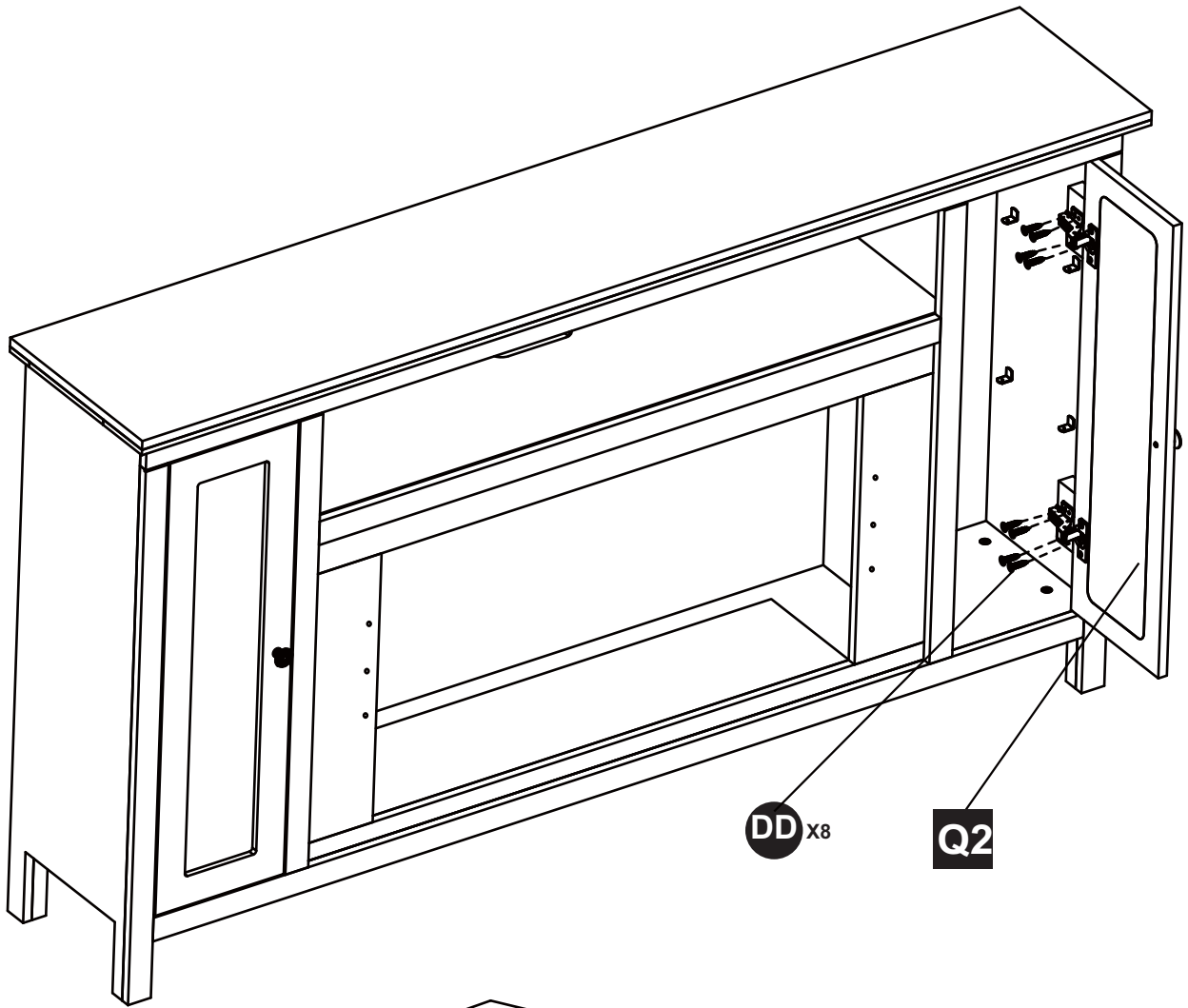


PACKAGE STEPS

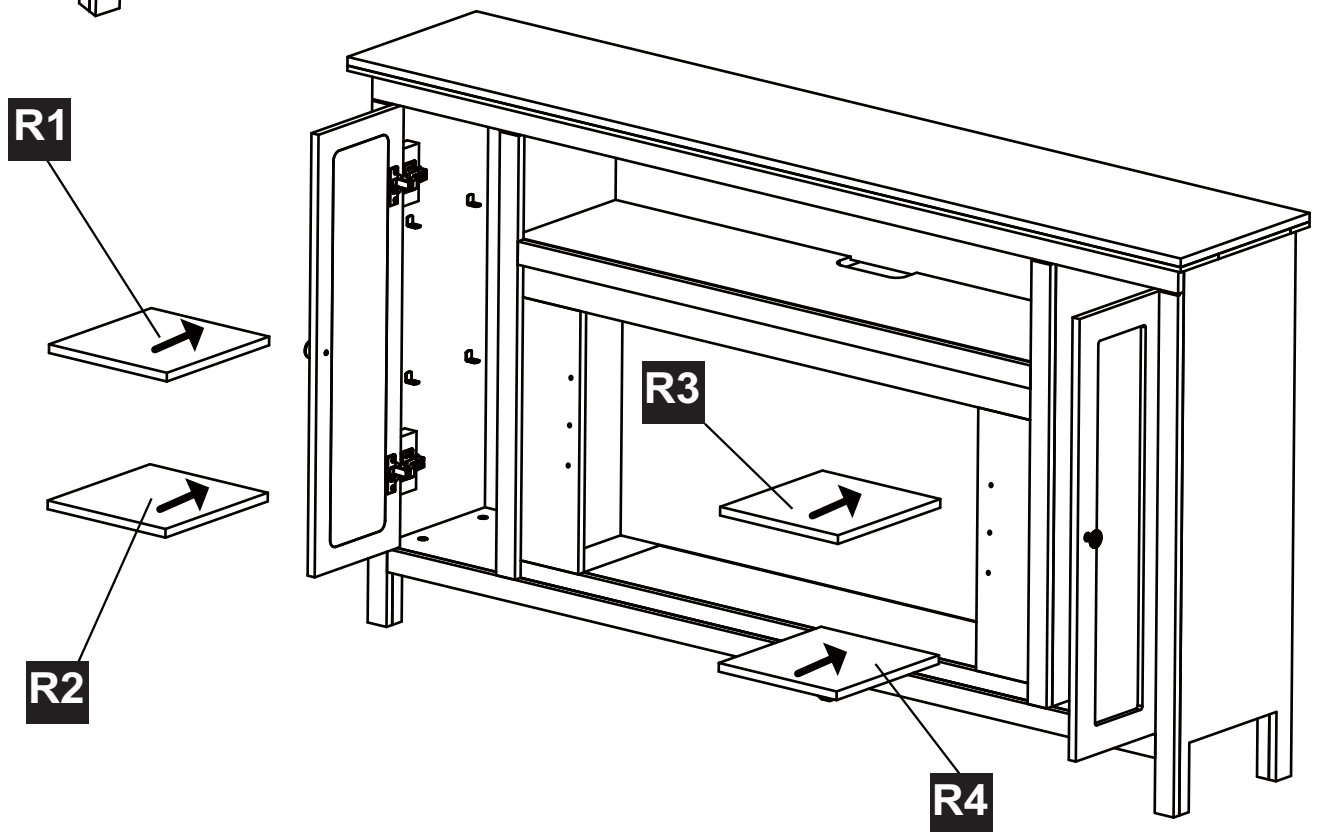




19.



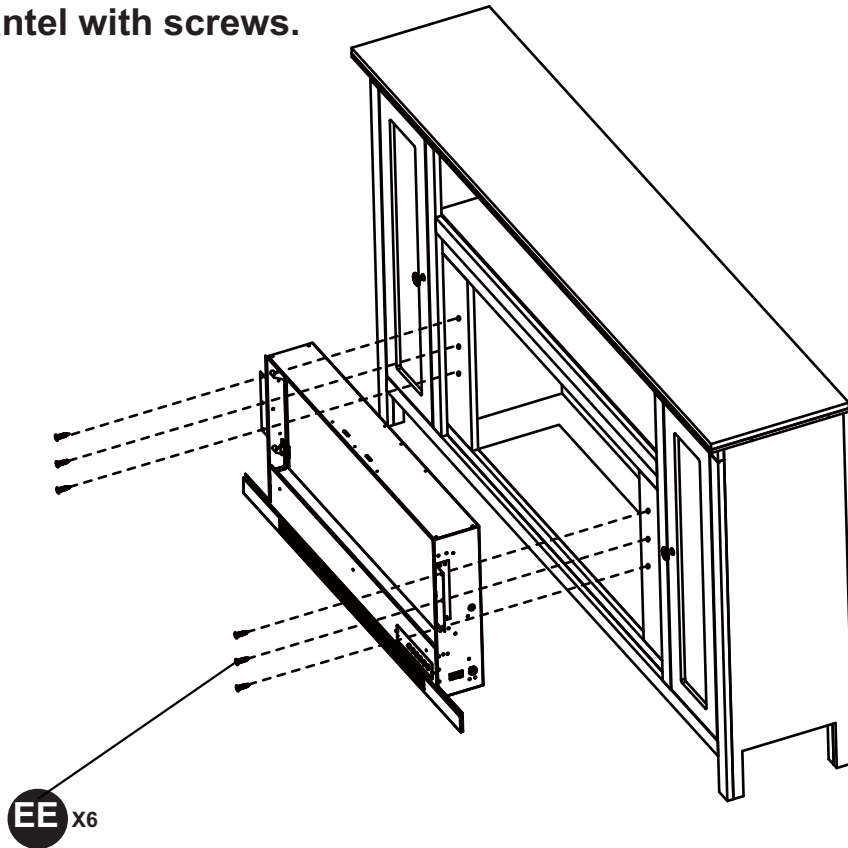
20.



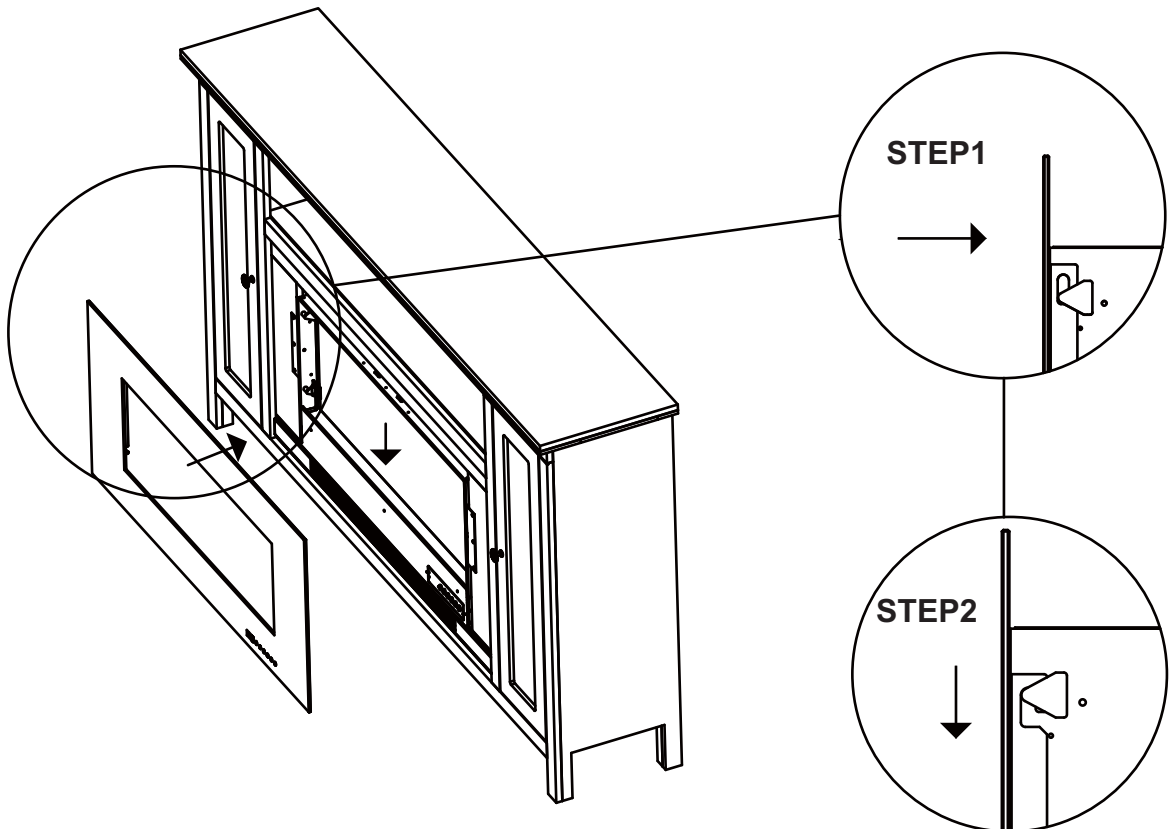
PACKAGE STEPS

21. Inserting the fire box (X42WMEF1BLK/WHT)

- (1). Remove the outer glass from the fire box (Please refer to the fire box manual (Page 6) supplied with the fire box)
- (2). Set the fire box into the mantel and secure the side trim pieces on the mantel with screws.



- (3). Reinstall the glass pane onto the fire box.

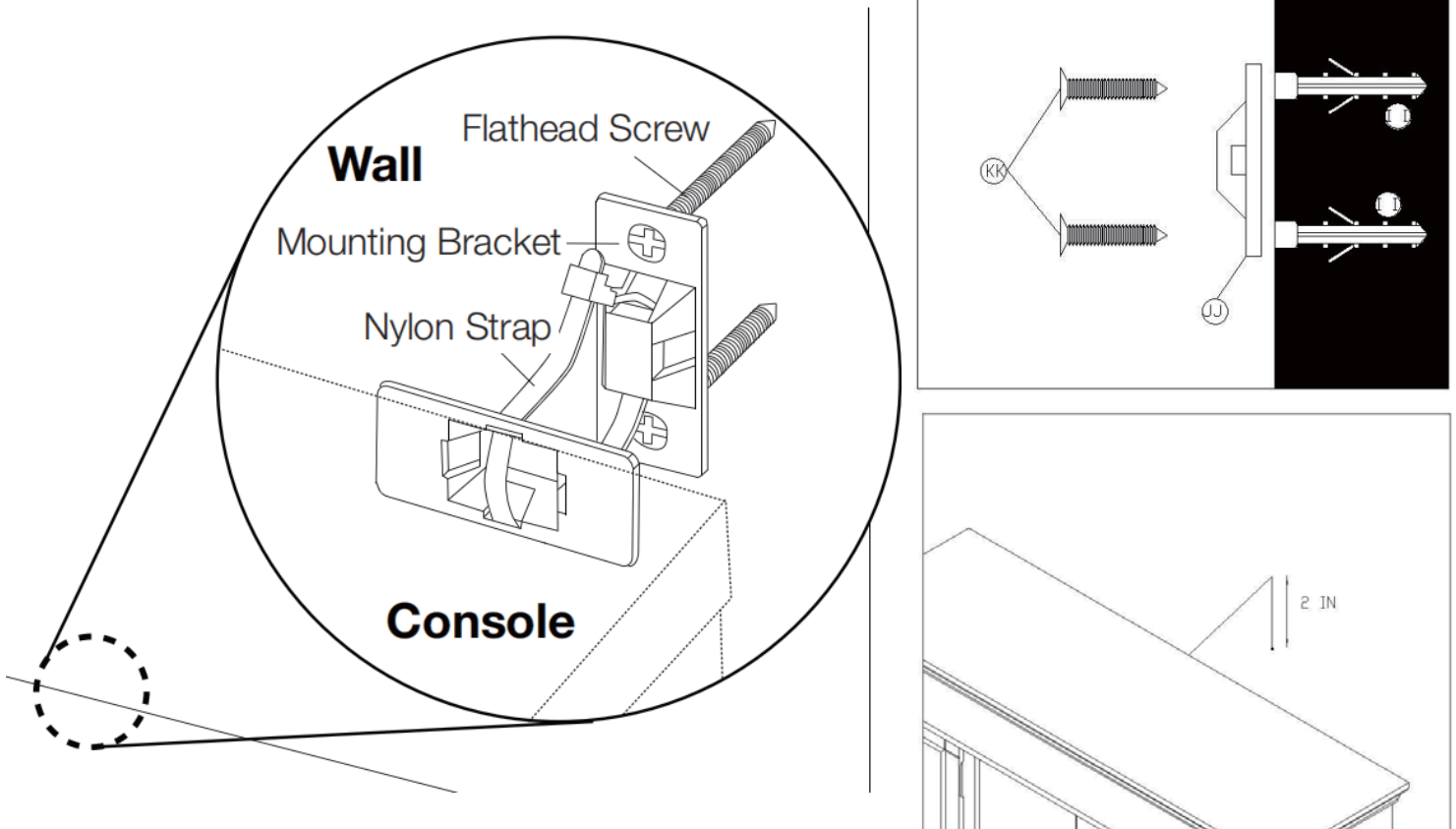


PACKAGE STEPS

IMPORTANT - Safety Chain Installation

WARNING:

This mantel is heavy furniture. Please be sure to correctly attach the safety chain to both the mantel and an adjacent wall. Failure to do so can cause serious injury or death.



INSTALLATION:

- Assemble the mantel and place it in position
- Attach one end of the chain to a wall stud using the screw included
- Attach the other screw – through a link in the chain – to the center of the mantel's top board (you may need to drill a small starter hole). Put the screw through the chain link that allows the least amount of slack in the chain.
- Carefully test that the installed chain adequately prevents tipping or tilting of the mantel.

NOTE: The chain must be as short as possible to prevent the mantel tipping forward. Do not allow slack in the chain.