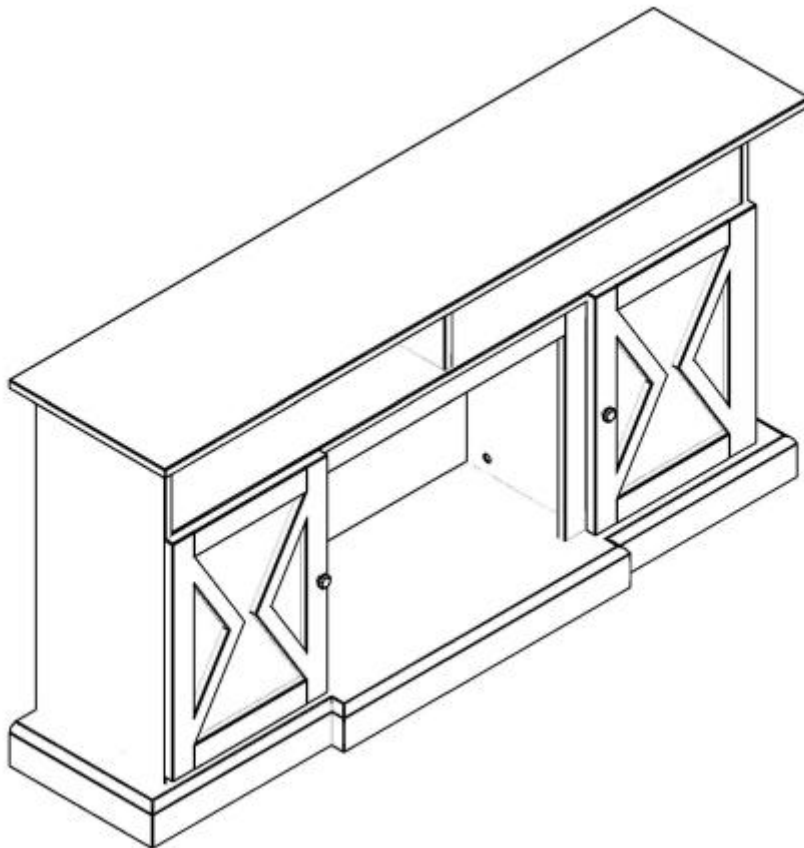


MANTEL

MODEL

X6215-1WHT X6215-1SND

X6215-1MAH X6215-1SBL



PACKAGE CONTENTS

A 	B 	C 	D
E 	F 	G 	H
I 	J 	K 	L
M 	N 	O 	P

HARDWARE CONTENTS

AA 	BB 	CC 	DD 	EE 	FF 	GG 	SS
Bolt Qty.33	Metal Connector Qty.33	Cabinet Door Hinge Qty.4	Panel Screw Qty.24	Screw M4*25 Qty.2	Shelf Pin Qty.8	Handle Qty.2	X2 X2 X1 X2 (4*35MM) X2 (4*15MM) Safety Chain Qty.1

PACKAGE CONTENTS

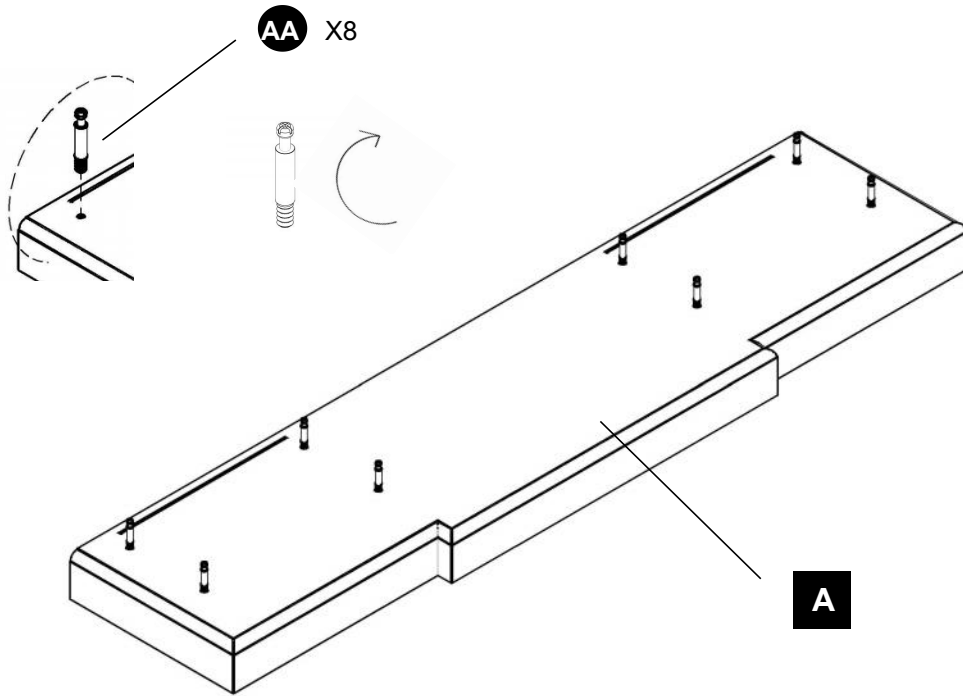
PART	DESCRIPTION	QTY.	PART NO.
A	Base	1	
B	Left Side Panel	1	
C	Right Side Panel	1	
D	Left Inner Panel	1	
E	Right Inner Panel	1	
F	Top Shelf	1	
G	Lower Back Panel	2	
H	Top Shelf Divder	1	
I	Upper Back Panel	1	
J	Top	1	
K	Left Trim Panel	1	
L	Right Trim Panel	1	
M	Shelf Rail	1	
N	Adjustable Shelf	2	
O	Left Door	1	
P	Right Door	1	
AA	Bolt	33	
BB	Metal Connector	33	
CC	Cabinet Door Hinge	4	
DD	Panel Screw	24	
EE	Screw M4*25	2	
FF	Shelf Pin	8	
GG	Handle	2	
SS	Safety Chain	1	

Some parts and specifications may change without notice.

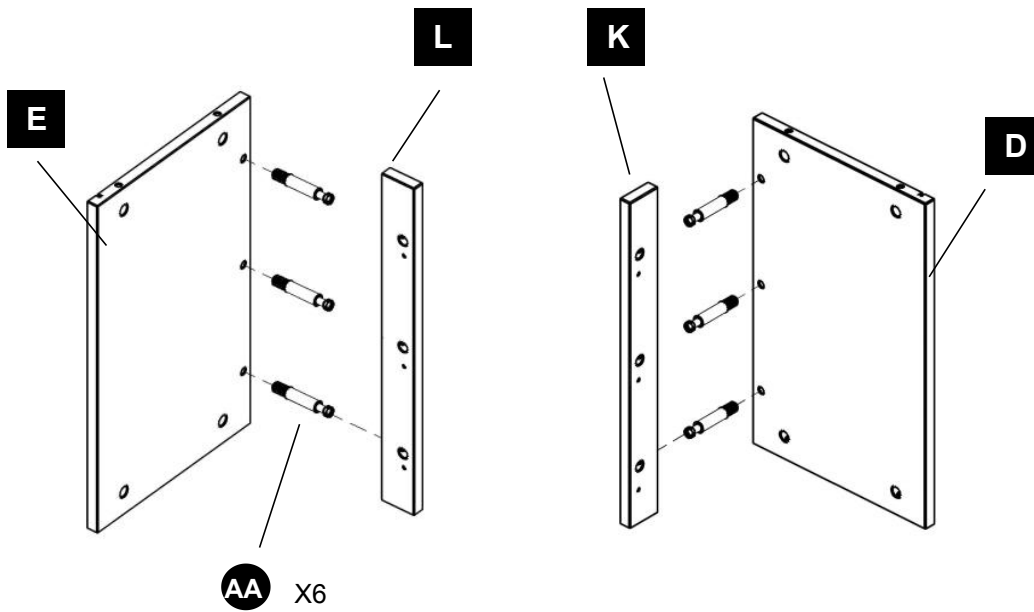
Carefully remove all pieces from the carton and make sure that you have all parts listed (refer to parts list on page 2-3).

PACKAGE STEPS

1.

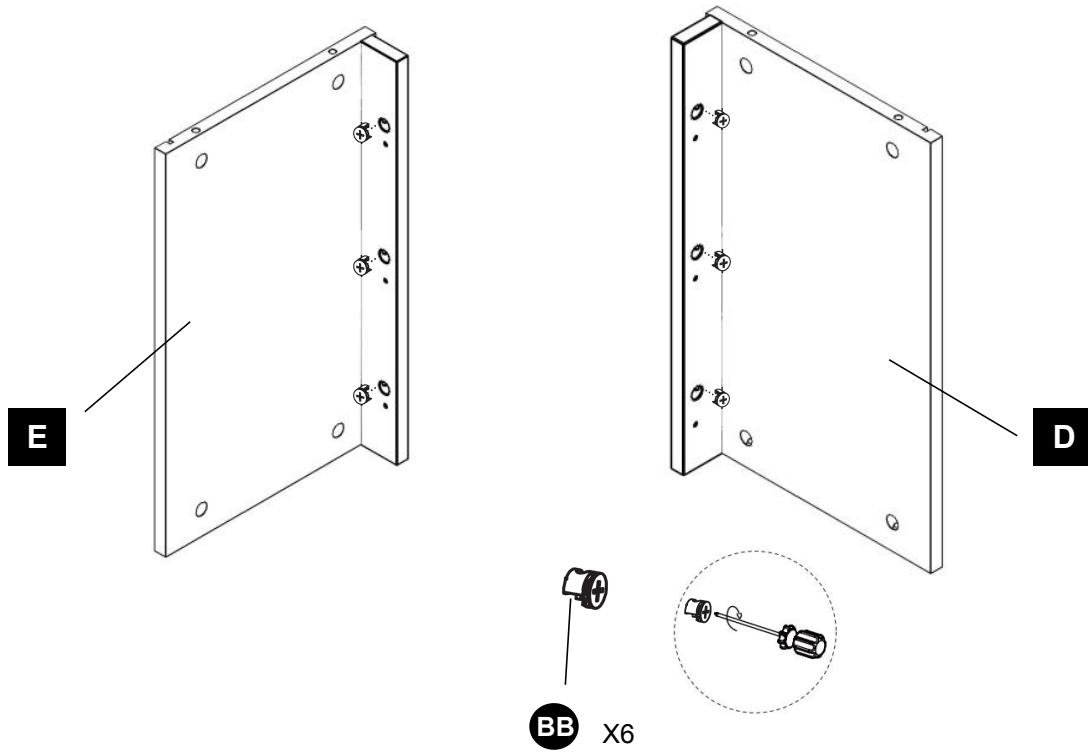


2.

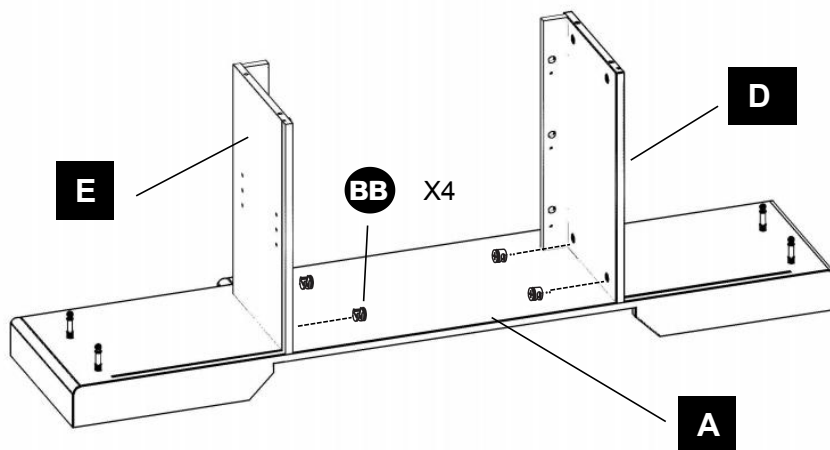


PACKAGE STEPS

3.

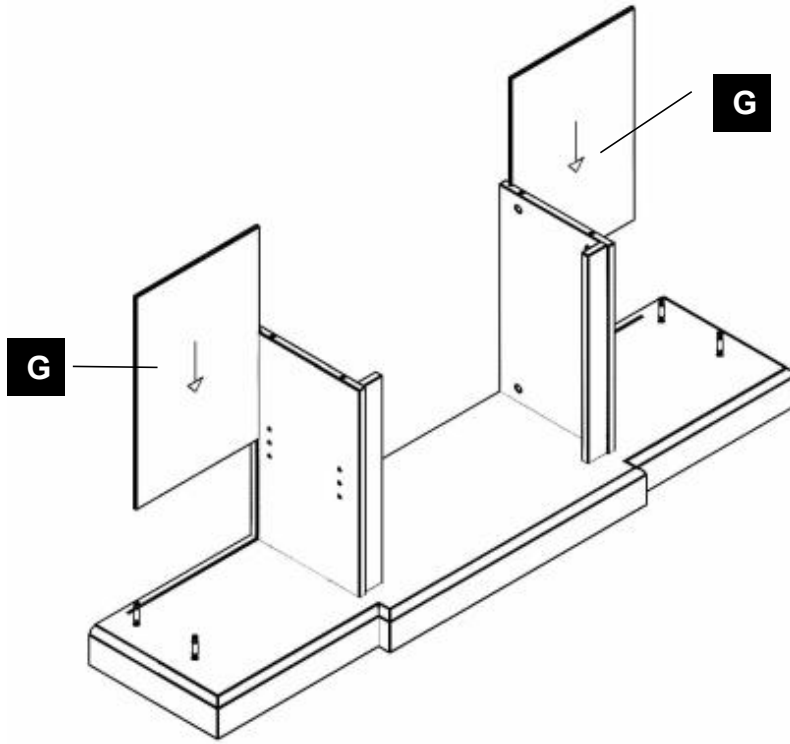


4.

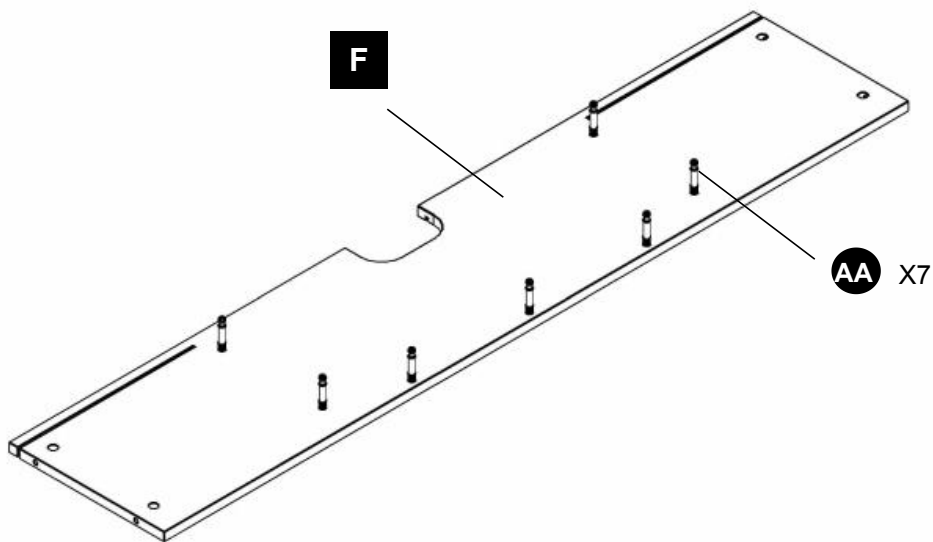


PACKAGE STEPS

5.

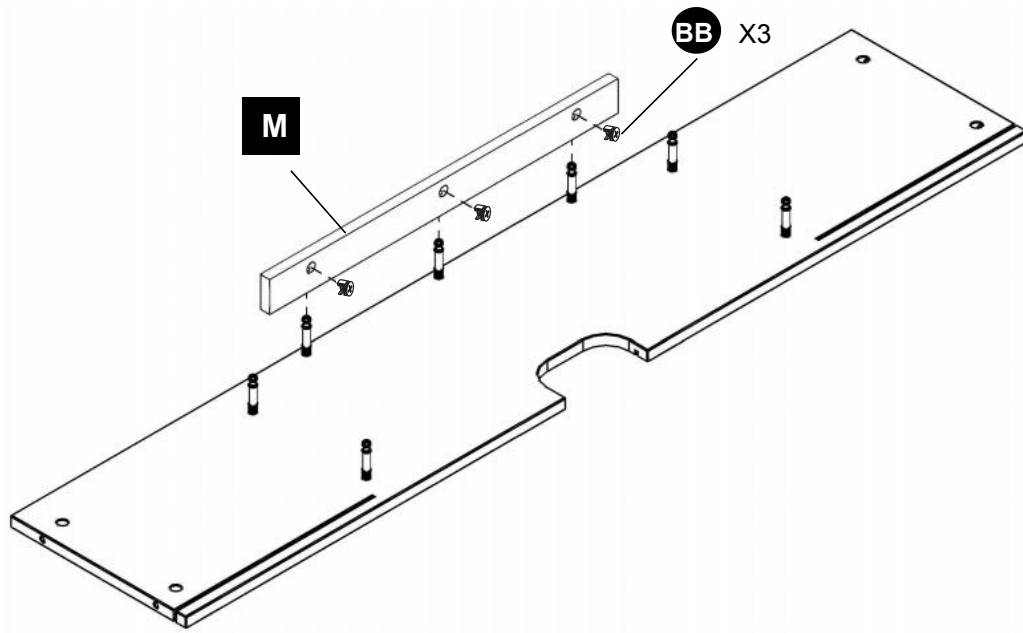


6.

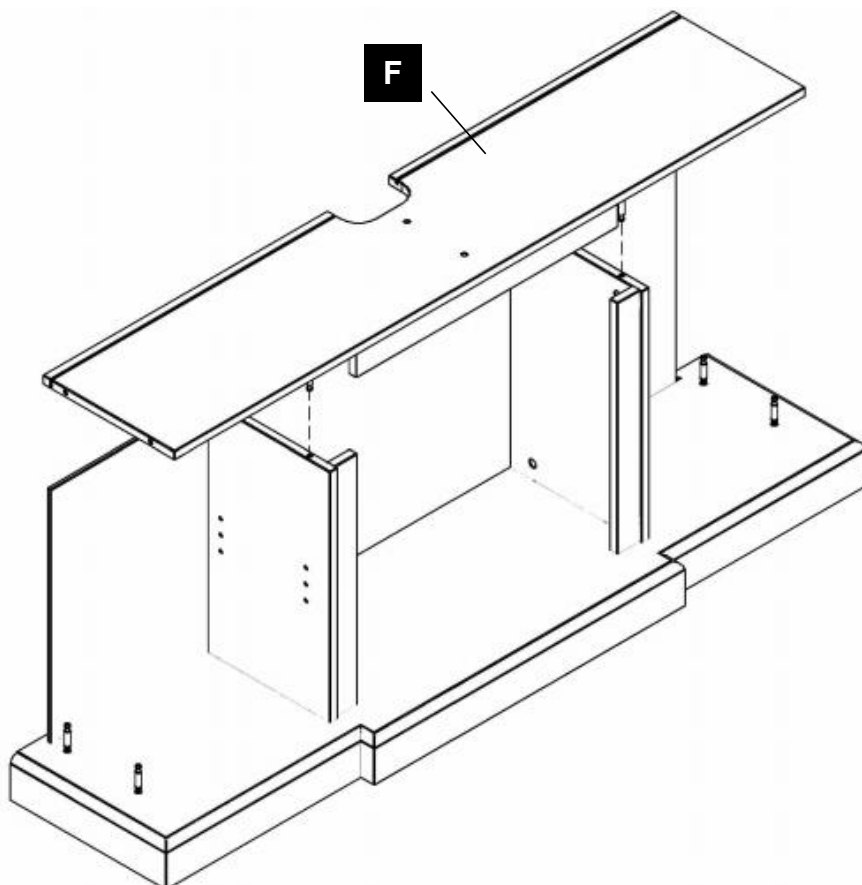


PACKAGE STEPS

7.

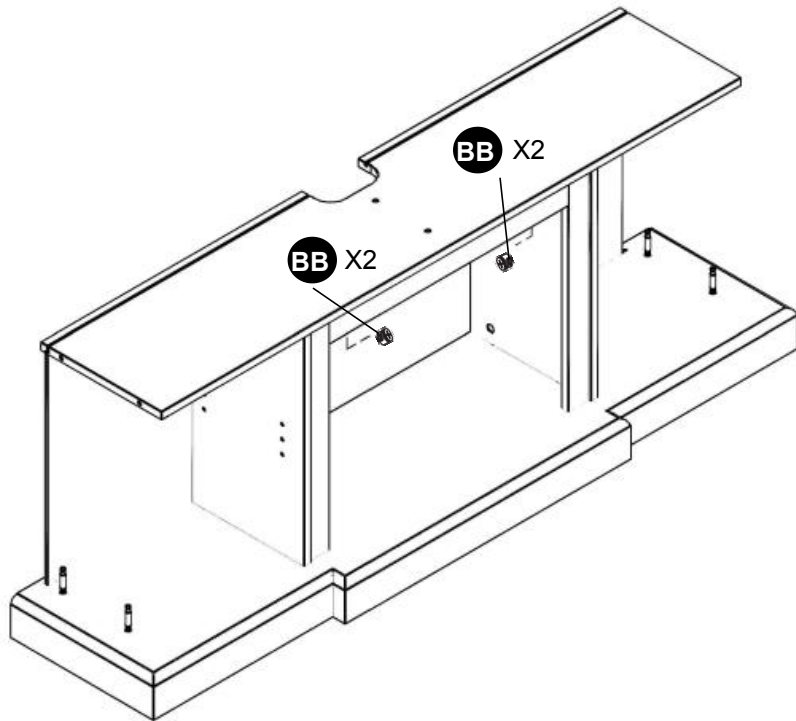


8.

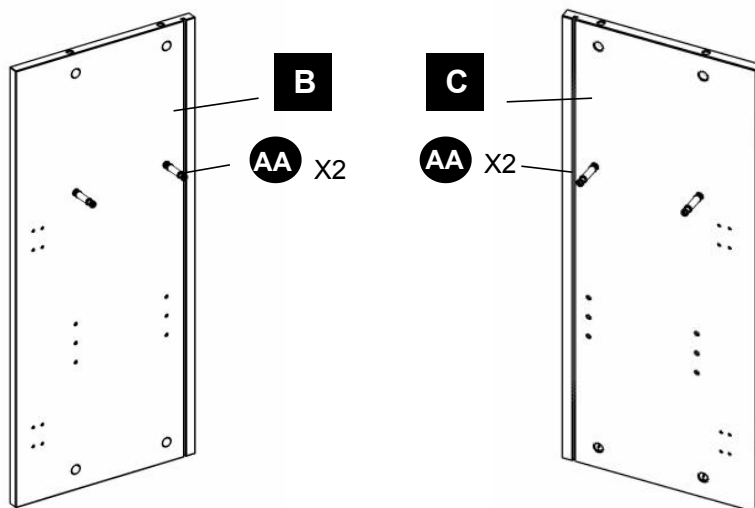


PACKAGE STEPS

9.

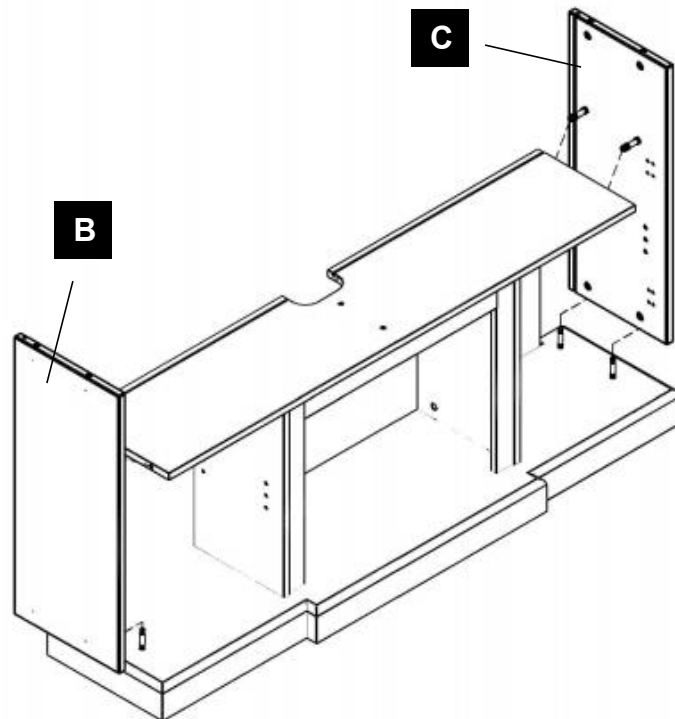


10.

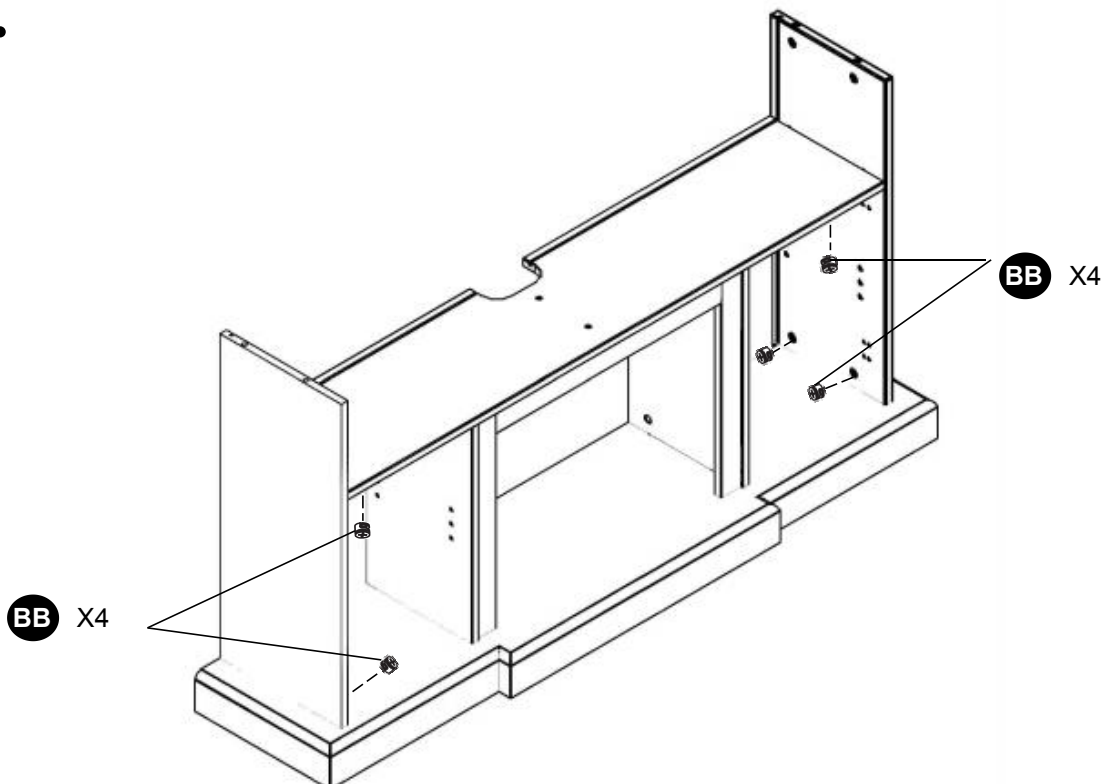


PACKAGE STEPS

11.

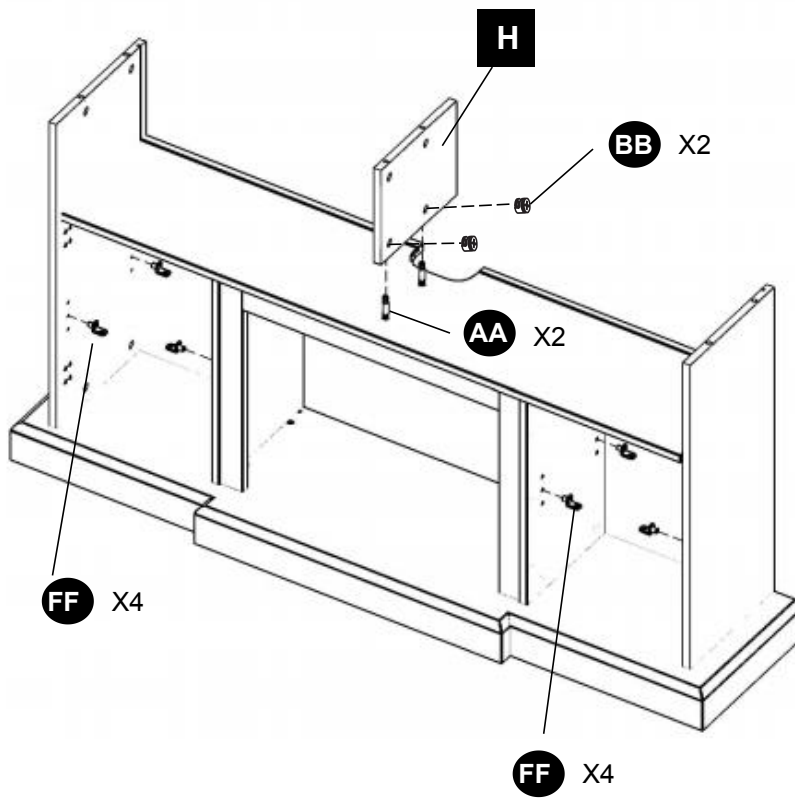


12.

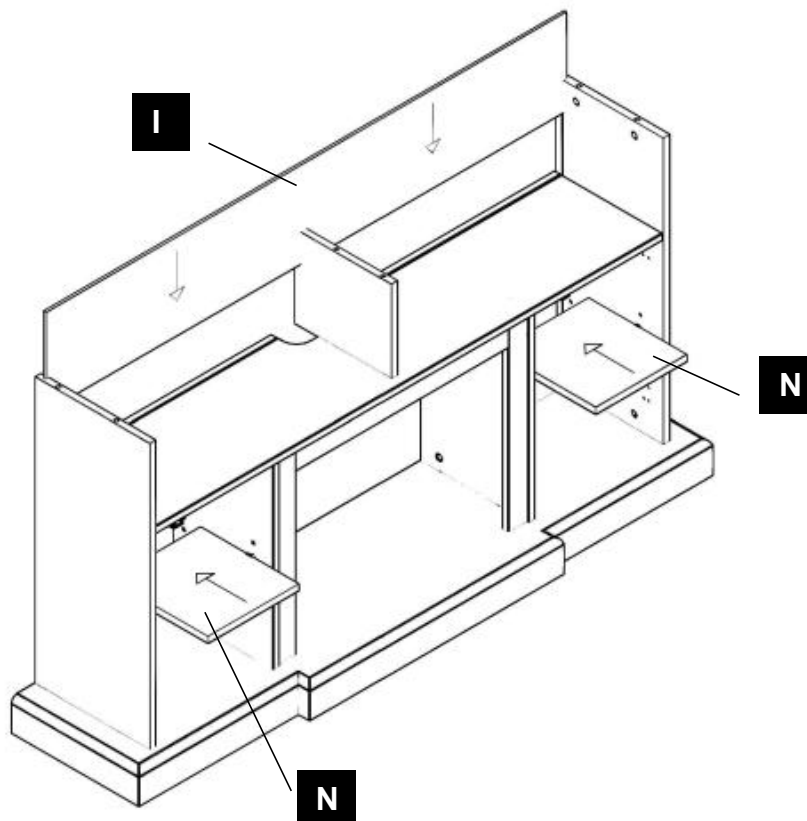


PACKAGE STEPS

13.

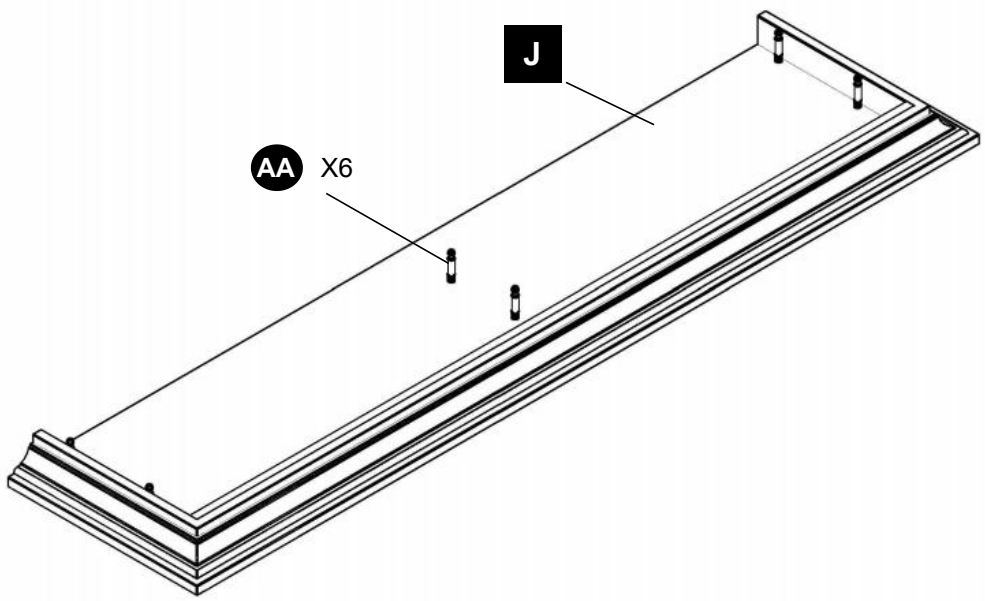


14.

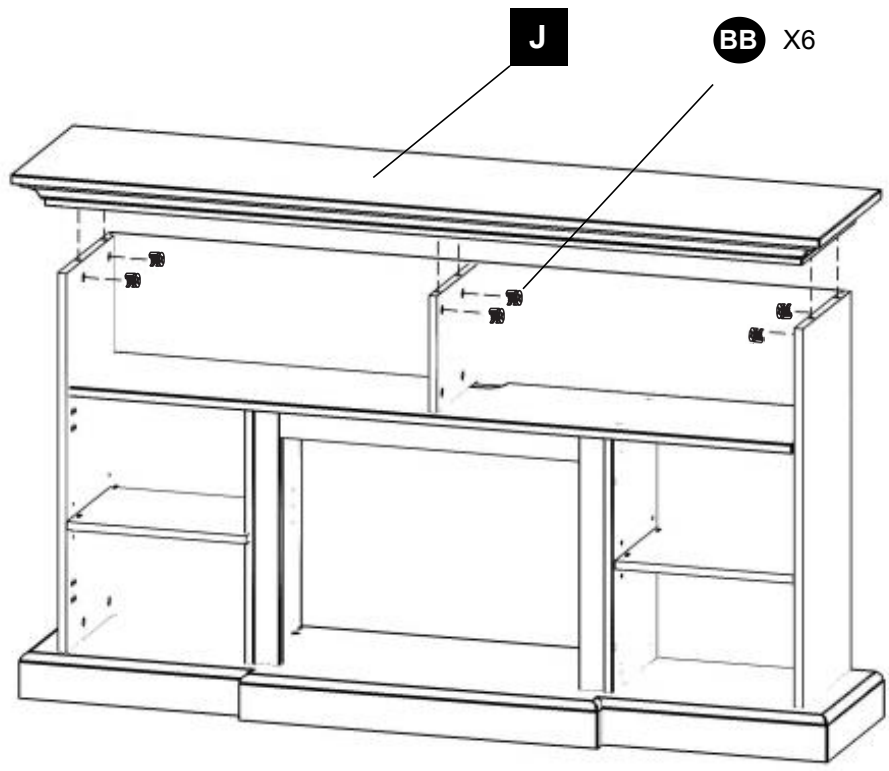


PACKAGE STEPS

15.

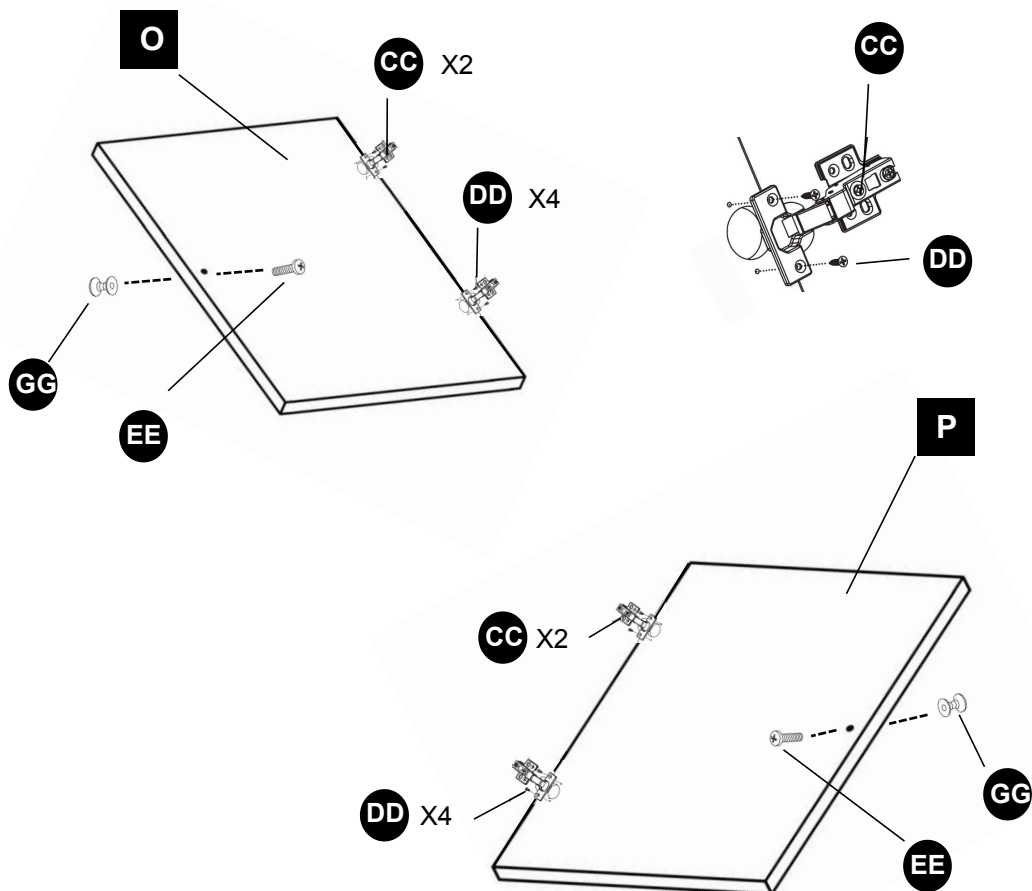


16.

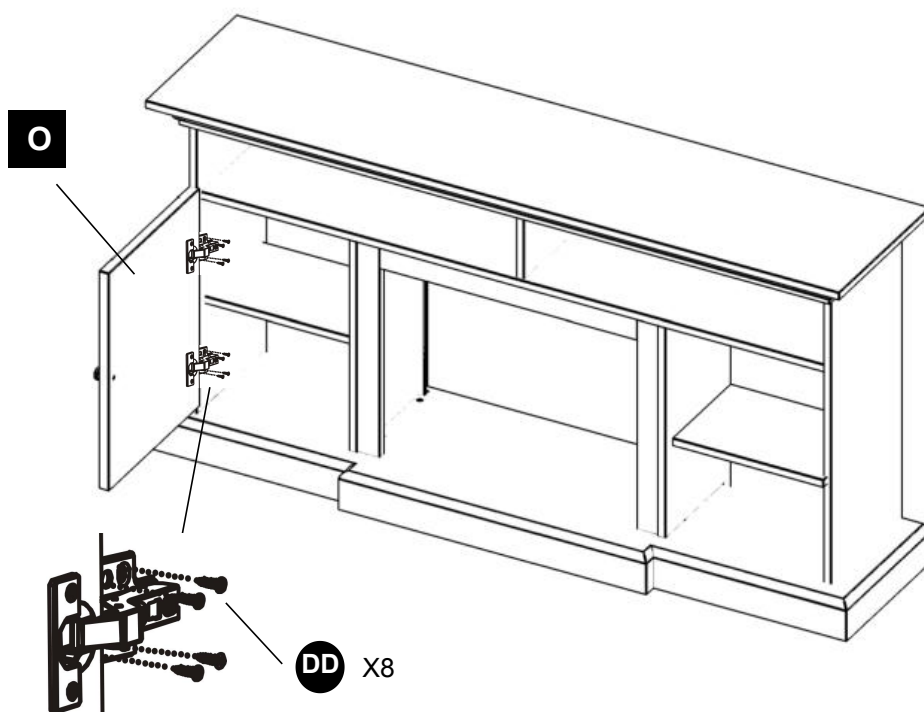


PACKAGE STEPS

17.

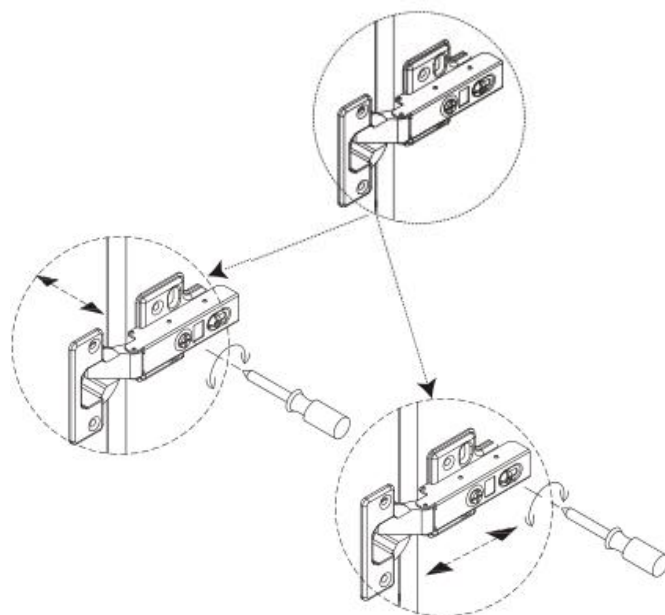
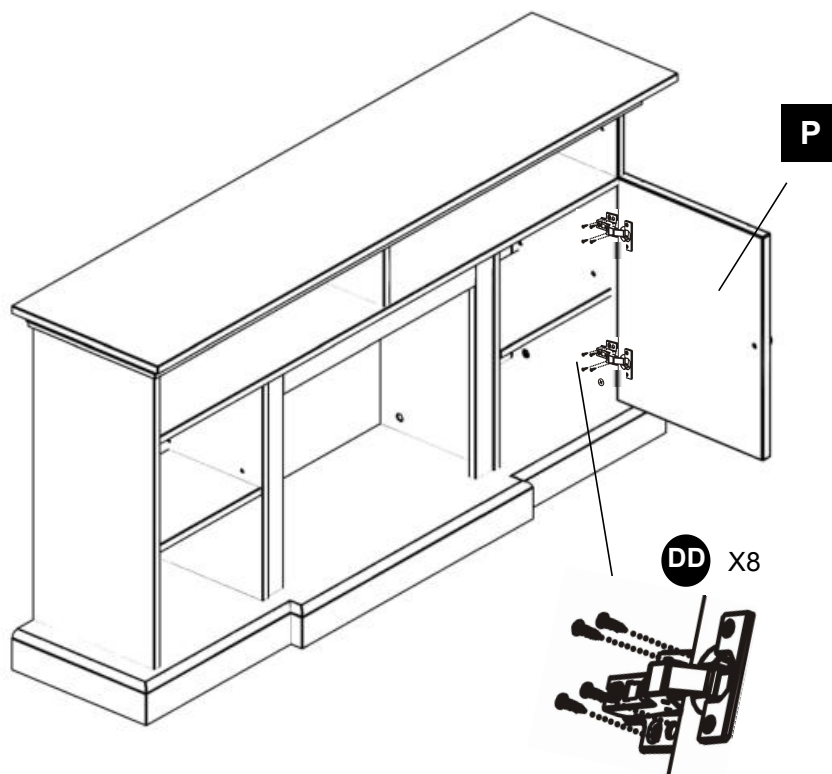


18.



PACKAGE STEPS

19.

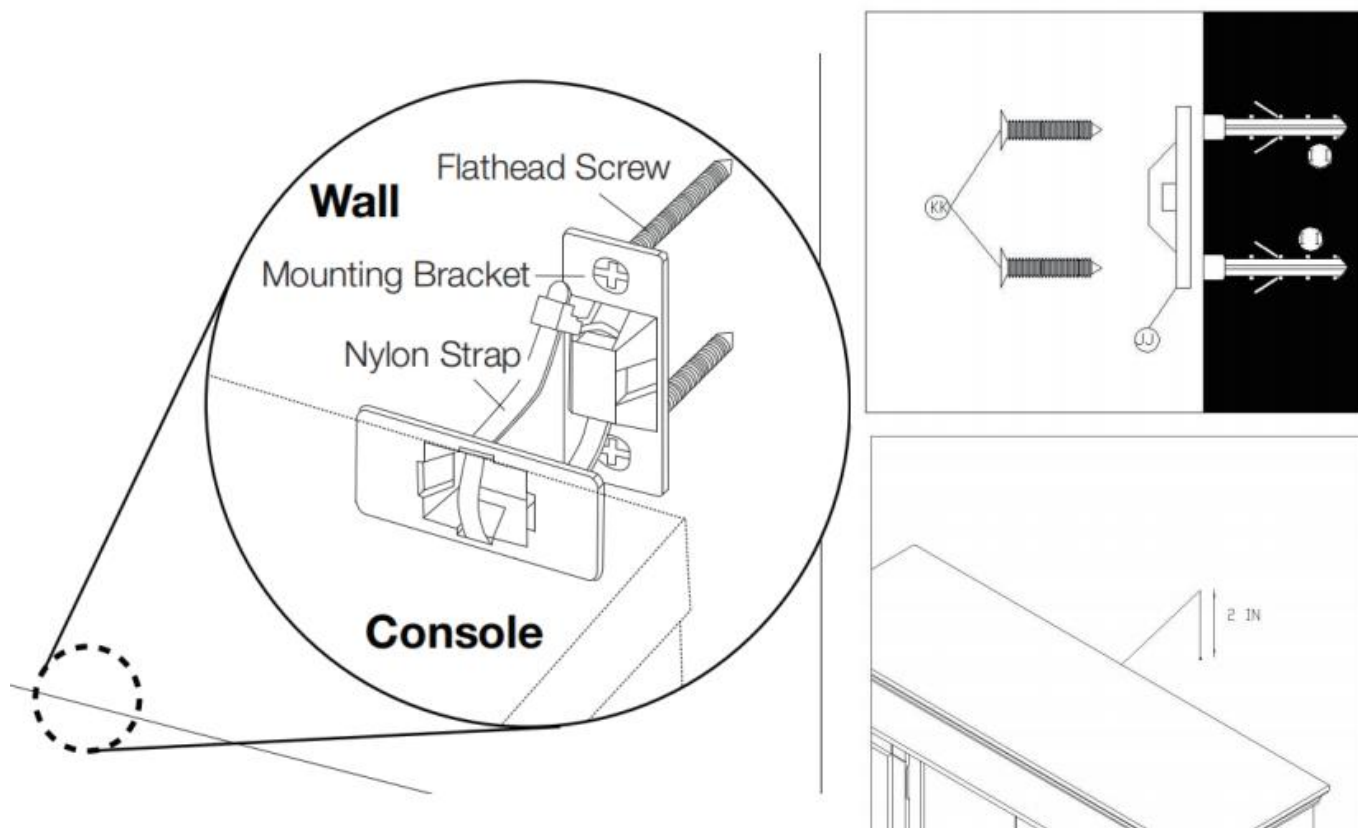


PACKAGE STEPS

IMPORTANT-Safety Chain Installation

WARNING:

This mantel is heavy furniture. Please be sure to correctly attach the safety chain to both the mantel and an adjacent wall. Failure to do so can cause serious injury or death.



INSTALLATION:

- Assemble the mantel and place it in position
- Attach one end of the chain to a wall stud using the screw included
- Attach the other screw - through a link in the chain - to the center of the mantel's top board (you may need to drill a small starter hole). Put the screw through the chain link that allows the least amount of slack in the chain.
- Carefully test that the installed chain adequately prevents tipping or tilting of the mantel.

NOTE: The chain must be as short as possible to prevent the mantel tipping forward. Do not allow slack in the chain.