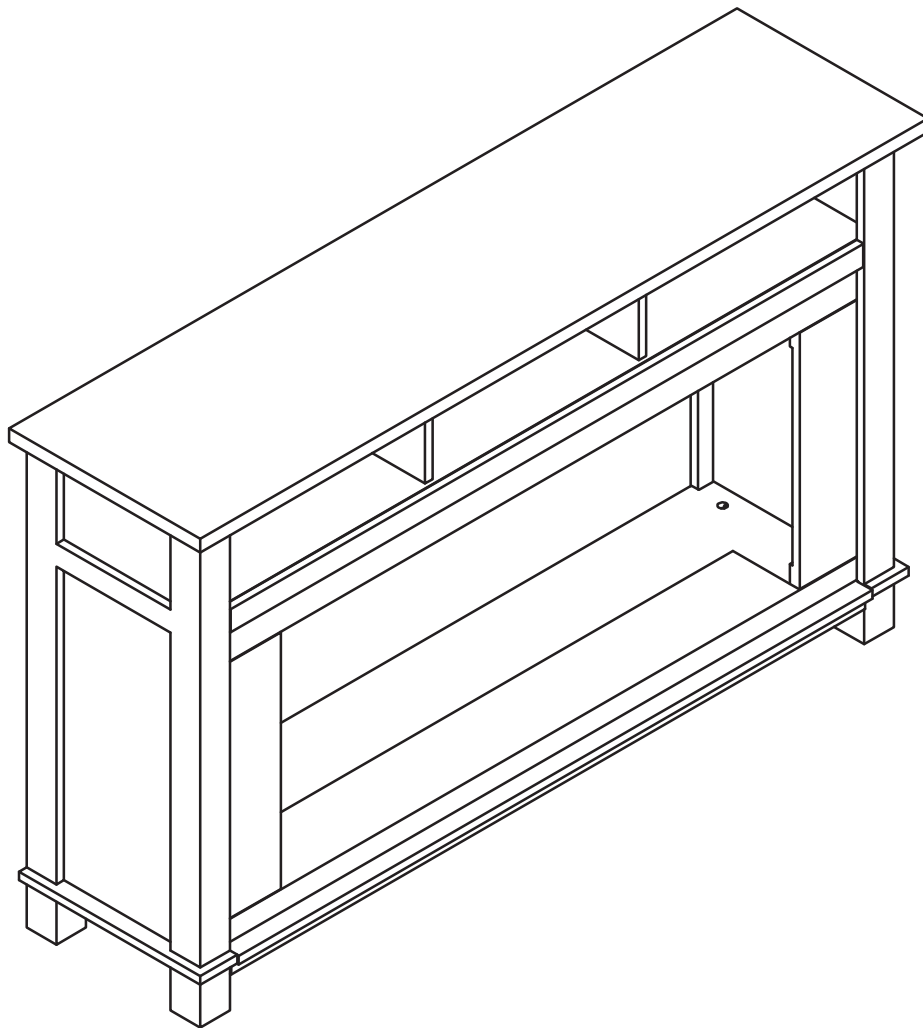


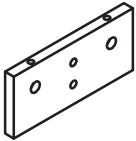
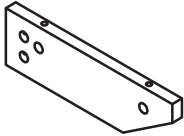


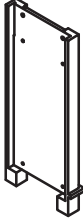
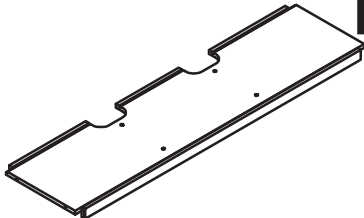
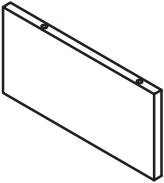
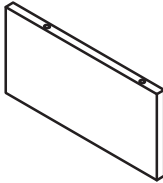
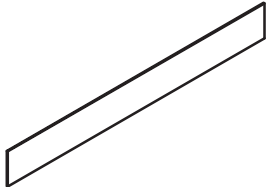
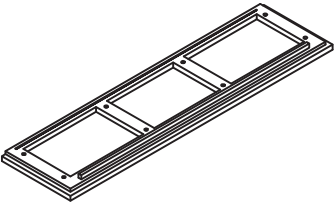
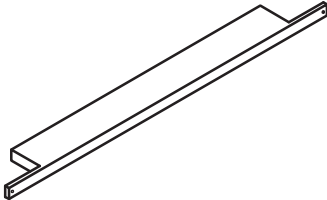
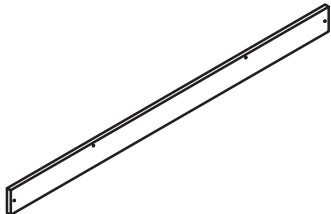
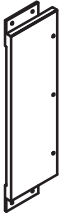

# MANTEL

## MODEL

X5735-1



# PACKAGE CONTENTS

 <p><b>A</b></p>	 <p><b>B</b></p>	 <p><b>C</b></p>
 <p><b>D</b></p>	 <p><b>E</b></p>	 <p><b>F</b></p>
 <p><b>G1</b></p>	 <p><b>G2</b></p>	 <p><b>H</b></p>
 <p><b>I</b></p>	 <p><b>J</b></p>	 <p><b>K</b></p>
 <p><b>L1</b></p>	 <p><b>L2</b></p>	

# PACKAGE CONTENTS

**AA**



Bolt  
Qty.26

**BB**



Metal  
Connector  
Qty.26

**CC**



Screw  
M4\*25  
Qty.12

**DD**



Screw  
M4\*16  
Qty.8

**EE**

(only for fire box)



Screw  
M4\*12  
Qty.6

**SS**



X2



X2



X1



X2 (4\*35MM)



X2 (4\*15MM)

Safety Chain Qty.1

## PACKAGE CONTENTS

---

PART	DESCRIPTION	QTY.	PART NO.
A	Base Across Panel	1	
B	Base Erect Panel	1	
C	Bed Plate	1	
D	Left Side Panel	1	
E	Right Side Panel	1	
F	Inner Panel	1	
G1	Top Shelf Divider	1	
G2	Top Shelf Divider	1	
H	Back Panel	1	
I	Top Panel	1	
J	Lower Back Panel	1	
K	Top Trim Panel	1	
L1	Left Trim Panel	1	
L2	Right Trim Panel	1	
AA	Bolt	26	
BB	Metal Connector	26	
CC	M4*25 Screw	12	
DD	M4*16 Screw	8	
EE	M4*12 Screw	6	
SS	Safety Chain	1	

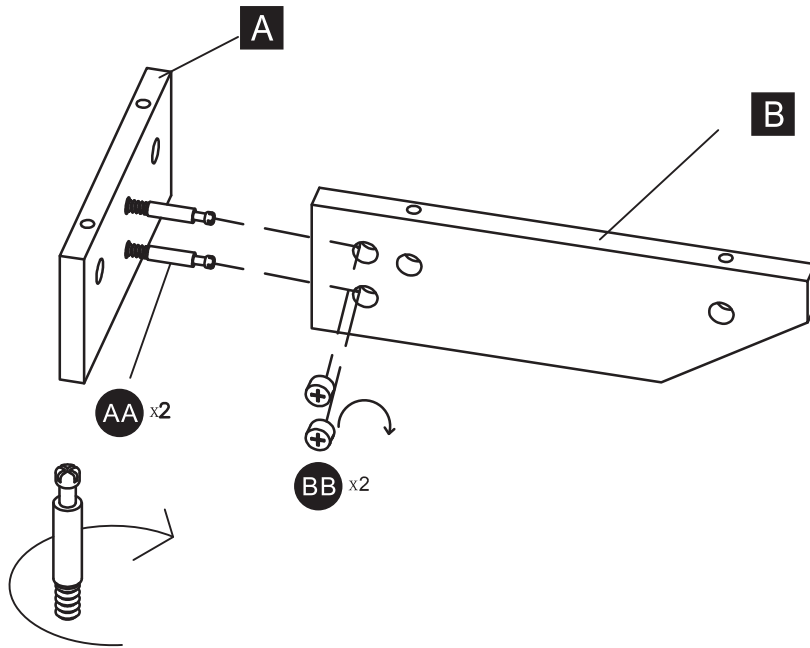
Some parts and specifications may change without notice.

Carefully remove all pieces from the carton and make sure that you have all parts listed (refer to parts list on page 2-3)

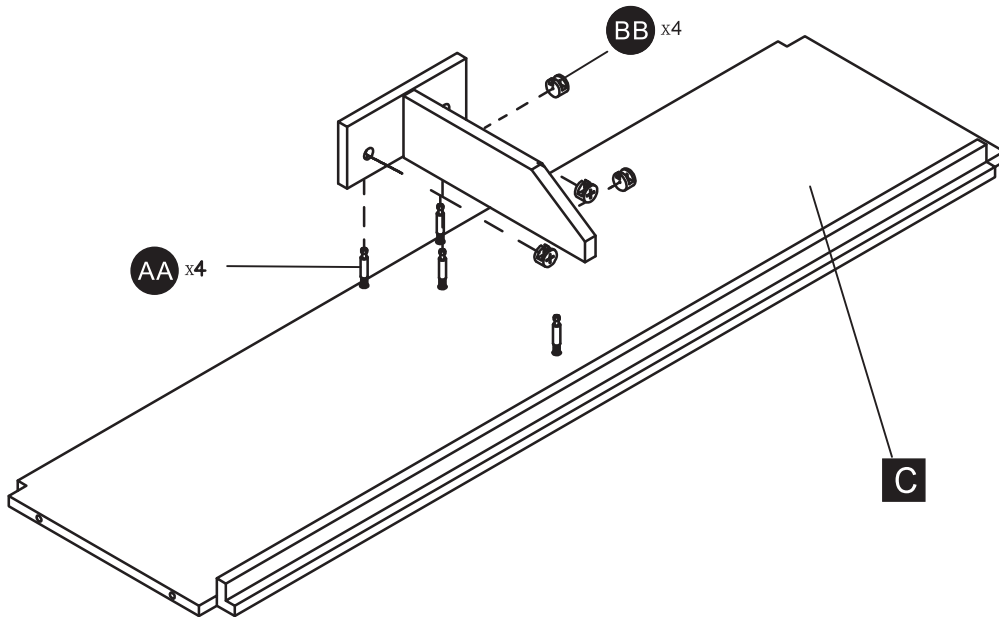
# PACKAGE CONTENTS

---

1.



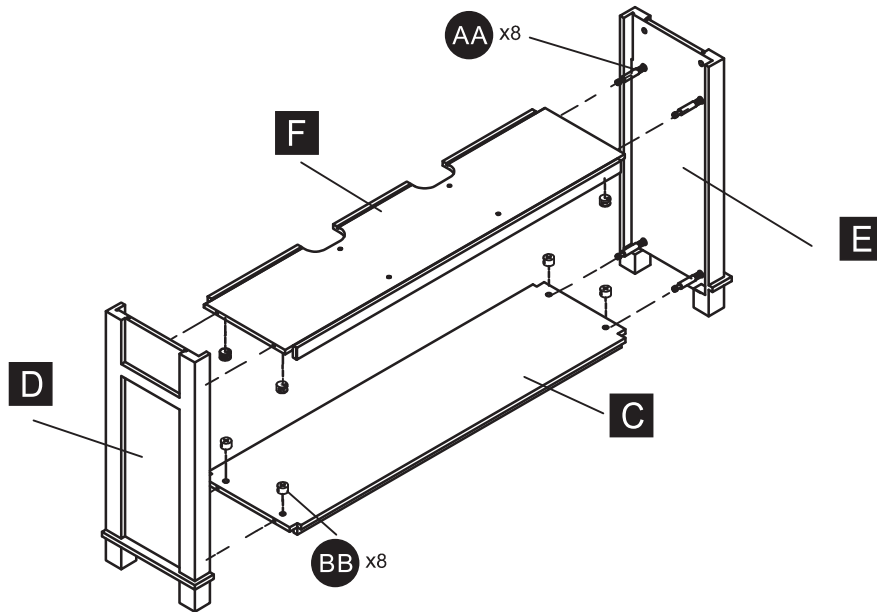
2.



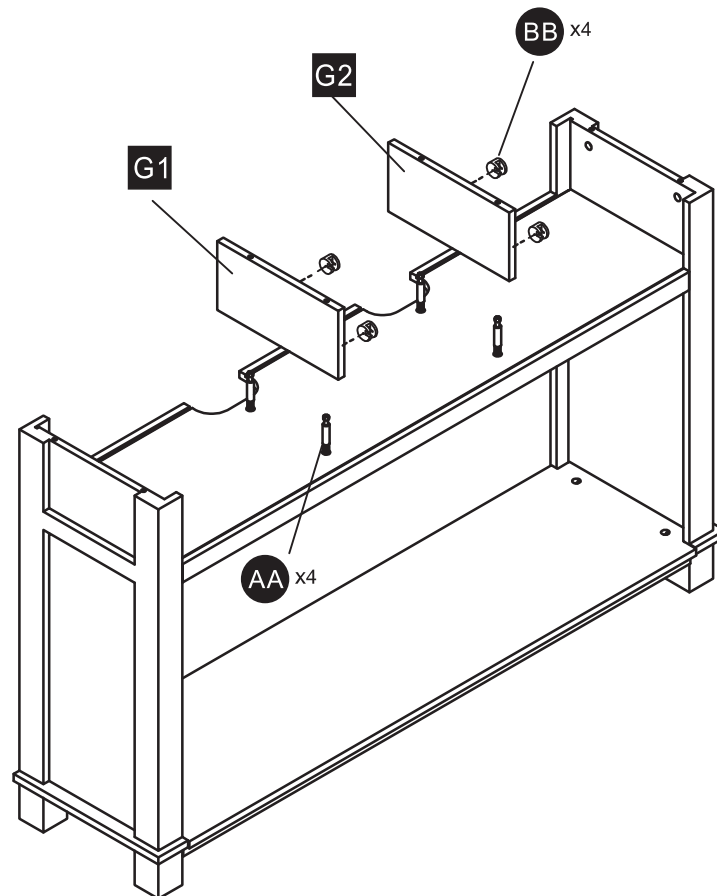
# PACKAGE CONTENTS

---

3.



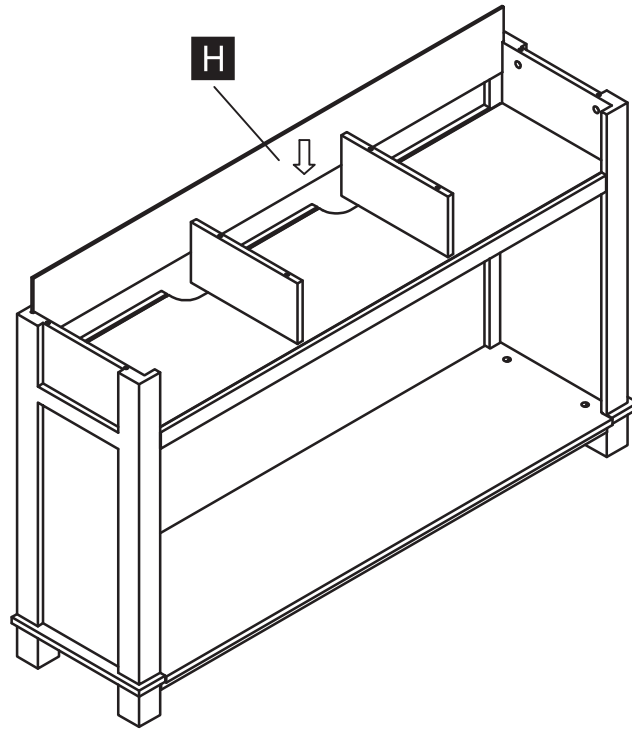
4.



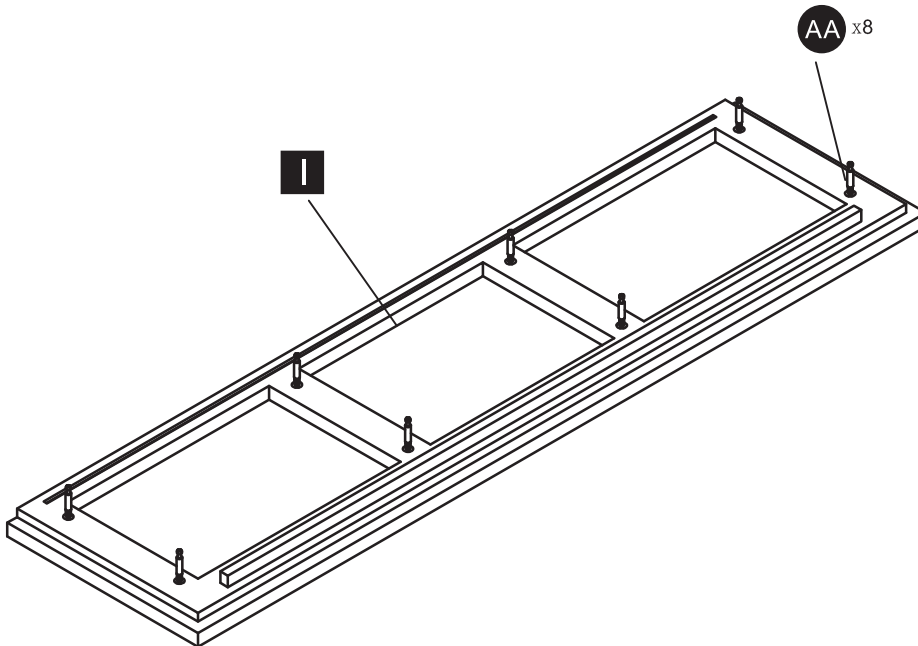
PACKAGE CONTENTS

---

5.



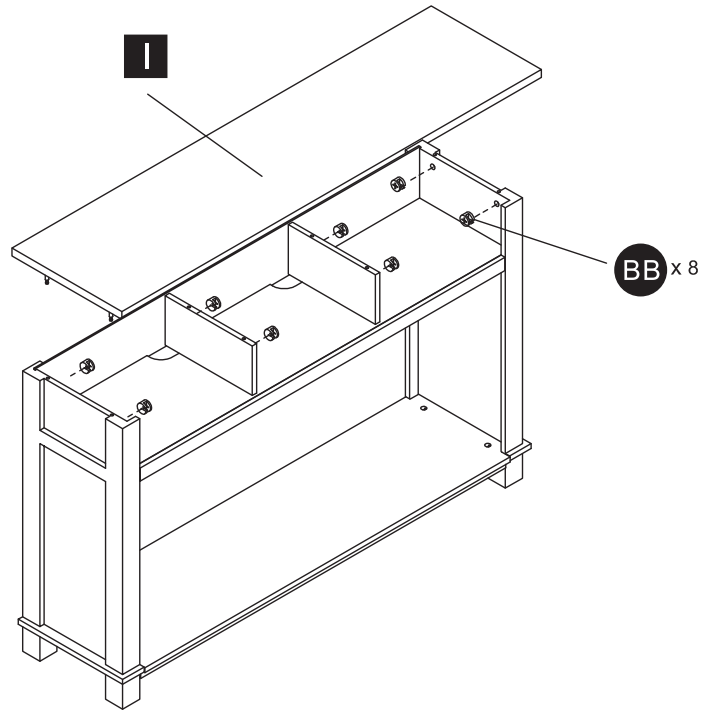
6.



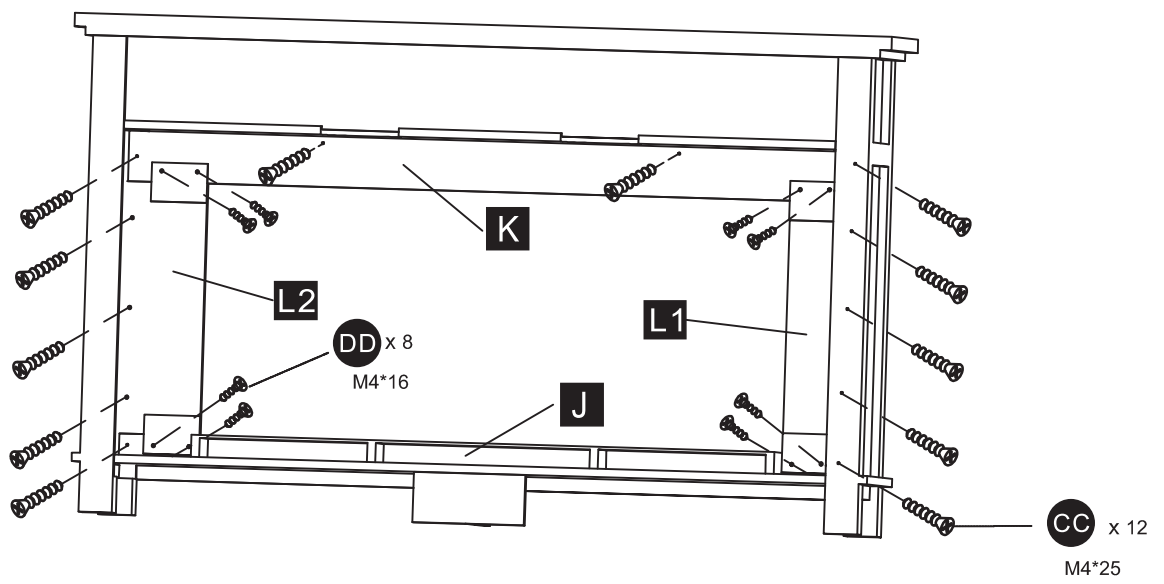
# PACKAGE CONTENTS

---

7.



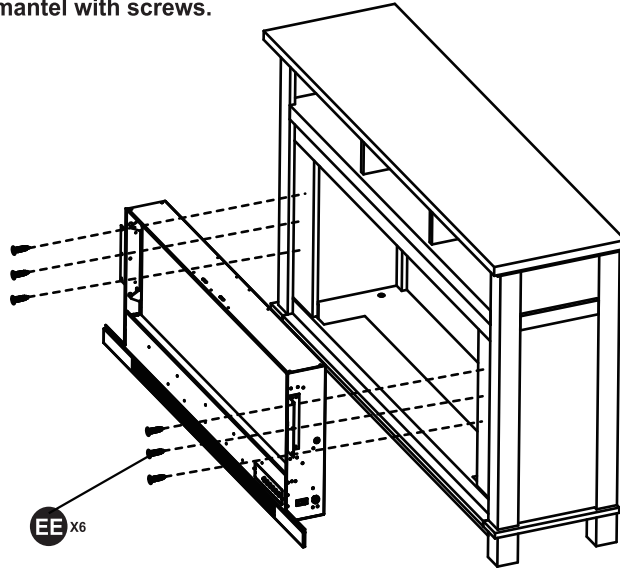
8.



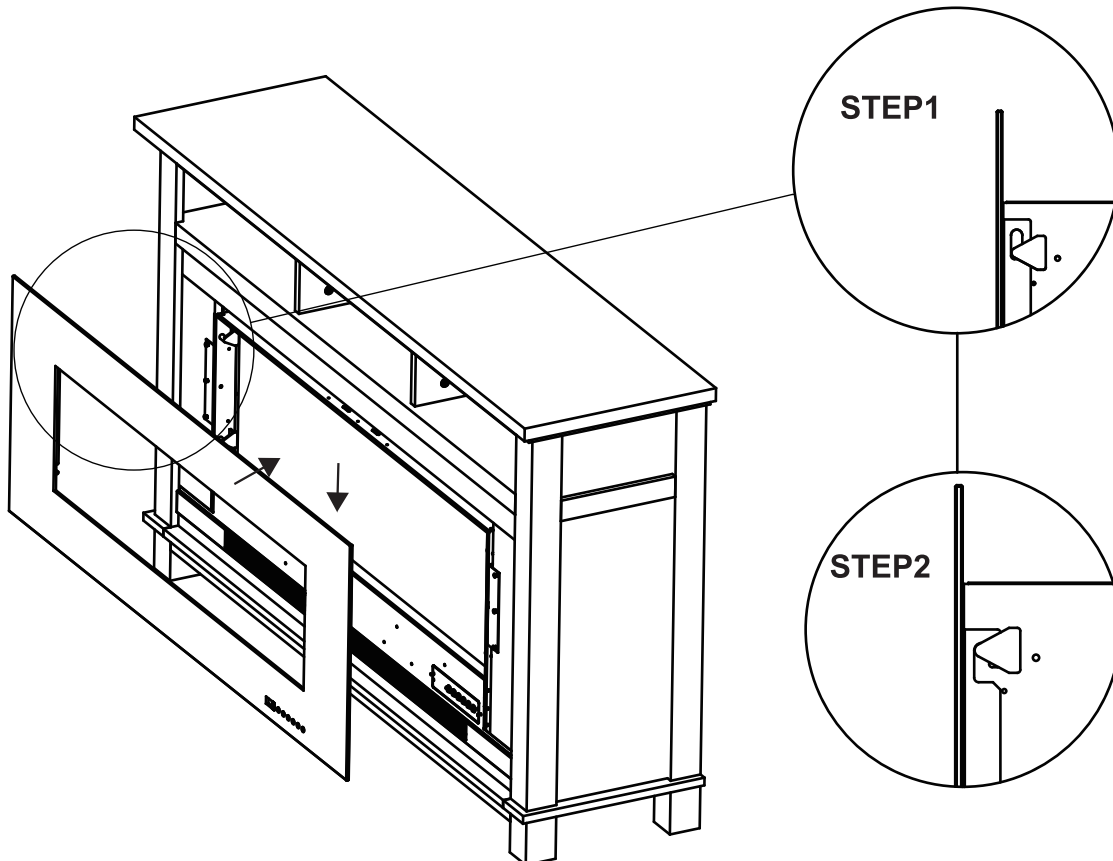
9.

**Inserting the fire box X50WMEF1BLK/WHT**

- (1). Remove the outer glass from the fire box (Please refer to the fire box manual ( Page 6) supplied with the fire box)
- (2). Set the fire box into the mantel and secure the side trim pieces on the mantel with screws.



- (3). Reinstall the glass pane onto the fire box.





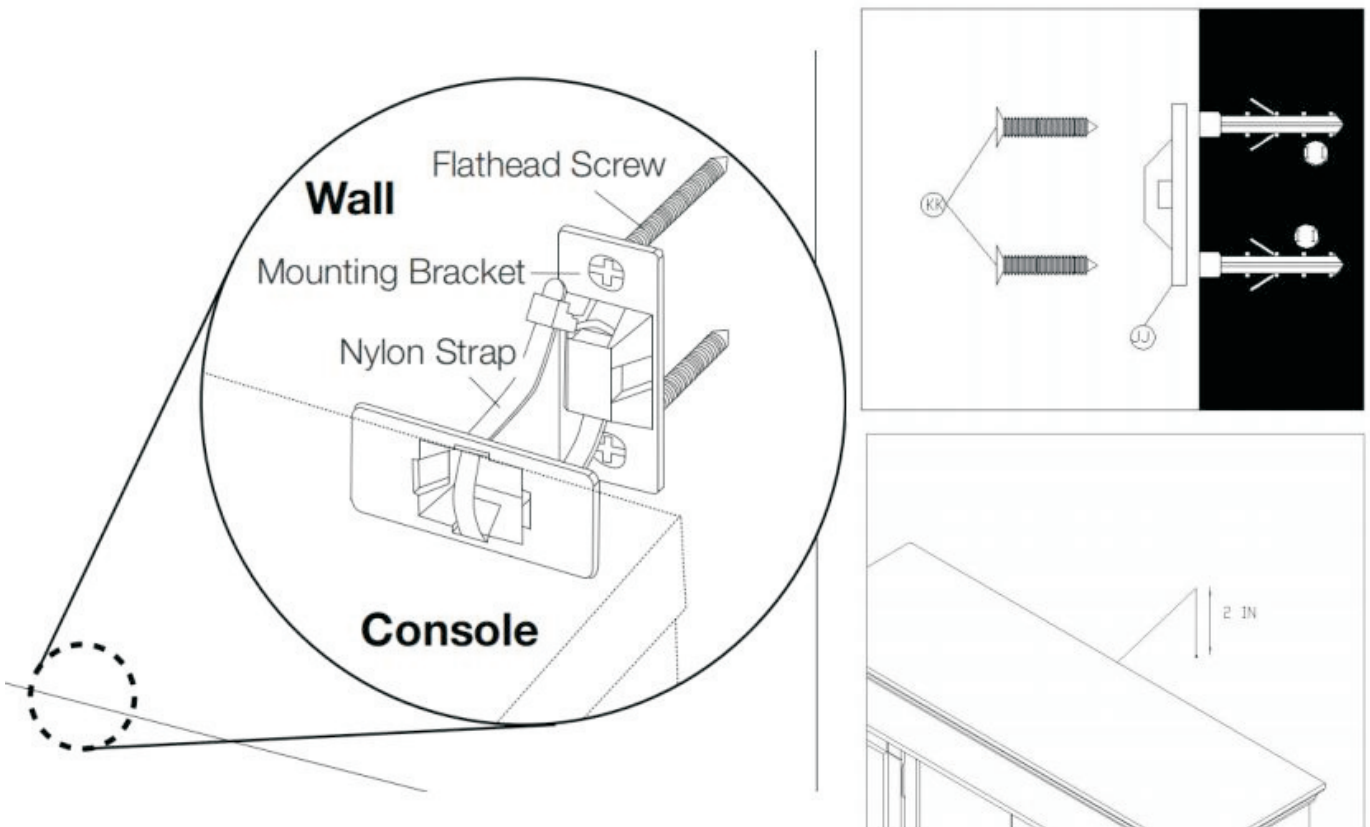
## PACKAGE STEPS

---

### IMPORTANT-Safety Chain Installation

#### WARNING:

This mantel is heavy furniture. Please be sure to correctly attach the safety chain to both the mantel and an adjacent wall. Failure to do so can cause serious injury or death.



#### INSTALLATION:

- Assemble the mantel and place it in position
- Attach one end of the chain to a wall stud using the screw included
- Attach the other screw - through a link in the chain - to the center of the mantel's top board (you may need to drill a small starter hole). Put the screw through the chain link that allows the least amount of slack in the chain.
- Carefully test that the installed chain adequately prevents tipping or tilting of the mantel.

NOTE: The chain must be as short as possible to prevent the mantel tipping forward. Do not allow slack in the chain.