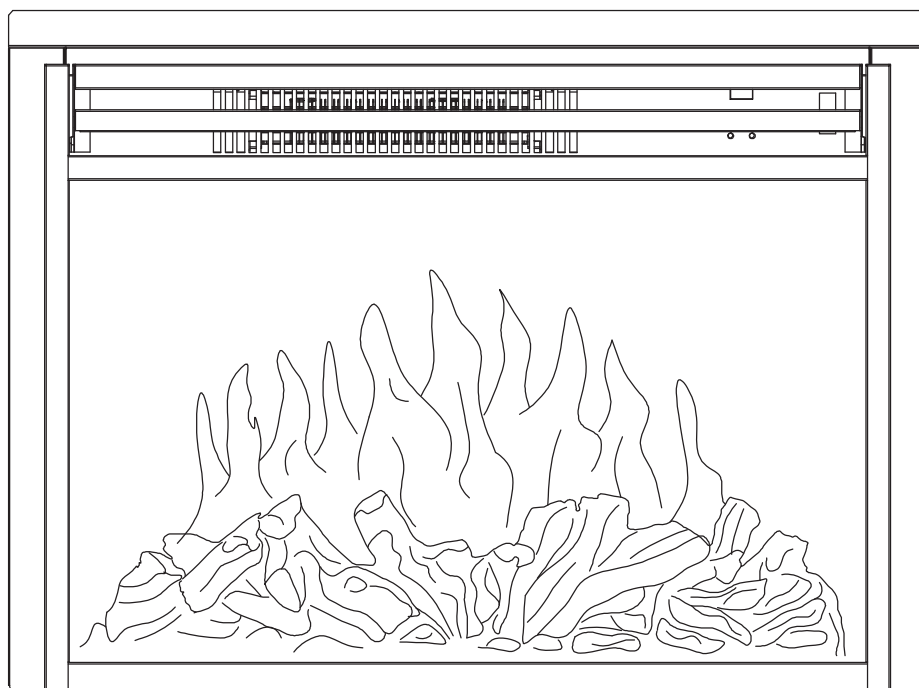


# Installation and Operation Instructions

## ELECTRIC FIREPLACE

### XINS2417-1DLOG



#### **READ & SAVE THESE INSTRUCTIONS**

Carefully read and review before assembling, installing, operating or maintaining this product. Observe all safety instructions and information.

**FAILURE TO FOLLOW WARNINGS & OPERATIONAL INSTRUCTIONS CONTAINED IN THIS MANUAL CAN RESULT IN PROPERTY DAMAGE OR PERSONAL INJURY.**



# TABLE OF CONTENTS

---

Important Safety Instructions .....	2-3
Listing Approvals .....	4
Operating Instructions .....	5
Control Buttons/FunctionS .....	6
Remote Control .....	7
Troubleshooting .....	8
Installation .....	9
Inserting firebox .....	10

## CONSUMER SAFETY INFORMATION

---

- Read this manual before installing and operating this appliance.
- Failure to follow these instructions may result in electric shock, fire property damage, personal injury and will void the warranty.
- Requires the use of Fireplace Mantel.
- Do not store or use gasoline or other flammable liquids or vapors in the vicinity of this appliance.

## IMPORTANT SAFETY INSTRUCTIONS

---

When using electrical appliances, basic precautions should always be followed to reduce the risk of fire, electric shock and injury to persons including the following:

1. The manufacturers instructions completely before using this appliance.
2. This appliance will become hot when in use. To avoid burns, do not let bare skin touch hot surfaces. The grill at the top of this heater in particular will become hot when the heater is active. Keep combustible materials such as furniture, pillows, bedding, paper, cloth, curtains, etc. at least 3 feet (0.9meter) away from the front of the appliance. Keep all items away from the sides and back of the appliance and take special care not to block the air intake or exhaust vents.
3. Extreme caution is necessary when the appliance is used by or near children or invalids and whenever the heater is left operating and unattended.
4. Do not operate the heater if the power cord or plug has been damaged or the heater has been damaged or malfunctioned in any way. Take the appliance to an authorized service facility for examination, electrical or mechanical adjustment or repair.
5. Do not use outdoors.
6. Do not use the appliance in bathrooms, laundry rooms or other similar indoor locations where it may contact water. Never locate the appliance where it may fall into a bathtub or other water container.
7. Do not run the power cord under carpeting. Do not cover the power cord with throw rugs, runners, or similar floor coverings. Take care to position the cord away from high traffic areas and such that it can't be tripped over.
8. To disconnect the appliance, turn all controls "OFF", and then remove the plug from the electrical outlet.
9. The appliance comes equipped with a 3 prong-grounding plug. Do not attempt to cut the grounding prong. Connect to properly grounded 120V outlets only. This appliance, when installed, must be electrically grounded in accordance with local codes or, in the absence of local codes, with the current.
10. Do not insert or allow foreign objects to enter any ventilation or exhaust openings as this may cause an electric shock or fire, or damage the appliance.
11. To prevent a possible fire, do not block air intakes or exhausts in any manner. Do not use on soft surfaces, like a bed, where openings may become blocked.

12. All electrical heaters have hot and arcing or sparking parts inside. Do not use in areas where gasoline, paint, or flammable liquids are used or stored or where the appliance will be exposed to flammable vapors.

13. Avoid using the appliance with an extension cord. Extension cords may overheat and cause a risk of fire. If an extension cord MUST be used, the cord must be No.16 AWG minimum size and rated not less than 1875 Watts. The extension cord must be a 3-prong cord with grounding type plug and cord connection and should not exceed 20' (6m) in length.

14. When transporting or storing the heater, take care to keep both the unit and power cord / plug dry, free from excessive vibration and away from heat sources.

15. Use the heater only as described in this manual. Any other use not recommended by the manufacturer may cause fire, electric shock, or injury to persons.

16. Do not attempt to burn wood or other materials in this heater.

## **SAVE THESE INSTRUCTIONS**

---

# LISTING APPROVALS

---

This heater has been tested in accordance with the CSA Standards.

Model Number:	XINS2417-1DLOG
Description:	Electric Fireplace
Voltage:	120V AC, 60Hz
Watts:	MAX 1500 W
Length:	23.0 "
Height:	17.7 "
Depth:	7.0 "

## OPERATING INSTRUCTIONS

---

Read all instructions and warnings prior to operating the appliance.

Ensure that all control are in the "OFF" position before plugging the appliance into a properly grounded electrical outlet.

The Master Power Button is located on the firebox behind the upper front access panel(see Figure 1)

The control buttons are located on the firebox behind the upper front access panel (see Figure 1)

Flip down the face plate at the top to access the controls

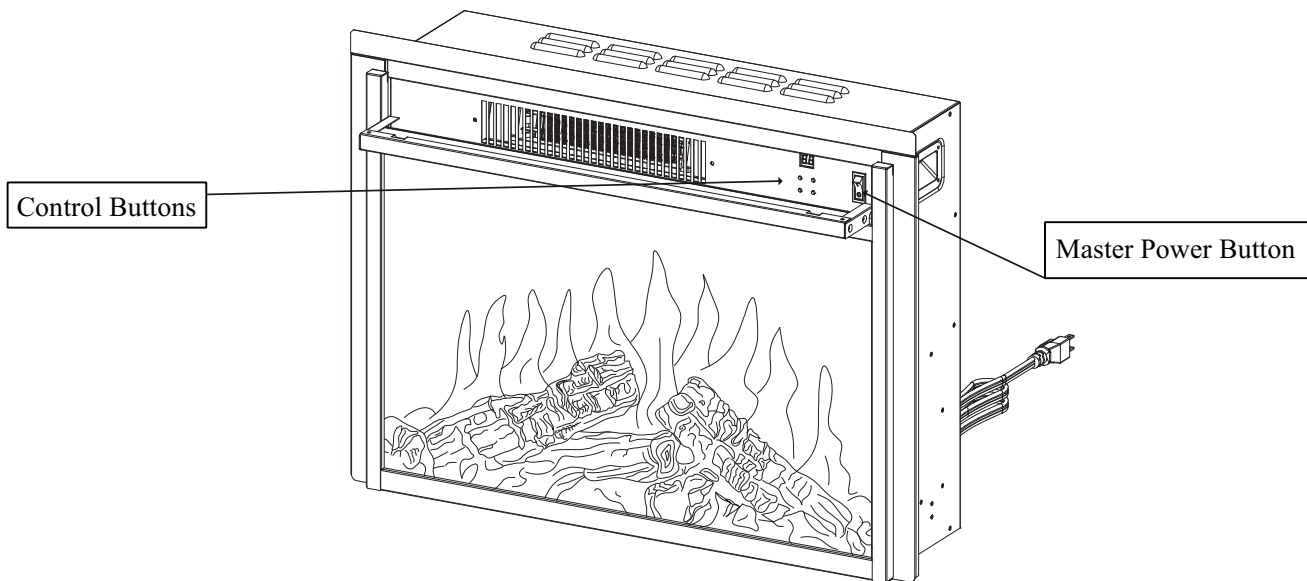


FIGURE 1

### CARE AND CLEANING OR MAINTENANCE

Turn heater OFF and unplug from electrical outlet before any cleaning or maintenance is performed.

Keep combustible materials, such as furniture, pillows, bedding, papers, clothing, and curtains at least 3 feet away from fireplace.

Use a vacuum or duster to keep heat and vent area from dust and dirt. The exterior of the fireplace should be cleaned with a damp cloth or duster. Do not use abrasive cleaners or liquid sprays.

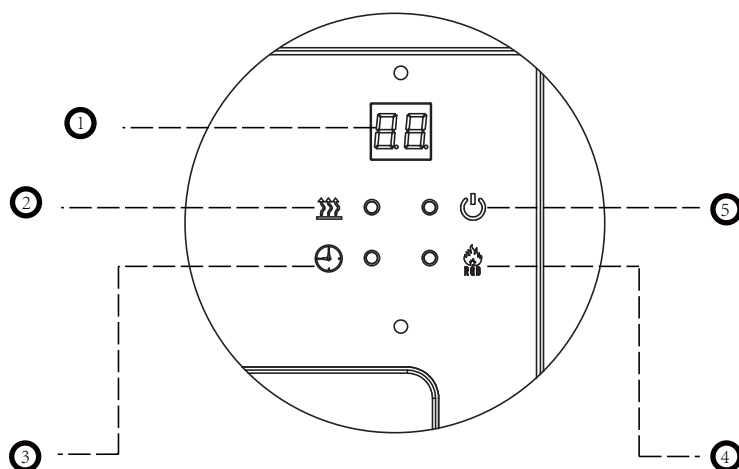
Warning: Any other servicing should be performed by an authorized service representative.

## CONTROL BUTTONS/FUNCTIONS

---



Master Power Button



Control Buttons

---

Power ON\OFF:(The master power switch must be "on")Power to the unit.

### ① DISPLAY WINDOWS

---

### ② HEATER SETTINGS

This fireplace insert consists of a fan forced electric heater with two heater settings, 800 W(L) or 1,500W(H).

Press the button once (the digital screen shows 'Lo' ).

Press the button a second time (the digital screen shows 'HI' ).

Press the button a third time to turn the heater off.

**Note: the fan may continue to run for a short time after the heater is turned off.**

**The fan will turn off automatically.**

### ③ TIMER

---

This electric fireplace is equipped with a timer ranging from 1 hour to 9 hours.

Press the timer button on the insert panel once for 1 hour, twice for 2 hours etc (the digital screen appears from '1H' to '9H' when settings, and so on).

### ④ FLAME COLOR AND BRIGHTNESS ADJUSTMENT

---

Press this button to change the flame color.

There are 5 colors F1 to F5 .

Press the button to change the color. It appears the related flame number on the digital screen.

Press the button for 3 seconds to change the flame brightness.

There are 5 levels L5 to L1.It appears the related flame number on the digital screen.

### ⑤ POWER ON/OFF BUTTON

---

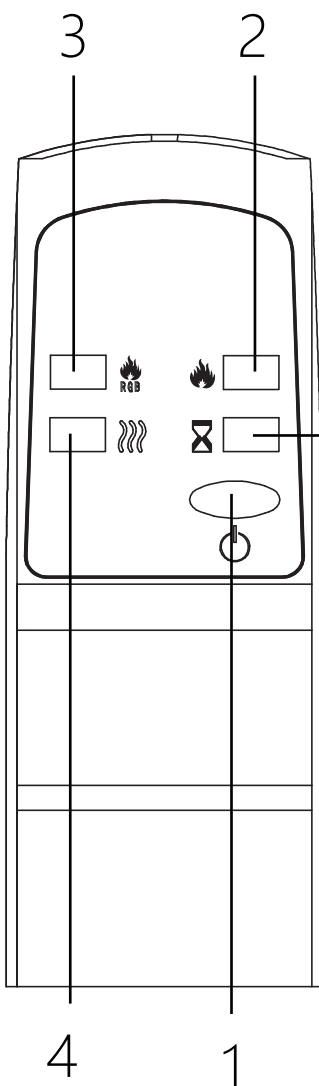
Press the button once to turn on the power.

Press the button again to turn off all functions.

# REMOTE CONTROL

\*Remote Control Requires Two AAA Batteries not included.

A master button is located on the top left hand side of the insert. This button must be turned 'On' to operate remote control. Turn button to 'Off' to disable the use of the remote control.



1. Press the power button once to turn on the power.  
Press the button again to turn off all functions.



2. Press the button to change the flame brightness, there are 5 levels from High to Low (L5 to L1).  
It appears the related flame number on the digital screen.



3. Press this button to change the flame color.  
There are 5 colors F1 to F5 .  
Press the button to change the color.  
It appears the related flame number on the digital screen.



4. This fireplace insert consists of a fan forced electric heater with two heater settings, 800 watts or 1,500 watts.  
Press the button once (the digital screen shows 'Lo').  
Press the button a second time (the digital screen shows 'Hi').  
Press the button a third time to turn the heater off.



5. This electric fireplace is equipped with a timer ranging from 1 hour to 9 hours.  
Press the timer button on the insert panel once for 1 hour, twice for 2 hours etc  
(the digital screen appears from '1H' to '9H' when settings, and so on).



**Care and maintenance:**

Turn heater OFF and unplug from electrical outlet before any cleaning or maintenance is performed.

Keep combustible materials such as furniture, pillows, bedding, papers, clothing, and curtains at least 3feet (0.9meter) away from fireplace.

Use a vacuum or duster to keep heat and vent area clean from dust and dirt. The exterior of the fireplace should be cleaned with a damp cloth or duster. Do not use abrasive cleaners or liquid sprays.



**Warnings and cautions:**

**WARNING** To avoid electrical shock never open the back panel of the until the power has been turned off, and the insert unplugged.

**WARNING** Any electrical repairs to this electric fireplace, should only be performed by a qualified technician.

**WARNING** Any electrical wiring repairs should only be performed by qualified electrician, and also must comply with local building codes.

**WARNING** Discontinue use of this electric fireplace if any of the follow has occurred: Water damage, if insert has been dropped or dented, if power cord has become broken, if power cord becomes hot to touch, if unit smokes or smells like smoke.

**Note:** When the heat function is used for the first time, a slight odor may be present. This is normal and should not occur again unless heater is not used for extended periods of time and dust is allowed to accumulate on heater element.

## **TROUBLE SHOOTING**

---

**WARNING: Turn off the appliance, unplug and let cool for at least 10 minutes before attempting to service. Only a qualified professional should attempt to service or repair the appliance.**

<b>PROBLEM</b>	<b>POSSIBLE CAUSE</b>	<b>CORRECTIVE ACTION</b>
1.No power, no indicator lights	Insert was not plugged in	Make sure that power cord is plugged into 120V outlet
2.No power, no indicator lights	No power at outlet	Check circuit breaker or fuse
3.Log glow, but no flame	Flame spinner disconnected	Call customer service for instructions
4.Flame and logs glow, but no heat	Heater switch is off	Push heater button. Indicator light will come on
5.Heater and /or flame turn off while operating	Timer function may been on	Push On/Off button to reset

# INSTALLATION

## PLANNING INSTALLATION

To avoid scratching the finish, assemble the product on a soft, non-abrasive surface, such as carpet or cardboard. Assembly of this product may require more than one person.

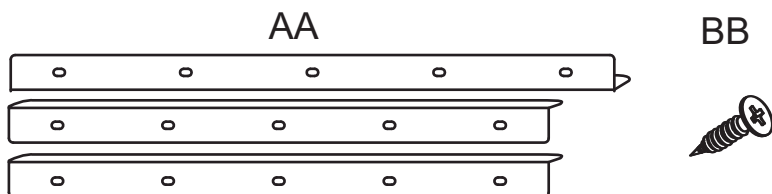
## TOOLS REQUIRED



Safety Goggles Phillips screwdriver

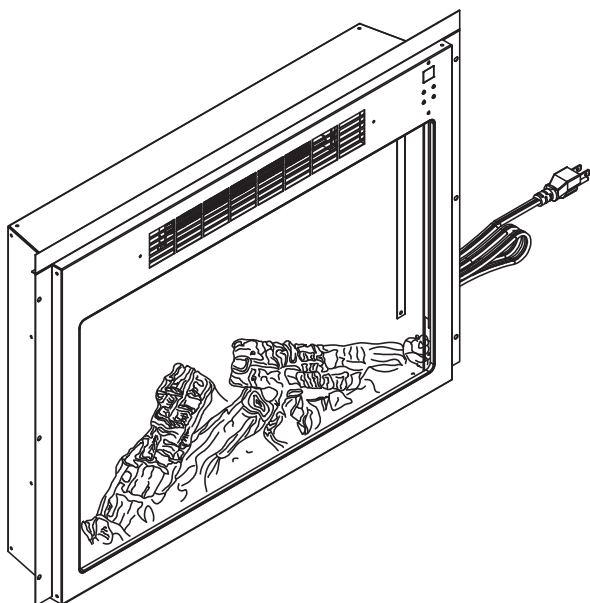
## HARWARE INCLUDED

Note: Hardware not shown to actual size.



PART	DESCRIPTION	QUANTITY
AA	Trim Pieces	3
BB	Small Screws	24

## PACKAGE CONTENTS



PART	DESCRIPTION	QUANTITY
A	Fireplace Insert	1
B	Remote Control	1

## Assembly (continued)

### Inserting the firebox

- Attach the metal brackets(S) to all three sides of the firebox and two sides of the mantel to ensure that your firebox does not move around as you use it. Insert and tighten the 2 (PP) screws. Attach the left and right side trim by inserting and tightening 2 (PP) screws. 1 spare (PP) screw included.
- Insert the firebox insert(P) into the mantel from the rear. Be careful not to scratch the base(B).
- Viewing from the front check that the insert is centered.

