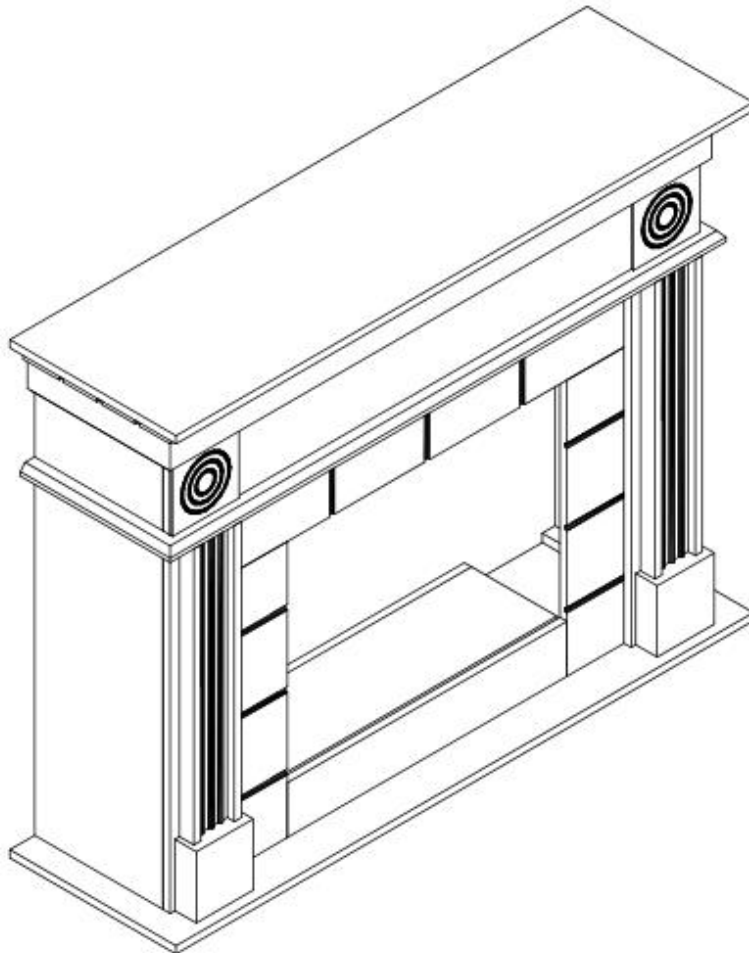


# MANTEL

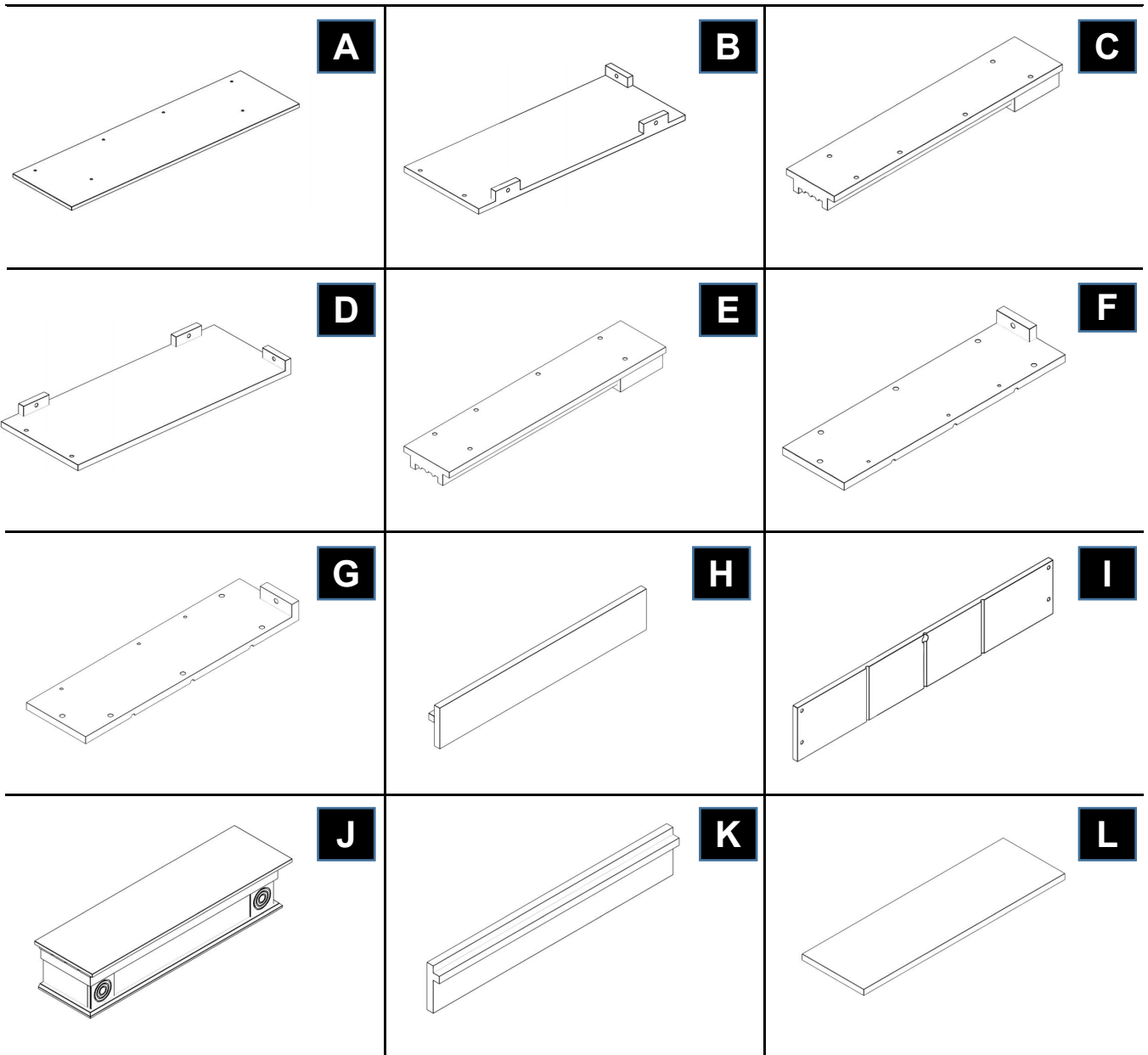
## MODEL

X4815-1WHT X4815-1TEK

X4815-1MAH X4815-1BLK



## PACKAGE CONTENTS



## HARDWARE CONTENTS

**AA**



Thumb  
Screw  
M5\*28  
Qty.37

**BB**



Washer  
Φ 7\*2  
Qty.37

**CC**



MDF  
Block  
Qty.8

**SS**



X2



X2



X1



X2 (4\*35MM)



X2 (4\*15MM)

Safety Chain Qty.1

## PACKAGE CONTENTS

---

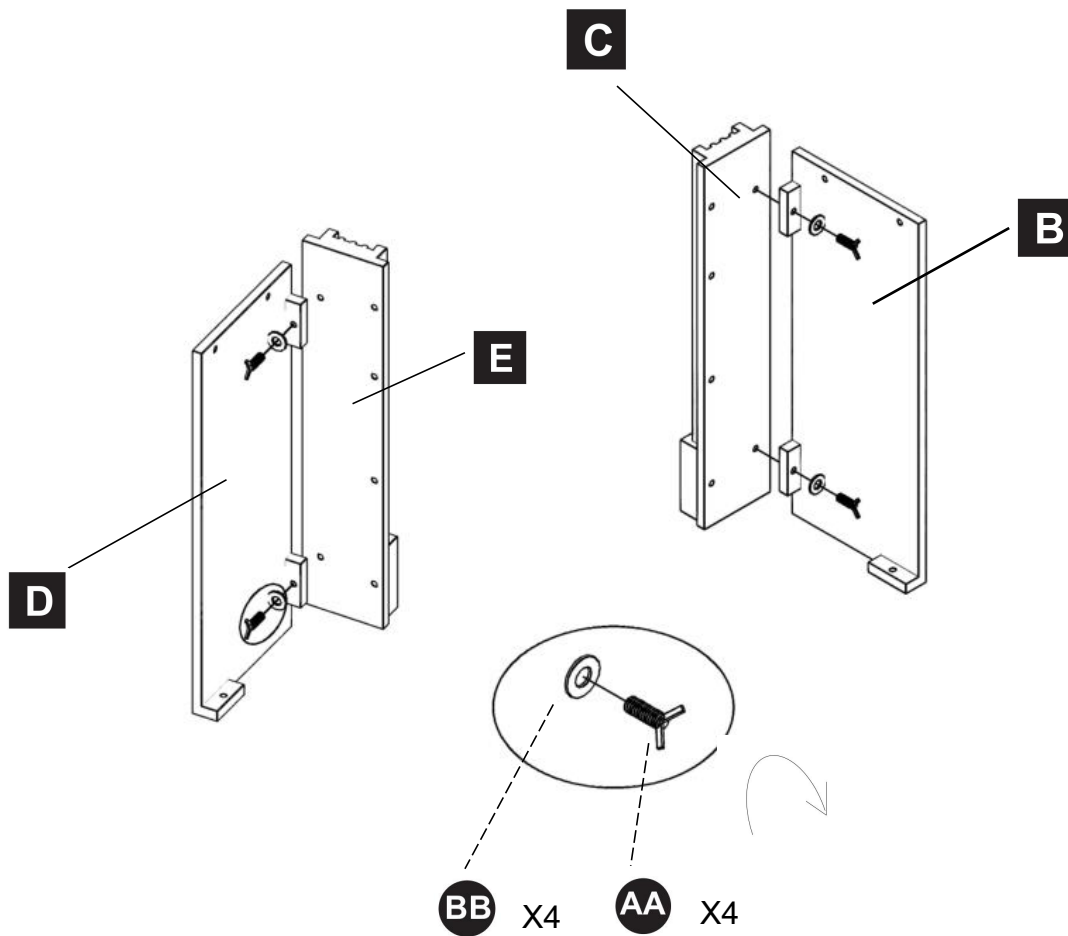
PART	DESCRIPTION	QTY.	PART NO.
A	Base	1	
B	Left Side Panel	1	
C	Left Front Panel	1	
D	Right Side Panel	1	
E	Right Front Panel	1	
F	Left Firebox Panel	1	
G	Right Firebox Panel	1	
H	Lower Panel	1	
I	Upper Firebox Trim	1	
J	Top	1	
K	Support Panel	1	
L	Bottom panel	1	
AA	Thumb Screw	37	
BB	Washer	37	
CC	MDF Block	8	
SS	Safety Chain	1	

*Some parts and specifications may change without notice.*

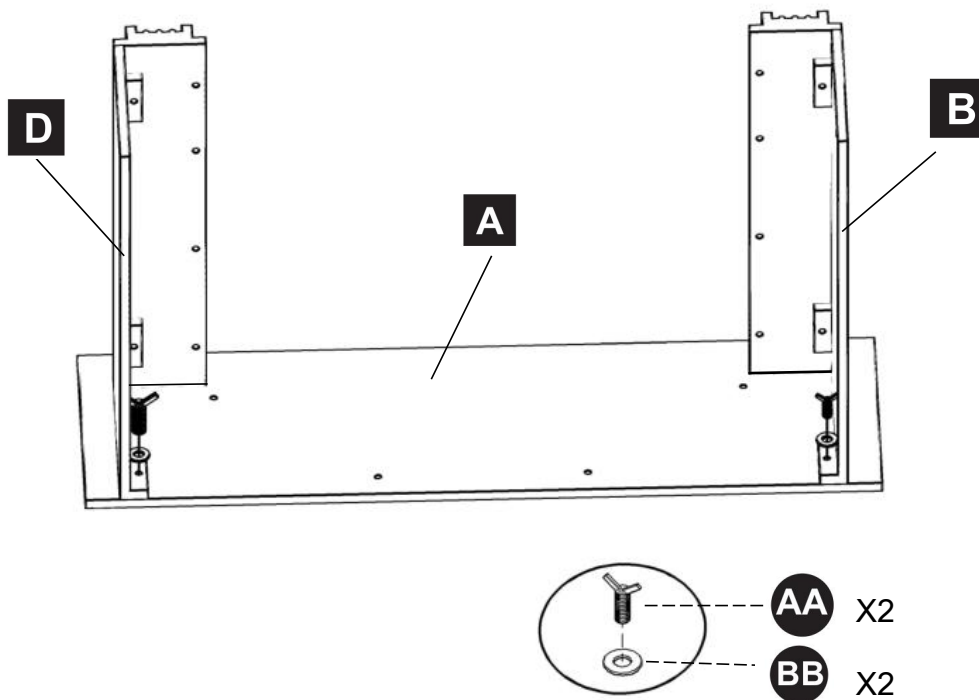
Carefully remove all pieces from the carton and make sure that you have all parts listed (refer to parts list on page 2-3).

# PACKAGE STEPS

1.

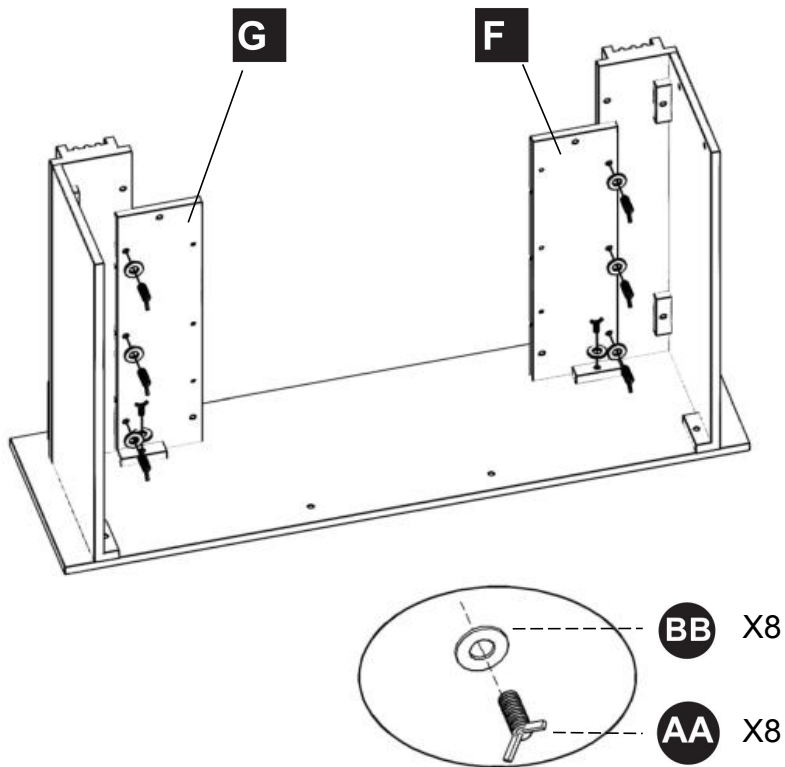


2.

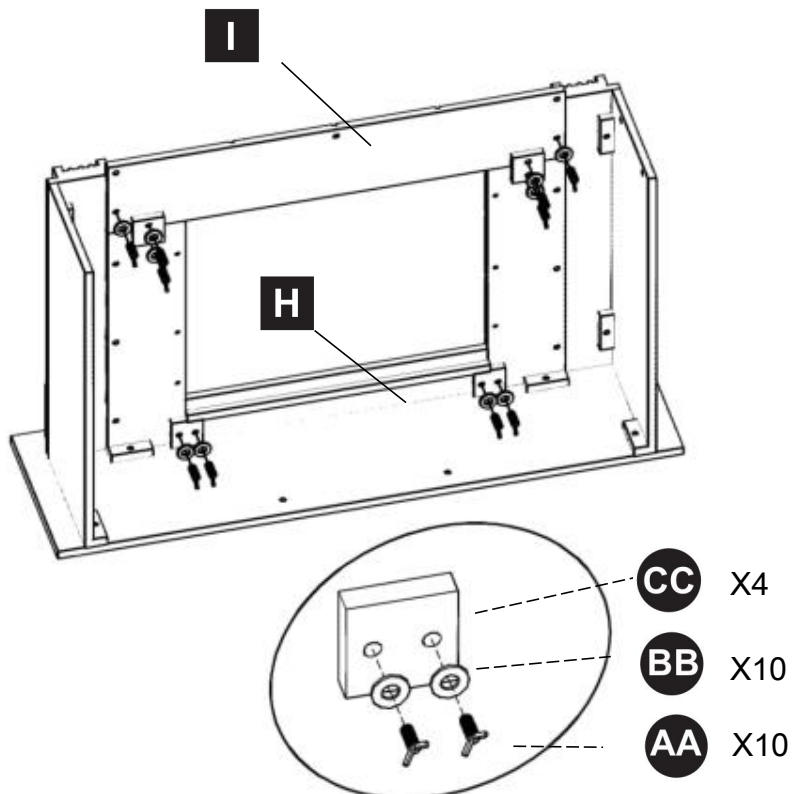


# PACKAGE STEPS

3.

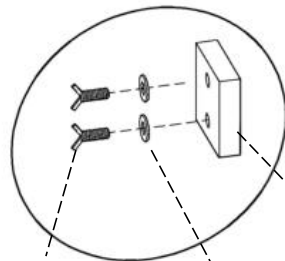
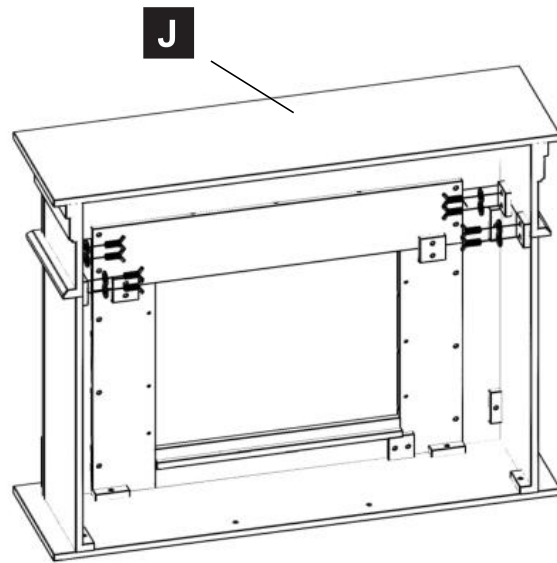


4.



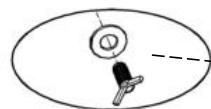
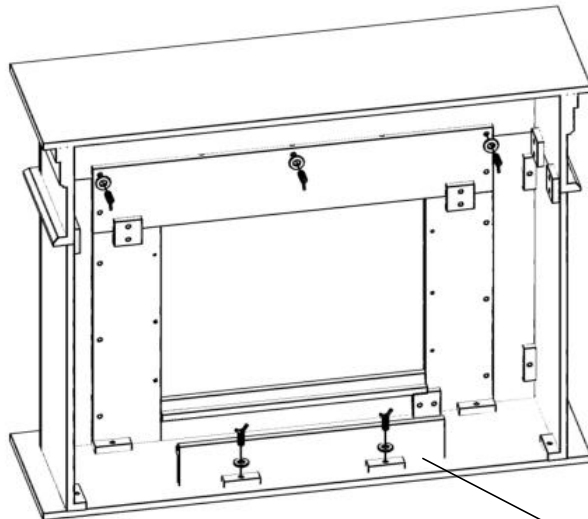
# PACKAGE STEPS

5.



**AA** X8    **BB** X8    **CC** X4

6.

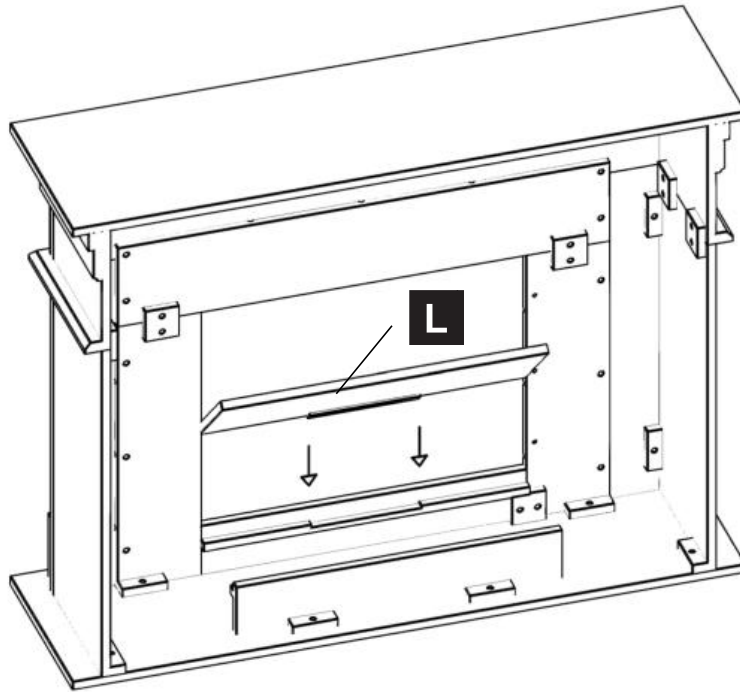


**BB** X5  
**AA** X5

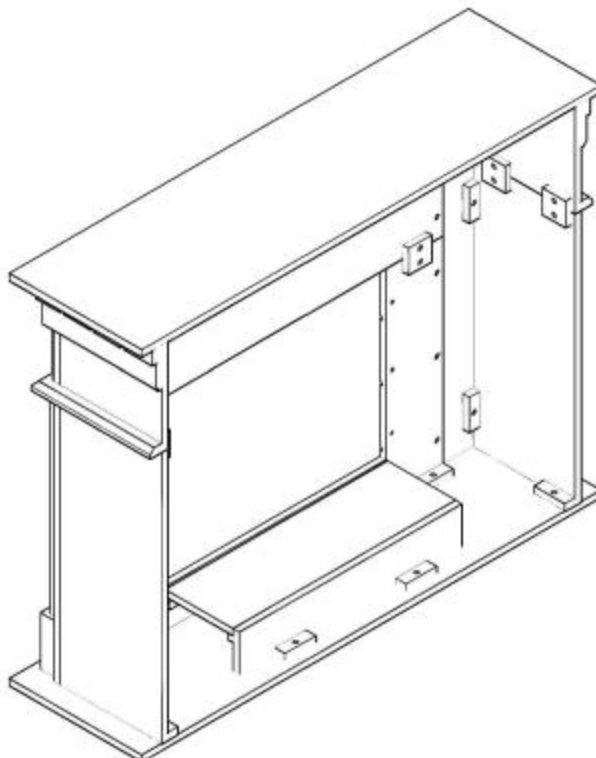
## PACKAGE STEPS

---

7.



8.



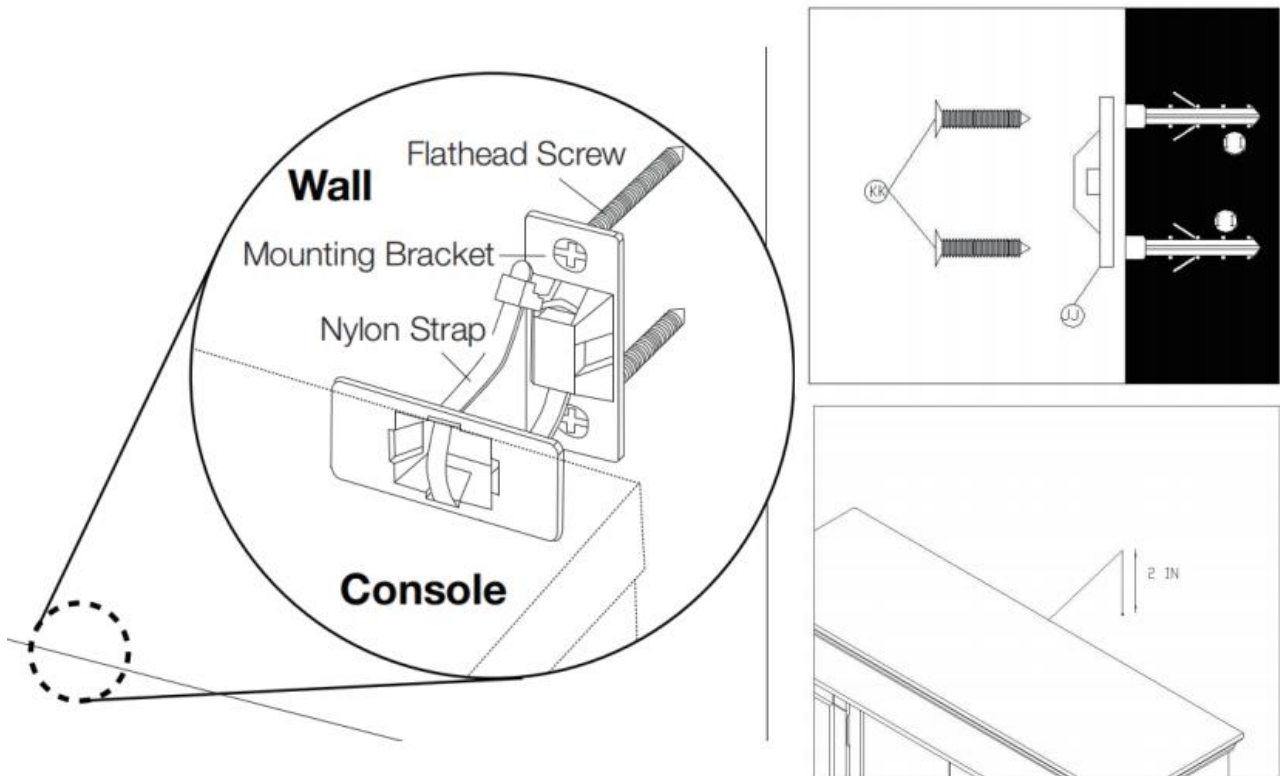
## PACKAGE STEPS

---

### IMPORTANT-Safety Chain Installation

#### WARNING:

This mantel is heavy furniture. Please be sure to correctly attach the safety chain to both the mantel and an adjacent wall. Failure to do so can cause serious injury or death.



#### INSTALLATION:

- Assemble the mantel and place it in position
- Attach one end of the chain to a wall stud using the screw included
- Attach the other screw - through a link in the chain - to the center of the mantel's top board (you may need to drill a small starter hole). Put the screw through the chain link that allows the least amount of slack in the chain.
- Carefully test that the installed chain adequately prevents tipping or tilting of the mantel.

NOTE: The chain must be as short as possible to prevent the mantel tipping forward. Do not allow slack in the chain.