

MANTEL

MODEL

X3437-1CHR

X3437-1MAH

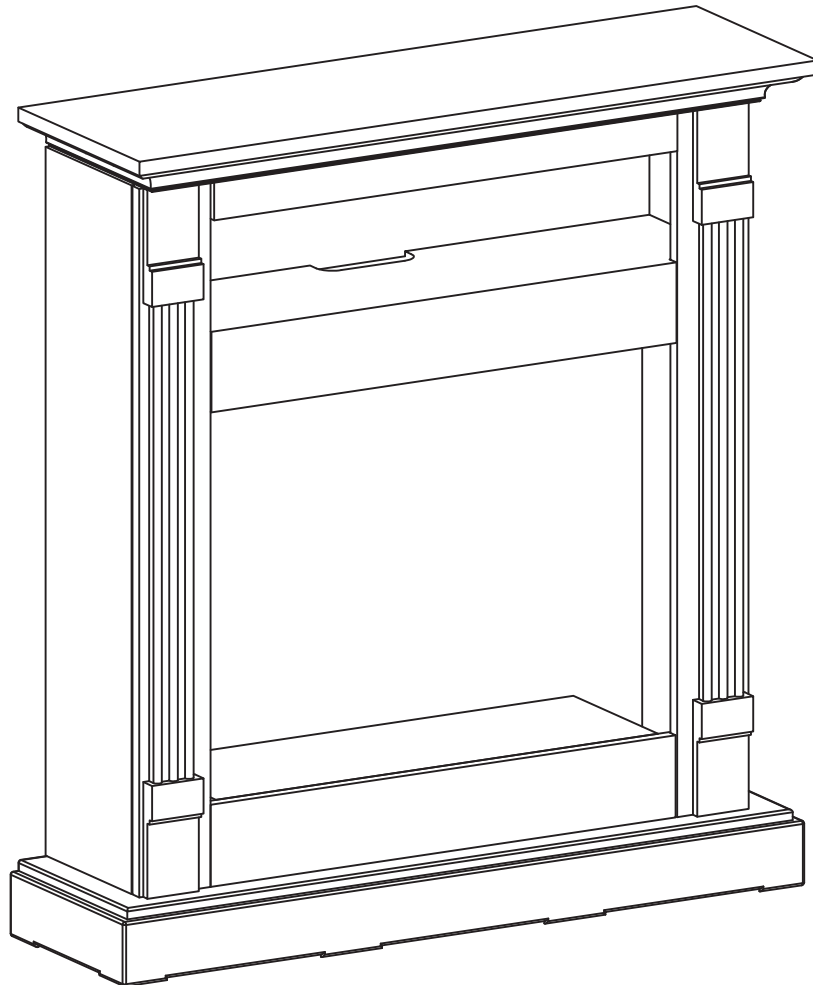
X3437-1TEK

X3437-1WHT

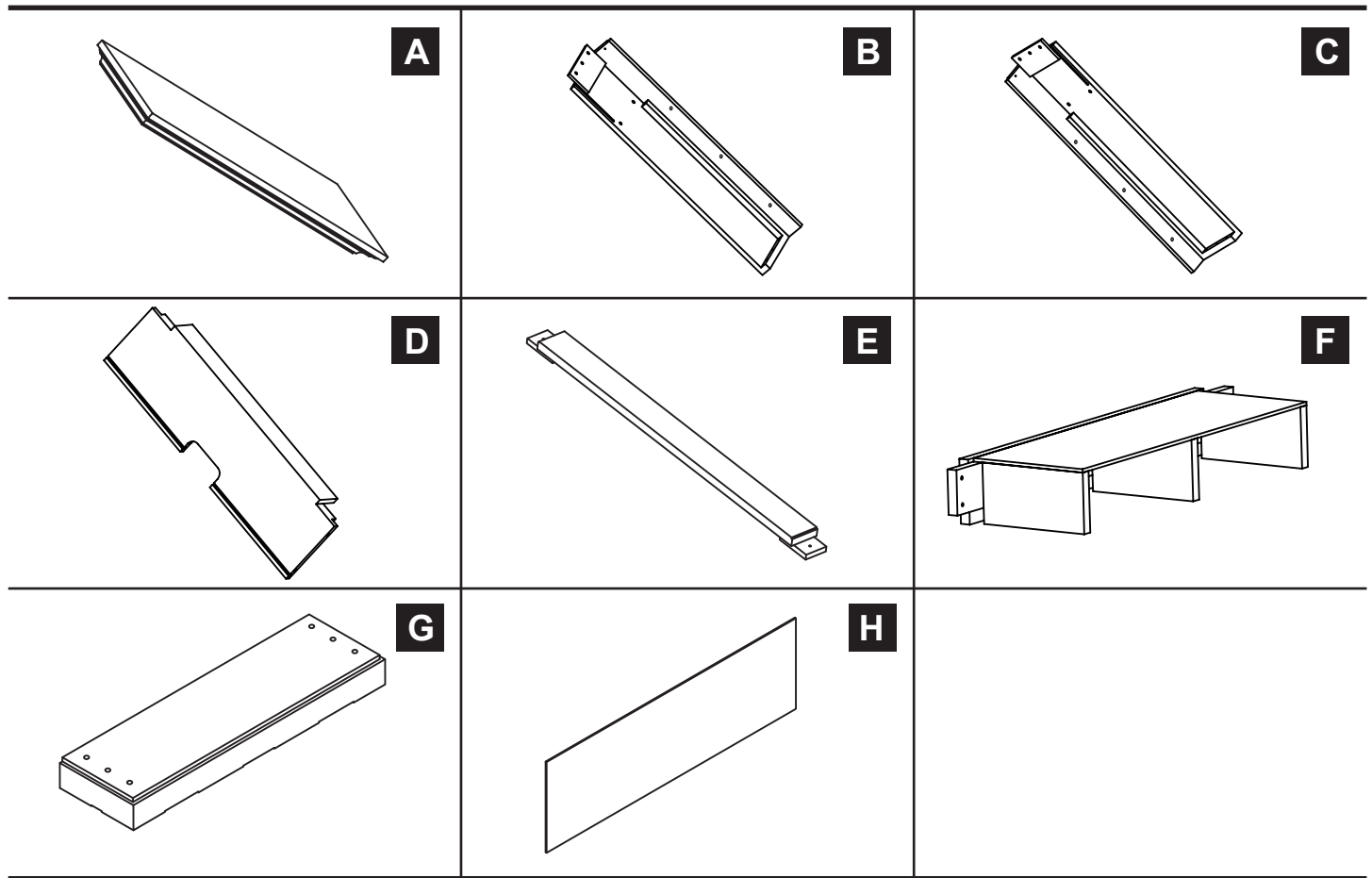
X3437-1BLK

X3437-1WAL

X3437-1GRY



PACKAGE CONTENTS



HARDWARE CONTENTS



Bolt
Qty. 4



Metal
Connector
Qty. 4



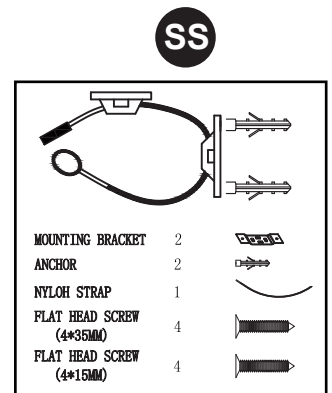
Screw
M4x30
Qty. 4



Screw
M4x15
Qty. 2



Screw
M4x35
Qty. 12



Safety Chain
Qty. 1

PACKAGE CONTENTS

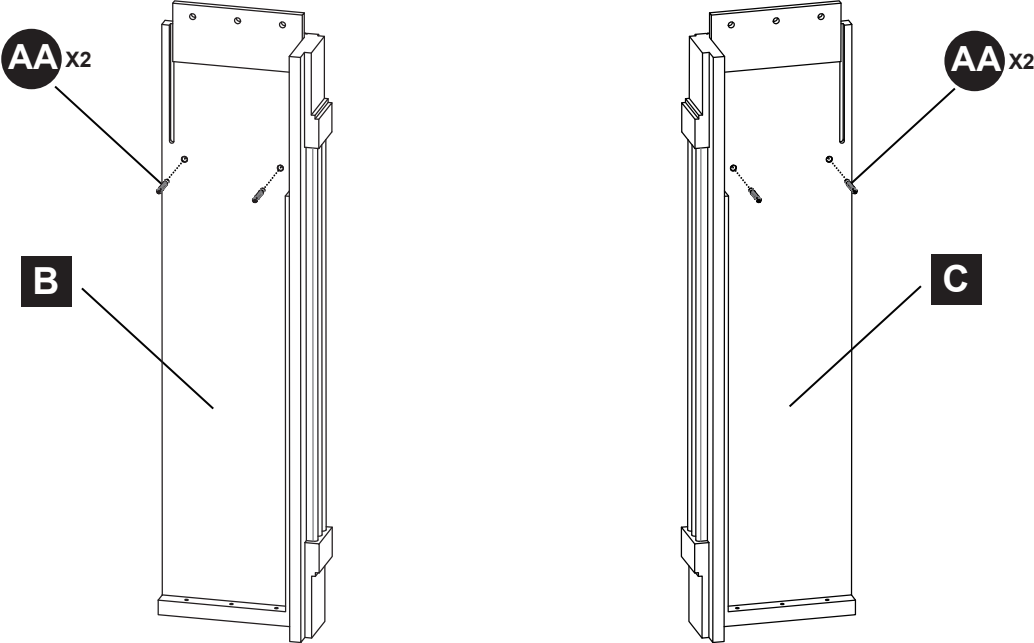
PART	DESCRIPTION	QTY.	PART NO.
A	Top Panel	1	
B	Left Side Panel	1	
C	Right Side Panel	1	
D	Middle Panel	1	
E	Top Shelf	1	
F	Lower Back Panel	1	
G	Base	1	
H	Upper Back Panel	1	
AA	Bolt	4	
BB	Metal Connector	4	
CC	M4x30 screw	4	
DD	M4x15 screw	2	
EE	M4x35 screw	12	
SS	Safety Chain	1	

Some parts and specifications may change without notice.

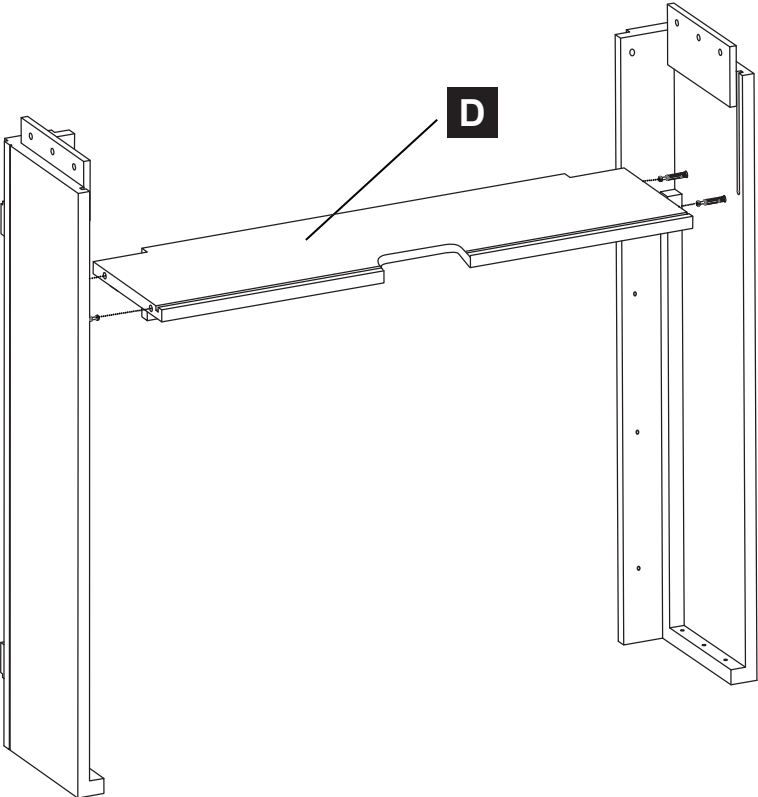
Carefully remove all pieces from the carton and make sure that you have all parts listed (refer to parts list on page 2-3).

PACKAGE STEPS

1.

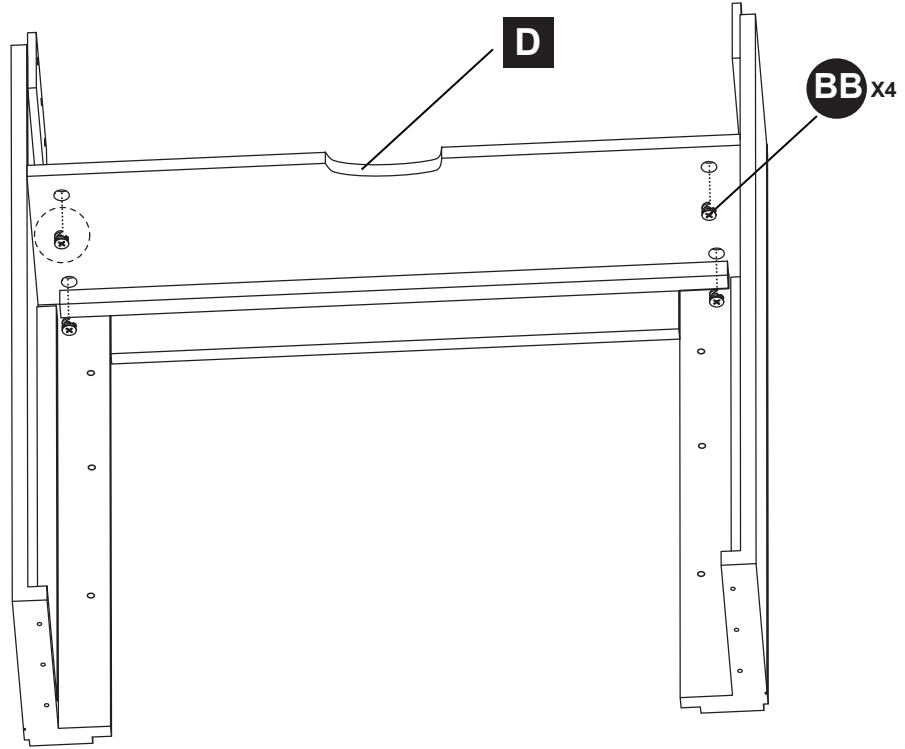
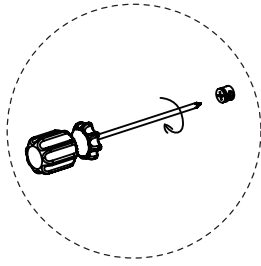


2.

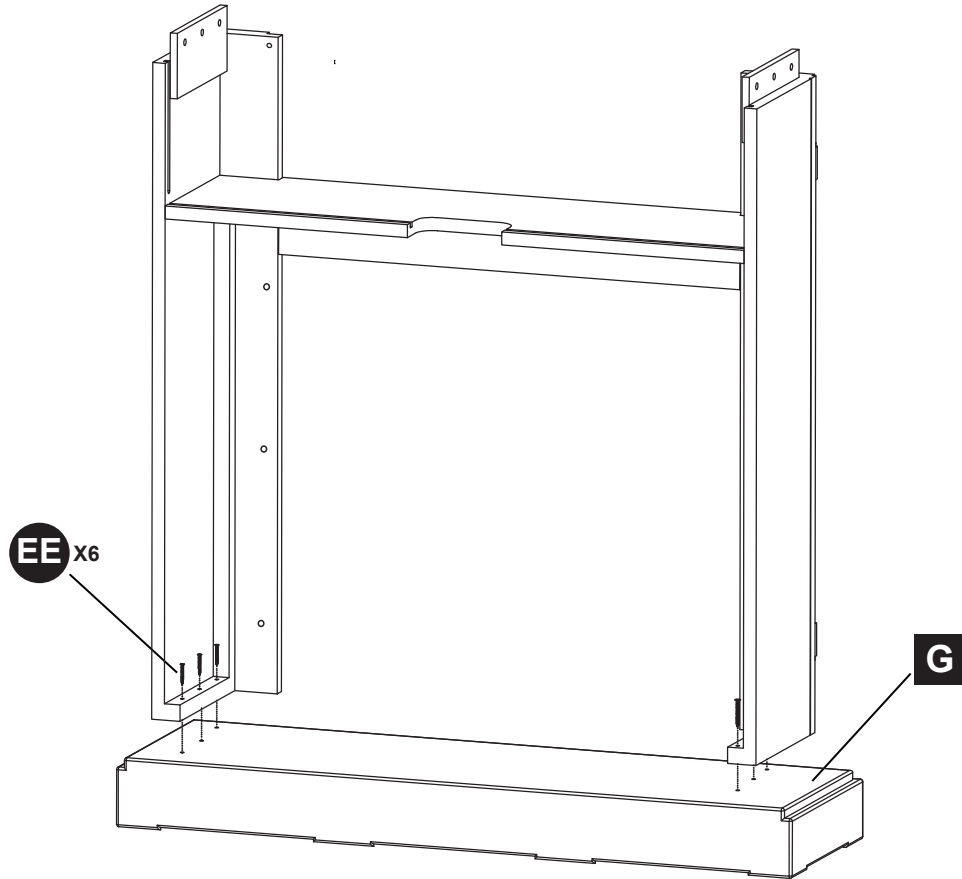


PACKAGE STEPS

3.

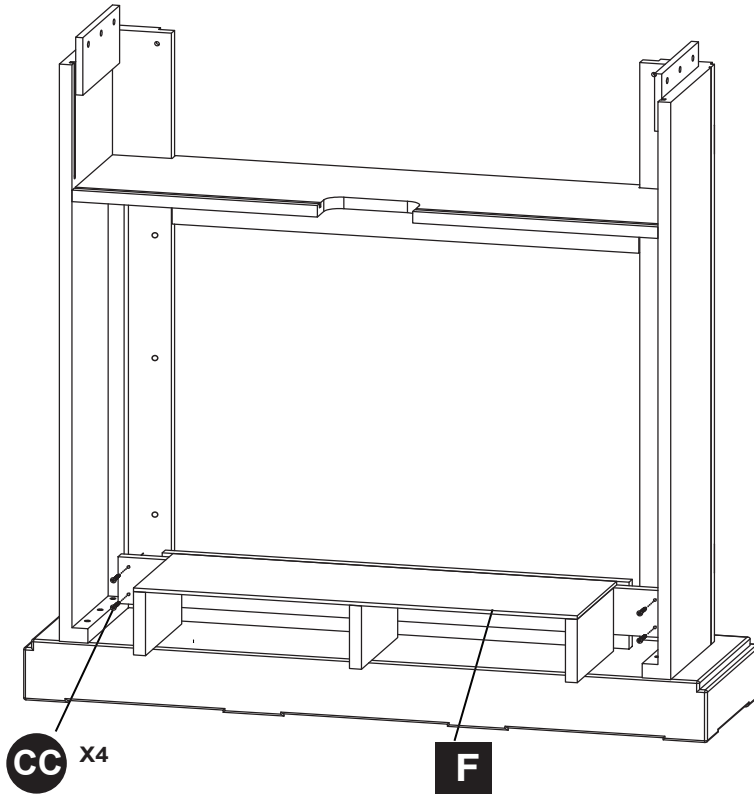


4.

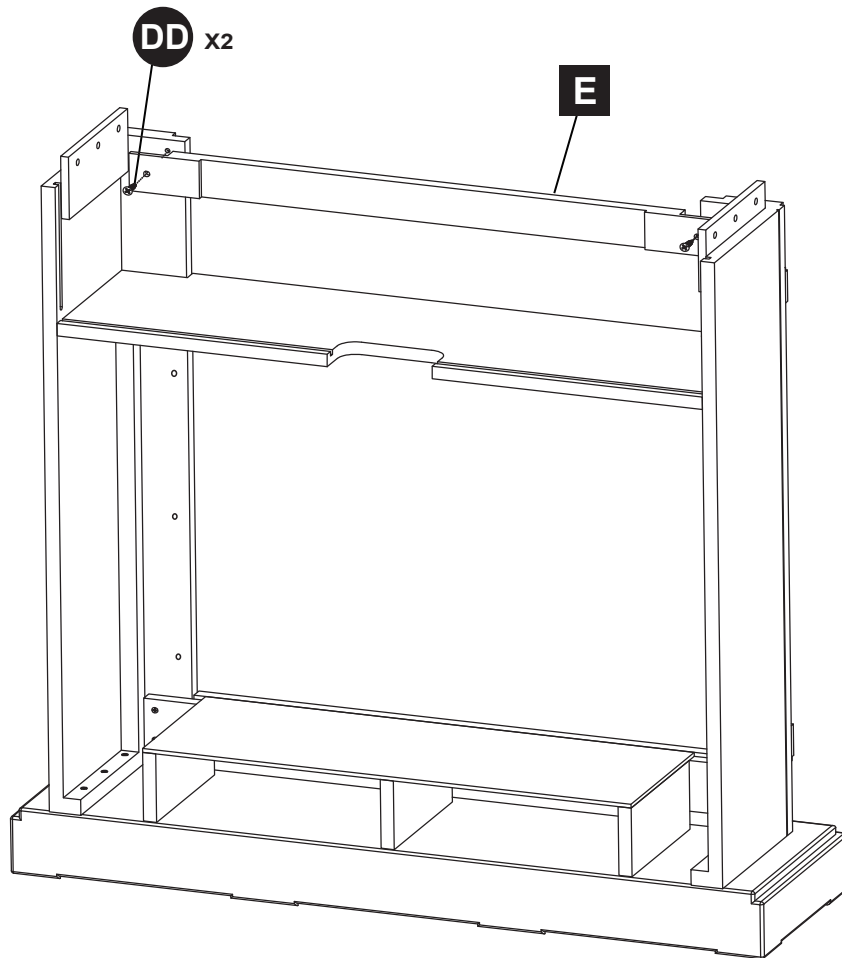


PACKAGE STEPS

5.

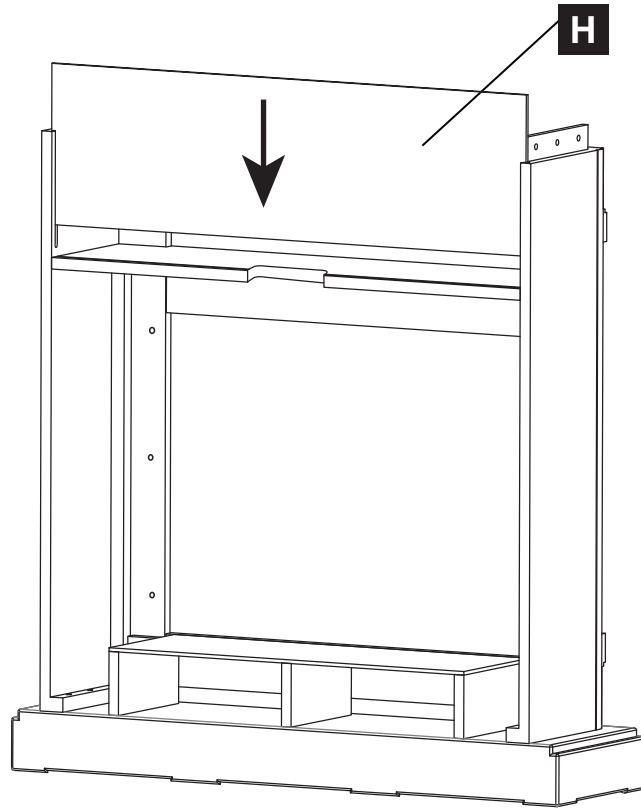


6.

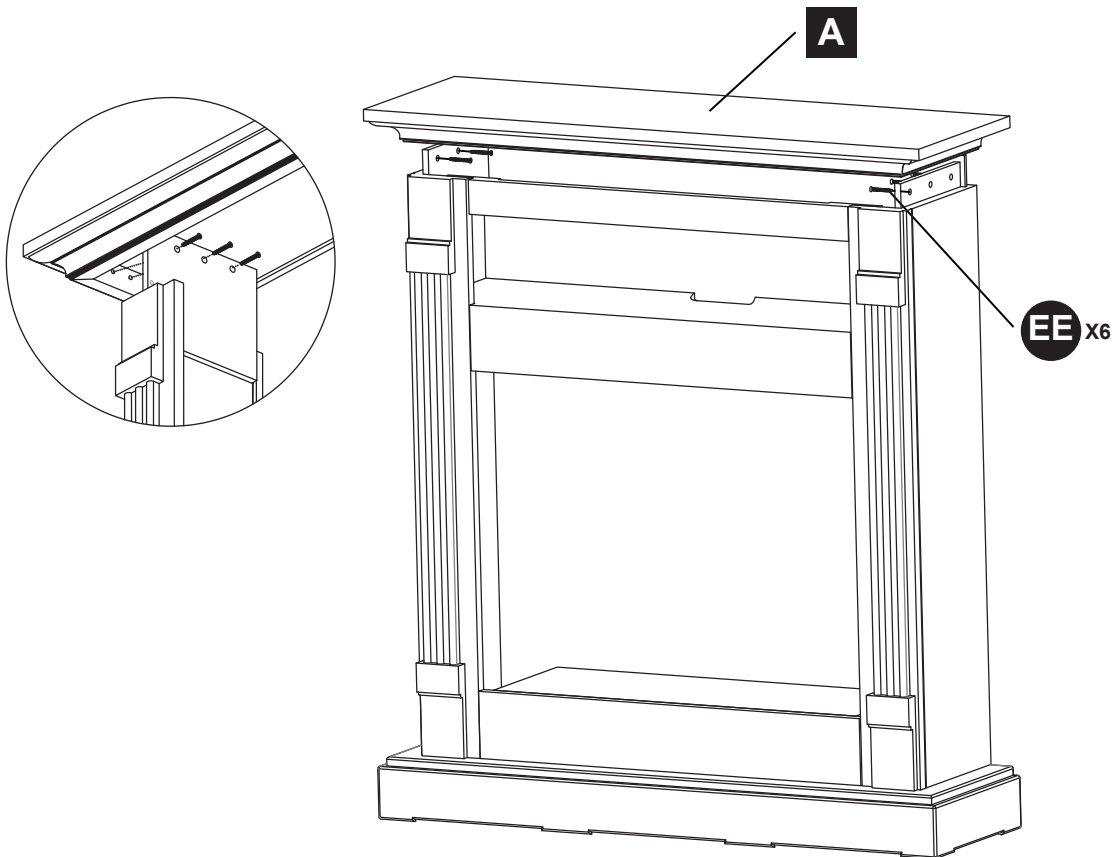


PACKAGE STEPS

7.



8.

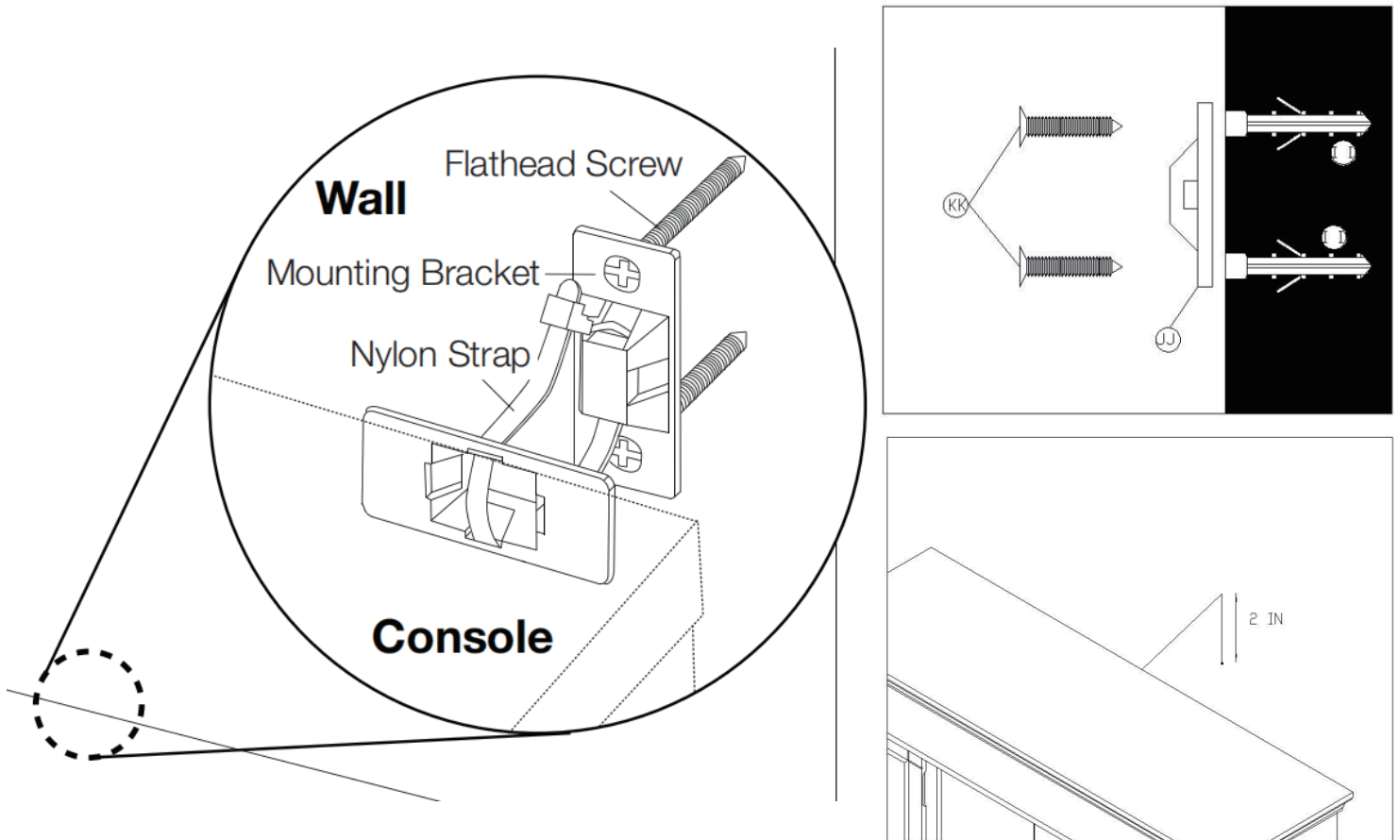


PACKAGE STEPS

IMPORTANT - Safety Chain Installation

WARNING:

This mantel is heavy furniture. Please be sure to correctly attach the safety chain to both the mantel and an adjacent wall. Failure to do so can cause serious injury or death.



INSTALLATION:

- Assemble the mantel and place it in position
- Attach one end of the chain to a wall stud using the screw included
- Attach the other screw – through a link in the chain – to the center of the mantel's top board (you may need to drill a small starter hole). Put the screw through the chain link that allows the least amount of slack in the chain.
- Carefully test that the installed chain adequately prevents tipping or tilting of the mantel.

NOTE: The chain must be as short as possible to prevent the mantel tipping forward. Do not allow slack in the chain.