

# HANOVER®

## Hanover Outdoor Furniture



### **IMPORTANT**

If you have any problems with this product (missing or damaged parts, assembly issues, etc.),

**PLEASE DO NOT RETURN TO THE RETAILER/STORE**

from where you purchased the product.

Please call our Toll-Free Customer Service Hotline at: **1-877-976-4402**

Between 9:00 AM and 5:00 PM Eastern Time, Monday through Friday

Or visit our website at: **[www.hanover-products.com](http://www.hanover-products.com)**

To expedite any future warranty claims, please retain the Instruction Sheet, Warranty Card and receipt for future use.

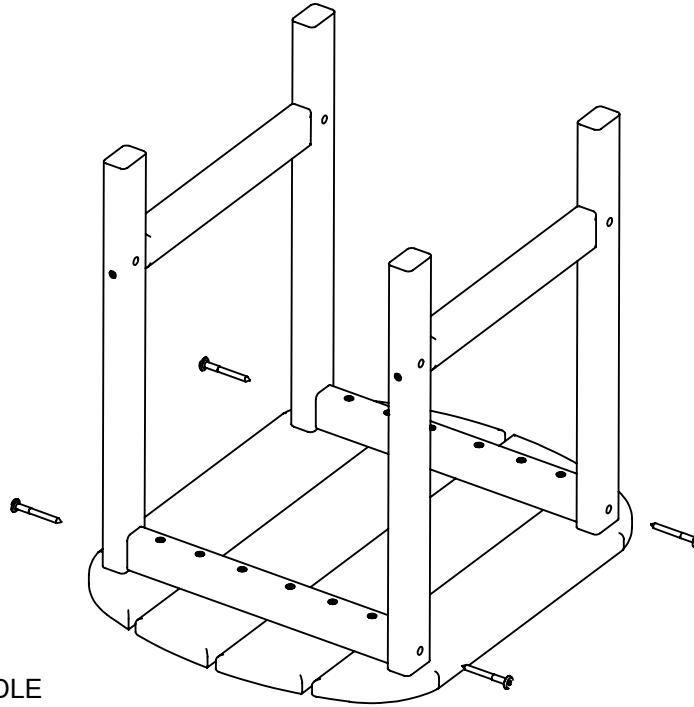
For additional on-line support on assembly, troubleshooting and care & maintenance of your outdoor furniture, please visit our website at: **[www.hanover-products.com](http://www.hanover-products.com)**.

# HANOVER<sup>®</sup>

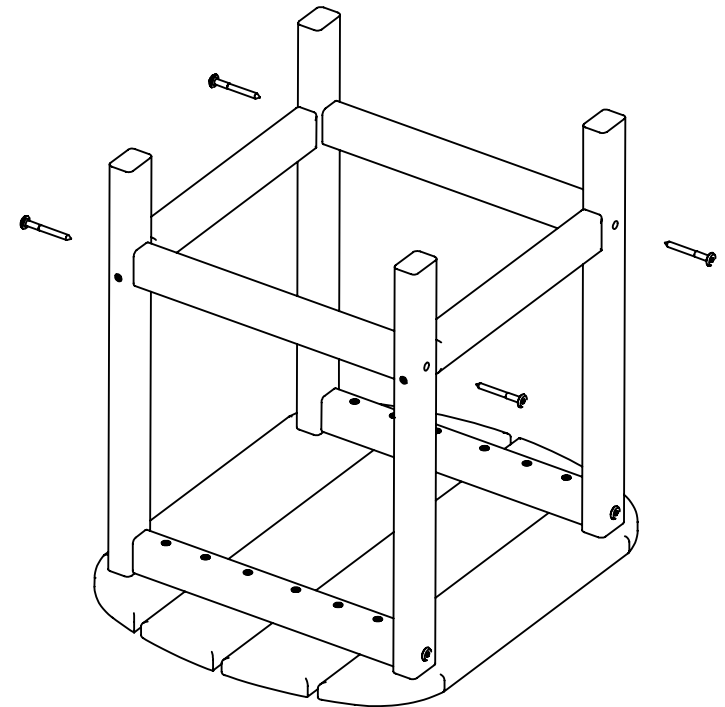
MODEL: HVSBT18

- (1) Table top
- (2) Sideframes
- (2) Braces
- (1) Hardware pack

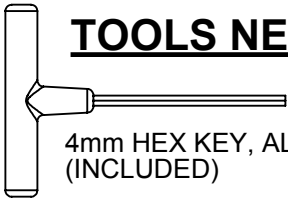
**Step 1**  
Attach sideframes to table top  
using (4) 2" screws



**Step 2**  
Attach braces to sideframes  
using (4) 2" screws



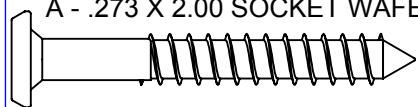
## TOOLS NEEDED



4mm HEX KEY, ALLEN, T-HANDLE  
(INCLUDED)

Qty.	Description
------	-------------

8	A - .273 X 2.00 SOCKET WAFER A
---	--------------------------------

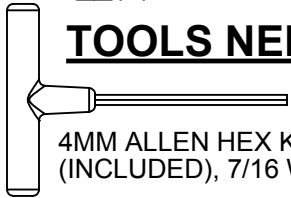


# HANOVER®

MODEL: HVLNR10

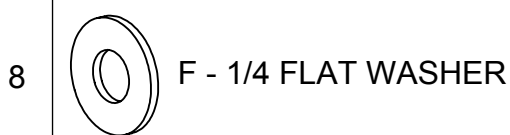
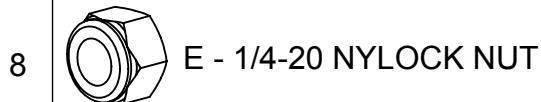
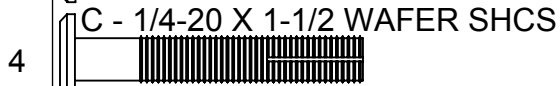
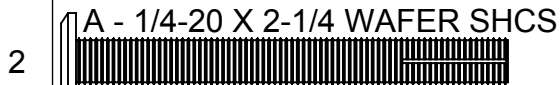
- \_\_\_ (1) HARDWARE PACK
- \_\_\_ (2) ROCKERS (RH, LH)
- \_\_\_ (2) FRONT LEGS (RH, LH)
- \_\_\_ (1) SEAT ASSEMBLY
- \_\_\_ (1) BACK ASSEMBLY
- \_\_\_ (2) ARM ASSEMBLIES (RH, LH)
- \_\_\_ (1) CROSS BRACE

## TOOLS NEEDED



4MM ALLEN HEX KEY, T-HANDLE  
(INCLUDED), 7/16 WRENCH (NOT INCLUDED)

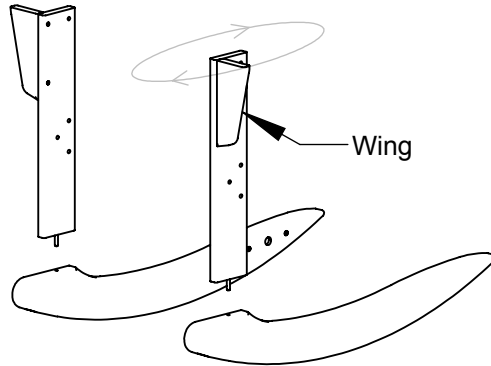
QTY	DESCRIPTION
2	A - 1/4-20 X 2-1/4 WAFER SHCS
6	B - 1/4-20 X 1-7/8 WAFER SHCS
4	C - 1/4-20 X 1-1/2 WAFER SHCS
6	D - .273 X 2.00 SOCKET WAFER A
8	E - 1/4-20 NYLOCK NUT
8	F - 1/4 FLAT WASHER



### STEP 1

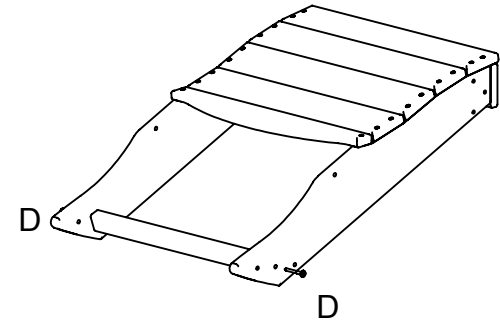
Attach Front Leg to Rocker by screwing threaded stud into pilot holes

Note the position of the "Wing"



### STEP 2

Using (2) 2" Screws fasten Cross Brace into Seat



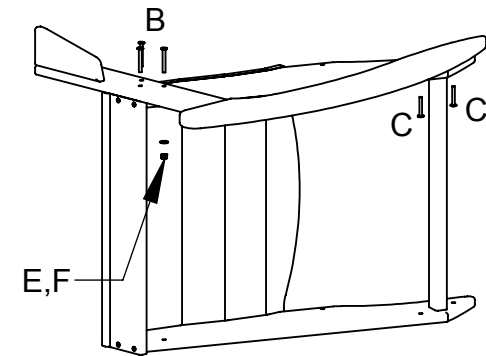
### STEP 3

Lay Seat on its side

Using (3) 1-7/8" Bolts, Nuts and Washers attach the Front Leg to the Seat

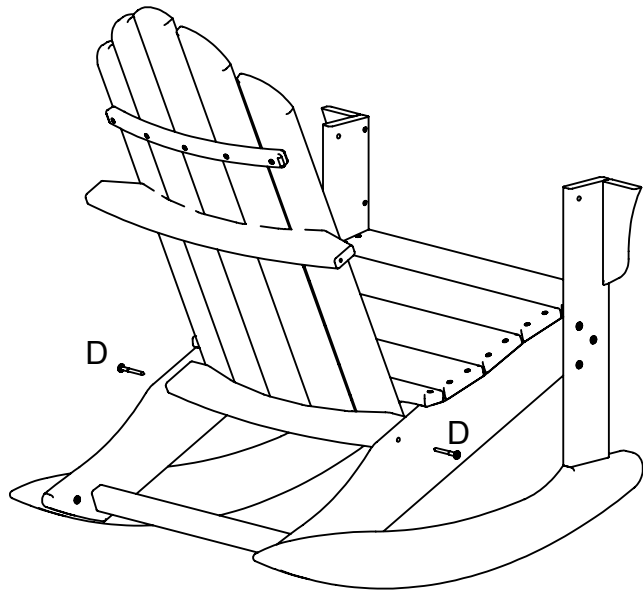
Using (2) 1-1/2" Bolts attach Rocker

Repeat on opposite Side



**STEP 4**

Using (2) 2" Screws attach Back to Seat



**STEP 6**

Using (2) 2-1/4" Bolts, Nuts, and Washers attach Arms to Legs and (2) 2" Screws attach Arms to Back

