

### Galanz 30" Over-the-Range-Microwave UnBranded



Stainless Steel  
GLOMJA17S3B-10

20-8%

ØDFN

20-

:KLWH

&

#### Features:

##### • Present Programs:

Pizza, Potato, Reheat, Popcorn, Beverage, Veggies, Cheese, Meat, Butter, 1LB Defrost, Time Defrost, Weight Defrost, Kids Meals

- Eco Mode
- Child lock
- 10 Power Levels
- Removable Filter
- Recirculation or Full Venting Options
- 2 Speed Vent with 300 CFM
- Removable Turntable
- Timer
- Child lock
- Cooktop Lighting
- BLUE LED display

#### Dimensions(WxDxH)

Cavity: 21 5/16" × 14 5/8" x 10 3/16"  
Product: 29 7/8" × 17 5/16" × 16 7/8"  
Shipping: 33 7/16" × 19 1/2" × 21 1/4"

#### Weight

Product: 59.4lb  
Shipping: 66.0 lb

#### Warranty

One(1) Year Warranty

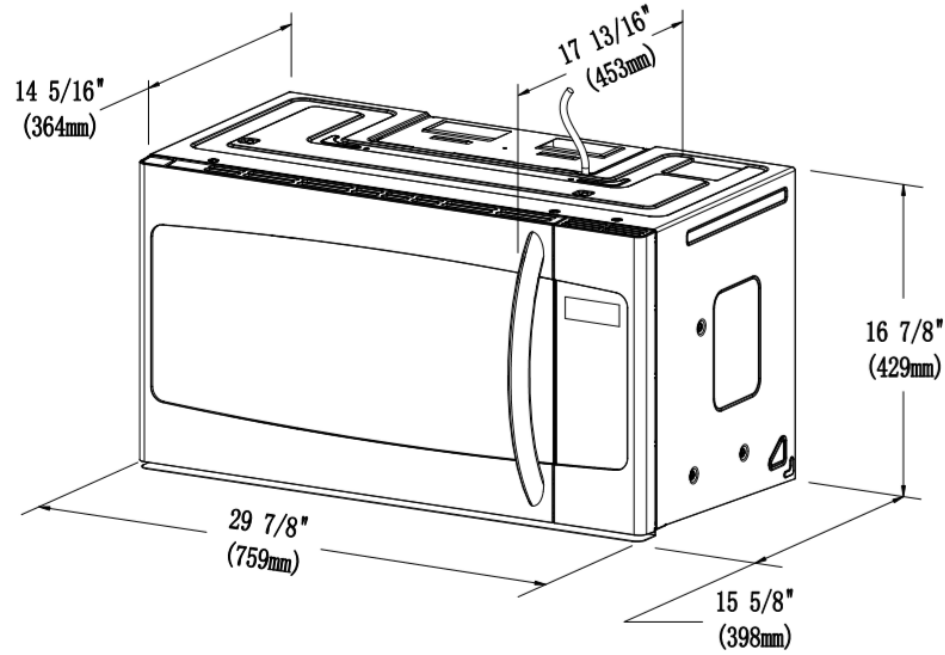
**Generous 1.7 cu. ft. capacity** There's plenty of space for all your favorite microwave foods, from vegetables and casseroles to baked pasta dishes and frozen meals.

**2 Speed Fan Control with 300CFM** 300 CFM Exhaust Fan to Quickly Eliminate Cooking Odors

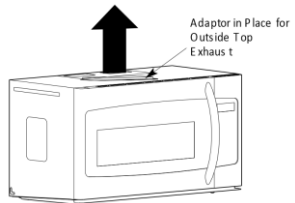
**Convertible Venting** Select recirculating or exterior venting options based on your installation needs.

#### Auto Cook and Auto Reheat

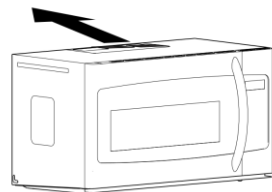
Specially developed cooking programs ensures that your food is perfectly cooked and reheated.



**OUTSIDE TOP EXHAUST (Vertical Duct)**



**OUTSIDE BACK EXHAUST (Horizontal Duct)**



**RECIRCULATING (Non-vented Ductless)**

