

Galanz

Model# GLF50CWED11
GLF70CWED11
GLF10CWED11
GLF14CWED11

CHEST FREEZER OWNER'S MANUAL



Thank you for purchasing a Galanz product please read this manual carefully for correct usage and safety, and keep for future reference. For service, support and warranty information, call 800-562-0738.

@2021 Galanz Americas Limited Company

CONTENT

IMPORTANT SAFETY INFORMATION.....	2
PARTS AND FEETURES.....	3
INSTALLING YOUR FREEZER.....	5
FREEZER FEATURES AND USE.....	8
FOOD STORAGE INFORMATION.....	9
PROPER FREEZER CARE AND CLEANING.....	10
TROUBLESHOOTING.....	11
PACKING LIST.....	12
TECHNICAL PARAMETERS	13
LIMITED WARRANTY.....	14
WARRANTY REGISTRATION.....	15

IMPORTANT SAFETY INFORMATION

SAFETY REQUIREMENTS

DANGER: Risk of fire or explosion. Flammable refrigerant used. Do not puncture refrigerant tubing.

- Do not use mechanical devices to defrost refrigerator.
- Ensure that servicing is done by factory authorized service personnel, to minimize product damage or safety issues.
- Consult repair manual or owner's guide before attempting to service this product. All safety precautions must be followed.
- Dispose of properly in accordance with federal or local regulations.
- Follow handling instructions carefully.

WARNING: Keep ventilation openings, in the appliance enclosure or in the built-in structure, clear of obstruction.

WARNING: Do not use mechanical devices or other means to accelerate the defrosting process, other than those recommended by the manufacturer.

WARNING: Do not damage the refrigerant circuit.

WARNING: Do not use electrical appliances inside the food storage compartments of the appliance, unless they are of the type recommended by the manufacturer.

CAUTION: Children should be supervised to ensure that they do not play with the appliance.

DANGER: Risk of child entrapment. Before throwing away an old appliance:

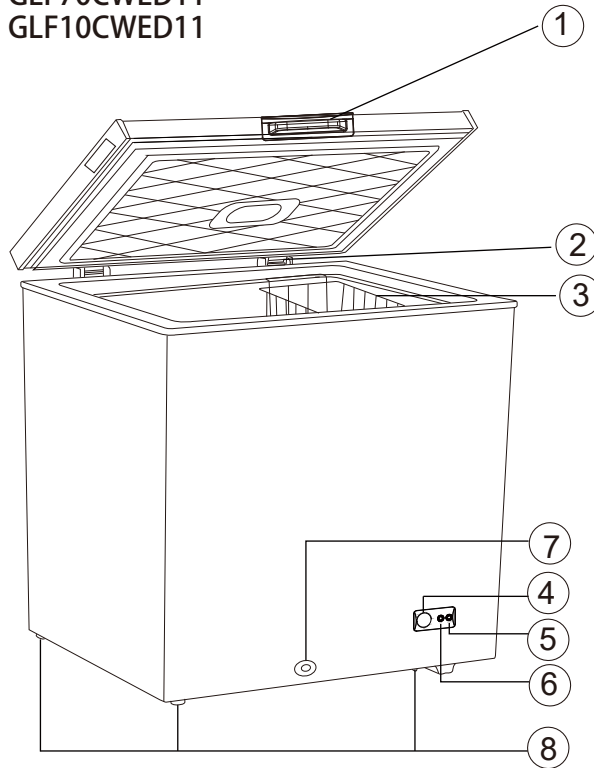
- Remove the door or lid.
- Leave shelves in place so that children may not easily climb inside.

This appliance is intended to be used in household and similar applications such as:

- Staff kitchen areas in shops, offices and other working environments;
- farm houses and by clients in hotels, motels and other residential type environments;
- Bed and breakfast type environments;
- Catering and similar non-retail applications.

PARTS AND FEATURURES

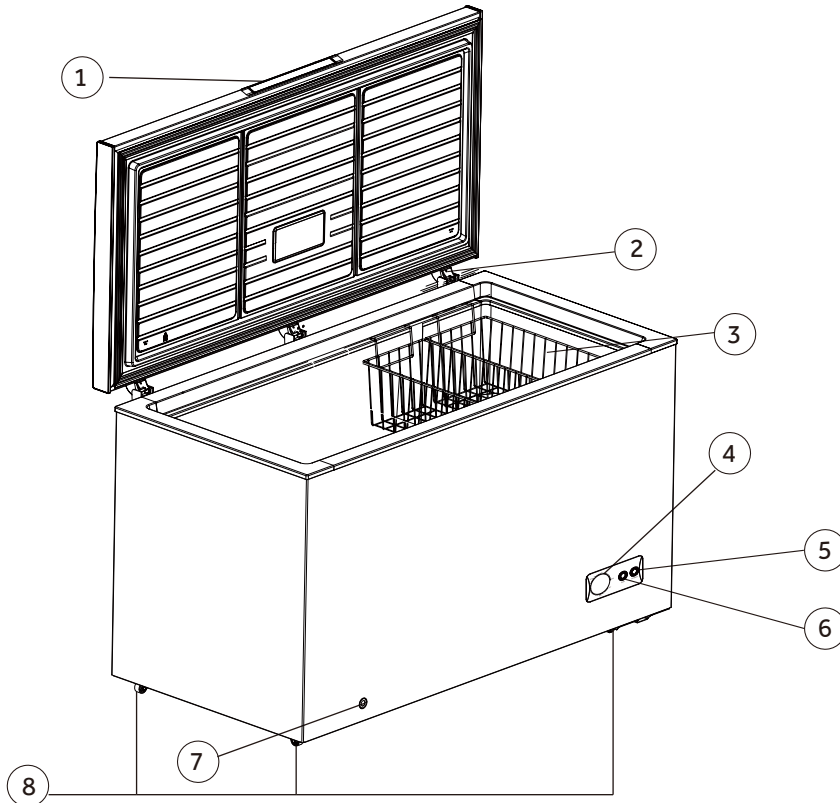
Model: GLF50CWED11
GLF70CWED11
GLF10CWED11



1. Lid
2. Lidhinge
3. Basket(GLF10CWED11 two baskets)
4. Temperature Control OFF,
Temperature Settings
5. Power Indicator
6. Run Indicator
7. Exterior DrainPlug
8. Casters

PARTS AND FEATURERS

Model: GLF14CWED11



1. Lid
2. Lidhinge
3. Basket
4. Temperature Control OFF,
Temperature Settings
5. Power Indicator
6. Run Indicator
7. Exterior DrainPlug
8. Casters

INSTALLING YOUR FREEZER

Unpacking Your Freezer

1. Place the freezer on a floor strong enough to support it fully loaded.
2. Remove all packaging material. This includes the foam base and all adhesive tape holding the freezer accessories inside and outside.
3. Inspect and remove any remains of packing, tape or printed materials before powering on the freezer.

Installing Your Freezer

1. Install on a level surface.
2. Allow 4 hours after installation before connecting to power source.
3. Allow unit to operate for 6-8 hours before placing food inside.
4. Clean interior with lukewarm water and mild detergent using sponge or soft cloth. Be sure interior is dry before using.

Proper Air Circulation

To insure your freezer works at the maximum efficiency it was designed for, install in a location where there is proper air circulation, plumbing and electrical connections.

The following are recommended clearances around the freezer:

Sides	4" (102mm)
Back	4" (102mm)
Top	Do not block

Adjusting Your Freezer

1. Your freezer is designed for freestanding installation only. It should not be recessed or built-in.
2. When moving the freezer, never tilt it more than a 45-degree angle. This could damage the compressor and the sealed system.
3. If the freezer is tilted let it stand in an upright position for at least 24 hours prior to plugging in. This is to allow the refrigerant to settle.

INSTALLING YOUR FREEZER



WARNING: ELECTRICAL REQUIREMENT - SHOCK HAZARD

Electrical Requirement

1. Make sure there is a suitable power Outlet (115 volts,) with proper grounding to power the freezer.
2. Avoid the use of three plug adapters or cutting off the third grounding in order to accomodate a two plug outlet to. **DO NOT** use 3 prong adapters or cut off the grounding prong. Use a surge protector if possible.



Use of Extension Cord

1. Avoid the use of an extension cord because of potential safety hazards under certain conditions. If it is necessary to use an extension cord, use only a 3-wire extension cord that has a 3-blade grounding plug and a 3slot outlet that will accept the plug. The marked rating of the extension cord must be equal to or greater than the electrical rating of the appliance.
2. **DO NOT USE EXTENSION CORD LONGER THAN 12 FT.**

Install Limitations

1. Do not install your freezer in any location not properly insulated or heated. Your freezer was not designed to operate in temperature enviroments below 45 Fahrenheit or above 100 Fahrenheit.
2. Select a suitable location for the freezer on a hard even surface away from direct sunlight or heat source e.g. radiators, baseboard heaters, cooking appliances etc. Any floor unevenness should be corrected.

INSTALLING YOUR FREEZER

Defrosting and Draining

For most efficient operation and minimum energy consumption, defrost whenever the frost becomes 1/4" thick. Never use a sharp or metallic instrument to remove the frost, as it may damage the cooling coils. (A punctured coil will void the warranty). Do not use boiling water as it may damage the unit. It is advisable to let ice and frost melt naturally.

Remove frozen food from the freezer and place it in a cooler to protect the food.

Unplug the unit. Defrosting usually takes a few hours. To defrost faster keep the freezer lid open.

For draining, place a tray beneath the outer drain plug. Unscrew and remove drain plug. This will let the water flow out in the tray. When done, screw on the drain plug in place. Note: monitor the container under the drain to avoid overflow.

When draining is complete, wipe the interior of the freezer with a soft cloth. Plug in power cord back into the electrical outlet.

Reset the temperature control to the desired setting.

Allow freezer to run for 6-8 hours before returning the food to the freezer

FREEZER FEATURES AND USE

Operating Your Freezer

Once the freezer is in its proper place, plug it in an electrical outlet having 115 volts.

Set the temperature, on the thermostat control knob.

"MIN" is cold and "MAX" is coldest. Initially set the temperature on "4". Allow freezer to operate for 6-8 hours before putting food inside the freezer. Place food inside the freezer. After using the freezer for 24 hours set the freezer to your desired setting.

In case you unplug your freezer or experience an electrical outage, allow 5 minutes before plugging it back in.

General Features

Adjustable temperature dial: (see fig. # 1)

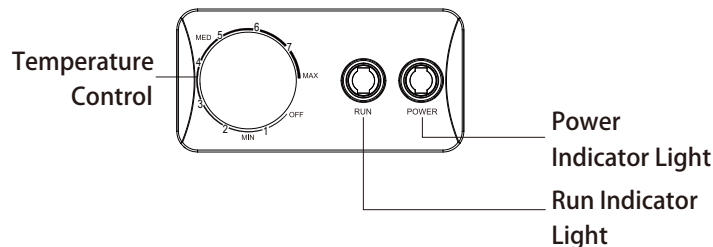
Your freezer will automatically maintain the temperature level you select. The temperature control dial has 7 settings plus OFF and MAX. "MIN" is cold "MAX" is coldest. Set the dial to "4" and allow 24 hours to pass before adjusting the temperature to your needs.

For faster freezing capability:

The first time you turn the unit on, turn the temperature control dial to "MAX" and run for at least 2 hours, then turn dial to "4".

(Note: If the freezer has been placed in a horizontal or tilted position for any period of time wait 24 hours before plugging the unit in.)

fig. # 1



Normal Operating Sounds You May Hear

Boiling water, gurgling sounds or slight vibrations that are the result of the refrigerant circulating through the cooling coils. The thermostat control will click when it cycles on and off.

FOOD STORAGE INFORMATION

Food Storage Information

Frozen Food:

- Wipe containers before storing to avoid needless spills.
- Hot food should be allowed to cool before storing in the freezer. This will prevent unnecessary energy use.
- When storing meats, keep in the original packaging or rewrap as necessary.
- Proper freezer storage requires correct packaging. All foods must be in packages, which do not allow the flow of air or moisture in, or out. Improper storage will result in odor and taste transfer and will result in the drying out of the improperly packaged food.
- Follow package or container instructions for proper storage.
- Packaging Recommendations:
 - Plastic containers with air tight lids
 - Heavy duty aluminum foil
 - Plastic wrap made from saran film
 - Self-sealing plastic bags
- Do not refreeze defrosted/thawed foods.
- It is recommended that the freezing date be marked on the packaging.

PROPER FREEZER CARE AND CLEANING

Proper Freezer Care and Cleaning

Cleaning and Maintenance

WARNING:

To avoid electric shock always unplug your freezer before cleaning. Ignoring this warning may result in death or injury.

CAUTION:

Before using cleaning products, always read and follow manufacturer's instructions and warnings to avoid personal injury or product damage.

General:

- Prepare a cleaning solution of 3-4 tablespoons of baking soda mixed with warm water. Use sponge or soft cloth, dampened with the cleaning solution, to wipe down your freezer.
- Rinse with clean warm water and dry with a soft cloth.
- Do not use harsh chemicals, abrasives, ammonia, chlorine bleach, concentrated detergents, solvents or metal scouring pads SOME of these chemicals may dissolve, damage and/or discolor your freezer.

Door Gaskets:

- Clean door gaskets every three months according to general instructions. Gaskets must be kept clean and pliable to assure a proper seal.
- Petroleum jelly applied lightly on the hinge side of gaskets will keep the gasket pliable and assure a good seal.

Power Interruptions

- Occasionally there may be power interruptions due to thunderstorms or other causes. Remove the power cord from AC outlet when a power outage occurs. When power has been restored, replug power cord to AC outlet. If outage is for a prolonged period, inspect and discard spoiled orthawed food in freezer. Clean freezer before reusing.
- Add Avoid opening the lid of the freezer during a power outage. This will help insure you food remains frozen as long as possible.

WARNING:

IF OUTAGE IS FOR A PROLONGED PERIOD INSPECT AND DISCARD SPOILED OR THAWEDOOD INFREEZER. CLEAN FREEZER BEFORE REUSING.

TROUBLESHOOTING

Freezer Does Not Operate:

- Check if freezer is plugged in.
- Check if there is power at the ac outlet, by checking the circuit breaker.
- Wait for 30-40 minutes to see whether freezer will start. Compressor cycle must be complete to operate.
- Check Temperature Control.

Food temperature appears too warm:

- Frequent lid openings.
- Check lid to be sure it is closed properly.
- Allow time for recently added warm food to reach freezer temperature.
- Check gaskets for proper seal.
- Adjust temperature control to colder setting.

Food temperature is too cold:

- If temperature control setting is too cold, adjust to a warmer setting and allow several hours for temperature to adjust.
- Ice build-up on interior walls.

Too much frost build-up inside unit:

- Make sure temperature control is not set to "MAX" setting for extended period of time.

Vibration:

- Make sure the unit is level.
- Check to be sure the unit is not touching the wall.
- Double check whether the unit has been properly installed.

Compressor runs too frequently:

- This may be normal to maintain constant temperature during high temperature and humid days.
- Doors may have been opened frequently or for an extended period of time.
- Check gasket for proper seal.
- Check to see if doors are completely closed.
- Check freezer compartment for blockage from frozen food packages, containers, etc.

Freezer has an odor:

- Interior needs cleaning.
- Foods improperly wrapped or sealed are giving off odors.

PACKING LIST

PACKING LIST

Parts	Number	Model	GLF50CWED11	GLF70CWED11	GLF10CWED11	GLF14CWED11
Accessories inside package	Basket		1	1	2	2
	User's manual		1	1	1	1
	Door handle		/	/	/	1
	Casters(Installed)		4	4	4	4

TECHNICAL PARAMETERS

TECHNICAL PARAMETERS

Model		GLF50CWED11	GLF70CWED11	GLF10CWED11	GLF14CWED11
Anti-electric shock protection type		I	I	I	I
Freezer compartment volume (CU.FT)		5.0	7.0	10.4	14
Rated voltage (V)		115	115	115	115
Rated frequency (Hz)		60	60	60	60
Rated current (A)		1.4	1.4	1.4	2.0
Rated Power (W)		120	120	120	210
Noise [dB (A)]		40	40	44	45
Refrigerant type/ Refrigerant charge		R600a/1.63oz	R600a/1.70oz	R600a/2.16oz	R600a/2.40oz
Net weight (lbs)		53	64	88.2	110.2
Dimension(inch)	Width	25	32.6	44.1	54.6
	Depth	22.2	22.2	25	28.2
	Height	33.8	33.8	33.8	33.5

LIMITED WARRANTY

Galanz Americas Limited Company -

Product Warranty

This warranty applies to products sold by Galanz Americas in the U.S. This warranty is in lieu of any other warranty and expressly applies to the individual product only.

Galanz product is warranted for one year following purchase for defects in material and workmanship. Please save your receipt as proof of purchase is required to make a warranty claim. During this period, we will provide the purchase price of this product, a replacement or the equivalent per our , discretion or service in select cases. In the event that service is determined to be agreeable to both parties, then the product must be brought to the nearest servicer by the consumer.

The warranty cannot be transferred through resale, including the resale through a 3rd party unauthorized retailer and is only bestowed upon the original consumer purchaser upon purchase from an authorized retailer.

This warranty does not cover and excludes damage or defects caused by:

- Consumer misuse
- Abuse
- Neglect including the failure to clean and/ or provide adequate regular maintenance as outlined in the user manual

- Commercial use
- Subjecting the product to any voltage outside the specified range
- Loss of parts
- The affixing of any attachments not provided with the product
- Accident, or
- Use in a manner not intended and outlined in the user manual.

Any subsequent damages caused by the above listed exclusions will not be covered and any claims determined to meet the above exclusions will be denied. All liability is limited to the purchase price and does not include any:

- Retail offered extended warranties
- Tax
- Other charges (including postage to send required materials)
- Incidental and/or consequential damages associated with the product in question.

Every implied warranty, including any statutory warranty of merchantability or fitness for a particular purpose is disclaimed except to the extent prohibited by law, in which case such warranty is limited to the duration of this written warranty. This warranty gives you specific legal rights. You may have other legal rights that vary depending on where you live. Some states do not allow limitations on implied warranties or special, incidental, or consequential damages, so the above limitations may not apply to you.

If you have a claim under this warranty, please call our Customer Service number: 1-800-562-0738.

For faster service, please have the model number, serial number, and receipt ready for the operator to assist you.

WARRANTY REGISTRATION

Please mail this warranty card to the address below within 30 days of purchase

Or you can register your product online by going to www.galanz.com\US

Galanz Americas, 55 Challenger Road, Suite 503, Ridgefield Park, NJ 07660.

PLEASE PRINT CLEARLY.

Name _____

Address _____

City _____ State _____ ZIP _____

Phone _____ Email _____

Model Number _____ Serial Number _____

Purchase Location _____

You must attach a copy of your purchase receipt to validate your registration.

Galanz