



BEFORE YOU BEGIN

STEP 1 - HANDLEBAR ASSEMBLY

Use a hex wrench to install the outside door handle,
 ※This step is only applicable to the W60C4A411B model.

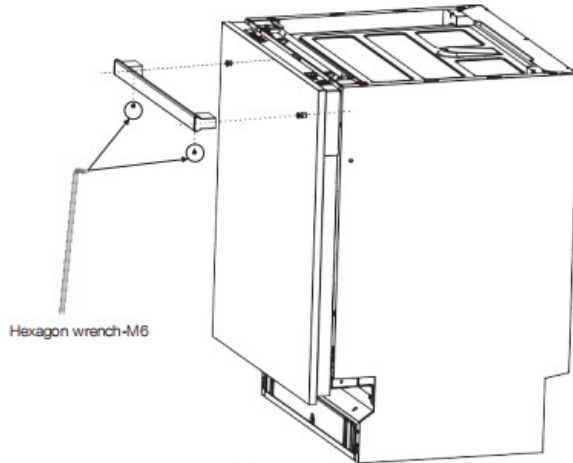


Figure G

STEP 2 - CHECK DOOR BALANCE

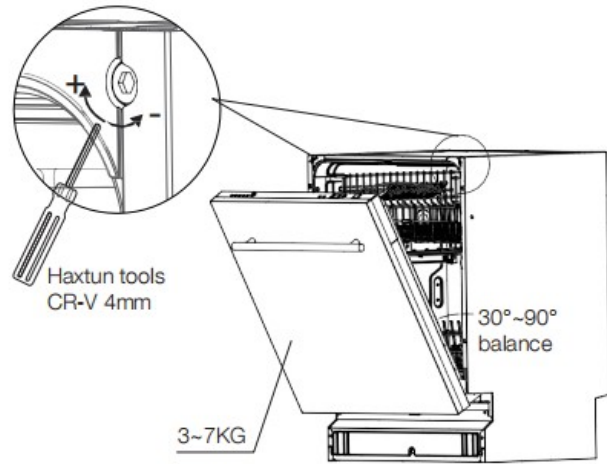


Figure H

- After placed the panel on the dishwasher, please try open and close the door to test the balance to check out whether the door can remain a same place. If not, please adjusting the screw in the direction of clockwise or counterclockwise to
 ※This step is only applicable to the W60C4A411B model.

STEP 3 - INSERT DRAIN HOSE AND POWER CORD THROUGH CABINET

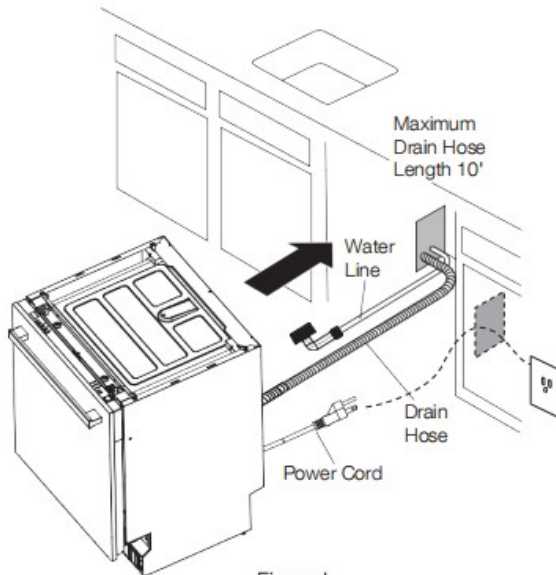


Figure I

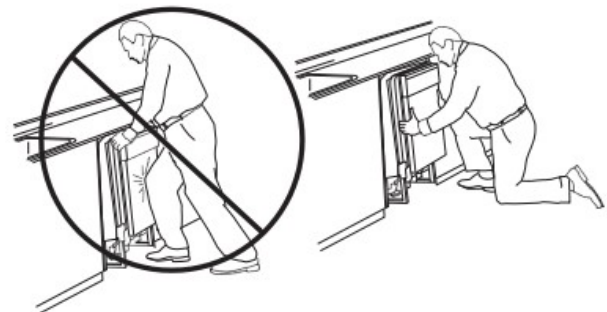
- Insert drain hose into cabinet wall hole.
- Insert the power cord into another cabinet wall hole.

TIP: Position water line and house wiring on the floor to avoid interference with base of dishwasher.

STEP 4 - SLIDE DISHWASHER PARTIALLY INTO CABINET

DO NOT PUSH AGAINST FRONT PANEL WITH KNEES. DAMAGE WILL OCCUR.

- Slide dishwasher into the opening a few inches at a time.



Do Not Push Against Front Door Panel with Knee. Damage to The Door Panel Will Occur.

- As you proceed, pull the drain hose through the opening under the sink. Stop pushing when the dishwasher is a few inches forward of adjacent cabinetry.
- Make sure drain hose is not kinked under the dishwasher and there is no interference with the water line and wiring or any other component.