

Dishwasher

CD. A13799846

Installation Instructions

INSTALLER: Leave *Installation Instructions* with owner.
OWNER: Read your dishwasher *Use and Care Manual*. It contains important safety information for operating this appliance. It also has many suggestions for getting the best results from your dishwasher.

Before You Begin

Read all instructions before installing dishwasher.

For your safety, please read and observe all safety instructions. This guide will help you anticipate drain, water, and electrical connections, and help you select the best location for the dishwasher.

The dishwasher is provided with water heating feature.

The dishwasher is intended for connection to hot water supply.

WARNING

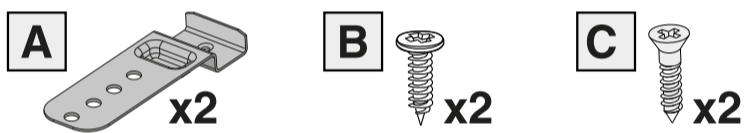
Tip Over Hazard
 Do not use dishwasher until completely installed.
 Do not push down on open door.
 Failure to follow this warning can result in serious injury.

WARNING

Cut Hazard
 To prevent serious injury from sharp edges, wear work gloves when handling, unpacking or disassembling unit.

Installation Tips

Parts Included:



Tools and Materials Needed for Installation (Not Included)

- Drill, Electric
- Driver, Socket 5/32", 1/4", 5/16"
- Flaring Tool / Tube Cutter (for copper tubing)
- Flashlight
- Level
- Pipe Joint Compound (for iron pipe plumbing) or Pipe Thread Tape (for sealing threads)
- Pliers
- Safety Glasses
- Saw, Keyhole or 1/2", 1 1/2" to 2" Hole Cutters
- Screw Drivers, Slotted and Ø2 Phillips (magnetic tip preferred)
- Work gloves
- Tape, Electrical or Duct
- Measuring Tape
- Wire Stripper or Utility Knife
- Wrench, Hex-end
- Wrenches, 2 Adjustable (for copper tubing) or 2 Pipe wrenches (for iron pipe plumbing)

Parts You Will Need* (Not Included)

- Drain Hose Clamp, 1 1/4" (3,1 cm) Diameter
- Brass Elbow, 90° with a 3/4" (Ø 2 cm) -11.5 NH to 3/8" (Ø 2 cm) NPT Compression fitting
- Conduit Connector (UL Listed)
- Wire Nuts, three (3) for 12-14 gauge wire (UL Listed)

- *If required:**
- "Y" Branch Tailpiece and Connector Kit (See Step 8)
 - Air Gap Kit (See Step 8)
- All the parts can be found at local hardware, electrical and plumbing supply stores.

WARNING

Electric Shock Hazard
 Disconnect electrical power at the fuse box or circuit breaker box before beginning installation. Failure to follow this warning could result in death or serious injury.

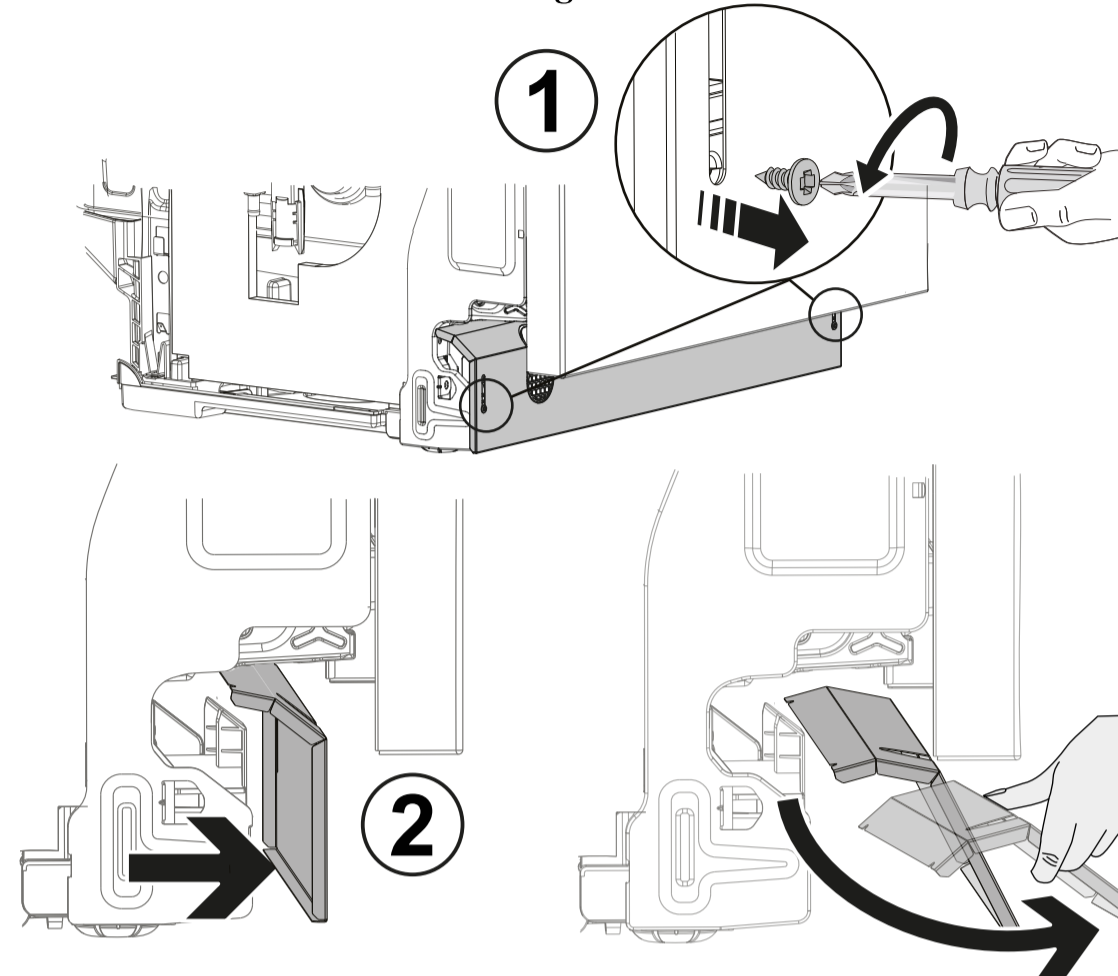
Installation Preparation 2

NOTE: Put unit on its back being careful not to pinch the Water Drain Hose.

1. Remove two (2) screws at the front the kickplate assembly
2. Tilt and pull forward the kickplate to remove it. - see Figure 1.

NOTE: It is not necessary to remove the outer door for installation.

Figure 1



3. Locate water inlet valve behind kickplate on bottom left underside of unit. See Figure 4. The valve has a 3/4" (2 cm) GHT Garden Hose Thread with 12 TPI.
4. Connect the 90° elbow (not included) to water inlet valve. When tightened, point elbow should point toward the left. To prevent bending of bracket or breaking of valve, avoid overtightening. See Figure 4.

Cabinet Preparation:

As a precaution, it is recommended, but not required that the cabinets enclosing all sides of the dishwasher (including the underside of the countertop) be sealed with an oil based paint or moisture-proof polyurethane to prevent possible steam/moisture damage.

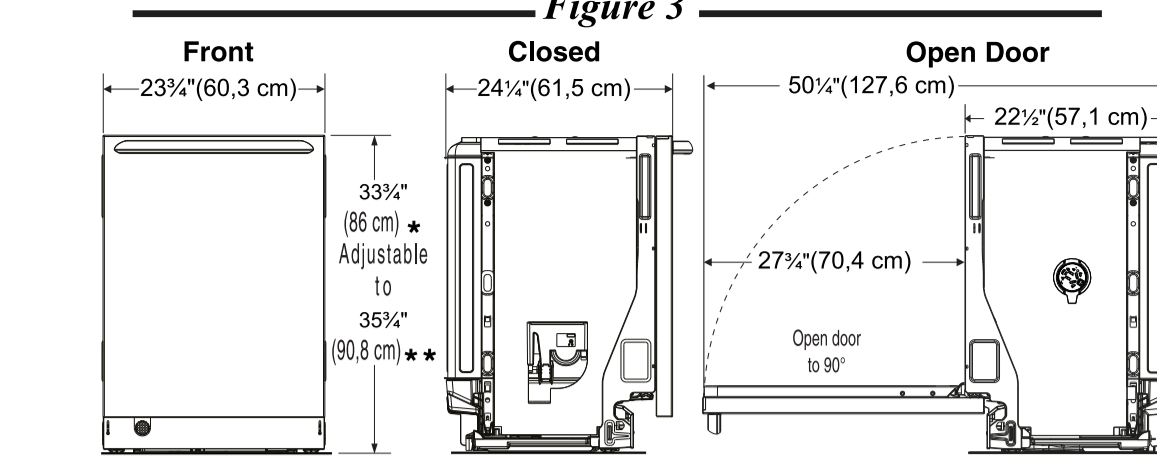
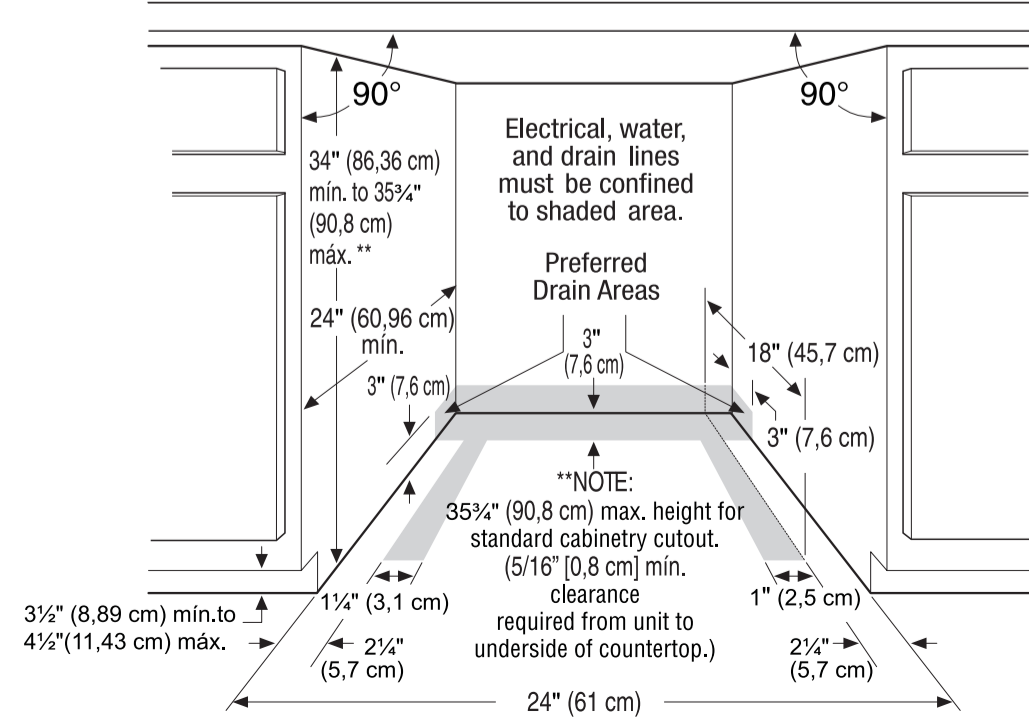
Roughing In 3

WARNING

Electric Shock Hazard
 Observe all local codes and ordinances for electrical and plumbing connections. All electrical and plumbing work should be performed by qualified persons. Failure to follow this warning could result in death or serious injury.

Figure 2

1. Make sure your location has the correct drain, water, and electrical outlets to make the connections. Do not install unit under a cooktop range. Damage to tub or other components will occur.



** Height only adjustable to 35 3/4" (90,8 cm) max when installed in 35 3/4" (90,8 cm) max standard cabinetry cutout.
 * DIMENSIONS DO NOT INCLUDE INSULATION - INSULATION BLANKET MAY BE COMPRESSED UPON INSTALLATION.

IMPORTANT: For proper operation and appearance of unit, cabinet opening should have dimensions as shown in Figure 2. If unit is to be placed in a corner, there must be at least a 2-inch side clearance between the wall and the open door.
 2. Floor should be flat and free of any obstruction.

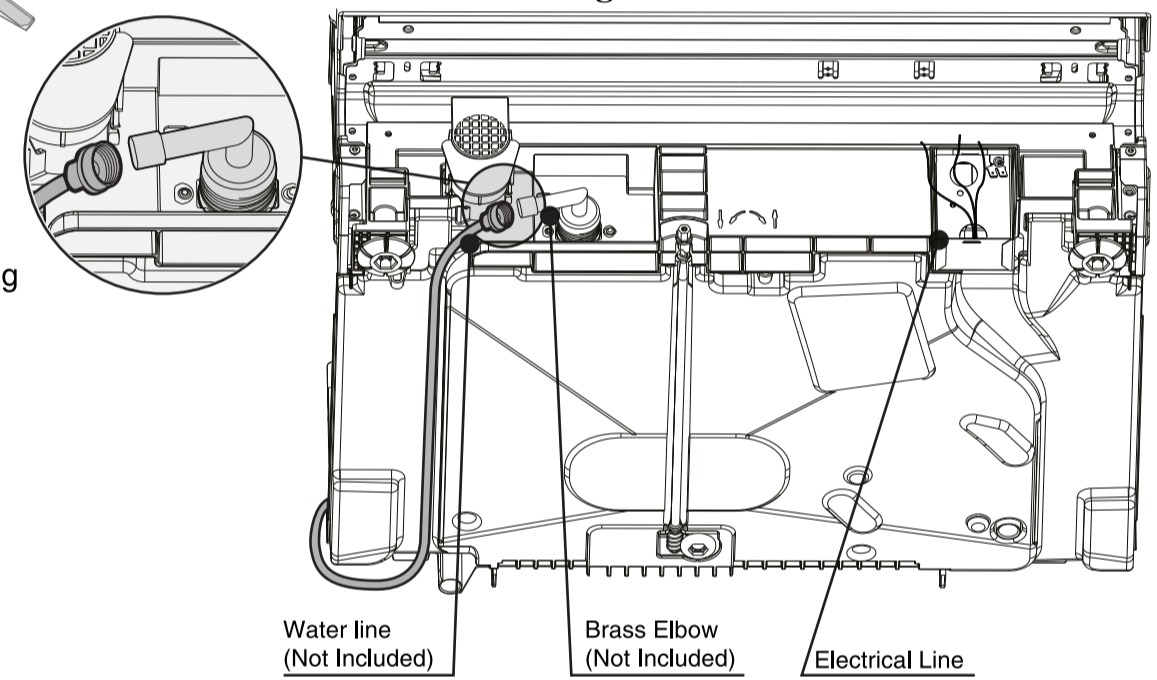
IMPORTANT: Drain, water, and electrical lines should be roughed-in before going any further.

WARNING

Electric Shock Hazard
 Electrical, water, and drain lines must be confined to shaded areas in Figure 2. Electric conductors, water, and drain could be damaged. Failure to follow these instructions could result in fire or electric shock.

NOTE: If dishwasher is installed at end of a cabinet, sides and back must be fully enclosed.

Figure 4



Connections For Electrical, Water, and Drain 4

Locating the Connections

1. Review dimensions in Figure 2 to locate dishwasher's drain, water, and electrical connections.
2. All utilities must be routed in shaded area in the Figure 2

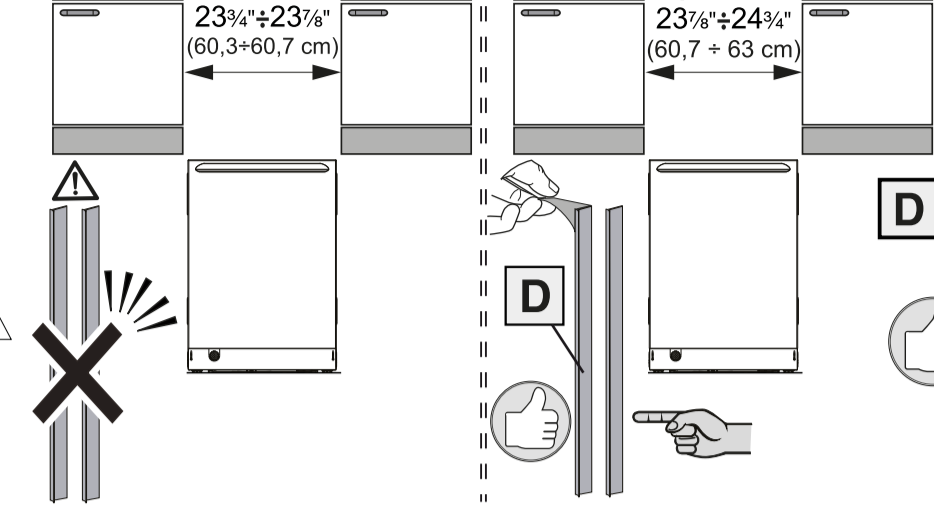
WARNING

IMPORTANT: Disconnect power before starting installation.

- Note:** Locate the electrical supply and dishwasher's electrical junction box on right underside of unit behind kickplate assembly. See Figure 4. Determine where you will connect to hot water supply. Review Figure 4 and note the location of water inlet valve. Determine where you will connect the drain hose.
3. Cut access holes for the Electrical, Water and Drain hoses in the cabinet within the shaded areas as shown in Figure 2.
 4. The dishwasher operates on a 120 volt, 60 Hz electrical supply. Provide a separate circuit with a fuse or circuit breaker rated for at least 15 amps (20 amps if connected with disposer) but not more than 20 amps.
 5. Pull electrical cable through hole into installation area.
 6. Be sure water inlet valve is protected from freezing. If valve freezes and ruptures, flooding may occur.
 7. Determine amount of tubing needed to connect hot water supply to the unit's water inlet valve. **Extra hose length is necessary** High-pressure and high-temperature Stainless Flexible hose with a minimum inner diameter of 1/4" may be used. A shut-off valve installed **outside** dishwasher cabinet is best.
 8. Route water supply line into installation area.
 9. Stand dishwasher back upright for further installation.
- IMPORTANT:** Incoming hot water temperature should be at least 120°F (49°C). Water pressure should be between 20–90 psi.

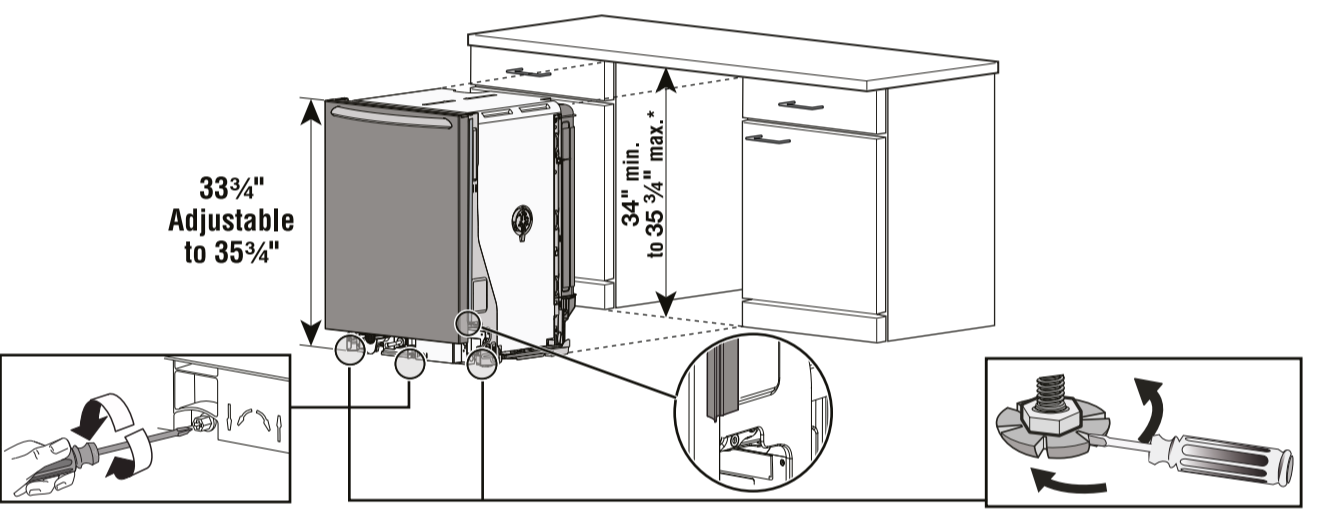
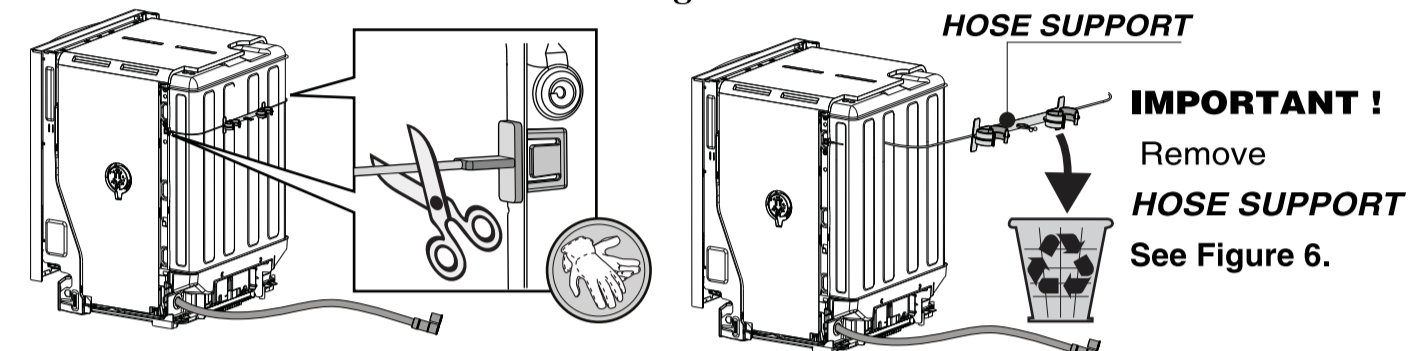
Figure 5

NOTE: Install cabinet seal to dishwasher before placing it into the cabinet



Leveling and Securing Dishwasher within Cabinets 5

Figure 6



1. Measure height of cabinet opening from underside of countertop to floor.
2. Move dishwasher to front of installation area.
3. Adjust the leveling legs.

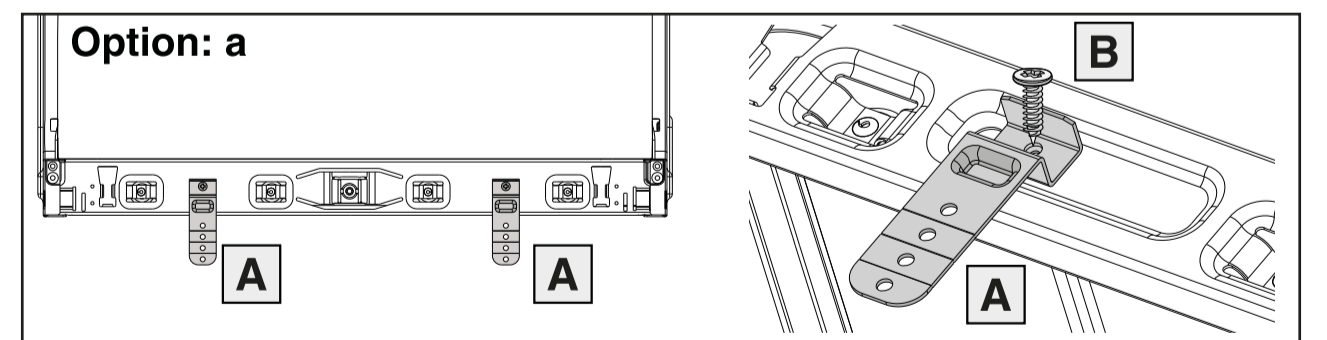
Dishwasher Anchoring

4. Choose one of the following methods of attachment below to secure the unit. For either top mount or side mount methods, use the (2) mounting clips provided and Pre-drill holes into the mounting surface using a Ø 13/64 (Ø 5 mm) drill bit to prevent damage to the cabinetry or countertop.

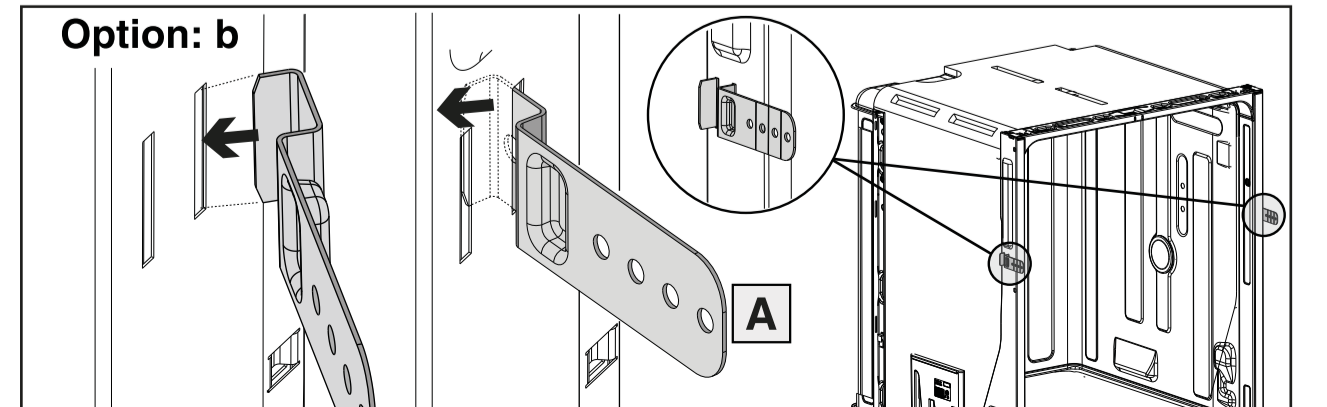
CAUTION: Use extreme care in mounting the dishwasher as to not scratch, bump or otherwise damage the console or tub.

To install the Side Mounting Clips.

Top Mount Option: a
Note: Depending on the depth of the cabinet, the top mount clips have break off points which can be removed for a flush installation if necessary.



Side Mount Option: b
 Install Side Mount Brackets before units is installed into the cabinet. Insert screws into the front hole of the clips only. Use **extreme caution** when attaching brackets to avoid scratching to the dishwasher or the surrounding cabinets. Depending on the depth of the cabinet, the clips have breakoff points which can be removed for a flush installation if necessary.



- Carefully place dishwasher inside cabinet area such that is centered in opening. Use caution when moving dishwasher to prevent damage to cabinet, dishwasher and floor.
- Front of door needs to be even with the front of adjoining cabinets. Front levelers should allow 5/16" (0,8 cm) below underside of countertop to top of console.
- Check that dishwasher is level from side to side by placing a level against the top front section of the tub. See Figure 7a.

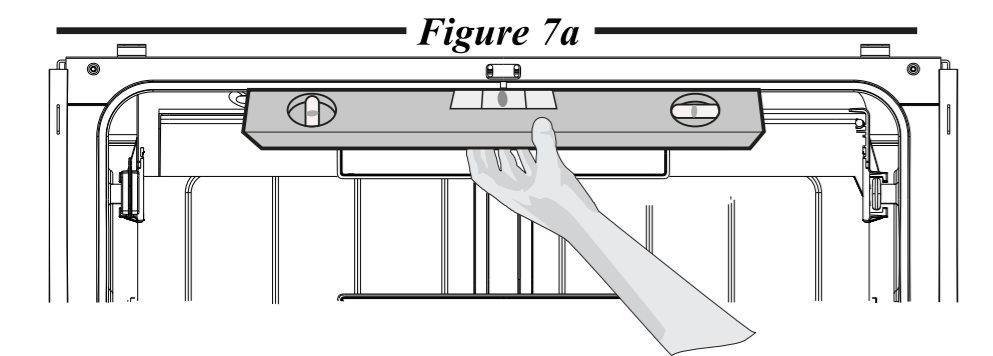


Figure 7a

- Adjust levelers up or down until dishwasher is level. See Figure 7b/c.

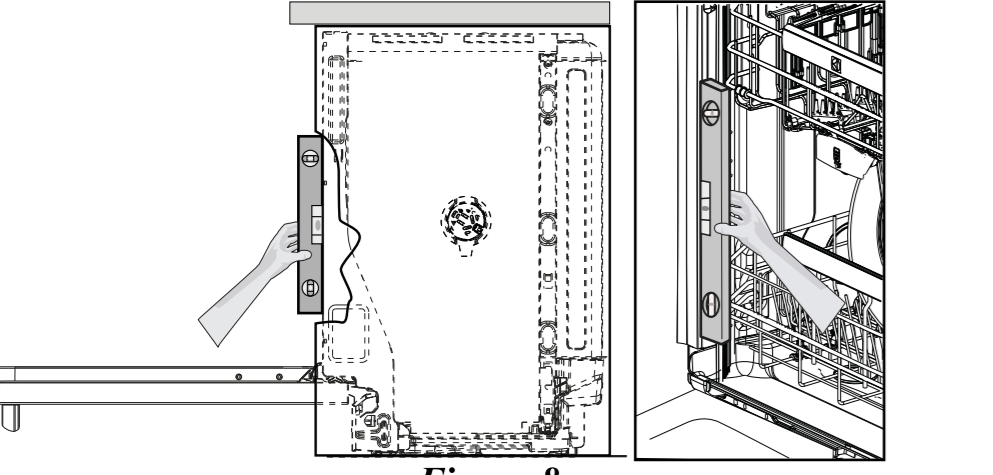
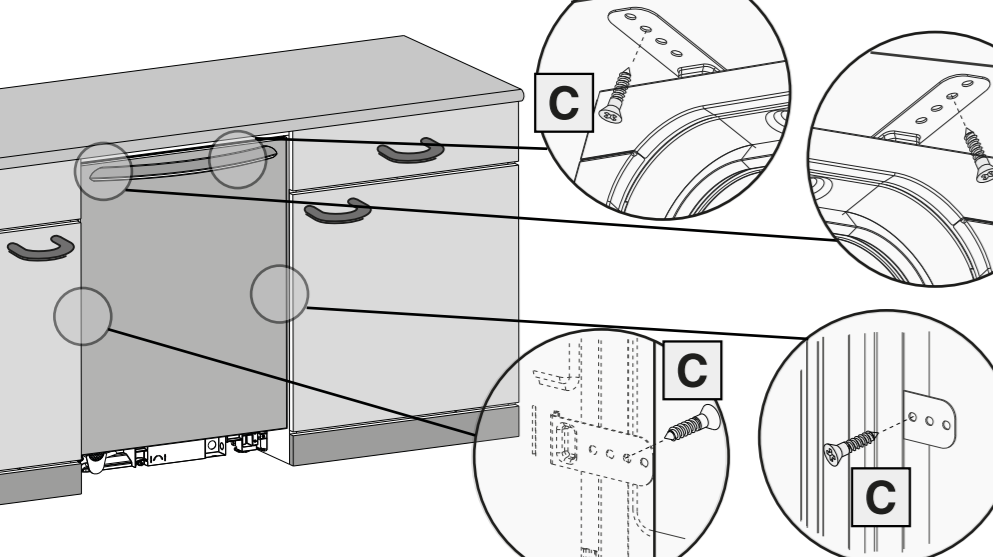
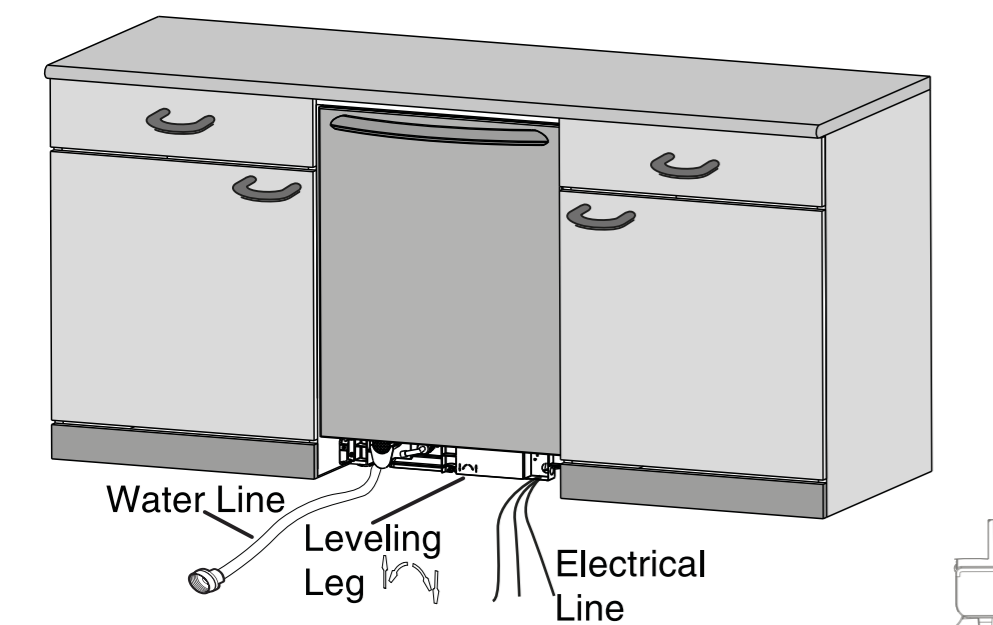


Figure 7b Figure 7c



- Holes need to be pre-drilled using a $\varnothing 13/64$ ($\varnothing 5$ mm) drill to secure unit
- Screw mounting brackets firmly to cabinet using screws provided in installation packet. See Figure 8
- Open and close dishwasher door slowly. Ensure that there is clearance to the console. Adjust accordingly, adjust rear foot if small correction is needed until door opens and closes freely. Adjust the levelling legs.

Installation Diagram 6



- check these items:**
- Water and electrical lines are straight out in front of the dishwasher.
 - All three leg levelers are positioned properly.
 - Cabinet Seals are positioned on the sides of the dishwasher.
 - Cabinet Attachment Clips are attached to the cabinet on both corners on top of the dishwasher.

Finishing the Water and Electrical Connection 7

CAUTION

Property Damage
Do not solder within 6" (15,24 cm) of the water inlet valve. Damage to the plastic parts in the valve may occur.

Use care that no sealer, dirt, or other objects enter the valve. Damage to the filter screen may occur.

Be sure the dishwasher is placed where the water inlet valve will be kept from freezing. If the valve freezes, it may rupture and flooding may occur.

- Water Line**
- Flush water line before connecting it to water inlet valve to prevent early clogging of filter screen. Place a bunched towel over end of line to prevent splashing. Open water supply valve for a few seconds and let water drain into a pan. **Turn off water supply at shut-off valve.**
 - Route water line to water inlet valve as shown in Figure 4.
 - While firmly pulling water supply line into 90° elbow, tightly connect water supply to water inlet valve. Supply line must be free of kinks, scales, chips, and lubricants.
 - Turn on water supply and check for leaks.

- Electrical Supply**
- Remove junction box cover and pull house wiring into junction box. See Figure 9
 - Use a UL listed conduit connector (not included) at box to stabilize wiring.
 - Connect incoming black lead to dishwasher's black lead, incoming white lead to dishwasher's white lead and incoming green lead to dishwasher's green lead with wire nuts. (See Grounding Instruction Warning). Wire nuts must be tight.

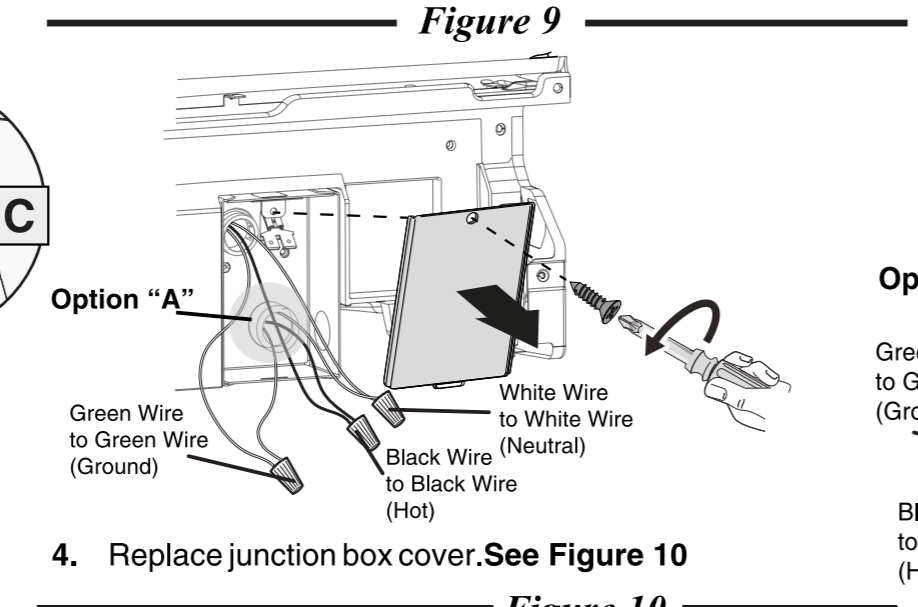
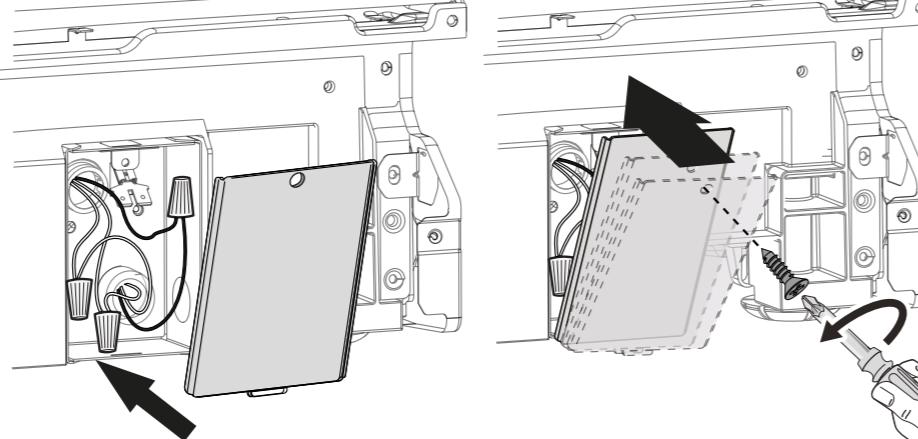
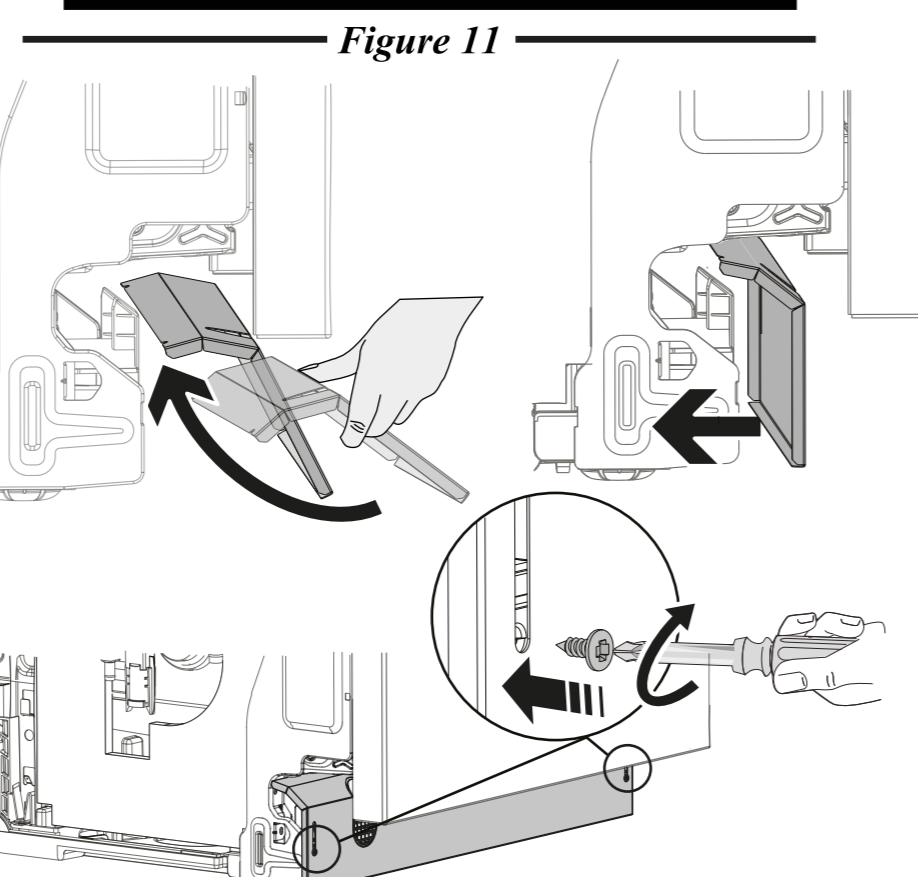


Figure 9



KICKPLATE ASSEMBLY



WARNING

Electric Shock Hazard

Grounding Instructions:
The dishwasher must be connected to a grounded metal, permanent wiring system or an equipment-grounding conductor must be run with the circuit conductors and connected to the appliance's equipment grounding terminal or lead. It is the consumer's responsibility to contact a qualified installer to make sure the electrical installation conforms with the National Electrical Code and local codes and ordinances.

Do not connect the dishwasher to the power supply until the appliance is permanently grounded. All wiring connections must be enclosed in the junction box. This unit has copper lead wires. Joining aluminum building wire to stranded copper wire should be done by a qualified electrician using materials recognized by UL and local codes. Do not use an extension cord. Such use can result in fire, electrical shock, or other personal injury. Failure to follow these instructions could result in death or serious injury.

- If you connect to a sink trap, local codes may require you to install an air gap kit, (not included). The drain hose will be routed from dishwasher to air gap inlet as shown in Figure 13. An air gap kit is available from a plumbing supply store. (If the drain hose is installed through the floor, an air gap is necessary).
- If you connect to a disposer, the large end of drain hose will fit. Figure 14 (a) The knock out plug must be removed from inside disposer inlet before making the final fit to drain hose. See Figure 14 (b).

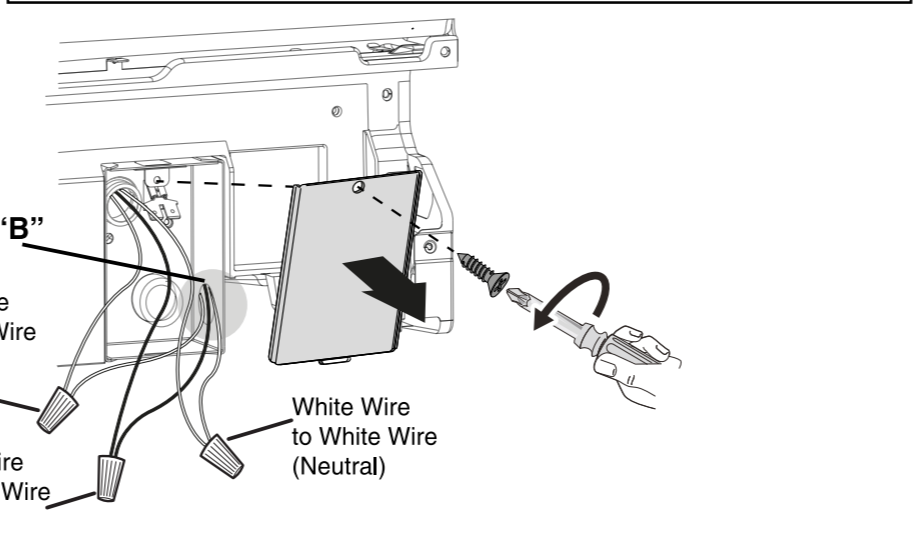


Figure 12

Finishing the Drain Connection 8

- Review Figures 12, 13 and 14 to see the different ways to connect dishwasher to drain system. Choose method that best suits your need.

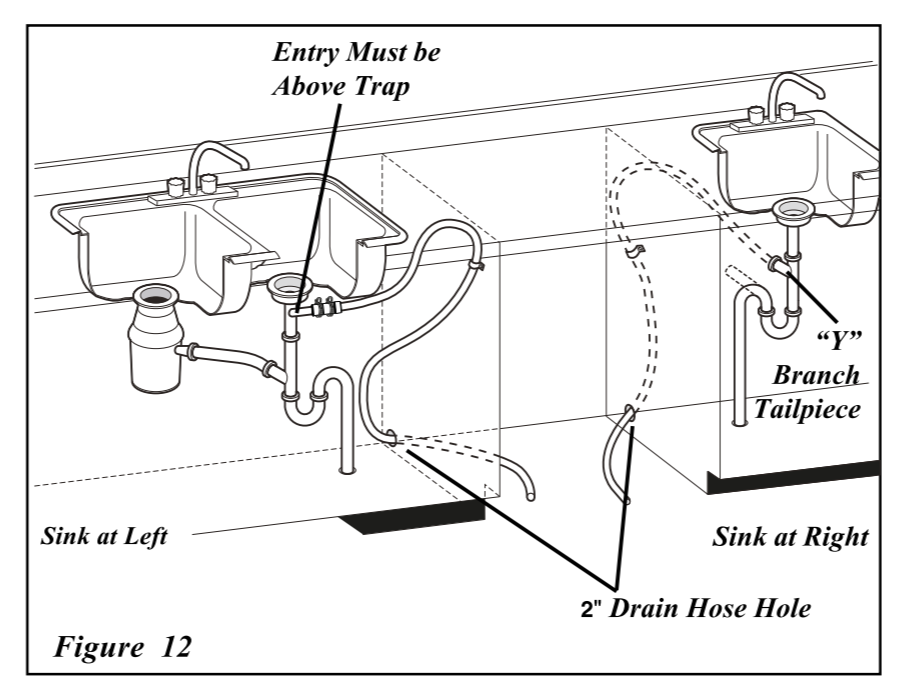


Figure 13

- If the cabinet wall is wood, sand edges of hole until smooth and rounded. If cabinet wall is metal, cover all sharp edges with electrical or duct tape to avoid cutting drain hose.
- Move unit back in place while routing drain hose through access hole. Use caution to prevent damage to the dishwasher, floor and cabinets. **IMPORTANT: Make sure there are no sharp bends or kinks that might restrict drain flow.**
- Secure drain hose to sink drain, disposer, or separate trap with a clamp. **IMPORTANT: Be careful not to overtighten clamp or you may damage end of hose.** Do not connect hose to horizontal pipe between sink drain and disposer.
- Be sure unit does not rest on drain hose. It should be free of electrical components and door springs. Do not cut corrugated drain hose. Pull excess through cabinet and place under sink. Make sure hose does not come in contact with any sharp edges.

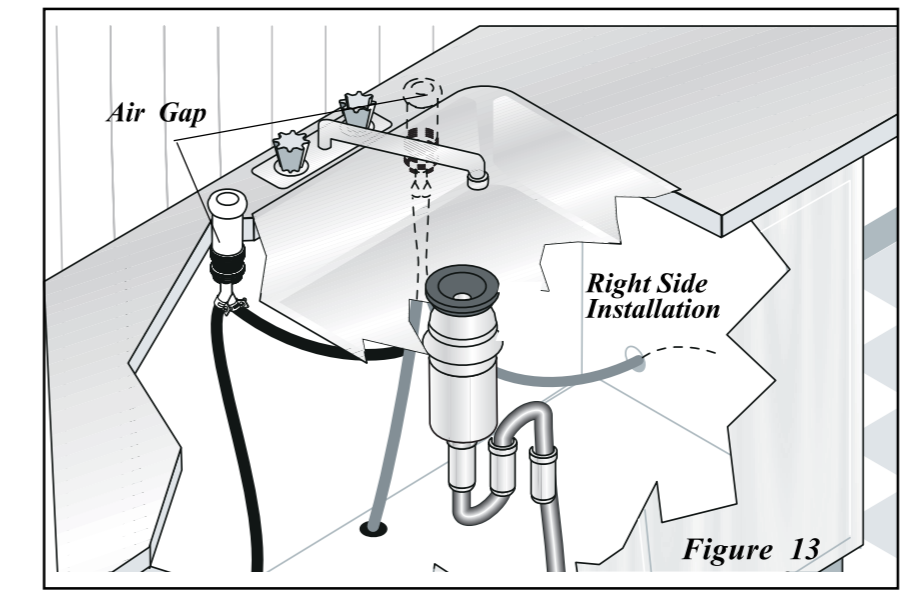


Figure 14(a)

- Remove the knock out plug from the disposer inlet. See Figure 14 (b).

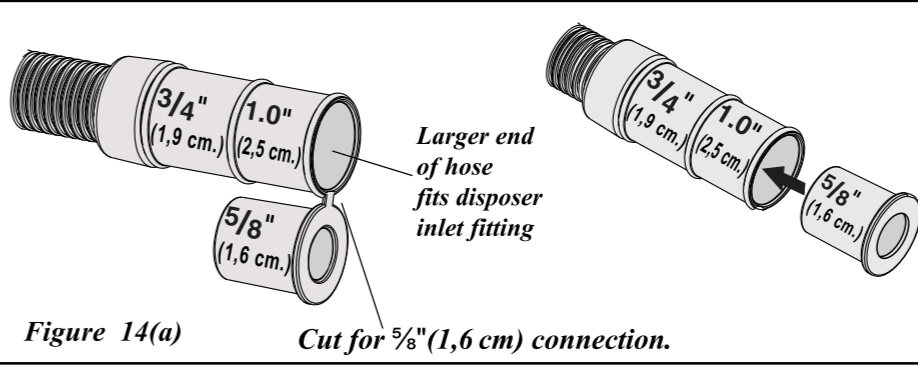


Figure 14(b)

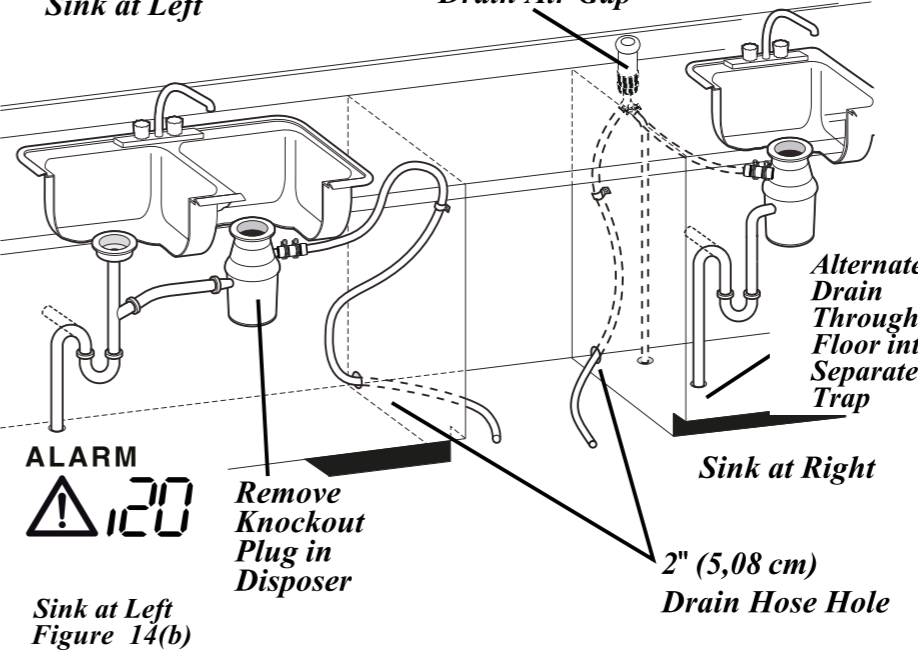


Figure 14

- If the cabinet wall is wood, sand edges of hole until smooth and rounded. If cabinet wall is metal, cover all sharp edges with electrical or duct tape to avoid cutting drain hose.
- Move unit back in place while routing drain hose through access hole. Use caution to prevent damage to the dishwasher, floor and cabinets. **IMPORTANT: Make sure there are no sharp bends or kinks that might restrict drain flow.**
- Secure drain hose to sink drain, disposer, or separate trap with a clamp. **IMPORTANT: Be careful not to overtighten clamp or you may damage end of hose.** Do not connect hose to horizontal pipe between sink drain and disposer.
- Be sure unit does not rest on drain hose. It should be free of electrical components and door springs. Do not cut corrugated drain hose. Pull excess through cabinet and place under sink. Make sure hose does not come in contact with any sharp edges.

WARNING

Electric Shock Hazard
Disconnect electrical power at the fuse box or circuit breaker box before beginning installation. Failure to follow this warning could result in death or serious injury.

CAUTION

Cut Hazard
Metal color panels are sharp and should be handled with care. Wear gloves to protect hands. Failure to follow this warning may result in injury.

CAUTION

Electric Shock Hazard
If all connections are correct, there are no leaks, and unit runs properly, replace the kickplate assembly before placing unit into operation. Failure to follow this warning could result in electric shock.

- Water and drain lines have no kinks and move freely behind the dishwasher.
- Water supply is turned on.
- Joints are free of leaks.
- Wiring connections to junction box are tight all access panels are secured back in place.
- Replace kickplate. See Figure 11
- Drain hose is connected properly to outlet.
- All packing materials and consumer literature have been removed from inside unit.
- Dishwasher is level and securely fastened.
- Open and close door to make sure it does not hit surrounding cabinet or countertop.
- Make sure that all wire ties are removed from the rack assembly

Checking the Installation 9

Operate the machine through at least one fill and pump-out, checking the following items:

- At first fill, approximately 4 minutes make sure water completely covers filter surface.
- At pump-out: (pump-out is either when the cycle is completed or canceled. refer to the Use and Care Manual for Start/Cancel), make sure all water is pumped out.
- Check water connections again for leaks.

First Use

