

# Frigidaire Gallery



## Single Wall Oven

27" Single Electric Wall Oven with Total Convection

GCWS2767AF, GCWS2767AD

Available Colors : Stainless Steel, Black Stainless Steel

Version : 01/22

### Cooking Controls

|                     |     |
|---------------------|-----|
| Air Fry             | Yes |
| Air Sous Vide       | Yes |
| Bake                | Yes |
| Bake Time           | Yes |
| Broil               | Yes |
| Cancel              | Yes |
| Clock               | Yes |
| Convection Bake     | Yes |
| Convection Roast    | Yes |
| Delay Start         | Yes |
| Fast Preheat        | Yes |
| Kitchen Timer       | Yes |
| Light               | Yes |
| My Favorite         | Yes |
| Off                 | Yes |
| Oven Light          | Yes |
| Preheat             | Yes |
| Probe               | Yes |
| Quick Preheat       | Yes |
| Self Clean          | Yes |
| Set Clock           | Yes |
| Start               | Yes |
| Start Time          | Yes |
| Steam Bake          | Yes |
| Steam Clean         | Yes |
| Steam Roast         | Yes |
| Stop                | Yes |
| Temperature Display | Yes |
| Timer On / Off      | Yes |
| User Preferences    | Yes |
| Warm and Hold       | Yes |

### Cooking Controls Function

|   |     |
|---|-----|
| Change between Continuous Bake Setting or 12-Hour Energy Saving Feature | Yes |
| Program Fahrenheit or Celsius   | Yes |

|                      |     |
|----------------------|-----|
| Silent Control Panel | Yes |
|----------------------|-----|

### Oven

|                           |                |
|---------------------------|----------------|
| Bake Element              | 2,500 Watts    |
| Bake Element Pass         | 8              |
| Bake Element Type         | Hidden         |
| Broil Element             | 4,000 Watts    |
| Broil Element Pass        | 6              |
| Broil System              | Yes            |
| Cleaning System           | Yes            |
| Convection                | Yes            |
| Convection Element        | 2,500 Watts    |
| Convection Type           | Total          |
| Number of Convection Fans | 1              |
| Number of Rack Positions  | 5              |
| Oven Interior Color       | Midnight Black |
| Oven Light Quantity       | 2              |
| Oven Light Type           | Halogen        |
| Oven Light Watts          | 40 Watts       |
| Rack Position Type        | Embossed       |
| Rack Type 1               | Handle         |
| Rack Type 1 Quantity      | 2              |
| Rack Type 2               | Glide          |
| Rack Type 2 Quantity      | 1              |

### Controls

|              |     |
|--------------|-----|
| Control Lock | Yes |
| Sabbath Mode | Yes |

### Display

|                         |                  |
|-------------------------|------------------|
| Control Location        | Top              |
| Display Interface Color | White            |
| Display Light Color     | White            |
| Display Type            | Capacitive Touch |

### Dimensions and Volume

Note: For planning purposes only. Always consult local and national electric, gas and plumbing codes.

Refer to Product Installation Guide for detailed installation instructions on the web at [frigidaire.com](http://frigidaire.com) / [frigidaire.ca](http://frigidaire.ca)

Specifications subject to change. Accessories information available on the web at [frigidaire.com](http://frigidaire.com) / [frigidaire.ca](http://frigidaire.ca)

USA • 10200 David Taylor Drive • Charlotte, NC 28262 • 1-800-FRIGIDAIRE • [frigidaire.com](http://frigidaire.com)

CANADA • 5855 Terry Fox Way • Mississauga, ON L5V 3E4 • 1-800-265-8352 • [frigidaire.ca](http://frigidaire.ca)

# Frigidaire Gallery

27" Single Electric Wall Oven with Total Convection GCWS2767AF, GCWS2767AD

Version : 01/22

|                          |             |
|--------------------------|-------------|
| Height                   | 29 1/2"     |
| Width                    | 27"         |
| Depth                    | 24 3/4"     |
| Depth With Door 90° Open | 45 3/4"     |
| Depth With Handle        | 27 7/16"    |
| Oven Interior Height     | 17"         |
| Oven Interior Width      | 20 1/2"     |
| Oven Interior Depth      | 18 3/4"     |
| Minimum Cutout Height    | 27 1/4"     |
| Minimum Cutout Width     | 24 7/8"     |
| Maximum Cutout Height    | 28 1/4"     |
| Maximum Cutout Width     | 25 1/4"     |
| Oven Capacity            | 3.8 Cu. Ft. |

## Electrical Specifications

|                          |         |
|--------------------------|---------|
| Amps @ 240 Volts         | 20 Amps |
| Connected Load @ 240V    | 4.5 kW  |
| Minimum Circuit Required | 20 Amps |
| Voltage Rating           | 240 V   |

## Installation

|                                  |           |
|----------------------------------|-----------|
| Power Supply Connection Location | Top Right |
|----------------------------------|-----------|

## General Specifications

|                        |        |
|------------------------|--------|
| Prop 65 Label          | Yes    |
| Warranty - Labor       | 1 Year |
| Warranty - Parts       | 1 Year |
| Frigidaire Fit Promise | Yes    |

## Certifications and Approvals

|                      |     |
|----------------------|-----|
| ADA Compliant        | Yes |
| Star-K Certification | Yes |

## Safety Certifications and Approvals

|           |     |
|-----------|-----|
| UL Listed | Yes |
| RoHS      | Yes |

Note: For planning purposes only. Always consult local and national electric, gas and plumbing codes.

Refer to Product Installation Guide for detailed installation instructions on the web at [frigidaire.com](http://frigidaire.com) / [frigidaire.ca](http://frigidaire.ca)

Specifications subject to change. Accessories information available on the web at [frigidaire.com](http://frigidaire.com) / [frigidaire.ca](http://frigidaire.ca)

USA • 10200 David Taylor Drive • Charlotte, NC 28262 • 1-800-FRIGIDAIRE • [frigidaire.com](http://frigidaire.com)

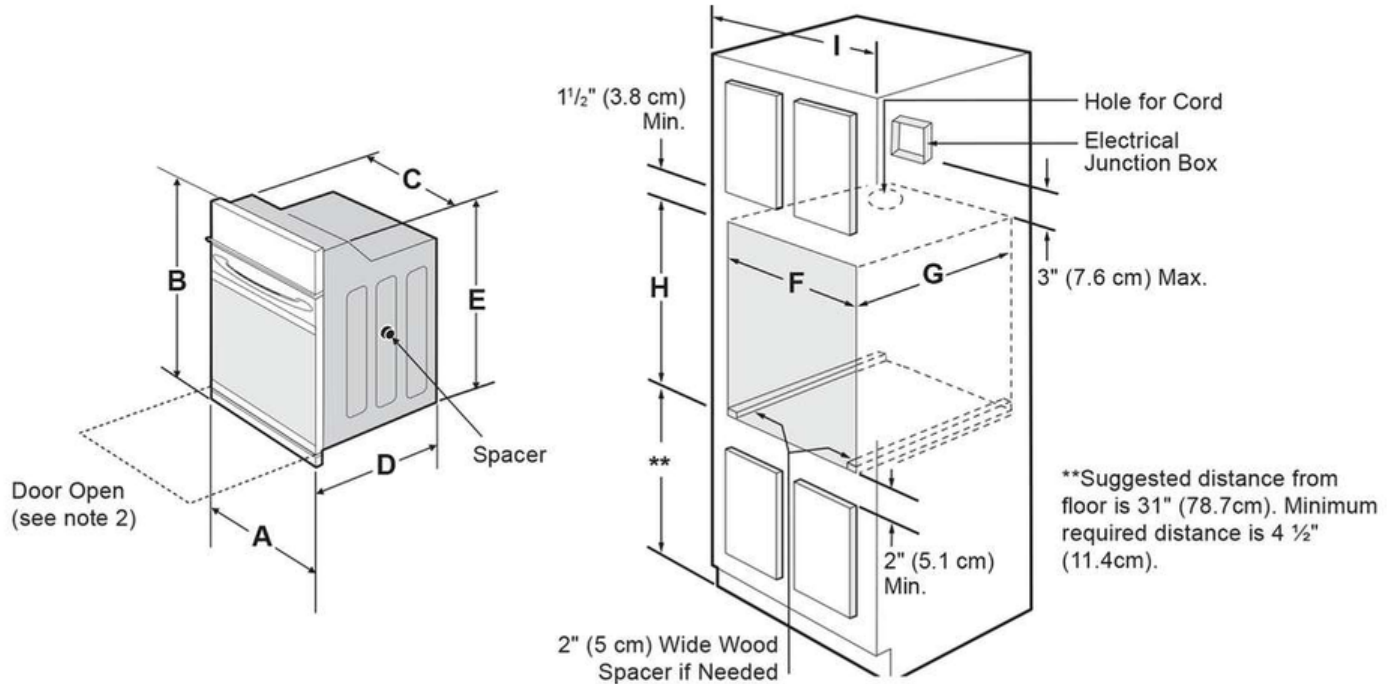
CANADA • 5855 Terry Fox Way • Mississauga, ON L5V 3E4 • 1-800-265-8352 • [frigidaire.ca](http://frigidaire.ca)

# Frigidaire Gallery

27" Single Electric Wall Oven with Total Convection

GCWS2767AF, GCWS2767AD

Version : 01/22



## NOTES:

1. Allow at least 21" (53.3 cm) clearance in front of oven for door depth when it is open.
2. Dimension G (cutout depth) is critical to the proper installation of the built-in oven. If the oven trim does not butt against the cabinet, or if noise is heard on convection models, verify dimension G to assure it is the required depth.
3. For a cutout height greater than 27<sup>3</sup>/<sub>4</sub>" (70.5) add 2" (5 cm) wide wood shims of appropriate height to each side of the opening under the appliance side rails. You can order a larger bottom trim through a service center.
4. If the junction box is below the oven, longer conduit cables are available through a service center.

| PRODUCT DIMENSIONS                    |                                       |                                       |  |                                       |   |
|---------------------------------------|---------------------------------------|---------------------------------------|--|---------------------------------------|---|
| A                                     | B                                     | C                                     | D  |                                       | E   |
| 27 (68.6)                             | 29 <sup>1</sup> / <sub>2</sub> (74.9) | 24 <sup>5</sup> / <sub>8</sub> (62.5) | 24 <sup>3</sup> / <sub>4</sub> (62.9)        |                                       | 27 <sup>1</sup> / <sub>4</sub> (69.2)     |
| CUTOUT DIMENSIONS AND CABINET WIDTH   |                                       |                                       |  |                                       |   |
| F                                     |                                       | G                                     | H. Standard Height<br>(**Others, see note 3) |                                       | I   |
| Min.                                  | Max.                                  | Min.                                  | Min.   | Max.                                  |   |
| 24 <sup>7</sup> / <sub>8</sub> (63.2) | 25 <sup>1</sup> / <sub>4</sub> (64.1) | 24 (61.0)                             | 27 <sup>1</sup> / <sub>4</sub> (69.2)        | 28 <sup>1</sup> / <sub>4</sub> (71.8) | 27 <sup>1</sup> / <sub>8</sub> (68.9) Min |

Note: For planning purposes only. Always consult local and national electric, gas and plumbing codes.

Refer to Product Installation Guide for detailed installation instructions on the web at [frigidaire.com](http://frigidaire.com) / [frigidaire.ca](http://frigidaire.ca)

Specifications subject to change. Accessories information available on the web at [frigidaire.com](http://frigidaire.com) / [frigidaire.ca](http://frigidaire.ca)

USA • 10200 David Taylor Drive • Charlotte, NC 28262 • 1-800-FRIGIDAIRE • [frigidaire.com](http://frigidaire.com)

CANADA • 5855 Terry Fox Way • Mississauga, ON L5V 3E4 • 1-800-265-8352 • [frigidaire.ca](http://frigidaire.ca)