

# Frigidaire



## French Door Refrigerator

28.8 Cu. Ft. French Door Refrigerator

FRFN2823AS

Available Colors : Stainless Steel

Version : 11/21

### Refrigerator

Adjustable Temperature Drawer	No
Air Filter	Yes
Crisper Color	Clear
Door Bin Color	Clear
Humidity Controls	Manual
Interior Lighting	LED
Produce Keeper Ready	Yes
Produce Keeper Included	No
Shelf Material	Glass
Water Filter	Yes
Number of Adjustable Gallon Plus Door Bins	3
Number of Fixed Condiment Door Bins	2
Number of Fixed Gallon Plus Door Bins	3
Total Number of Door Bins	8
Number of Adjustable Shelves	2
Number of Fixed Shelves	1
Number of Crispers	2

### Freezer

Auto Close Drawer	Yes
Automatic Defrost	Yes
Basket Divider	Yes
Baskets / Bins Color	White
Interior Lighting	LED
Shelf Material	Glass
Number of Baskets / Bins	1
Number of Pull Out Shelves	1
Total Number of Shelves	1

### Ice Maker

Ice Maker	Yes
Ice Maker Location	Frozen Section
Ice Shape	Square

### Controls

Air Filter Indicator	Yes
Control Location	Side of Door
Digital Display	Yes
Door Ajar Alarm	Yes
Ice Maker On/Off	Yes
Internal Control Lock	Yes
Mute Sound Control	Yes
On/Off Display	Yes
Power Failure Alarm	Yes
Power On/Off	Yes
Sabbath Mode	Yes
Water Filter Indicator	Yes

### Dispenser

Water	Yes
-------	-----

### Exterior

Counter-Depth	No
Door Finish	Smooth
Door Stops	Yes
Front Rollers	Yes
Rear Rollers	No

### Dimensions and Volume

Height With Hinge	70"
Height Without Hinge	68 3/10"
Width	36"
Width of Cabinet	35 6/10"
Depth of Cabinet	28 1/2"
Depth With Door	33 3/10"
Depth With Door 90° Open	47 3/10"
Depth With Door and Handle	35 7/10"
Freezer Capacity	9 Cu. Ft.
Fresh Food Capacity	19.8 Cu. Ft.
Total Capacity	28.8 Cu. Ft.

Note: For planning purposes only. Always consult local and national electric, gas and plumbing codes.

Refer to Product Installation Guide for detailed installation instructions on the web at [frigidaire.com](http://frigidaire.com) / [frigidaire.ca](http://frigidaire.ca)

Specifications subject to change. Accessories information available on the web at [frigidaire.com](http://frigidaire.com) / [frigidaire.ca](http://frigidaire.ca)

USA • 10200 David Taylor Drive • Charlotte, NC 28262 • 1-800-FRIGIDAIRE • [frigidaire.com](http://frigidaire.com)

CANADA • 5855 Terry Fox Way • Mississauga, ON L5V 3E4 • 1-800-265-8352 • [frigidaire.ca](http://frigidaire.ca)

# Frigidaire

28.8 Cu. Ft. French Door Refrigerator

FRFN2823AS

Version : 11/21

## Connectivity

Annual Energy	652 kWh
Condenser Type	Dynamic
Cooling System	Single Evaporator
Leveling Legs	Yes
Prop 65 Label	Yes
Refrigerant Type	R-600A
Warranty - Labor	1 Year
Warranty - Parts	1 Year
Wi-Fi Enabled	No

## Performance Certifications and Approvals

ENERGY STAR Certified	Yes
-----------------------	-----

## Safety Certifications and Approvals

CSA Listed	Yes
------------	-----

Note: For planning purposes only. Always consult local and national electric, gas and plumbing codes.

Refer to Product Installation Guide for detailed installation instructions on the web at [frigidaire.com](http://frigidaire.com) / [frigidaire.ca](http://frigidaire.ca)

Specifications subject to change. Accessories information available on the web at [frigidaire.com](http://frigidaire.com) / [frigidaire.ca](http://frigidaire.ca)

USA • 10200 David Taylor Drive • Charlotte, NC 28262 • 1-800-FRIGIDAIRE • [frigidaire.com](http://frigidaire.com)

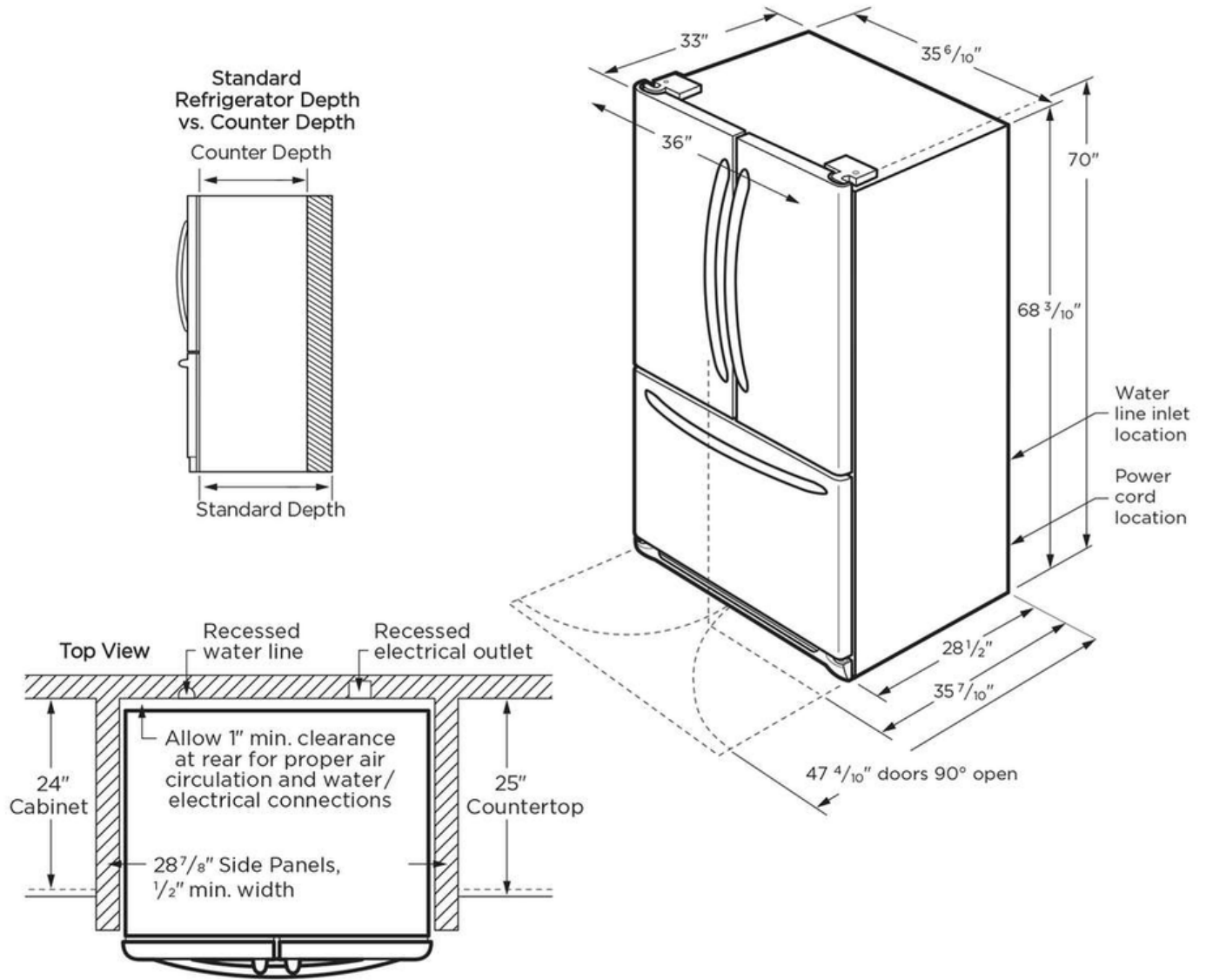
CANADA • 5855 Terry Fox Way • Mississauga, ON L5V 3E4 • 1-800-265-8352 • [frigidaire.ca](http://frigidaire.ca)

# Frigidaire

28.8 Cu. Ft. French Door Refrigerator

FRFN2823AS

Version : 11/21



Note: For planning purposes only. Always consult local and national electric, gas and plumbing codes.

Refer to Product Installation Guide for detailed installation instructions on the web at [frigidaire.com](http://frigidaire.com) / [frigidaire.ca](http://frigidaire.ca)

Specifications subject to change. Accessories information available on the web at [frigidaire.com](http://frigidaire.com) / [frigidaire.ca](http://frigidaire.ca)

USA • 10200 David Taylor Drive • Charlotte, NC 28262 • 1-800-FRIGIDAIRE • [frigidaire.com](http://frigidaire.com)

CANADA • 5855 Terry Fox Way • Mississauga, ON L5V 3E4 • 1-800-265-8352 • [frigidaire.ca](http://frigidaire.ca)