



French Door Refrigerator

FPBS2777RF

27 Cu. Ft. Standard-Depth



Product Dimensions

Height (Including Hinges & Rollers)	69-7/8"
Width (Doors)	36"
Depth (Including Door)	33-3/8"

More Easy-To-Use Features

SpacePro™

Adjustable Crisper Bins

Keeps foods fresh and accessible. Adjusts to 3 different configurations — stacked, diagonal, side-by-side.

SpacePro™ Slide-Under & Flip-Up Shelves

Adjusts to fit a variety of foods and beverages, big or small, for quick access.

SpacePro™ Full-Width Drawer

Keep a variety of foods fresh and easily accessible with our SpacePro™ Drawer.

SpacePro™ Door Bins

Access fresh food from our gallon-size door bins quickly.

SpacePro™ Freezer System

Optimize your freezer space with our SpacePro™ Freezer System featuring the PowerGlide™ Freezer Drawer and SpacePro™ Freezer Basket with Adjustable Divider that keeps frozen foods organized and accessible.

Two Ice Makers

Be ready for any occasion with a second ice maker.

PowerGlide™ Freezer Drawer

Frozen foods at your fingertips with our PowerGlide™ Freezer Drawer that glides out smoothly and fully extends.

SpacePro™ Freezer Basket with Adjustable Divider

Keep frozen foods organized and accessible.

Sabbath Mode (Star-K® Certified)

Available in:



Stainless (F)

¹Based on a six-hour closed door test of certain common odors in the fresh food compartment of a 21 Cu. Ft. refrigerator.

²PureSource® Ultra II water filters remove 99.3% of lead and 99.99% of cysts from your household water. Tested and certified by NFS International. See performance data sheet for individual contaminants and reduction performance.

Signature Features



PureAir® Filtration System

Fresh air offers great taste. PureAir® Filtration removes up to 7 times more odor than baking soda to keep ingredients tasting fresh by removing odor particles with fast-acting, highly absorbent carbon technology.¹



SpacePro™ Shelving System

Offers quick access to fresh ingredients with organizational solutions designed for space optimization like SpacePro™ Slide-Under & Flip-Up Shelves and SpacePro™ Adjustable Crisper Bins.



Smudge-Proof™ Stainless Steel

Resists fingerprints and cleans easily.



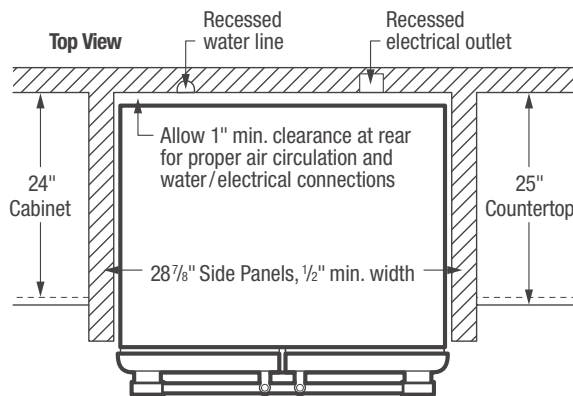
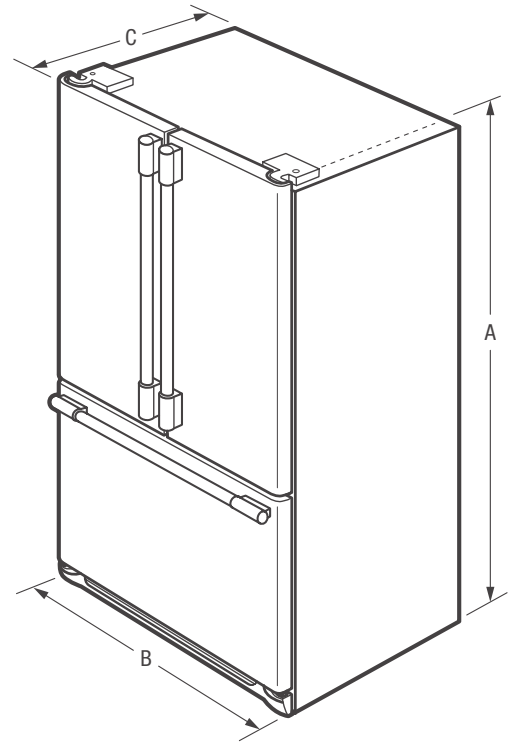
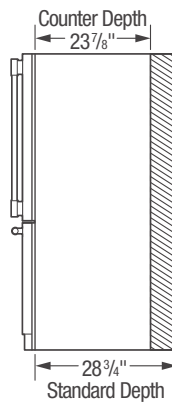
PureSource Ultra II® Water Filtration

Drink and cook with pure, clean water. Get instant access to clean, pure water straight from your refrigerator with PureSource Ultra II® Filtration.²

Features	
Door Design	Square Doors
Door Handle Design	Stainless Steel
Cabinet Finish	Grey
Door Stops/Door Closers	Yes/Yes
Door Hinge Covers	Hidden
Rollers - Front/Rear	Adjustable/Yes
Energy Saver Plus Technology	Yes
Water Filter Location	Top-Right Fresh Food Section
Sound Package	Quiet Design
Dispenser	
Controls	PrecisionPro™
Dispenser Design	Flush, Single-Paddle
Number of Dispenser Buttons	16
Crushed Ice/Cube Ice/Chilled Water	Yes/Yes/Yes
Ice Option/Freeze Option	No/PowerPlus® Freeze
Display On/Off Option	
Lock/Light	No/Yes
Temp/Door Ajar/Power Failure Alerts	Yes/Yes/Yes
Water Filter Change Indicator Light	Yes
Air Filter Change Indicator Light	Yes
Refrigerator Features	
Lighting	PowerBright™ LED
Water Filter Type	PureSource Ultra II*
Air Filter Type	PureAir®
Quarter-Width Fixed Shelves	1
Half-Width Fixed Shelves	1
Quarter-Width Sliding Shelves	
Half-Width Sliding Shelves	2 SpacePro™
Cantilever Shelves	Yes
SpacePro™ Full-Width Drawer	1
Hanging Wine Rack/Can Dispenser	1 Clear/1 White SpacePro™
SpacePro™ Adjustable Crisper Drawer/Humidity Controls	2 Clear/2
Dairy Compartment	1 Clear (Right Door)
SpacePro™ Fixed Door Bins	2 White (1 per door)
2-Liter Fixed Door Bins	1 Clear
Gallon Adjustable Door Bins	2 Clear
2-Liter Adjustable Door Bins	
Dispenser Bin	
Non-Slip Bin Liner/Bottle Retainers	3 Grey/No
Freezer Features	
PowerGlide™ Pull-Out Drawer	Yes
Sliding Full-Width Freezer Baskets	2 SpacePro™
Basket Dividers	1 (Bottom Basket)
Lighting	PowerBright™ LED
Automatic Ice Maker (2nd Ice Maker)	Yes
Certifications	
Sabbath Mode (Star-K® Certified)	Yes
Specifications	
Total Capacity (Cu. Ft.)	27.8
Refrigerator Capacity (Cu. Ft.)	19
Freezer Capacity (Cu. Ft.)	8.7
Power Supply Connection Location	Right Bottom Rear
Water Inlet Connection Location	Left Bottom Rear
Voltage Rating	120V/60Hz/15A
Connected Load (kW rating) @ 120 Volts ¹	1.02
Amps @ 120 Volts	8.5
Minimum Circuit Required (Amps)	15
Shipping Weight (Approx.)	365 Lbs.

¹For use on adequately wired 120V, dedicated circuit having 2-wire service with a separate ground wire. Appliance must be grounded for safe operation.

Standard Refrigerator Depth vs. Counter Depth



NOTE: For planning purposes only. Always consult local and national electric and plumbing codes. Refer to Product Installation Guide for detailed installation instructions on the web at frigidaire.com.



Product Dimensions	
A - Height (Incl. Hinges & Rollers)	69-7/8"
B - Cabinet Width/Door Width	35-7/8" / 36"
C - Depth (Incl. Door)	33-3/8"
Depth with Door Open 90°	47-3/8"
Depth with Drawer Fully Extended (Incl. Handle)	55"

Accessories information available on the web at frigidaire.com



Freestanding Range

FPGF3077QF

30" Gas



Product Dimensions

Height (Max.)	47-3/4"
Width	29-7/8"
Depth (Including Handle)	29-1/4"

More Easy-To-Use Features

Built with American Pride

Designed, engineered and assembled in the U.S.A.

PowerPlus® Burner

Quickly boil, saute, and sear foods at high heat with the PowerPlus® 18,000 BTU burner.

PrecisionPro Controls™

Prepare a range of dishes with precision, whether you're simmering, sautéing, searing or boiling.

Convection Conversion

Automatically converts the convection oven to the ideal cooking time for evenly cooked dishes.

Oval Burner

Great to pair with a griddle when cooking dishes like steaks or pancakes.

Durable, Continuous Grates

Cook a variety of dishes at the same time with ease. Our durable, continuous grates allow you to slide a variety of heavy pots and pans across burners. Plus, they're dishwasher-safe.

Dual Timers

Set a timer for both your cooktop and oven when cooking dishes simultaneously.

2-Hour Self-Clean

A powerful, quick clean for your oven in just 2 hours with PowerPlus® Self-Clean Cycle.

Sabbath Mode (Star-K® Certified)

Available in:



Stainless (F)

Burners	BTU
Right Front	18,000
Right Rear	5,000
Left Front	9,500
Left Rear	12,000
Center Oval	10,000

Signature Features



PowerPlus® Convection

Powerful performance delivers consistent results. Evenly cooked dishes, every time, with PowerPlus® Convection Bake and Roast.



PowerPlus® Temperature Probe

Ensures great results the first time. Set and monitor dish temperature with the PowerPlus® Temperature Probe.



PowerPlus® Preheat

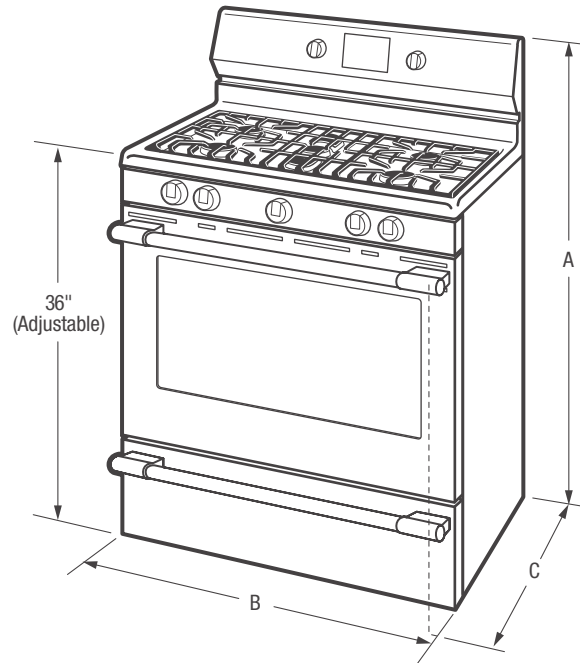
With PowerPlus® Preheat, your oven is ready in a few minutes for a powerful start to every delicious meal.



Smudge-Proof™

Resists fingerprints and cleans easily.

Features	
Oven Control/Timing System	PrecisionPro Controls™
Surface Type	Black Porcelain
Sealed Gas Burners	Yes
Grates	Continuous Cast Iron w/Black Matte Finish
Window	Extra-Large with Black-Tint Finish
Exterior Door Finish	Smudge-Proof™ Stainless Steel
Handle Design	Stainless Steel
Exterior Finish (Side Panels)	Stainless Steel
Convection System	PowerPlus® Single-Fan Convection
Oven Cleaning System	Self Clean
Drawer Functionality	Storage
Oven Controls	
Bake/Broil	Yes/Variable (400 - 500 °F)
Effortless™ Convection Conversion	Yes
Convection Bake/Broil/Roast	Yes/No/Yes
PowerPlus® Convection	Yes
PowerPlus® Preheat	Yes
PowerPlus® Temperature Probe	Yes
Keep Warm	Yes
Self Clean	2, 3, 4 Hours
Rapid Clean Option	Yes
Delay Clean	2, 3, 4 Hours
Kitchen Timer/Timed Cook Option	Yes/Yes
Auto Oven Shut-Off	Yes
Oven Lock-Out	Yes
Cooktop Features	
Right Front Burner (BTU)	18,000
Right Rear Burner (BTU)	5,000
Left Front Burner (BTU)	9,500
Left Rear Burner (BTU)	12,000
Center Oval (BTU)	10,000
Oven Features	
Capacity (Cu. Ft.)	5.6
Oven Light	1
Hidden Bake Element	Yes
Rack Configuration	2 Heavy Duty Handle, 1 Offset
Baking System	Even Baking Technology
Broiling System	Vari-Broil™
Bake Burner/Broil Burner (BTU)	18,000/13,500
Optional Accessories	
Griddle/Grill (2-sided)	PN # 5304495353
LP Gas Conversion Kit	PN # GRLP4
Certifications	
Sabbath Mode (Star-K® Cert.)	Yes
Specifications	
Oven Interior (H x W x D)	20-5/8" x 24-3/8" x 19-1/4"
Power Supply Connection Location	Center Bottom Rear
Gas Supply Connection Location	Center Bottom Rear
Voltage Rating	120V/60Hz/15A
Amps @ 120 Volts	15
Shipping Weight (Approx.)	210

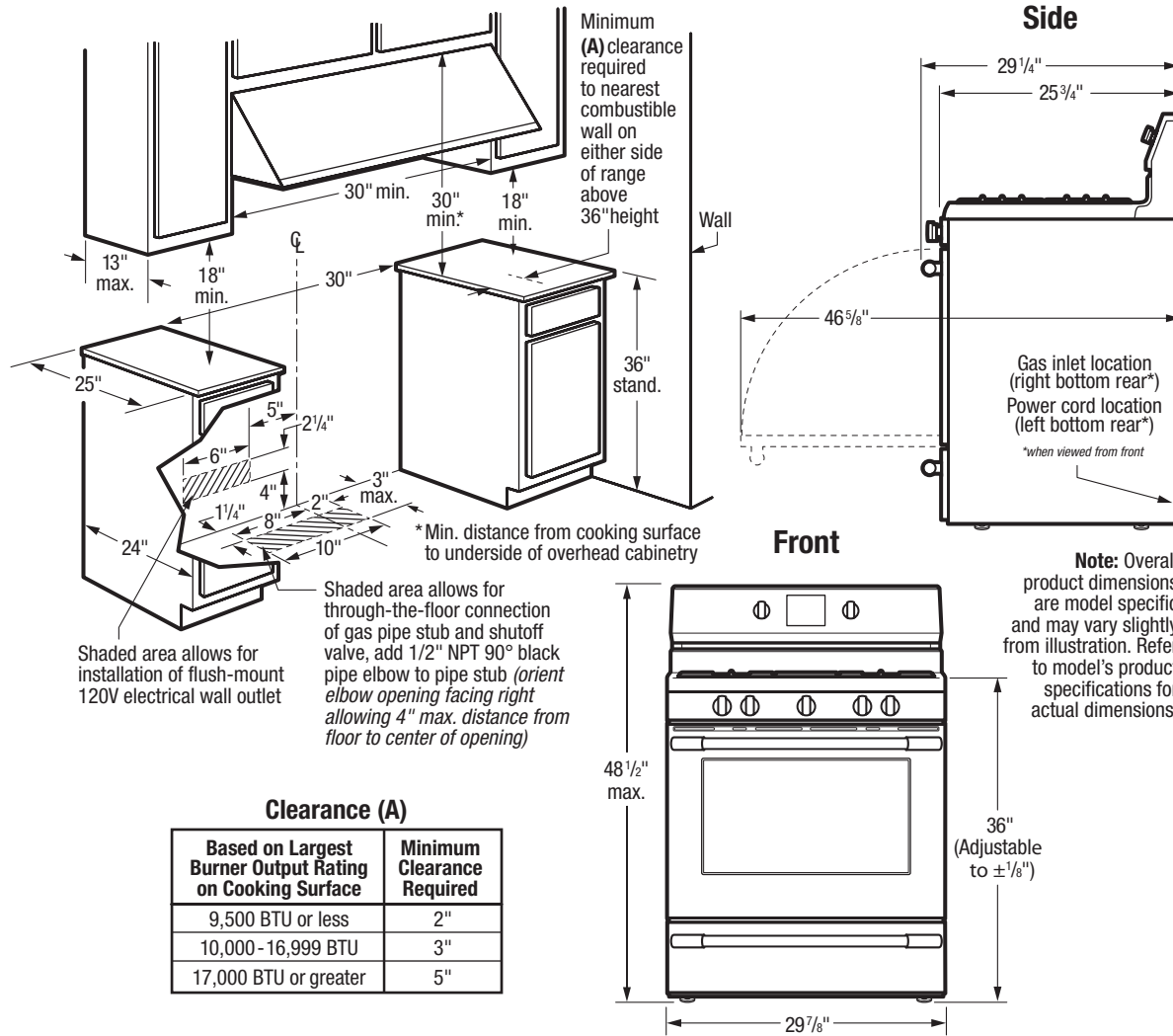


NOTE: For planning purposes only. Always consult local and national electric and gas codes. Refer to Product Installation Guide for detailed installation instructions on the web at frigidaire.com.



Product Dimensions		Cabinet Cutout Dimensions	
A-Height (Max.)	47-3/4"	Height (Standard)	36"
B-Width	29-7/8"	Width (Min.)	30"
C-Depth (Including Handle)	29-1/4"	Depth (Min.)	24"
Depth with Door Open 90°	46-5/8"		

Accessories information available on the web at frigidaire.com



Freestanding Range Specifications

- Product Shipping Weight (approx.) - 210 Lbs.
- Voltage Rating - 120V/60 Hz/15 Amps
- Amps @ 120 Volts = 15 Amps
- Always consult local and national electric and gas codes.
- Make sure wall coverings around range can withstand heat generated by range.
- Linoleum or any other synthetic floor covering located beneath range, must be capable of withstanding minimum heat of 90°F above room temperature without shrinking, warping or discoloring. Insulating pad or 1/4"-thick plywood required between range and a carpeted floor.
- Do not obstruct flow of combustion air at oven vent nor around base or beneath lower front panel of range. Range requires fresh air for proper burner combustion.
- Do not install range beneath any downward-blowing, overhead vent hood or air curtain.
- Range ships with 3/4" factory regulator.
- Range is LP Gas convertible. (Optional LP Gas Conversion Kit available.)

- Floor beneath range MUST be solid and level.
- Overhead cabinetry should not exceed a 13" maximum depth.
- Absolute minimum horizontal distance between overhead cabinets installed to either side of appliance must be no less than maximum width of appliance.
- Range can be installed flush to wall with 0" minimum rear clearance.
- Minimum clearance required (from edge of rangetop to nearest combustible wall on either side of range above 36" height) is based on largest burner output rating on cooking surface.
- To reduce risk of fire when using overhead cabinetry, install range hood that projects horizontally a recommended minimum of 5" beyond bottom of cabinets.
- Follow all dimension requirements provided to prevent property damage, potential fire hazard, and incorrect countertop and cabinet cuts.

Note: For planning purposes only. Refer to Product Installation Guide on the web at frigidaire.com for detailed instructions.

Optional Accessories

- Griddle/Grill (2-sided) - (PN # 5304495353).
- LP Gas Conversion Kit - (PN# GRLP3).





Microwave

FPBM3077RF

30" Over-The-Range with Convection



Product Dimensions

Height	17-9/16"
Width	29-7/8"
Depth	16-1/16"

More Easy-To-Use Features

PowerPlus™ 4-Speed Fan

Over-the-range microwave doubles as a hood and offers 4 levels of ventilation depending on your needs — turbo, high, medium and low. The fan is capable of moving up to 400 cu. ft. of air per minute.

PowerBright™ Interior LED Light

See the power. See the results in action. LED interior microwave light stays on while your dish cooks.

Adjustable Timer

Now you can adjust the cooking time of your dish while it's cooking. The adjustable timer allows you to add or remove 5 seconds on the timer.

Available in:



Stainless
(F)

Signature Features



2-In-1 Convection Oven or Microwave

Bake more evenly with PowerPlus™ Convection or cook at microwave speed, all-in-one.



PowerBright™ Cooktop LED Light

Make meal preparation and cooking simple with LED lighting that offers a clear, bright view of your cooktop.



PowerSense™ Cooking Technology

Results you can trust. PowerSense™ Cooking Technology automatically senses ideal time and power levels.

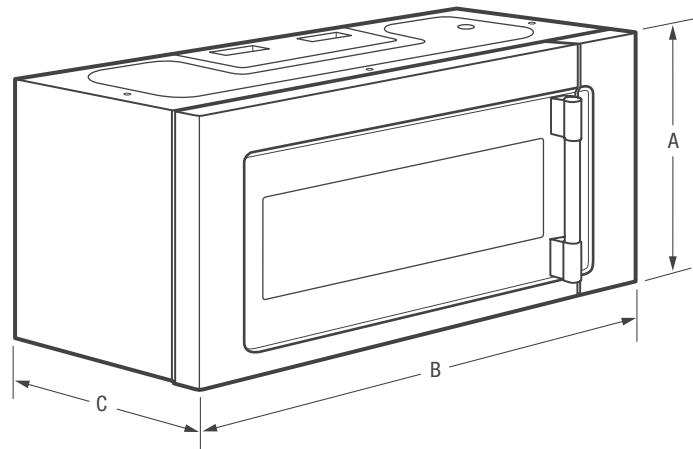


Smudge-Proof™ Stainless Steel

Resists fingerprints and cleans easily.

Features	
Control/ Timing System	Pro-Select*
Exterior Door Finish	Smudge-Proof™ Stainless Steel
Handle Design	Stainless Steel
Microwave Capacity (Cu.Ft.)	1.8
PowerPlus™ Convection	Yes
Watts (IEC-705 Test Procedure)	1,050
Interior LED Light	Yes
Interior Color	Stainless Steel
Turntable Diameter	14-3/16"
Turntable On/Off	Yes
Control Lock	Yes
Clock	Yes
Touch Pad Buttons	31
Power Levels	High (1-9)
Accessory Metal Rack	Yes (1)
Microwave Control Options	
Popcorn Button	Yes
Sensor Cook Button	Yes
Sensor Reheat Button	
Snack Button	Yes
Beverage	
Melt & Soften Options	4
Auto Reheat Options	5
Snack Menu Options	5
Auto Cook Options	9
Auto Defrost Options	3
Multi-Stage Cooking Option	Yes
Keep Warm	Yes
Add 30 Seconds	
Sensor Cooking Options	6
Sensor Reheat Options	5
Vegetable Cook Sensor	Yes
Delay Start	
User Preferences	Yes
Adjustable Timer	Yes
Ventilation System	
Ducted/Ductless Installation Option	Yes
Exhaust Fan (CFM)	4-Speed 170/400
Cooktop LED Light	2
Auto-Start Heat Sensor	Yes
Dishwasher-Safe Vent Filter (Ductless Installation)	Yes
Power Ratings	
Frequency (MHz)	2,450
Watts @ 120 Volts	1,071
Amps @ 120 Volts	14.3
Optional Accessories	
36" Stainless Steel Filler Panel Kit	PN# MWFILKTSS
Specifications	
Oven Interior (HxWxD)	9-15/16" x 21-1/4" x 14-23/32"
Power Supply Connection Location	Right Top Rear
Voltage Rating	120V / 60Hz / 15A
Connected Load (kW Rating) @ 120 Volts ¹	1.65
Minimum Circuit Required (Amps)	15
Shipping Weight (Approx.)	81 Lbs.

¹For use on adequately wired 120V, dedicated circuit having 2-wire service with a separate ground wire. Appliance must be grounded for safe operation.



NOTE: For planning purposes only. Always consult local and national electric codes. Refer to Product Installation Guide for detailed installation instructions on the web at frigidaire.com.



Product Dimensions		Cutout Dimensions	
A - Height	17-9/16"	Height (Min. from floor to top of unit)	66"
B - Width	29-7/8"	Width (Min.)	30"
C - Depth	16-1/16"	Depth (Min.)	12"
		Depth (Max.)	17"

Accessories information available on the web at frigidaire.com

FRIGIDAIRE

USA • 10200 David Taylor Drive • Charlotte, NC 28262 • 1-800-FRIGIDAIRE • frigidaire.com
 CANADA • 5855 Terry Fox Way • Mississauga, ON L5V 3E4 • 1-800-265-8352 • frigidaire.ca



Dishwasher

FPID2497RF

24" Built-In



Product Dimensions

Height (Adjustable)	33-3/4" - 35-3/4"
Width	24"
Depth (Including Door)	24-1/4"

More Easy-To-Use Features

PowerPlus™ Dry

Flawlessly finishes dishes so they are cabinet-ready.

PowerSense Technology™

Automatically adjusts the cycle time based on how much cleaning your dishes need.

PowerPlus™ Filtration System

A consistent, reliable clean with a removable stainless steel filter that prevents re-depositing of food particles.

Delicate-Care™ Soft Grips

Holds delicate dishes like glasses in place so they don't move around during the cleaning process.

Multiple Cycle Options

Features a variety of cleaning solutions like Sanitize to help kill germs, Rinse Only to keep food from sticking to plates, and PowerPlus™ Wash to clean crusty dishes with dried-on food.

PowerBright™ Floor Light

Alerts you to when dishes are complete with an LED light that beams on the floor.

Holds up to 14 Place Settings

Wash even more at once with large capacity racks that fit up to 14 place settings in a single load.

Stemware Holders and Fold-Down Tines

Switch between stemware holders and fold-down tines, fold-down tines to fit larger items like pots and pans and stemware holders for securing glasses.

Signature Features



PowerPlus™ 30-Minute Wash

Powerful clean, fast. Washes dishes in a quarter of the time¹.



PrecisionPro Wash Zones™

Target clean hard-to-reach areas of bottles and delicate stemware.



OrbitPower™ Wash Technology

Powerful clean, with 4 times better wash coverage².



Smudge-Proof™

Resists fingerprints and cleans easily.

ENERGY STAR®

NSF® International Certification



Available in:

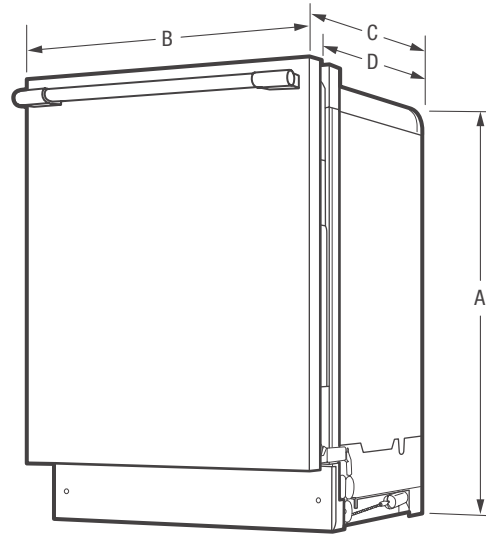


Stainless (F)

¹Compared to the normal cycle on 2014 Frigidaire® dishwasher models.

²Than a traditional lower spray arm.

Features	
Control Design	Fully-Integrated Pro-Select*
Digital Display	Yes
Door Latch/Stay-Put Door Hinge Design	Yes/Yes
Low Rinse-Aid Indicator Light	Yes
Interior Design/Interior Color	Tall Tub/Stainless Steel
Wash System	Direct Feed
Wash Arm	OrbitPower™
Wash Levels/Wash Speeds	5/Variable
PowerSense Technology™	Yes
AquaSurge™ Technology	Yes
Sound Package	SilentDesign™
Filter/Filter Trap	S. Steel/Removable
Soft Food Disposer	
dB Level	47
Drying System	PowerPlus™ Dry
Cycles	
Number of Cycles	7
PowerPlus™ (Heavy)	Yes
Normal	Yes
Light	
Quick Wash (30-Min.)	Yes
Favorite	Yes
China Crystal	Yes
Rinse Only	Yes
Energy Saver Plus	Yes
Upper Rack Wash Only	
Cycle Indicator Light/Control Lock	Yes/Yes
Cycle Complete Floor Beam Indicator	LED
Options	
Heat/No Heat Dry	Yes
Hi-Temp Wash	Yes
NSF® Certified Sanitize Rinse	Yes
Delay Start	1-24 Hour
Rack System	
Rack Design	Deluxe
Rack Coating	Nylon TufRacks™
SpaceWise® Upper Rack -	
Rack Handles	Yes
Delicate-Care™ Soft Grips	Yes
Fold-Down Tines	Yes
Cup Shelves/Stemware Grips	2/6
Versa-Tray™	
Adjustable Rack Height	Yes
Lower Rack -	
SpaceWise® Silverware Basket	3-Piece Split
Fold-Down Tines	2 Full Rows
Small Items Cover	3
Certifications	
ENERGY STAR®	Yes
NSF® International Certification	Yes
Specifications	
Water Inlet Location	Bottom Left
Water Usage (Gallons)	4.0 - 8.0
Water Pressure (PSI)	20 - 90
Integral Air Gap on Supply	Yes
Leveling Legs	3
Power Supply Connection Location	Right Bottom Front
Voltage Rating	120V / 60 Hz / 15A
Connected Load (kW Rating) @ 120 Volts¹	1.44
Amps @ 120 Volts	15
Shipping Weight (Approx.)	75 Lbs.



NOTE: For planning purposes only. Always consult local and national electric and plumbing codes. Refer to Product Installation Guide for detailed installation instructions on the web at frigidaire.com.



Product Dimensions	
A - Height (Adjustable)	33-3/4" - 35-3/4"
B - Width	24"
C - Depth (Including Door)	24-1/4"
D - Depth (To Tub Flange)	22-1/2"
Depth with Door Open 90°	50-1/4"

Cutout Dimensions	
Height (Min.)	34"
Height (Max.)	35-3/4"
Width (Min.)	24"
Depth (Min.)	24"

¹For use on adequately wired 120V, dedicated circuit having 2-wire service with a separate ground wire. Appliance must be grounded for safe operation.

Accessories information available on the web at frigidaire.com

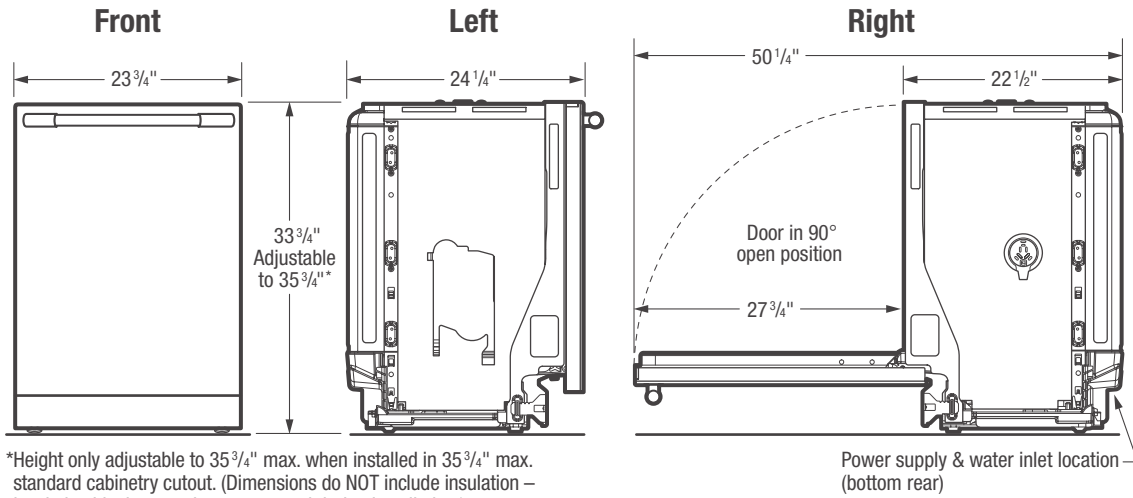
FRIGIDAIRE

USA • 10200 David Taylor Drive • Charlotte, NC 28262 • 1-800-FRIGIDAIRE • frigidaire.com
CANADA • 5855 Terry Fox Way • Mississauga, ON L5V 3E4 • 1-800-265-8352 • frigidaire.ca

FPID2497R 06/15

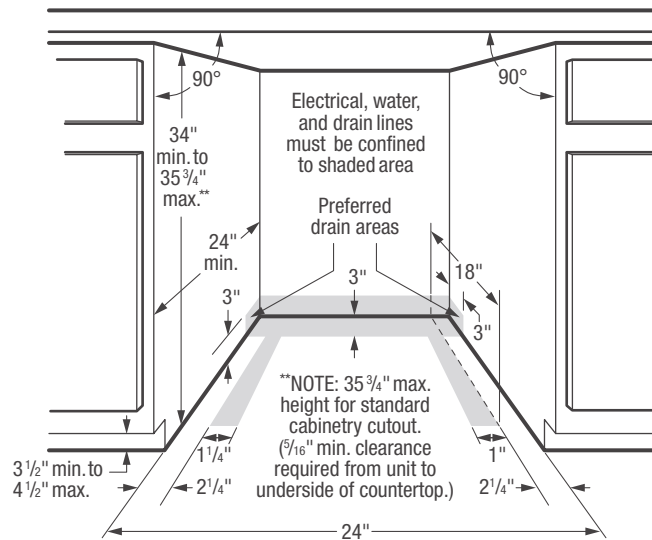
© 2015 Electrolux Home Products, Inc.

Specifications subject to change.



*Height only adjustable to 35 3/4" max. when installed in 35 3/4" max. standard cabinetry cutout. (Dimensions do NOT include insulation – insulation blanket may be compressed during installation.)

Power supply & water inlet location (bottom rear)



Dishwasher Specifications

- Product Shipping Weight (approx.) – 75 Lbs.
- Voltage Rating – 120V / 60 Hz / 15 Amps (maximum 20 Amps if connected with disposer)
- Connected Load (kW Rating) @ 120 Volts = 1.44 kW (For use on adequately wired 120V, dedicated circuit having 2-wire service with a separate ground wire. Appliance must be grounded for safe operation.)
- Amps @ 120V = 15 Amps
- Always consult local and national electric & plumbing codes. Meets requirements of ASSE 1006 – integral air gap on supply.
- Water Pressure – Hot water line to dishwasher must provide between 20 and 90 pounds per square inch (psi) with at least 120° F hot water temperature.
- Make sure location has correct drain, water and electrical outlets to make connections – MUST be confined to shaded areas.
- Electrical and water supplies should enter cabinet opening on floor, or through back or side walls, as shown in shaded areas.
- If connecting drain hose to sink trap, local code may require installation of Air Gap Kit (not included).
- Leveling legs supplied to adjust height. (Note: Height only adjustable to 35-3/4" max. when installed in 35-3/4" max. standard cabinetry cutout. 5/16" min. clearance required from top of unit to underside of countertop. Dimensions do NOT include insulation – insulation blanket may be compressed during installation.)
- When installing adjacent to wall, cabinet or other obstruction that extends beyond front edge of unit, allow 2" minimum clearance between opened door and obstruction.
- Floor should be flat and free of obstructions with carpet removed to provide motor clearance.
- When installing at end of cabinet line, sides and back must be fully enclosed.
- Do not install unit under a cooktop, damage will occur.
- Recommended to seal cabinets, enclosing all sides of dishwasher, including underside of countertop, with oil-based paint or moisture-proof polyurethane to prevent possible steam/moisture damage.

Note: For planning purposes only. Refer to Product Installation Guide on the web at frigidaire.com for detailed instructions.