

Frigidaire



Top Freezer Refrigerator

18.3 Cu. Ft. Top Freezer Refrigerator

FFHT1814WW, FFHT1814WB

Available Colors : White, Black

Version : 11/21

Refrigerator

| | |
|---------------------------------------|-------|
| Air Filter Ready | Yes |
| Crisper Color | Clear |
| Door Bin Color | White |
| Interior Lighting | LED |
| Shelf Material | Wire |
| Number of Adjustable Gallon Door Bins | 1 |
| Number of Fixed 2 Liter Door Bins | 2 |
| Number of Adjustable Shelves | 2 |
| Number of Crispers | 2 |

Freezer

| | |
|------------------------------|-------|
| Automatic Defrost | Yes |
| Door Bin Color | White |
| Shelf Material | Glass |
| Number of Fixed Door Bins | 2 |
| Number of Adjustable Shelves | 1 |

Ice Maker

| | |
|-----------------|-----|
| Ice Maker Ready | Yes |
|-----------------|-----|

Controls

| | |
|------------------|--------------------------|
| Control Location | Top Center of Fresh Food |
|------------------|--------------------------|

Exterior

| | |
|-------------|------------|
| Door Finish | Textured |
| Door Swing | Reversible |

Dimensions and Volume

| | |
|--------------------------|---------|
| Height With Hinge | 66 3/8" |
| Height Without Hinge | 65 7/8" |
| Width | 30" |
| Width of Cabinet | 30" |
| Depth of Cabinet | 26 5/8" |
| Depth With Door | 30 3/8" |
| Depth With Door 90° Open | 57" |

| | |
|----------------------------|--------------|
| Depth With Door and Handle | 30 3/8" |
| Freezer Capacity | 4.9 Cu. Ft. |
| Fresh Food Capacity | 13.4 Cu. Ft. |
| Total Capacity | 18.3 Cu. Ft. |

Electrical Specifications

| | |
|--------------------------|---------|
| Amps @ 120 Volts | 3 Amps |
| Minimum Circuit Required | 15 Amps |

General Specifications

| | |
|------------------|---------|
| Annual Energy | 369 kWh |
| Refrigerant Type | R-600A |
| Warranty - Labor | 1 Year |
| Warranty - Parts | 1 Year |

Certifications and Approvals

| | |
|---------------|-----|
| ADA Compliant | Yes |
|---------------|-----|

Performance Certifications and Approvals

| | |
|-----------------------|-----|
| ENERGY STAR Certified | Yes |
|-----------------------|-----|

Safety Certifications and Approvals

| | |
|-----------|-----|
| UL Listed | Yes |
|-----------|-----|

Note: For planning purposes only. Always consult local and national electric, gas and plumbing codes.

Refer to Product Installation Guide for detailed installation instructions on the web at frigidaire.com / frigidaire.ca

Specifications subject to change. Accessories information available on the web at frigidaire.com / frigidaire.ca

USA • 10200 David Taylor Drive • Charlotte, NC 28262 • 1-800-FRIGIDAIRE • frigidaire.com

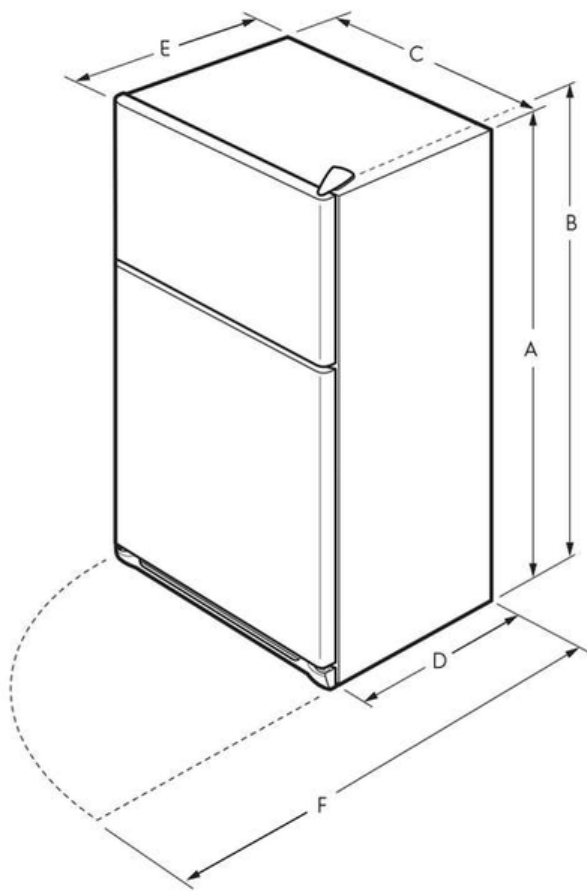
CANADA • 5855 Terry Fox Way • Mississauga, ON L5V 3E4 • 1-800-265-8352 • frigidaire.ca

Frigidaire

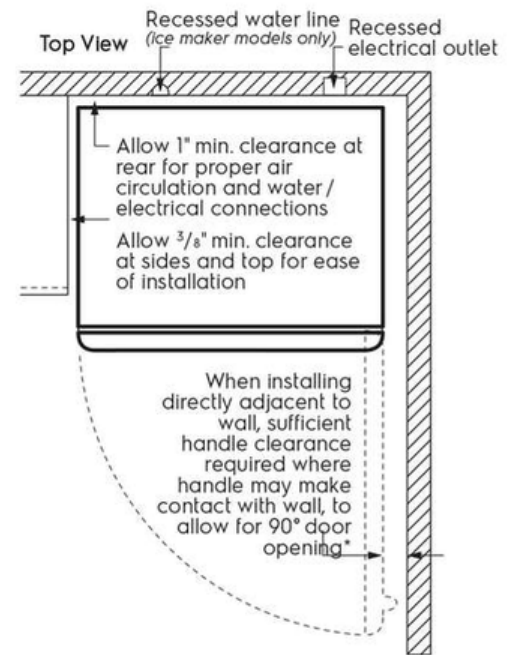
18.3 Cu. Ft. Top Freezer Refrigerator

FFHT1814WW, FFHT1814WB

Version : 11/21



| | |
|---|----------------------------------|
| A | 65 ⁷ / ₈ " |
| B | 66 ³ / ₈ " |
| C | 30" |
| D | 26 ⁵ / ₈ " |
| E | 30 ³ / ₈ " |
| F | 57" |



* When installing refrigerator adjacent to wall, cabinet or other appliance that extends beyond front edge of unit, 20" minimum clearance recommended to allow for optimum 140° door swing, providing complete crisper access and removal. (Absolute 3" minimum clearance will ONLY allow for 90° door swing which will provide limited crisper access with restricted removal.)

Note: For planning purposes only. Always consult local and national electric, gas and plumbing codes.

Refer to Product Installation Guide for detailed installation instructions on the web at frigidaire.com / frigidaire.ca

Specifications subject to change. Accessories information available on the web at frigidaire.com / frigidaire.ca

USA • 10200 David Taylor Drive • Charlotte, NC 28262 • 1-800-FRIGIDAIRE • frigidaire.com

CANADA • 5855 Terry Fox Way • Mississauga, ON L5V 3E4 • 1-800-265-8352 • frigidaire.ca