

## FFET1022U V/W/B

### APARTMENT REFRIGERATOR

**FROST FREE**  
**10.1 CU. FT. TOP MOUNT**



#### AVAILABLE COLORS



Brushed  
Steel



White



Black



### SIGNATURE FEATURES

#### ENERGY STAR®- Certified

Maximize your energy and dollar savings with ENERGY STAR®-Certified Appliances.

#### SpaceWise® Glass Shelving

Easily adjust shelves up and down to create more space for taller items.

#### Store-More™ Humidity-Controlled Crisper Drawers

Keep your fruits and vegetables fresh in our humidity-controlled crisper drawers.

#### Store-More™ Door Bins with Gallon Storage

Clear refrigerator door bins offer additional storage and organization, with gallon door bin that provides convenient storage for larger containers.

#### PRODUCT DIMENSIONS

Height (Incl. Door Hinge)	59-7/8"
Width	23-3/4"
Depth (Incl. Door)	26"
Depth with Door Open 90°	48"

#### MORE EASY-TO-USE FEATURES

##### Bright LED Lighting

Find food faster with bright LED lighting.

##### Reversible Door-Swing Option

Door can be installed to open left or right, based on your needs.

##### Frost-Free

Never defrost your refrigerator or freezer again.

##### Smudge-Resistant Finish with Stainless Steel Look

Resists fingerprints and cleans easily.

##### Hidden Door Hinge

Hidden door hinge offers a seamless look.

##### Ready-Select® Electronic Temperature Controls

Easily select options with the touch of a button, enabling more precise temperature control than a knob.

#### CERTIFICATIONS

##### A.D.A.- Compliant

With accessible shelving, and controls that are positioned within arm's reach and allow one-hand operation, our top-freezer refrigerator is A.D.A.-Compliant.



##### ENERGY STAR®



# FFET1022U V/W/B APARTMENT REFRIGERATOR

10.1 CU. FT. TOP MOUNT

FRIGIDAIRE

## FEATURES

Cubic Feet (Cu.Ft.)	10.1
Defrost	Frost-Free
<b>Exterior -</b>	
Door Color	Color-Coordinated
Cabinet Color	Color-Coordinated
Door Handle	Integrated
Door Stops	Yes
Reversible Door	Yes
<b>Interior -</b>	
Controls	Ready-Select®
Lighting	LED
Refrigerator Shelves	2 SpaceWise® Adjustable Glass / 1 Fixed Glass
Store-More™ Crisper Drawers	2 Clear
Humidity Controls	Yes
Door Bins	1 Clear Fixed Full-Width / 1 Clear Fixed Full-Width Gallon
Freezer Door Bins	2 Clear Fixed Full-Width

## CERTIFICATIONS

A.D.A.-Compliant <sup>1</sup>	Yes
ENERGY STAR®-Certified	Yes

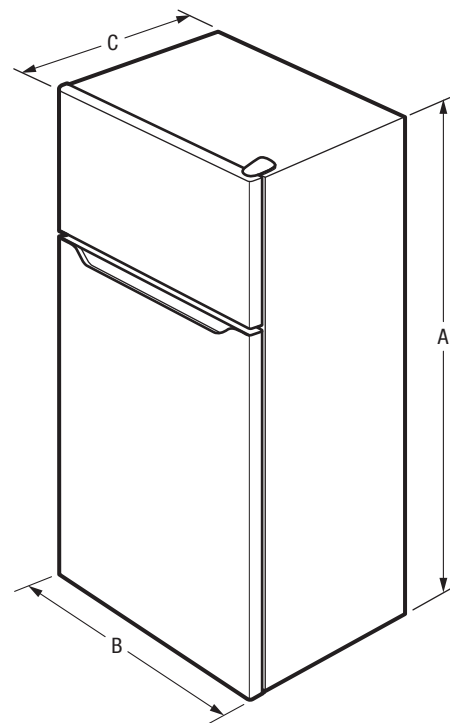
## SPECIFICATIONS

Total Capacity (Cu.Ft.)	10.1
Refrigerator Capacity (Cu.Ft.)	7.4
Freezer Capacity (Cu.Ft.)	2.7
Power Supply Connection Location	Right Bottom Rear
Voltage Rating	115V / 60Hz
Amps @ 115V	6
Minimum Circuit Required (Amps)	15
Shipping Weight (Approx.)	131 Lbs.
Installation Type	Freestanding

<sup>1</sup>When properly installed, this model is A.D.A.-qualified based on the Uniform Federal Accessibility Standards, the United States Access Board's A.D.A./A.B.A. Accessibility Guidelines, and the Department of Justice's 2010 A.D.A. Standards for Accessible Design, exclusive of the auxiliary airflow adjustment mechanism in the freezer, which is factory pre-set for optimal energy performance.

## PRODUCT DIMENSIONS

A - Height (Incl. Door Hinge)	59-7/8"
B - Width	23-3/4"
C - Depth (Incl. Door)	26"
Depth with Door Open 90°	48"



**Note:** For planning purposes only. Always consult local and national electric, gas and plumbing codes. Refer to Product Installation Guide for detailed installation instructions on the web at [frigidaire.com](http://frigidaire.com).

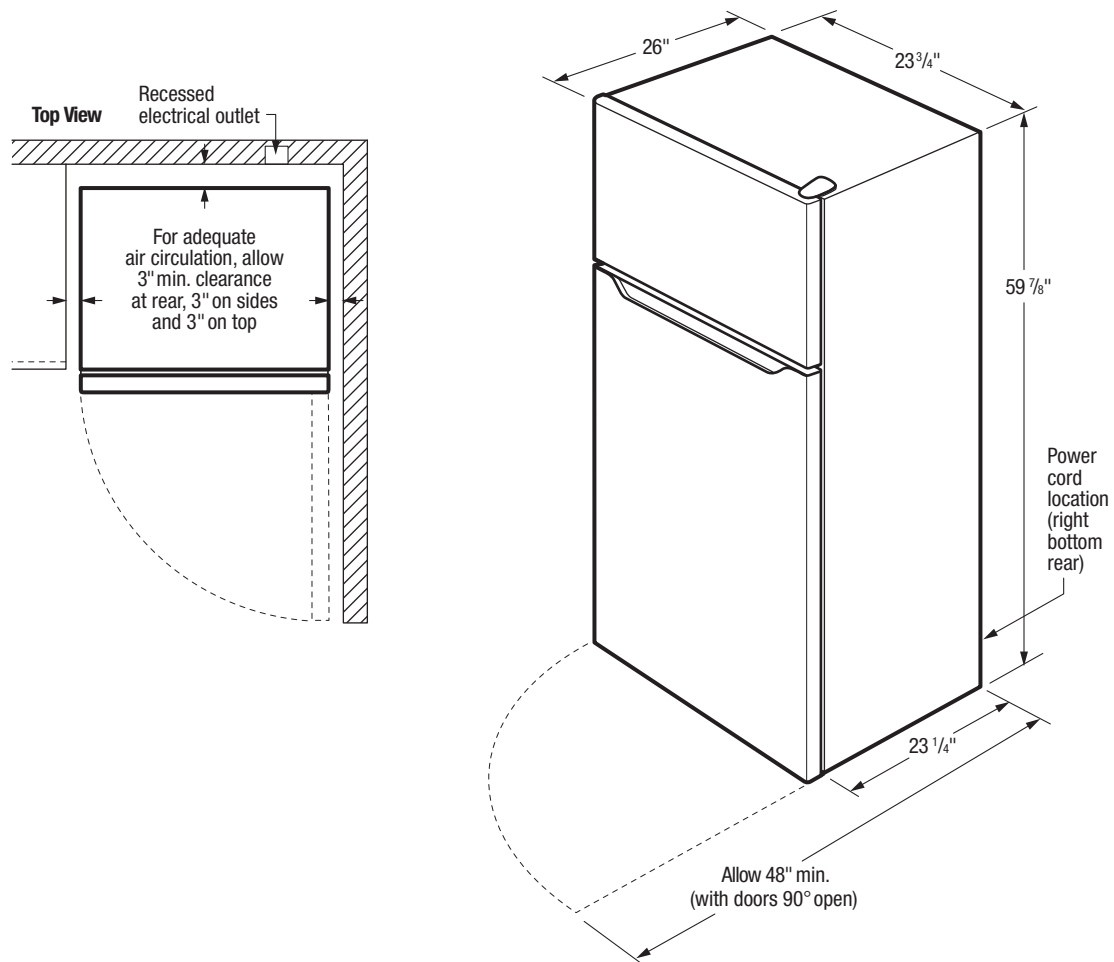
Specifications subject to change. Accessories information available on the web at [frigidaire.com](http://frigidaire.com)

FRIGIDAIRE

USA • 10200 David Taylor Drive • Charlotte, NC 28262 • 1-800-FRIGIDAIRE • [frigidaire.com](http://frigidaire.com)  
CANADA • 5855 Terry Fox Way • Mississauga, ON L5V 3E4 • 1-800-265-8352 • [frigidaire.ca](http://frigidaire.ca)



FFET1022U08/18  
© 2018 Electrolux Home Products, Inc.



## INSTALLATION SPECIFICATIONS

- Product Shipping Weight (approx.) – 131 Lbs.
- Voltage Rating – 115V/60 Hz/15 Amps
- Always consult local and national electric codes.
- For adequate air circulation, allow 3" minimum clearance at rear, 3" on sides and 3" on top.
- Locate where surrounding air temperature will not exceed 110 °F or drop below 50 °F, to ensure optimum performance.
- All bottom corners of unit MUST rest firmly on solid level surface of hard material, same height as flooring. Surface must be strong and stable enough to support unit when fully loaded.
- Equipped with adjustable leveling legs to ensure unit is level, which is required in order to function properly.



FRIGIDAIRE

USA • 10200 David Taylor Drive • Charlotte, NC 28262 • 1-800-FRIGIDAIRE • [frigidaire.com](http://frigidaire.com)  
CANADA • 5855 Terry Fox Way • Mississauga, ON L5V 3E4 • 1-800-265-8352 • [frigidaire.ca](http://frigidaire.ca)

*Note: For planning purposes only. Always consult local and national electric, gas and plumbing codes. Refer to Product Installation Guide for detailed installation instructions on the web at [frigidaire.com](http://frigidaire.com).*

*Specifications subject to change. Accessories information available on the web at [frigidaire.com](http://frigidaire.com)*

FFET1022U08/18

© 2018 Electrolux Home Products, Inc.