

FDPC4221AB
FDPC4221AS
FDPC4221AW

Dishwasher

Available Colors : Black, Stainless Steel, White

24" Built-In Dishwasher

Version : 06/20



Product Specifications

Electrical Specifications

| | |
|---------------------|--------------------|
| Amps @ 120 Volts | 10.0 |
| Connection Location | Front Right Bottom |
| Voltage Rating | 120V 60Hz |

Dishwasher

| | |
|----------------------------|-----------------------------------|
| Capacity | 12 |
| Drying System | Static Dry |
| Filter | Plastic |
| Filter Trap | Removable |
| Filtered Water (%) | 100 |
| Food Disposer | Stainless Steel |
| Hard Food Disposer | Hard Food Disposer and Filtration |
| Integral Air Gap on Supply | Yes |
| Interior | Plastic Tub |
| Multi Speeds | No |
| Rinse Aid Dispenser | Adjustable with Indicator |
| Rinse Aid Indicator | On Detergent Dispenser |
| Smart Soil Sensor | No |
| Tub Design | Tall Tub Design |
| Wash Levels | 5 |
| Wash System | Direct Feed |
| Water Pressure - PSI | 20 - 120 |
| Water Usage (Gallons) | 5 Gallons Max |

Dishwasher: Cycles

| | |
|------------------|-----|
| Heavy | Yes |
| Normal | Yes |
| Number of Cycles | 2 |

General Specifications

| | |
|------------------------|-------------|
| Energy Efficiency Tier | Tier 1 |
| Leveling Legs | 4 |
| Product Weight (lbs) | 56 |
| Prop 65 Label | Yes |
| Reconditioned | No |
| Shipping Weight (lbs) | 62 |
| Sound Level (dBA) | 62 |
| Sound Package | No |
| Water Inlet Location | Bottom Left |

Controls

| | |
|---------------------|--------------|
| Control Lock | Yes |
| Control Type | GEM K4 Tower |
| Delay Start - hours | No |
| Digital Display | No |

Dishwasher: Rack Upper

| | |
|------------------|----|
| Height Clearance | 8" |
|------------------|----|

Dimensions: Exterior

| | |
|-------------------------|---------|
| Depth | 25" |
| Depth(w/ 90° Door Open) | 49 1/4" |
| Height | 35" |
| Height (Min) | 33 1/2" |
| Width | 24" |

Exterior

| | |
|------------|---------|
| Door Latch | Squeeze |
| Door Type | Janet |

Dishwasher: Rack Lower

| | |
|-------------------|---------------------|
| Height Clearance | 11" - 13" |
| Silverware Basket | Generic - A05493201 |

Dishwasher: Options

| | |
|------------------|-----|
| Heat/No Heat Dry | Yes |
| NSF® Certified | No |

Dishwasher: Rack System

| | |
|--------------|------------|
| Rack Coating | PVC - Grey |
|--------------|------------|

Certifications & Approvals

| | |
|----------------------------|---------------|
| ADA Compliant - All Brands | No |
| ENERGY STAR® Certified | No |
| Meets ASSE 1006 Reqs | Yes |
| NSF® Certified | No |
| UL Listed | 1 - UL Listed |

Note: For planning purposes only. Always consult local and national electric, gas and plumbing codes. Refer to Product Installation Guide for detailed installation instructions on the web at [frigidaire.com / frigidaire.ca](http://frigidaire.com/frigidaire.ca). Specifications subject to change. Accessories information available on the web at frigidaire.com / frigidaire.ca

FDPC4221AB
 FDPC4221AS
 FDPC4221AW

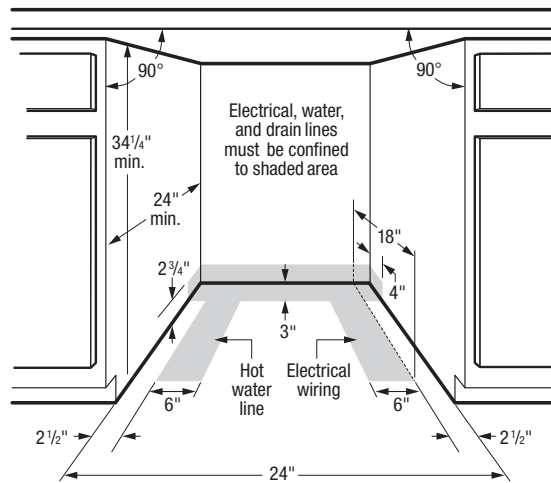
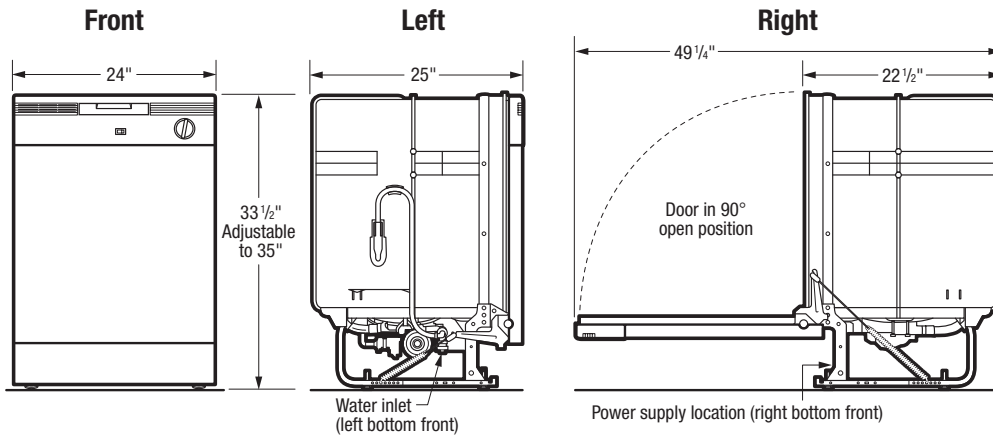
Dishwasher

Available Colors : Black, Stainless Steel, White

24" Built-In Dishwasher

Version : 06/20

Installation Drawing



Note: For planning purposes only. Always consult local and national electric, gas and plumbing codes. Refer to Product Installation Guide for detailed installation instructions on the web at [frigidaire.com / frigidaire.ca](http://frigidaire.com/frigidaire.ca). Specifications subject to change. Accessories information available on the web at frigidaire.com / frigidaire.ca