

FCRG3051AS

Available Colors : Stainless Steel

Version : 08/19

Gas Ranges

30" Gas Range



Product Specifications

Electrical Specifications

Power Supply Connection Location	Rear Centerline Lower
Minimum Circuit Required (Amps)	5A
Voltage Rating	120V 60Hz

Certifications & Approvals

ADA Compliant	No
Agency Approval	CSA Certified
Sabbath Mode	No

Exterior Dimensions

Depth	25 - 3/4"
Height	47"
Width	29-7/8"

Drawer

Drawer Functionality	Storage
Handle	Integrated

General Specifications

Leveling Legs	4 Adjustable
PROP 65 Label	Yes

Cooking Controls

Bake	Yes
Broil	Yes
Cancel Button	No
Lockout	No
Lower Drawer Controls	No
Self-Clean	No
Probe	No
Timed Bake	No
Timer	Yes
Timed Shut-off	No

Oven Specifications

Bake	18000 BTU
Baking System	Even Baking Technology
Oven 1 Broil	1400 Watts
Oven 1 Broiling System	Vari-Broil™ High/Low
Oven 1 Cleaning System	Manual Clean
Oven 1 Interior Lighting	1 Incandescent
Oven 1 Interior Depth	19-1/8"
Oven 1 Interior Height	18-5/8"
Oven 1 Interior Width	24-3/8"
Oven 1 Rack Configuration	2 Standard
Oven 1 Rack Positions	6 positions
Total Capacity - Cu. Ft.	5.0
Oven 1 Type	Main
Oven 1 Window	Extra-Large Visualite®

Cooktop

Cooking Surface	Sealed Burners
Grate Color	Black Matte
Grate Material	Cast Iron
Grates	3 Continuous Grates
Knob Type	Color Coordinated
Left Front	9500 BTU
Left Rear	12000 BTU
Right Front	16000 BTU
Right Rear	5000 BTU

Finish

Control Panel Finish	Color Coordinated
Cooktop Finish	Color Coordinated
Door Finish	Color Coordinated
Drawer Finish	Color Coordinated
Exterior Finish	Color Coordinated
Manifold Panel	Color Coordinated

Note: For planning purposes only. Always consult local and national electric, gas and plumbing codes. Refer to Product Installation Guide for detailed installation instructions on the web at frigidaire.com/frigidaire.ca. Specifications subject to change. Accessories information available on the web at frigidaire.com/frigidaire.ca

FCRG3051AS

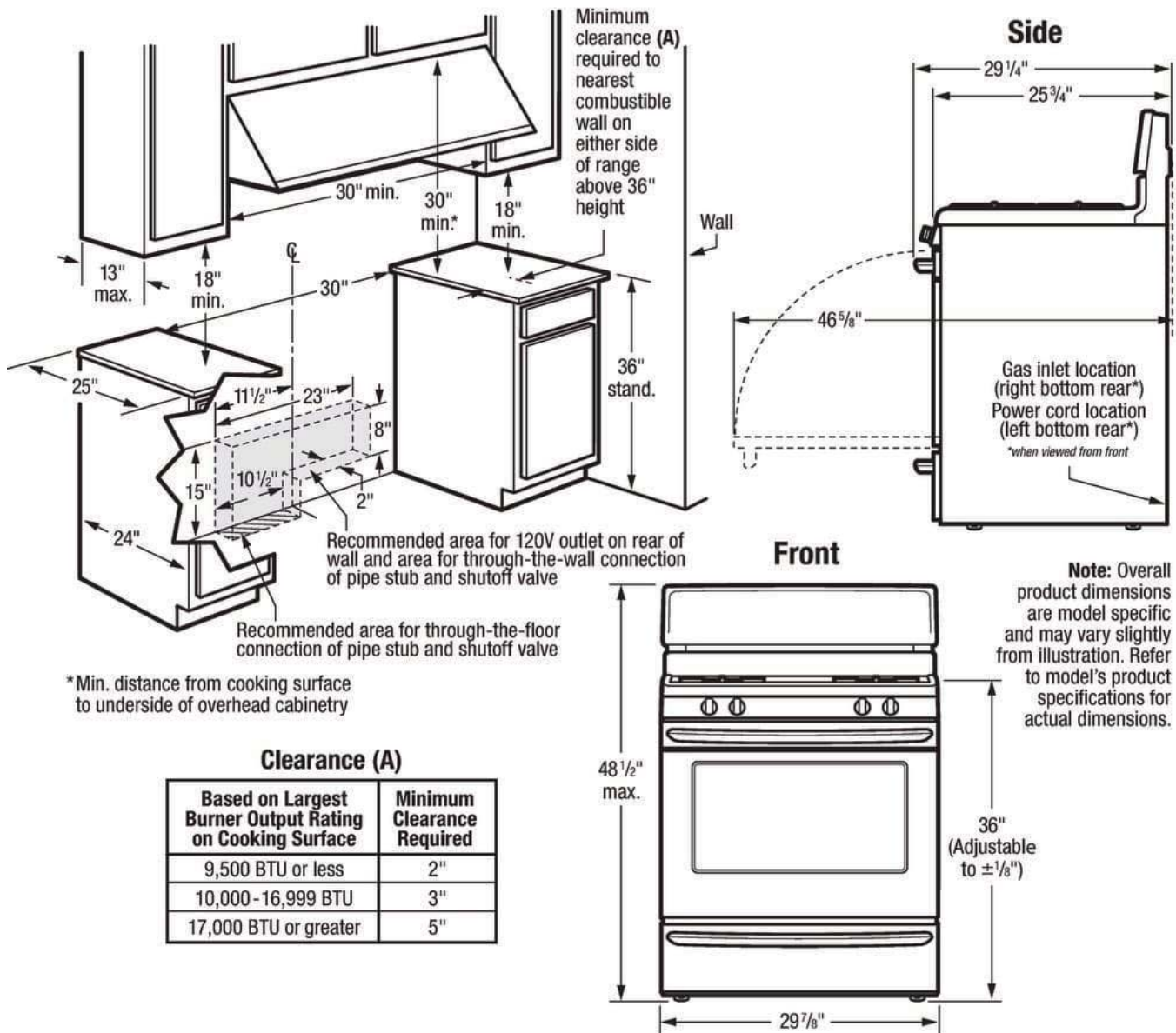
Available Colors : Stainless Steel

Version : 08/19

Gas Ranges

30" Gas Range

Installation Drawing



Clearance (A)

Based on Largest Burner Output Rating on Cooking Surface	Minimum Clearance Required
9,500 BTU or less	2"
10,000 - 16,999 BTU	3"
17,000 BTU or greater	5"

Note: For planning purposes only. Always consult local and national electric, gas and plumbing codes. Refer to Product Installation Guide for detailed installation instructions on the web at frigidaire.com/frigidaire.ca. Specifications subject to change. Accessories information available on the web at frigidaire.com/frigidaire.ca.