



Friedrich Kühl® Series Room Air Conditioners



KCS, KCM, KCL, KHS, KHM, KHL, KES, KEM, KEL



KCQ, KEQ

FEATURES

- Control with **FriedrichConnect®** app or by voice command
- Customizable, 7-day schedules
- Advanced grouping of multiple units
- 24-hour timer
- Up to 4 cooling/4 fan-only speeds
- Auto fan
- Auto-changeover between cooling and heating (**Kühl®+** models except KEQ08)
- Auto restart
- 8-way air flow control
- Control panel lockout (ON/OFF)
- **QuietMaster®** technology for up to 45% quieter operation**
- Steel inner wall and extra dense insulation blocks outdoor noise
- Vibration isolating design and components reduce operating noise
- **FreshAire®** IAQ ready- optional MERV 13 filter captures particles down to 1 micron in size
- Fresh air intake/stale air exhaust vent*
- Washable air filter
- Carbon filter absorbs odors and reduces ozone and volatile organic compounds (VOCs)
- Standard dual filtration provides air filtration as high as MERV 6
- Check filter reminder
- Robust 20 gauge steel cabinet
- Solid-steel blower housing offers enhanced protection
- Totally enclosed commercial grade fan motor
- Durable base pan and steel inner walls
- Aluminum end plates
- High-tech aluminum fins with rifled copper tubing
- **Kühl®+** heat pumps provide energy efficient cooling and heating
- Temperature limiting for maximum low and high temperature settings
- Recyclable packaging

COOL ONLY

115 volt- 6,000 to 13,600 Btu
230 volt- 12,000 to 35,000 Btu
EFFICIENCY: EERs up to 12.2

HEAT PUMPS

115 volt- 10,000 Btu COOLING
8,800 Btu HEATING
230 volt- 24,000 Btu COOLING
9,800-21,000 Btu HEATING
EFFICIENCY: EERs up to 10.9

ELECTRIC HEAT MODELS

115 volt- 7,700 Btu COOLING
4,000 Btu HEATING
230 volt- 12,000 to 35,000 Btu COOLING
10,700 to 17,300 Btu HEATING
EFFICIENCY: EERs up to 11.1



*Feature not available on KCQ and KEQ models

**Based on testing conducted at the Friedrich Design and Development Center in comparison to leading rotary compressor models



ACCESSORIES

FreshAir® IAQ

MERV 13 FILTER / FILTER BRACKETS

FreshAir MERV 13 filtration is effective at capturing and removing microorganisms from the air, which according to ASHRAE*, the leading authority on the science behind advanced indoor air quality, include harmful airborne viruses. Maintaining the best indoor air quality possible requires that you prevent harmful pollutants from circulating throughout the space. One way to prevent this is to trap the pollutants with mechanical filtration. Kühl® is the only window air conditioner that can utilize an optional MERV 13 air filter, which is at least 85% efficient at capturing particles between 1 and 3 microns in size and up to 50% efficient in filtering particles between 0.30 and 1 micron in size such as bacteria and sneeze nuclei.

*Based on ASHRAE Guidance for Building Operations During the COVID-19 Pandemic

Model No.	UPC	Description
KMFB1PK	724587440553	Kühl MERV filter bracket 1 pack
KMFBQ1PK	724587440546	Kühl Q MERV filter bracket 1 pack
KMFQ3PK	724587440560	Kühl MERV filter - Q chassis 3 pack
KMFS3PK	724587440577	Kühl MERV filter - S chassis 3 pack
KMFM3PK	724587440584	Kühl MERV filter - M chassis 3 pack
KMFL3PK	724587440591	Kühl MERV filter - L chassis 3 pack



Filter bracket required for MERV 13 filter installation.
Minimum bracket order of 24.
Minimum filter order quantity of eight.

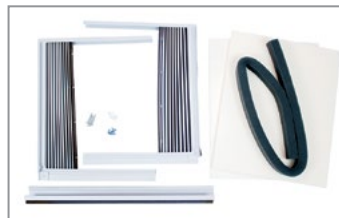
WINDOW MOUNTING KITS*: KÜHL+

Window kits are included with cooling only models, but are an accessory item for Kühl+ heat/cool models.

*Window kits are required for installation of Kühl+ models in a window.

Heat/Cool Models	Kit No.
KEQ08A11A*	KWIKQA
KES12A33A, KES16A33A, KHS10A10A and KHS12A33A.	KWIKSB
KEM18A34A and KHM18A34A.	KWIKMB
KEL24A35B, KEL36A35A and KHL24A35A.	KWIKLB

* KEQ08A11A window kit KWIKQA does not include window brackets.



KWIKQA



KWIKSB, KWIKMB, KWIKLB

DRAIN KIT

Allows field installed drain tube to be installed to the bottom of the sleeve to route the condensate from the unit.

Model	Kit No.
All Kühl Series Models	DC2



PREMIUM CARBON FILTERS

Remove odors and VOCs (volatile organic compounds).
Achieve up to a MERV 6 rating when used with standard filter.
3 pack

Model	Kit No.
KCQ and KEQ	KWCFQ
KCS, KES and KHS	KWCFB
KCM, KEM and KHM	KWCFM
KCL, KEL and KHL	KWCFL



SPECIFICATIONS

Model	UPC	Cooling Btu	Heating Btu	Volts	Cooling Amps	Cooling Watts	Heating Amps	Heating Watts	EER	CEER	Estimated Yearly Energy Cost	COP	Moisture Removal-Pints/HR	CFM	Net/ship Wt. lbs.	Sleeve
Kühl® (Cool Only)																
★ KCQ06A10A	724587437102	6000	–	115	4.8	492	–	–	12.2	12.1	\$48	–	1.5	190	72/85	Q
★ KCQ08A10A	724587436570	8000	–	115	6.5	661	–	–	12.1	12.0	\$65	–	2.1	200	72/85	
KCQ10A10B	724587436587	9500	–	115	8.6	864	–	–	11.0	10.9	\$85	–	3.2	250	72/85	
★ KCS08A10A	724587436631	8000	–	115	6.5	661	–	–	12.1	12.0	\$65	–	1.9	255	106/128	S
★ KCS10A10A	724587436501	10000	–	115	8.5	826	–	–	12.1	12.0	\$81	–	2.9	300	112/134	
★ KCS12A10A	724587436891	12000	–	115	9.5	1000	–	–	12.0	12.0	\$98	–	3.5	300	112/134	
★ KCS12A30A	724587436907	12000	–	230	4.8	992	–	–	12.1	12.0	\$97	–	3.5	300	116/138	
KCS14A10A	724587436686	13600	–	115	11.8	1236	–	–	11.0	10.9	\$121	–	4.3	275	141/154	
KCS16A30A	724587436648	15700	–	230	6.6	1454	–	–	10.8	10.7	\$142	–	5.0	330	141/154	
★ KCM14A10A	724587436525	13600	–	115	10.9	1140	–	–	12.1	12.0	\$112	–	3.0	360	138/150	M
★ KCM18A30A	724587436617	20000	–	230	9.6	1923	–	–	10.4	10.3	\$188	–	6.0	425	132/153	
★ KCM21A30A	724587436624	21500	–	230	9.6	2067	–	–	10.4	10.3	\$202	–	6.0	425	132/153	
★ KCL24A30B	724587439939	23000	–	230	11.1	2308	–	–	10.4	10.3	\$225	–	7.5	640	191/212	L
★ KCL28A30A	724587436549	28000	–	230	13.4	2800	–	–	10.0	9.9	\$273	–	9.3	640	193/214	
KCL36A30A	724587437119	35000	–	230	18.2	3846	–	–	9.1	9.0	\$376	–	11.0	725	212/248	
Kühl® + (Heat Pump)																
★ KHS10A10A*	724587436518	10000	8800	115	8.8	917	9.1	978	10.9	10.8	\$90	2.6	2.0	300	109/131	S
★ KHS12A33A	724587437133	12000	9800	230	5.0	1101	4.7	1257	10.9	10.8	\$108	2.9	3.0	375	115/136	
★ KHM18A34A	724587437140	17500	14900	230	7.4	1606	7.4	1568	10.9	10.8	\$157	2.8	5.6	450	141/154	M
★ KHL24A35A	724587436563	24000	21000	230	11.1	2330	10.3	2211	10.3	10.2	\$228	2.8	7.0	600	197/211	L
Kühl® + (Electric Heat)																
KEQ08A11A	724587436594	7700	4000	115	6.4	694	11.2	1290	11.1	11.0	\$68	–	2.1	200	72/85	Q
KES12A33A	724587436914	12000	10700	230	4.9	1091	16.0	3500	11.0	10.9	\$107	–	3.6	325	113/128	S
KES16A33A	724587436679	15700	10700	230	6.6	1454	16.0	3500	10.8	10.7	\$142	–	3.4	300	138/150	
KEM18A34A	724587436921	20000	13000	230	9.6	1923	19.5	4200	10.4	10.3	\$188	–	6.0	425	141/154	M
KEL24A35B	724587431612	23000	17300	230	11.1	2308	24.0	5500	10.4	10.3	\$225	–	7.0	750	197/211	L
KEL36A35A	724587437126	35000	17300	230	18.2	3846	24.0	5500	9.1	9.0	\$376	–	11.0	725	213/246	

* KHS10A10A heat pump operates on 115 volt and is not equipped with supplemental heat. Will not provide heat at temperatures below 40°F.

Friedrich room air conditioners are designed to operate in outdoor temperatures from 60°F to 115°F.

Kühl+ Heat Pump heating information indicates heat pump performance. Kühl+ Electric Heat heating information indicates electric heat strip performance.

For Kühl+ Heat Pump electric heating performance refer to corresponding Kühl+ Electric Heat model.

Your energy costs will depend on your utility rates and use. The estimated energy cost is based on an electricity cost of \$.13 per kWh.

For more information, visit www.ftc.gov/energy.

Due to continuing research in new energy-saving technology, specifications are subject to change without notice.

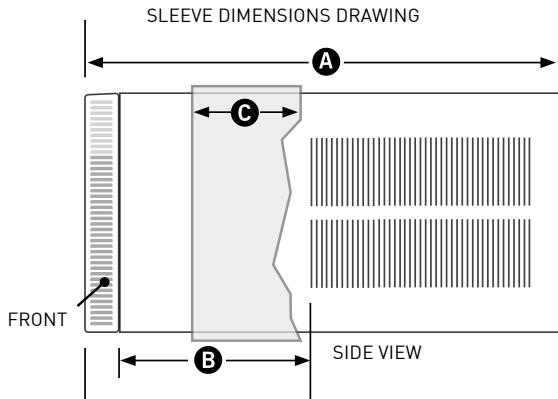
INSTALLATION

Sleeve	Height Inches	Width Inches	Depth with Front Inches A	Shell Depth to Louvers Inches B	Minimum Extension Into Room* Inches	Minimum Extension Outside * Inches	WINDOW INSTALLATION		THRU-WALL INSTALLATION			Carton Dimensions Inches		
							Window Width Inches		Thru-the-wall Installation Finished Hole Inches			Inches		
							Minimum**	Maximum	Height	Width	Max. Depth C	Height	Width	Depth
Q	14 1/4"	19 3/4"	21 3/8"	8 1/2"	5 1/2"	10 3/4"	22"	42"	14 1/2"	20"	8 1/2"	18 3/4"	22"	25 1/2"
S	15 15/16"	25 15/16"	29"	8 3/4"	5 3/4"	16 15/16"	27 3/8"	42"	16 3/16"	26 3/16"	7 3/8"	19"	29"	34 1/2"
M	17 15/16"	25 15/16"	29"	8 3/4"	5 3/4"	16 15/16"	27 3/8"	42"	18 3/16"	26 3/16"	7 3/8"	21"	29"	34 1/2"
L	20 3/16"	28"	35 1/2"	16 1/2"	5 3/8"	18 15/16"	29 7/8"	42"	20 3/8"	28 1/4"	15 1/8"	24 1/2"	31 5/8"	38 7/8"

* Minimum extensions when mounted in a window.

** Minimum widths achieved using one side curtain assembly as opposed to both in a standard installation.

NOTE: S, M and L sleeves may be installed in window with no side kits if properly installed.



CIRCUIT RATING/BREAKER/POWER CORD

Model	Circuit Rating Breaker or T-D Fuse	Plug Face (NEMA#)	Power Cord Length (ft.)	Wall Outlet Appearance
All KCQ MODELS. KEQ08A11A. KCS08A10A, KCS10A10A, KCS12A10A and KCS14A10A. KHS10A10A. KCM14A10A.	125V - 15A	5 - 15P	6	
KCS12A30A and KCS16A30A. KCM18A30A and KCM21A30A.	250V - 15A	6 - 15P	6	
KCL24A30B and KCL28A30A. KES12A33A and KES16A33A. KHS12A33A.	250V - 20A	6 - 20P	6	
KCL36A30A. KEM18A34A and KEL24A35B and KEL36A35A. KHM18A34A and KHL24A35A.	250V - 30A	6 - 30P	6	



Friedrich Air Conditioning Co. | www.friedrich.com