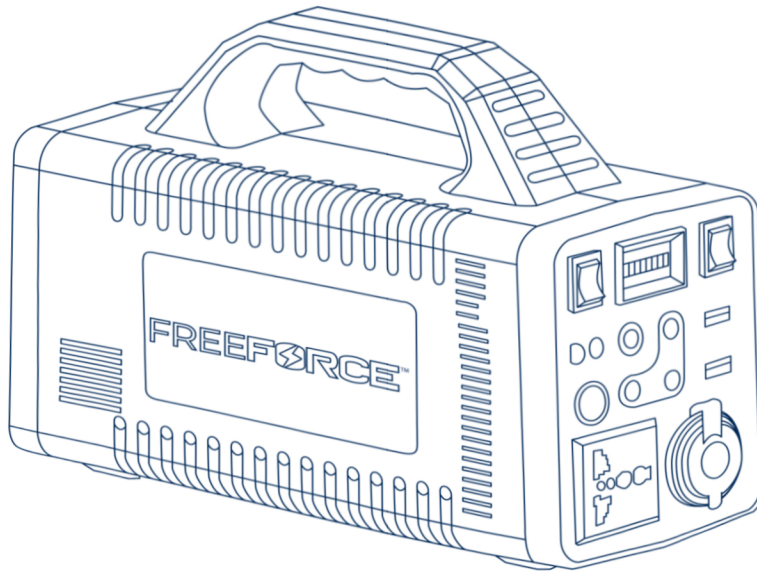


FREEFORCE™

ULTRALITE 600

ULTRALITE PORTABLE POWER STATION



USER MANUAL

- What's in the Box
- How to Charge
- Features
- Technical Specifications
- Warranty Information
- Contact Information



Charge Me!

Begin charging your FreeForce Ultralite 600 by connecting it to the power supply provided.

The purpose of this manual is to help you use your product to its full capability! Please contact us directly if you have further questions about your FreeForce product here:

 hi@freeforcepower.com

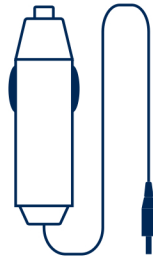
 888-984-2762

 www.freeforcepower.com

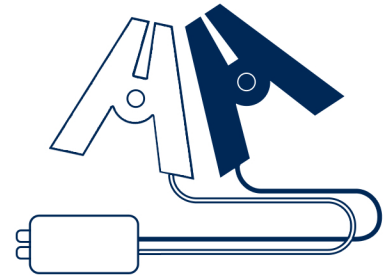
WHAT'S IN THE BOX



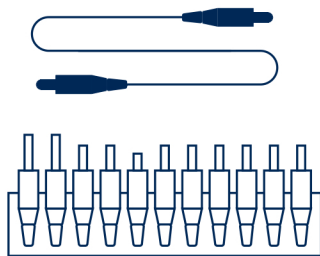
Freeforce Ultralite 600



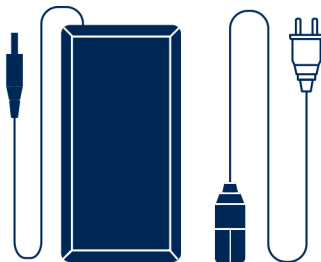
**Car Charging Adaptor
& 47" Cable**



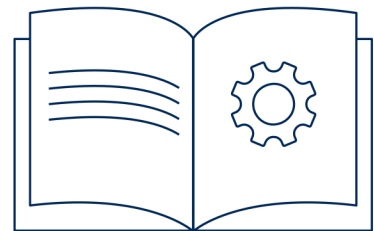
**Jump Starter Clip
with 12" Cord**



**24" DC Conversion Line
& Conversion Heads**



47" AC Adaptor & 47" Cord

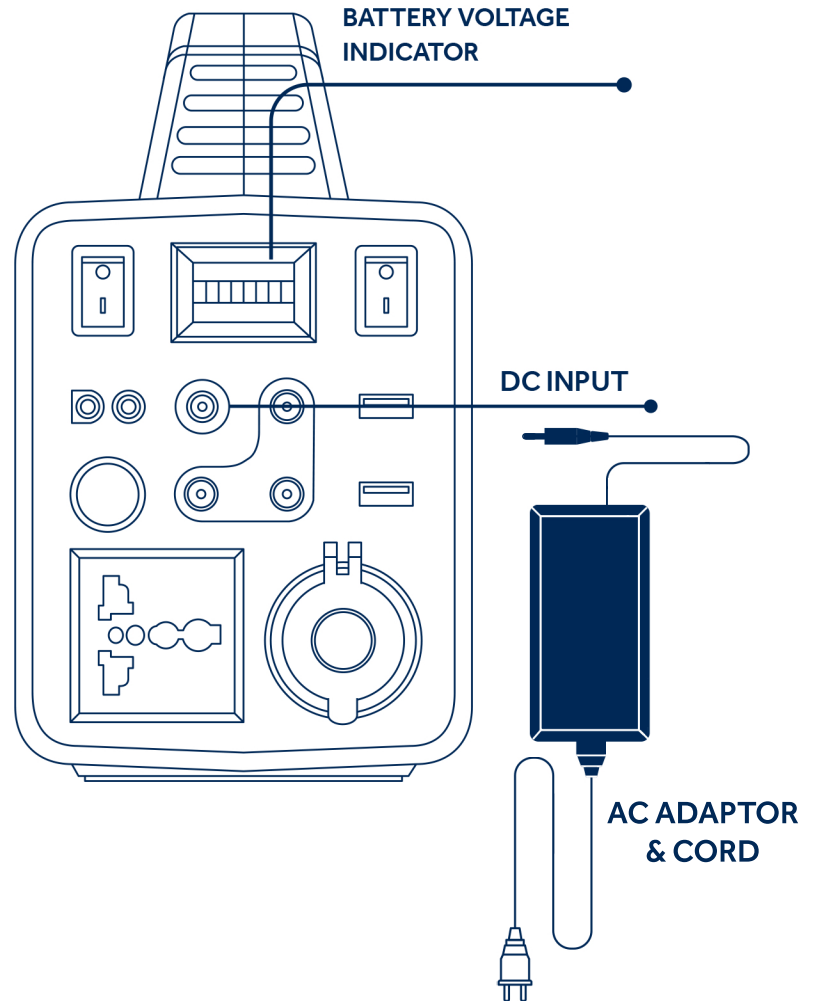


User Manual

HOW TO CHARGE YOUR PRODUCT

Your Ultralite 600 should arrive to you with about 50% battery life so you can use it right away. We do suggest charging immediately to ensure you have a full battery.

1. Make sure the product is turned off before charging. (We recommend turning off device for initial charge. After the first time, device can be in use while charging.)
2. Insert the AC power supply plug of the product's standard power charger into the household AC socket, and then insert the DC connection head of standard power charger into the DC input port.
3. This product supports DC charging between the voltages of 12V-20V (charger adapter, car charging with 12V, solar panel charging, etc.) using the same input port.
4. When all 8 grids on the Battery Voltage Indicator turn green, the product is fully charged and ready to use.



RECHARGING TIMES



Wall Charger
10 hours

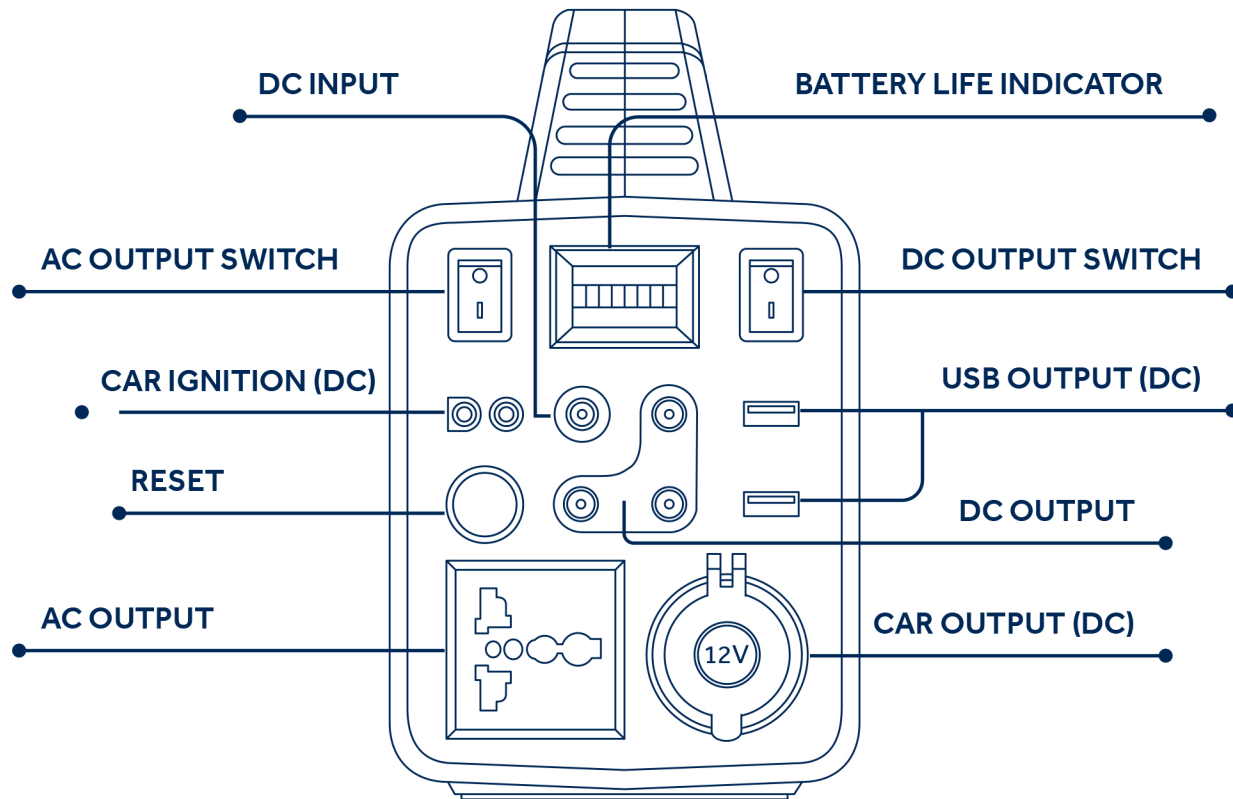


Car Charger
10 hours



60W Solar Charger
20 hours

GETTING TO KNOW YOUR PRODUCT



*Please Note: It's normal for this product to generate heat when it is being charged. Electrical voltage standards vary. Before use, you must carefully check whether the product specifications are consistent with those of the appliance. Otherwise, it may lead to a dangerous situation. Please use the authorized charging cables for smart phones or any other electronic devices. The charging may stop if you do not use the authorized cables. If the charging is completed, the power may be turned off to save the energy. If you want to use the product again, turn the switch on to power up the product.

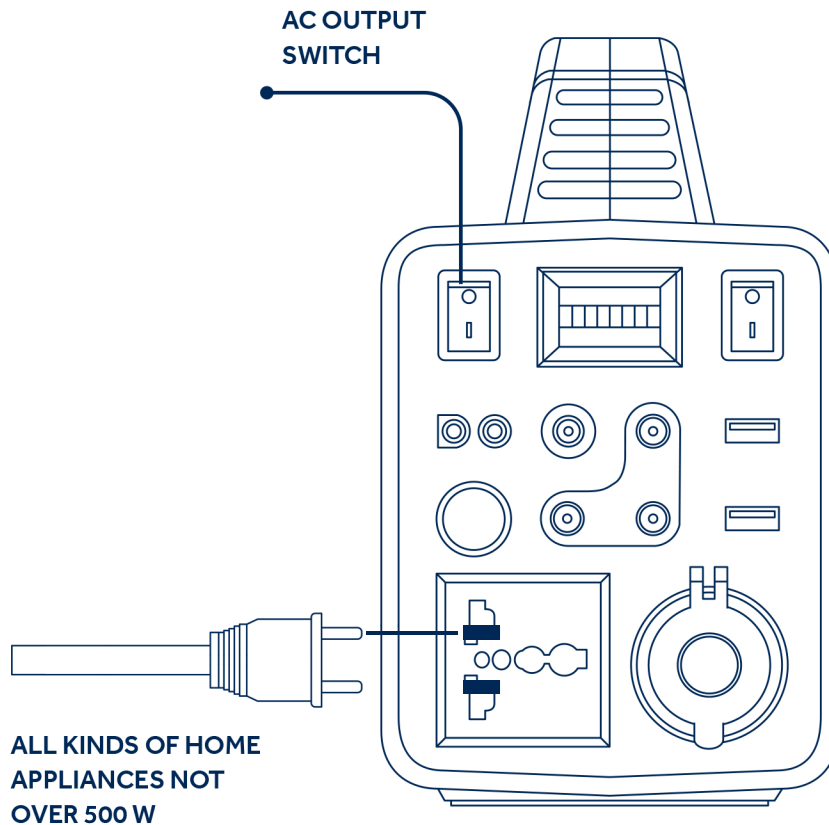
USING YOUR PRODUCT FOR AC ELECTRICAL APPLIANCES



Laptop, Electric Kettle, Small TV, Lamp, Fan

1. Turn the AC Switch on. After 5 seconds, it will display an AC output sign.
2. Connect the plug of the power cord of the product to the AC socket.

During the process of AC output, the product will generate heat, which is normal. If the power consumption of the appliances exceeds 500W, this product will stop functioning on its own and result in a power failure.

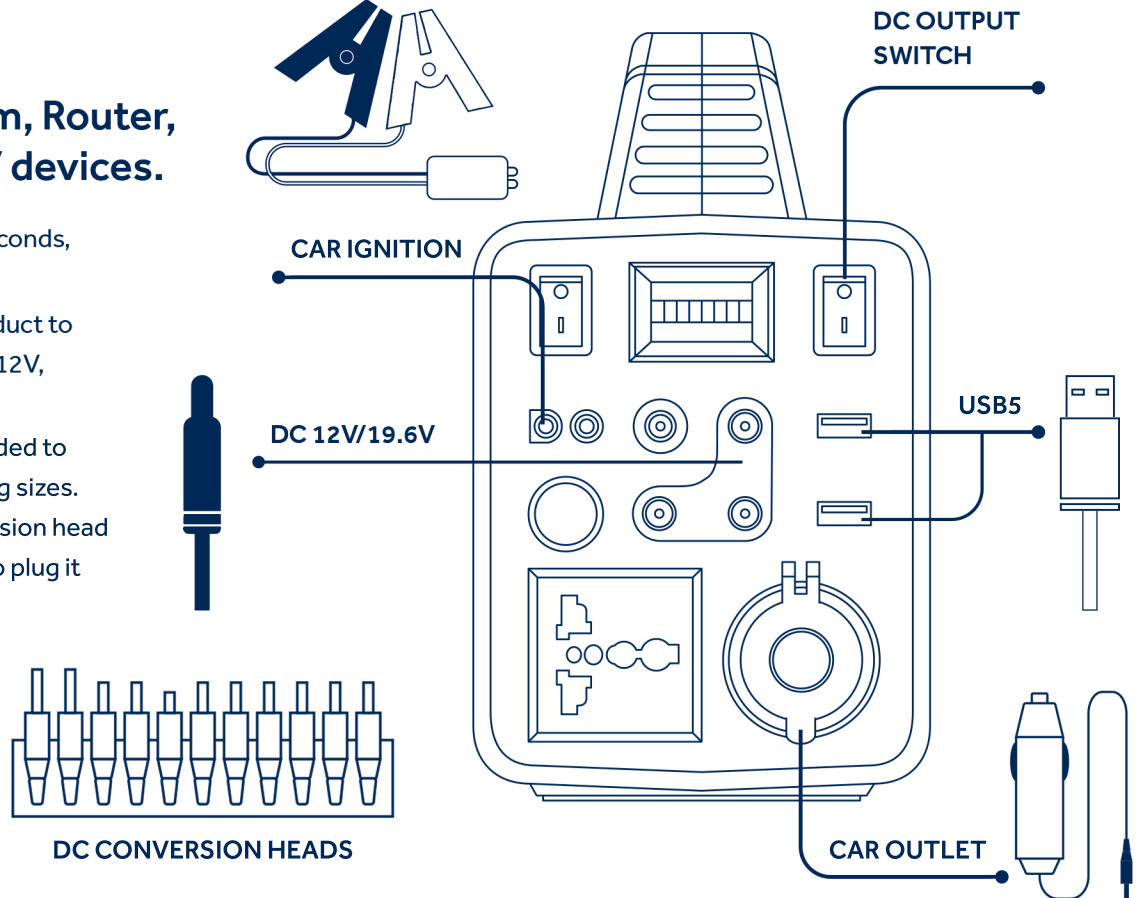


USING YOUR PRODUCT FOR DC ELECTRICAL APPLIANCES



Computer, Car Vacuum, Router, and most 12V and 19V devices.

1. Turn the DC Switch on. After 5 seconds, it will display an AC output sign.
2. Insert the plugs of the digital product to suitable ports (such as USB5, DC12V, DC19.6V)
3. 10 DC conversion heads are included to accommodate a variety of DC plug sizes. Select the appropriate DC conversion head that fits your DC plug and use it to plug it into the product.

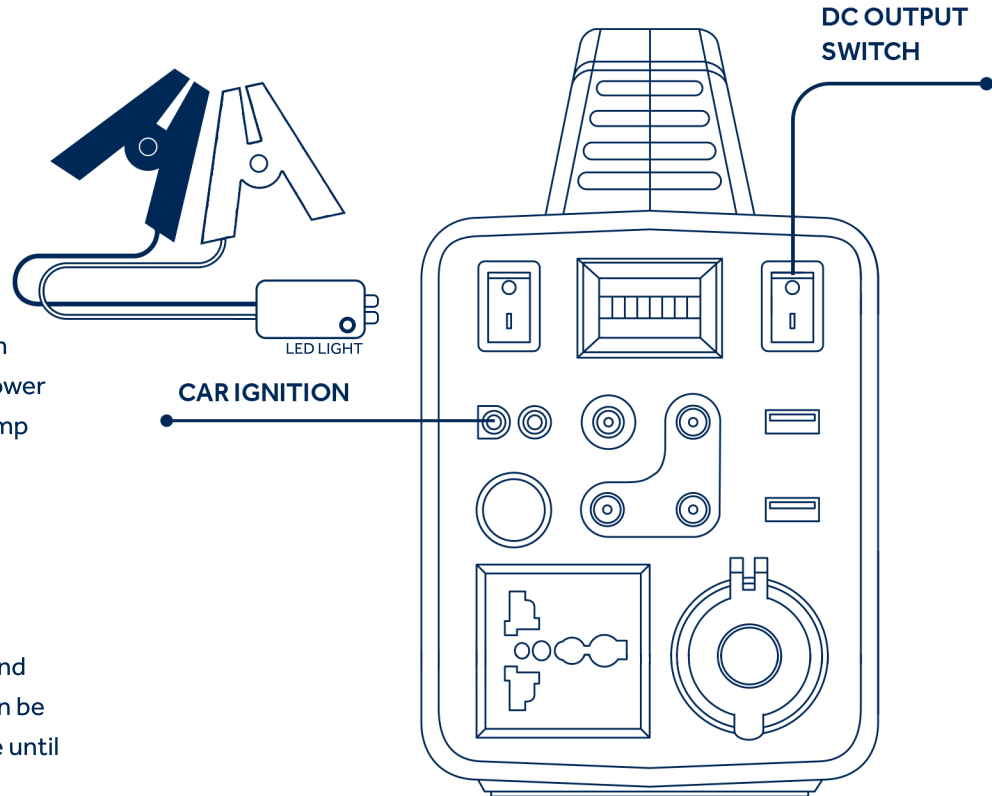


JUMPSTARTING A CAR (DC)



1. Connect the jump starter clip to the power station EC5 port.
2. Connect the black clip to the negative of the car battery; connect the red clip to the positive of the car battery.
3. Check the jump starter clip, LED light will turn green indicating that car battery is well connected with power station. (This small LED light is hidden inside the jump clip and not visible when the clip is not connected.)
4. Turn on the car key or button to start car.
5. Remove the jump starter clip from power station.
6. Remove jump starter clip from the car battery.

Please note: This jump starter is for standard cars and not suitable for large truck batteries. This device can be used 40-50 times throughout the product's lifetime until the power station is completely drained.



HOW TO USE LED LIGHTS

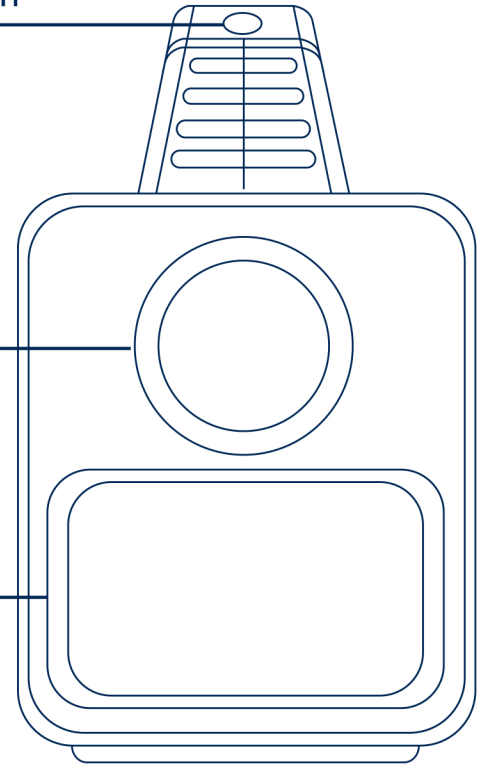
There are 7 different modes:

1. Bright Flashlight
2. Dim Flashlight
3. Distress Signal
4. Alarm Light
5. Bright LED Light
6. Ambient LED Light
7. Combined Flashlight & LED Light

FLASHLIGHT/LIGHT
MODE SELECTOR SWITCH

10W LED FLASHLIGHT

5W LED LIGHT



SPECIFICATIONS

Capacity	577Wh (156,000mAh battery cell capacity)
Battery	Li-ion Polymer Battery Cells made by ATL
AC Output Power	220V/50Hz, 110V/60Hz power rating 500W Sine Waves
Output Waveform	Pure Sine Wave
DC Output Power	USB5V/2A x 2 DC12V/4A 19.6V/4A Car Ignition EC5 12V/300A Car Output 12V, 200W Max
LED Lighting	LED flashlight LED Light 5W
Battery Voltage Indicator	8 grids
Battery Lifecycle	>700 times (with 80% residual capacity)
DC Input	13.2V5A, Solar Panel 13.6-20V 40W-100W, Car Charger
Storage Temperature	-4°F~140°F
Working Temperature	14°F~122°F
Dimensions	10.24 x 4.33 x 7.09" (260 x 110 x 180mm) (L x W x H)
Weight	8.8 lbs (4kg)

PRECAUTIONS

Before using this product, you should read the instructions carefully and be aware of the precautions.

The product is equipped with high-voltage electricity. It is expected to use with caution in order to avoid any accidents.

This product is not permitted on aircrafts

Use the original or certified charger and cables, charge it by the constant current and voltage, and prohibit reverse charging.

Please do not put this product in contact with fire, liquids, and direct sunlight.

Avoid storing this product near metal objects like coins, jewelry, and keys to prevent short-circuiting.

Press the "RESET" button in case of temporary malfunctioning. The product will be reset and turned to normal conditions.

It's normal for this product to generate heat when it is being charged.

This product is durable, has built-in lithium-ion batteries with a large capacity, and features a non-memory effect. (Recommended storage temperature: 50°F ~95°F)

Do not disassemble the product

If you do not plan to use the product for a long time, charge at least once every 3 months to extend the battery life. When you do not use the product, please make sure that all switches are turned off. If any switch is turned on, the product will be fully drained in 1-3 days.

In the case of throwing this product away, please dispose in accordance with local regulations.

WARRANTY INFORMATION

Proper use helps to extend the life of this product. Please operate strictly according to the user manual and under the prescribed conditions. This product is intended for consumer use only.

Warranty is valid for 1 year from the date of purchase.

During the warranty period, we will repair or replace the product at no cost, unless the damage is caused by:

- **Improper use or handling of the product (other than consumer use, rough use/dropping, improper charging)**
- **Disasters such as flood, fire or earthquake**
- **Unauthorized disassembling, repair, or modification of the product**

CONTACT US



hi@freeforcepower.com



www.freeforcepower.com



888-984-2762



@freeforcepower

FREEFORCE™

ULTRALITE 600

ULTRALITE PORTABLE POWER STATION