



FREESTANDING FRENCH DOOR GAS RANGE



INSTALLATION GUIDE

SPECIFICATIONS, INSTALLATION, AND MORE

MODEL NUMBERS:

| | | |
|---|---|---|
|  |  |  |
| FFSGS6439-30 | FFSGS6439-36 | FFSGS6439-48 |

| Contents | |
|---|----|
| Customer Care | 3 |
| Warranty | 4 |
| Consumer Information | 6 |
| Important Safety Information | 8 |
| Features of Your Range | 12 |
| Installation Instructions | 13 |
| Door Handle Installation | 14 |
| Cooktop Burner Grills Installation | 15 |
| Oven Racks Installation | 15 |
| Electrical | 15 |
| Gas Supply | 16 |
| Pressure Regulator | 17 |
| Gas Shut-off Valve | 17 |
| Product Dimensions and Cabinets | 18 |
| Exhaust Hood Installation | 22 |
| Gas Conversion Operation | 22 |
| Gas Supply Connection | 28 |
| Cooktop Operation | 28 |
| Ignition | 28 |
| Simmer and Boil | 29 |
| Burner Grates | 29 |
| Griddle Operation | 30 |
| Cooktop Cleaning Tips | 30 |
| Oven Light | 30 |
| LED Light Switch | 30 |
| Oven Operation | |
| Preheating | 31 |
| Convection Bake | 31 |
| Convection Roast | 31 |
| Broiler Operation | |
| Setting Broil | 32 |
| Oven Cleaning Tips | 32 |
| Oven Thermostat & Cooking Time | 33 |
| Care and Cleaning Recommendations | 33 |
| Troubleshooting Tips | 34 |
| Please Read Before Using Your Oven | 36 |
| Wire Diagram | 37 |

Customer Care

Thank you for purchasing a **FORNO** product. Please read the entire instruction manual before operating your new appliance for the first time. Whether you are an occasional user or an expert, it will be beneficial to familiarize yourself with the safety practices, features, operation and care recommendations of your appliance.

Both the model and serial number are listed inside the product. For warranty purposes, you will also need the serial number, the date of purchase & a copy of your proof of purchase. Record this information below for future reference.

SERVICE INFORMATION

Use these number in any correspondence or service calls concerning your product.

Model Number

If you received a damaged product, immediately contact **FORNO**.

Serial Number

Save time and money. Before you call for service, check the Troubleshooting Guide. It lists the causes of minor operating problems that you can correct yourself.

Date of Purchase

Purchase Address & Phone

SERVICE IN CANADA & UNITED STATES

Keep the instruction manual handy to answer your questions. You can also find all the information you need online at www.forno.ca.

If you don't understand something or need more assistance, please visit our website or email: info@forno.ca

If there is a problem, please contact FORNO customer service. Please note that troubleshooting with a customer service representative will be needed before being able to send a service provider. All warranty work needs to be authorized by FORNO customer service. All our authorized service providers are carefully selected and rigorously trained by us.

K UffUbhm

K \ UhH Jg`ja JhYX`k UffUbhmWtj Yfg.`

The Warranty coverage provided by Forno Appliances in this statement applies exclusively to the original Forno appliance ("Product") sold to the consumer ("Purchaser") by an authorized Forno dealer/distributor/retailer, purchased and installed in the United States or Canada, and which has always remained within the original country of purchase (the United States or Canada). Warranty coverage is activated on the date of the Product's original retail purchase and has a duration of two (2) years.

Warranty coverage is non-transferable. In the event of replacement of parts or of the entire product, the replacement Product (or parts) shall assume the remaining original Warranty activated with the original retail purchase document. This Warranty shall not be extended with respect to such replacement. Forno Appliances will repair or replace any component/part which fails or proves defective due to materials and/or workmanship within 2 years of the date of the original retail purchase and under conditions of ordinary residential, non-commercial use. Repair or replacement will be free of charge, including labor at standard rates and shipping expenses. Purchaser is responsible for making the Product reasonably accessible for service. Repair service must be performed by a Forno Authorized Service company during normal working hours.

=ADCFH5 BH'

Retain proof of original purchase to establish warranty period. Forno's liability on any claim of any kind, with respect to the goods and/or services provided, shall in no event exceed the value of the goods or service or part there of which has given rise to the claim.

' \$!8 Um7 cga YhJWk UffUbhm

The Purchaser must inspect the product at the time of delivery. Forno warrants that the Product is free from manufacturing defects in materials and workmanship for a period of thirty (30) days from date of the original retail purchase of the Product.

Hh Jg`Wtj YfUj Y`jbWi XYg.`

- Paint blemishes
- Chips
- Macroscopic finish defects

7 cga YhJWk UffUbhmXcYg`BCH`Wtj Yf.`

- > issues resulting from incorrect transport, handling and/or installation (e.g.: dents, broken, warped or deformed structures or components, cracked or otherwise damaged glass components);
- > slight color variations on painted/enameled components;
- > differences caused by natural or artificial lighting, location or other analogous factors;
- > stains/corrosion/discoloration caused by external substances and/or environmental factors;
- > labor costs, display, floor, B-stock, out- of-box, "as is" appliances and demo units.

<ck `tc`fYWWj Y`gYfj JW'

To receive warranty services, the Purchaser must contact the Forno Support department in order to determine the problem and the required service procedures. Troubleshooting with a customer service representative will be necessary before moving forward with the service. Model number, serial number and date of original retail purchase will be requested.

Warranty Exclusions: What Is Not Covered.

- > Use of the Product in any non-residential, commercial application.
- > Use of the Product for anything other than its intended purpose.
- > Repair services provided by anyone other than a Forno Authorized Service agency.
- > Damages or repair services to correct services provided by unauthorized parties or the use of unauthorized parts.
- > Installation not in accordance with local/state/city/county fire codes, electrical codes, gas codes, plumbing codes, building codes, laws or regulations.
- > Defects or damage due to improper storage of the Product.
- > Defects, damage or missing parts on products sold out of the original factory packaging or from displays.
- > Service calls or repairs to correct an incorrect installation of the Product and/or related accessories.
- > Replacement of parts/service calls to connect, convert or otherwise repair the electrical wiring and/or gas line in order to properly use the product.
- > Replacement of parts/service calls to provide instructions and information on the use of the Product.
- > Replacement of parts/service calls to correct issues arising from the product being used in a manner other than what is normal and customary for residential use.
- > Replacement of parts/service calls due to wear and tear of components such as seals, knobs, pan supports, shelving, cutlery baskets, buttons, touch displays, scratched or broken ceramic-glass tops.
- > Replacement of parts/service calls for lack of or/ improper maintenance, including but not limited to: build up of residues, stains, scratches, discoloration, corrosion.
- > Defects and damages arising from accidents, alteration, misuse, abuse or improper installation.
- > Defects and damages arising from Product transport, logistics and handling. Inspection of the product must be made at time of delivery. Following receipt and inspection, the selling dealer/delivery company must be notified of any issues arising from handling, transport and logistics.
- > Defects and damages arising from external forces beyond the control of Forno Appliances, including but not limited to wind, rain, sand, fires, floods, mudslides, freezing temperatures, excessive moisture or extended exposure to humidity, power surges, lightning, structural failures surrounding the appliance and other acts of God.
- > Products whose serial number has been altered/damaged/tampered with. In no case shall Forno be held liable or responsible for damage to surrounding property, including furniture, cabinetry, flooring, panels, and other structures surrounding the Product. Forno is neither liable nor responsible for the Product if it is located in a remote area or an area where certified trained technicians are not reasonably available. Purchaser must bear any transportation and delivery costs of the Product to the nearest Authorized Service Center or the additional travel expenses of a certified trained technician

THERE ARE NO EXPRESS WARRANTIES OTHER THAN THOSE LISTED AND DESCRIBED ABOVE, AND NO WARRANTIES, EITHER EXPRESS OR IMPLIED, INCLUDING, BUT NOT LIMITED TO, ANY IMPLIED WARRANTIES OF MERCHANTABILITY OR FITNESS FOR A PARTICULAR PURPOSE THAT SHALL APPLY AFTER THE EXPRESS WARRANTY PERIODS STATED ABOVE, AND NO OTHER EXPRESS WARRANTY OR GUARANTEE GIVEN BY ANY PERSON, FIRM OR CORPORATION WITH RESPECT TO THIS PRODUCT SHALL BE BINDING ON FORNO. FORNO SHALL NOT BE LIABLE FOR LOSS OF REVENUE OR PROFITS, FAILURE TO REALIZE SAVINGS OR OTHER BENEFITS, TIME AWAY FROM WORK, MEALS, LOSS OF FOOD OR BEVERAGES, TRAVELING OR HOTEL EXPENSES, EXPENSES TO RENT OR PURCHASE APPLIANCES, REMODELING/CONSTRUCTION EXPENSES IN EXCESS OF DIRECT DAMAGES WHICH ARE UNDENIABLY CAUSED EXCLUSIVELY BY FORNO OR ANY OTHER SPECIAL, INCIDENTAL OR CONSEQUENTIAL DAMAGES CAUSED BY THE USE, MISUSE OR INABILITY TO USE THIS PRODUCT, REGARDLESS OF THE LEGAL THEORY ON WHICH THE CLAIM IS BASED, AND EVEN IF FORNO HAS BEEN ADVISED OF THE POSSIBILITY OF SUCH DAMAGES. NOR SHALL RECOVERY OF ANY KIND AGAINST FORNO BE GREATER IN AMOUNT THAN THE PURCHASE PRICE OF THE PRODUCT SOLD BY FORNO AND CAUSING THE ALLEGED DAMAGE. WITHOUT PREJUDICE TO THE FOREGOING, PURCHASER ASSUMES ALL RISK AND LIABILITY FOR LOSS, DAMAGE OR INJURY TO PURCHASER AND PURCHASER'S PROPERTY AND TO OTHERS AND THEIR PROPERTY ARISING FROM THE USE, MISUSE, OR INABILITY TO USE THIS PRODUCT SOLD BY FORNO THAT IS NOT A DIRECT RESULT OF NEGLIGENCE ON THE PART OF FORNO THIS LIMITED WARRANTY SHALL NOT EXTEND TO ANYONE OTHER THAN THE ORIGINAL PURCHASER OF THIS PRODUCT, IS NON-TRANSFERABLE, AND STATES YOUR EXCLUSIVE REMEDY.

Consumer information

Range Safety

Your safety and the safety of others are very important.

We have provided many important safety messages in this manual and on your appliance. Always read and obey all safety messages.



This is a safety alert symbol. It will alert you to potential personal or property safety hazards. Obey all safety messages to avoid any property damage, personal injury or death.

⚠️WARNING

WARNING indicates a potentially hazardous situation which, if not avoided, could result in serious injury or death.

⚠️CAUTION

CAUTION indicates a moderate hazardous situation which, if not avoided, could result in minor or moderate injury. All safety messages will alert you what the potential hazard is, tell you how to reduce the chance of injury, and let you know what can happen if the instructions are not followed.

⚠️WARNING

If the information in this manual is not followed exactly, a fire or explosion may result, causing property damage, personal injury or death.

Do not store or use gasoline or other flammable vapors and liquids in the vicinity of this or any other appliance.

- WHAT TO DO IF YOU SMELL GAS

- Do not try to light any appliance.
- Do not touch any electrical switch.
- Do not use any phone in your building.
- Immediately call your gas supplier from a neighbor's phone. Follow the gas supplier's instructions.
- If you cannot reach your gas supplier, call the fire department.

Installation and service must be performed by a qualified installer, service agency or the gas supplier.

ANTI-TIP DEVICE

⚠️WARNING

Tip-over Hazard



A Child or adult can tip the range which can result in serious injuries or death. Install the anti-tip device to the range and/or structure per installation instructions. Engage the range to the Anti-tip device installed to the structure. Re-engage the anti-tip device if the range is removed. Failure to follow these instructions can result in death or serious injuries and/or burns to children and adults.

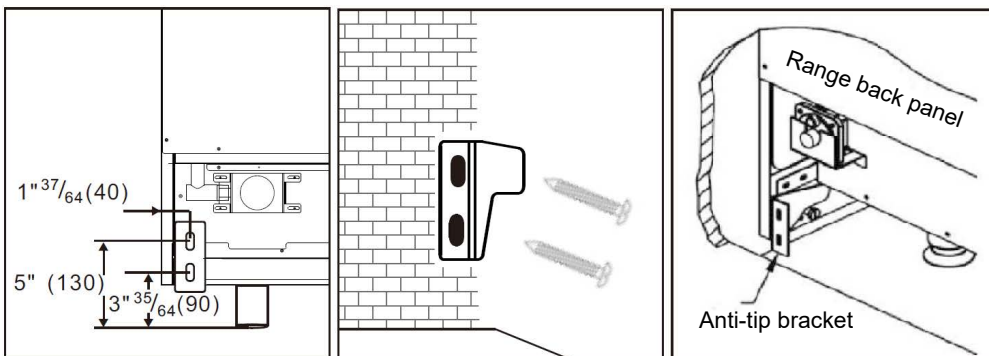
To reduce the risk of tipping the range, the range must be secured by properly installed anti-tip device packed with the range. See installation instructions shipped with the bracket for complete details before attempting to install.

All ranges can tip and cause injuries.

Make sure the anti-tip bracket is installed.

Slide range forward.

Make sure the anti-tip bracket is securely attached to the wall behind the range.



⚠ WARNING

This product can expose you to chemicals including carbon monoxide, which is known to the State of California to cause developmental harm.

For more information go to www.P65Warnings.ca.gov

The installation must conform with local codes or, in the absence of local codes, with the National Fuel Gas Code, ANSI Z223.1/NFPA 54 or, in Canada, the Natural Gas and Propane Installation Code, CSA B149.1.

⚠ WARNING

Never operate the top surface cooking section of the appliance unattended

Failure to follow this warning statement may result in fire, explosion or burn hazard that could cause property damage, personal injury or death.

If a fire should occur, keep away from the appliance and immediately call your fire department.

DO NOT ATTEND TO EXTINGUISH AN OIL/GREASE FIRE WITH WATER

IMPORTANT SAFETY INFORMATION

READ ALL INSTRUCTIONS BEFORE USING THE APPLIANCE

⚠ WARNING Read all safety instructions before using the product. Failure to follow these instructions may result in fire, electrical shock, serious injury or death.

GENERAL SAFETY INSTRUCTIONS

⚠ WARNING NEVER use this appliance as a space heater to heat or warm the room. Doing so may result in carbon monoxide poisoning and overheating of the oven.

1. Use this range for its intended purpose as described in this instruction manual.
2. Have your range installed and properly grounded by a qualified installer in accordance with the provided installation instructions.

3. Any adjustment and service should be performed only by a qualified gas range installer or service technician. Do not attempt to repair or replace any part of your range unless it is specifically recommended in this manual.
4. Your range is shipped from the factory set for use with natural gas or propane (LP) gas. It can be converted for use with either. If required, these adjustments must be made by a qualified technician in accordance with the installation instructions and local codes. The agency performing this work assumes responsibility for the conversion.
5. Have the installer show you the location of the range gas shut-off valve and how to turn it off if necessary.
6. Plug your range into a 120-volt grounded outlet only. Do not removed the round grounding prong from the plug. If in doubt about the grounding of the home electrical system, it is your responsibility and obligation to have an ungrounded outlet in accordance with the National Electrical Code. Do not use an extension code with this range.
7. Before performing any service, unplug the range or disconnect the power supply at the household distribution panel by removing the fuse or switching off the circuit breaker.
8. Be sure all packing materials are removed from the range before operating to prevent ignition of these materials.
9. Avoid scratching or impacting glass displays. Doing so may lead to glass breakage. Do not cook on a product with broken glass. Shock, fire, or cuts may occur.
10. Do not leave children alone or unattended in an area where an appliance is in use. They should never be allowed to climb, sit or stand on any part of the range.

11. **⚠ CAUTION** Do not store items of interest to children in cabinets above an oven-children who climb onto the oven to reach items could be seriously injured.

12. Never block the vents (air openings) of the range. They provide the air inlets and outlets that are necessary for the range to operate properly with correct combustion. Air openings are located at the rear of the cooktop, at the top and bottom of the oven door, and at the bottom of the range.

13. Use only dry pot holders--moist or damp pot holders on hot surfaces may result in burns from steam. Do not let pot holders touch surface burners, burner grate, or oven heating element. Do not use a towel or other bulky fabrics in place of pot holders.

14. Do not touch the heating elements or the interior surface of the oven. These surfaces may be hot enough to burn even though they are dark in color. During and after use, do not touch, or let clothing or other flammable materials contact any interior area of the oven; allow sufficient time for cooling first. Other surfaces of the appliance may become hot enough to cause burns. Potentially hot surfaces include the burners, grates, oven vent opening, surfaces near the opening, crevices around the oven door, metal trim parts above the door, any back guard, or high shelf surface.

15. Do not heat unopened food containers. Pressure could build up and the container could burst, causing any injury.

⚠ WARNING **Extremely Heavy.**

Proper equipment and adequate manpower are needed when move the range to avoid personal injury or damage to the unit or the floor.

Failure to follow this advice may result in damage or personal injury.

⚠️WARNING DO NOT carry or lift the cooking range by the oven door handle or the control panel!



CORRECT



INCORRECT



INCORRET

⚠️WARNING Never pour cold water to hot surfaces in a hot oven. The steam created could cause serious burns or scalding and the sudden change in temperature can damage the enamel in the oven.

⚠️WARNING Cook food thoroughly to help protect against foodborne illness. Minimum safe food temperature recommendations can be found at www.IsItDoneYet.gov and www.fsis.usda.gov. Use a food thermometer to take food temperatures and check several locations.

Do not allow anyone to climb, stand or hang on the oven door, drawer or cooktop. They could damage the range or tip it over causing severe injury or death.

Keep the ventilator hood and grease filter clean to maintain good venting and to avoid grease fires. Turn the ventilator OFF in case of a fire or when intentionally "flaming" liquor or other spirits on the cooktop. The blower if in operation, could spread the flames.

⚠️WARNING **KEEP FLAMMABLE MATERIAL AWAY FROM THE RANGE**

Failure to do so may result in fire or personal injury.

Do not store or use flammable materials in an oven or near the cooktop, including paper, plastic, pot holders, linens, wall coverings, curtains, drapes and gasoline or other flammable vapors and liquids. Never wear loose-fitting or hanging garments while using the appliance. These garments may ignite if they contact hot surfaces causing severe burns.

Do not let cooking grease or other flammable materials accumulate in or near the range. Grease in the oven or on the cooktop may ignite.

⚠️WARNING **IN THE EVENT OF A FIRE, TAKE THE FOLLOWING STEPS TO PREVENT INJURY AND FIRE SPREADING.**

Do not use water on grease fires. Never pick up a flaming pan. Turn the controls off. Smother a flaming pan on a surface unit by covering the pan completely with a well-fitting lid, cookie sheet or flat tray. Use a multi-purpose dry chemical or foam-type fire extinguisher.

If there is a fire in the oven during baking, smother the fire by closing the oven door and turning the oven off or by using a multi-purpose dry chemical or foam-type fire extinguisher. If there is a fire in the oven during self-clean, turn the oven off and wait for the fire to go out. Do not force the door open.

Introduction of fresh air at self-clean temperatures may lead to a burst of flame from the oven. Failure to follow this instruction may result in severe burns.

⚠️ WARNING COOKTOP SAFETY INSTRUCTIONS

Never leave the surface burners unattended at medium or high heat settings. Foods, especially oily foods, may ignite resulting in fire that could spread to surrounding cabinets.

Never leave oil unattended while frying. If allowed to heat beyond its smoking point, oil may ignite resulting in fire that may spread to surrounding cabinets. Use a deep fat thermometer whenever possible to monitor oil temperature.

To avoid oil spillover and fire, use the minimum amount of oil when frying in a shallow pan and avoid cooking frozen foods with excessive amounts of ice.

Use proper pan size and avoid pans that are unstable or easily tipped. Select cookware that matches the size of the burner. Burner flames should be adjusted so that they do not extend beyond the bottom of the pan. Excessive flames may be hazardous.

When using glass/ceramic cookware, make sure it is suitable for cooktop use; others may break because of a sudden change in temperature.

To minimize the possibility of burns, ignition of flammable materials and spillage, cookware handles should be turned toward the center of the range without extending over nearby burners.

Do not use a wok with a round metal support ring. The ring may trap heat and block air to the burner resulting in a carbon monoxide hazard.

Do not attempt to lift the cooktop. Doing so may damage the gas tubing to the surface burners resulting in a gas leak and risk of fire.

Do not use aluminum foil to cover the grills or line any part of the cooktop. Doing so may result in carbon monoxide poisoning, overheating of the cooktop surfaces, or a potential fire hazard.

⚠️ WARNING OVEN SAFETY INSTRUCTIONS

NEVER cover any slots, holes, or passages in the oven bottom or cover an entire rack with materials such as aluminum foil or oven liners. Never place foil or oven liners on the oven bottom. They can heat causing risk of smoke or fire.

Stand away from the range when opening the oven door. Escaping hot air or steam can cause burns to hands, face and/or eyes.

Never place cooking utensils, pizza or baking stones, or any type of foil or liner on the oven floor.

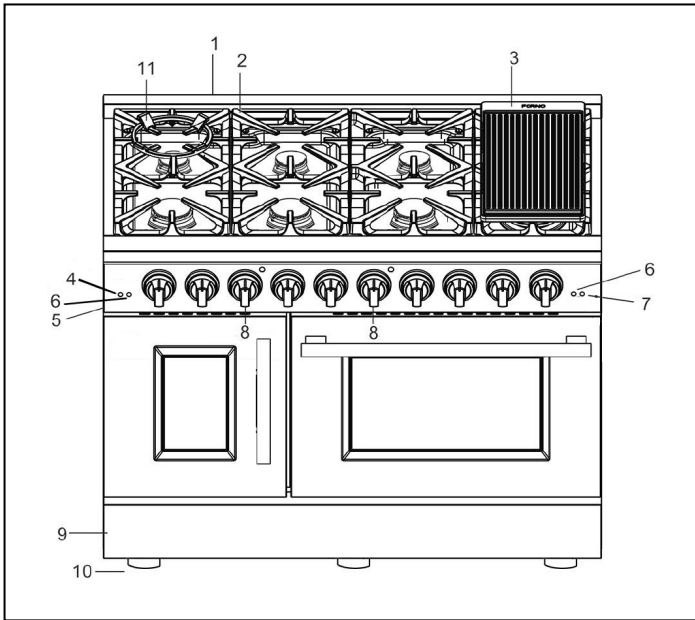
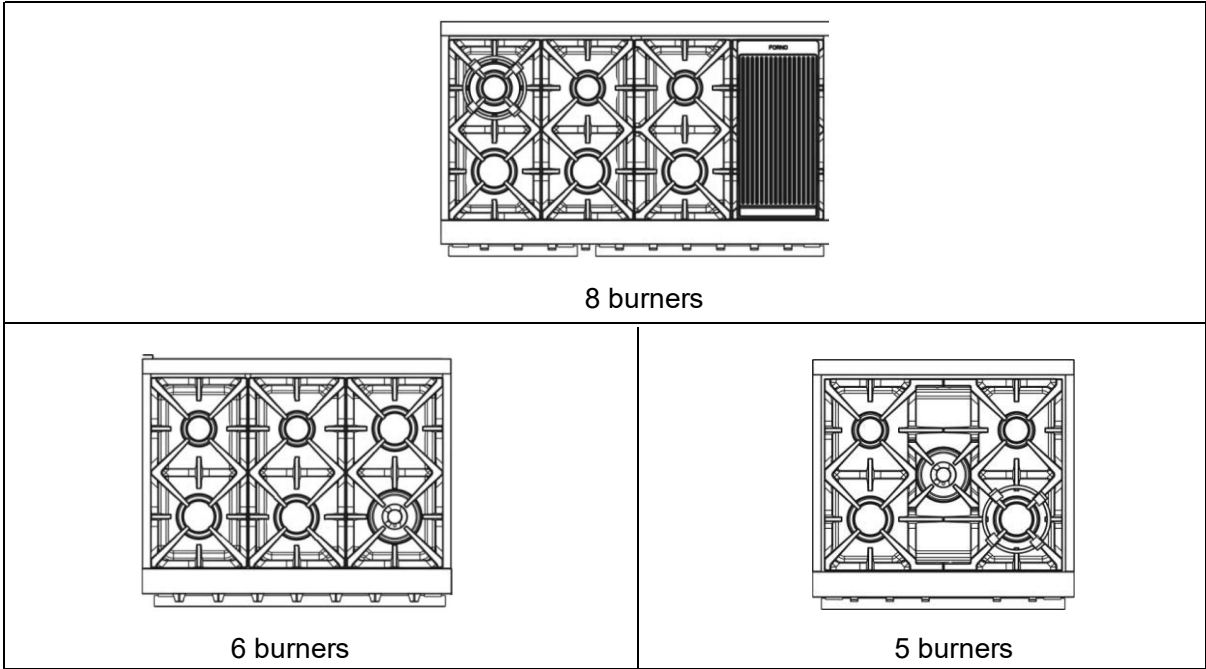
These items can trap heat or melt, resulting in damage to the product and risk of shock, smoke or fire. Place oven racks in desired location while oven is cool. If the rack must be moved while the oven is hot, be careful to avoid touching hot surfaces.

Do not leave items such as paper, cooking utensils, or food in the oven when not in use. Items stored in an oven can ignite.

Do not leave items on the cooktop near the oven vent. Items may overheat resulting in a risk of fire or burns.

Never broil with the door open. Open-door broiling is not advised due to overheating of control knobs.

Features of Your Range




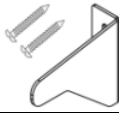

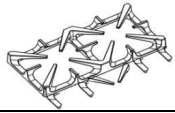
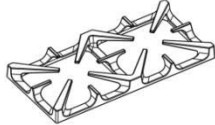
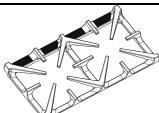
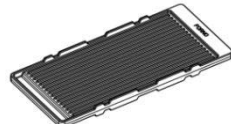
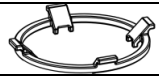
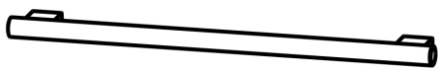
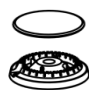
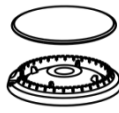
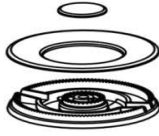
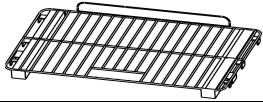
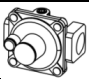

| Feature Index | |
|---------------|--------------------------|
| 1 | Oven Vents |
| 2 | Cooktop Burner Grates |
| 3 | Griddle (on some models) |
| 4 | LED Light Switch |
| 5 | Control Panel |
| 6 | Oven Lights |
| 7 | Convention Fan |
| 8 | Oven/Broil Burner |
| 9 | Kick Panel |
| 10 | Leveling System |
| 11 | Wok Support |

Not all features are on all models. Appearance may vary.


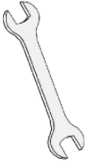
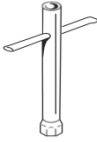






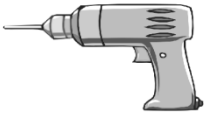
Installation Instructions

Before using your range

1. Remove all packaging material.
2. Check to make sure you have all of the accessories listed below

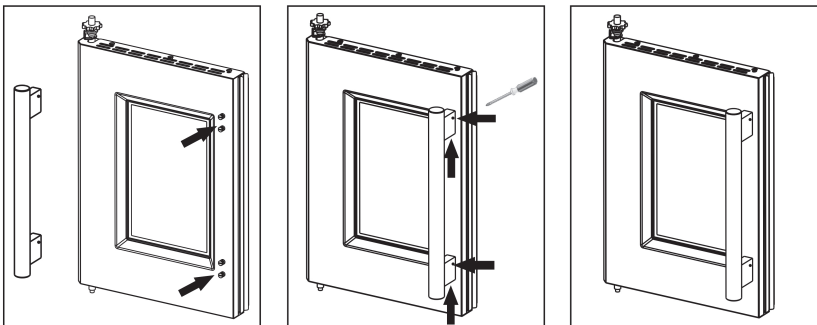
| | | | |
|---|--|--------------|----------|
|  0.46, 0.9, 0.93, 0.94, 1.18, 1.39, (*1.12 only for 48") | LPG injector | FFSGS6439-30 | 9 sets |
| | | FFSGS6439-36 | 10 sets |
| | | FFSGS6439-48 | 13 sets |
|  | Anti-tip bracket and screws | | 1 set |
|  | Wall-against mat | | 2 pieces |
|  | Burner Grills | FFSGS6439-30 | 2 pieces |
|  | Burner Grills | FFSGS6439-36 | 3 pieces |
| | | FFSGS6439-48 | 3 pieces |
|  | Burner Grills | FFSGS6439-48 | 1 piece |
|  | Cook plate (Griddle) | FFSGS6439-48 | 1 piece |
|  | Wok Support | | 1 piece |
|  | Oven door handle | | 2 pieces |
|  | Burner & Cap (9000BTU) | FFSGS6439-30 | 2 sets |
| | | FFSGS6439-36 | 2 sets |
| | | FFSGS6439-48 | 3 sets |
|  | Burner & Cap (15000BTU) | FFSGS6439-30 | 2 sets |
| | | FFSGS6439-36 | 3 sets |
| | | FFSGS6439-48 | 4 sets |
|  | Burner & Cap (20000BTU) | FFSGS6439-30 | 1 set |
| | | FFSGS6439-36 | 1 set |
| | | FFSGS6439-48 | 1 set |
|  | Baking rack (*4 pcs for FFSGS6439-48) | | 2 pieces |
|  | Regulator (pre-installed) | | 1 piece |
|  | Serial Number Sticker & Instruction Manual | | 1 set |

YOU NEED TOOLS FOR INSTALLATION. (not supplied with the range)

| | | | | |
|---|---|---|--|--|
|  Screwdriver |  Wrench |  Socket wrench |  Allen key |  Tape measure &Pencil |
|  Protective gloves |  Hammer |  Adjustable wrench |  Adjustable pliers |  Drill |

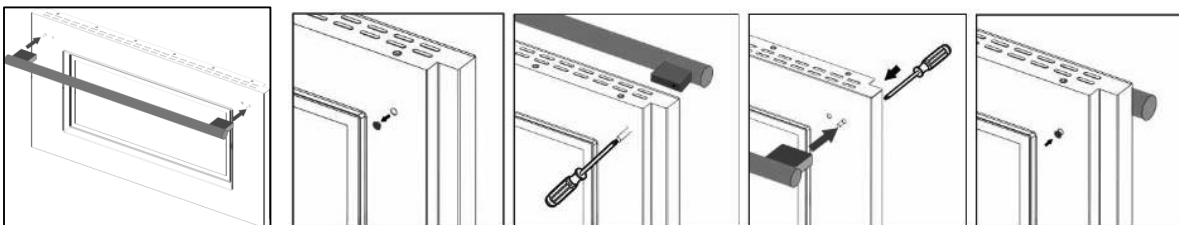
Door handle installations

The door handle is not pre-installed. Follow the illustrations below to install the door handle quickly and easily.



1. Align the handle with the screw on the door.
2. Then tighten the hexagon socket screws on the handle with a hexagon socket screwdriver.

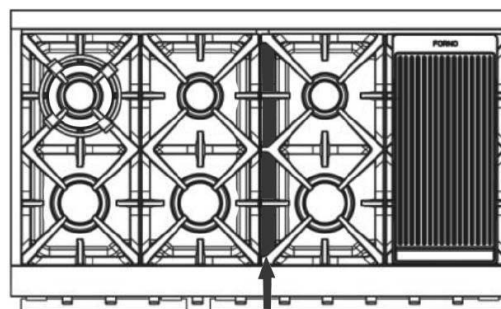
Chef door (for 30" oven of FFSGS6439-48)



1. Remove the black rubber cap on the inside of oven door. (Do not throw it away).
2. Insert the screwdriver to the hole to reach the embedded screw.
3. Position the handle holder correctly to accept the screw bolt on the outside of oven door, tighten the screw.
4. Repeat step No. 1 to 3 for the other side.
5. Put the black rubber caps back to cover the two holes on the inside of oven door.

Cooktop Burner Grills Installation

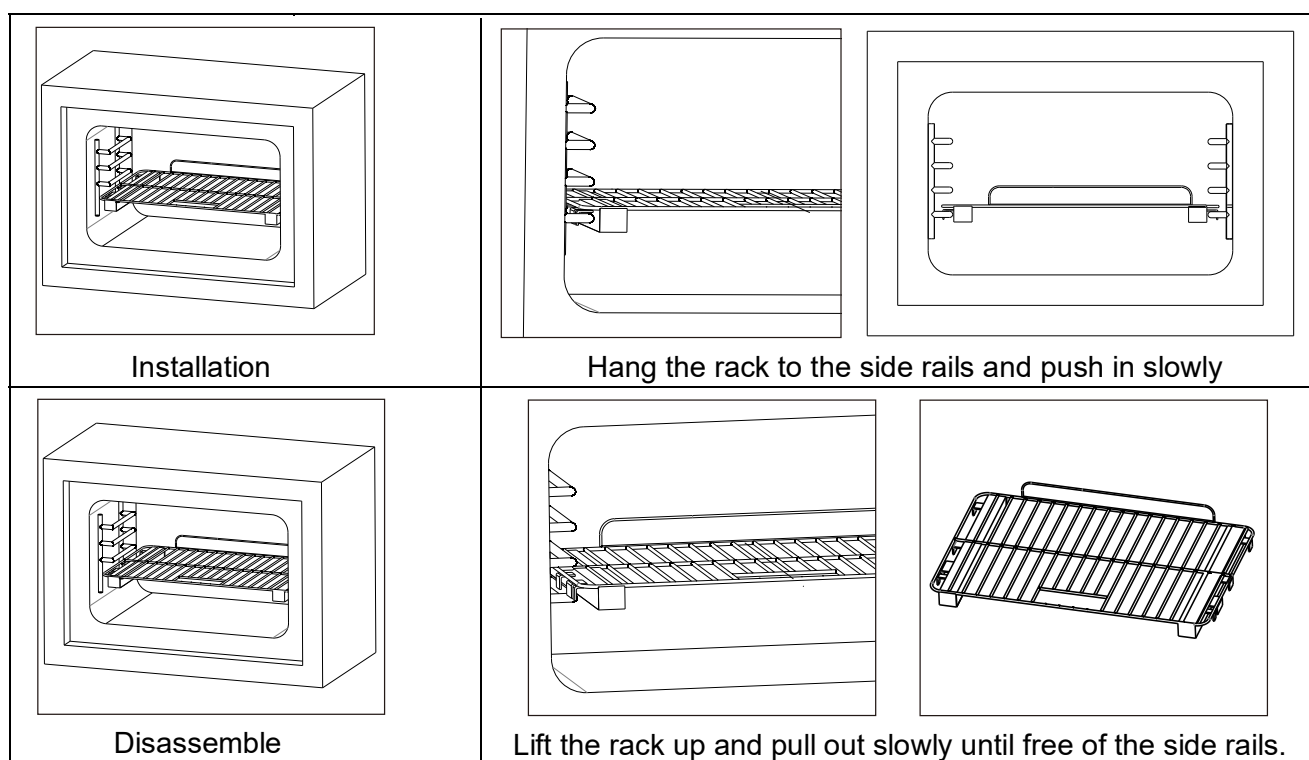
Remove the packing materials from the cooktop burner grills. Place the burner grills to the correct position. Check the direction of middle grill on the right as illustrated, the thicker side should be towards the left.



Put the cook plate (for FFSGS6439-48) and the wok support to the burner(s) you like to cook.

48"

Oven Racks Installation



Electrical

Your range must be electrically grounded in accordance with local codes or, in the absence of local codes, in accordance with the National Electrical Code (ANSI/NFPA 70, latest edition). In Canada, electrical grounding must be in accordance with the current CSA C22.1 Canadian Electrical Code Part 1 and/or local codes.

The power supply must be the correct polarity. Reverse polarity will result in continuous sparking of the electrodes, even after flame ignition. If there is any doubt as to whether the power supply has the correct polarity or grounded, have it checked by a qualified electrician.

ELECTRICAL REQUIREMENTS

| | |
|-------------------|------------------------------------|
| Electrical Supply | Grounded, 110/120 VAC, 60 Hz |
| Service | 15 amp or 20 amp dedicated circuit |
| Receptacle | 3-prong grounding-type |
| Power Cord | 5' (1.3 m) |

▲WARNING

Electrical Grounding Instructions: this cooking range is equipped with a three-prong (grounding) plug for your protection against shock hazard and should be plugged directly into a properly grounded three-pronged receptacle.

Do Not cut or removes the grounding prong from the plug.

▲CAUTION Label all wires prior to disconnection when servicing controls. Wiring errors can cause improper and dangerous operation. Verify proper operation after servicing.

Grounding

The power cord is equipped with a three-prong (grounding) plug which mates with a standard three-prong grounding wall receptacle to minimize the possibility of electrical shock hazard from the range.

All cord connected appliance shall include instructions relative to location of the wall receptacle and a warning to the user to disconnect the electrical supply before serving the appliance.

Where a standard two-prong wall receptacle is encountered, it is the responsibility and obligation of the customer to have it replaced with a properly grounded three-prong wall receptacle. Do not cut or remove the grounding prong from the power cord.

Gas Supply

Installation must comply with local codes or, in the absence of local codes, with the National Fuel Gas Code, ANSI Z223.1 / NFPA 54. In Canada, installation must conform to the current natural Gas Installation /code, CAN 1-1.1-M81 and with local codes where applicable.

This range has been design-certified according to ANSI Z21.1b-2012 latest edition.

GAS REQUIREMENTS

| NATURAL GAS | | WC |
|-------------------------|----------------------------------|--------------|
| Regulator Pressure | | 5" (12.5 mb) |
| Minimum Supply Pressure | | 6" |
| Maximum Supply Pressure | 14" (34.9 mb), 0.5 psi (3.5 kPa) | |
| LP GAS | | WC |
| Regulator Pressure | | 10" (25 mb) |
| Minimum Supply Pressure | | 11" |
| Maximum Supply Pressure | 14" (34.9 mb), 0.5 psi (3.5 kPa) | |

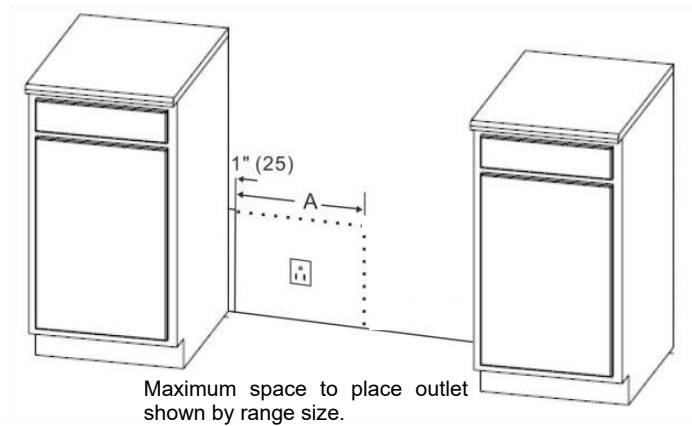
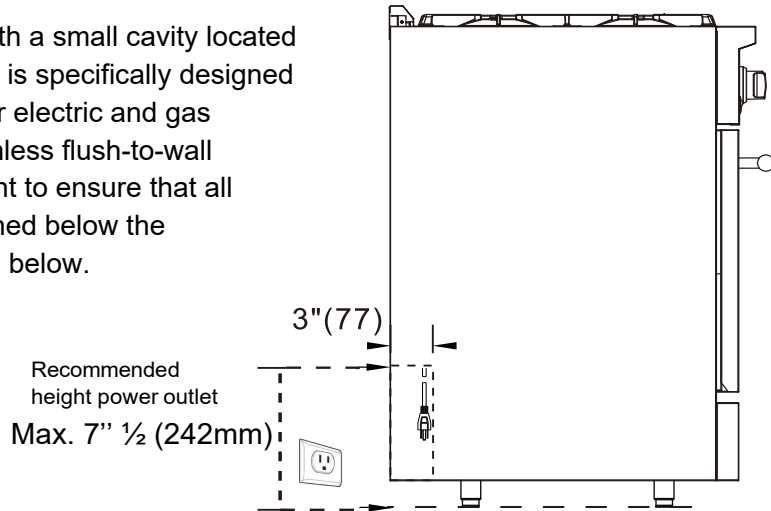
The min and max gas supply pressure stands for the pressure at the Gas Shut-Off Valve.

▲WARNING Do not obstruct the flow of combustion air into the range and ventilation air away from the range.

Ventilation: it is recommended that the unit be operated with an oven head, vented exhaust hood of sufficient size and capacity.

Electric Power Supply Requirements

Your unit is equipped with a small cavity located at the lower back, which is specifically designed to accommodate all your electric and gas requirements for a seamless flush-to-wall installation. It is important to ensure that all components are positioned below the measurements provided below.



| | 30 inch | 36 inch | 48 inch |
|---|-----------|-----------|------------|
| A | 28" (715) | 34" (866) | 46" (1169) |

⚠ WARNING

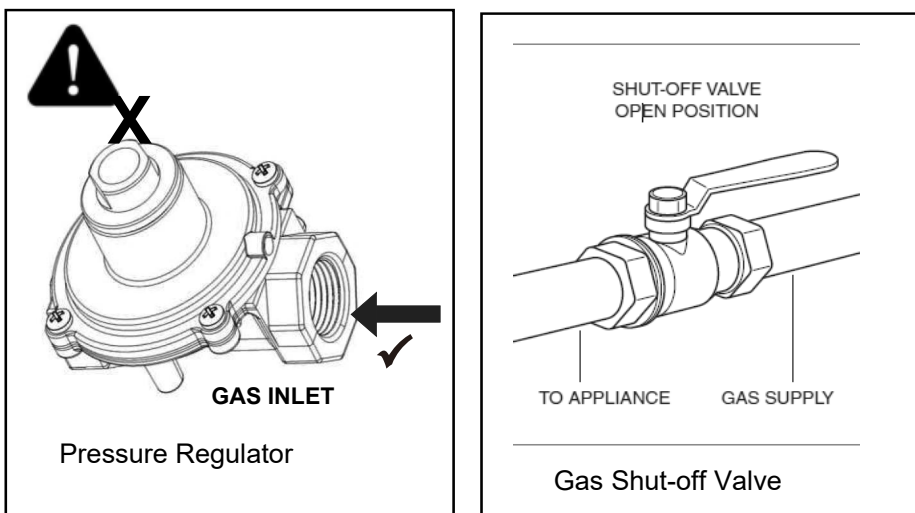
Please note that the maximum height may vary if you adjust the height of the unit's legs. For accurate measurements, we recommend referring to the actual object rather than relying solely on reference materials.

Pressure Regulator

Since service pressure may fluctuate with local demand, every gas cooking range must be equipped with a pressure regulator on the incoming service line for safe and efficient operation.

The pressure regulator preinstalled on the range has a gas inlet of 1/2" NPT for the 30", 36" & of 3/4" NPT for the 48".

Pressure regulator can withstand a maximum input pressure of 0.5 psi (3.5 kPa), and is set at 5" WC outlet pressure when used on NATURAL GAS and 10" WC outlet pressure when used on LIQUID PROPANE.



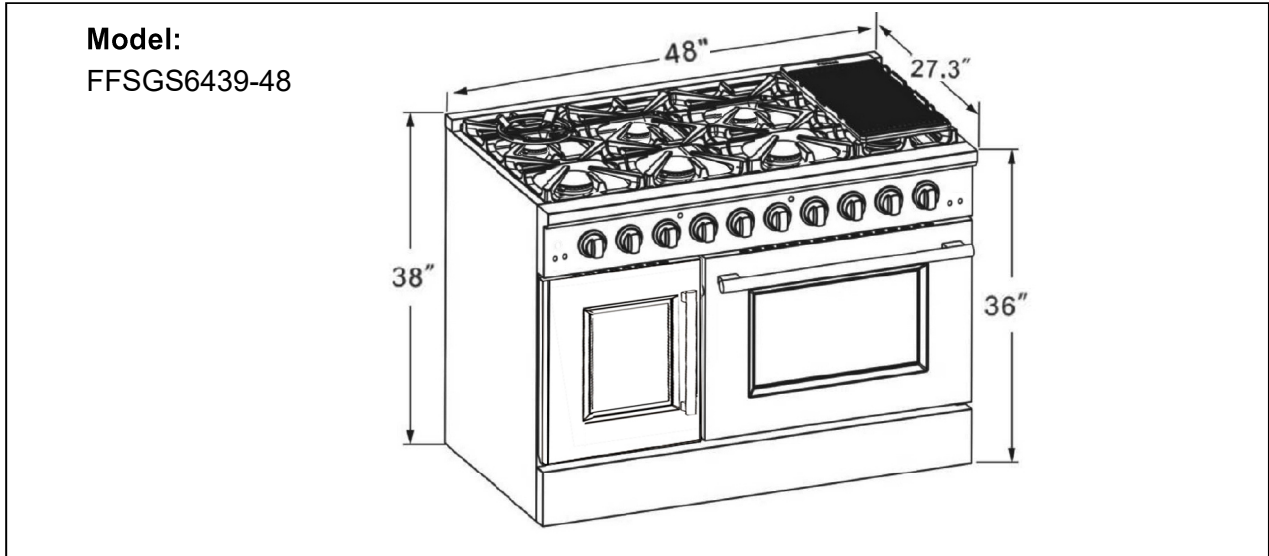
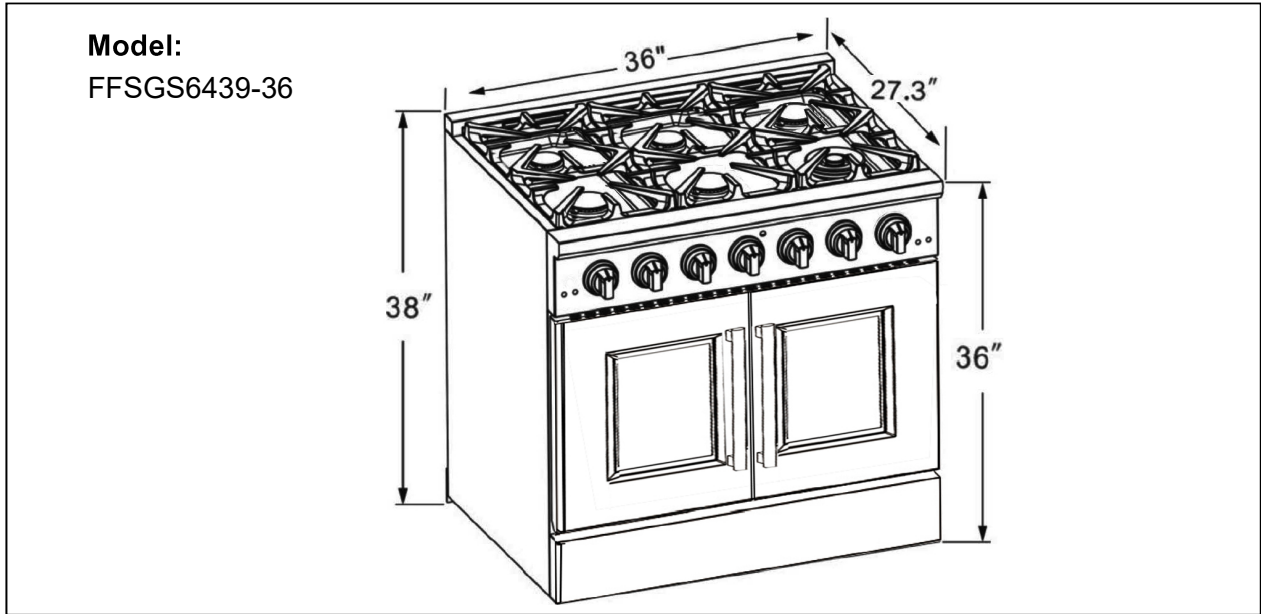
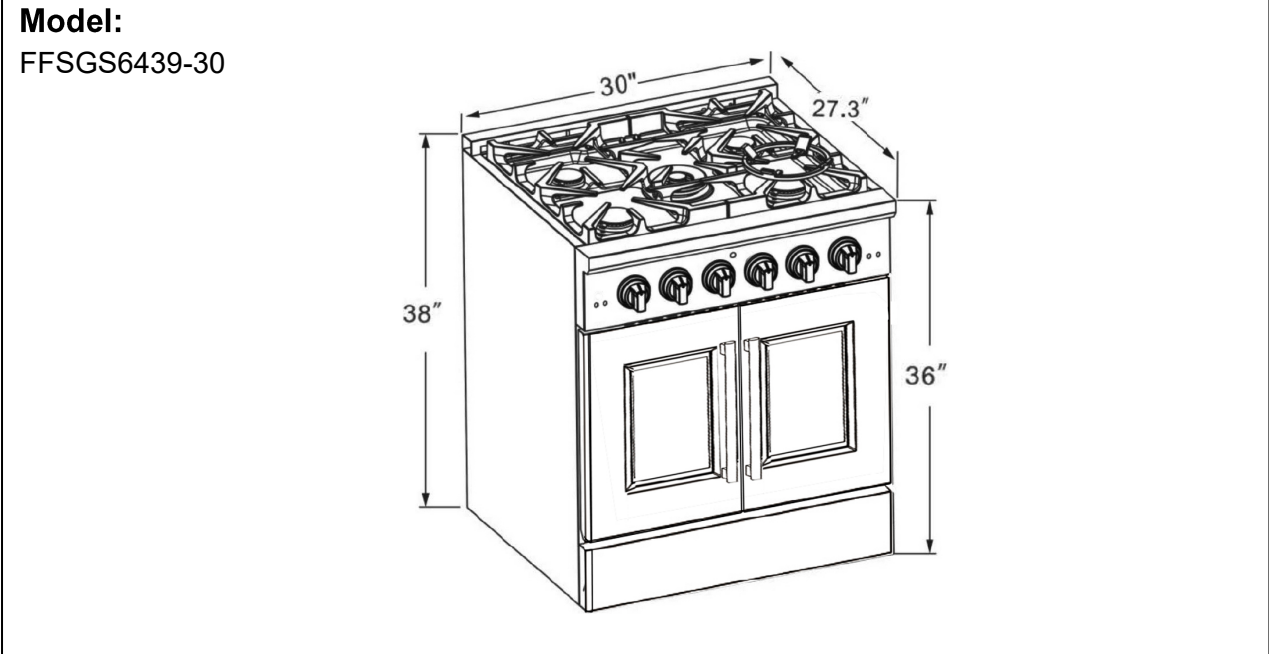
Gas Shut-off Valve (not included)

The supply line must be equipped with an approved external gas shut-off valve located near the range in an accessible location. Do not block access to the shut-off valve. Refer to the illustration below.

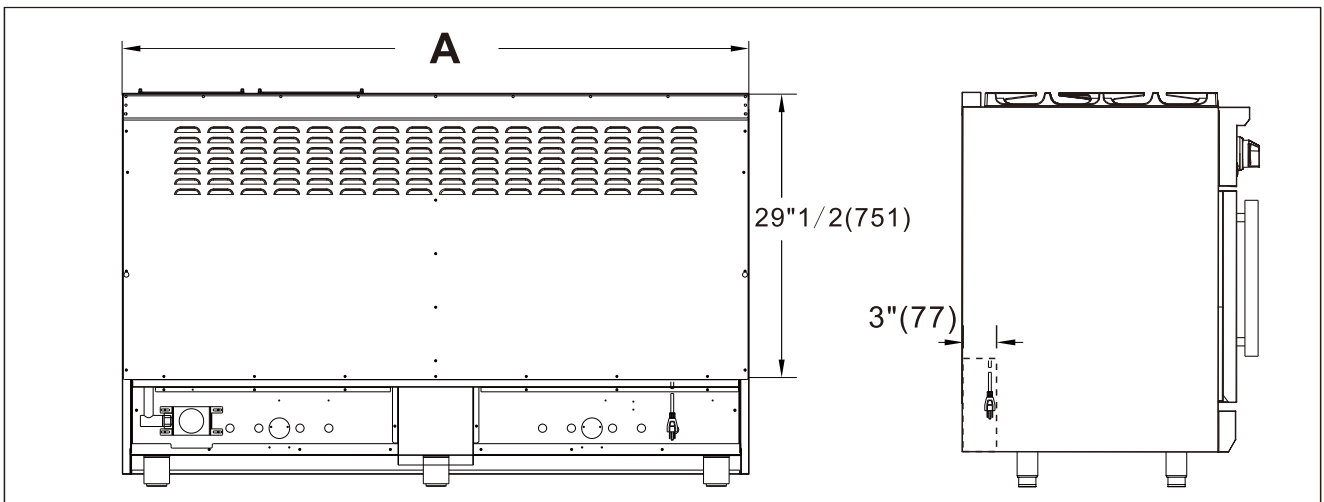
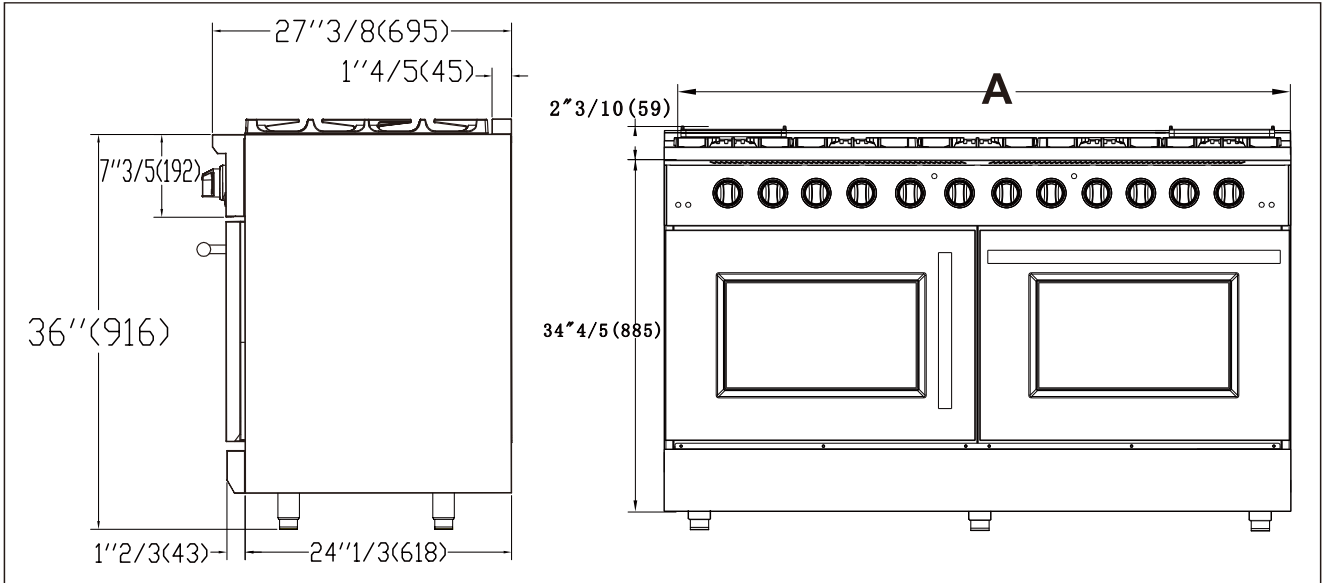
A 3/4" (19 mm) ID gas supply line must be connected to the range. If local codes permit, a certified, 3' (.9 m) long, 1/2" (13 mm) or 3/4" (19 mm) ID flexible metal gas line is recommended to connect the unit's 1/2" NPT (30", 36") or 3/4" NPT (48", 60") female inlet to the gas supply line. Pipe joint compounds suitable for use with natural or LP gas should be used.

The appliance and its shut-off valve must be disconnected from the gas supply piping system during any pressure testing of the system at test pressures equal to or less than 0.5 psi (3.5 kPa).

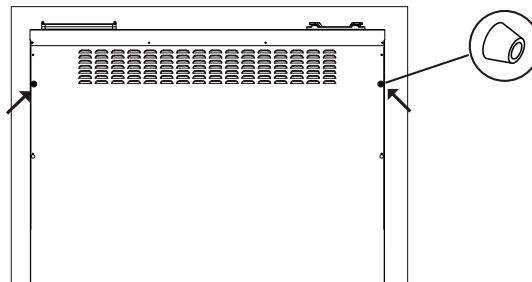
Product Dimensions and Cabinets



This range may be installed directly adjacent to existing countertop-height cabinets (36" or 91.5 cm from the floor). To achieve the best look, the cooktop should be level with the cabinet countertop. This can be accomplished by raising the unit using the adjustment spindles on the legs.



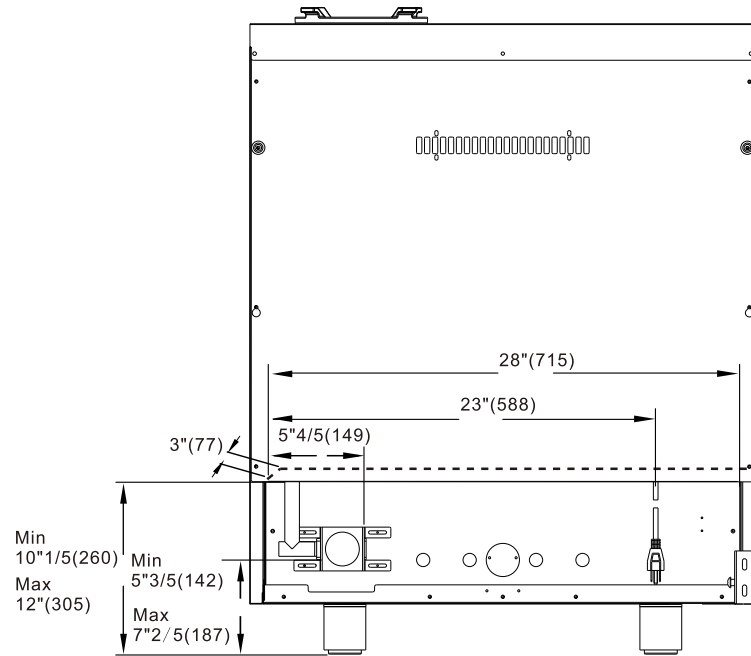
Wall-against mat



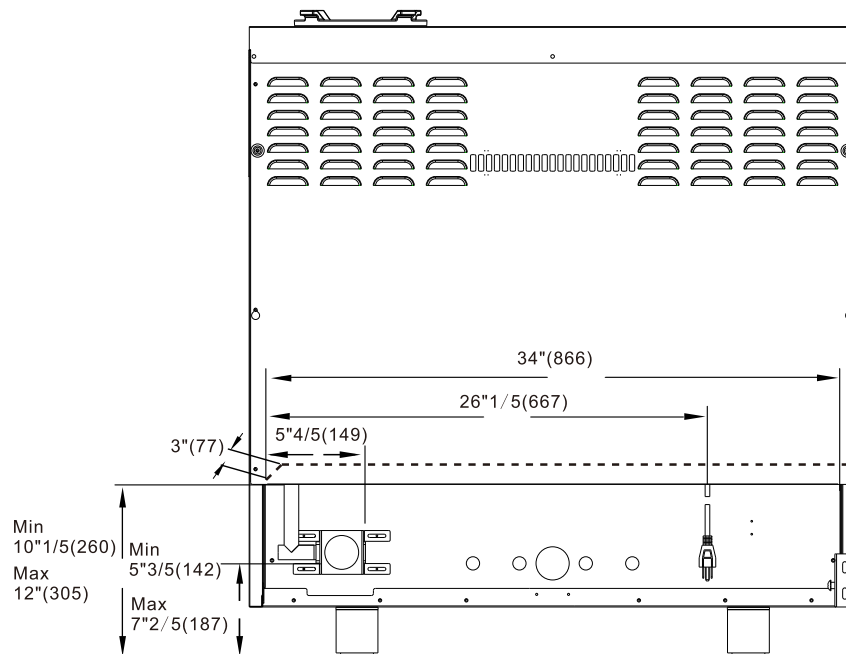
- 1/ Remove the two screws in the back of the range.
- 2/ Install the wall-against mat instead.

| | 30 inch | 36 inch | 48 inch |
|---|-----------|-----------|-----------------|
| A | 30" (763) | 36" (915) | 47" 9/10 (1218) |

Model: FFSGS6439-30

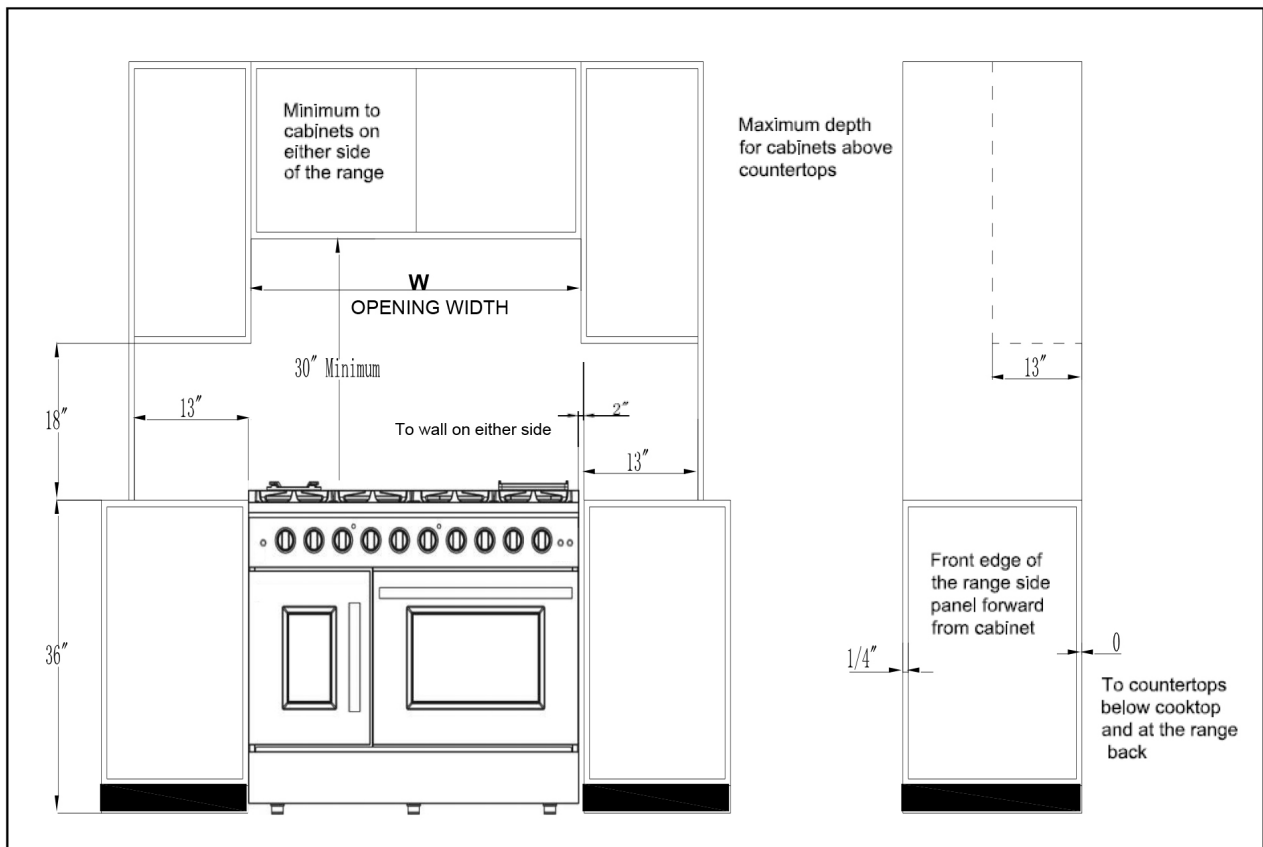
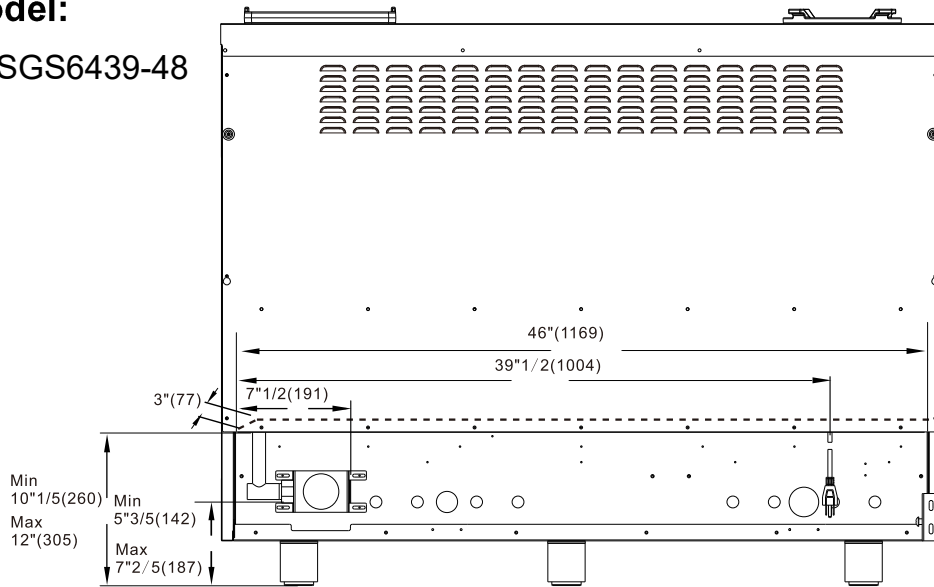


Model: FFSGS6439-36



Model:

FFSGS6439-48



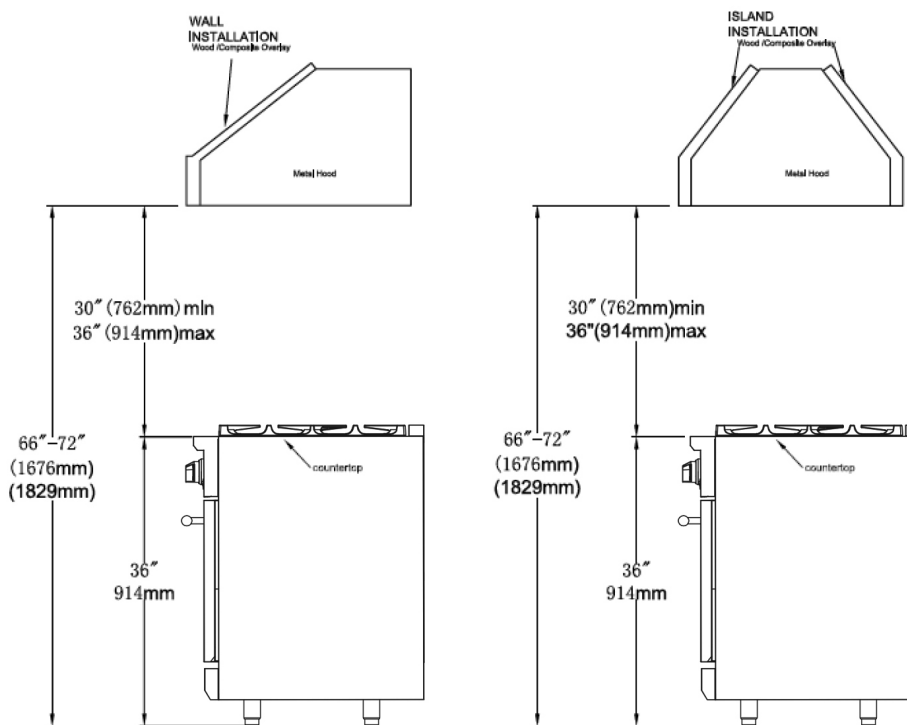
| OPENING WIDTH | W |
|---------------|------------|
| 30" Model | 30" (762) |
| 36" Model | 36" (914) |
| 48" Model | 48" (1219) |

Exhaust Hood Installation

The bottom of the hood should be 30" min. to 36" above the countertop. This would typically result in the bottom of the hood being 66" to 72" above the floor. These dimensions provide safe and efficient operation of the hood.

After Installation:

1. Check ignition of cooktop burners.
2. Check the air shutter adjustment – sharp blue flame, with no yellow tipping or lifting flames.
3. Check ignition of oven burner.
4. Visually check tubular burner (oven burner) re-ignition to be sure both rows of burner ports are relighting each time.
5. Check for gas leaks at all gas connections (using a gas detector, never a flame).
6. Check oven bake and convection bake function.



Gas Conversion Operation

This cooking range can be used with LP gas and NG gas. It is shipped from the factory adjusted for use with NG (Nature Gas). Conversion nozzles are included. Follow the instruction shown below for gas conversion.

⚠️ WARNING Gas conversion shall be conducted by a trained professional.

Contact a local professional to complete this procedure. If this procedure isn't completed by a professional, the warranty can be voided. Forno has the right to ask for a proof (invoice from the professional) when there is signs of an improper conversion.

⚠️ WARNING Before carrying out this operation, disconnect the range from gas and electricity. Fail to do so, may result in fire, or electrical shock hazard can occur and result in injury or death. Do not remove regulator or allow it to turn during servicing.

The gas conversion procedure for this range includes 8 steps:

1. Pressure regulator
2. Cooktop burners
3. Oven burner
4. Broil burner
5. Gas valves
6. Reconnect Gas and Electrical Supply
7. Air shutter oven burner
8. Installation of new rating label

The conversion is not completed if all 8 steps have not been concluded properly.

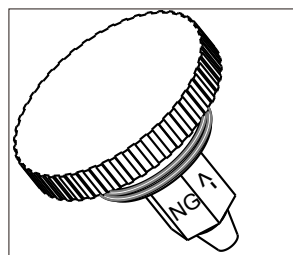
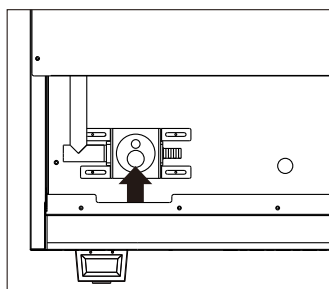
Before performing the gas conversion, locate the package containing the replacement nozzles shipped with every range.

STEP 1: Pressure Regulator

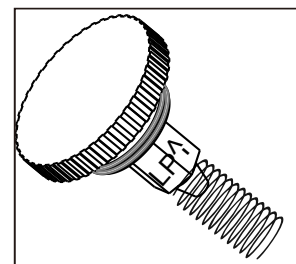
To access the gas regulator, pull the range away from the cabinet wall. The gas regulator is located at the bottom back left corner of the range.

▲WARNING Electrical shock hazard can occur and result in injury or death. Disconnect electrical power to the range before servicing. Do not remove regulator or allow it to turn during servicing.

- a. Unscrew the cap from the regulator.
- b. Unscrew the brass insert from the cap. Do not remove the spring from the brass insert. Rotate the brass insert with the fully extended spring 180° and screw back the brass insert on the cap. Insert the cap with the spring first into the regulator. Make sure the cap is fully tighten on the regulator, if not done correctly a gas leak can occur.



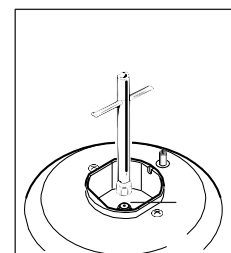
Position NG



Position LP

STEP 2: Cooktop Burners

- a. Remove cooking grates, burner caps and inner burner rings.
- b. Lift off outer burner heads and burner bases.
- c. Remove the factory installed natural gas nozzles from the center of the nozzle holders using a 7mm socket wrench. Replace the LP nozzle in each nozzle holder. Tighten each nozzle until snug. Use caution not to over tighten.

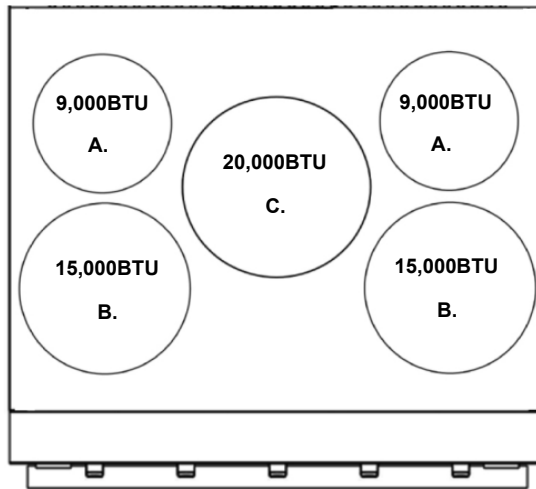


Socket Wrench

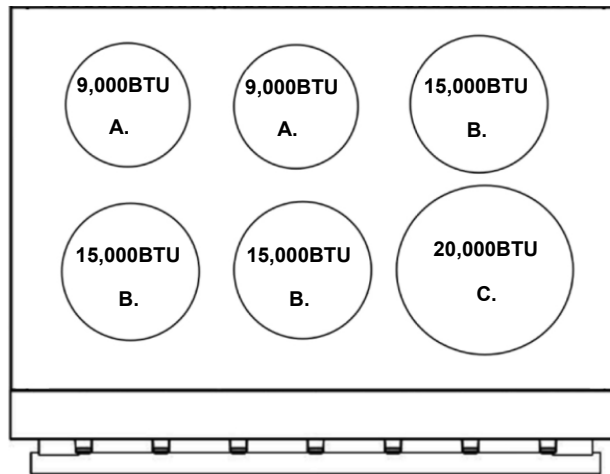
▲CAUTION Care should be taken when removing and replacing gas components. Use proper support to prevent damage to components.

IMPORTANT: Each nozzle has a number indicating its flow diameter printed on the body. Consult the table below for matching nozzles and burners.

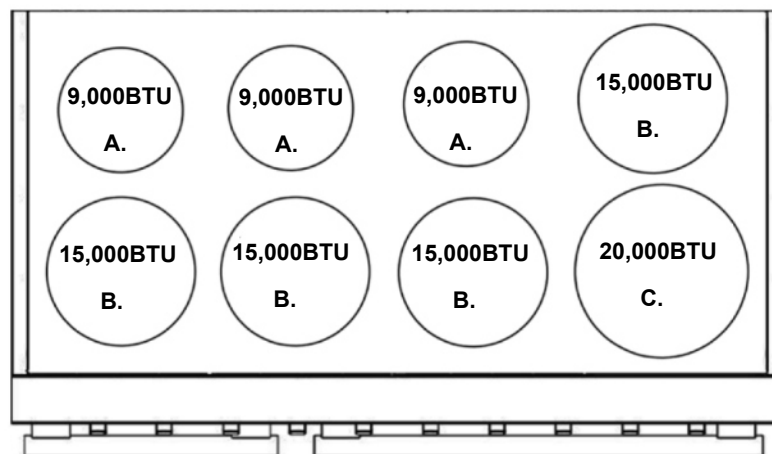
| ORIFICE FOR NATURAL GAS (NG) & LIQUID PROPANE (LP) | COOKTOP BURNERS | | |
|---|-----------------|--------------|---------------------------------------|
| | A. 9,000BTU | B. 15,000BTU | C. 20,000BTU |
| NG | 1.33 | 1.75 | 1.38 x 2 (OUTER) 0.75 x 1 (CENTER) |
| LP | 0.93 | 1.18 | 0.9 x 2 (OUTER) 0.46 x 1 (CENTER) |



Model:FFSGS6439-30



Model:FFSGS6439-36



Model:FFSGS6439-48

IMPORTANT: Save the nozzles removed from the range for future use.

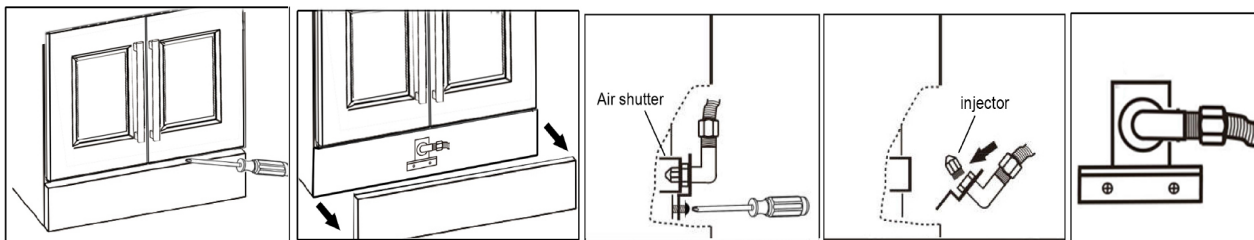
STEP 3: Oven Burner

a. Remove 3 screws between the kick panel and the oven door . Hold the toe kick panel on both ends and slowly pull away towards the front.

b. Remove 2 screws which holding the nozzle bracket and locate the nozzle.

Replace with oven burner nozzle, size 1.32mm and tighten. Replace the nozzle bracket, aligning the new nozzle into the air shutter of the oven burner.

Repeat upon steps for 18"oven (48" ranges only).

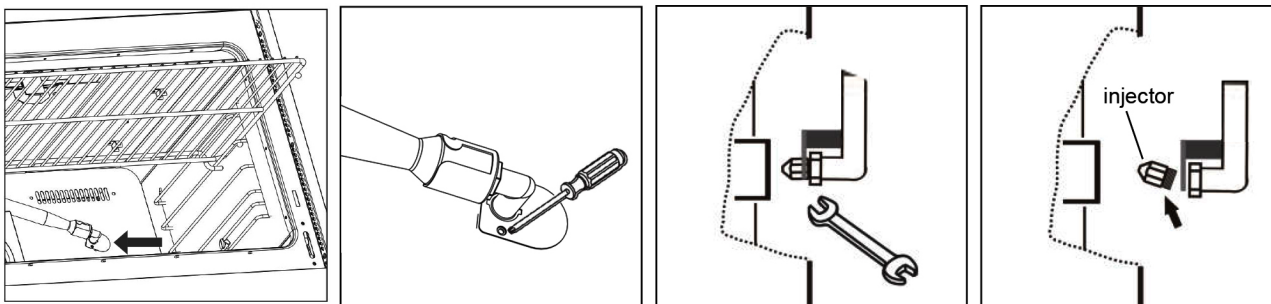


| | | Model:FFSGS6439-30 | Model:FFSGS6439-36 | Model:FFSGS6439-48 |
|----------|-----|--------------------|--------------------|--------------------|
| Oven | NG | 2.2 | 2.2 | 2.2 |
| | LPG | 1.39 | 1.39 | 1.39 |
| 18" Oven | NG | | | 1.7 |
| | LPG | | | 1.12 |

STEP 4: Broil Burner

a. Remove 2 screws which fixing the nozzle bracket and locate the nozzle.

b. Using a 5/8" or 19mm open wrench, remove the gas line from the nozzle holder. Using a 1/2" open wrench, remove the nozzle from the orifice holder. Replace with 0.94 mm oven broiler nozzle.



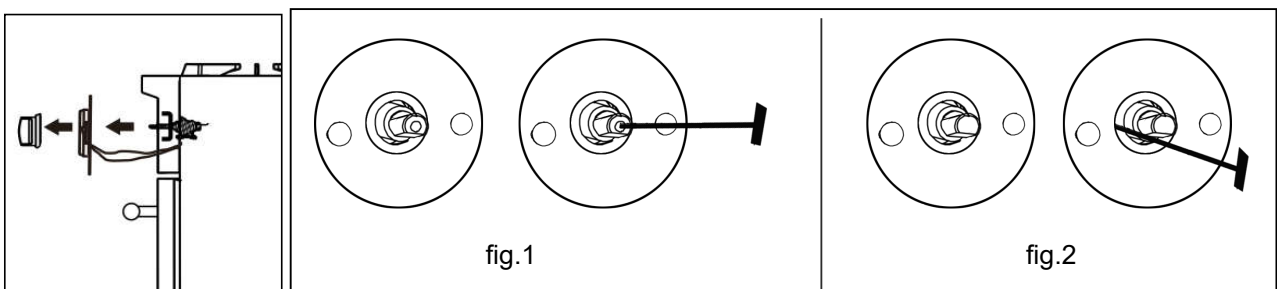
| | | Model:FFSGS6439-30 | Model:FFSGS6439-36 | Model:FFSGS6439-48 |
|-------|-----|--------------------|--------------------|--------------------|
| Broil | NG | 1.38 | 1.38 | 1.38 |
| | LPG | 0.94 | 0.94 | 0.94 |

STEP 5: Gas Valve

a. Remove control knobs.

b. Using a flat screwdriver, adjust main burner bypass jets toward to 1/4 circle for LP until the flame is normal. For 9,000btu and 15,000btu burners, please refer to fig.1, which is in the center of valve axis. For 20,000btu burners, please refer to fig.2, which is in the left side of valve axis.

PLEASE NOTE: If the bypass jets screw is tighten too much, the igniter will go ON when burner is set to minimum because the gas outlet is too low.

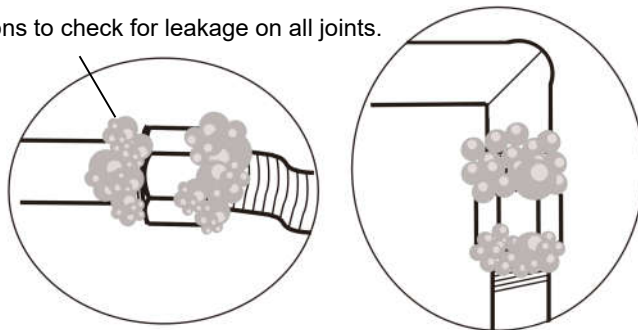


STEP 6: Reconnect Gas and Electrical Supply

Leak testing of the range shall be conducted according to the installation instructions provided with the range.

Before operating the range after the gas conversion, always check for leaks with a soapy water solution or other acceptable method in at gas connections installed between the gas inlet pipe of the range, gas regulator, and the manual shut-off valve.

Use soapy solutions to check for leakage on all joints.



⚠ WARNING DO NOT use a flame to check for gas leaks!

STEP 7: Air Shutter Oven Burner (no necessary)

The air shutter for the oven burner may need adjustment, especially if the unit has been converted for use with LP. The approximate flame height at the oven burner is one inch (distinctive inner blue flame).

To determine if the oven burner flame is acceptable:

- a. With the kick plate removed, set the oven to bake at 350° F and observe the flame. If the flame yellow in color, increase the air shutter opening size. If the flame is blue and lifting away from the burner, reduce the air shutter opening size.
- b. Turn off the oven and allow it to cool before adjusting the air shutter. To adjust, loosen the lock screw, reposition the air shutter and tighten the lock screw. Retest the burner by repeating the steps above. When the burner flame is a distinct blue colour and burning steadily, the air shutter is adjusted correctly.

STEP 8: Installation of New Rating Label

Record the model and serial number on the LP / Propane Rating serial plate provided in this kit. The information can be obtained from the existing Rating / Serial plate. Place the new plate as close as possible to the existing Rating / Serial plate on the range.

Preparation

Before moving the range, protect any finished flooring and secure oven door(s) closed to prevent damage.

The oven door(s) can be removed to lighten the load or to fit the unit through a doorway. Only remove if necessary. Do not remove the griddle or any other component. Door removal should only be done by a certified installer or service technician.

Placement

Do not lift or carry the oven door by the door handle.

Use an appliance dolly to move the range near the opening. Remove and recycle packing materials. Do not discard the anti-tip bracket supplied with the range.

Leveling

Raise the range to the desired height by adjusting the legs. The legs can be adjusted by rotating the metal leg clockwise to raise and counter clockwise to lower.

Anti-Tip Bracket

To prevent the range from tipping forward, the anti-tip bracket must be installed. Refer to the illustration on page 5.

Gas Supply Connection

All connections to the gas piping must be wrench-tightened. Do not overtighten or allow pipes to turn when tightening.

When all connections have been made, check that all range controls are in the “OFF” position and turn on the main gas supply valve.

If a flexible metal connector is being used, verify it is not kinked, then attach the gas supply line to the regulator on the range. Open the valve and check for leaks by placing a liquid detergent solution onto all gas connections. Bubbles around connections indicate a gas leak. If a leak appears, close the shut-off valve and adjust connections.

Leak testing of the appliance shall be conducted according to the manufacture’s instructions .Use some soap water (50% water and 50% soap) or a leak detector at all joints and connections to check for leaks in the system. Do not use a flame to check for gas leaks.

The appliance must be isolated from the building’s gas supply piping system by closing its individual manual shut-off valve during any pressure testing of the gas supply piping system at test pressure equal to or less than 0.5 psi (3.5kPa).

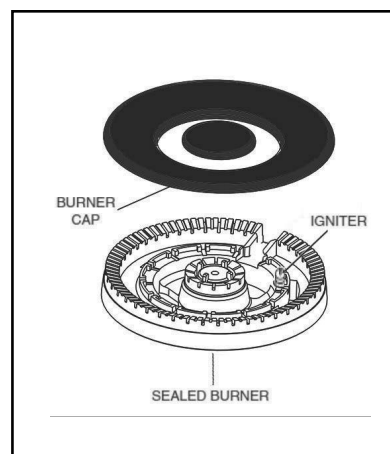
Getting Started

Before you start cooking, please take the following steps.

- Remove the exterior and interior packing.
- Remove the protective film on steel and aluminum parts.
- Clean the range thoroughly with hot water and a mild detergent. Rinse and dry with a soft cloth to remove any residual oil and grease left over from the manufacturing process.
- Check that surface burner components are assembled correctly.
- Furnish the interior of the oven by inserting the shelves and tray.

Cooktop Operation

The burner design combines all burner parts in one assembly. The burner cap must be seated horizontally on the burner. Refer to the illustration.



Ignition

To light up the cooktop burners, push and turn the appropriate control knob counter clockwise to “Hi” position. You will hear a clicking noise –the sound of ignition pin sparking.

Once burner ignition has been achieved, turn the burner control knob to adjust to desired flame intensity.

Heat Settings:

| | |
|------------|--|
| Hi | Ignites the burners. |
| Simmer | Melting small quantities, steaming rice, warming food, melting chocolate or butter. |
| Low | Melting large quantities. |
| Low-Medium | Low-temperature frying, simmering large quantities, heating milk, cream sauces, gravies. |
| Medium | Sautéing and browning, braising, pan-frying, maintaining slow boil on large quantities. |
| Medium-Hi | High-temperature frying, pan boiling, maintaining slow boil on large quantities. |
| Hi | Boiling liquid quickly, deep frying. |

▲CAUTION Never leave pans on a high setting unattended. Be careful when cooking food in fat or grease; it can become hot enough to ignite.

Simmer and Boil

A smaller flame will give the best results when simmering. Small flames offer precise cooking performance for delicate foods, keeping food warm, melting chocolate or butter, and for cooking over low heat for long period of time.

The highest (larger) flame settings provide the maximum heat that is available on your range. This setting should be used for heavy cooking jobs such as boiling water and cooking pastas.

Please Note: Only the 20,000BTU burner can reach a simmer flame to the minimum setting.

Flame Size

- When you select the flame size, watch the flame when you turn the knob.
- Any flame larger than the bottom of the cookware is wasted.
- The flame should be steady and blue in color. Foreign material in the gas line may cause an orange flame during initial operation.

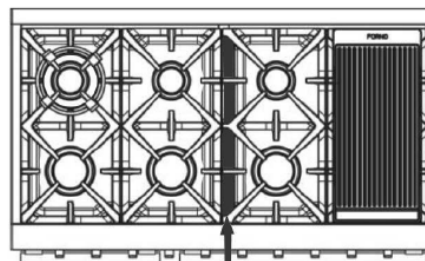
Power Failure

- If the gas does not ignite within four seconds, turn off the valve and allow at least five minutes for any gas to dissipate. Repeat the lighting procedure.
- In the event of a power failure, the surface burners can be lighted manually. Hold a lighted match near a burner and turn the knob counter-clockwise to "HI". After burner lights, turn knob to the desired setting.

Burner Grates

1. The grills must be properly positioned before cooking. Improper installation of the grills may result in scratching of the cooktop and / or poor combustion.
2. Do not operate the burners without a pan or utensil on the grills.

NOTE: On the 48" unit, there's a total of 4 grates, 3 that are the same and one unique slightly wider than the others. The unique grate has one side wider than the other. The wider side needs to over lap the middle junction of the cooktop, creating one continuous grate.

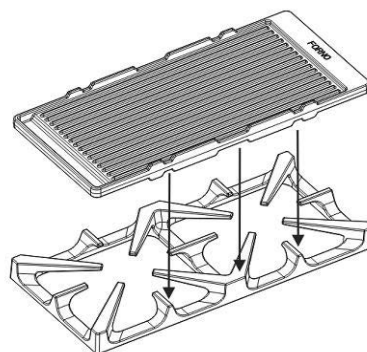


48"

Griddle Operation (Available on the 48" models)

Before Using the Griddle

1. Clean the griddle thoroughly with warm, soapy water to remove dust or any protective coating.
2. Rinse with clean water and wipe off to dry with soft, clean, lint-free towel/cloth.



Use of the Cook plate (Griddle)

Your **FORNO** range may have come with a standard reversible grill/griddle. For best use and results please read below.

Pre-heat gently - Because the FORNO grill/griddle is so large it can take time for it to heat evenly. Once it's up to temp it will stay there for a long time! We recommend starting with your range set to low heat and gradually increasing the heat until you get to your target temp. It's easier to make a grill hotter once it's already warmed up, by pre-heating slowly you can control the heat more easily. To be efficient with your time you can start the pre-heating process while you're getting your ingredients together. It typically takes 10-15 minutes to completely pre-heat the FORNO grill/griddle this when pre-heating in this manner. Then enjoy your cooking experience on the FORNO grill/griddle

Start low and don't overheat! - You might get the urge to turn your burners up to full blast the first time you use the FORNO grill/griddle, but don't! Burners only need to be set to 1/3 to 1/2 power to heat the grill/griddle to over 500 degrees. Most chefs agree that the maximum cooking temperature you'll ever need is 500-550 degrees for searing a steak.

⚠ CAUTION The surface of the griddle is hot after use. Please allow sufficient time for the griddle to cool prior to cleaning.

Cooktop Cleaning Tips

- To prevent the cooktop from discoloring or staining, clean cooktop after each use, and wipe up acidic or sugary spills as soon as the cooktop has cooled.
- The sealed burners of your range are not secured to the cooktop and are designed to be removed. Boil overs or spills will not seep underneath the cooktop. The burners should be cleaned after each use.

Oven Light

The oven light is controlled by a push switch on the control panel. The light can be used while cooking or cleaning the oven.

⚠ WARNING Check that power is disconnected from the electrical box before replacing the light bulb. Allow the oven to cool completely, then unscrew the light cover and remove the light bulb by unscrewing it from the socket. Replace with a 40-watt halogen bulb.

LED Light Switch

Use the LED light switch to turn on the LED lights when the room becomes dark.

Oven Operation

Oven Baking Tips

1. Never cover any slots, holes or passages in the oven bottom or cover an entire rack with materials such as aluminum foil. Doing so blocks air flow through the oven and may cause carbon monoxide poisoning. The aluminum foil lining may also trap heat, causing a fire hazard. Do not use aluminum foil on any porcelain surface. Doing so will damage the porcelain and affect its durability.

Note: Damages caused by material left on the porcelain will not be covered by the warranty.

2. Position the racks before preheating the oven.

3. Reduce the oven temperature 25°F (14°C) when cooking in heat-proof glass or glass ceramic dishes.

Preheating

Allow the oven to preheat before placing food in the oven. Preheating is necessary for good results when baking cakes, cookies, pastry and breads.

Remove any cookware before preheating with the oven burner or the infrared broiler. Foods will stick on hot metal. To preheat, turn the “Oven” selector knob to the desired temperature. Wait for the red light indicator to turn off before placing your food inside the oven.

Note: Condensation or fogging on the inside of the oven door glass is normal while preheating and it will usually evaporate by the end of the preheating cycle.

Oven Function

Natural Airflow Bake occurs when heat is transferred into the oven from the bake burners in the bottom of the oven cavity. Heat is then circulated by natural airflow. This is a traditional bake setting.

Convection Bake

Heat is transferred from the bake burners in the bottom of the oven cavity to the oven cavity itself. The convection fan at the rear of the oven then circulates it. This convection process provides a more even heat distribution throughout the oven cavity.

Using multiple racks is possible for large-batch baking. Convection cooking is faster, can be done at lower temperatures and provides more even temperatures than regular cooking.

Convection Roast

The convection fan circulates the heated air evenly over and around the food. Using a broiler pan, heated air will be circulated over the around the food being roasted. The heated air seals in juices quickly for a moist and tender product, while at the same time creating a rich golden brown exterior. When convection roasting, it is important that you use the broiler pan for best convection roasting results. The pan is used to catch grease spills and has a cover to prevent grease splatters.

Broiler Operation

Note: Door must be closed during broiling operation.

The broil burner is located at the top of the oven. This burner heats the metal screen until it glows.

The glowing screen produces heat, searing the outside of broiled foods and sealing in juices. Broiling is a method of cooking tender cuts of meat directly under the broiler in the oven.

Oven broiling is done with the oven door closed. It is normal and even necessary to have some smoke to give the food a broiled flavor.

Setting Broil

The “Oven” selector knob controls the Broil feature. When broiling, heat radiates downward from the oven broiler for even coverage. The Broil feature temperature is 500°F (260°C).

Used together, the broil pan (**not provided**) and insert allow dripping grease to drain and be kept away from the high heat of the oven broiler. **DO NOT** use the broil pan without the insert (**not provided**). **DO NOT** cover the broil pan insert with foil. The exposed grease could catch fire.

To set the oven to Broil:

1. Place the broiler pan insert on the broiler pan. Then place the food on the broiler pan insert.
2. Arrange the interior oven rack and place the broiler pan on the rack. Be sure to center the broiler pan and position it directly under the broil burner. If preheating the broil burner first, position the broiler pan after the broil burner is preheated.
3. Turn the function knob to Broil.

The oven indicator light will remain on until the oven function knob is turned to the off position or the temperature control cycles off.

Position the rack at the correct level. The farther away the food is from the broiler, the more well done it will be inside. Preheating the oven is necessary. Push in and turn the knob to BROIL.

Turn the food over at the halfway point. Always pull the rack out to the “stop” position before turning or removing food.

Oven Cleaning Tips

1. After each use, and once cooled, clean splatters and spills immediately.
2. Do not allow foods with a high sugar or acid content to remain on the oven cavity surface.
3. Use an oven cleaner to clean the oven cavity.

Oven Thermostat & Cooking times

The numbers printed on the control panel indicate the increasing oven temperature value (°F). To regulate the temperature, set the desired number on the control knob indicator.

Note: The BROIL position is only to turn on the broil burner.

Cooking times can vary according to the type of food, its density and its size. It is advisable to watch when cooking for the first time and to check results since similar results are obtained when preparing the same dishes under the same conditions.


Use the thermostat to control the temperatures, and control the time according to the cooking guides.

Care and Cleaning Recommendations

| | |
|-----------------|--|
| Stainless steel | Use a non-abrasive stainless steel cleaner and apply with a soft lint-free cloth. To bring out the natural luster, lightly wipe surface with a water-dampened microfiber cloth followed by a dry polishing cloth. Always follow the grain of stainless steel. |
| Burner grates | Remove and place on a flat surface near the sink. Clean with hot water and mild detergent or paste of baking soda and water. Do not immerse in water. Towel dry and rub lightly with olive oil. This help the grates keeping their shine and avoid any rust from appearing. Any leftover of water on the grates might result in rust or marks. |
| Burner pan | Remove surface debris before cleaning to help speed up the cleaning process and decrease the chance of scratching the surface during cleaning. Using mild abrasive cleaners or spray degreasers, clean and rinse the surface and dry immediately to avoid streaking. To clean hard water stains, use white vinegar and water. Rinse and dry immediately. |
| Surface burners | To clean hard water stains, use white vinegar and water. Rinse and dry immediately. Allow to cool. Use mild detergent or spray degreaser to clean. Rinse with water and towel dry. NOTE: Pro-style gas range require a high level of maintenance, if the orifices are clog or that the burners dirty, they might stop working. If it's the case, remove them from, clean them thoroughly and remove any excess of water. Forno is not responsible for any maintenance related issues. |
| Control knobs | Using a damp cloth, wipe with a mild detergent or spray degreaser; rinse and dry. Do not place in dishwasher. |
| Oven interior | Use mild abrasive cleaners, spray degreasers. Use a razor blade to gently lift baked on foods from oven cavity and window. For stubborn stains, spray with a mild abrasive cleaner or spray degreaser. Wash the entire oven cavity with soap and water to remove all cleaning chemicals. |
| Oven racks | To clean the upper rack, use mild detergent and a scouring pad. Rinse and dry. To clean the bottom pan, discard grease and wash with hot water and mild detergent. Rinse and dry. The stainless steel upper rack is dishwasher safe. However, do not place the porcelain-coated rack or pan in dishwasher. |

Troubleshooting Tips

Before you call for service

| | |
|---|--|
| Range does not operate | <p>Check that power is on.</p> <p>Check that electrical power to range and home circuit breaker is on.</p> |
| Burners Do Not Light Or Spark Randomly | <p>Electrical plug is not plugged into a live power outlet.</p> <p>Gas supply not turned on.</p> <p>Burner parts not replaced correctly.</p> <p>Holes in the simmer rings or slits in the burner rings are clogged.</p> <p>Clogged nozzles, or wet burners or electrodes.</p> <p>A fuse in your home may be blown or circuit breaker tripped.</p> |
| Burners Have Yellow Or Yellow-Tipped Flames | <p>Burner parts not replaced correctly.</p> <p>A. Yellow flames: Call for service.</p> <p>B. Yellow tips on outer cones: Normal for propane (LP) gas.</p> <p>C. Soft blue flames: Normal for natural gas.</p>  <p>If burner flames look like (A), call for service. Normal burner flames should look like (B) or (C), depending on the type of gas.</p> |
| Burner Flames Very Large Or Yellow | The range may be connected to the wrong fuel type. Contact the person who installed your range or made the conversion. |
| Burner Flames Contain Orange Flickers | Airborne dust; cool-mist humidifier; debris on or inside burner. |
| Oven Lights Do Not Work | The light bulb is defective. Replace the bulb. |
| Oven Racks Are Hard To Slide | Do not spray with a cooking spray or other lubricant sprays. See Full extension oven racks in the Care and Cleaning section. |
| Food Does Not Bake Or Roast Properly | <p>The oven controls are improperly set. See the Baking or Roasting section.</p> <p>Oven not preheated for a long enough time.</p> |

| | |
|---|--|
| | <p>Incorrect cookware or cookware of improper size being used.</p> <p>Racks in the wrong position. See the Baking or Roasting section.</p> <p>Use a foil tent to slow down browning during roasting.</p> <p>Oven thermostat needs adjustment. See the Oven thermostat adjustment section.</p> |
| Food Does Not Broil Properly | <p>This model is designed for closed door broiling only. Close the door. Always broil with the door closed.</p> <p>The oven controls are not set at BROIL. See the Broiling section.</p> <p>Improper rack position.</p> <p>Cookware is not suited for broiling. Use the broiling pan and rack that came with your oven.</p> <p>Aluminum foil used on the broiling pan and rack has not been fitted properly and slit as recommended.</p> |
| Oven Temperature Too Hot Or Too Cold | <p>Need to adjust the oven knob temperature setting.</p> |
| Steam From The Vent | <p>When using the convection mode, it is normal to see steam coming out of the oven vent. As the number of racks or amount of food being cooked increases, the amount of visible steam will increase.</p> |
| Burning Or Oily Odor Emitting From The Vent | <p>This is normal in a new oven and will disappear in time.</p> |
| Strong Odor | <p>This is temporary. An odour caused by the insulation around the inside of the oven is normal for the first few times the oven is used.</p> |
| Convection Fan Not On All The Time | <p>The convection fan (depending on the function you are using) may cycle on and off until the function is over or the door is opened for optimized performance.</p> <p>This is normal. In addition, the convection fan may cycle in the clockwise and counter clockwise direction until the function is over or the door is opened.</p> |
| Condensation Or Fogging On The Inside of the Door Glass | <p>Condensation or fogging on the inside of the oven door glass is normal during the preheating of the oven and will evaporate usually by the end of the preheating cycle.</p> |
| Cracking Or Popping Sound During Cleaning | <p>This is normal. This is the sound of the metal heating and cooling during both the cooking and cleaning functions.</p> |
| Excessive Smoking Occurs During Cleaning | <p>The oven is heavily soiled. Turn the Oven Mode Selector and the Temperature knobs to OFF. Open the windows to rid the room of smoke. Wait until the locked door indicator light goes off. Wipe up excess soil and do the cleaning again.</p> |

PLEASE READ BEFORE USING YOUR OVEN



For Forno Commercial Style Ranges Models:
FFSGS6444, FFSGS6356, FFSGS6460, FFSGS6387,
FFSGS6439, FFSGS6325

Useful information for your oven:

- This oven is very powerful.
- To avoid burns, please use oven mitts when manipulation oven racks and be careful not to touch the oven door when in use.
- All knobs may reach 123F when oven is in use – although the standard regulations is max 148F please handle with care.
- For better Broil efficiency, pre-heat to 500F for 8 Minutes.

Cooking tips:

1- Pizza: Place rack on bottom level at 375F for 16 minutes then broil 2 to 3 minutes on top level.

2- Vegetables: Place rack second from bottom at 350F for 14 to 17 minutes.

3- Place rack on middle level at 350F for:

Fish: 4 to 6 minutes

Meats 10oz: 9-14 minutes

Chicken 8oz: 14-19 minutes

4- Turkey and Braised Meats:

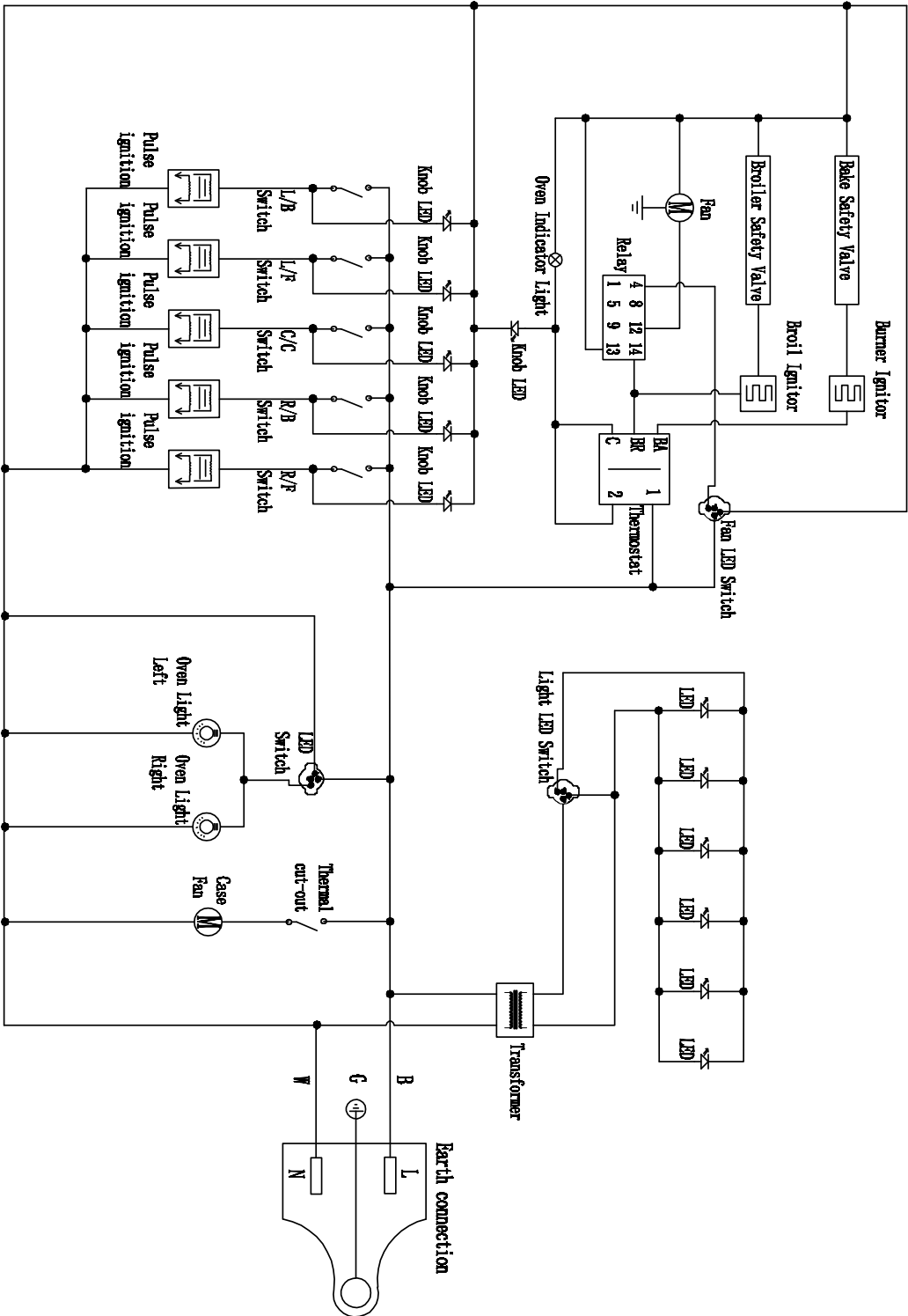
Place rack at bottom level at 350F, no need to rise the cooking temperature above 350F for the first 20 minutes.

forno.ca
1-866-231-8893
info@forno.ca



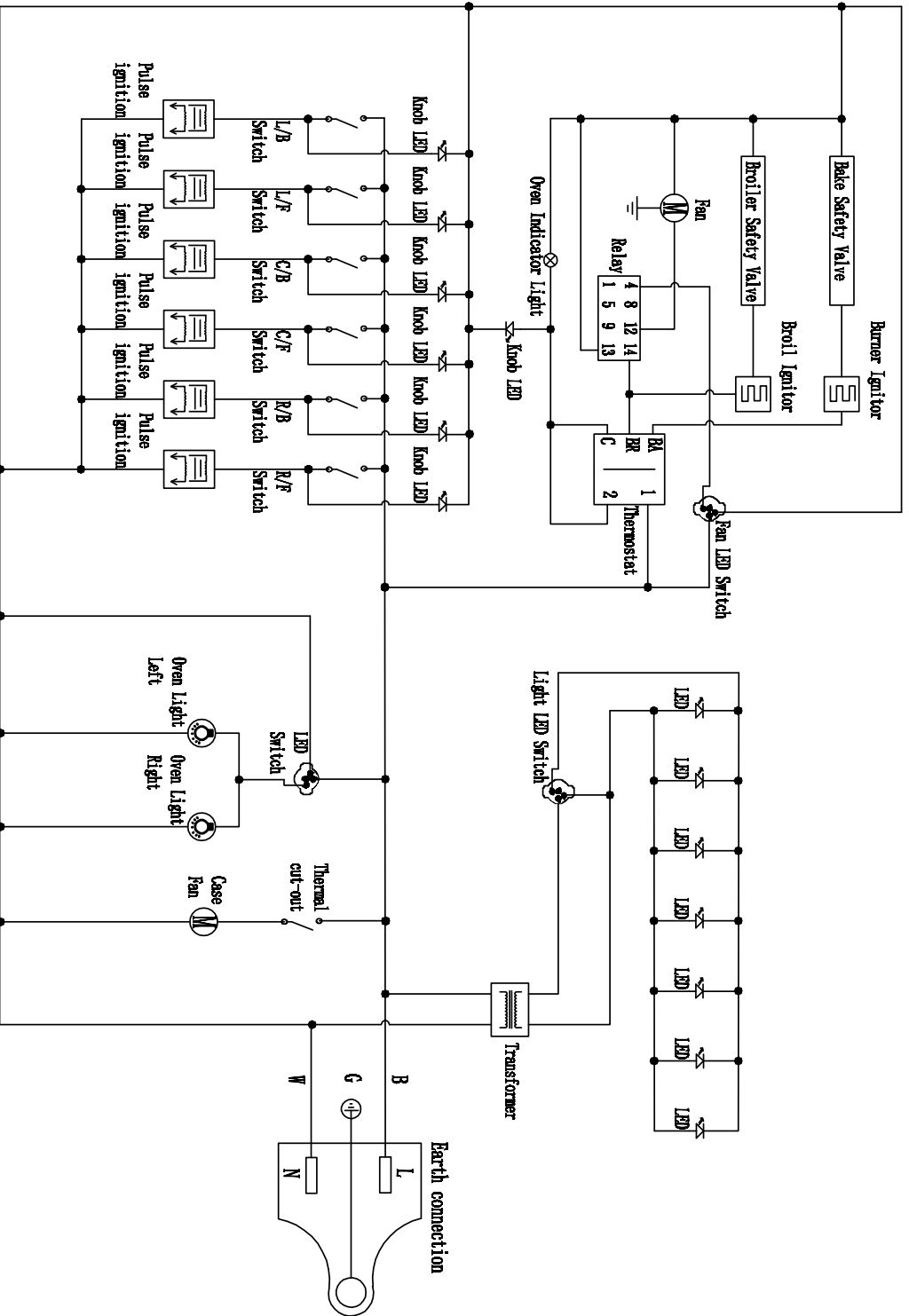
Wire Diagram

FFSGS6439-30



Caution: Label all wires prior to disconnection when servicing controls. Wiring errors can cause improper and dangerous operation. Verify proper operation after servicing.

FFSGS6439-36



Caution: Label all wires prior to disconnection when servicing controls. Wiring errors can cause improper and dangerous operation. Verify proper operation after servicing.



CUISINIÈRE AUTOPORTANTE AU GAZ À PORTES FRANÇAISES



**GUIDE D'INSTALLATION
SPÉCIFICATIONS, INSTALLATION ET PLUS**

NUMÉROS DE MODÈLE

| | | |
|---|---|---|
|  |  |  |
| FFSGS6439-30 | FFSGS6439-36 | FFSGS6439-48 |

| Contenu | |
|--|----|
| Service à la clientèle | 3 |
| Garantie | 4 |
| Information pour le client | 6 |
| Informations De Sécurité Importantes | 8 |
| Fonctionnalités de votre cuisinière | 12 |
| Consignes d'installation | 13 |
| Installation de la poignée de porte | 14 |
| Installation des grilles de brûleur de la table de cuisson | 15 |
| Installation des grilles du four | 15 |
| Electrique | 16 |
| Alimentation en gaz | 16 |
| Régulateur de pression | 17 |
| Vanne d'arrêt de gaz | 17 |
| Dimensions du produit et des armoires | 18 |
| Installation de la hotte d'aspiration | 22 |
| Opération de conversion de gaz | 22 |
| Raccord d'alimentation en gaz | 28 |
| Fonctionnement de la table de cuisson | 28 |
| Allumage | 28 |
| Mijoter et bouillir | 29 |
| Grilles de brûleur | 30 |
| Utilisation de la grille chauffante | 30 |
| Conseils de nettoyage de la table de cuisson | 30 |
| Lumière du four | 30 |
| Interrupteur d'éclairage à DEL | 30 |
| Fonctionnement du four | |
| Préchauffage | 31 |
| Cuisson par convection | 31 |
| Rôtissage par convection | 31 |
| Fonctionnement du grilloir | |
| Réglage du grilloir | 32 |
| Conseils de nettoyage du four | 32 |
| Thermostat du four et temps de cuisson | 32 |
| Recommandation d'entretien et de nettoyage | 33 |
| Conseils de dépannage | 34 |
| À lire avant d'utiliser votre four | 36 |
| Diagrammes de câblage | 37 |

SERVICE À LA CLIENTÈLE

Merci d'avoir acheté un produit **FORNO**. Veuillez lire le manuel d'utilisation en entier avant la première utilisation. Que vous soyez un utilisateur occasionnel ou averti, vous aurez avantage à vous familiariser avec les mesures de sécurité, les caractéristiques, le fonctionnement et les recommandations d'entretien et de nettoyage de votre appareil.

Le numéro de modèle et le numéro de série sont indiqués à l'intérieur de l'appareil. Pour fins de garantie, vous aurez besoin du numéro de série, de la date d'achat et d'une copie de votre preuve d'achat. Notez l'information ci-dessous pour référence ultérieure.

INFORMATION À FOURNIR POUR TOUTE RÉPARATION

Numéro de modèle :

Utilisez ces numéros pour toute correspondance ou pour tout appel au service des réparations concernant votre appareil.

Numéro de série :

Si vous avez reçu un appareil endommagé, communiquez immédiatement **FORNO**.

Date d'achat :

Économisez temps et argent. Avant tout appel de réparation, vérifiez le guide de dépannage. Vous y trouverez une liste des causes de problèmes mineurs que vous pouvez réparer vous-même.

Adresse et numéro de téléphone où l'appareil a été acheté :

POUR UNE RÉPARATION AU CANADA & AUX ÉTATS-UNIS :

Conservez ce manuel d'instruction à portée de main si vous avez des doutes. Vous pouvez retrouver tous les informations en ligne www.forno.ca.

Pour plus de précision ou si vous avez besoin d'aide, veuillez communiquer avec notre service à la clientèle à : info@forno.ca

En cas de problème, veuillez contacter le service client FORNO. Veuillez noter que le "*troubleshooting*" avec un représentant du service à la clientèle sera nécessaire avant de pouvoir envoyer un technicien. Tous les travaux sous garantie doivent être autorisés par le service client FORNO. Tous nos prestataires de services agréés sont soigneusement sélectionnés et rigoureusement formés par FORNO.

GARANTIE

Ce que couvre cette garantie limitée :

La couverture de garantie fournie par Forno dans cette déclaration s'applique exclusivement à l'appareil ("Produit") vendu au consommateur ("Acheteur") par un revendeur/distributeur/détaillant agréé Forno, acheté et installé aux États-Unis ou au Canada, et qui est toujours resté dans l'original pays d'achat (États-Unis ou Canada). La couverture de la garantie est activée à la date de l'achat au détail original et a une durée de deux(2) ans.

La couverture de la garantie n'est pas transférable. En cas de remplacement de pièces ou de l'ensemble du produit, le produit (ou les pièces) de remplacement assumera le reste de la garantie d'origine activée avec la preuve d'achat d'origine. Cette garantie ne sera pas prolongée en ce qui concerne un tel remplacement. Forno réparera ou remplacera toute composante/pièce qui tombe en panne ou s'avère défectueuse en raison de matériaux et/ou de fabrication dans les 2 ans suivant la date de l'achat initial au détail et dans des conditions d'habitation ordinaire, usage non commercial. La réparation ou le remplacement sera gratuit, y compris la main-d'œuvre aux tarifs standard et l'expédition dépenses. L'acheteur est responsable de rendre le produit raisonnablement accessible pour le service. Service de réparation doit être effectuée par une société de service agréée Forno pendant les heures normales de travail.

IMPORTANT

Conservez la preuve d'achat originale pour établir la période de garantie. La responsabilité de Forno pour toute réclamation de quelque nature que ce soit, avec en ce qui concerne les biens et/ou services fournis, ne doit en aucun cas dépasser la valeur des biens ou services ou de la partie qui a donné lieu à la réclamation.

Garantie cosmétique de 30 jours

L'Acheteur doit inspecter le produit au moment de la livraison. Forno garantit que le produit est exempté de défauts de fabrication dans les matériaux et la fabrication pendant une période de trente (30) jours à compter de la date de vente au détail d'origine l'achat du Produit.

Cette couverture comprend :

- Taches de peinture
- Écorchures
- Défauts de finition macroscopiques

La garantie cosmétique ne couvre PAS :

Problèmes résultant d'un transport, d'une manipulation et/ou d'une installation incorrecte (par exemple : bosses, cassés, déformés ou structures déformés ou composants, composants en verre fissurés ou autrement endommagés) ;

Légères variations de couleur sur les composants peints/émaillés ;

Les différences causées par l'éclairage naturel ou artificiel, l'emplacement ou d'autres facteurs analogues ;

Taches/corrosion/décoloration causées par des substances externes et/ou des facteurs environnementaux ;

Coûts de main-d'œuvre, présentoir, plancher, stock B, appareils prêts à l'emploi, « tels quels » et unités de démonstration.

Comment recevoir le service

Pour bénéficier des services de garantie, l'acheteur doit contacter le service d'assistance de Forno afin de déterminer le problème et les procédures de service requises. Le « Troubleshooting » avec un représentant du service à la clientèle sera nécessaire avant d'aller de l'avant avec le service. Numéro de modèle, numéro de série et date de vente au détail d'origine l'achat sera demandé.

Exclusions de garantie : Ce qui n'est pas couvert.

> L'utilisation du produit dans tout lieu non résidentiel, application commerciale. Utilisation du Produit pour autre chose que son but visé.

> Services de réparation fournis par toute personne autre qu'un Agence de service autorisée Forno.

> Services de dommages ou de réparation pour corriger les services fournis par des parties non autorisées ou l'utilisation de pièces non autorisées.

> Installation non conforme codes d'incendie locaux/état/ville/comté, codes électriques, gaz codes, codes de plomberie, codes du bâtiment, lois ou règlements.

> Défauts ou dommages dus à un stockage inapproprié du Produit.

> Défauts, dommages ou pièces manquantes sur les produits vendus hors de l'emballage d'origine ou des présentoirs. Appels de service ou réparations pour corriger une erreur l'installation du Produit et/ou des accessoires associés.

> Remplacement des pièces/appels de service pour se connecter, convertir ou autrement réparer le câblage électrique et/ou conduite de gaz afin d'utiliser correctement le produit.

> Remplacement des pièces/appels de service à fournir instructions et informations sur l'utilisation du Produit.

> Remplacement des pièces/appels de service pour corriger les problèmes résultant de l'utilisation du produit d'une manière autre que ce qui est normal et habituel pour un usage résidentiel.

> Remplacement des pièces/appels de service en raison de l'usure et déchirure de composants tels que joints, boutons, casserole supports, étagères, paniers à couverts, boutons, tactiles présentoirs, plateaux en vitrocéramique rayés ou cassés.

> Remplacement de pièces/appels de service en cas de manque de/mauvais entretien, y compris, mais sans s'y limiter : accumulation de résidus, taches, rayures, décoloration, corrosion.

> Défauts et dommages résultant d'accidents, altération, mauvaise utilisation, abus ou mauvaise installation.

> Défauts et dommages résultant du Produit transport, logistique et manutention. Inspection du produit doit être fait au moment de la livraison. Suivant réception et inspection, le concessionnaire vendeur/la livraison l'entreprise doit être informée de tout problème découlant de manutention, transport et logistique.

> Défauts et dommages résultant de forces externes hors du contrôle de Forno, y compris mais non limité au vent, à la pluie, au sable, aux incendies, aux inondations, aux coulées de boue, des températures glaciales, une humidité excessive ou exposition prolongée à l'humidité, aux surtensions, la foudre, les défaillances structurelles entourant l'appareil et d'autres actes de Dieu.

> Produits dont le numéro de série a été altéré/endommagé. En aucun cas Forno est tenu responsable des dommages causés à propriété environnante, y compris les meubles, les armoires, revêtements de sol, panneaux et autres structures entourant le Produit. Forno n'est pas tenu responsable des Produit s'il est situé dans une zone éloignée ou une zone où les techniciens formés certifiés ne sont pas raisonnablement disponibles. L'acheteur doit supporter tout transport et les frais de livraison du Produit jusqu'au centre de service autorisé ou les frais de déplacement supplémentaires d'un technicien certifié.

IL N'EXISTE AUCUNE GARANTIE EXPRESSE AUTRE QUE CELLES ÉNUMÉRÉES ET DÉCRITES CI-DESSUS, ET AUCUNE GARANTIES, EXPRESSES OU IMPLICITES, Y COMPRIS, MAIS SANS S'Y LIMITER, TOUTE GARANTIE IMPLICITE GARANTIES DE QUALITÉ MARCHANDE OU D'ADÉQUATION À UN USAGE PARTICULIER QUI S'APPLIQUERONT APRÈS LES PÉRIODES DE GARANTIE EXPRESSE INDIQUÉES CI-DESSUS, ET AUCUNE AUTRE GARANTIE EXPRESSE OU GARANTIE DONNÉE PAR TOUTE PERSONNE, ENTREPRISE OU SOCIÉTÉ CONCERNANT CE PRODUIT SERA OBLIGATOIRE POUR FORNO. FORNO NE SERA PAS RESPONSABLE DE LA PERTE DE REVENUS OU DE PROFITS, DÉFAUT DE RÉALISER DES ÉCONOMIES OU D'AUTRES AVANTAGES, TEMPS D'ABSENCE DU TRAVAIL, REPAS, PERTE DE NOURRITURE OU BOISSONS, FRAIS DE VOYAGE OU D'HOTEL, FRAIS DE LOCATION OU D'ACHAT D'APPAREILS, DÉPENSES DE REMODELAGE/CONSTRUCTION SUPÉRIEURES AUX DOMMAGES DIRECTS INDÉNIABLES CAUSÉ EXCLUSIVEMENT PAR FORNO OU TOUT AUTRE SPÉCIAL, ACCESSOIRE OU CONSÉCUTIF LES DOMMAGES CAUSÉS PAR L'UTILISATION, LA MAUVAISE UTILISATION OU L'INCAPACITÉ D'UTILISER CE PRODUIT, INDÉPENDAMMENT DU THÉORIE JURIDIQUE SUR LAQUELLE LA RÉCLAMATION EST BASÉE, ET MÊME SI FORNO A ÉTÉ AVISÉ DE LA POSSIBILITÉ DE TELS DOMMAGES. DE PLUS, LA RÉCUPÉRATION DE QUELQUE NATURE QUE CE SOIT CONTRE FORNO NE SERA PLUS GRANDE D'UN MONTANT QUE LE PRIX D'ACHAT DU PRODUIT VENDU PAR FORNO ET CAUSANT LE DOMMAGES ALLÉGUÉS. SANS PRÉJUDICE DE CE QUI PRÉCÈDE, L'ACHETEUR ASSUME TOUS LES RISQUES ET RESPONSABILITÉ POUR PERTE, DOMMAGE OU BLESSURE À L'ACHETEUR ET À LA PROPRIÉTÉ DE L'ACHETEUR ET À AUTRES ET LEURS PROPRIÉTÉS DÉCOULANT DE L'UTILISATION, DE LA MAUVAISE UTILISATION OU DE L'INCAPACITÉ À UTILISER CE PRODUIT VENDU PAR FORNO QUI N'EST PAS LE RÉSULTAT DIRECT D'UNE NÉGLIGENCE DE LA PART DE FORNO LA GARANTIE LIMITÉE NE S'ÉTENDRA À PERSONNE AUTRE QUE L'ACHETEUR INITIAL DE CE PRODUIT N'EST PAS TRANSFÉRABLE ET ÉNONCE VOTRE RECOURS EXCLUSIF.

INFORMATION POUR LE CLIENT

Sécurité de la cuisinière

Votre sécurité et celle d'autres personnes sont très importantes.

De nombreux messages de sécurité importants ont été fournis dans ce guide et sur votre appareil. Lisez et obéissez à tous les messages de sécurité



Il s'agit d'un symbole d'alerte de sécurité qui vous avertira des dangers potentiels de sécurité des personnes ou des biens. Respectez tous les messages de sécurité pour éviter tout dommage matériel, blessure corporelle ou la mort.



AVERTISSEMENT

L'AVERTISSEMENT indique une situation potentiellement dangereuse qui, si elle n'est pas évitée, pourrait causer des blessures graves ou mortelles.



MISE EN GARDE

LA MISE EN GARDE indique une situation de danger modéré qui, si elle n'est pas évitée, pourrait entraîner des blessures mineures ou modérées.

Tous les messages de sécurité vous alerteront du danger potentiel et le moyen de réduire les risques de blessure et vous indiqueront ce qui peut se produire si les consignes ne sont pas suivies.



AVERTISSEMENT

Si les informations contenues dans ce guide ne sont pas suivies à la lettre, un incendie ou une explosion peuvent se produire et causer des dommages matériels, des blessures graves même mortelles.

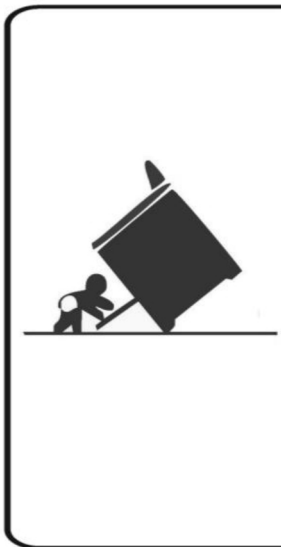
N'entreposez pas et n'utilisez pas d'essence ou d'autres vapeurs et liquides inflammables près de cet appareil ou de tout autre appareil.

-QUE DEVEZ- VOUS FAIRE SI VOUS SENTEZ UNE ODEUR DE GAZ

- N'essayez pas d'activer un appareil quel qu'il soit.
- Ne touchez à aucun interrupteur électrique.
- N'utilisez aucun téléphone se trouvant dans votre immeuble.
- Appelez immédiatement votre fournisseur de gaz en utilisant le téléphone d'un voisin. Suivez les consignes du fournisseur de gaz
- Si vous ne pouvez pas accéder à votre fournisseur de gaz, appelez le service d'incendie.

L'installation et le service doivent être effectués par un installateur qualifié, un centre de service ou le fournisseur de gaz.

DISPOSITIF ANTI-BASCULEMENT



AVERTISSEMENT

Risque de basculement

Un enfant ou un adulte peut faire basculer la cuisinière et cela peut causer des blessures graves ou mortelles.
Installez le dispositif anti-basculement sur la cuisinière et/ou la structure conformément aux consignes d'installation.
Engagez la cuisinière sur le dispositif anti-basculement installé sur la structure.
Si la cuisinière est retirée, réengagez le dispositif anti-basculement.
Si ces précautions ne sont pas respectées, la mort ou les blessures graves et/ou des brûlures peuvent survenir chez les enfants et les adultes.

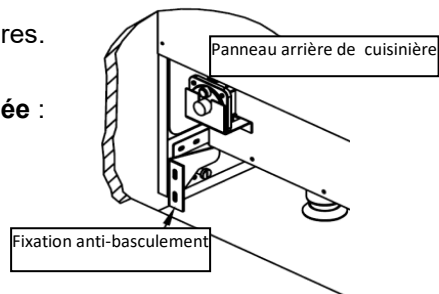
La cuisinière doit être sécurisée à l'aide d'un dispositif anti-basculement correctement installé et fourni avec la cuisinière afin de réduire son risque de basculement. Reportez-vous aux consignes d'installation fournies avec la fixation pour obtenir toute les précisions avant de commencer l'installation.

Toutes les cuisinières peuvent basculer et causer des blessures.

Assurez-vous que la fixation anti-basculement est installée :

Faites glisser la cuisinière vers l'avant.

Assurez-vous que la fixation anti-basculement est solidement fixée au mur derrière la cuisinière.



AVERTISSEMENT

Ce produit peut vous exposer à des produits chimiques, dont monoxyde de carbone, connus dans l'État de la Californie pour causer des dommages au développement.

Pour de plus amples informations, veuillez consulter le site www.P65Warnings.ca.gov

L'installation doit être conforme aux codes locaux ou, en l'absence de codes locaux, avec le National Fuel Gas Code, ANSI Z223.1/NFPA 54 ou, au Canada, avec le Code d'installation du gaz naturel et du propane, CSA B149.1.



AVERTISSEMENT

Ne jamais faire fonctionner la partie supérieure de l'appareil de cuisson sans surveillance


Le non-respect de cette mise en garde peut entraîner un incendie, une explosion ou un risque de brûlure pouvant causer des dommages matériels, des blessures ou la mort.


En cas d'incendie, tenez-vous à l'écart de l'appareil et appelez immédiatement votre service d'incendie.


NE PAS TENTER D'ÉTEINDRE UN INCENDIE D'HUILE OU DE GRAISSE AVEC DE L'EAU

INFORMATIONS DE SÉCURITÉ IMPORTANTES

LISEZ TOUTES LES INFORMATIONS AVANT L'UTILISATION DE L'APPAREIL

| | |
|--|---|
|  AVERTISSEMENT | Lisez toutes les consignes de sécurité avant l'utilisation du produit. Le non-respect de ces consignes peut causer un incendie, une décharge électrique, des blessures graves ou la mort. |
|--|---|

| | |
|--|---|
| CONSIGNES DE SÉCURITÉ GÉNÉRALES  AVERTISSEMENT | N'utilisez jamais cet unité comme appareil de chauffage pour réchauffer ou chauffer la pièce. Cela pourrait entraîner une intoxication au monoxyde de carbone et une surchauffe du four. |
|--|---|

1. Utilisez cette cuisinière aux fins prévues et décrites dans ce guide d'utilisation.
2. Un installateur qualifié doit installer votre cuisinière avec une mise à la terre adéquate, conformément aux consignes d'installation fournies.
3. Tout ajustement ou entretien ne doit être effectué que par un installateur ou technicien qualifié pour cuisinière au gaz. N'essayez pas de faire vous-même la réparation ou le remplacement d'une pièce de votre cuisinière à moins que cela ne soit spécifiquement recommandé dans ce guide.
4. Votre cuisinière est expédiée de l'usine pour une utilisation avec le gaz naturel ou le gaz propane (PL). Elle peut être convertie pour une utilisation avec l'un ou l'autre. Ces réglages doivent être effectués par un technicien qualifié conformément aux consignes d'installation et aux codes locaux si cela est nécessaire. L'agence effectuant ce travail assume la responsabilité de la conversion.
5. Demandez à l'installateur de vous indiquer l'emplacement de la vanne d'arrêt du gaz de la cuisinière et le moyen de la fermer, si cela est nécessaire.
6. Branchez votre cuisinière à une prise de courant mise à la terre de 120 volts uniquement. Ne retirez pas la broche de terre ronde de la fiche. En cas de doute sur la mise à la terre du système électrique domestique, vous avez la responsabilité et l'obligation de disposer d'une prise non mise à la terre conformément au Code National de l'Electricité. N'utilisez pas de rallonge électrique avec cette cuisinière.
7. Avant d'effectuer tout entretien, débranchez la cuisinière ou l'alimentation électrique du panneau de distribution domestique en retirant le fusible ou en coupant le disjoncteur.
8. Assurez-vous que tout le matériel d'emballage est retiré de la cuisinière avant utilisation afin d'empêcher l'inflammation de ce matériel.
9. Évitez d'égratigner ou de heurter les panneaux en verre car cela risque de briser le verre. Ne cuisinez pas sur un produit au verre brisé. Une décharge électrique, un incendie ou des coupures peuvent se produire.
10. Ne laissez pas les enfants seuls ou sans surveillance dans une zone où cet appareil est utilisé. Ils ne devraient jamais être autorisés à grimper, s'asseoir ou se tenir debout sur une pièce quelconque de la cuisinière.
11.  **MISE EN GARDE** Ne rangez pas d'objets d'intérêt pour les enfants dans des armoires situées au-dessus d'un four. Les enfants qui montent dans le four pour atteindre ces objets pourraient être sérieusement blessés.
12. Ne bloquez jamais les événements de la cuisinière. Ils fournissent les entrées et les sorties d'air nécessaires au bon fonctionnement de la cuisinière avec une combustion adéquate. Les ouvertures d'aération sont situées à l'arrière de la table de cuisson, en haut et en bas de la portière du four et au bas de la cuisinière.
13. N'utilisez que des poignées sèches. Les poignées humides ou mouillées sur des surfaces chaudes peuvent causer des brûlures par la vapeur. Ne laissez pas les poignées toucher aux brûleurs de surface, à la grille du brûleur ou aux éléments chauffants du four. N'utilisez pas de serviette ni d'autres tissus épais à la place des poignées.

14. Ne touchez pas aux éléments chauffants ou aux parois intérieures du four. Même si les surfaces sont de couleur foncée, elles peuvent être suffisamment chaudes pour causer des brûlures. Pendant et après l'utilisation, ne touchez pas et ne laissez pas les vêtements ou autres matériaux inflammables entrer en contact avec l'intérieur du four; laisser suffisamment de temps pour le refroidissement. Les autres surfaces de l'appareil peuvent devenir très chaudes et causer des brûlures. Les surfaces potentiellement chaudes incluent les brûleurs, les grilles, l'ouverture de ventilation du four, les surfaces près de l'ouverture, les crevasses autour de la portière du four, les éléments décoratifs métalliques au-dessus de la porte, tout support arrière ou la surface de la tablette supérieure.
15. Ne chauffez pas les contenants d'aliments non ouverts. La pression pourrait augmenter et le conteneur pourrait éclater et causer des blessures.



AVERTISSEMENT

Extrêmement lourd.

Un équipement approprié et une main-d'œuvre adéquate sont nécessaires pour déplacer la cuisinière afin d'éviter des blessures corporelles ou des dommages à l'appareil ou au sol.

Le non respect de ces conseils peut entraîner des dommages ou des blessures.



AVERTISSEMENT

NE PAS porter ni soulever la cuisinière par la poignée de la porte du four ou le panneau de commande !



Correct



Incorrect



**AVERTISSEMENT****CONSIGNES DE SÉCURITÉ GÉNÉRALES (suite)**

Cuisez les aliments à fond pour vous protéger contre les maladies d'origine alimentaire. Les recommandations relatives à la température minimale sécuritaire pour les aliments sont disponibles sur www.IsItDoneYet.gov et www.fsis.usda.gov. Utilisez un thermomètre pour aliments pour prendre la température des aliments à divers endroits.

Ne laissez personne grimper, se tenir debout ou se suspendre à la portière du four, au tiroir ou à la table de cuisson. Cela pourrait endommager la cuisinière et celle-ci pourrait basculer et causer des blessures graves ou mortelles. Gardez la hotte du ventilateur et le filtre à graisses propres pour le maintien d'une bonne ventilation et éviter les incendies de graisse. ÉTEIGNEZ le ventilateur en cas d'incendie ou en cas de d'utilisation intentionnelle d'alcool ou d'autres essences pour flamber un aliment sur la table de cuisson. Si le ventilateur est en marche, il pourrait propager des flammes.

**AVERTISSEMENT****GARDEZ LES MATÉRIAUX INFLAMMABLES LOIN DE LA CUISINIÈRE**

Le non-respect de cette consigne peut provoquer un incendie ou des blessures

Ne rangez pas et n'utilisez pas de matériaux inflammables dans un four ou près de la table de cuisson. Ceux-ci comprennent le papier, le plastique, les poignées, les linges, les revêtements muraux, les rideaux, les draperies et le carburant ou d'autres liquides et vapeurs inflammables.

Lors de l'utilisation de l'appareil, ne portez jamais de vêtements amples ou drapés. Si ces vêtements entrent en contact avec des surfaces chaudes, ils peuvent s'enflammer et provoquer des brûlures graves.

Ne laissez pas d'huile de cuisson ou d'autres matières inflammables s'accumuler dans la cuisinière ou à proximité de celle-ci.

Les graisses se trouvant dans le four ou sur la table de cuisson peut s'enflammer.

**AVERTISSEMENT****EN CAS D'INCENDIE, PRENEZ LES MESURES SUIVANTES POUR ÉVITER LES BLESSURES ET LA PROPAGATION DU FEU.**

N'utilisez pas d'eau sur les incendies de graisse. Ne prenez jamais une casserole en flammes. Arrêtez les commandes. Éteignez une poêle en flammes sur un élément de surface en la recouvrant complètement avec un couvercle bien ajusté, une plaque à pâtisserie ou un plateau plat. Utilisez un extincteur polyvalent à poudre chimique ou à mousse.

En cas d'incendie dans le four pendant la cuisson, étouffez le feu en fermant la porte du four et en éteignant le four ou en utilisant un extincteur polyvalent à poudre chimique ou à mousse. S'il y a un incendie dans le four pendant l'auto-nettoyage, éteignez le four et attendez que l'incendie se dissipe.

Ne forcez pas l'ouverture de la porte. L'introduction d'air frais à des températures d'auto-nettoyage peut provoquer une explosion de flamme du four. Le non-respect de ces consignes peut causer des brûlures graves.

**AVERTISSEMENT****CONSIGNES DE SÉCURITÉ POUR LA TABLE DE CUISSON**

Ne laissez jamais les brûleurs de surface sans surveillance à des réglages de chaleur moyenne ou élevée. Les aliments, et en particulier les aliments gras peuvent s'enflammer et causer un incendie qui pourrait se propager aux armoires environnantes.

Ne laissez jamais d'huile sans surveillance pendant la friture. Si on laisse chauffer au-delà de son point de fumée, l'huile peut s'enflammer et causer un incendie qui peut se propager aux armoires environnantes. Utilisez autant que possible un thermomètre à friture pour surveiller la température de l'huile.

Pour éviter les débordements d'huile et les incendies, utilisez une quantité minimale d'huile lorsque vous faites frire dans une casserole peu profonde et évitez de cuire des aliments congelés contenant une quantité excessive de glace.

Utilisez une casserole de taille appropriée et évitez les casseroles instables ou qui basculent facilement. Sélectionnez un ustensile de cuisine correspondant à la taille du brûleur. Les flammes des brûleurs doivent être ajustées de manière à ne pas dépasser le fond de la casserole. Les flammes excessives peuvent être dangereuses.

Lorsque vous utilisez des ustensiles de cuisson en verre/céramique, assurez-vous qu'ils conviennent à la table de cuisson; quelques uns peuvent se briser à cause d'un changement soudain de température. Pour minimiser les risques de brûlure, d'inflammation de matériaux inflammables et de déversement, les poignées des casseroles doivent être tournées vers le centre de la cuisinière sans s'étendre sur les brûleurs voisins.

N'utilisez pas de wok avec un support métallique rond. L'anneau peut piéger la chaleur et bloquer l'air se trouvant dans le brûleur, ce qui présente un risque de monoxyde de carbone.

N'essayez pas de soulever la table de cuisson. Vous risquerez d'endommager les tuyaux de gaz des brûleurs de surface, entraînant donc une fuite de gaz et un risque d'incendie.

N'utilisez pas de papier en aluminium pour couvrir les grilles ou recouvrir une pièce de la table de cuisson. Cela pourrait entraîner une intoxication au monoxyde de carbone, une surchauffe des surfaces de la table de cuisson ou un risque d'incendie.

**AVERTISSEMENT****CONSIGNE DE SÉCURITÉ DU FOUR**

NE recouvrez JAMAIS les fentes, les orifices ou les passages au fond du four et ne couvrez pas une grille entière en utilisant des matériaux tels que le papier en aluminium ou les revêtements de four. Cela bloque la circulation de l'air dans le four et peut causer une intoxication au monoxyde de carbone. Ne placez jamais de papier d'aluminium ou de revêtement de four au fond du four. Ils peuvent piéger la chaleur et causer un risque de fumée ou d'incendie.

Éloignez-vous de la cuisinière lorsque vous ouvrez la portière du four. Les fuites d'air chaud ou de vapeur peuvent causer des brûlures aux mains, au visage et/ou aux yeux.

Ne placez jamais d'ustensiles de cuisine, de pizza ou de pierres de cuisson, ou tout type de papier d'aluminium ou de support au bas du four. Ces éléments peuvent piéger la chaleur ou fondre, ce qui peut endommager le produit et causer une décharge, de la fumée ou un incendie.

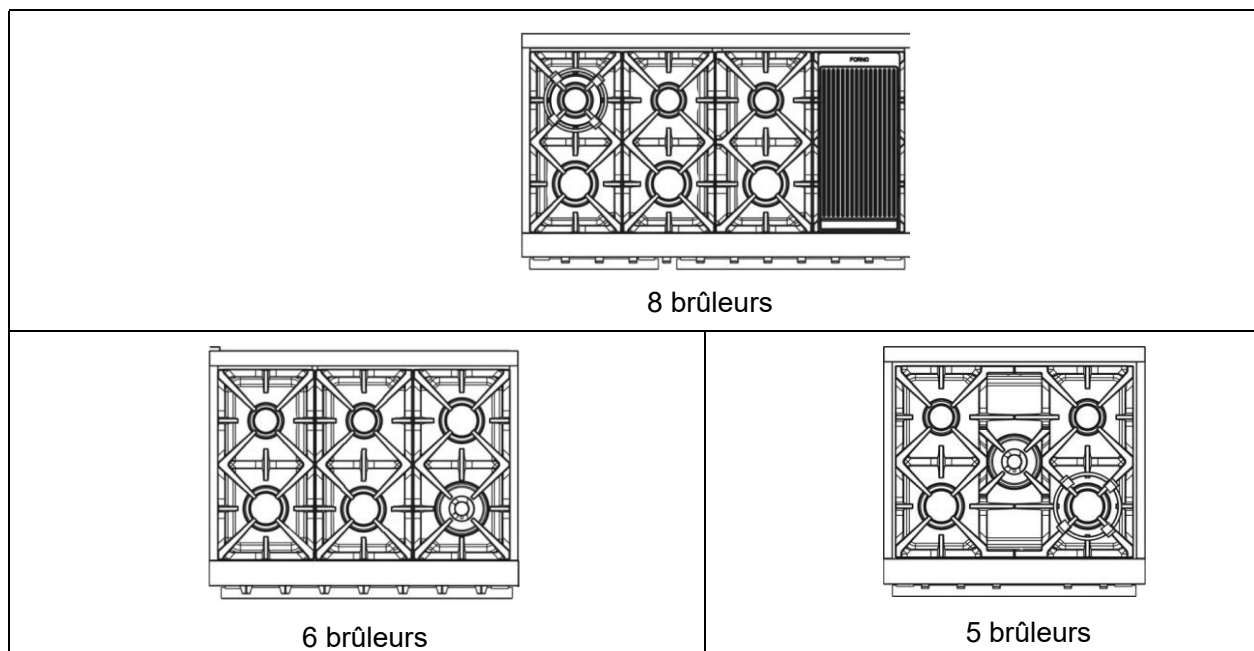
Placez les grilles du four à l'endroit désiré après que le four devient froid. Si la grille doit être déplacée alors que le four est chaud, veillez à ne pas toucher les surfaces chaudes.

Ne laissez pas d'objets tels que du papier, des ustensiles de cuisine ou des aliments dans le four lorsqu'il n'est pas utilisé. Les articles rangés dans un four peuvent s'enflammer.

Ne laissez pas d'objets sur la table de cuisson près de la ventilation du four. Les articles peuvent surchauffer et entraîner un risque d'incendie ou de brûlures.

N'utilisez jamais la fonction de grillage alors que la porte du four est ouverte. Le grillage à porte ouverte n'est pas recommandé en raison de la surchauffe des boutons de commande.

Fonctionnalités de votre cuisinière








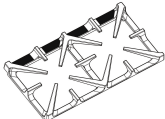


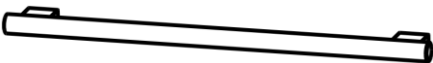

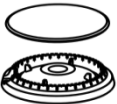
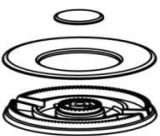
| Index des fonctionnalités | |
|---------------------------|---|
| 1 | Évents du four |
| 2 | Grilles de brûleur de la table de cuisson |
| 3 | Grille de cuisson (sur certains modèles) |
| 4 | Interrupteur d'éclairage à DEL |
| 5 | Panneau de commande |
| 6 | Lumières de four |
| 7 | Panneau de commande du ventilateur de la convection |
| 8 | Brûleur du four/grillage |
| 9 | Panneau coup de pied |
| 10 | Système de mise à niveau |
| 11 | Support de wok |

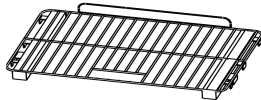
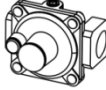

Toutes les fonctionnalités ne sont pas disponibles sur tous les modèles. L'apparence peut varier

Consignes d'installation


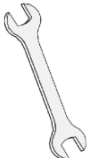
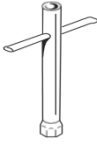






Avant d'utiliser votre cuisinière

1. Retirez tout le matériel d'emballage.
2. Assurez-vous d'avoir tous les accessoires énumérés ci-dessous

| | | | |
|---|-----------------------------------|--------------|----------|
|  0.46, 0.9, 0.93, 0.94, 1.18, 1.39, (*1.12 pièces pour 48") | Buse GPL | FFSGS6439-30 | 9 jeux |
| | | FFSGS6439-36 | 10 jeux |
| | | FFSGS6439-48 | 13 jeux |
|  | Fixation anti-basculement et vis | | 1 jeu |
|  | Plaque en caoutchouc mural | | 2 pièces |
|  | Grilles du brûleur | FFSGS6439-30 | 2 pièces |
|  | Grilles du brûleur | FFSGS6439-36 | 3 pièces |
| | | FFSGS6439-48 | 3 pièces |
|  | Grilles du brûleur | FFSGS6439-48 | 1 pièce |
|  | Plaque chauffante (Grille) | FFSGS6439-48 | 1 pièce |
|  | Support pour wok | | 1 pièce |
|  | Poignée de la porte du four | | 2 pièces |
|  | Capuchon et brûleur (9000BTU) | FFSGS6439-30 | 2 jeux |
| | | FFSGS6439-36 | 2 jeux |
| | | FFSGS6439-48 | 3 jeux |
|  | Capuchon et brûleur (15000BTU) | FFSGS6439-30 | 2 jeux |
| | | FFSGS6439-36 | 3 jeux |
| | | FFSGS6439-48 | 4 jeux |
|  | Capuchon et brûleur (20000BTU) | FFSGS6439-30 | 1 jeu |
| | | FFSGS6439-36 | 1 jeu |
| | | FFSGS6439-48 | 1 jeu |

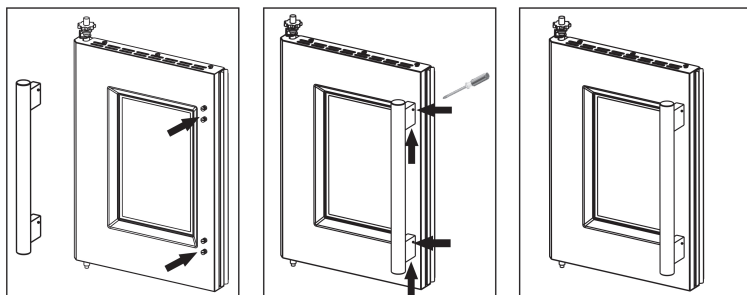
| | | |
|---|---|----------|
|  | Grille de cuisson du four (*4 pièces pour FFSGS6439-48) | 2 pièces |
|  | Régulateur (pré-installé) | 1 pièce |
|  | Autocollant portant le numéro de série et manuel d'instructions | 1 jeu |

VOUS AVEZ BESOIN D'OUTILS POUR L'INSTALLATION. (non fourni avec la cuisinière)

| | | | | |
|--|--|--|--|--|
|  Tournevis |  Clé |  Clé à douille |  Clé Allen |  Ruban à mesurer et crayon |
|  Gants de protection |  Marteau |  Clé ajustable |  Pincettes ajustables |  Perceuse |

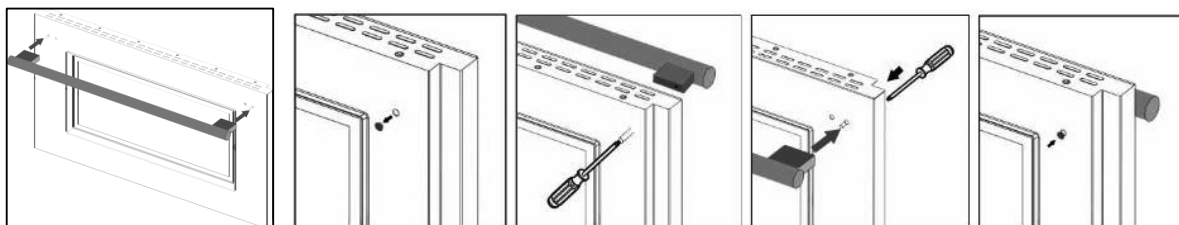
Installation de la poignée de porte

La poignée de porte n'est pas préinstallée. Trouvez-la à l'avant de l'emballage. Suivez l'illustration à droite pour rapidement et



1. Aligner la poignée sur les vis de la porte.
2. Ensuite, utilisez un tournevis à douilles hexagonales pour serrer les vis à douilles hexagonales sur la poignée.

Porte du chef (30" four pour FFSGS6439-48)

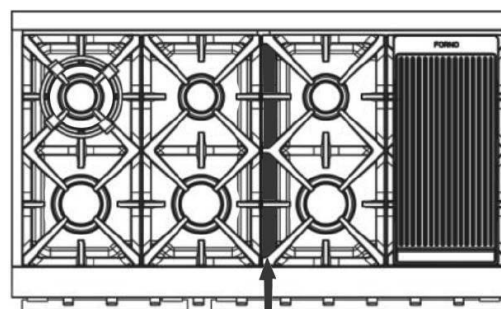


1. Retirez le morceau de caoutchouc rond noir de l'intérieur de la porte.
2. Insérez le tournevis dans le trou.
3. Installez la poignée avec la vis apparente.
4. Répétez les étapes 1 à 3 pour l'autre côté.
5. Remplacez les morceaux de caoutchouc ronds noirs pour couvrir les deux trous de la porte intérieure.

Installation des grilles de brûleur de la table de cuisson

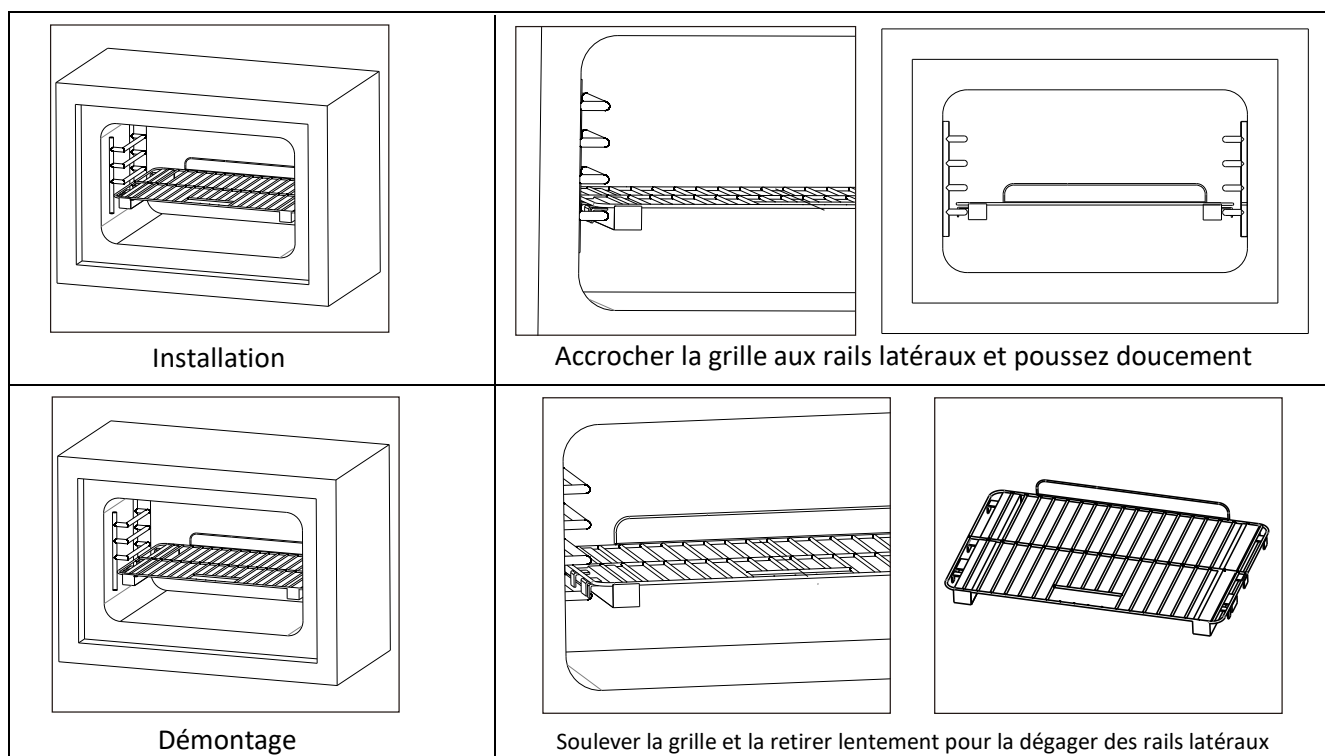
Retirez les matériaux d'emballage des grilles des brûleurs de la table de cuisson. Placez les grilles de brûleur dans une bonne position. Faites attention aux grilles centrales de droite, comme illustré car le côté le plus épais devrait se trouver à gauche.

Placez le gril (pour FFSGS6439-48) et le support de wok sur le(s) brûleur(s) avec lesquels vous aimez cuisiner.



48"

Installation des grilles du four



Électrique

Votre cuisinière doit être mise à la terre conformément aux codes locaux ou, en l'absence de codes locaux, selon le Code national de l'électricité (ANSI / NFPA 70, dernière édition). Au Canada, la mise à la terre électrique doit être conforme au Code Canadien de l'électricité CSA C22.1, section 1 et/ou aux codes locaux. L'alimentation doit avoir la polarité adéquate. Une polarité inversée provoquera en continu des étincelles des électrodes, même après la flamme d'allumage. En cas de doute sur la polarité appropriée de l'alimentation ou de la mise à la terre, faites-la vérifier par un électricien qualifié.

EXIGENCES ÉLECTRIQUES

| | |
|-------------------------|--------------------------------------|
| Alimentation électrique | Mise à la terre, 110/120 V CA, 60 Hz |
| Service | 15 A ou circuit dédié de 20 A |
| Prise | Types de mise à la terre à 3 broches |
| Cordon d'alimentation | 1,3 m (5 pi) |



AVERTISSEMENT

Consignes de mise à la terre électrique : Cette cuisinière est équipée d'une fiche à trois broches (mise à la terre) pour vous protéger contre les risques d'électrocution et doit être branchée directement dans une prise à trois broches correctement mise à la terre.



MISE EN GARDE

La broche de mise à la terre de la fiche ne doit pas être coupée ou retirée. Étiquetez tous les fils avant la déconnexion lors de l'entretien des commandes. Les erreurs de câblage peuvent causer un fonctionnement incorrect et dangereux. Vérifiez le bon fonctionnement après l'entretien.

Mise à la terre

Le cordon d'alimentation est équipé d'une fiche à trois broches (mise à la terre) qui se branche dans une prise murale standard à trois broches avec mise à la terre afin de minimiser les risques d'électrocution provenant de la cuisinière.

Tous les appareils connectés au cordon doivent comporter des consignes relatives à l'emplacement de la prise murale et avertir l'utilisateur qu'il doit débrancher l'alimentation électrique avant de desservir l'appareil.

Lorsqu'une prise murale standard à deux broches est présente, il incombe au client de la faire remplacer par une prise murale à trois broches correctement mise à la terre. Ne coupez pas et ne retirez pas la broche de terre du cordon d'alimentation.

Alimentation en gaz

L'installation doit être conforme aux codes locaux ou, en l'absence des codes locaux, au Code national de gaz combustible, norme ANSI Z223.1 / NFPA 54. Au Canada, l'installation doit être conforme à la norme actuelle d'installation/code de gaz naturel, CAN 1-1.1- M81 et aux codes locaux le cas échéant. Cette cuisinière a été homologuée et conforme à la dernière édition de la norme ANSI Z21.1b-2012.

EXIGENCES DES GAZ

| GAZ NATUREL | CE |
|----------------------------------|-----------------------------------|
| Pression au régulateur | 5 po (12,5mb) |
| Pression d'alimentation minimale | 6 po |
| Pression d'alimentation maximale | 14 po(34,9 mb), 0.5 psi (3,5 kPa) |
| LP GAS | CE |
| Pression au régulateur | 10 po (25mb) |
| Pression d'alimentation minimale | 11 po |
| Pression d'alimentation maximale | 14po (34,9mb), 0.5 psi(3,5 kPa) |

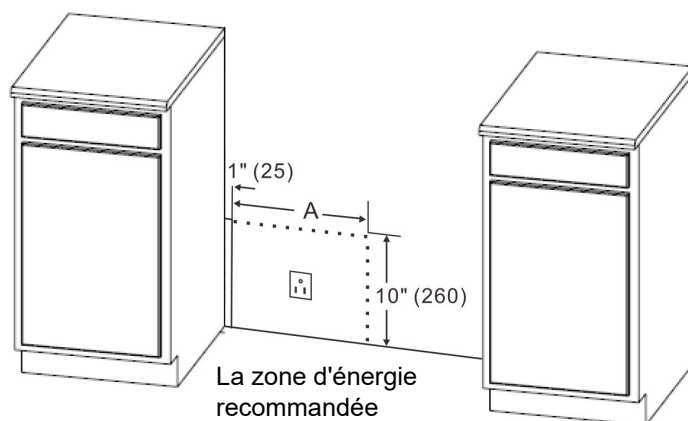
La pression d'alimentation en gaz min et max correspond à la pression au niveau de la vanne d'arrêt du gaz.



AVERTISSEMENT **N'obstruez pas le flux d'air de combustion dans la cuisinière et l'air de ventilation à la sortie de la cuisinière**

Ventilation: il est recommandé de faire fonctionner l'appareil avec une hotte d'évacuation ventilée de la tête du four de dimensions et de capacité suffisantes.

Exigences de l'alimentation électrique



La zone d'énergie recommandée

| | 30 Pouces | 36 Pouces | 48 Pouces |
|---|-----------|-----------|------------|
| A | 28" (715) | 34" (866) | 46" (1169) |

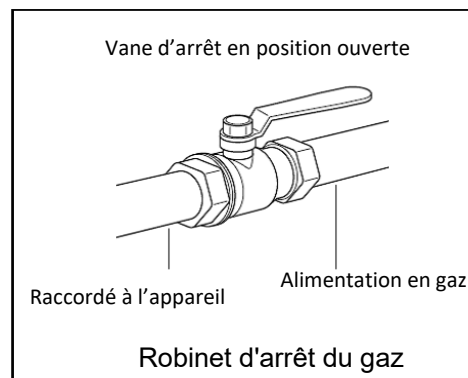
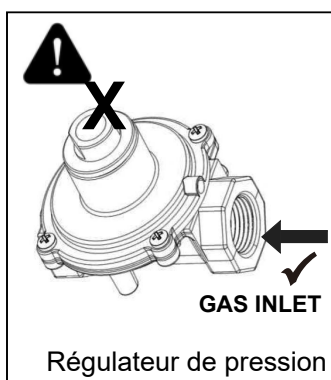
⚠ AVERTISSEMENT À titre d'information seulement, veuillez consulter l'objet réel.

Régulateur de pression

Étant donné que la pression de service peut fluctuer en fonction de la demande locale, chaque cuisinière au gaz doit être équipée d'un régulateur de pression sur la ligne de service entrante pour un fonctionnement sûr et efficace.

Les régulateurs de pression pré - montés sur la plage ont des entrées d'air de 1 / 2 "NPT pour 30", 36 "et 3 / 4" NPT pour 48 ".

Le régulateur peut résister une pression d'entrée maximale de 0,5 psi (3,5 kPa), et est réglé à une pression sortante de 5 po CE lorsqu'il est utilisé sur du GAS NATUREL et est réglé à une pression sortante de 10 po CE lorsqu'il est utilisé sur du PROPANE LIQUIDE.



Vanne d'arrêt de gaz (non fournie)

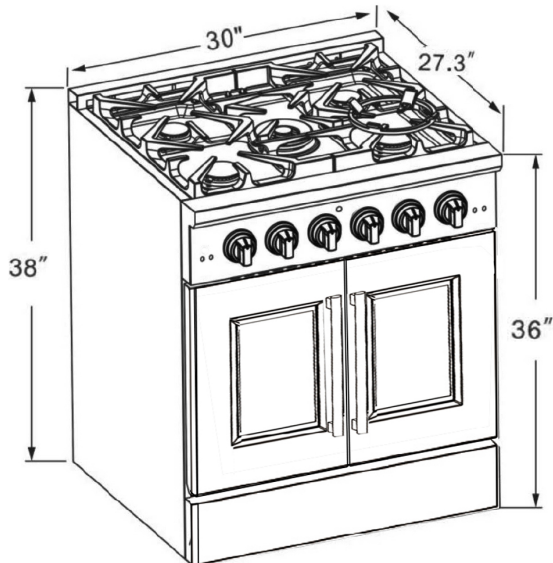
La conduite d'alimentation doit être équipée d'une vanne d'arrêt de gaz externe approuvée, située à proximité de la cuisinière dans un endroit accessible. Ne bloquez pas l'accès à la vanne d'arrêt. Reportez-vous à l'illustration.

Une conduite d'alimentation en gaz d'un diamètre intérieur de 3/4po (19 mm) doit être fournie avec la cuisinière. Si les codes locaux le permettent, il est recommandé d'utiliser un connecteur d'appareil flexible en métal certifié de 3 pi.(0,9 m) de long, 1/2po.(13 mm) ou 3/4 po. (19 mm) de diamètre intérieur, pour brancher l'entrée femelle NPT de 1/2 po (30 po - 36 po) ou 3/4 po NPT (48 po) .de l'appareil à la conduite d'alimentation en gaz. Les composés de joint de tuyau appropriés pour une utilisation avec le gaz naturel ou le gaz PL doivent être utilisés.

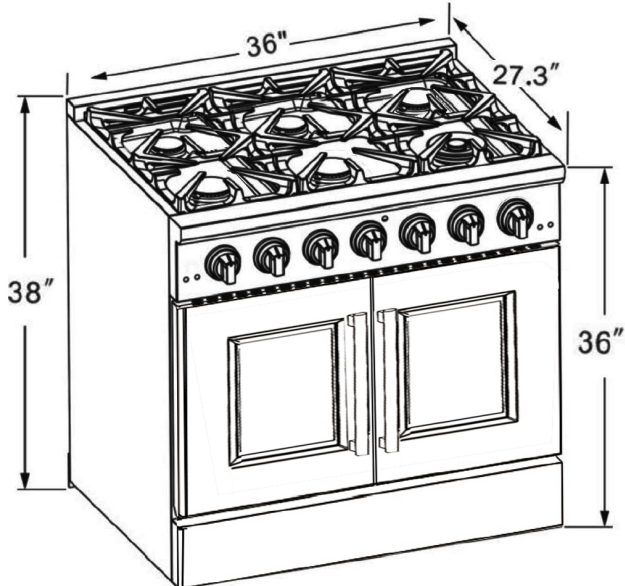
Lorsque la pression d'essai est égale ou inférieure à 0,5 (3,5 kPa), l'équipement et sa vanne d'arrêt doivent être déconnectés du système de tuyauterie d'alimentation en air. Lors de tout essai de pression du système, il doit être isolé de la tuyauterie d'alimentation en air en fermant sa vanne d'arrêt manuelle distincte.

Dimensions du produit et des armoires

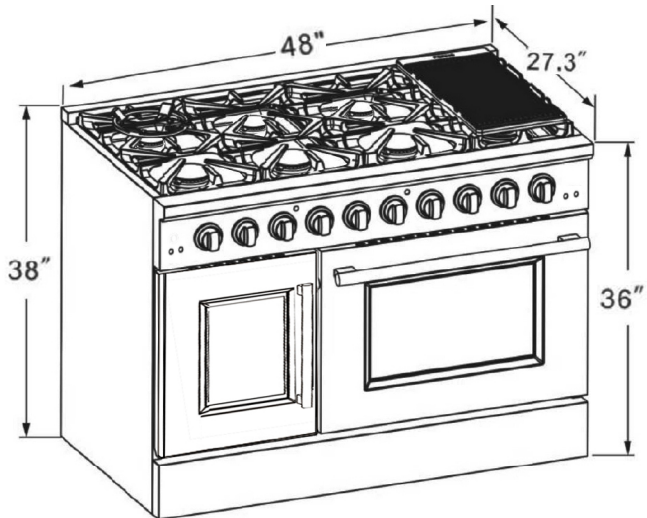
Model#: FFSGS6439-30



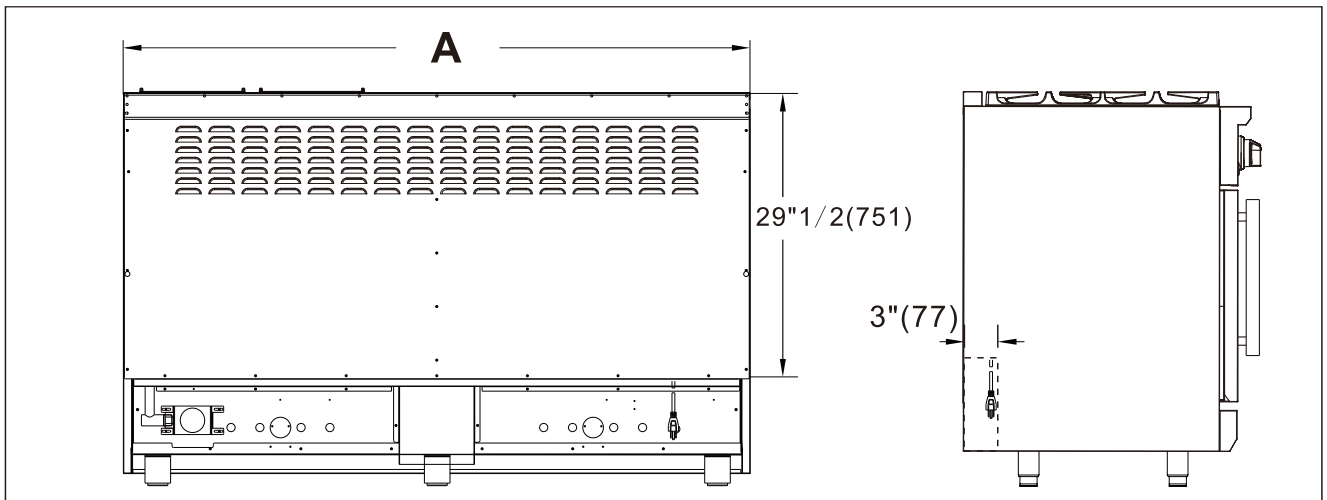
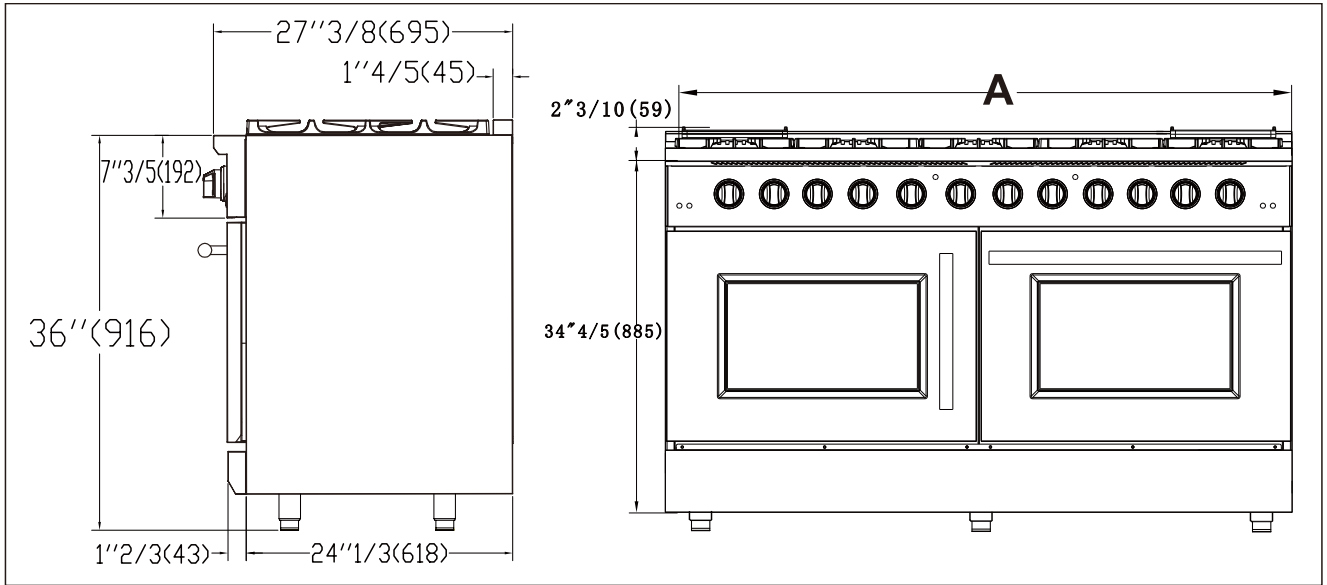
Model#: FFSGS6439-36



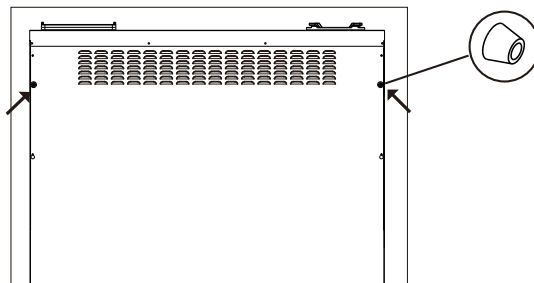
Model#: FFSGS6439-48



Cette cuisinière peut être installée directement à côté des armoires existantes à une hauteur de comptoir (36 po ou 91,5 cm du sol). Pour obtenir le meilleur aspect possible, la table de cuisson doit être au même niveau que le comptoir de l'armoire. Cela peut être obtenu en soulevant l'unité à l'aide des tiges de réglage sur les pieds.



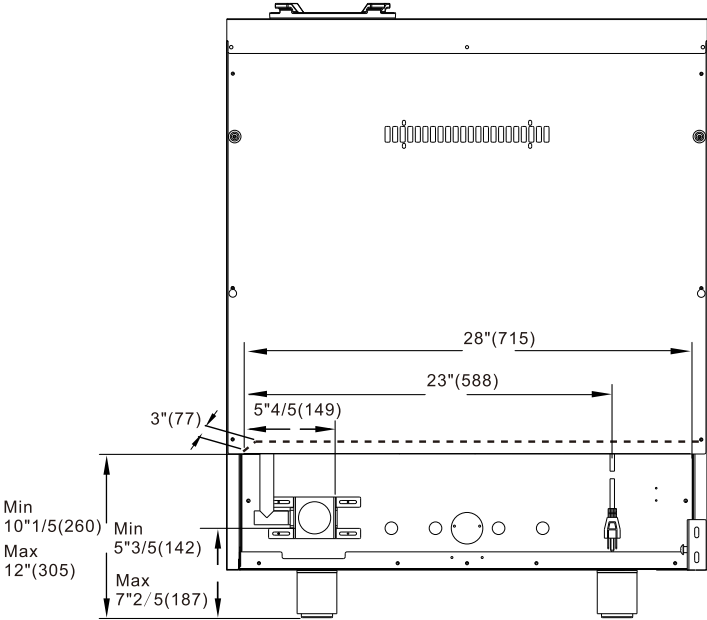
Plaque en caoutchouc mural



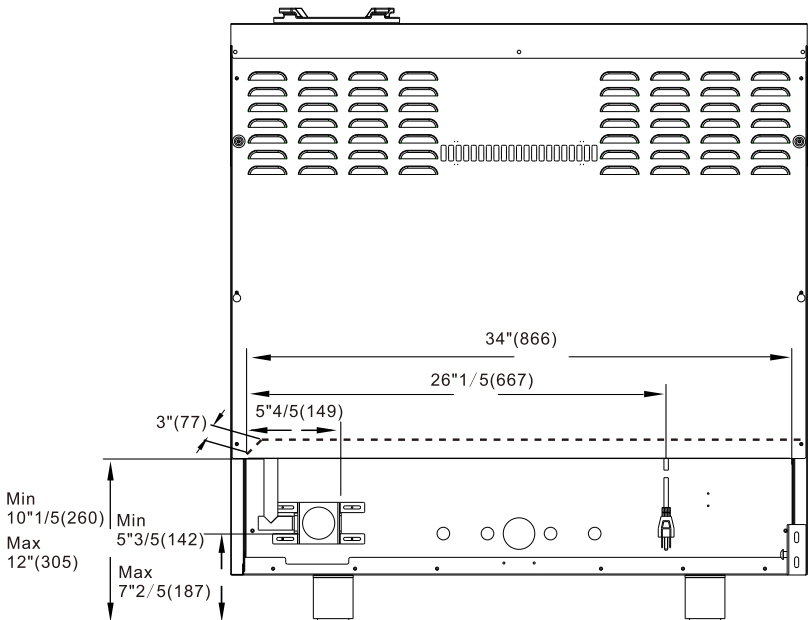
- 1/ Détournez les deux tours sur le dos de la machine.
- 2/ Instalez un tampon en caoutchouc de partition.

| | 30 Pouces | 36 Pouces | 48 Pouces |
|---|-----------|-----------|---------------|
| A | 30"(763) | 36"(915) | 47"9/10(1218) |

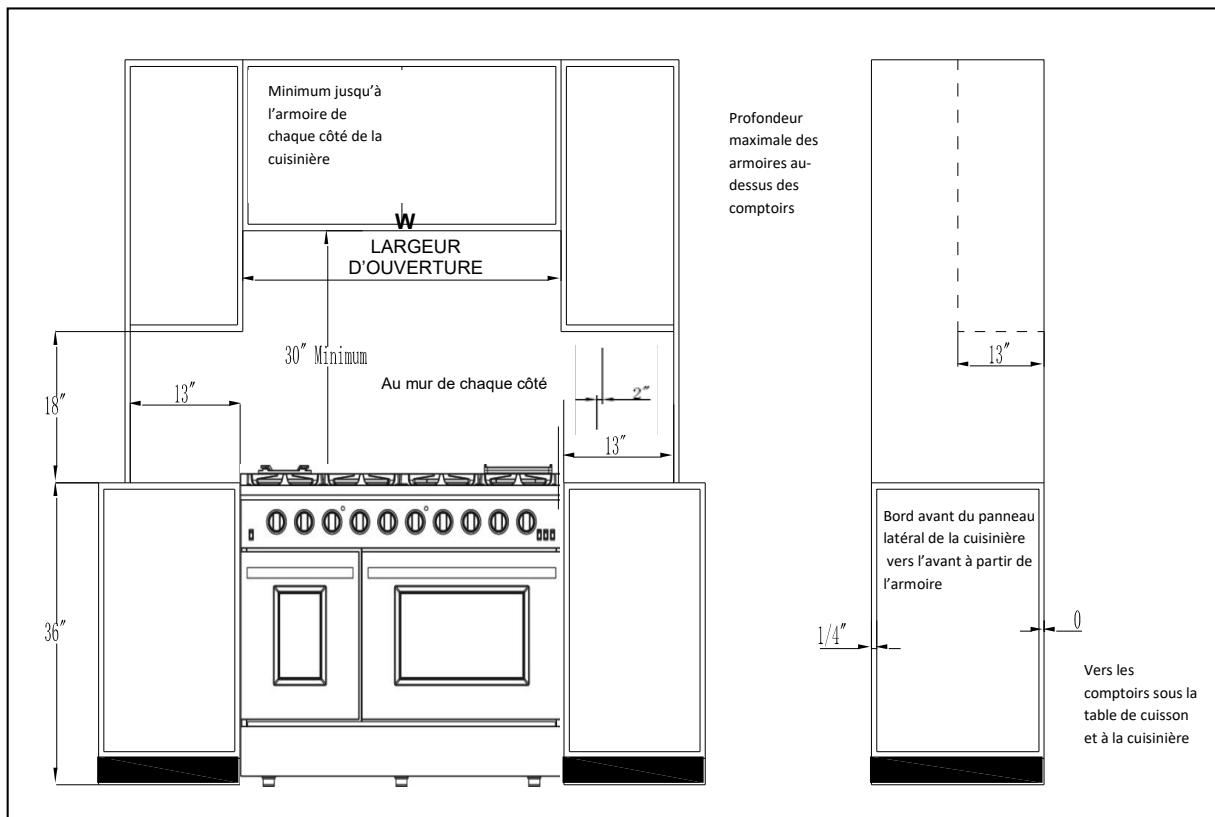
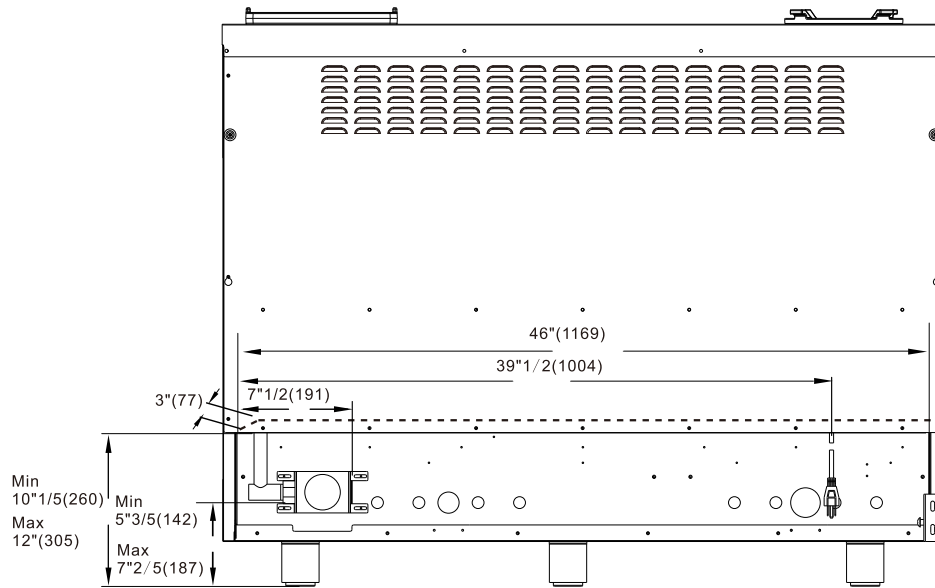
Modèle FFSGS6439-30



Modèle FFSGS6439-36



Modèle FFSGS6439-48



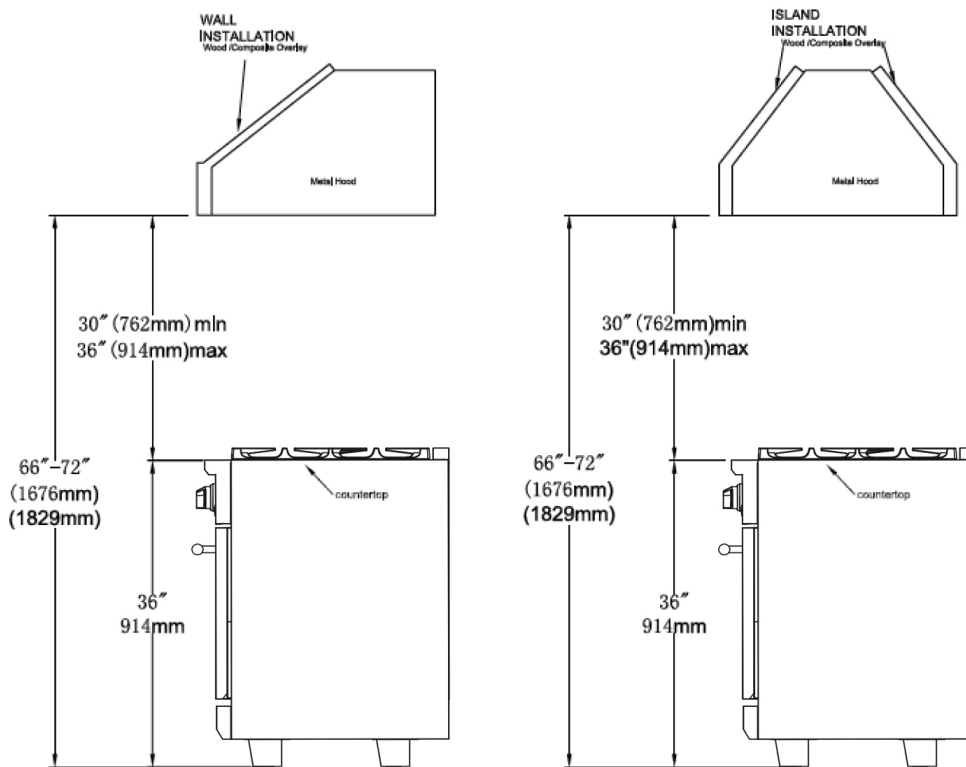
| LARGEUR D'OUVERTURE | Largeur |
|---------------------|--------------|
| Modèle de 30 po. | 30 po.(762) |
| Modèle de 36 po. | 36 po. (914) |
| Modèle de 48 po. | 48 po.(1219) |

Installation de la hotte d'aspiration

Le bas de la hotte doit se situer entre 30 et 36 po au-dessus du comptoir. Cela signifiera généralement que le bas de la hotte se situerait entre 66 et 72 po au-dessus du sol. Ces dimensions permettent un fonctionnement sûr et efficace de la hotte.



Après l'installation:

1. Vérifiez l'allumage des brûleurs de la table de cuisson.
2. Vérifiez le réglage de l'obturateur d'air - flamme bleue vive, sans flamme jaune sautillante ou dansante.
3. Vérifiez l'allumage du brûleur du four.
4. Vérifiez visuellement le ré-allumage du brûleur tubulaire (brûleur du four) pour vous assurer que les deux rangées d'orifices du brûleur se rallument à chaque fois.
5. Vérifiez les fuites de gaz au niveau de toutes les connexions de gaz (à l'aide d'un détecteur de gaz, jamais de flamme).
6. Vérifiez la cuisson au four et la fonction de cuisson par convection.



Opération de conversion de gaz

Cette cuisinière peut être utilisée avec du gaz propane liquide et du gaz naturel. Elle est expédiée de l'usine pour une utilisation avec le gaz naturel (NG). Les buses de conversion sont incluses. Pour la conversion de gaz, suivez les instructions ci-dessous :

-  **AVERTISSEMENT** La conversion du gaz doit être effectuée par un professionnel formé en usine. Appelez le service clientèle à proximité de votre domicile pour identifier un des professionnels formés en usine
-  **AVERTISSEMENT** Avant d'effectuer cette opération, débranchez la cuisinière du gaz et de l'électricité.

La procédure de conversion de gaz pour cette cuisinière comprend 8 étapes

1. Régulateur de pression
2. Brûleurs de table de cuisson
3. Brûleur du four
4. Brûleur de cuisson au grill
5. Vannes de gaz
6. Reconnexion de l'alimentation en gaz et en électricité
7. Brûleur du four à obturateur d'air
8. Installation d'une nouvelle étiquette d'évaluation

La conversion n'est pas terminée si les 8 étapes n'ont pas été correctement effectuées. Avant d'effectuer la conversion de gaz, identifiez l'emballage contenant les buses de rechange livrées avec chaque cuisinière.

ÉTAPE 1: Régulateur de pression

Pour accéder au régulateur de gaz, éloignez la cuisinière de la paroi de l'armoire. Le régulateur de gaz est situé dans le coin inférieur arrière gauche de la cuisinière.

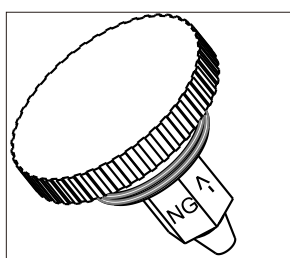
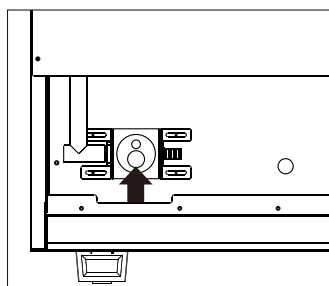


AVERTISSEMENT

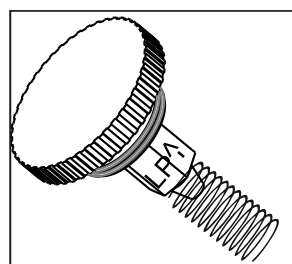
Un risque de décharge électrique peut survenir et entraîner des blessures ou la mort. Débranchez l'alimentation électrique de la cuisinière avant de procéder à l'entretien. Ne retirez pas le régulateur et ne le laissez pas tourner pendant l'entretien.

a. Dévissez le capuchon du régulateur.

b. Dévissez l'insert en laiton du capuchon. Ne retirez pas le ressort de l'insert en laiton. Faites pivoter l'insert en laiton avec le ressort entièrement déployé de 180° et revissez l'insert en laiton sur le capuchon. Insérez le capuchon avec le ressort en premier dans le régulateur. Assurez-vous que le bouchon est bien serré sur le régulateur, sinon une fuite de gaz peut se produire.



Position du GN



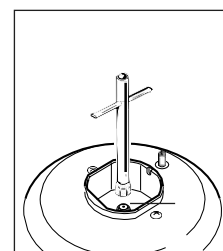
Position du PL

ÉTAPE 2: Brûleurs de la table de cuisson

a. Retirez les grilles de cuisson, les capuchons de brûleur et les anneaux intérieurs de brûleur.

b. Soulevez les têtes de brûleur externes et les bases de brûleur.

c. Retirez les buses de gaz naturel installées en usine du centre des porte-buses à l'aide d'une clé à douille de 7 mm. Remplacez la buse PL dans chaque porte-buse. Serrez chaque buse jusqu'à ce qu'elle soit bien ajustée. Veillez à ne pas trop serrer.



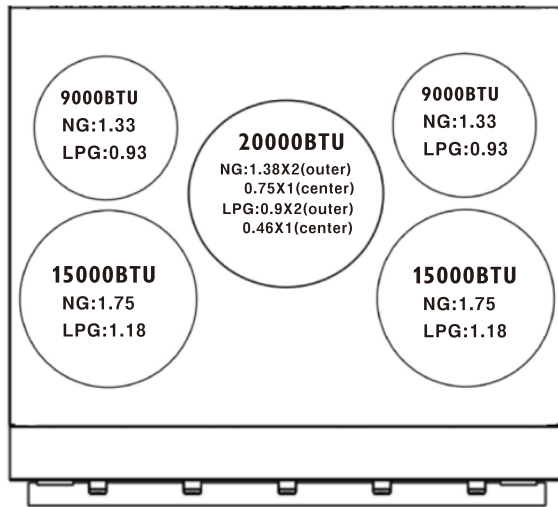
Clé à douille



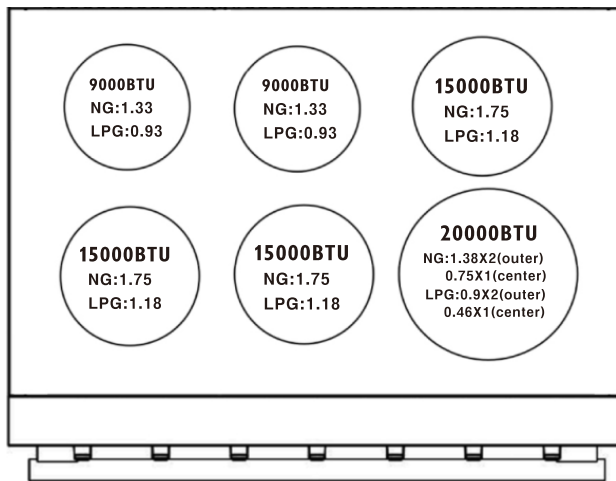
MISE EN GARDE

Des précautions doivent être prises lors du retrait et du remplacement des composants du gaz. Utilisez un support approprié pour éviter des dommages aux composants.

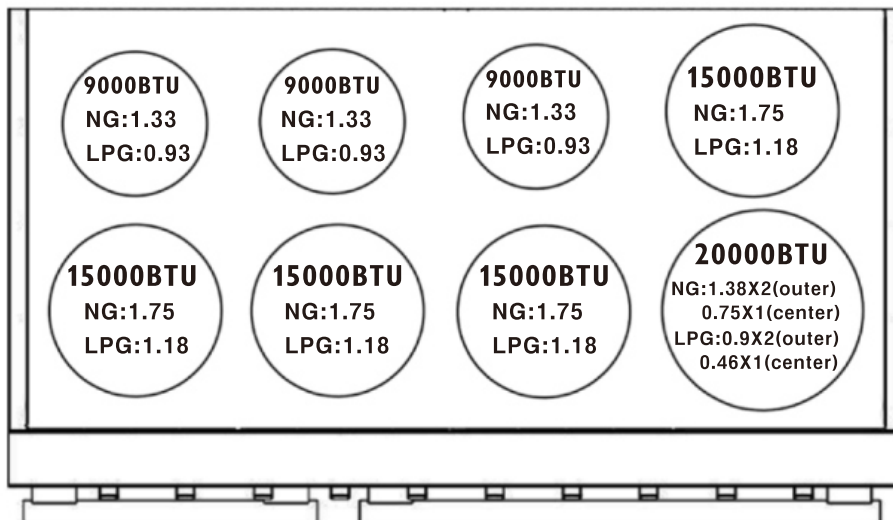
IMPORTANT: Chaque buse a un numéro indiquant son diamètre de débit imprimé sur le corps. Consultez le tableau ci-dessous pour connaître les buses et les brûleurs correspondants.



Modèle:FFSGS6439-30



Modèle:FFSGS6439-36



Modèle:FFSGS6439-48

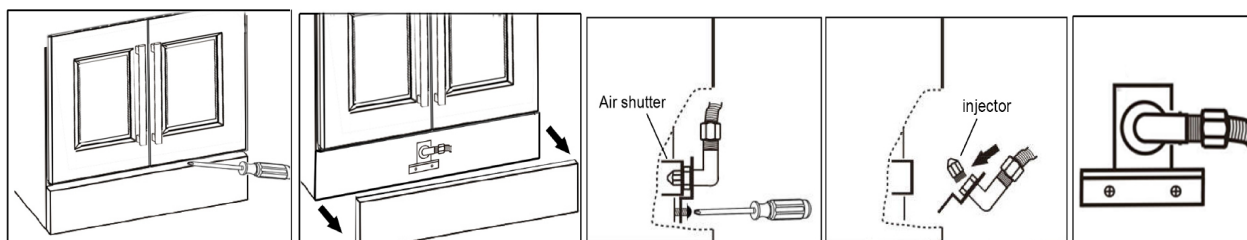
IMPORTANT: Conservez les buses retirées de la cuisinière pour une utilisation ultérieure.

ÉTAPE 3: Brûleur du four

- Retirez les 3 vis situées entre le panneau coup de pied et la porte du four. Tenez le panneau coup de pied par les deux extrémités et retirez-le lentement vers l'avant.
- Retirez les 2 vis qui retiennent le support de la buse et identifiez la buse.

Remplacez par une buse de brûleur de four de 1,32 mm et serrez. Remplacez le support de la buse en alignant la nouvelle buse sur l'obturateur d'air du brûleur du four.

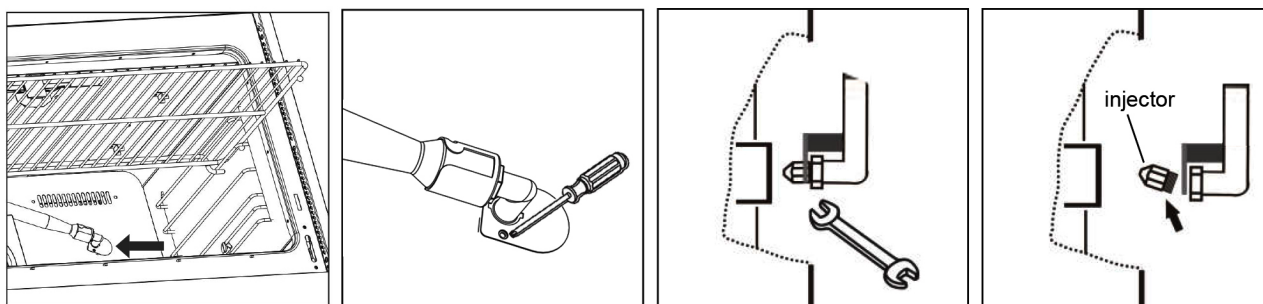
Répétez ces étapes pour un four de 18 po (cuisinière de 48 po. seulement).



| | | Modèle:FFSGS6439-30 | Modèle:FFSGS6439-36 | Modèle:FFSGS6439-48 |
|------------|-----|---------------------|---------------------|---------------------|
| Four | GN | 2.2 | 2.2 | 2.2 |
| | GPL | 1.39 | 1.39 | 1.39 |
| Four 18 po | GN | | | 1.7 |
| | GPL | | | 1.12 |

ÉTAPE 4 : Brûleur de cuisson au grill

- Retirez les 2 vis fixant le support de la buse et identifiez la buse.
- À l'aide d'une clé ouverte de 5/8 po ou 19 mm, retirez la conduite de gaz du support de buse. Retirez la buse du support d'orifice en utilisant une clé ouverte de 1/2 po. Remplacez par une buse de grilloir du four de 0,94 mm.



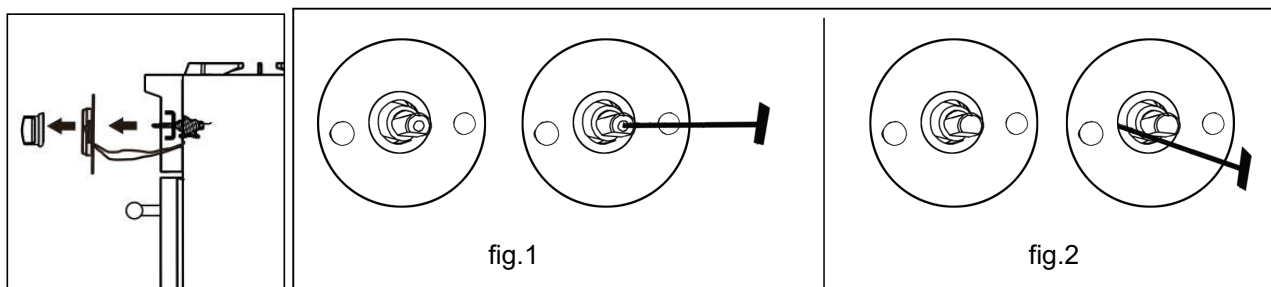
| | | Modèle:FFSGS6439-30 | Modèle:FFSGS6439-36 | Modèle:FFSGS6439-48 |
|----------|-----|---------------------|---------------------|---------------------|
| Grilloir | GN | 1.38 | 1.38 | 1.38 |
| | GPL | 0.94 | 0.94 | 0.94 |

ÉTAPE 5: Vanne de gaz

a. Retirez les boutons de commande.

b. À l'aide d'un tournevis plat, réglez les jets de dérivation du brûleur principal sur 1/4 de tour pour le propane jusqu'à ce que la flamme soit normale. Pour les brûleurs à 9 000btu et à 15 000btu, se reporter à la figure 1, qui se trouve au centre de l'axe de la vanne. Pour les brûleurs de 20 000btu, se reporter à la figure 2, qui se trouve sur le côté gauche de l'axe des soupapes.

VEUILLEZ NOTER : Si la vis des jets de dérivation est trop serrée, l'allumeur s'allumera lorsque le brûleur est réglé au minimum parce que la sortie de gaz est trop basse.

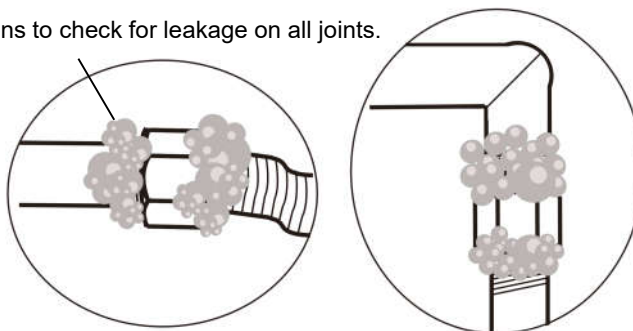


ÉTAPE 6: Reconnectez l'alimentation en gaz et en électricité

Les tests d'étanchéité de la cuisinière doivent être effectués conformément aux consignes d'installation fournies avec la cuisinière.

Avant d'utiliser la cuisinière après la conversion de gaz, vérifiez toujours les fuites à l'aide d'une solution d'eau savonneuse ou une autre méthode acceptable sur les raccords de gaz installés entre le tuyau d'entrée de gaz de la cuisinière, le régulateur de gaz et la vanne d'arrêt manuelle.

Use soapy solutions to check for leakage on all joints.



 AVERTISSEMENT

N'UTILISEZ PAS de flamme pour vérifier les fuites de gaz !

ÉTAPE 7: Brûleur du four à obturateur d'air (le cas échéant)

L'obturateur d'air du brûleur du four peut nécessiter un ajustement en particulier si l'appareil a été converti pour une utilisation avec le PL. La hauteur approximative de la flamme au brûleur du four est d'un pouce (flamme bleue interne distinctive).

Pour déterminer si la flamme du brûleur du four est acceptable:

- a. Une fois la plaque coup de pied retirée, réglez le four pour cuire à 177 °C(350 °F) et observez la flamme. Si la flamme est de couleur jaune, augmentez la taille de l'ouverture de l'obturateur d'air. Si la flamme est bleue et s'éloigne du brûleur, réduisez la taille de l'ouverture de l'obturateur d'air.
- b. Éteignez le four et laissez-le refroidir avant de régler l'obturateur d'air. Pour le réglage, desserrez la vis de blocage, repositionnez l'obturateur d'air et serrez la vis de blocage. Testez de nouveau le brûleur en répétant les étapes ci-dessus. Lorsque la flamme du brûleur présente une couleur bleue distincte et brûle de façon continue, l'obturateur d'air est correctement réglé.

ÉTAPE 8: Installation d'une nouvelle étiquette d'évaluation

Notez le modèle et le numéro de série sur la plaque signalétique PL/Propane fournie dans cette trousse. Les informations peuvent être obtenues à partir de la plaque signalétique existante. Placez la nouvelle plaque aussi près que possible de la plaque signalétique existante de la cuisinière.

Préparation

Avant de déplacer la cuisinière, protégez le fini du revêtement de sol et fermez-la ou les portes du four pour éviter tout dommage.

La/ les porte(s) du four peut être retirée pour alléger la charge ou pour passer l'unité à travers l'embrasure d'une porte. Ne la retirez que si nécessaire. Ne retirez pas la plaque chauffante ni aucun autre composant. Le retrait de la porte ne doit être effectué que par un installateur ou un technicien d'entretien agréé.

Placement

Ne soulevez pas et ne portez pas l'unité par la poignée de la porte.

Utilisez un chariot d'appareil pour déplacer la plage près de l'ouverture. Retirez et recyclez les matériaux d'emballage. Ne jetez pas le support anti-basculement fourni avec la plage.

Nivellement

Augmentez la plage à la hauteur souhaitée en ajustant les jambes. Les jambes peuvent être ajustées en faisant pivoter la patte en métal dans le sens des aiguilles d'une montre pour soulever et dans le sens inverse des aiguilles d'une montre pour abaisser.

Support anti-basculement

Pour empêcher la cuisinière de basculer vers l'avant, vous devez installer le support anti-basculement. Reportez-vous à l'illustration à la page 5.

Raccord d'alimentation en gaz

Tous les raccords à la tuyauterie de gaz doivent être serrés à la clé. Ne serrez pas trop et ne laissez pas les tuyaux tourner lors du serrage.

Une fois tous les raccords effectués, vérifiez si toutes les commandes de la cuisinière sont en position « OFF » et mettez en marche la vanne principale d'alimentation en gaz.

Si un connecteur métallique flexible est utilisé, vérifiez s'il n'est pas plié, puis raccordez la conduite d'alimentation en gaz au régulateur de la cuisinière. Ouvrez la vanne et vérifiez s'il y a des fuites en plaçant une solution de détergent liquide sur tous les raccords de gaz. Les bulles autour des raccords sont des signes indiquant une fuite de gaz. Si une fuite apparaît, fermez la vanne d'arrêt et ajustez les raccords. Les tests de fuite de l'appareil doivent être effectués conformément aux consignes du fabricant. Utilisez de l'eau savonneuse (50 % d'eau et 50 % de savon) ou un détecteur de fuite au niveau de tous les joints et raccords pour vérifier l'étanchéité du système. N'utilisez pas de flamme pour vérifier les fuites de gaz. L'appareil doit être isolé du système de tuyauterie d'alimentation en gaz du bâtiment en fermant sa vanne d'arrêt manuelle individuelle lors de tout test de pression du système de tuyauterie d'alimentation en gaz à une pression de test égale ou inférieure à 0,5 psi (3,5 kPa).

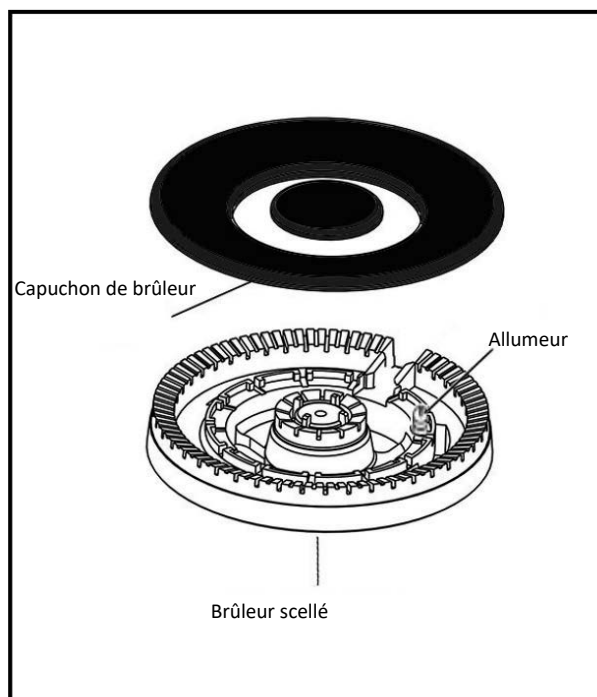
Pour commencer

Avant de commencer à cuisiner, veuillez suivre les étapes suivantes.

- Enlevez l'emballage extérieur et intérieur.
- Enlevez le film protecteur sur les pièces en acier et en aluminium.
- Nettoyez soigneusement la cuisinière en utilisant de l'eau chaude et un détergent doux. Rincez et séchez à l'aide d'un chiffon doux pour éliminer toute trace d'huile ou de graisse laissée par le processus de fabrication.
- Vérifiez si les composants du brûleur de surface sont correctement assemblés.
- Aménagez l'intérieur du four en y insérant les tablettes et le plateau.

Fonctionnement de la table de cuisson

La conception du brûleur rassemble toutes les pièces du brûleur en un seul assemblage. Le capuchon du brûleur doit être assis à plat sur le brûleur. Reportez-vous à l'illustration ci-dessous.



Allumage

Pour allumer les brûleurs de la table de cuisson, appuyez sur le bouton de commande approprié et tournez-le dans le sens antihoraire jusqu'à la position « Hi ».

Vous entendrez un déclic: le son de l'étincelle électrique allumant le brûleur.

Une fois l'allumage du brûleur terminé, tournez le bouton de commande du brûleur pour régler l'intensité de la flamme.

Réglages de chaleur:

| | |
|------------------------|--|
| Hi | Allume les brûleurs. |
| Simmer (Mijoter) | Faire fondre de petites quantités, cuire du riz à la vapeur, réchauffer des aliments, faire fondre du chocolat ou du beurre. |
| Low (Bas) | Faire fondre de grandes quantités. |
| Low-Medium (Bas-moyen) | Faire frire à basse température, frémir de grandes quantités, chauffer du lait, des sauces à la crème, jus de viande. |
| Medium (Moyen) | Sauter et brunir, braiser, poêler, maintenir une ébullition lente sur de grandes quantités. |
| Medium-Hi (Moyen-Hi) | Faire frire à haute température, cuire à la poêle, maintenir une ébullition lente sur de grandes quantités. |
| Hi | Faire bouillir rapidement un liquide, haute friture. |



MISE EN GARDE

Ne laissez jamais les casseroles au réglage élevé sans surveillance. Vous devez être prudent lorsque vous cuisinez des aliments dans l'huile ou la graisse; ils peuvent devenir assez chauds pour s'enflammer.

Mijoter et bouillir

Une flamme plus petite offrira de meilleurs résultats pour mijoter. Les petites flammes offrent des performances de cuisson précises pour des aliments délicats, gardent les aliments au chaud, font fondre le chocolat ou le beurre, et permettent une cuisson à feu doux pendant une longue période.

Le réglage pour flammes plus élevés (plus grands) fournit la chaleur maximale disponible sur votre cuisinière. Ce réglage doit être utilisé pour les cuisson difficiles tels que bouillir de l'eau et cuire des pâtes.

VEUILLEZ NOTER: SEULEMENT LE BRÛLEUR DE 20,000BTU PEUT ATTEINDRE UNE FLAMME "SIMMER"

Dimension de la flamme

- Lorsque vous sélectionnez la dimension de la flamme, il faut l'observer lorsque vous tournez le bouton.
- Toute flamme plus grande que le bas de la casserole est gaspillée.
- La flamme doit être stable et de couleur bleue. Les corps étrangers se trouvant dans la conduite de gaz peuvent provoquer une flamme orange lors de la première utilisation.

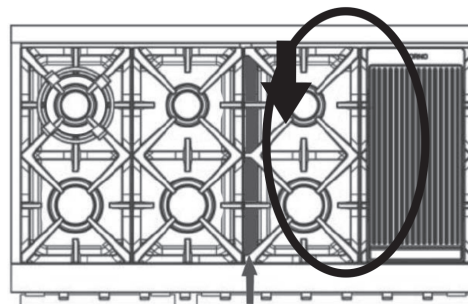
Panne de courant

- Si le gaz ne s'enflamme pas dans les quatre secondes, fermez la vanne et attendez au moins cinq minutes pour que tout le gaz se dissipe. Répétez la procédure d'allumage.
- En cas de panne de courant, les brûleurs de surface peuvent être allumés manuellement. Tenez une allumette allumée près d'un brûleur et tournez le bouton dans le sens antihoraire pour atteindre la position « HI ». Une fois que le brûleur est allumé, tournez le bouton sur le réglage souhaité.

Grilles des brûleurs

1. Les grilles doivent être correctement positionnées avant la cuisson. Une mauvaise installation des grilles peut entraîner des rayures sur la table de cuisson et/ou une mauvaise combustion.
2. Ne faites pas fonctionner les brûleurs sans une casserole ou un ustensile sur les grilles.

VEUILLEZ NOTER: Sur l'unité de 48", il y a un total de 4 grilles, 3 identiques et une unique légèrement plus large que les autres. La grille unique a un côté plus large que l'autre. Le côté le plus large doit recouvrir la jonction médiane de la table de cuisson, créant une grille continue.



48"

Grilles de brûleur

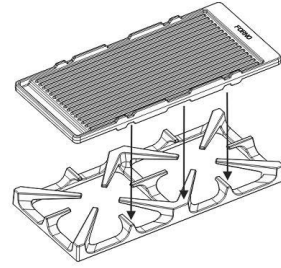
1. Avant la cuisson, les grilles doivent être correctement positionnées. Une installation incorrecte des grilles peut égratigner la table de cuisson et/ou provoquer une mauvaise combustion.

2. Ne faites pas fonctionner les brûleurs sans casserole ni ustensile sur les grilles.

Utilisation de la grille chauffante (disponible sur les modèles 48pouces)

Avant d'utiliser la grille chauffante

1. Nettoyez soigneusement la grille chauffante à l'aide d'eau tiède savonneuse pour éliminer la poussière ou tout revêtement protecteur.
2. Rincez à l'eau claire et essuyez à l'aide d'un chiffon / une serviette douce, propre et non pelucheuse.



Utilisation de la grille chauffante

Votre cuisinière **FORNO** peut avoir été livré avec un grille réversible standard. Pour une utilisation optimale et de meilleurs résultats, veuillez lire ci-dessous.

Préchauffer doucement - Parce que la grille FORNO est si grande qu'elle peut prendre du temps afin qu'elle chauffe uniformément. Une fois qu'elle atteint la température de cuisson, elle sera en mesure de la préserver pour une longue période! Nous vous recommandons de régler les brûleurs de votre cuisinière à feu doux et d'augmenter progressivement l'intensité de ceux-ci jusqu'à ce que vous arriviez à votre température cible. Il est plus facile de rendre une grille plus chaude une fois qu'elle est déjà réchauffée, en préchauffant lentement, vous pouvez contrôler la chaleur plus facilement. Pour être efficace avec votre temps, vous pouvez commencer le processus de préchauffage pendant que vous préparez vos ingrédients. En suivant les étapes précédentes, le préchauffage complet de la grille Forno prendra généralement 10-15 minutes. Ensuite, profitez de votre expérience culinaire sur la grille FORNO.

Commencez bas et ne surchauffez pas! - Vous pourriez avoir l'envie de tourner vos brûleurs jusqu'à leur intensité maximal la première fois que vous utilisez la grille FORNO, mais ne le faites pas! Les brûleurs ont seulement besoin d'être réglés à 1/3 à 1/2 de puissance pour chauffer la grille à plus de 500 degrés. La plupart des chefs conviennent que la température de cuisson maximale dont vous aurez besoin est de 500 à 550 degrés pour cuire un steak.



MISE EN GARDE

La surface de la grille chauffante est chaude après utilisation. Veuillez allouer suffisamment de temps pour qu'elle se refroidisse avant de la nettoyer.

Conseils de nettoyage de la table de cuisson

- Pour éviter que la table de cuisson ne se décolore ou ne se tache, nettoyez-la après chaque utilisation et essuyez les éclaboussures acides ou sucrées dès le refroidissement de la table de cuisson.
- Les brûleurs scellés de votre cuisinière ne sont pas fixés à la table de cuisson et sont conçus pour être enlevés. Les excès d'ébullition ou les débordements ne s'infiltreront pas sous la table de cuisson. Les brûleurs doivent être nettoyés après chaque utilisation.

Lumière du four



La lampe du four est contrôlée par un bouton-poussoir se trouvant sur le panneau de commande. Cette lumière peut être utilisée pendant la cuisson ou le nettoyage du four.



AVERTISSEMENT

Vérifiez si l'alimentation est débranchée du boîtier électrique avant de remplacer l'ampoule. Laissez le four se refroidir complètement, puis dévissez le couvercle de la lampe et retirez l'ampoule en la dévissant par la base. Remplacez-la par une ampoule halogène de 40 watts.

Interrupteur d'éclairage à DEL

Utilisez l'interrupteur d'éclairage LED pour allumer les lumières LED lorsque la pièce devient sombre.

Fonctionnement du four

Conseils pour la cuisson au four

1. Ne couvrez jamais les fentes, orifices ou ouvertures se trouvant au fond du four et ne couvrez pas la grille entière par des matériaux tels que du papier aluminium. Cette action bloque la circulation de l'air dans le four et peut causer une intoxication au monoxyde de carbone. Le revêtement en aluminium peut également piéger la chaleur et cela présente un risque d'incendie. N'utilisez pas de papier d'aluminium sur une surface en porcelaine. Cela endommagerait la porcelaine et affecterait sa durabilité.
2. Positionnez les grilles avant de préchauffer le four.
3. Réduisez la température du four de 14°C (57.2 °F) lors de la cuisson dans des plats en verre résistant à la chaleur ou en vitrocéramique.

Préchauffage

Préchauffer le four avant de le mettre au four. Lors de la cuisson des gâteaux, biscuits, pâtisseries et pains, le préchauffage est nécessaire pour obtenir de bons résultats.

Retirer tous les ustensiles de cuisson avant de les préchauffer à l'aide d'un brûleur à four ou d'un four infrarouge. La nourriture colle au métal chaud. Lorsque vous Préchauffez, réglez le bouton de sélection du four à la température souhaitée. Attendre que le feu rouge s'éteigne avant de mettre la nourriture au four.

Note: lors du préchauffage, la condensation ou l'atomisation à l'intérieur du verre de porte du four est normale et s'évapore généralement à la fin du cycle de préchauffage.

Fonction du four

La cuisson à débit d'air naturel se produit lorsque la chaleur est transférée dans le four par les brûleurs situés au fond de la cavité du four. La chaleur circule ensuite à l'aide du débit d'air naturel. Il s'agit d'un réglage de cuisson traditionnel.

Cuisson par convection

La chaleur est transférée depuis les brûleurs de cuisson situés dans la partie inférieure de la cavité du four vers la cavité même du four. Le ventilateur de convection situé à l'arrière du four la fait ensuite circuler. Ce processus de convection permet une distribution plus uniforme de la chaleur dans toute la cavité du four. L'utilisation de plusieurs grilles est possible pour la cuisson d'une grosse fournée. La cuisson par convection est plus rapide et peut être faite à des températures plus basses en fournissant des températures plus égales que la cuisson normale.

Rôtissage par convection

Le ventilateur de convection fait circuler l'air chauffé uniformément sur et autour des aliments. À l'aide d'une lèchefrite, l'air chauffé circulera autour des aliments à rôtir. L'air chauffé scelle les jus. rapidement les jus pour obtenir un plat moelleux et tendre tout en dorant parfaitement l'extérieur. Lors du rôtissage par convection, il est important d'utiliser la grill-lèchefrite pour obtenir de meilleurs résultats de rôtissage par convection. La lèchefrite est utilisée pour capter les éclaboussures de graisse et possède un couvercle servant à éviter les éclaboussures de graisse.

Dégivrage par convection

Lorsque le contrôle de la température est désactivé, le ventilateur motorisé situé à l'arrière du four fait circuler l'air. Le ventilateur accélère le dégivrage naturel des aliments sans chaleur. Ne laissez pas les aliments décongeler au four plus de deux heures sans être cuits afin d'éviter des maladies et du gaspillage alimentaire.

Déshydratation par convection

Grâce au contrôle de la température à 79,5 °C (175°F), l'air chaud est émis par les brûleurs de cuisson au fond de la cavité du four et est mis en circulation par un ventilateur motorisé à l'arrière du four. Après un certain temps, l'eau est éliminée des aliments par évaporation. L'élimination de l'eau inhibe la croissance des micro-organismes et retarde l'activité des enzymes.

Fonctionnement du grilloir

Remarque: Au cours de la cuisson au grilloir, la porte doit être fermée.

Le brûleur du grilloir est situé dans la partie supérieure du four. Ce brûleur chauffe l'écran en métal jusqu'à ce qu'il devienne lumineux. L'écran incandescent produit de la chaleur, saisissant l'extérieur des aliments grillés et scellant les jus. La cuisson au grilloir est une méthode de cuisson pour les morceaux de viande tendres directement sous le grilloir du four. Le grillage au four se fait la porte du four fermée. Il est normal et même nécessaire d'avoir de la fumée pour donner une saveur grillée aux aliments.

Réglage du grilloir

Le bouton de sélection « Oven » contrôle la fonctionnalité du grilloir. Lors de la cuisson au grilloir, la chaleur est diffusée vers le bas pour une couverture uniforme. La température de la fonction du grilloir est de 260 °C (500 °F).

Utilisés ensemble, la grille-lèche-frite (Non inclus) et l'insertion permettent à la graisse qui s'égoutte de s'écouler et de rester à l'écart de la chaleur intense de grilloir du four. N'UTILISEZ PAS la lèche-frite sans l'insertion. NE COUVREZ PAS l'insertion de la grille-lèche-frite par un papier d'aluminium. La graisse exposée pourrait prendre feu. Pour régler le four pour le grilloir :

1. Mettez l'insertion sur la grille-lèche-frite. Ensuite, mettez les aliments sur l'insertion de la grille-lèche-frite.
2. Ajustez la grille intérieure du four et mettez la grille-lèche-frite sur la grille. Assurez-vous de mettre la grille-lèche-frite au centre et placez-la directement sous le brûleur du grilloir. Si vous préchauffez d'abord le brûleur du grilloir, positionnez la grille-lèche-frite après le préchauffage du brûleur de grilloir.
3. Tournez le sélecteur sur « Broil ».
Le voyant du four reste allumé jusqu'à ce que le sélecteur soit tourné vers la position éteinte ou que le contrôle de la température soit désactivé.

Placez la grille au bon niveau. Plus la nourriture est éloignée du grilloir, plus elle sera cuite à l'intérieur. Le Préchauffer le four est nécessaire. Appuyez sur le bouton et tournez-le sur BROIL. Retournez la nourriture à la mi-cuisson. Tirez toujours la grille vers l'extérieur jusqu'à la position d'arrêt avant de tourner ou de retirer les aliments..

Conseils de nettoyage du four

1. Après chaque utilisation et une fois le four refroidi, nettoyez immédiatement les éclaboussures et les déversements.
2. Ne laissez pas les aliments riches en sucre ou en acide sur la surface de la cavité du four.
3. Utilisez un nettoyeur destiné au four pour nettoyer sa cavité.

Thermostat du four et temps de cuisson

Les chiffres imprimés sur le panneau de commande indiquent l'augmentation de la température du four (°F). Pour régler la température, définissez le chiffre souhaité sur l'indicateur du bouton de commande.

Remarque: La position BROIL sert uniquement à l'allumage du brûleur du grilloir.

La durée de cuisson peut varier en fonction du type d'aliment, de sa densité et de sa quantité. Au cours de la première cuisson, il est recommandé de surveiller et de vérifier les résultats car les résultats similaires sont obtenus lors de la préparation de mêmes plats dans les mêmes conditions.

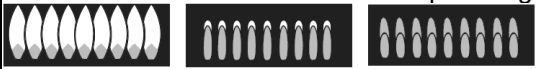
Utilisez le thermostat pour contrôler les températures et le temps en fonction des guides de cuisson.

Recommandations d'entretien et de nettoyage

| | |
|---------------------|--|
| Acier inoxydable | Utilisez un nettoyant pour acier inoxydable non abrasif et appliquez-le à l'aide d'un chiffon doux et non pelucheux. Pour faire ressortir le lustre naturel, essuyez légèrement la surface avec un chiffon en microfibre suivi d'un chiffon de polissage sec. Suivez toujours le grain de l'acier inoxydable. |
| Grilles du brûleur | Retirez et placez sur une surface plane près de l'évier. Nettoyer avec de l'eau chaude et un détergent doux ou une pâte de bicarbonate de soude et d'eau. Ne pas plonger dans l'eau. Essuyez avec une serviette et frottez légèrement avec de l'huile d'olive. Cela aide les grilles à conserver leur éclat et à éviter l'apparition de rouille. Tout reste d'eau sur les grilles peut entraîner de la rouille ou des marques. |
| Plateau de brûleur | Enlevez les débris de surface avant le nettoyage pour accélérer le processus et réduire les risques d'égratigner la surface pendant le nettoyage. En utilisant des nettoyants abrasifs doux ou des dégraissants en aérosol, nettoyez et rincez la surface et séchez immédiatement pour éviter les rayures. Pour nettoyer les taches d'eau calcaire, utilisez du vinaigre blanc et de l'eau. Rincez et séchez immédiatement. |
| Brûleurs de surface | Laisser refroidir. Utilisez un détergent doux ou un dégraissant en aérosol pour nettoyer. Rincer à l'eau et sécher avec une serviette. REMARQUE : La cuisinière à gaz de style Pro nécessite un niveau élevé d'entretien, si les orifices sont obstrués ou que les brûleurs sont sales, ils pourraient cesser de fonctionner. Si c'est le cas, retirez-les, nettoyez-les soigneusement et éliminez tout excès d'eau. Forno n'est pas responsable des problèmes liés à la maintenance. |
| Boutons de commande | À l'aide d'un chiffon humide, essuyez en utilisant un détergent doux ou un dégraissant en aérosol; rincez et séchez. Ne pas les placer au lave-vaisselle. |
| Intérieur du four | Utilisez des nettoyants abrasifs doux et des dégraissants en aérosol. Utilisez une lame de rasoir pour soulever délicatement les aliments cuits de la cavité du four et de la fenêtre. Quant aux taches tenaces, vaporisez à l'aide d'un nettoyant abrasif doux ou un dégraissant en aérosol. Lavez toute la cavité du four en utilisant du savon et de l'eau pour éliminer tous les produits chimiques de nettoyage. |
| Grilles du four | Pour nettoyer la grille supérieure, utilisez un détergent doux et un tampon récurant. Rincez et séchez. Pour nettoyer le fond de la lèchefrite, enlevez la graisse et lavez à l'eau chaude et avec un détergent doux. Rincez et séchez. La grille supérieure en acier inoxydable va au lave-vaisselle. Cependant, ne placez pas au lave-vaisselle la grille recouverte de porcelaine ni le plat. |

Conseils de dépannage

Avant d'appeler le service d'assistance

| | |
|---|---|
| La cuisinière ne fonctionne pas | Vérifiez si la cuisinière est mise sous tension. Vérifiez que l'alimentation électrique de la cuisinière et du disjoncteur domestique est activée. |
| Les brûleurs ne s'allument pas ou ne produisent pas d'étincelles de manière aléatoire | La prise électrique n'est pas branchée sur une prise de courant sous tension. L'alimentation en gaz n'est pas activée. Les pièces du brûleur ne sont pas remplacées correctement. Les orifices dans les anneaux de cuisson ou les fentes des brûleurs sont obstrués. Buses obstruées, brûleurs ou électrodes humides. Un fusible dans votre maison peut avoir sauté ou un disjoncteur peut s'être déclenché. |
| Les brûleurs ont des flammes jaunes ou sautillantes | Les pièces du brûleur ne sont pas correctement remplacées. A. Flammes jaunes: Appelez le service. B. Extrémités jaunes sur les cônes extérieurs: normal pour le gaz propane (PL). C. Flammes bleues douces: normal pour le gaz naturel.  Si les flammes du brûleur ressemblent à (A), contactez le service d'assistance. Les flammes normales des brûleurs doivent ressembler à (B) ou à (C), selon le type de gaz |
| Les flammes des brûleurs sont très grandes ou jaunes | La cuisinière peut être connectée au mauvais type de carburant. Contactez la personne qui l'a installée ou qui a effectué sa conversion. |
| Les flammes des brûleurs contiennent des scintillements orangés | Poussière en suspension dans l'air; humidificateur à vapeur froide; débris sur ou à l'intérieur du brûleur |
| Les lampes du four ne fonctionnent pas | Si l'ampoule est défectueuse, remplacez-la. |
| Les grilles du four sont difficiles à faire glisser | Ne vaporisez pas d'aérosol de cuisson ou d'autres lubrifiants en aérosol. Voir Grilles de four à extension totale dans la section Entretien et Nettoyage. |
| La nourriture n'est pas correctement cuite ou rôtie | Les commandes du four sont mal réglées. Voir la section Cuisson au four ou Rôtissage. Le four n'est pas préchauffé pour une période suffisante. |

| | |
|--|---|
| | <p>Batterie de cuisine inappropriée ou mauvaises dimensions de casserole utilisée. Grilles dans la mauvaise position. Voir la section Cuisson au four ou Rôtissage. Utilisez une tente en aluminium pour ralentir le brunissage pendant la cuisson.</p> <p>Le thermostat du four doit être ajusté. Voir la section Réglage du thermostat du four.</p> |
| La nourriture ne grille pas correctement | <p>Ce modèle est destiné au grillage à porte fermée uniquement. Fermez la porte. Grillez toujours la porte fermée.</p> <p>Les commandes du four ne sont pas réglées sur BROIL. Voir la section Grillage.</p> <p>Mauvaise position de la grille.</p> <p>Les ustensiles de cuisine ne conviennent pas au grillage. Utilisez la grille-lèche-frite et la grille fournies avec votre four.</p> <p>La feuille d'aluminium utilisée sur la grille-lèche-frite et la grille n'a pas été correctement installée et fendue comme recommandé.</p> |
| La température du four est trop haute ou trop basse | Besoin d'ajuster le réglage de la température du bouton du four. |
| Vapeur provenant de l'évent | Lorsque vous utilisez le mode convection, il est normal que de la vapeur s'échappe de l'évent du four. Plus le nombre de grilles ou la quantité d'aliments cuits augmente, plus la quantité de vapeur visible augmente. |
| Odeur de brûlé ou d'huile émise par l'évent | Ceci est normal dans un nouveau four et disparaîtra avec le temps. |
| Odeur forte | C'est temporaire. Au cours des premières utilisations du four, une odeur causée par l'isolation autour de l'intérieur du four est normale. |
| Ventilateur de convection pas toujours activé | <p>Le ventilateur de convection (selon la fonctionnalité utilisée) peut être activé et désactivé jusqu'à ce que la fonction soit terminée ou que la porte soit ouverte pour optimiser les performances.</p> <p>Cela est normal. En outre, le ventilateur de convection peut tourner dans le sens horaire jusqu'à ce que la fonction soit terminée ou que la porte soit ouverte.</p> |
| Condensation ou buée à l'intérieur de la vitre de la porte | Pendant le préchauffage du four, la condensation ou la formation de buée à l'intérieur de la vitre de la porte du four est normale et elle s'évaporera généralement à la fin du cycle de préchauffage. |
| Son de craquement ou d'éclatement pendant le nettoyage | C'est normal. C'est le son du métal chauffant et refroidissant pendant les fonctions de cuisson et de nettoyage. |
| Une fumée excessive se produit pendant le nettoyage | Le four est très sale. Tournez le sélecteur de mode du four et les boutons de température sur OFF. Ouvrez les fenêtres pour débarrasser la pièce de la fumée. Attendez que le voyant de la porte verrouillée s'éteigne. Essayez l'excès de saleté et nettoyez à nouveau. |

À LIRE AVANT D'UTILISER VOTRE FOUR



Pour les modèles de cuisinière Forno de style commercial :
FFSGS6444, FFSGS6356, FFSGS6460, FFSGS6387, FFSGS6439, FFSGS6325,
informations utiles pour votre four :

- Ce four est très puissant.
- Pour éviter les brûlures, veuillez utiliser des gants de cuisine lorsque vous manipulez les grilles du four et faites attention à ne pas toucher la porte du four pendant le fonctionnement.
- Tous les boutons peuvent atteindre 50,5 °C (123 °F) lorsque le four est en marche - bien que la réglementation standard mentionne 64,4 °C (148°F) maximum, veuillez faire preuve de prudence.
- Pour une meilleure efficacité de grillage, préchauffez à 260 °C (500 °F) pendant 8 minutes.

Conseils culinaires :

1-Pizza : Placez la grille au niveau inférieur à 190,5 °C (375 °F) pendant 16 minutes, puis faites-la griller 2 à 3 minutes au niveau supérieur.

2-Légumes : Placer la grille au deuxième niveau en partant du bas à 176,6 °C (350 °F) pendant 14 à 17 minutes.

3-Placez la grille au niveau du milieu à 176,6 °C (350 °F) pendant

Poisson : 4 à 6 minutes

Viandes 10 oz : 9 à 14 minutes

Poulet 8 oz : 14 à 19 minutes

4- Dinde et viandes braisées :

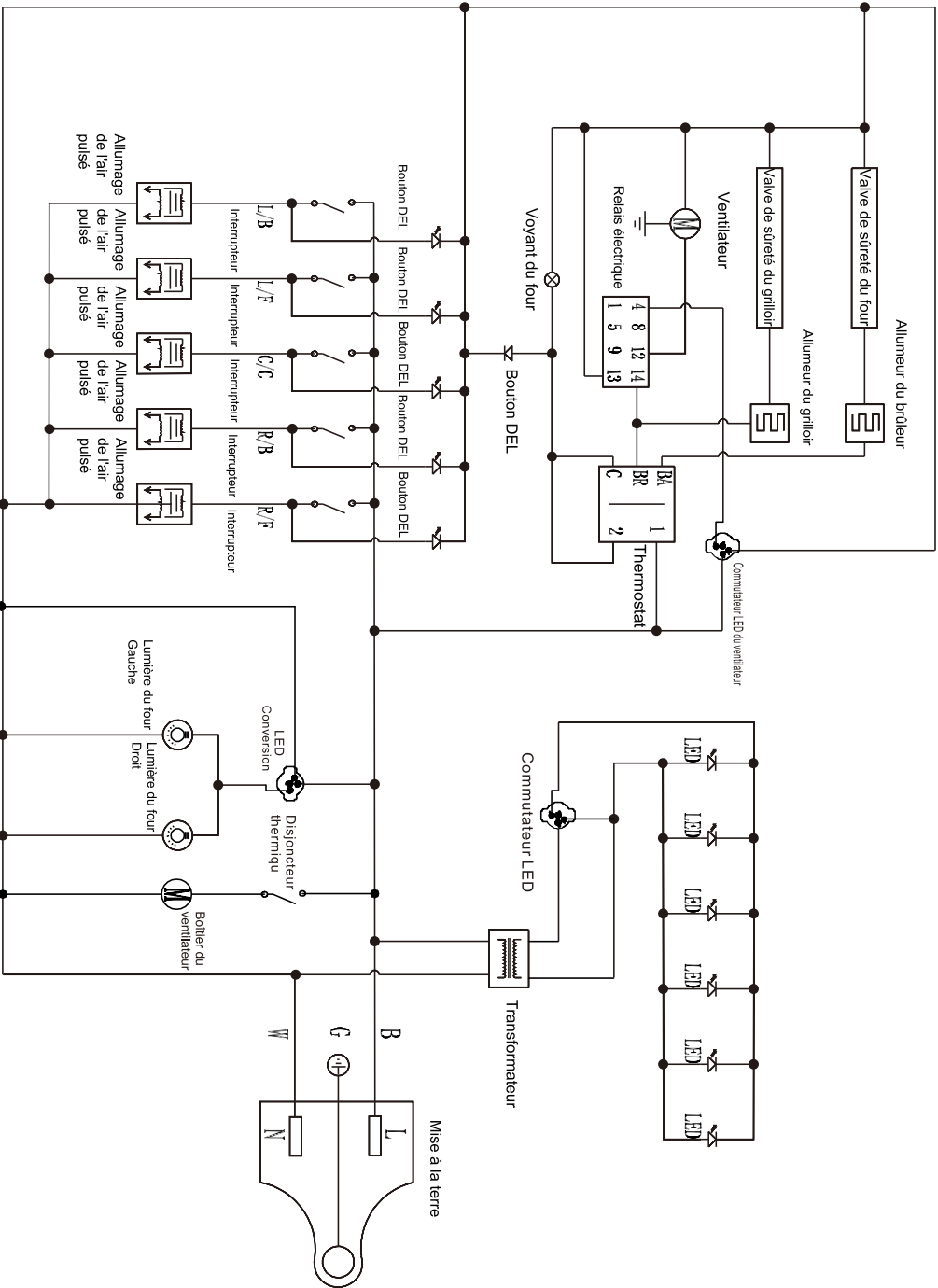
Placez la grille au niveau inférieur à 176,6 °C (350 °F), il n'est pas nécessaire d'augmenter la température de cuisson au-dessus de 176,6 °C (350 °F) pendant les 20 premières minutes.

forno.ca
1-866-231-8893
info@forno.ca

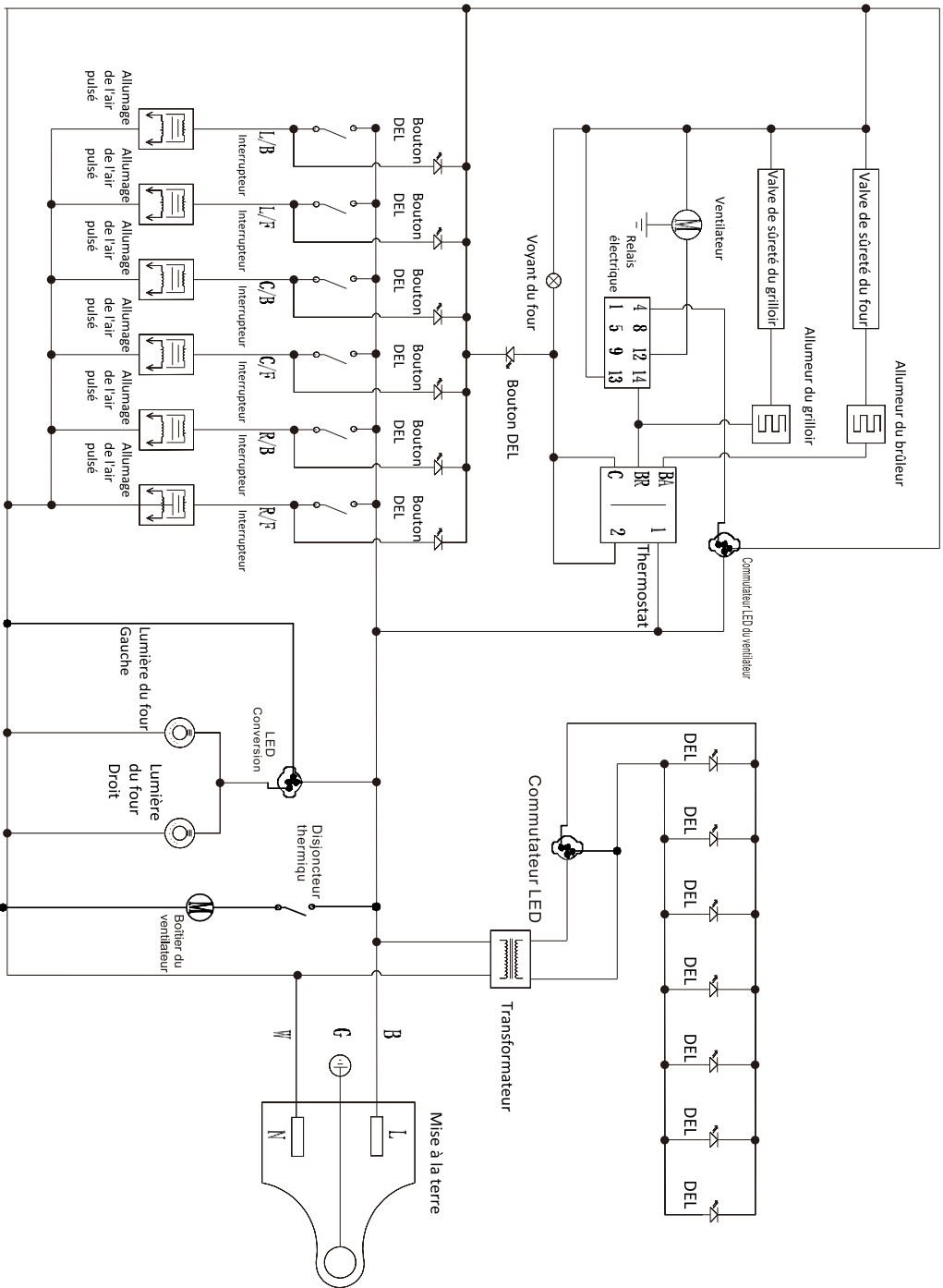


Diagrammes de câblage

FFSGS6439-30



Mise en garde : Marquez tous les fils avant de les débrancher lors de l'entretien des commandes. Les erreurs de câblage peuvent entraîner un dysfonctionnement et des dangers. Vérifiez le bon fonctionnement après l'entretien.



Mise en garde : Marquez tous les fils avant de les débrancher lors de l'entretien des commandes. Les erreurs de câblage peuvent entraîner un dysfonctionnement et des dangers. Vérifiez le bon fonctionnement après l'entretien.



COCINA DE GAS INDEPENDIENTES CON PUERTAS FRANCESAS



**GUÍA DE INSTALACIÓN
ESPECIFICACIONES, INSTALACIÓN Y MÁS**

NÚMEROS DE MODELO

| | | |
|---|---|---|
|  |  |  |
| FFSGS6439-30 | FFSGS6439-36 | FFSGS6439-48 |

Índice

| | |
|---|----|
| Servicio al cliente | 3 |
| Garantía | 4 |
| Información para el cliente | 6 |
| Información Importante De Seguridad | 8 |
| Características de su cocina | 12 |
| Instrucciones de instalación | 13 |
| Instalación de la manija de la puerta | 14 |
| Instalación de las rejillas del los quemador de la placa de cocción | 15 |
| Electricidad | 15 |
| Suministro de gas | 16 |
| Regulador de presión | 17 |
| Válvula de cierre de gas | 17 |
| Dimensiones del producto y gabinetes | 18 |
| Instalación de la campana extractora. | 22 |
| Operación de conversión de gas | 22 |
| Conexión del suministro de gas. | 28 |
| Funcionamiento de la placa de cocción | 28 |
| Encendido | 28 |
| Cocinar a fuego lento y hervir | 29 |
| Rejillas del quemador | 29 |
| Uso de la parrilla | 30 |
| Consejos para limpiar la placa de cocción | 30 |
| Luz del horno | 30 |
| Interruptor de luz LED | 30 |
| Funcionamiento del horno | |
| Precalentamiento | 31 |
| Horneado por convección | 31 |
| Asado por convección | 31 |
| Funcionamiento del asador | |
| Ajuste del asador | 32 |
| Consejos de limpieza del horno | 32 |
| Termostato del horno y tiempo de cocción | 32 |
| Recomendaciones de mantenimiento y limpieza | 33 |
| Consejos para solucionar problemas | 34 |
| Lea estas indicaciones antes de utilizar su horno | 36 |
| Diagramas de cableado | 37 |

Atención al cliente

Gracias por comprar un producto FORNO. Lea el manual de instrucciones completamente antes de utilizar su nuevo electrodoméstico por primera vez. Si usted es un usuario ocasional o ya un experto, resulta siempre beneficioso familiarizarse con las prácticas de seguridad, características, funcionamiento y recomendaciones de cuidado de su electrodoméstico.

Tanto el modelo como el número de serie figuran en el producto. Para la garantía, también necesitará la fecha de compra. Registre las informaciones a continuación para referencia futura:

INFORMACIONES DE SERVICIO:

Número del modelo :

Use estos números en cualquier correspondencia o llamadas de servicio relacionadas con su electrodoméstico.

Número de serie :

Si recibió un electrodoméstico dañado, comuníquese inmediatamente **FORNO**.

Fecha de compra :

Ahorre tiempo y dinero. Antes de llamar al servicio técnico, consulte la Guía de solución de problemas. Enumera las causas de los problemas de funcionamiento menores que puede corregir usted mismo.

Dirección del lugar de compra y teléfono :

SERVICIO EN CANADA Y LOS ESTADOS UNIDOS:

Mantenga el manual de instrucciones a mano para responder sus preguntas. Puede encontrar toda la información en línea www.fornoappliances.com.

Si no entiende o necesita más ayuda, visite nuestro sitio web o correo electrónico: mysupport@forno.ca

Si tiene alguna pregunta, Póngase en contacto con el servicio al cliente FORNO. Tenga en cuenta que antes de enviar al proveedor de servicios, es necesario solucionar problemas con el representante de servicio al cliente. Todo el trabajo de garantía requiere la autorización del Departamento de atención al cliente de FORNO. Todos nuestros proveedores de servicios autorizados han sido cuidadosamente seleccionados y estrictamente capacitados por nosotros.

Garantía

Qué cubre esta garantía limitada:

La cobertura de garantía proporcionada por Forno en esta declaración se aplica exclusivamente al dispositivo ("Producto") vendido al consumidor ("Comprador") por un revendedor/distribuidor/minorista autorizado de Forno, comprado e instalado en los Estados Unidos o Canadá, y que siempre ha permanecido en el país original de compra (Estados Unidos o Canadá). La cobertura de la garantía se activa en la fecha de compra original y tiene un plazo de dos (2) años.

La cobertura de la garantía no es transferible. En caso de reemplazo de piezas o del producto completo, el producto (o piezas) de reemplazo asumirá el resto de la garantía original activada con el comprobante de compra original. Esta garantía no se extenderá con respecto a dicho reemplazo. Forno reparará o reemplazará cualquier componente / pieza que falle o se encuentre defectuoso debido a materiales y / o mano de obra dentro de los 2 años posteriores a la fecha de compra minorista inicial y bajo condiciones residenciales ordinarias no comerciales. La reparación o el reemplazo serán gratuitos, incluida la mano de obra a tarifas estándar y los gastos de envío. El comprador es responsable de hacer que el producto sea razonablemente accesible para el servicio. El servicio de reparación debe ser realizado por una empresa de servicio autorizada de Forno durante las horas normales de trabajo.

IMPORTANTE

Conserve el comprobante de compra original para establecer el período de garantía. La responsabilidad de Forno por cualquier reclamación de cualquier tipo, con respecto a los bienes y/o servicios suministrados, en ningún caso excederá el valor de los bienes o servicios o de la parte que dio lugar a la reclamación.

Garantía cosmética de 30 días

El Comprador debe inspeccionar el producto en el momento de la entrega. Forno garantiza que el Producto está libre de defectos de materiales y mano de obra durante un período de treinta (30) días a partir de la fecha original de compra del Producto.

Esta cobertura incluye:

Manchas de pintura

Abrasiones

Defectos de acabado macroscópicos

La garantía cosmética NO cubre:

Problemas resultantes de un transporte, manipulación y/o instalación inadecuados (por ejemplo, abolladuras, estructuras o componentes rotos, deformados o deformados, componentes de vidrio agrietados o dañados);

Ligeras variaciones de color en componentes pintados / esmaltados;

Diferencias causadas por iluminación natural o artificial, ubicación u otros factores similares;

Manchas/corrosión/decoloración causadas por sustancias externas y/o factores ambientales;

Costos de mano de obra, exhibición, piso, stock B, electrodomésticos listos para usar, "tal cual" y unidades de demostración.

Cómo recibir el servicio

Para recibir los servicios de garantía, el comprador debe ponerse en contacto con el departamento de soporte de Forno para determinar el problema y los procedimientos de servicio requeridos. *Será necesario solucionar problemas* con un representante de servicio al cliente antes de seguir adelante con el servicio. Se solicitará el número de modelo original, el número de serie y la fecha de compra de venta al público.

Descargo de responsabilidad de garantía: Lo que no está cubierto

> El uso del producto en cualquier lugar no residencial, aplicación comercial. Uso del Producto para cualquier otra cosa que no sea su propósito previsto.

> Servicios de reparación proporcionados por cualquier persona que no sea una Agencia de Servicio Autorizada de Forno.

> Servicios de daño o reparación para corregir servicios prestados por partes no autorizadas o uso de piezas no autorizadas.

> Instalación que no cumple con los códigos de incendios locales/estatales/municipales/del condado, códigos eléctricos, códigos de gas, códigos de plomería, códigos de construcción, leyes o reglamentos.

> Defectos o daños debidos a un almacenamiento inadecuado del Producto.

> Defectos, daños o piezas faltantes en productos vendidos fuera del embalaje o exhibiciones originales. Llamadas de servicio o reparaciones para corregir un error en la instalación del Producto y/o accesorios asociados.

> Reemplazo de piezas/llamadas de servicio para conectar, convertir o reparar cableado eléctrico y/o línea de gas con el fin de utilizar correctamente el producto.

> Sustitución de piezas/llamadas de servicio para proporcionar instrucciones e información sobre el uso del Producto.

> Reemplazo de piezas/llamadas de servicio para corregir problemas resultantes del uso del producto de una manera distinta a la normal y habitual para uso residencial.

circundante, incluidos muebles, armarios, suelos, paneles y otras estructuras que rodean el Producto. Forno no es responsable de los Productos si se encuentra en un área remota o en un área donde técnicos capacitados

> Reemplazo de piezas/llamadas de servicio debido al desgaste de componentes como juntas, botones, soportes de sartén, estantes, cestas de cubiertos, botones, pantallas táctiles, bandejas vitrocerámicas rayadas o rotas.

> Reemplazo de piezas / Llamadas de servicio en caso de falta / mantenimiento deficiente, que incluye pero no se limita a: acumulación de residuos, manchas, arañazos, decoloración, corrosión.

> Defectos y daños resultantes de accidentes, alteración, mal uso, abuso o instalación incorrecta.

> Defectos y daños resultantes del Producto de Transporte, Logística y Manipulación. La inspección del producto debe realizarse en el momento de la entrega. Tras la recepción e inspección, el distribuidor / empresa de entrega vendedora debe ser informado de cualquier problema que surja de la manipulación, el transporte y la logística.

> Defectos y daños resultantes de fuerzas externas fuera del control de Forno, incluidos, entre otros, viento, lluvia, arena, fuego, inundación, deslizamientos de tierra, temperaturas bajo cero, humedad excesiva o exposición prolongada a la humedad, sobretensiones, rayos, fallas estructurales que rodean el dispositivo y otros actos de Dios.

> Productos cuyo número de serie ha sido alterado/dañado. En ningún caso Forno es responsable de los daños a la propiedad certificados no están razonablemente disponibles. El Comprador asumirá todos los costos de transporte y entrega del Producto al centro de servicio autorizado o los gastos de viaje adicionales de un técnico certificado.

NO HAY GARANTÍAS EXPRESAS DISTINTAS DE LAS ENUMERADAS Y DESCRITAS ANTERIORMENTE, Y NO HAY GARANTÍAS, EXPRESAS O IMPLÍCITAS, INCLUIDAS, ENTRE OTRAS, LAS GARANTÍAS IMPLÍCITAS DE COMERCIABILIDAD O IDONEIDAD PARA UN PROPÓSITO PARTICULAR QUE SE APLICARÁN DESPUÉS DE LOS PERÍODOS DE GARANTÍA EXPRESOS ESTABLECIDOS ANTERIORMENTE, Y NINGUNA OTRA GARANTÍA A EXPRESA O GARANTÍA A OTORGADA POR NINGUNA PERSONA, LA EMPRESA O EMPRESA CON RESPECTO A ESTE PRODUCTO SERÁ OBLIGATORIA PARA FORNO. FORNO NO SERÁ RESPONSABLE POR PÉRDIDA DE INGRESOS O BENEFICIOS, FALTA DE AHORROS U OTROS BENEFICIOS, TIEMPO FUERA DEL TRABAJO, COMIDAS, PÉRDIDA DE ALIMENTOS O BEBIDAS, GASTOS DE VIAJE U HOTEL, COSTOS DE ALQUILER O COMPRA DE ELECTRODOMÉSTICOS, GASTOS DE REMODELACIÓN / CONSTRUCCIÓN MAYORES QUE EL DAÑO DIRECTO INNEGABLE CAUSADO EXCLUSIVAMENTE POR FORNO O CUALQUIER OTRO ESPECIAL, DAÑOS INCIDENTALES O CONSECUENTES CAUSADOS POR EL USO, MAL USO O IMPOSIBILIDAD DE USO DE ESTE PRODUCTO, INDEPENDIENTEMENTE DE LA TEORÍA ALEGAL EN LA QUE SE BASE LA RECLAMACIÓN, E INCLUSO SI FORNO HA SIDO ADVERTIDO DE LA POSIBILIDAD DE TALES DAÑOS. ADEMÁS, LA RECUPERACIÓN DE CUALQUIER TIPO CONTRA FORNO NO SERÁ SUPERIOR AL PRECIO DE COMPRA DEL PRODUCTO VENDIDO POR FORNO Y CAUSANTE DEL DAÑO ALEGADO. SIN PERJUICIO DE LO ANTERIOR, EL COMPRADOR ASUME TODOS LOS RIESGOS Y RESPONSABILIDADES POR PÉRDIDAS, DAÑOS O LESIONES A LA PROPIEDAD DEL COMPRADOR Y DEL COMPRADOR Y OTROS Y SUS PROPIEDADES QUE SURJAN DEL USO, MAL USO O IMPOSIBILIDAD DE USAR ESTE PRODUCTO VENDIDO POR FORNO QUE NO SEA EL RESULTADO DIRECTO DE NEGLIGENCIA POR PARTE DE FORNO. LA GARANTÍA LIMITADA NO SE EXTENDERÁ A NADIE MÁS QUE AL COMPRADOR ORIGINAL DE ESTE EL PRODUCTO NO ES TRANSFERIBLE Y ESTABLECE SU RECURSO EXCLUSIVO.

INFORMACIÓN PARA EL CLIENTE

Seguridad de la cocina

Su seguridad y la de los demás son muy importantes.

Esta guía y el propio artefacto proporcionan muchos mensajes de seguridad importantes. Lea y aplique todos los mensajes de seguridad.



Este es un símbolo de alerta de seguridad que le advierte sobre posibles riesgos de seguridad para las personas o para la propiedad. Respete todos los mensajes de seguridad para evitar daños a la propiedad, lesiones corporales, incluso la muerte.



ADVERTENCIA

ADVERTENCIA indica una situación potencialmente peligrosa que, si no se evita, podría provocar la muerte o lesiones graves.



PRECAUCIÓN

PRECAUCIÓN indica una situación de peligro moderado que, si no se evita, podría provocar lesiones leves o moderadas.

Todos los mensajes de seguridad le alertarán sobre el peligro potencial y cómo reducir el riesgo de lesiones y le dirán qué puede suceder si no sigue las instrucciones.



ADVERTENCIA

Si no sigue minuciosamente la información y consejos en esta guía, puede ocurrir un incendio o explosión y causar daños a la propiedad, lesiones graves o la muerte.

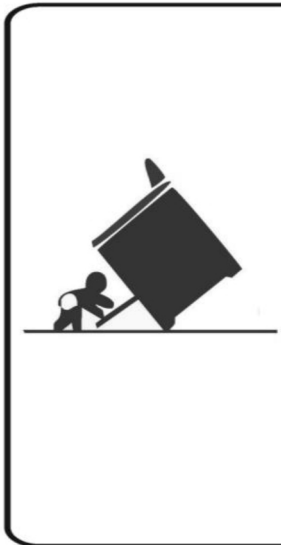
No almacene ni use gasolina u otros vapores y líquidos inflamables cerca de este o cualquier otro electrodoméstico.

¿QUÉ DEBE HACER SI HUELE A GAS?

- No active ningún artefacto.
- No toque ningún interruptor eléctrico.
- No use ningún teléfono en su edificio.
- Llame inmediatamente a su proveedor de gas usando el teléfono de algún vecino externo. Siga las instrucciones del proveedor de gas.
- Si no puede contactar a su proveedor de gas, llame al departamento de bomberos.

La instalación y el servicio deben llevarse a cabo por un instalador, un centro de servicio o proveedor de gas calificado.

Dispositivo Antivuelco



ADVERTENCIA

Riesgo de vuelco

Un niño o un adulto puede inclinar la cocina y esto puede causar lesiones graves o la muerte.

Instale el dispositivo antivuelco en la cocina y / o la estructura de acuerdo con las instrucciones de instalación.

Acople la cocina al dispositivo antivuelco instalado en la estructura.

Si se mueve la cocina, vuelva a reacomodar el dispositivo antivuelco.

Si no se siguen estas precauciones, la muerte o lesiones graves y / o quemaduras pueden ocurrir en niños y adultos.

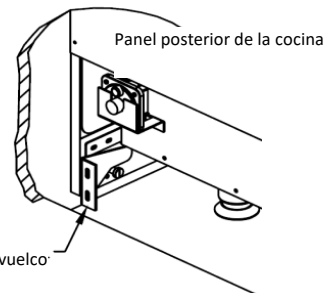
La cocina debe asegurarse con un dispositivo antivuelco correctamente instalado para reducir el riesgo de vuelco. Consulte las instrucciones de instalación que vienen con el documento adjunto para más detalles antes de comenzar la instalación.

Todas las cocinas pueden volcarse y causar lesiones.

Asegúrese de que el soporte antivuelco esté instalado:

Deslice la cocina hacia adelante.

Asegúrese de que el soporte antivuelco esté correctamente sujetado a la pared detrás de la cocina.



ADVERTENCIA

Este producto puede exponerlo a sustancias químicas incluyendo monóxido de carbono, la(s) cual(es) el Estado de California sabe que causa(n) daños en el desarrollo.

Para obtener más información, visite www.P65Warnings.ca.gov

La instalación debe cumplir con los códigos locales o, en ausencia de códigos locales, con el Código Nacional de Gas Combustible, ANSI Z223.1/NFPA 54 o, en Canadá, con el Código de Instalación de Gas Natural y Propano, CSA B149.1

ADVERTENCIA



Nunca deje funcionando y sin supervisión la superficie o placa superior de cocción de este electrodoméstico. El incumplimiento de esta declaración de advertencia puede provocar incendios, explosiones o quemaduras, lo que podría causar daños a la propiedad, lesiones personales o la muerte.

Si se produjera un incendio, manténgase alejado del artefacto y llame de inmediato al departamento de bomberos.


NO INTENTE EXTINGUIR UN FUEGO DE ACEITE/GRASA CON AGUA.

INFORMACIÓN IMPORTANTE DE SEGURIDAD

LEA TODA LA INFORMACIÓN ANTES DE USAR EL DISPOSITIVO

| | |
|--|--|
|  ADVERTENCIA | <p>Lea todas las instrucciones de seguridad antes de usar el producto. No cumplir estas instrucciones puede provocar incendios, descargas eléctricas, lesiones graves o la muerte.</p> |
| INSTRUCCIONES GENERALES DE SEGURIDAD | |
|  ADVERTENCIA | <p>Nunca use esta cocina como un dispositivo calentador para calentar la habitación. Esto podría provocar intoxicación por monóxido de carbono y un sobrecalentamiento del horno.</p> |

1. Utilice esta cocina para los fines indicados y descritos en esta guía del usuario.
2. Un instalador calificado debe instalar su cocina con una conexión a tierra adecuada según las instrucciones de instalación provistas.
3. Cualquier ajuste o mantenimiento puede ser realizado solamente por un instalador o técnico calificado para cocinas a gas. No intente reparar ni reemplazar ninguna parte de su cocina a menos que se recomiende específicamente en esta guía.
4. Su cocina viene de fabricación configurada para uso con gas natural o gas propano (LP). Puede convertirse para su uso con cualquiera de los dos. Estos ajustes debe realizarlos un técnico calificado según las instrucciones de instalación y los códigos locales, de ser necesario. La agencia que realice este trabajo asume la responsabilidad de la conversión.
5. Solicite al instalador que indique dónde se ubica la válvula de cierre de gas de la cocina y cómo cerrarla, de ser necesario.
6. Conecte su cocina a un tomacorriente con conexión a tierra de 120 voltios solamente. No retire la clavija de tierra redonda del enchufe. Si tiene dudas sobre la conexión a tierra del sistema eléctrico de su hogar, es su responsabilidad y obligación quitar un tomacorriente sin conexión a tierra de acuerdo con el Código Nacional de Electricidad. No debe usar un cable de extensión con esta cocina.
7. Antes de realizar cualquier mantenimiento, desconecte la cocina o la fuente de alimentación del panel de distribución en el hogar, retirando el fusible o cortando el disyuntor.
8. Asegúrese de retirar todo el material de embalaje de la cocina antes de usarla para evitar cualquier combustión del material.
9. Evite rayar o golpear los paneles de vidrio ya que esto puede romper el vidrio. No cocine en un artefacto con un vidrio roto. Se pueden producir descargas eléctricas, incendios o cortes.
10. No deje a los niños solos o desatendidos en un área donde se usa esta unidad. Nunca se les debe permitir subir, sentarse o pararse en ninguna parte de la cocina.
11.

| | |
|---|---|
|  PRECAUCIÓN | <p>No almacene nada que pueda interesarle a los niños en los gabinetes ubicados sobre el horno. Los niños pueden subir al horno para alcanzarlos y podrían lesionarse gravemente.</p> |
|---|---|
12. Nunca bloquee las rejillas de ventilación de la cocina. Suministre entradas y salidas de aire necesarias para el buen funcionamiento de la cocina con una combustión adecuada. Las aperturas de ventilación se encuentran en la parte posterior de la cocina, en la parte superior e inferior de la puerta del horno y en la parte inferior de la cocina.
13. Utilice solo agarraderas secas. Las agarraderas mojadas en superficies calientes pueden causar quemaduras de vapor. No permita que las agarraderas toquen los quemadores de superficie, la rejilla del quemador o los calentadores de horno. No use servilletas ni otras telas gruesas en lugar de agarraderas.

14. No toque los elementos calefactores ni las paredes interiores del horno. Incluso si las superficies son de color oscuro, pueden estar lo suficientemente calientes como para causar quemaduras. Durante y después del uso, no toque ni deje que la ropa u otros materiales inflamables entren en contacto con el interior del horno. Deje suficiente tiempo para que se enfríe. Otras superficies de la cocina pueden calentarse excesivamente y causar quemaduras. Las superficies potencialmente calientes incluyen los quemadores, las parrillas, la abertura de ventilación del horno, las superficies cercanas a la abertura, las hendiduras alrededor de la puerta del horno, los elementos decorativos metálicos sobre la puerta, cualquier rejilla posterior o la superficie del estante superior.
15. No caliente recipientes de comida cerrados. La presión podría aumentar y el recipiente podría explotar y provocar lesiones.



ADVERTENCIA

Extremadamente pesado.

Se necesita un equipo y mano de obra adecuados para movilizar la cocina a fin de evitar lesiones corporales o daños a la unidad o al piso.

Ignorar estos consejos puede provocar daños o lesiones.



ADVERTENCIA

¡NO transporte ni levante la cocina por la manija de la puerta del horno o el panel de control!



Correcto



Incorrecto



**ADVERTENCIA****INSTRUCCIONES GENERALES DE SEGURIDAD (continuación)**

Cocine bien los alimentos para protegerse de las enfermedades que puedan transmitirse en ellos.

Las recomendaciones mínimas de temperatura de cocción de alimentos seguros están disponibles en www.IsItDoneYet.gov y www.fsis.usda.gov. Use un termómetro para alimentos para medir la temperatura de los alimentos en varios lugares.

No permita que nadie se suba, se pare o se cuelgue de la puerta, el cajón o la cocina del horno. Esto podría dañar la cocina, podría volcarse y causar lesiones graves o la muerte. Mantenga la campana del ventilador y el filtro de grasa limpios para mantener una buena ventilación y evitar incendios ocasionados por la grasa. **APAGUE** el ventilador en caso de incendio o uso intencional de alcohol u otra gasolina para el flambeado de alimentos. Si el ventilador está encendido, podría propagar las llamas.

**ADVERTENCIA****MANTENGA LOS MATERIALES INFLAMABLES LEJOS DE LA COCINA****De lo contrario, puede provocar un incendio o lesiones.**

No almacene ni use materiales inflamables en el horno o cerca de la placa de cocción. Estos incluyen papel, plástico, agarraderas, telas, revestimientos de paredes, manteles, cortinas y combustible u otros líquidos y vapores inflamables.

Al usar este artefacto, nunca use ropa suelta o colgante. Si estas prendas entran en contacto con superficies calientes, pueden encenderse y causar quemaduras graves.

No permita la acumulación de aceite de cocina u otras sustancias inflamables dentro o cerca de la cocina.

La grasa en el horno o en la placa de cocción puede encenderse.

**ADVERTENCIA****EN CASO DE INCENDIO, TOMA LAS SIGUIENTES MEDIDAS PARA EVITAR LESIONES Y LA PROPAGACIÓN DEL FUEGO.**

No utilice agua en incendios ocasionados por la grasa. Nunca agarre una cacerola en llamas. Detenga el funcionamiento de la cocina. Apague una cacerola u olla ardiente sobre un elemento de la superficie cubriéndola completamente con una tapa, bandeja para hornear o bandeja plana que se ajuste bien. Use un extintor multipropósito con polvo químico o espuma.

En caso de incendio en el horno durante la cocción, apague el fuego cerrando la puerta del horno y apagándolo o utilizando un extintor de incendios de espuma o químico multipropósito. Si ocurre un incendio en el horno durante la autolimpieza, apague el horno y espere a que el fuego se disipe.

No fuerce la apertura de la puerta. El introducir aire fresco a temperaturas de autolimpieza puede provocar una explosión de llama en el horno. Ignorar estas instrucciones puede causar quemaduras graves.

**ADVERTENCIA****INSTRUCCIONES DE SEGURIDAD PARA LA PLACA DE COCCIÓN**

Nunca deje los quemadores desatendidos a un nivel de calor medio o alto. Los alimentos, especialmente los alimentos grasos, pueden encenderse y provocar un incendio que podría extenderse a los gabinetes cercanos.

Nunca deje el aceite desatendido mientras fríe. Si se calienta por encima de su punto normal, el aceite puede encenderse y provocar un incendio que puede extenderse a los gabinetes cercanos. Use un termómetro para freír, siempre que sea posible, para controlar la temperatura del aceite.

Para evitar derrames de aceite o incendios, use un mínimo de aceite al freír en una cacerola poco profunda y evite cocinar alimentos congelados que contengan cantidades excesivas de hielo.

Use una cacerola del tamaño adecuado y evite cacerolas inestables o fácilmente inclinables. Seleccione un utensilio de cocina que coincida con el tamaño del quemador. Las llamas de los quemadores deben ajustarse para que no excedan el fondo de la cacerola. Las llamas excesivas pueden ser peligrosas.

Cuando use utensilios de cocina de vidrio/cerámica, asegúrese de que sean adecuados para la cocina; algunos pueden romperse debido a un cambio repentino de temperatura.

Para minimizar el riesgo de quemaduras, combustión de materiales inflamables y derrames, las manijas de las cacerolas deben girarse hacia el centro de la cocina sin extenderse sobre los quemadores adyacentes.

No use un wok con un soporte de metal redondo. El anillo puede atrapar el calor y bloquear el aire en el quemador. Esto representa un riesgo de monóxido de carbono.

No intente levantar la placa de cocción. Puede dañar las tuberías de gas de los quemadores de la superficie, lo que provocaría fugas de gas y un peligro de incendio.

No use papel de aluminio para cubrir las rejillas ni cubrir una parte de la cocina. Esto podría provocar intoxicación por monóxido de carbono, sobrecalentamiento de las superficies de la cocina o peligro de incendio.

**ADVERTENCIA****INSTRUCCIONES DE SEGURIDAD DEL HORNO**

NUNCA cubra las ranuras, agujeros o pasajes en el fondo del horno ni cubra una parrilla completa con materiales como papel de aluminio o revestimientos para hornos. Esto bloquea el flujo de aire hacia el horno y puede causar una intoxicación por monóxido de carbono. Nunca coloque papel de aluminio o revestimiento en el fondo del horno. Pueden atrapar el calor y provocar un riesgo de humo o fuego.

Manténgase alejado de la cocina cuando abra la puerta del horno. Las fugas de aire caliente o vapor pueden causar quemaduras en las manos, la cara y/o los ojos.

Nunca coloque utensilios de cocina, pizzas o piedras para hornear, ni ningún tipo de papel de aluminio o rejillas en el piso del horno. Estos elementos pueden atrapar el calor o derretirse, lo que puede dañar el producto y provocar una descarga, humo o fuego.

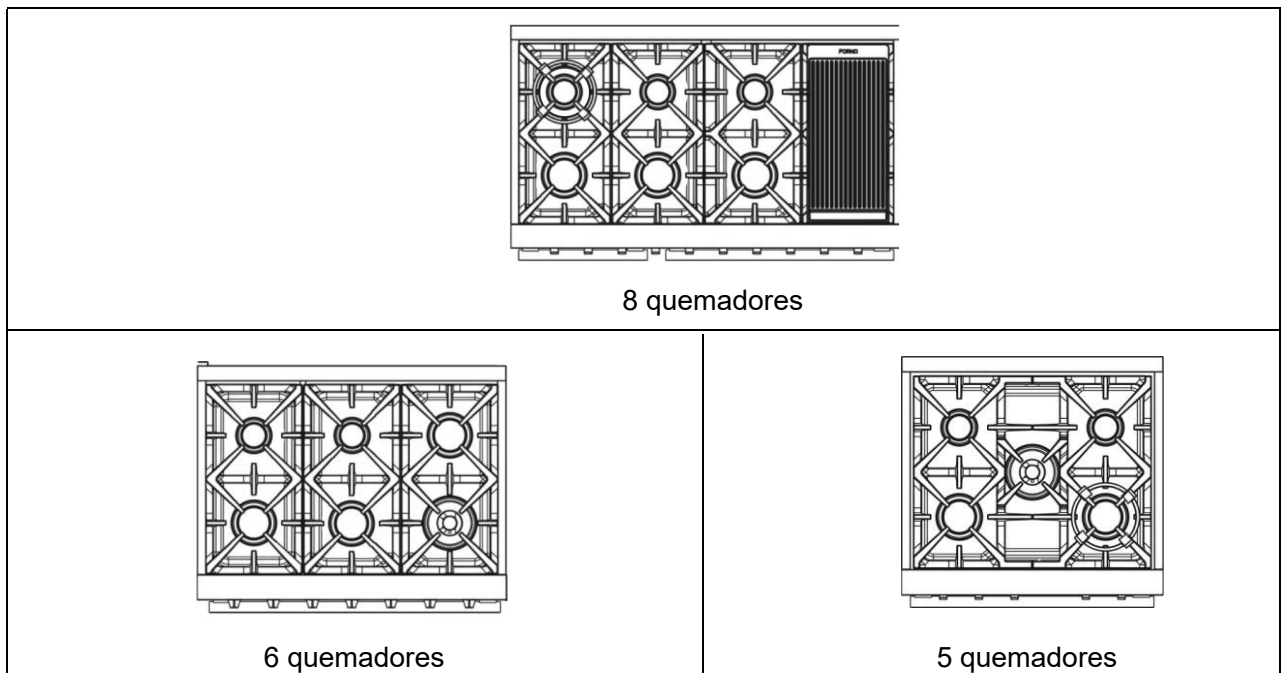
Coloque las parrillas del horno en el lugar deseado mientras el horno esté frío. Si debe mover la parrilla mientras el horno está caliente, tenga cuidado de no tocar las superficies calientes.

No deje objetos como papel, utensilios de cocina o alimentos en el horno cuando no esté en uso. Los artículos almacenados en un horno pueden encenderse.

No deje objetos en la cocina cerca de la ventilación del horno. Los artículos pueden sobrecalentarse y provocar un riesgo de incendio o quemaduras.

Nunca use la función de asado con la puerta del horno abierta. No se recomienda asar con la puerta abierta debido al sobrecalentamiento de las perillas de control.

Características de su cocina




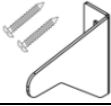



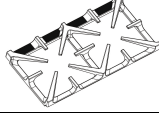

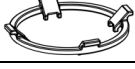
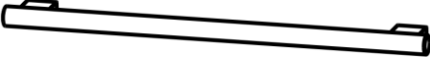
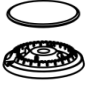
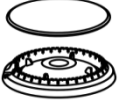
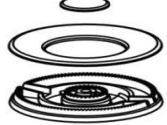
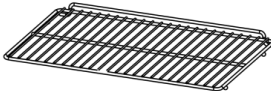


| Índice de características | |
|---------------------------|---|
| 1 | Ventilaciones del horno |
| 2 | Rejillas de quemador de la placa de cocción |
| 3 | Parrilla de cocina (en algunos modelos) |
| 4 | Interruptor de luz LED |
| 5 | Panel de control |
| 6 | Luces del horno |
| 7 | Ventilador de convección |
| 8 | Horno/Asador |
| 9 | Panel inferior |
| 10 | Sistema de nivelación |
| 11 | Soporte de wok |

No todos los modelos tienen todas las características. La apariencia puede variar


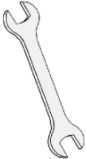
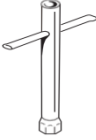







Instrucciones de instalación

Antes de utilizar su cocina

1. Retire todo el material de embalaje.
2. Verifique que tiene todo lo que se enumera a continuación:

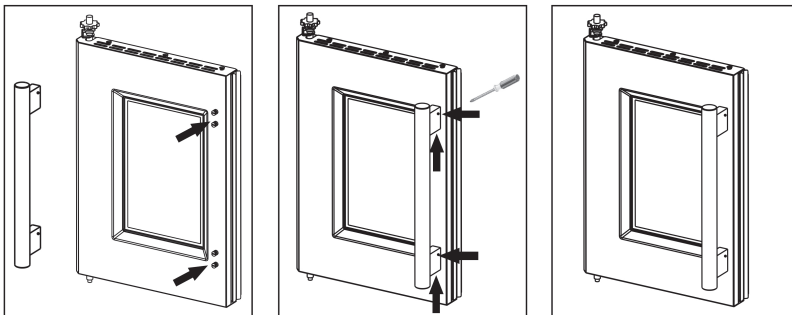
| | | | |
|--|--|--------------|-----------|
|  0.46, 0.9, 0.93, 0.94, 1.18, 1.39, (*1.12 piezas para 48") | Inyector de GLP | FFSGS6439-30 | 9 juegos |
| | | FFSGS6439-36 | 10 juegos |
| | | FFSGS6439-48 | 13 juegos |
|  | Soporte antivuelco y tornillos | | 1 juego |
|  | Almohadilla de goma contra la pared | | 2 piezas |
|  | Rejillas de quemador | FFSGS6439-30 | 2 piezas |
|  | Burner Grills | FFSGS6439-36 | 3 piezas |
| | | FFSGS6439-48 | 3 piezas |
|  | Rejillas de quemador | FFSGS6439-48 | 1 pieza |
|  | Placa de cocción (Plancha) | FFSGS6439-48 | 1 pieza |
|  | Soporte de Wok | | 1 pieza |
|  | Manija de la puerta del horno | | 2 piezas |
|  | Quemador & tapa (9000BTU) | FFSGS6439-30 | 2 juegos |
| | | FFSGS6439-36 | 2 juegos |
| | | FFSGS6439-48 | 3 juegos |
|  | Quemador & tapa (15000BTU) | FFSGS6439-30 | 2 juegos |
| | | FFSGS6439-36 | 3 juegos |
| | | FFSGS6439-48 | 4 juegos |
|  | Quemador & tapa (20000BTU) | FFSGS6439-30 | 1 juego |
| | | FFSGS6439-36 | 1 juego |
| | | FFSGS6439-48 | 1 juego |
|  | Rejilla para hornear (*4 piezas para FFSGS6439-48) | | 2 piezas |
|  | Regulador (preinstalado) | | 1 pieza |
|  | Etiqueta con el número de serie & Manual de Instrucciones | | 1 juego |

NECESITA HERRAMIENTAS PARA LA INSTALACIÓN. (no incluidas con la cocina)

| | | | | |
|--|---|--|---|--|
|  Destornillador |  Llave |  Llave de tubo |  Llave Allen |  Cinta métrica y lápiz |
|  Guantes de protección |  Martillo |  Llave inglesa |  Pinza ajustable |  Taladro |

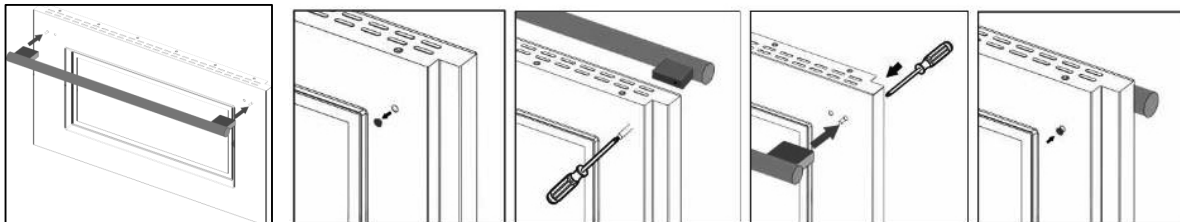
Instalación de la manija de la puerta

La manija de la puerta no está preinstalada. Se encuentra en la parte de adelante del paquete. Siga la imagen a continuación para instalar rápida y fácilmente la manija de la puerta.



1. Alinear el mango con los tornillos de la puerta.
2. A continuación, apriete el tornillo de la manga hexagonal en el mango con un destornillador de la manga hexagonal.

Puerta del cocinero (horno de 30" para FFSGS6439-48)

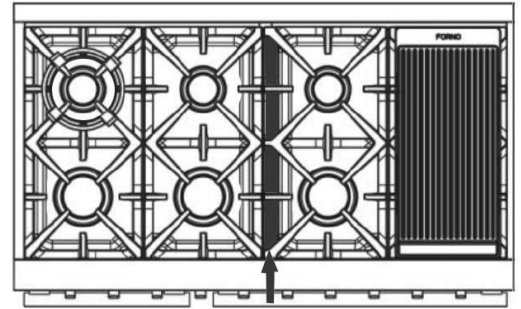


1. Retire la tapa de goma negra que está en el interior de la puerta del horno. (No la tire).
2. Inserte el destornillador en el orificio para alcanzar el tornillo que está incrustado.
3. Coloque el soporte de la manija correctamente en el perno que se encuentra en el exterior de la puerta, apriete el tornillo.
4. Para el otro lado, repita los pasos de 1 a 3.
5. Vuelva a colocar las tapas de goma negras en los dos agujeros que están en el interior de la puerta.

Instalación de las rejillas de los quemadores de la placa de cocción

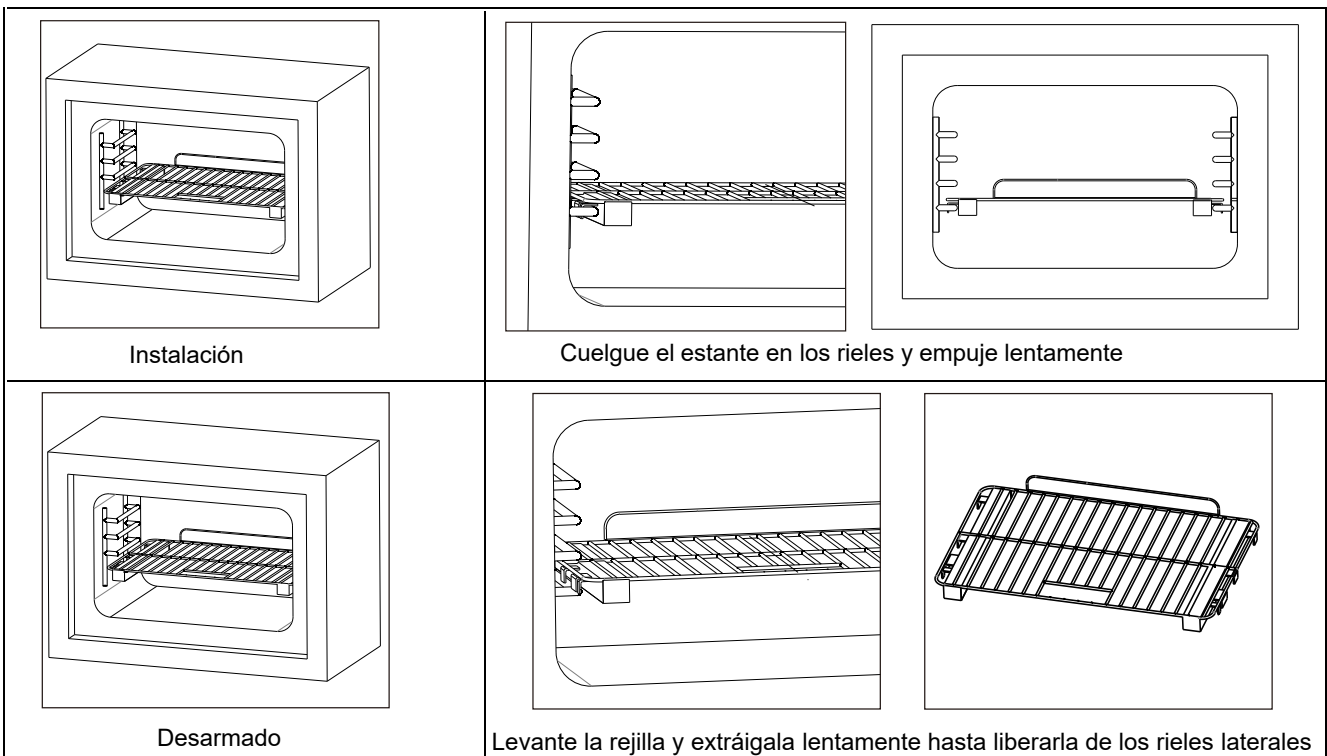
Retire los materiales de embalaje de las rejillas de los quemadores de la placa de cocción. Coloque las rejillas del quemador en su posición correcta. Preste atención a las rejillas centrales de la derecha, como muestra la imagen, ya que el lado más grueso debe estar a la izquierda.

Coloque la rejilla (para FFSGS6439-48) y el soporte de wok sobre los quemadores que desee utilizar para cocinar.



48"

Instalación del estante rejilla del horno



Electricidad

Su cocina debe estar conectada a tierra de acuerdo con los códigos locales o, a falta de códigos locales, de acuerdo con el Código Eléctrico Nacional (ANSI/NFPA 70, última edición). En Canadá, la conexión a tierra debe cumplir con el Código Ambiental Canadiense CSA C22.1, Sección 1 y/o códigos locales.

La fuente de alimentación debe tener la polaridad correcta. La polaridad inversa dará como resultado chispas continuas de los electrodos, incluso después de la llama de encendido.

Si hay alguna duda sobre si la fuente de alimentación tiene la polaridad correcta o está conectada a tierra, haga que un electricista calificado lo verifique.

REQUERIMIENTOS ELECTRICOS

Alimentación eléctrica Puesta a tierra, 110/120 V CA, 60 Hz

Servicio 15 A o circuito dedicado de 20 A

Toma Tipos de conexión a tierra de 3 puntas

Cable de alimentación 1,3 m (5 pi)



ADVERTENCIA Instrucciones de conexión a tierra eléctrica: esta cocina está equipada con un enchufe de tres clavijas (con conexión a tierra) para protegerlo contra el riesgo de descarga eléctrica y debe conectarse directamente a un receptáculo de tres clavijas con conexión a tierra.



PRECAUCIÓN La clavija de conexión a tierra del enchufe no se debe cortar ni quitar. Etiquete todos los cables antes de desconectarlos cuando realice el mantenimiento de los controles. Los errores de cableado pueden causar una operación incorrecta y peligrosa. Verifique la operación después del mantenimiento.

Puesta a tierra

El cable de alimentación cuenta con un enchufe de tres clavijas (con conexión a tierra) que se conecta a un tomacorriente estándar con conexión a tierra de tres clavijas para minimizar el riesgo de descarga eléctrica de la cocina.

Todos los dispositivos conectados al cable de alimentación deben tener instrucciones relativas a la ubicación del tomacorriente de pared y advertir al usuario que desconecte la fuente de alimentación antes de reparar la unidad.

Cuando hay un enchufe de pared estándar de dos clavijas, el cliente debe reemplazarlo con un enchufe de pared de tres clavijas con conexión a tierra. No corte ni retire el cable de tierra del cable de alimentación.

Suministro de gas

La instalación debe cumplir con los códigos locales o, en ausencia de códigos locales, con el Código Nacional de Gas Combustible, norma ANSI Z223.1/NFPA 54. En Canadá, la instalación debe cumplir con el estándar actual de código de instalación/gas natural, CAN 1-1.1-M81 y códigos locales cuando corresponda.

Esta cocina ha sido certificada y cumple con la última edición de ANSI Z21.1b-2012.

REQUERIMIENTOS DE GAS

GAS NATURAL

Presión del regulador

COLUMNA DE AGUA

5" (12.5 mb)

Presión de suministro mínima

6"

Presión máxima de suministro

14" (34.9 mb), 0.5 psi (3.5 kPa)

GAS LP

COLUMNA DE AGUA

Presión del regulador

10" (25 mb)

Presión de suministro

11"

mínima

Presión máxima de

14" (34.9 mb), 0.5 psi (3.5 kPa)

suministro

La presión de suministro de gas mínima y máxima corresponde a la presión en la válvula de cierre de gas

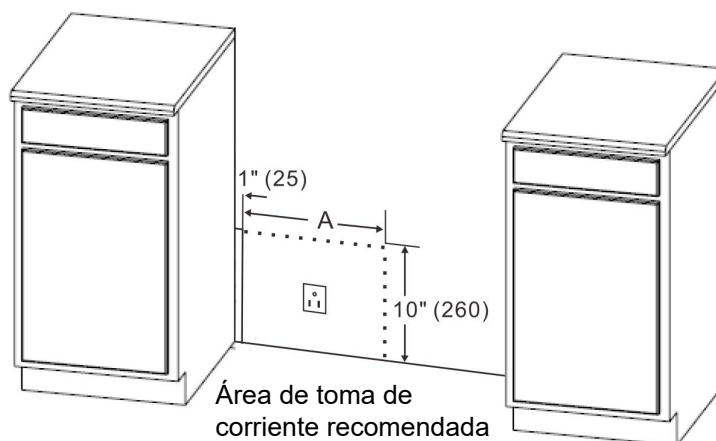


ADVERTENCIA

No obstruya el flujo de aire de combustión dentro de la cocina y el aire de ventilación fuera de la cocina.

Ventilación: Se recomienda utilizar el artefacto con una campana de extracción y de ventilación del cabezal del horno de tamaño y capacidad suficientes.

Requisitos de la fuente de alimentación eléctrica.



| | 30 Pulgada | 36 Pulgada | 48 Pulgada |
|---|--------------|---------------|------------|
| A | 9" 2/5 (240) | 11" 4/5 (300) | 27" (690) |

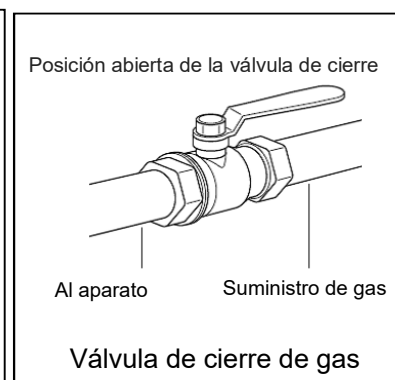
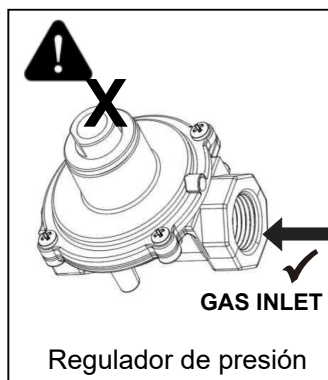
⚠ ADVERTENCIA Sólo para referencia, por favor consulte el objeto.

Regulador de presión

Como la presión de operación puede variar según la demanda local, cada cocina de gas debe contar con un regulador de presión en la línea de suministro entrante para un funcionamiento seguro y eficiente.

El regulador de presión preinstalado en el rango tiene entradas de aire de 1 / 2 "npt (para 30", 36 "y 3 / 4" NPT (para 48 ").

El regulador puede soportar una presión máxima de entrada de 0.5 psi (3.5 kPa), y se ajusta a una presión de salida de 5 pulgadas COLUMNA DE AGUA cuando se usa en GAS NATURAL y se ajusta a una presión de salida de 10 " COLUMNA DE AGUA cuando se usa en PROPANO LÍQUIDO



Válvula de cierre de gas (no incluida)

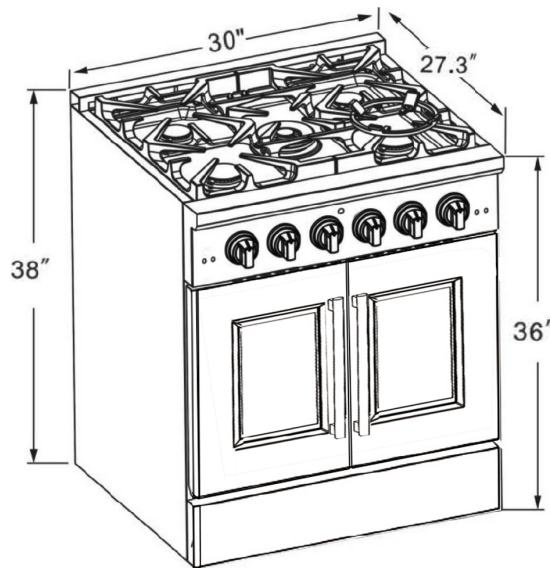
La línea de suministro debe contar con una válvula de cierre de gas externa aprobada que se ubique cerca de la cocina en un lugar accesible. No bloquee el acceso a la válvula de cierre. Puede consultar la imagen.

Toda cocina debe contar con una línea de suministro de gas de diámetro interno de 3/4". (19 mm). Si los códigos locales lo permiten, se recomienda utilizar un conector de metal flexible certificado de 3 pies (0,9 m) de largo, 1/2". (13 mm) o 3/4". (19 mm) para conectar la entrada hembra NPT de 1/2" (30" 36") o 3/4" NPT (48"). desde la unidad a la línea de suministro de gas. Se deben utilizar compuestos para juntas de tuberías adecuados para su uso con gas natural o gas LP.

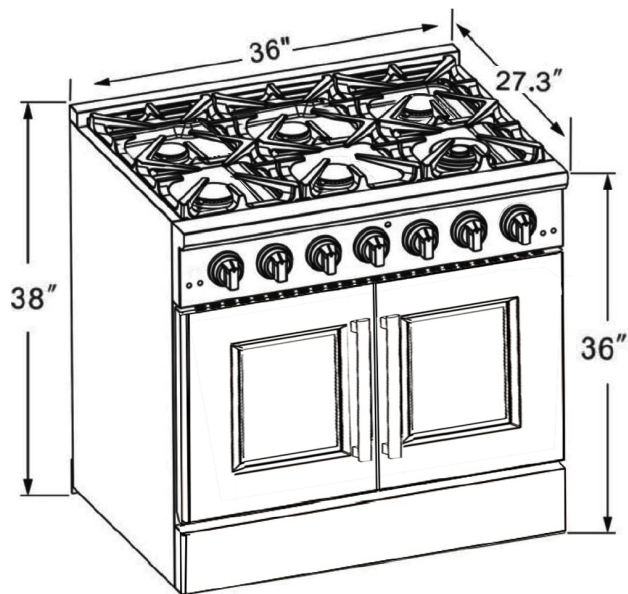
Cuando la presión de prueba sea igual o inferior a 0,5 (3,5 kpa), el equipo y sus válvulas de Corte deben desconectarse del sistema de tuberías de suministro. al realizar cualquier prueba de presión sobre el sistema, debe aislarse de la tubería de suministro cerrando su válvula de corte manual separada.

Dimensiones del producto y gabinetes

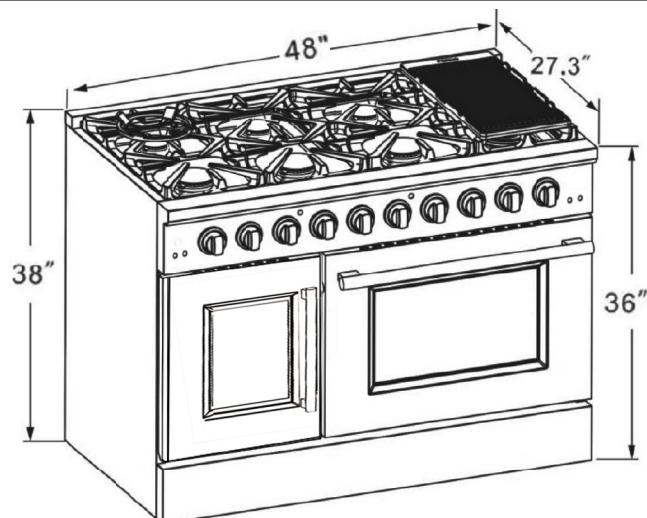
Modelo: FFSGS6439-30



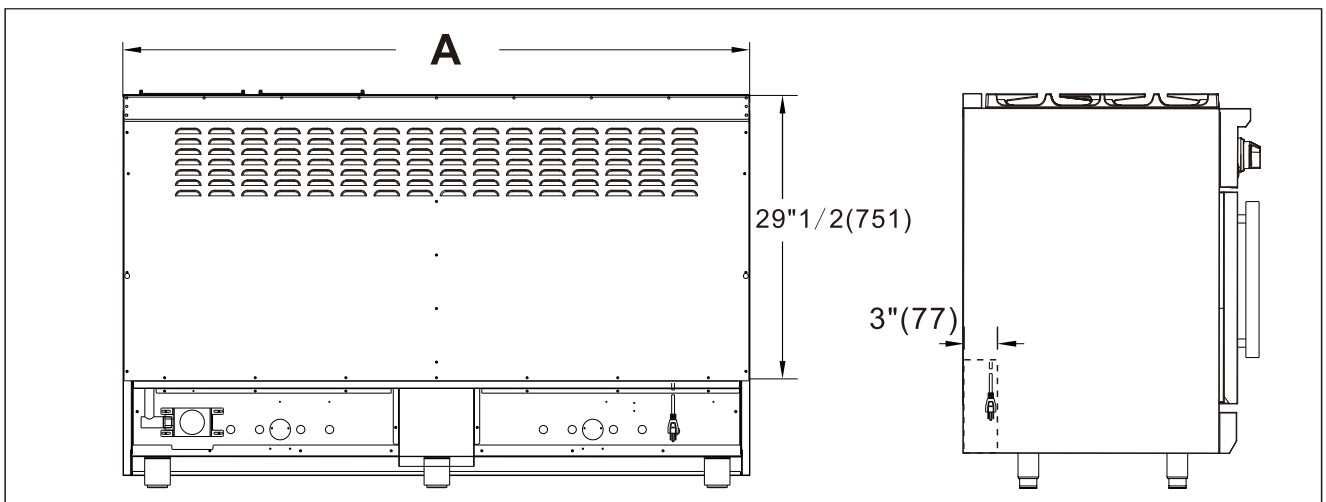
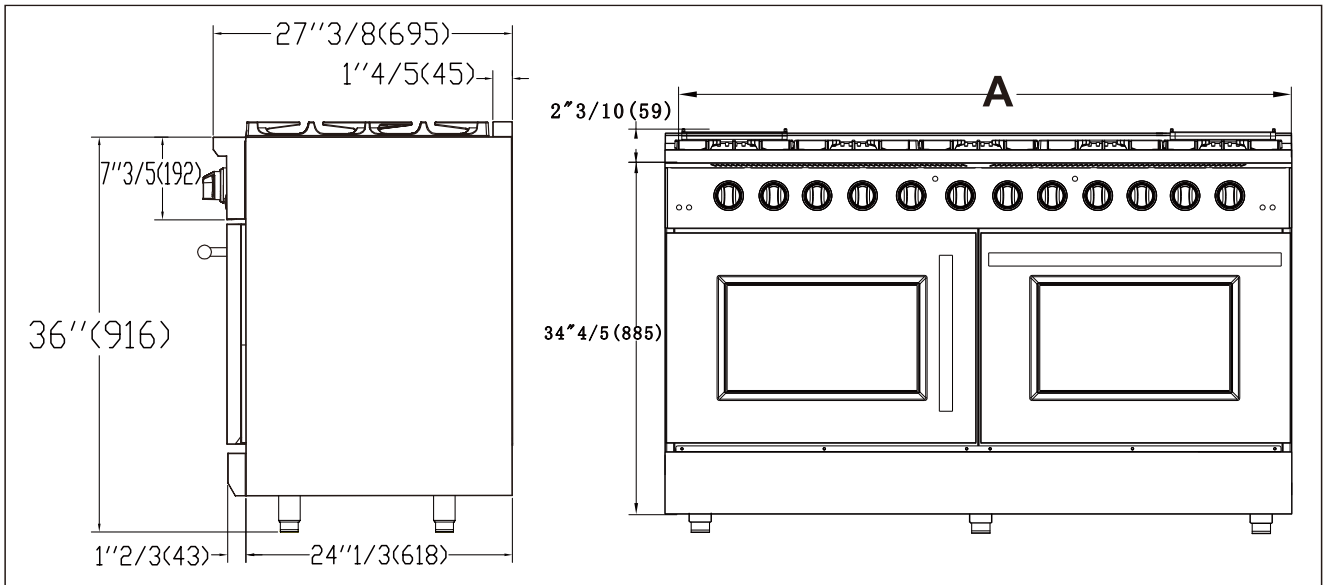
Modelo: FFSGS6439-36



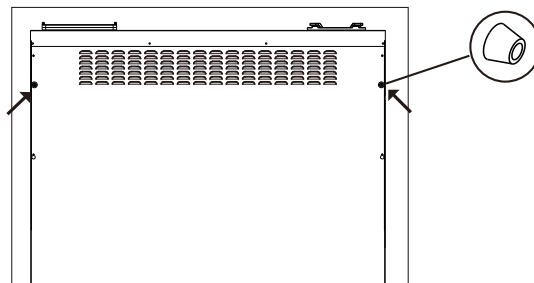
Modelo: FFSGS6439-48



Esta cocina puede instalarse directamente al lado de los gabinetes existentes a una altura de mostrador (36 po o 91.5 cm del piso). Para lograr la mejor apariencia posible, la cocina debe estar al ras de la mesada del gabinete. Esto puede lograrse levantando la unidad usando las barras de ajuste sobre los pies.



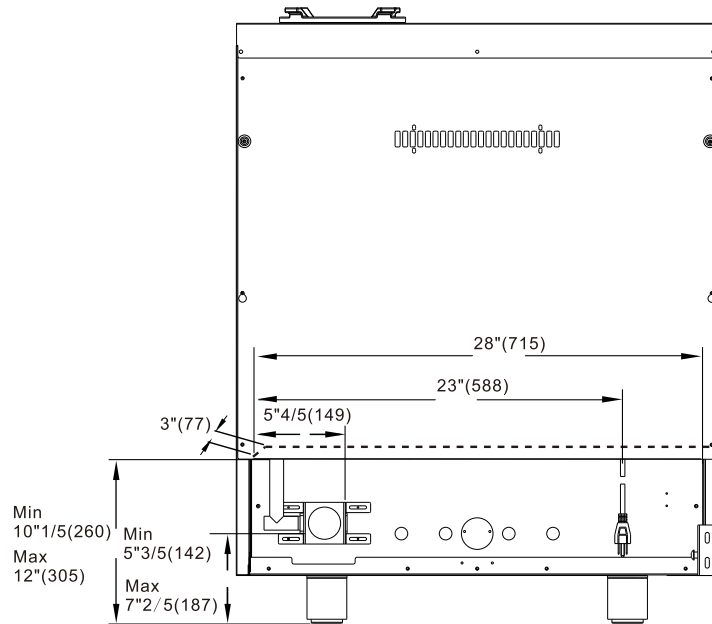
Almohadilla de goma contra la pared



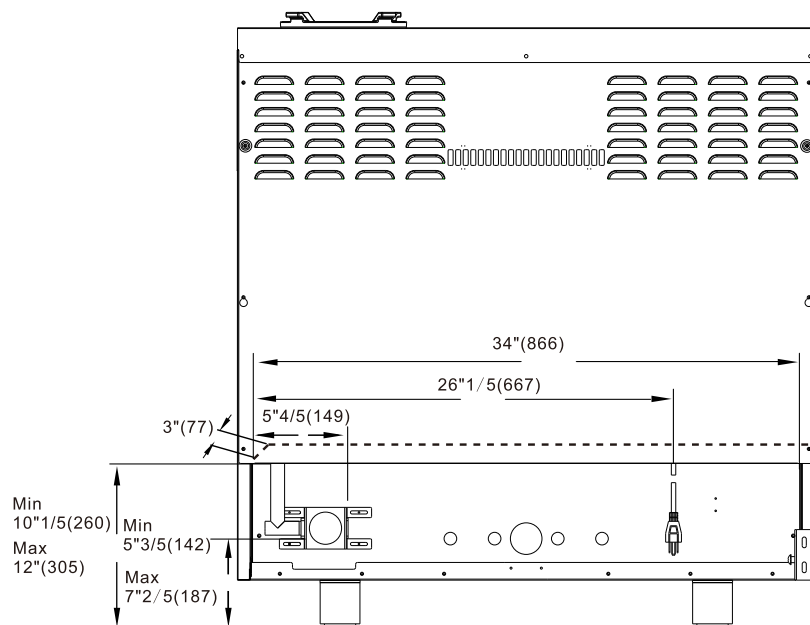
- 1/ Desenroscar dos tornillos en la parte posterior de la máquina.
- 2/ Instalación de almohadillas de Goma para tabiques.

| | 30 Pulgada | 36 Pulgada | 48 Pulgada |
|---|------------|------------|---------------|
| A | 30"(763) | 36"(915) | 47"9/10(1218) |

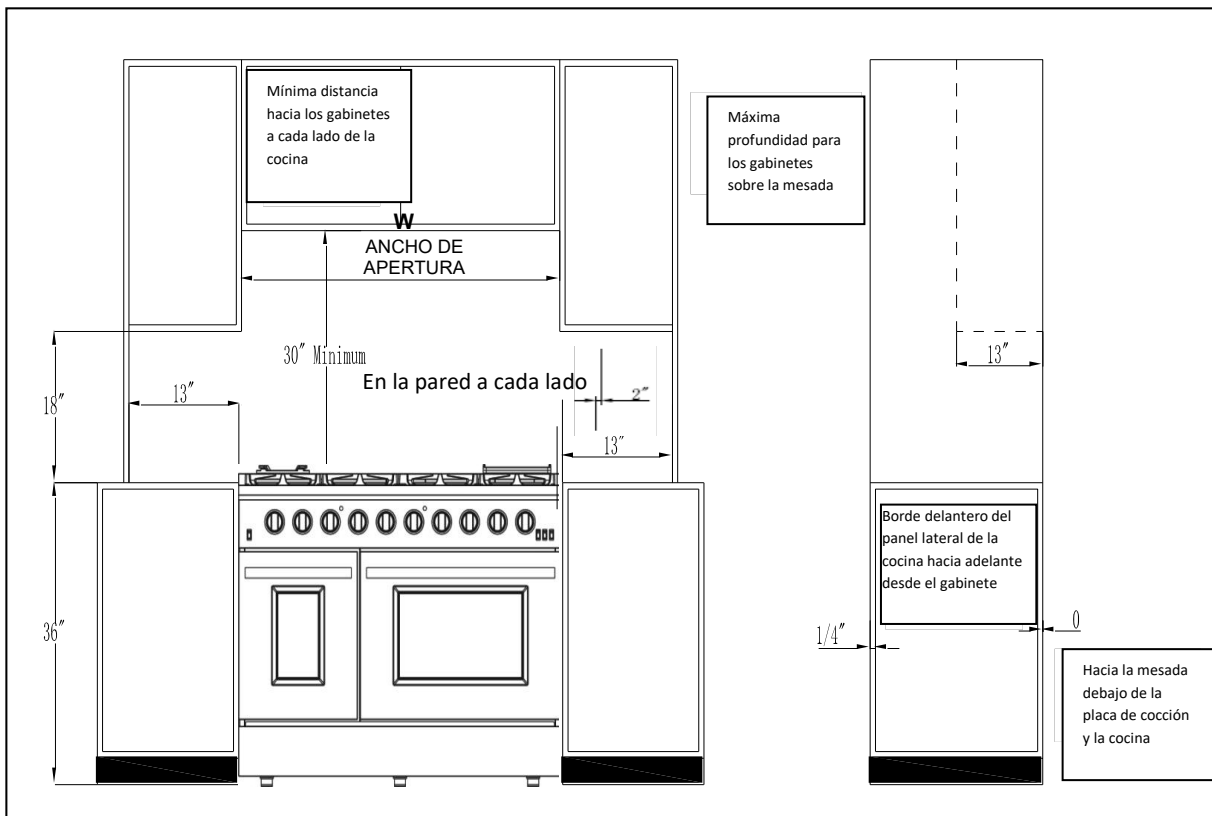
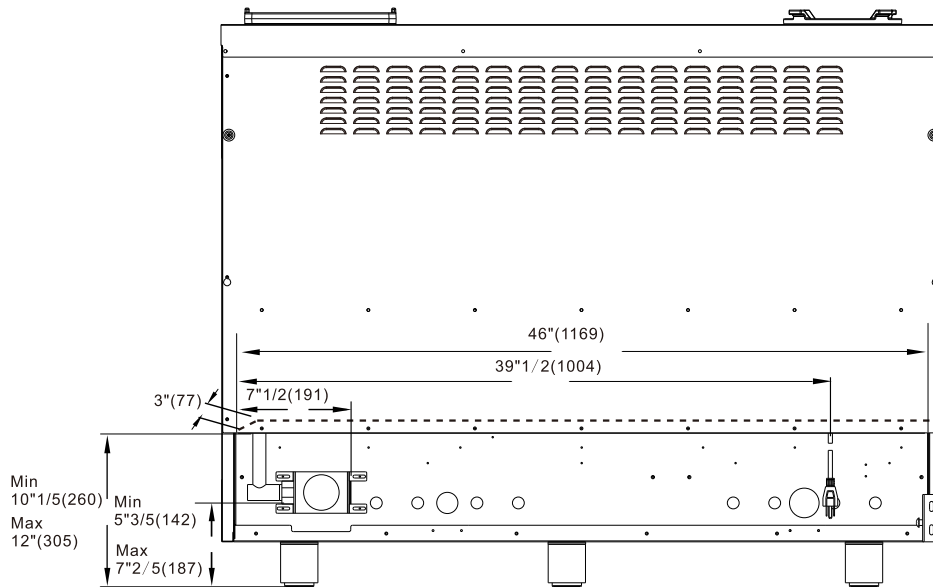
Modelo FFSGS6439-30



Modelo FFSGS6439-36



Modelo FFSGS6439-48



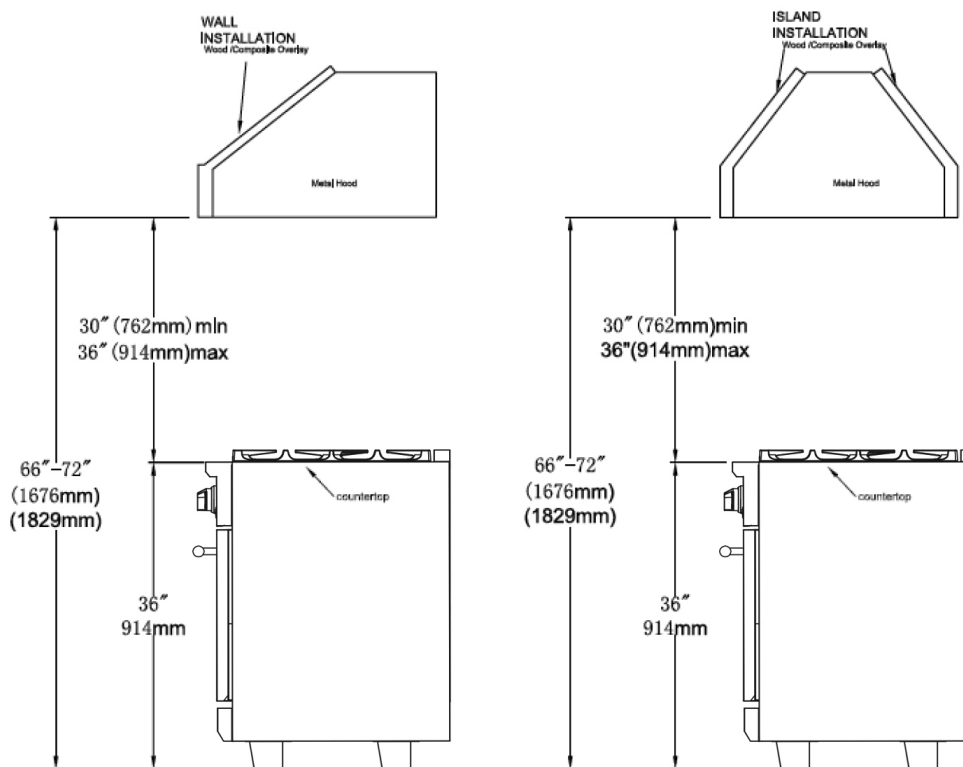
| ANCHO DE APERTURA | Ancho |
|-------------------|------------|
| Modelo de 30". | 30".(762) |
| Modelo de 36". | 36" (914) |
| Modelo de 48". | 48".(1219) |

Instalación de la campana extractora

La parte inferior de la campana debe estar entre 30" y 36" por encima de la placa de cocción. Esto generalmente significa que la parte inferior de la campana está entre 66" y 72" sobre el piso. Estas dimensiones permiten el funcionamiento seguro y eficiente de la campana.

Después de la instalación:

1. Verifique el encendido de los quemadores en la cocina.
2. Compruebe la configuración del obturador de aire: llama azul brillante, sin parpadeo amarillo ni llama danzante.
3. Compruebe el encendido del quemador del horno.
4. Verifique visualmente el reencendido del quemador tubular (quemador del horno) para asegurarse de que ambas filas de puertos del quemador se vuelvan a encender cada vez.
5. Compruebe si hay fugas de gas en todas las conexiones de gas (utilizando un detector de gas, nunca con una llama).
6. Verifique el horneado y la cocción por convección.



Operación de conversión de gas

Esta cocina se puede usar con gas propano líquido y gas natural. De fabricación, está configurada para su uso con gas natural (GN). Se incluyen boquillas de conversión. Para la conversión de gas, siga las siguientes instrucciones:



ADVERTENCIA

La conversión de gas debe ser realizada por un profesional capacitado en fábrica. Llame al servicio al cliente cercano para identificar a uno de los profesionales capacitados.



ADVERTENCIA

Antes de realizar esta operación, desconecte la cocina de gas y la electricidad.

El procedimiento de conversión a gas para esta cocina incluye 8 pasos

1. Regulador de presión
2. Quemadores de la cocina
3. Quemador del horno
4. Quemador de parrilla
5. Válvulas de gas
6. Reconexión del suministro de gas y electricidad
7. Quemador del horno con obturador de aire
8. Instalación de una nueva etiqueta de evaluación

La conversión se completa solamente siguiendo los 8 pasos correctamente.

Antes de realizar la conversión de gas, identifique el embalaje que contiene las boquillas de repuesto suministradas con cada cocina.

ETAPA 1: Regulador de presión

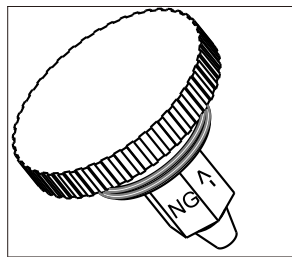
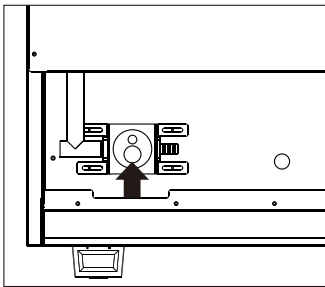
Para acceder al regulador de gas, aleje la estufa de la pared del gabinete. El regulador de gas está ubicado en la esquina inferior izquierda trasera de la estufa.



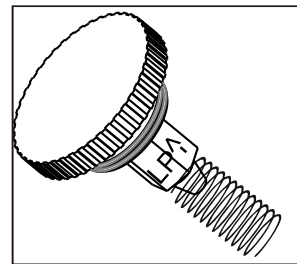
ADVERTENCIA

Puede producirse un riesgo de descarga eléctrica y provocar lesiones o la muerte. Desconecte la alimentación de la cocina antes de iniciar el mantenimiento. No retire el regulador ni lo deje funcionar durante el mantenimiento.

- Desenrosque la tapa del regulador.
- Desenrosque el plug - in de latón de la tapa. No retire el resorte del plug - in de latón. Enrolle el inserto de latón en la tapa de vuelta con un tornillo de resorte completamente extendido. Primero inserte la tapa con resorte en el regulador. Asegúrese de que la tapa del regulador esté completamente apretada y que, si no se opera adecuadamente, pueda producirse una fuga de gas.



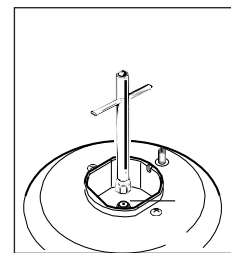
Posición para GN



Posición para PL

ETAPA 2: Quemadores en la placa de cocción

- Retire las parrillas de cocción, las tapas de los quemadores y los anillos internos del quemador.
- Levante las cabezas externas del quemador y las bases del quemador.



Llave de tubo

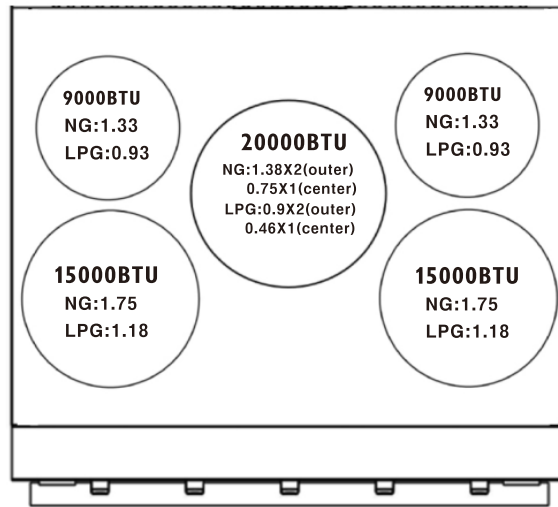
- Retire las boquillas de gas natural instaladas de fábrica del centro de los porta boquillas con una llave de tubo de 7 mm. Vuelva a colocar la boquilla PL en cada soporte de boquilla. Apriete cada boquilla hasta que quede ajustada, pero no apriete demasiado.



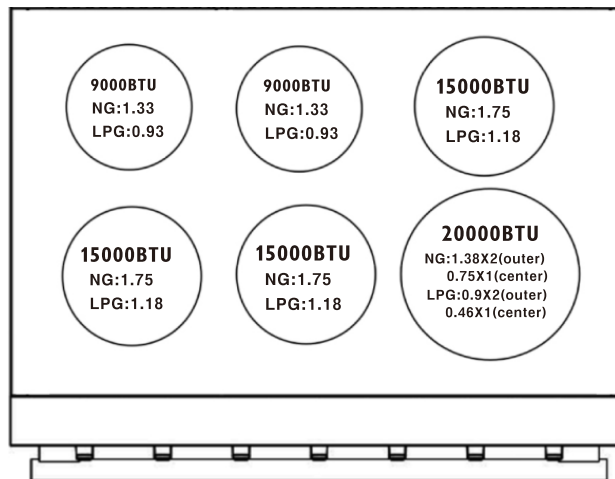
PRECAUCIÓN

Tenga cuidado al retirar y reemplazar los componentes de gas.
Tome las medidas adecuadas para evitar daños a los componentes.

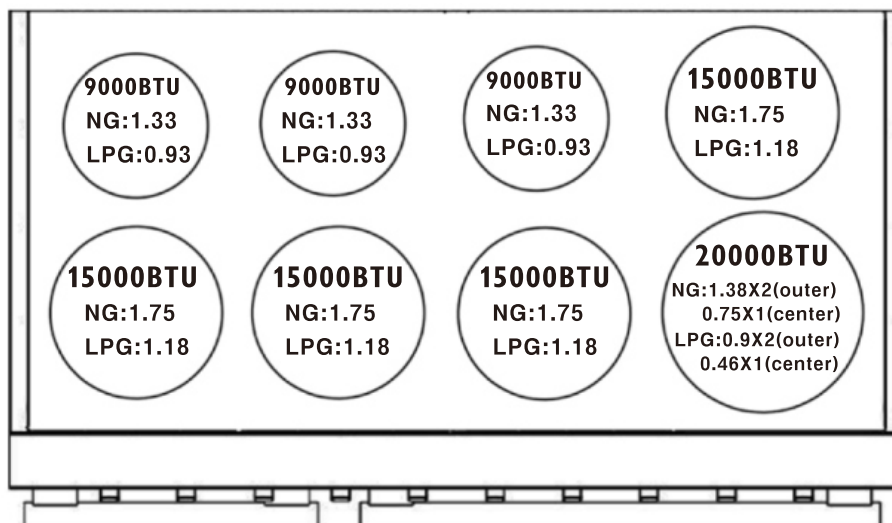
IMPORTANTE: Cada boquilla tiene un número impreso en el cuerpo que indica su diámetro de flujo. Consulte la tabla a continuación para ver las boquillas y quemadores correspondientes.



Modelo:FFSGS6439-30



Modelo:FFSGS6439-36



Modelo:FFSGS6439-48

IMPORTANTE: Conserve las boquillas que ha retirado de la cocina para un uso posterior.

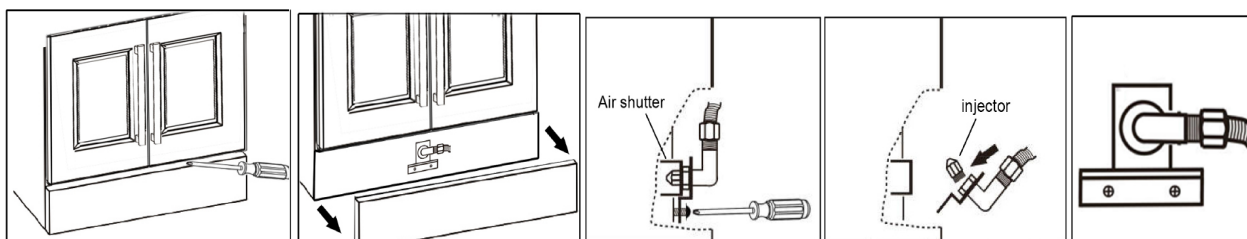
ETAPA 3: Quemador de horno

a. Retire los 3 tornillos entre el panel de protección y la puerta del horno. Sostenga el panel inferior en ambos extremos y lentamente tire de él hacia adelante.

b. Retire los 2 tornillos que sujetan el soporte de la boquilla e identifique la boquilla.

Reemplace con una boquilla de quemador de horno de 1.32 mm y apriete. Vuelva a colocar el soporte de la boquilla alineando la nueva boquilla con el obturador de aire del quemador del horno.

Repita estos pasos para un horno de 18" (rango de 48" solamente).

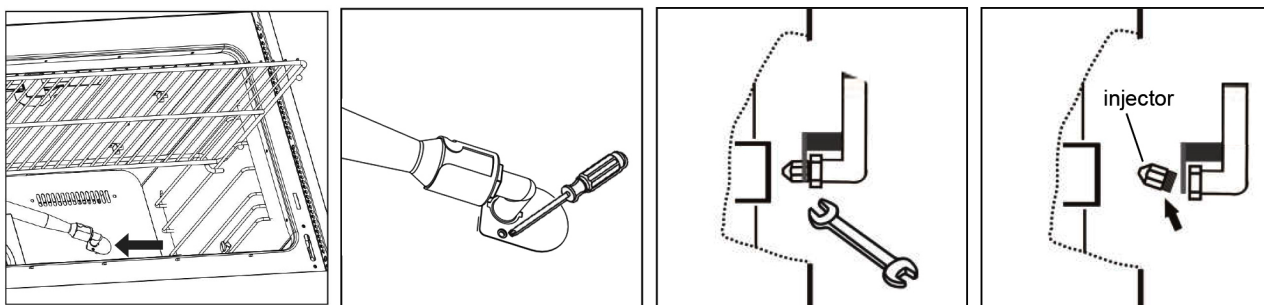


| | | Modelo:FFSGS6439-30 | Modelo:FFSGS6439-36 | Modelo:FFSGS6439-48 |
|------------------|-----|---------------------|---------------------|---------------------|
| Horno | GN | 2.2 | 2.2 | 2.2 |
| | GPL | 1.39 | 1.39 | 1.39 |
| Horno 18" | GN | | | 1.7 |
| | GPL | | | 1.12 |

ETAPA 4: Quemador de asador

a. Retire los 2 tornillos que sujetan el soporte de la boquilla e identifique la boquilla.

b. Con una llave abierta de 5/8" o 19 mm, retire el conducto de gas del soporte de la boquilla. Retire la boquilla del soporte del orificio con una llave abierta de 1/2". Reemplace con una boquilla para hornos de 0.94 mm.



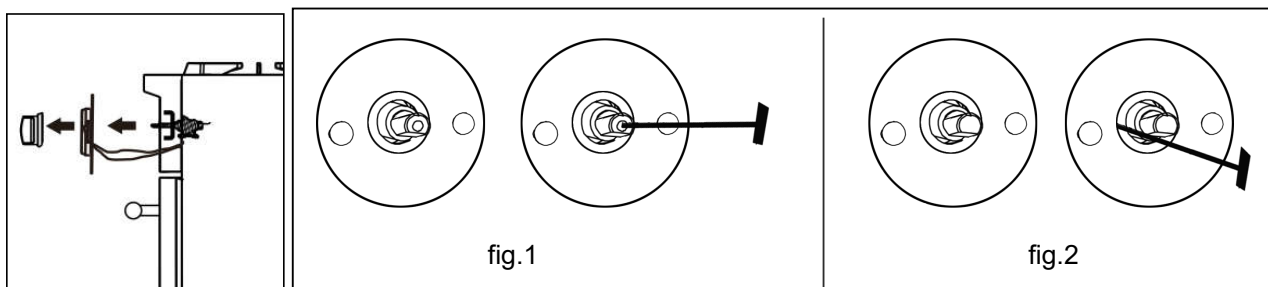
| | | Modelo:FFSGS6439-30 | Modelo:FFSGS6439-36 | Modelo:FFSGS6439-48 |
|---------------|-----|---------------------|---------------------|---------------------|
| Asador | GN | 1.38 | 1.38 | 1.38 |
| | GPL | 0.94 | 0.94 | 0.94 |

ETAPA 5: Válvula de gas

a. Retire las perillas de control.

b. Con un destornillador plano, ajuste los chorros de derivación del quemador principal hacia un 1/4 del círculo de propano hasta que la llama sea normal. Para quemadores de 9.000btu y 15.000btu, consulte la figura 1, que se encuentra en el centro del eje de la válvula. Para quemadores de 20.000 btu, consulte la figura 2, que se encuentra en el lado izquierdo del eje de la válvula.

Atención por favor: Si el tornillo de la boquilla de derivación se aprieta demasiado, cuando el quemador se establece como mínimo, el encendido se abrirá porque la salida de gas es demasiado baja.

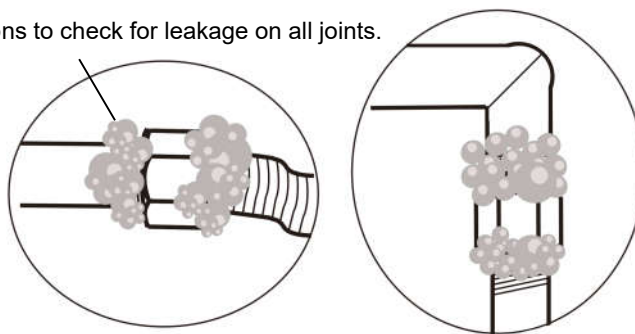


PASO 6: Reconecte el suministro de gas y electricidad.

Las pruebas de fugas en la cocina deben realizarse según las instrucciones de instalación que vienen con la cocina.

Antes de usar la cocina después de la conversión de gas, siempre verifique si hay fugas con una solución de agua jabonosa u otro método aceptable en todos los accesorios de gas entre la tubería de entrada de gas de la cocina, el regulador de gas y la válvula de cierre manual.

Use soapy solutions to check for leakage on all joints.



¡NO use una llama para verificar si hay fugas de gas!

ETAPA 7: Quemador de horno con obturador de aire (opcional)

Podría ser necesario ajustar el obturador de aire del quemador del horno, especialmente si la unidad se ha convertido para usar con el PL. La altura aproximada de la llama del quemador es de una pulgada (llama azul interna distintiva).

Para determinar si la llama del quemador del horno es aceptable:

- a. Al retirar la placa de protección, ajuste el horno a 350 °F (177 °C) y observe la llama. Si la llama es amarilla, aumente el tamaño de la apertura del obturador de aire. Si la llama es azul y está lejos del quemador, reduzca el tamaño de la apertura del obturador de aire.
- b. Apague el horno y permita que se enfríe antes de ajustar el obturador de aire. Para el ajuste, afloje el tornillo de bloqueo, vuelva a colocar el obturador de aire y apriete el tornillo de bloqueo. Pruebe el quemador nuevamente repitiendo los pasos anteriores. Cuando la llama del quemador tiene un color azul distintivo y arde continuamente, el obturador de aire ya está correctamente ajustado.

ETAPA 8: Instalación de una nueva etiqueta de evaluación

Anote el modelo y el número de serie en la placa de identificación de PL/Propano provista en este kit. La información está en la placa de identificación existente. Coloque la nueva placa lo más cerca posible de la placa de identificación de la cocina ya existente.

Preparación

Antes de mover la cocina, proteja el acabado del revestimiento del piso y cierre las puertas del horno para evitar que se dañe.

Las puertas del horno pueden ser removidas para aligerar la carga o para pasar la unidad a través de la puerta. Solo retírelas si es necesario. No retire la placa calefactora u otros componentes. Solo un instalador autorizado o un técnico de servicio debe retirar la puerta.

Colocación

No levante ni lleve la unidad a través de la manija de la puerta.

Use un carro de dispositivos para mover el rango cerca de la abertura. Retire y recicle los materiales de embalaje. No descarte el soporte antivuelco por error que venía con la gama.

Nivelación

Aumente el rango a la altura deseada ajustando las piernas. Las patas se pueden ajustar girando la pierna de metal en el sentido de las agujas del reloj para levantar y en sentido contrario a las agujas del reloj para bajar.

Soporte antivuelco

Para evitar que la cocina se incline hacia adelante, debe instalar el soporte antivuelco. Consulte la imagen en la página 5.

Conexión del suministro de gas

Todas las conexiones a los conductos de gas deben ajustarse con la llave. No apriete demasiado y no permita que los conductos se doblen al apretar.

Una vez realizadas todas las conexiones, verifique que todos los controles de la cocina estén en la posición "OFF" y abra la válvula principal de suministro de gas.

Si utiliza un conector de metal flexible, verifique que no esté doblado. Luego, conecte la línea de suministro de gas al regulador de la cocina. Abra la válvula y verifique si hay fugas colocando una solución de detergente líquido en todas las conexiones de gas. Las burbujas alrededor de las conexiones indican una fuga de gas. Si se produce una fuga, cierre la válvula de cierre y ajuste las conexiones.

Las pruebas de fugas del dispositivo deben realizarse siguiendo las instrucciones del fabricante. Use agua jabonosa (50% de agua y 50% de jabón) o un detector de fugas en todas las juntas y conexiones para verificar si hay fugas en el sistema. No use una llama para verificar si hay fugas de gas.

El aparato debe aislarse del sistema de tuberías de suministro de gas del edificio cerrando su válvula de cierre manual individual durante cualquier prueba de presión del sistema de tuberías de suministro de gas a una presión de prueba igual o menor a 0.5 psi (3.5 kPa).

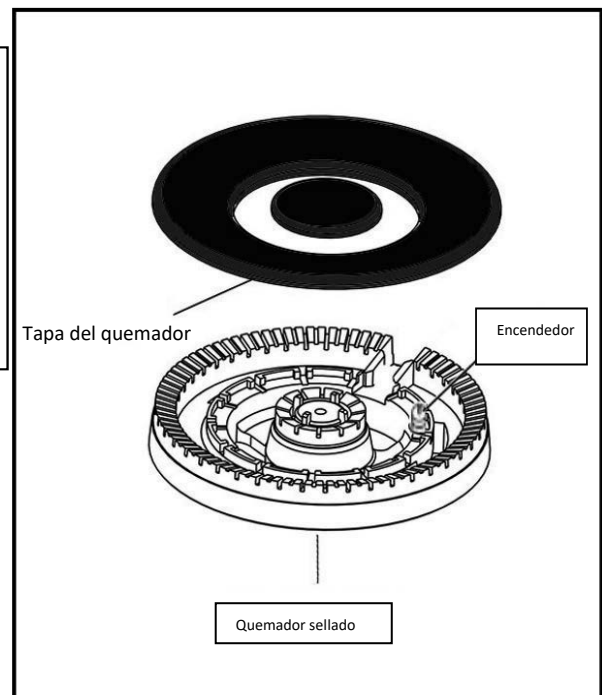
Inicio

Antes de comenzar a cocinar, siga los siguientes pasos.

- Retire el embalaje exterior e interior.
- Retire la película protectora de las piezas de acero y aluminio.
- Limpie a fondo la cocina con agua caliente y un detergente suave. Enjuague y seque con un paño suave para eliminar cualquier aceite o grasa que haya quedado del proceso de fabricación.
- Verifique que los componentes del quemador de superficie estén correctamente ensamblados.
- Organice el interior del horno insertando los estantes y la bandeja.

Funcionamiento de la placa de cocción.

El diseño del quemador reúne todas las partes del quemador en un solo conjunto. La tapa del quemador debe asentarse de manera plana sobre el quemador. Consulte la siguiente ilustración.



Encendido

Para encender los quemadores de la cocina, presione la perilla de control apropiada y gírela en sentido antihorario a la posición "Hi". Escuchará un clic: el sonido de la chispa eléctrica que enciende el quemador.

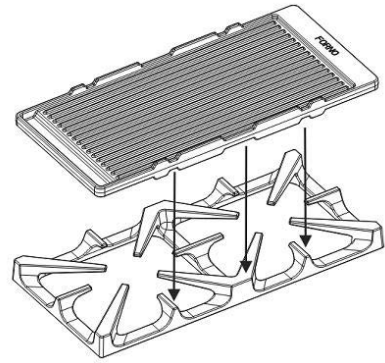
Una vez que se ha encendido el quemador, gire la perilla para ajustar la llama a la intensidad deseada.

Configuraciones de calor:

Uso de la parrilla (disponible en modelos de 48 pulgadas)

Antes de usar la parrilla

1. Limpie a fondo la parrilla con agua tibia y jabón para eliminar el polvo o la capa protectora.
2. Enjuague con agua limpia y limpie con un paño/toalla suave limpio y sin pelusas.



Uso de la parrilla

Su estufa **FORNO** puede haber venido con una parrilla reversible estándar. Para un uso óptimo y los mejores resultados, lea a continuación.

Precaliente suavemente - porque la rejilla FORNO es tan grande que puede tomar tiempo para que se caliente de manera uniforme. Una vez que alcance la temperatura de cocción, ¡podrá conservarlo durante mucho tiempo! Le recomendamos que ajuste los quemadores de su estufa a fuego lento y aumente gradualmente su intensidad hasta que alcance su temperatura objetivo. Es más fácil hacer que una parrilla se caliente una vez que ya está calentada, al precalentar lentamente, puede controlar el calor más fácilmente. Para ser efectivo con su tiempo, puede comenzar el proceso de precalentamiento mientras prepara sus ingredientes. Siguiendo los pasos anteriores, el precalentamiento completo de la red Forno generalmente tomará de 10 a 15 minutos. Luego, disfrute de su experiencia culinaria en la cuadrícula de FORNO.

¡Comience bajo y no se sobrecaliente! - Es posible que tenga ganas de girar sus quemadores a su máxima intensidad la primera vez que use la cuadrícula FORNO, ¡pero no lo haga! Los quemadores solo necesitan ajustarse a 1/3 a 1/2 de potencia para calentar la red a más de 500 grados. La mayoría de los chefs están de acuerdo en que la temperatura máxima de cocción que necesitará es de 500 a 550 grados para cocinar un bistec.



Precaución

PRECAUCIÓN: la superficie de la parrilla está caliente después de su uso. Antes de limpiarla, espere el tiempo suficiente para que se enfríe.

Consejos para limpiar la placa de cocción

- Para evitar que la placa de cocción se decolore o se manche, límpiela después de cada uso y limpie las salpicaduras ácidas o azucaradas tan pronto como la cubierta se enfríe.
- Los quemadores sellados de su cocina no están unidos a la cocina y están diseñados para ser retirados. Los derrames no se filtrarán debajo de la placa de cocción. Los quemadores deben limpiarse después de cada uso.

Luz del horno



La luz del horno se controla mediante un botón ubicado en el panel de control. Se puede usar esta luz mientras cocina o limpia el horno.



Advertencia

ADVERTENCIA: verifique que la energía esté desconectada de la caja eléctrica antes de reemplazar la bombilla. Deje que el horno se enfríe completamente, luego desenrosque la tapa de la luz y retire la bombilla desenroscándola de la toma. Reemplace con una bombilla halógena de 40 vatios.

Interruptor de luz LED

Utilice el interruptor de luz LED para encender las luces LED cuando la habitación se oscurezca.

Funcionamiento del horno

Consejos para hornear

1. Nunca cubra ninguna ranura, agujero o la parte inferior del horno, ni cubra una rejilla completa con materiales como papel de aluminio. Esta acción bloquea el flujo de aire hacia el horno y puede causar envenenamiento por monóxido de carbono. El revestimiento de aluminio también puede atrapar el calor y provocar un peligro de incendio.

No use papel de aluminio sobre ninguna superficie de porcelana. Esto podría dañar la porcelana y afectar su durabilidad.

2. Coloque las rejillas antes de precalentar el horno.

3. Reduzca la temperatura del horno en 14 °C (57.2 °F) cuando hornee en recipientes de vidrio resistentes al calor o de cerámica de vidrio.

Pre calentamiento

Deje que el horno se caliente antes de poner la comida en el horno. Al hornear pasteles, galletas, pasteles y pan, el pre calentamiento es una condición necesaria para lograr buenos resultados.

Retire todos los utensilios de cocina antes de calentarlos con un quemador de horno o un tostador infrarrojo.

La comida se pegará al metal caliente. Para calentar, gire la perilla de selección "horno" a la temperatura deseada. Antes de poner la comida en el horno, espere a que el semáforo rojo se apague.

Nota: al pre calentamiento, la condensación o atomización en el interior del vidrio de la puerta del horno es normal y generalmente se evapora al final del ciclo de pre calentamiento.

Función del horno

La cocción natural ocurre cuando los quemadores transfieren el calor al horno mediante los quemadores ubicados al fondo de la cavidad del horno. El calor luego circula a través de la circulación de aire natural. Esta es la configuración de cocción tradicional.

Horneado por convección

El calor se transfiere desde los quemadores de cocción ubicados en la parte inferior de la cavidad del horno a la cavidad misma del horno. Posteriormente, el ventilador de convección en la parte posterior del horno lo hace circular. Este proceso de convección permite una distribución del calor más uniforme en todo el horno. Es posible usar varias rejillas para cocinar grandes cantidades. La cocción por convección es más rápida y se puede hacer a temperaturas más bajas proporcionando temperaturas más iguales que la cocción normal.

Asado por convección

El ventilador de convección hace circular el aire caliente de manera uniforme sobre y alrededor de los alimentos. Con una asadera, el aire caliente circulará alrededor de los alimentos que se están asando. Sellos de aire caliente en jugos rápidamente los jugos para obtener un plato suave y tierno mientras dora perfectamente el exterior. Al asar por convección, debe utilizar la bandeja asadera para obtener los mejores resultados de asado por convección. La bandeja asadera se utiliza para capturar salpicaduras de grasa y tiene una tapa para evitar que salpique la grasa.

Descongelamiento por convección

Cuando se desactiva el control de temperatura, el ventilador motorizado ubicado en la parte posterior del horno hace circular el aire. El ventilador acelera la descongelación natural de los alimentos sin calor. No deje que los alimentos se descongelen en el horno por más de dos horas sin cocinar para evitar enfermedades y desperdicio de alimentos.

Deshidratación por convección

Con un control de temperatura de 79.5 °C (175 °F), el aire caliente se irradia desde los quemadores de horno en la parte inferior de la cavidad del horno y circula por un ventilador motorizado en la parte posterior del horno. Después de un tiempo, la comida elimina el agua por evaporación y esta eliminación del agua inhibe el crecimiento de microorganismos y retrasa la actividad de las enzimas.

Funcionamiento del asador

Nota: Durante el funcionamiento del asador, la puerta debe permanecer cerrada.

El quemador del asador se ubica en la parte superior del horno. Este quemador calienta la pantalla de metal hasta que se vuelve brillante. La pantalla iluminada produce calor, dorando el exterior de los alimentos que están en la parrilla y sellando así los jugos. Asar a la parrilla es un método de cocción para cortes tiernos de carne directamente debajo del asador del horno. El asado en el horno se hace con la puerta del horno cerrada. Es normal e incluso necesario lograr algún ahumado para dar sabor a los alimentos.

Ajuste del asador

La perilla "Oven" (horno) controla la funcionalidad del asador. Al asar, el calor se difunde hacia abajo para lograr una cobertura uniforme. La temperatura de la función de asado es de 260 °C (500 °F).

Cuando se usan juntas, la asadera (No incluido) y la rejilla permiten que la grasa gotee y se mantenga alejada del calor intenso de la parrilla del horno. NO use la asadera sin su rejilla. NO cubra la rejilla de la asadera con papel de aluminio. La grasa expuesta podría incendiarse. Para configurar el horno en modo asador:

1. Coloque la rejilla en la bandeja asadera. Luego ponga la comida sobre la rejilla de la bandeja asadera.
2. Ajuste la parrilla del horno y coloque la bandeja asadera sobre la parrilla. Coloque la bandeja asadera en el centro y colóquela directamente debajo del asador. Si primero precalienta el quemador del asador, coloque la bandeja asadera después de precalentarlo.
3. Coloque el selector en "Broil" (asar).

La luz del horno permanece encendida hasta que el selector se apaga o el control de temperatura se apaga.

Coloque la parrilla en el nivel correcto. Cuanto más lejos esté la comida del asador, más se cocinará por dentro. Precalentar el horno es necesario. Presione el botón y gírelo a BROIL (asar). De vuelta la comida a la mitad de cocción. Siempre tire de la rejilla hacia afuera antes de dar vuelta o retirar los alimentos.

Consejos de limpieza del horno

1. Después de cada uso y una vez que el horno esté frío, limpie los derrames y desbordes de inmediato.
2. No deje alimentos con alto contenido de azúcar o ácido en el interior del horno.
3. Use un limpiador de hornos para limpiar toda la cavidad del horno.

Termostato del horno y tiempo de cocción

Los números que aparecen en el panel de control indican el aumento de la temperatura del horno (°F). Para configurar la temperatura, coloque el número deseado con el botón de control.

Nota: La posición de BROIL (asar) es solo para encender el quemador del asador.


El tiempo de cocción puede variar según el tipo de alimento, su densidad y su cantidad. Durante la primera cocción, se recomienda controlar y verificar los resultados ya que se obtienen en general resultados similares al preparar los mismos platos en las mismas condiciones.

Use el termostato para controlar las temperaturas y los tiempos según las guías de cocción.

Recomendaciones de mantenimiento y limpieza

| | |
|--------------------------|---|
| Acero inoxidable | Use un limpiador de acero inoxidable no abrasivo y aplíquelo con un paño suave y sin pelusa. Para resaltar el brillo natural, limpie ligeramente la superficie con un paño de microfibra seguido de un paño de pulido seco. Siga siempre la textura del acero inoxidable. |
| Rejilla del quemador | Retire y coloque sobre una superficie plana cerca del fregadero. Limpie con agua caliente y detergente suave o con pasta de bicarbonato de sodio y agua. No se sumerja en el agua. Seque con una toalla y limpie suavemente con aceite de oliva. Esto ayuda a la rejilla a evitar el óxido. El agua que queda en la rejilla puede causar óxido o dejar marcas. |
| Bandeja del quemador | Retire los restos de la superficie antes de limpiar para acelerar el proceso y reducir el riesgo de rayar la superficie durante la limpieza. Use limpiadores abrasivos suaves o desengrasantes en aerosol, limpie y enjuague la superficie y seque inmediatamente para evitar rayaduras. Para limpiar las manchas de agua dura, use vinagre blanco y agua. Enjuague y seque inmediatamente. |
| Quemadores de superficie | Deja que se enfríe. Limpiar con un limpiador suave o un desengrasante en aerosol. Enjuague con agua y seque con una toalla. Nota: las cocinas de gas profesionales requieren un alto nivel de mantenimiento y pueden dejar de funcionar si el agujero del acelerador está bloqueado o el deflector está sucio. Si este es el caso, sácalo, límpialo a fondo y elimina el exceso de agua. Forno no es responsable de ningún problema relacionado con el mantenimiento. |
| Perillas de control | Con un paño húmedo, limpie con un detergente suave o un desengrasante en aerosol; enjuague y seque. No las coloque en el lavavajillas. |
| Interior del horno | Use limpiadores abrasivos suaves y desengrasantes en aerosol. Use una cuchilla de afeitar para levantar suavemente los alimentos cocidos de la cavidad y ventana del horno. Para manchas difíciles, rocíe con un limpiador abrasivo suave o un desengrasante en aerosol. Lave toda la cavidad del horno con agua y jabón para eliminar todos los productos químicos de limpieza. |
| Parrillas del horno | Para limpiar la rejilla superior, use detergente suave y una esponja. Enjuague y seque. Para limpiar la bandeja inferior, quite la grasa y lave con agua caliente y detergente suave. Enjuague y seque. La rejilla superior de acero inoxidable es apta para lavavajillas. Sin embargo, no coloque la rejilla o bandeja con revestimiento de porcelana en el lavavajillas. |

Consejos para solucionar problemas Antes de llamar al servicio de asistencia

| | |
|---|--|
| La cocina no funciona | Compruebe que haya energía eléctrica. Compruebe que la energía eléctrica llegue a la cocina y el disyuntor doméstico esté encendido. |
| Los quemadores no se encienden ni chispean aleatoriamente | El enchufe eléctrico no está enchufado a un tomacorriente activo. El suministro de gas no está activado. Las piezas del quemador no se reemplazaron correctamente. Los agujeros en los anillos de cocción o las ranuras de los quemadores están bloqueados. Las boquillas, los quemadores o los electrodos mojados están obstruidos. Es posible que haya saltado un fusible en su casa o que se haya disparado un disyuntor. |
| Los quemadores tienen llamas amarillas o amarillas dispersas | Las piezas del quemador no se reemplazaron correctamente. A. Llamas amarillas: llame al servicio. B. Puntas amarillas en conos exteriores: es normal para gas propano (PL). C. Llamas azules suaves: es normal para gas natural.  Si las llamas del quemador se parecen a (A), solicite servicio técnico. Las llamas normales del quemador deben verse como (B) o (C), dependiendo del tipo de gas. |
| Las llamas de los quemadores son muy grandes o amarillas. | La cocina puede estar conectada a un tipo de combustible incorrecto. Póngase en contacto con la persona que lo instaló o lo convirtió. |
| Las llamas de los quemadores contienen parpadeos anaranjados. | Polvo suspendido en el aire; humidificador de vapor frío; desechos en o dentro del quemador |
| Las luces del horno no funcionan | Si la bombilla está defectuosa, reemplácela. |
| Las rejillas del horno son difíciles de deslizar | No rocíe spray de cocina ni otros lubricantes en aerosol. Lea la información completa sobre Rejillas de horno en la sección Cuidado y limpieza. |
| La comida no se hornea o se asa correctamente. | Los controles del horno pueden estar configurados incorrectamente. Vea la sección Horneear o asar. El horno no se ha precalentado durante un período suficiente. |

| | |
|--|--|
| | <p>Utensilios de cocina inadecuados o incorrecto tamaño de la cacerola utilizada. Rejillas en la posición incorrecta. Vea la sección Hornear o Asar. Use una cobertura de aluminio para disminuir el dorado mientras cocina.</p> <p>Debe ajustar el termostato del horno. Consulte Configuración del termostato del horno.</p> |
| Los alimentos no se asan correctamente | <p>Este modelo está diseñado solo para parrillas de puerta cerrada. Cierre la puerta. Siempre ase con la puerta cerrada.</p> <p>Los controles del horno no están configurados para ASAR. Ver la sección ASAR.</p> <p>Posición incorrecta de la parrilla.</p> <p>Los utensilios de cocina no son aptos para asar. Use la asadera y la parrilla provistas con su horno.</p> <p>El papel de aluminio utilizado sobre la bandeja asadera y la parrilla no se instalaron correctamente como se recomendó.</p> |
| Temperatura del horno demasiado alta o demasiado baja. | Necesita ajustar la configuración de temperatura de la perilla del horno. |
| Vapor que proveniente de la ventilación | Cuando se usa el modo convección, es normal que salga vapor de la ventilación del horno. A mayor cantidad de rejillas o más alimentos en cocción, aumenta la cantidad de vapor visible. |
| Olor a quemado o aceite emitido por la ventilación | Esto es normal en un horno nuevo y desaparecerá con el tiempo. |
| Olor fuerte | Es temporal. Las primeras veces que use el horno, es normal que haya un olor causado por el aislamiento que rodea el interior del horno. |
| Ventilador de convección no siempre en funcionamiento | El ventilador de convección (según la función utilizada) se puede encender y apagar hasta que se complete la función o se abra la puerta para optimizar el rendimiento. Esto es normal. El ventilador de convección puede girar en sentido horario hasta que se complete la función o se abra la puerta. |
| Condensación o vidrio de la puerta empañado | Durante el precalentamiento del horno, la condensación o el empañamiento del vidrio de la puerta del horno es normal y generalmente se evaporará al final del ciclo de precalentamiento. |
| Crujido o explosión durante la limpieza | Es normal. Este es el sonido del metal calentándose y enfriándose durante las funciones de cocción y limpieza. |
| Humo excesivo durante la limpieza. | El horno está muy sucio. Gire el selector de modo del horno y las perillas de temperatura a OFF (apagado). Abra las ventanas para eliminar el humo de la habitación. Espere hasta que la luz indicadora de puerta cerrada se apague. Remueva el exceso de suciedad y vuelva a limpiar. |

LEA ESTAS INDICACIONES ANTES DE UTILIZAR SU HORNO



Para Modelos de Cocinas de Estilo Comercial
Forno: FFSGS6444, FFSGS6356, FFSGS6460,
FFSGS6387, FFSGS6439, FFSGS6325 Información
útil para su horno:

- Este horno es muy potente.
- Para evitar quemaduras, use guantes de cocina cuando manipule las parrillas del horno y tenga cuidado de no tocar la puerta del horno cuando esté en uso.
- Todas las perillas pueden alcanzar los 123°F cuando el horno está en uso, aunque la normativa estándar es de 148°F como máximo, manipúlelas con cuidado.
- Para lograr un asado más eficiente, precaliente a 500°F durante 8 minutos.

Consejos de cocción:

1-Pizza: Coloque la rejilla en el nivel inferior a 375°F durante 16 minutos y luego ase de 2 a 3 minutos en el nivel superior.

2-Verduras: Coloque la segunda rejilla desde la parte inferior a 350°F durante 14 a 17 minutos.

3- Coloque la rejilla en el nivel medio a 350°F para:

Pescado: de 4 a 6 minutos

Carnes 10 oz.: entre 9-14 minutos

Pollo 8 oz.: entre 14-19 minutos

4-Pavo y Carnes Estofadas:

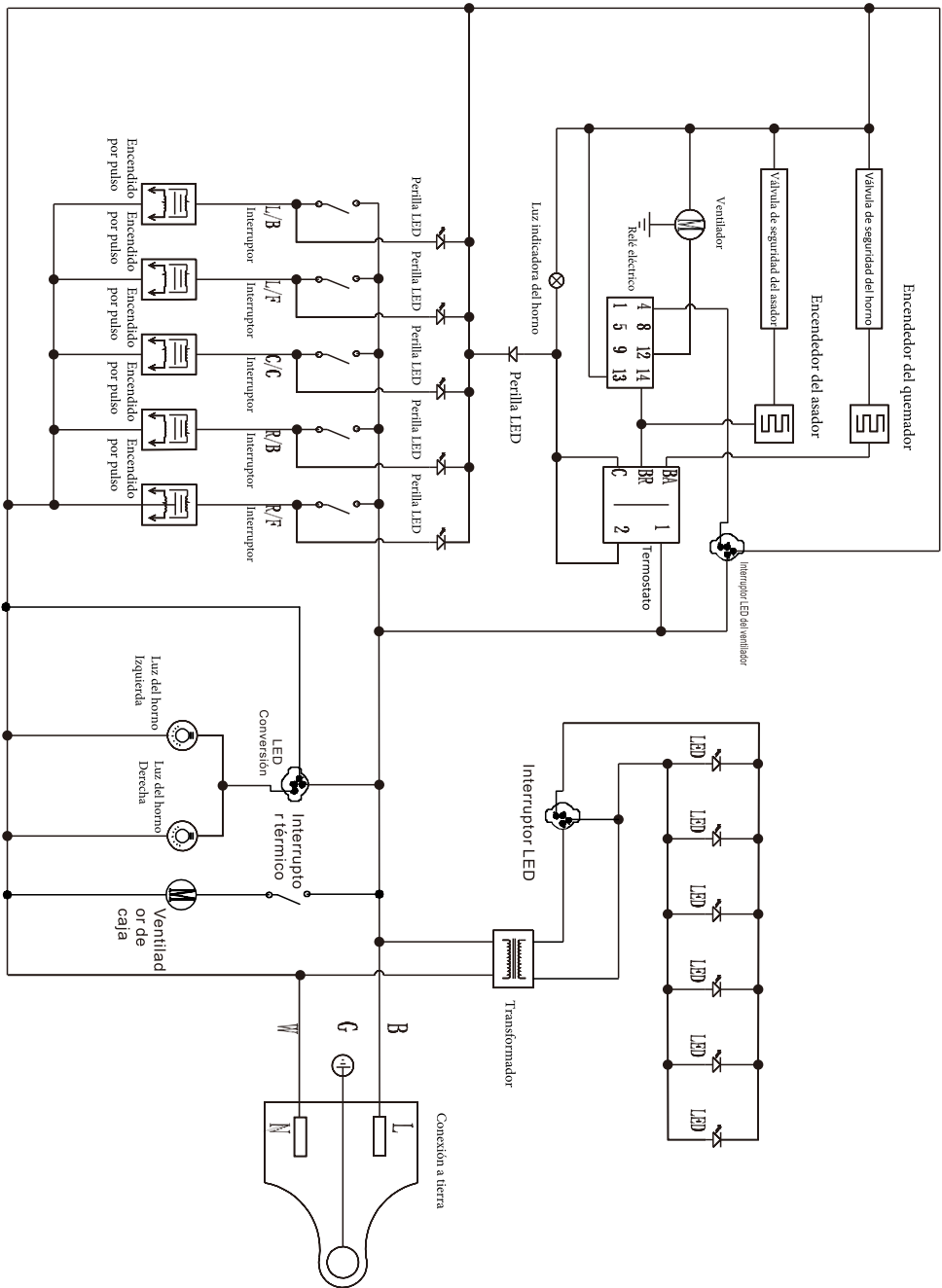
Coloque la rejilla en el nivel inferior a 350°F, no es necesario aumentar la temperatura de cocción por encima de 350°F durante los primeros 20 minutos.

forno.ca
1-866-231-8893
info@forno.ca



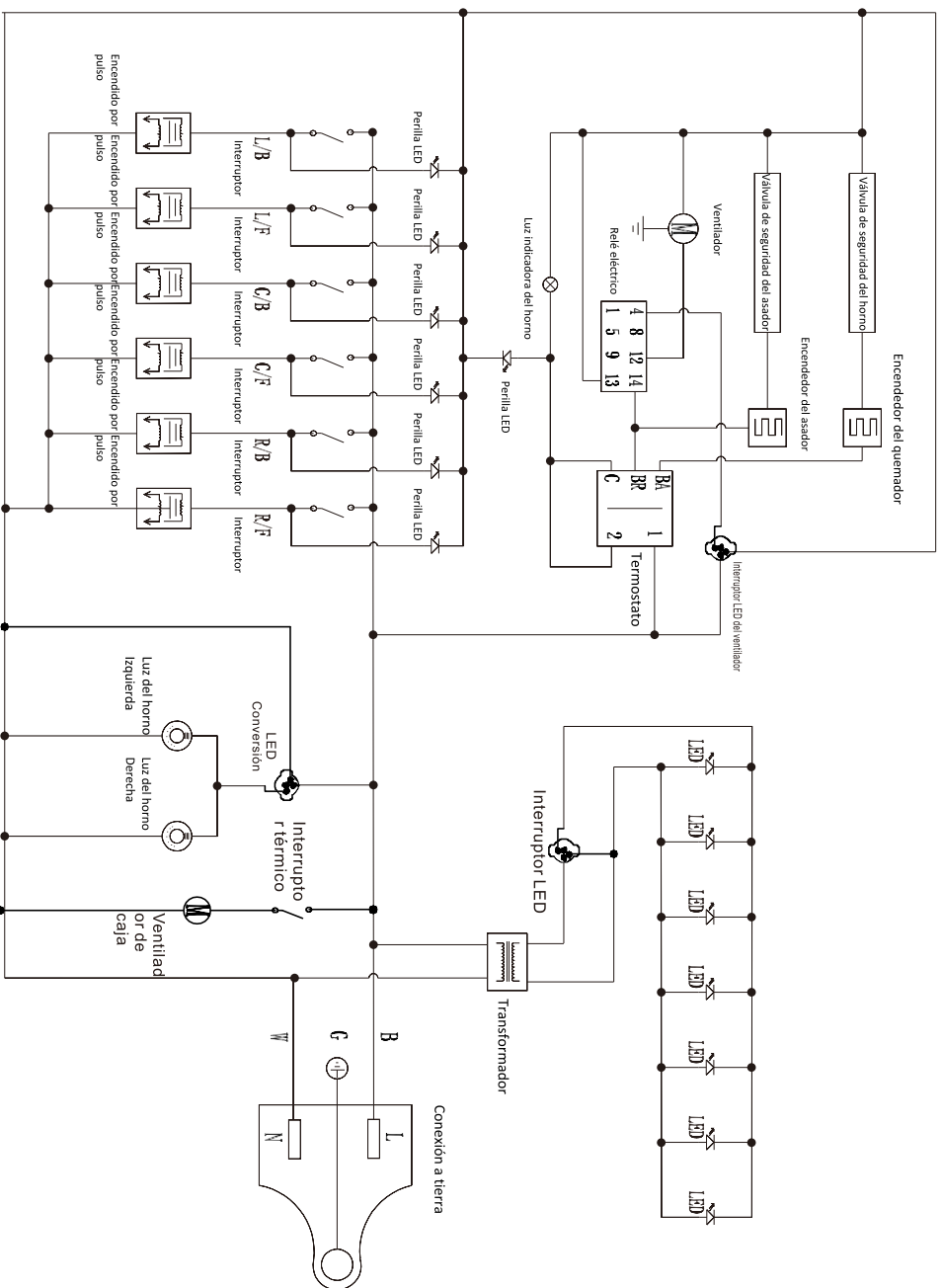
Diagramas de cableado

FFSGS6439-30



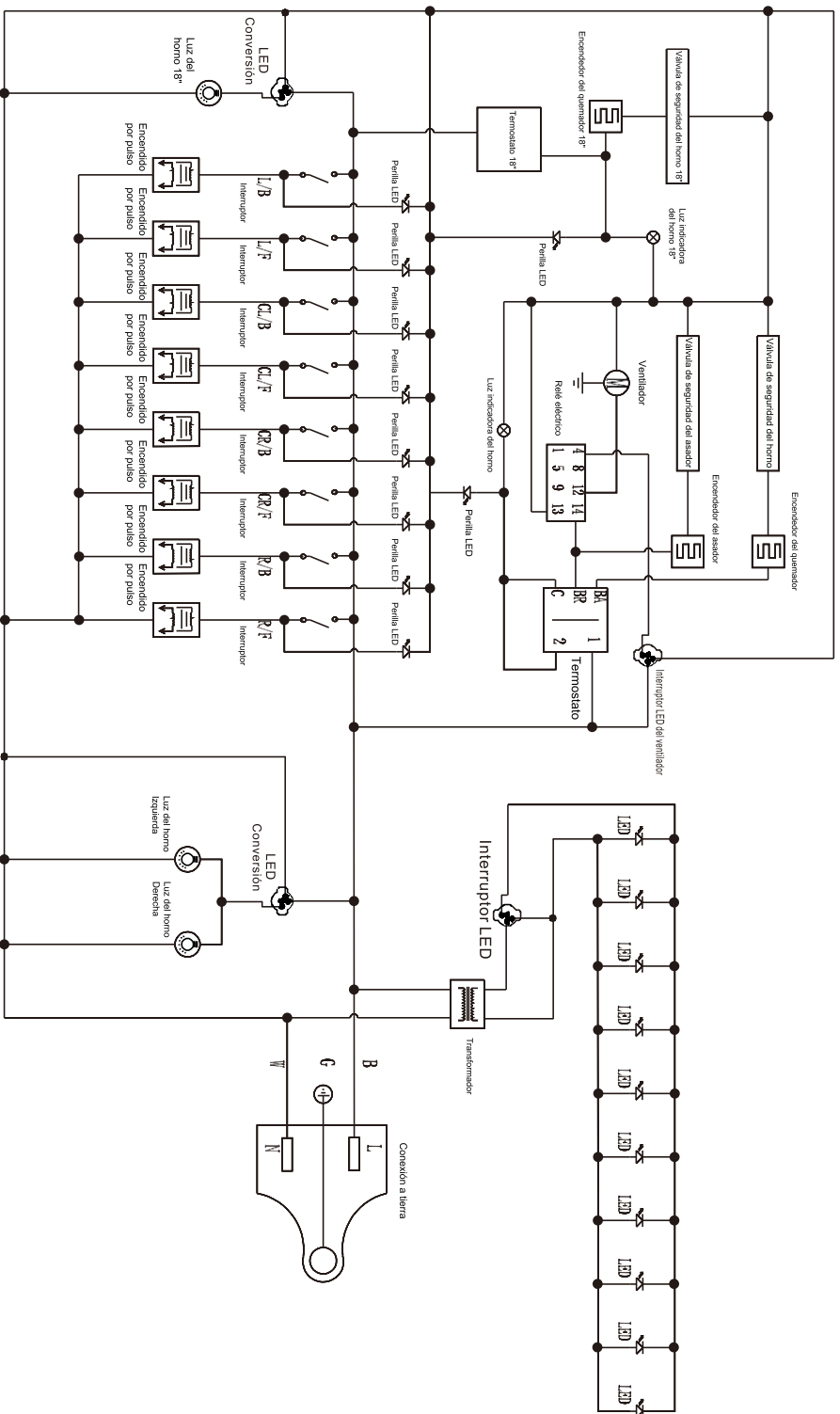
Precaución: Etiquete todos los cables antes de desconectarlos cuando realice el mantenimiento de los controles. Los errores de cableado pueden causar una operación incorrecta y peligrosa. Verifique el correcto funcionamiento después de haber realizado el mantenimiento.

FFSGS6439-36



Precaución: Etiquete todos los cables antes de desconectarlos cuando realice el mantenimiento de los controles. Los errores de cableado pueden causar una operación incorrecta y peligrosa. Verifique el correcto funcionamiento después de haber realizado el mantenimiento.

FFSGS6439-48



Precaución: Etiquete todos los cables antes de desconectarlos cuando realice el mantenimiento de los controles. Los errores de cableado pueden causar una operación incorrecta y peligrosa. Verifique el correcto funcionamiento después de haber realizado el mantenimiento.

