



GAS RANGE



**INSTALLATION GUIDE
SPECIFICATIONS, INSTALLATION, AND MORE**

MODEL NUMBERS:



FFSGS6239-30



FFSGS6239-36



FFSGS6239-48

Contents

Customer Care	3
Consumer Information	4
Safety Information	6
Features of Your Range	10
Installation Instructions	
Door Handle Installation	11
Cooktop Burner Grates Installation	11
Oven Racks Installation	11
Electrical	12
Gas Supply	13
Pressure Regulator	14
Gas Shut-off Valve	14
Product Dimensions and Cabinets	15
Exhaust Hood Installation	17
Gas Conversion Operation	17
Gas Supply Connection	22
Cooktop Operation	
Ignition	23
Simmer and Boil	23
Burner Grates	23
Griddle Operation	24
Cooktop Cleaning Tips	24
Oven Light	24
Magic Eyes	24
Oven Baking Operation	
Preheating	25
Convection Bake	25
Convection Roast	25
Broil Operation	
Setting Broil	26
Oven Cleaning Tips	26
Oven Thermostat & Cooking Time	27
Care and Cleaning Recommendation	27
Troubleshooting Tips	28
Wire Diagram	30

Customer Care

Thank you for purchasing a FORNO cooking range. Please read the entire instruction manual before operating your new appliance for the first time. Whether you are an occasional cook or an expert chef, it will be beneficial to familiarize yourself with the safety practices, features, operation and care recommendations of your cooking range.

Both the model and serial number are listed in the front panel of the product. For warranty purposes, you will also need the date of purchase. Record this information below for future reference.

SERVICE INFORMATION

Use these numbers in any correspondence or service calls concerning your cooking range.

Model Number

Serial Number

If you received a damaged cooking range, immediately contact the dealer (or builder) that sold you the cooking range.

Date of Purchase

Save time and money. Before you call for service, check the Troubleshooting Guide. It lists the causes of minor operating problems that you can correct yourself.

Purchase Address & Phone

SERVICE IN CANADA:

Keep the instruction manual handy to answer your questions. If you don't understand something or you need more assistance, please call our Customer Service: 1-800-561-7265

Or email: service@distinctive-online.com

SERVICE IN THE UNITED STATES:

Keep the instruction manual handy to answer your questions. If you don't understand something or you need more assistance, please call our Customer Service: 1-866-231-8893

Or email: info@forno.ca

If your cooking range ever requires servicing, be sure to use a FORNO Factory Certified Service provider recommended by our customer care center. All Factory Certified Service providers are carefully selected and thoroughly trained by us.

Consumer Information

Range Safety

Your safety and the safety of others are very important.

We have provided many important safety messages in this manual and on your appliance. Always read and obey all safety messages.



This is a safety alert symbol. It will alert you to potential personal or property safety hazards. Obey all safety messages to avoid any property damage, personal injury or death.

⚠ WARNING

WARNING indicates a potentially hazardous situation which, if not avoided, could result in serious injury or death.

⚠ CAUTION

CAUTION indicates a moderate hazardous situation which, if not avoided, could result in minor or moderate injury.

All safety messages will alert you what the potential hazard is, tell you how to reduce the chance of injury, and let you know what can happen if the instructions are not followed.

⚠ WARNING

If the information in this manual is not followed exactly, a fire or explosion may result, causing property damage, personal injury or death.


Do not store or use gasoline or other flammable vapors and liquids in the vicinity of this or any other appliance.

- WHAT TO DO IF YOU SMELL GAS

- Do not try to light any appliance.
- Do not touch any electrical switch.
- Do not use any phone in your building.
- Immediately call your gas supplier from a neighbor's phone. Follow the gas supplier's instructions.
- If you cannot reach your gas supplier, call the fire department.

Installation and service must be performed by a qualified installer, service agency or the gas supplier.

ANTI-TIP DEVICE



WARNING

Tip-Over Hazard

A child or adult can tip the range which can result in serious injuries or death.

Install the anti-tip device to the range and/or structure per installation instructions.

Engage the range to the Anti-tip device installed to the structure.

Re-engage the anti-tip device if the range is removed.

Failure to follow these instructions can result in death or serious injuries and/or burns to children and adults.

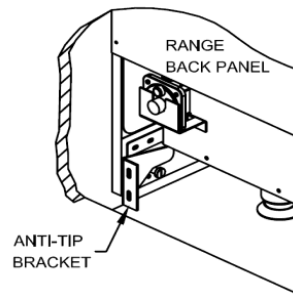
To reduce the risk of tipping the range, the range must be secured by properly installed anti-tip device packed with the range. See installation instructions shipped with the bracket for complete details before attempting to install.

All ranges can tip and cause injuries.

Make sure the anti-tip bracket is installed:

Slide range forward.

Make sure the anti-tip bracket is securely attached to the wall behind the range.



PROPOSITION 65 FOR CALIFORNIA RESIDENTS

Cancer and Reproductive Harm—

www.P65Warnings.ca.gov

IMPORTANT SAFETY INFORMATION

READ ALL INSTRUCTIONS BEFORE USING THE APPLIANCE

▲WARNING Read all safety instructions before using the product. Failure to follow these instructions may result in fire, electrical shock, serious injury or death.

GENERAL SAFETY INSTRUCTIONS

▲WARNING NEVER use this appliance as a space heater to heat or warm the room. Doing so may result in carbon monoxide poisoning and overheating of the oven.

1. Use this range for its intended purpose as described in this instruction manual.
2. Have your range installed and properly grounded by a qualified installer in accordance with the provided installation instructions.
3. Any adjustment and service should be performed only by a qualified gas range installer or service technician. Do not attempt to repair or replace any part of your range unless it is specifically recommended in this manual.
4. Your range is shipped from the factory set for use with natural gas or propane (LP) gas. It can be converted for use with either. If required, these adjustments must be made by a qualified technician in accordance with the installation instructions and local codes. The agency performing this work assumes responsibility for the conversion.
5. Have the installer show you the location of the range gas shut-off valve and how to turn it off if necessary.
6. Plug your range into a 120-volt grounded outlet only. Do not removed the round grounding prong from the plug. If in doubt about the grounding of the home electrical system, it is your responsibility and obligation to have an ungrounded outlet in accordance with the National Electrical Code. Do not use an extension code with this range.
7. Before performing any service, unplug the range or disconnect the power supply at the household distribution panel by removing the fuse or switching off the circuit breaker.
8. Be sure all packing materials are removed from the range before operating to prevent ignition of these materials.
9. Avoid scratching or impacting glass displays. Doing so may lead to glass breakage. Do not cook on a product with broken glass. Shock, fire, or cuts may occur.
10. Do not leave children alone or unattended in an area where an appliance is in use. They should never be allowed to climb, sit or stand on any part of the range.
11. **▲CAUTION** Do not store items of interest to children in cabinets above an oven-children who climb onto the oven to reach items could be seriously injured.
12. Never block the vents (air openings) of the range. They provide the air inlets and outlets that are necessary for the range to operate properly with correct combustion. Air openings are located at the rear of the cooktop, at the top and bottom of the oven door, and at the bottom of the range.
13. Use only dry pot holders--moist or damp pot holders on hot surfaces may result in burns from steam. Do not let pot holders touch surface burners, burner grate, or oven heating element. Do not use a towel or other bulky fabrics in place of pot holders.

14. Do not touch the heating elements or the interior surface of the oven. These surfaces may be hot enough to burn even though they are dark in color. During and after use, do not touch, or let clothing or other flammable materials contact any interior area of the oven; allow sufficient time for cooling first. Other surfaces of the appliance may become hot enough to cause burns. Potentially hot surfaces include the burners, grates, oven vent opening, surfaces near the opening, crevices around the oven door, metal trim parts above the door, any backguard, or high shelf surface.

15. Do not heat unopened food containers. Pressure could build up and the container could burst, causing any injury.

⚠ WARNING

Extremely Heavy.

Proper equipment and adequate manpower are needed when move the range to avoid personal injury or damage to the unit or the floor.

Failure to follow this advice may result in damage or personal injury.

⚠ WARNING

DO NOT carry or lift the cooking range by the oven door handle or the control panel!



Correct



Incorrect



⚠ WARNING GENERAL SAFETY INSTRUCTIONS (cont.)

Cook food thoroughly to help protect against foodborne illness. Minimum safe food temperature recommendations can be found at www.IsItDoneYet.gov and www.fsis.usda.gov. Use a food thermometer to take food temperatures and check several locations.

Do not allow anyone to climb, stand or hang on the oven door, drawer or cooktop. They could damage the range or tip it over causing severe injury or death.

Keep the ventilator hood and grease filter clean to maintain good venting and to avoid grease fires. Turn the ventilator OFF in case of a fire or when intentionally "flaming" liquor or other spirits on the cooktop. The blower if in operation, could spread the flames.

⚠ WARNING KEEP FLAMMABLE MATERIALS AWAY FROM THE RANGE

Failure to do so may result in fire or personal injury.

Do not store or use flammable materials in an oven or near the cooktop, including paper, plastic, pot holders, linens, wall coverings, curtains, drapes and gasoline or other flammable vapors and liquids.

Never wear loose-fitting or hanging garments while using the appliance. These garments may ignite if they contact hot surfaces causing severe burns.

Do not let cooking grease or other flammable materials accumulate in or near the range.

Grease in the oven or on the cooktop may ignite.

⚠ WARNING IN THE EVENT OF A FIRE, TAKE THE FOLLOWING STEPS TO PREVENT INJURY AND FIRE SPREADING

Do not use water on grease fires. Never pick up a flaming pan. Turn the controls off. Smother a flaming pan on a surface unit by covering the pan completely with a well-fitting lid, cookie sheet or flat tray. Use a multi-purpose dry chemical or foam-type fire extinguisher.

If there is a fire in the oven during baking, smother the fire by closing the oven door and turning the oven off or by using a multi-purpose dry chemical or foam-type fire extinguisher.

If there is a fire in the oven during self-clean, turn the oven off and wait for the fire to go out.

Do not force the door open. Introduction of fresh air at self-clean temperatures may lead to a burst of flame from the oven. Failure to follow this instruction may result in severe burns.

▲WARNING COOKTOP SAFETY INSTRUCTIONS

Never leave the surface burners unattended at medium or high heat settings. Foods, especially oily foods, may ignite resulting in fire that could spread to surrounding cabinets.

Never leave oil unattended while frying. If allowed to heat beyond its smoking point, oil may ignite resulting in fire that may spread to surrounding cabinets. Use a deep fat thermometer whenever possible to monitor oil temperature.

To avoid oil spillover and fire, use the minimum amount of oil when frying in a shallow pan and avoid cooking frozen foods with excessive amounts of ice.

Use proper pan size and avoid pans that are unstable or easily tipped. Select cookware that matches the size of the burner. Burner flames should be adjusted so that they do not extend beyond the bottom of the pan. Excessive flames may be hazardous.

When using glass/ceramic cookware, make sure it is suitable for cooktop use; others may break because of a sudden change in temperature.

To minimize the possibility of burns, ignition of flammable materials and spillage, cookware handles should be turned toward the center of the range without extending over nearby burners.

Do not use a wok with a round metal support ring. The ring may trap heat and block air to the burner resulting in a carbon monoxide hazard.

Do not attempt to lift the cooktop. Doing so may damage the gas tubing to the surface burners resulting in a gas leak and risk of fire.

Do not use aluminum foil to cover the grates or line any part of the cooktop. Doing so may result in carbon monoxide poisoning, overheating of the cooktop surfaces, or a potential fire hazard.

▲WARNING OVEN SAFETY INSTRUCTIONS

NEVER cover any slots, holes, or passages in the oven bottom or cover an entire rack with materials such as aluminum foil or oven liners. Doing so blocks air flow through the oven and may cause carbon monoxide poisoning. Never place foil or oven liners on the oven bottom. They can trap heat causing risk of smoke or fire.

Stand away from the range when opening the oven door. Escaping hot air or steam can cause burns to hands, face and/or eyes.

Never place cooking utensils, pizza or baking stones, or any type of foil or liner on the oven floor. These items can trap heat or melt, resulting in damage to the product and risk of shock, smoke or fire.

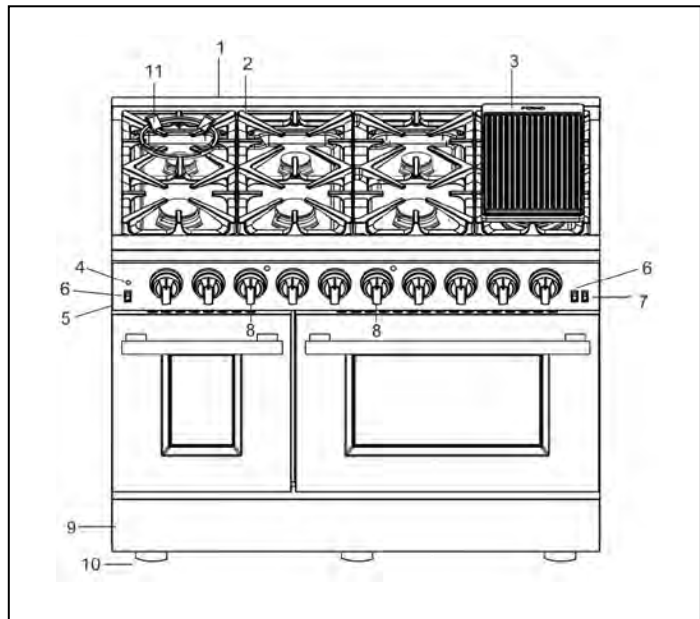
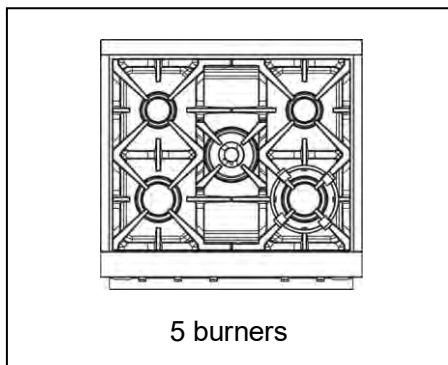
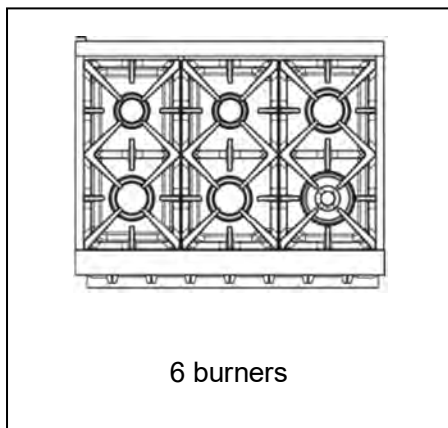
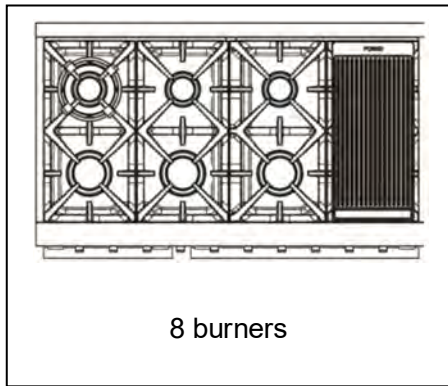
Place oven racks in desired location while oven is cool. If the rack must be moved while the oven is hot, be careful to avoid touching hot surfaces.

Do not leave items such as paper, cooking utensils, or food in the oven when not in use. Items stored in an oven can ignite.

Do not leave items on the cooktop near the oven vent. Items may overheat resulting in a risk of fire or burns.

Never broil with the door open. Open-door broiling is not advised due to overheating of control knobs.

Features of Your Range



Not all features are on all models. Appearance may vary.

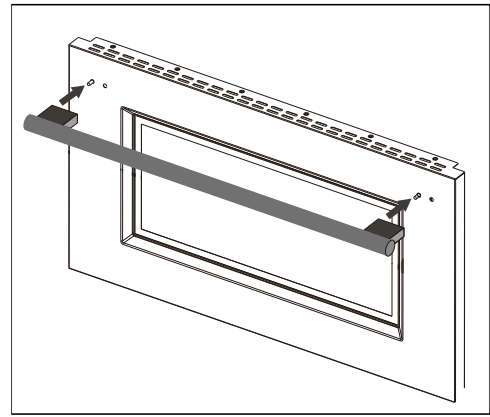
	Feature Index
1	Oven Vents
2	Cooktop Burner Grates
3	Griddle (on some models)
4	Magic Eyes (on some models)
5	Control Panel
6	Oven Lights
7	Convention Fan
8	Oven/Broil Burner
9	Kick Panel
10	Leveling System
11	Wok Support

Installation Instructions

Door Handle Installation

The door handle is not preinstalled. Find it in the front side of the whole package. Follow the illustrations below to install the door handle quickly and easily.

▲WARNING Keep the square rubber mat of the handle mount to avoid scratching the oven door until this side is ready to be installed.

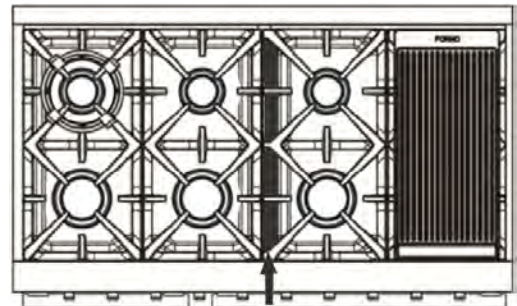


1. Remove the round black rubber mat from the inside door, and the square rubber mat on the handle mount.
2. Insert the screwdriver to the hole, and remove the screw nut from outside.
3. Install the handle with the exposed screw.
4. Repeat for the other side as step 1 to 3.
5. Put the round black rubber mats back to cover the two holes on the inside door.

Cooktop Burner Grates Installation

Remove the packing materials from the cooktop burner grates. Place the burner grates to the right position. Pay attention to the middle right grates as illustrated, as the thicker side should be in the left.

Put the griddle (only for FFSGS6239-48) and the wok support to the burner(s) you like to cook.



Oven Racks Installation



Installation

Hang the rack to the side rails and push in slowly



Disassemble

Lift the rack up and pull out slowly until free of the side rails.

Electrical

Your range must be electrically grounded in accordance with local codes or, in the absence of local codes, in accordance with the National Electrical Code (ANSI/NFPA 70, latest edition). In Canada, electrical grounding must be in accordance with the current CSA C22.1 Canadian Electrical Code Part 1 and/or local codes.

The power supply must be the correct polarity. Reverse polarity will result in continuous sparking of the electrodes, even after flame ignition. If there is any doubt as to whether the power supply has the correct polarity or grounded, have it checked by a qualified electrician.

ELECTRICAL REQUIREMENTS

<u>Electrical Supply</u>	<u>Grounded, 110/120 VAC, 60 Hz</u>
<u>Service</u>	<u>15 amp or 20 amp dedicated circuit</u>
<u>Receptacle</u>	<u>3-prong grounding-type</u>
<u>Power Cord</u>	<u>6' (1.8 m)</u>

▲WARNING

Electrical Grounding Instructions: this cooking range is equipped with a three-prong (grounding) plug for your protection against shock hazard and should be plugged directly into a properly grounded three-pronged receptacle.

Do Not cut or removes the grounding prong from the plug.

▲CAUTION Label all wires prior to disconnection when servicing controls. Wiring errors can cause improper and dangerous operation. Verify proper operation after servicing.

Grounding

The power cord is equipped with a three-prong (grounding) plug which mates with a standard three-prong grounding wall receptacle to minimize the possibility of electrical shock hazard from the range.

All cord connected appliance shall include instructions relative to location of the wall receptacle and a warning to the user to disconnect the electrical supply before serving the appliance.

Where a standard two-prong wall receptacle is encountered, it is the responsibility and obligation of the customer to have it replaced with a properly grounded three-prong wall receptacle. Do not cut or remove the grounding prong from the power cord.

Gas Supply

Installation must comply with local codes or, in the absence of local codes, with the National Fuel Gas Code, ANSI Z223.1 / NFPA 54. In Canada, installation must conform to the current natural Gas Installation /code, CAN 1-1.1-M81 and with local codes where applicable.

This range has been design-certified according to ANSI Z21.1b-2012 latest edition.

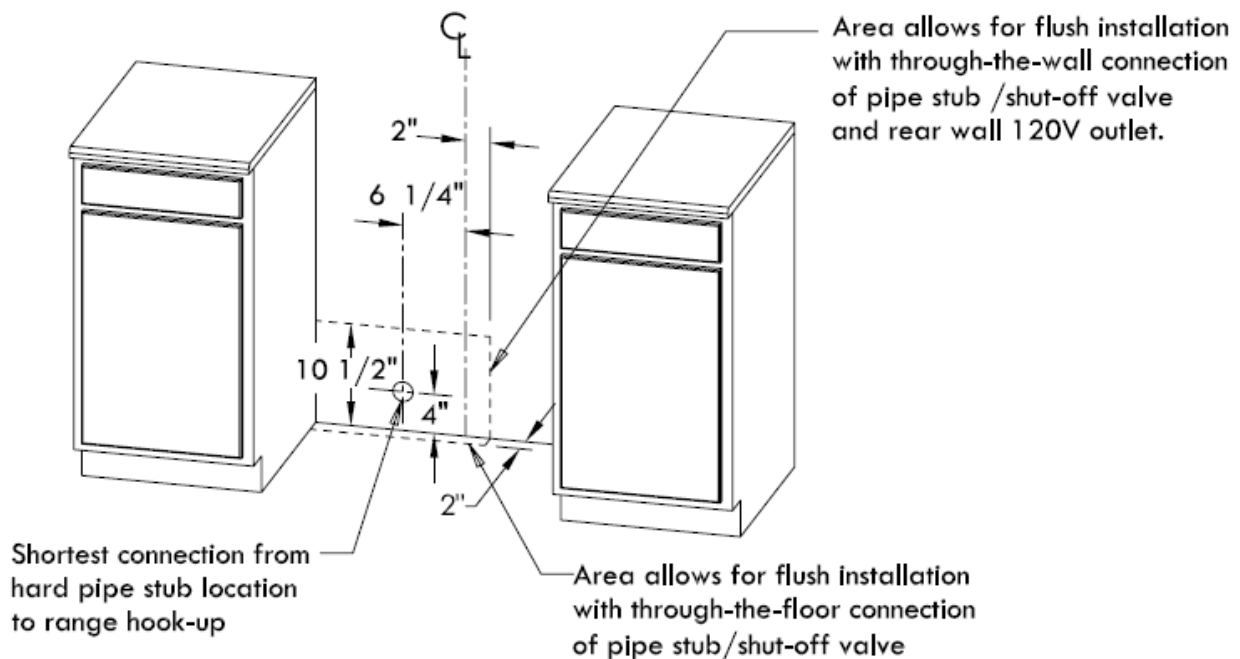
GAS REQUIREMENTS

NATURAL GAS		WC
Supply Pressure		5" (12.5 mb)
Minimum Supply Pressure		6"
Max Regulator Pressure	14" (34.9 mb), 0.5 psi (3.5 kPa)	
LP GAS		WC
Supply Pressure		10" (25 mb)
Minimum Supply Pressure		11"
Max Regulator Pressure	14" (34.9 mb), 0.5 psi (3.5 kPa)	

▲WARNING Do not obstruct the flow of combustion air into the range and ventilation air away from the range.

Ventilation: it is recommended that the unit be operated with an oven head, vented exhaust hood of sufficient size and capacity.

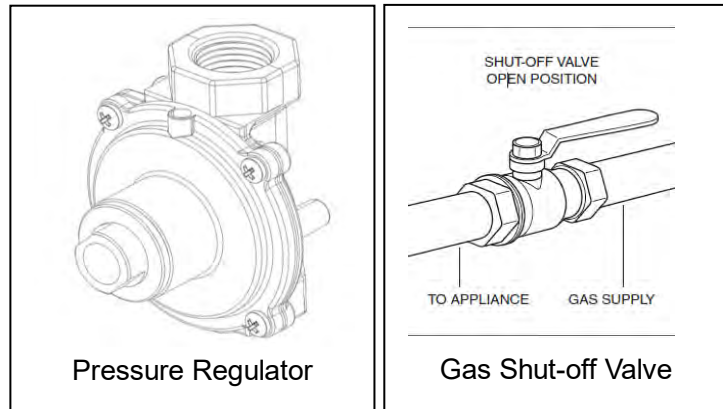
Electric Power Supply Requirements



Pressure Regulator

Since service pressure may fluctuate with local demand, every gas cooking range must be equipped with a pressure regulator on the incoming service line for safe and efficient operation. The pressure regulator shipped with the range has two female threads 3/4" NPT. The regulator shall be installed properly in order to be accessible when the appliance is installed in its final position.

Pressure regulator can withstand a maximum input pressure of 0.5 psi (3.5 kPa), and is set at 5" wc out let pressure.



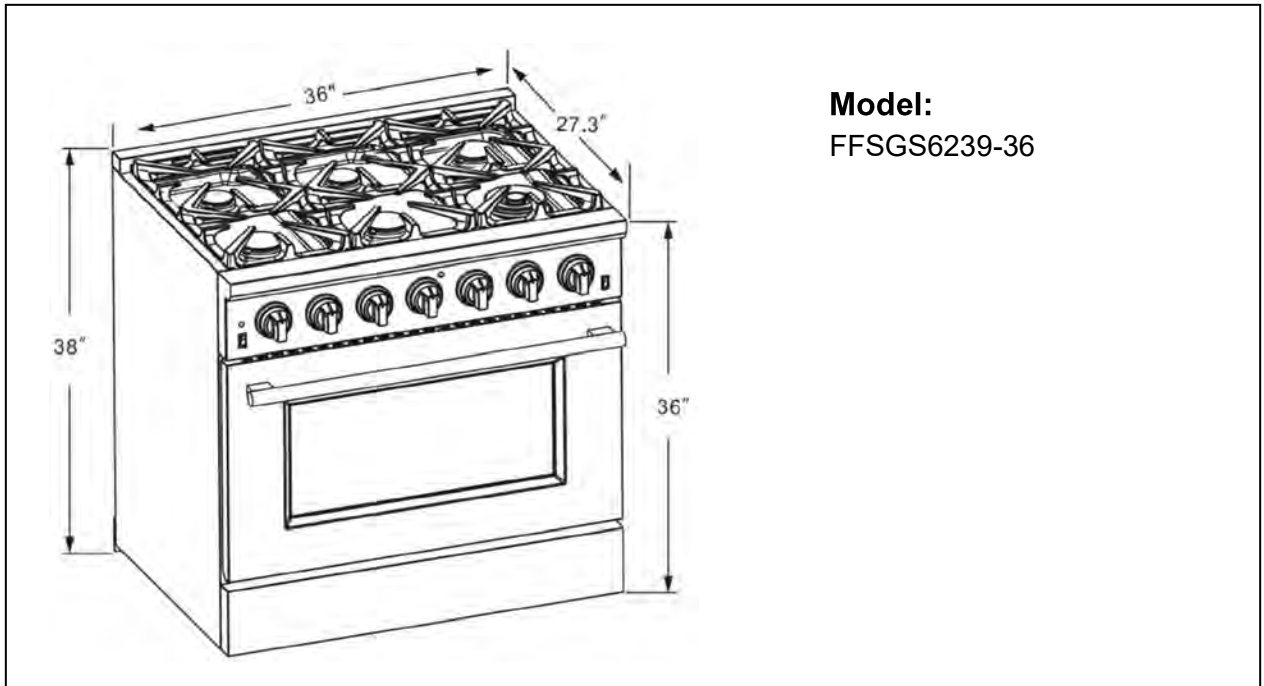
Gas Shut-off Valve

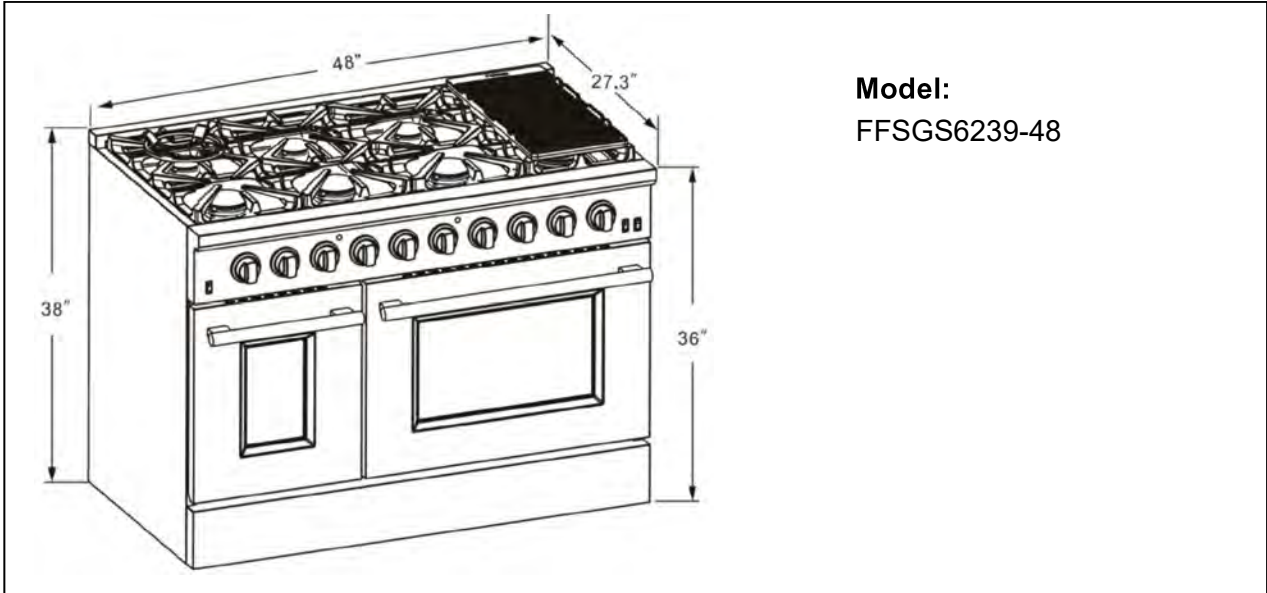
The supply line must be equipped with an approved external gas shut-off valve located near the range in an accessible location. Do not block access to the shut-off valve. Refer to the illustration below.

A 3/4" (19) ID gas supply line must be provided to the range. If local codes permit, a certified, 3' (.9 m) long, 1/2" (13) or 3/4" (19) ID flexible metal appliance connector is recommended to connect the unit's 1/2" NPT female inlet to the gas supply line. Pipe joint compounds suitable for use with natural or LP gas should be used.

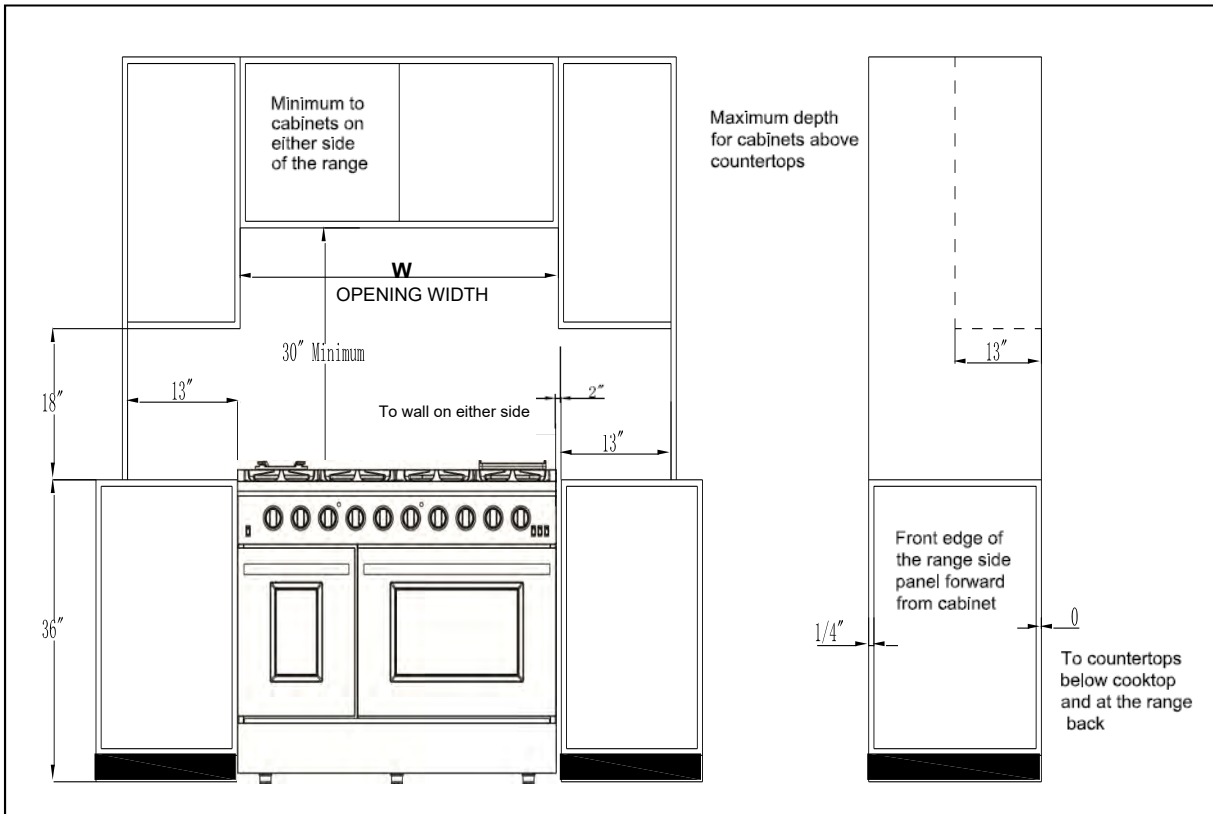
The appliance and its shut-off valve must be disconnected from the gas supply piping system during any pressure testing of the system at test pressures in excess of 0.5 psi (3.5 kPa). The appliance must be isolated from the gas supply piping system by closing its individual manual shutoff valve during any pressure testing of the system at test pressures equal to or less than 0.5 psi (3.5 kPa).

Product Dimensions and Cabinets





This range may be installed directly adjacent to existing countertop-height cabinets (36" or 91.5 cm from the floor). To achieve the best look, the cooktop should be level with the cabinet countertop. This can be accomplished by raising the unit using the adjustment spindles on the legs.



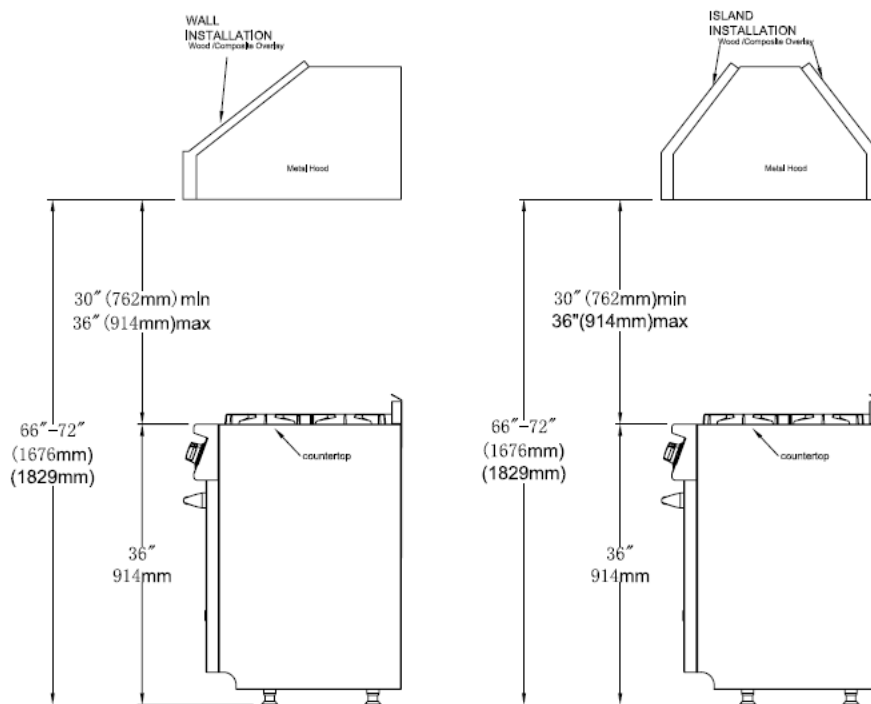
OPENING WIDTH	W
30" Model	30" (762)
36" Model	36" (914)
48" Model	48" (1219)

Exhaust Hood Installation

The bottom of the hood should be 30" min. to 36" above the countertop. This would typically result in the bottom of the hood being 66" to 72" above the floor. These dimensions provide safe and efficient operation of the hood.

After Installation:

1. Check ignition of cooktop burners.
2. Check the air shutter adjustment – sharp blue flame, with no yellow tipping or lifting flames.
3. Check ignition of oven burner.
4. Visually check tubular burner (oven burner) re-ignition to be sure both rows of burner ports are relighting each time.
5. Check for gas leaks at all gas connections (using a gas detector, never a flame).
6. Check oven bake and convection bake function.



Gas Conversion Operation

This cooking range can be used with LP gas and NG gas. It is shipped from the factory adjusted for use with NG(Nature Gas). Conversion nozzles are included. Follow the instruction shown below for gas conversion.

⚠ WARNING Gas conversion shall be conducted by a factory- trained professional.Call the customer service hotline to identify a factory-trained professional near your home.

⚠ WARNING Before carrying out this operation, disconnect the range from gas and electricity.

The gas conversion procedure for this range includes 8 steps:

1. Pressure regulator
2. Cooktop burners
3. Oven burner
4. Broil burner
5. Gas valves
6. Reconnect Gas and Electrical Supply
7. Air shutter oven burner
8. Installation of new rating label

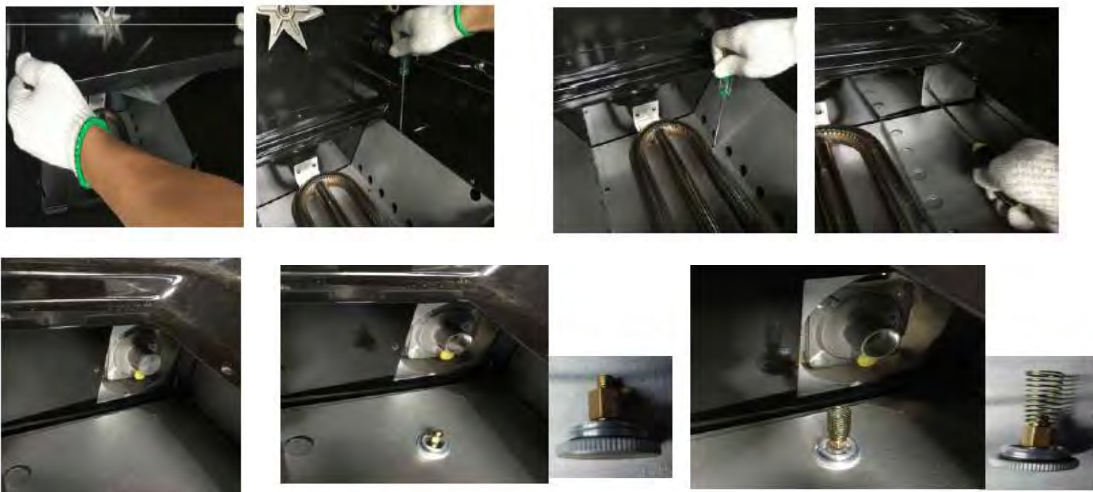
The conversion is not completed if all 8 steps have not been concluded properly. Before performing the gas conversion, locate the package containing the replacement nozzles shipped with every range.

STEP 1: Pressure Regulator

To access the gas regulator, pull the range away from the cabinet wall. The gas regulator is located at the bottom right corner of the range.

⚠WARNING Electrical shock hazard can occur and result in injury or death. Disconnect electrical power to the range before servicing. Do not remove regulator or allow it to turn during servicing.

- a. Unscrew the cap from the regulator. Do not remove the spring from the regulator.
- b. Unscrew the insert from the cap and turn it over so the longer stem is facing the cap. Replace insert on the cap. Replace the cap on the regulator.

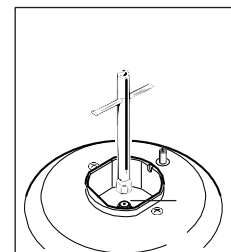


Position for NG

Position for LP

STEP 2: Cooktop Burners

- a. Remove cooking grates, burner caps and inner burner rings.
- b. Lift off outer burner heads and burner bases.
- c. Remove the factory installed natural gas nozzles from the center of the nozzle holders using a 7mm socket wrench. Replace the LP nozzle in each nozzle holder. Tighten each nozzle until snug. Use caution not to over tighten.



Socket Wrench

⚠CAUTION Care should be taken when removing and replacing gas components. Use proper support to prevent damage to components.

IMPORTANT: Each nozzle has a number indicating its flow diameter printed on the body. Consult the table below for matching nozzles and burners.

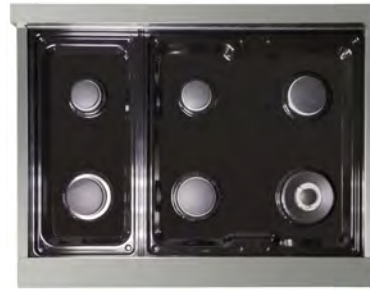
NG 1.33 1.38*2+0.75 1.33
 LPG 0.93 0.9*2+0.46 0.93



NG 1.75 1.75
 LPG 1.18 1.18

Model:FFSGS6239-30

NG 1.33 1.33 1.75
 LPG 0.93 0.93 1.18



NG 1.75 1.75 1.38*2+0.75
 LPG 1.18 1.18 0.9*2+0.46

Model:FFSGS6239-36

NG 1.33 1.33 1.33 1.75
 LPG 0.93 0.93 0.93 1.18



NG 1.75 1.75 1.75 1.38*2+0.75
 LPG 1.18 1.18 1.18 0.9*2+0.46

Model:FFSGS6239-48

IMPORTANT: Save the nozzles removed from the range for future use.

STEP 3: Oven Burner

a. Remove 3 screws between the kick panel and the oven door . Hold the toe kick panel on both ends and slowly pull away towards the front.

b. Remove 2 screws which holding the nozzle bracket and locate the nozzle.

Replace with oven burner nozzle, size 1.32mm and tighten. Replace the nozzle bracket, aligning the new nozzle into the air shutter of the oven burner.

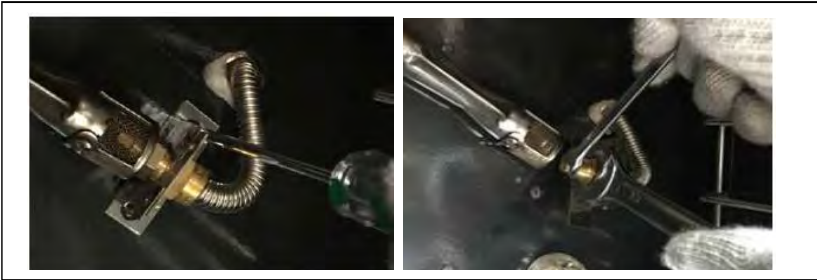
Repeat upon steps for 18"oven (48" ranges only).



		Model:FFSGS6239-30	Model:FFSGS6239-36	Model:FFSGS6239-48
Oven	NG	2.2	2.2	2.2
	LPG	1.39	1.39	1.39
18" Oven	NG			1.7
	LPG			1.12

STEP 4: Broil Burner

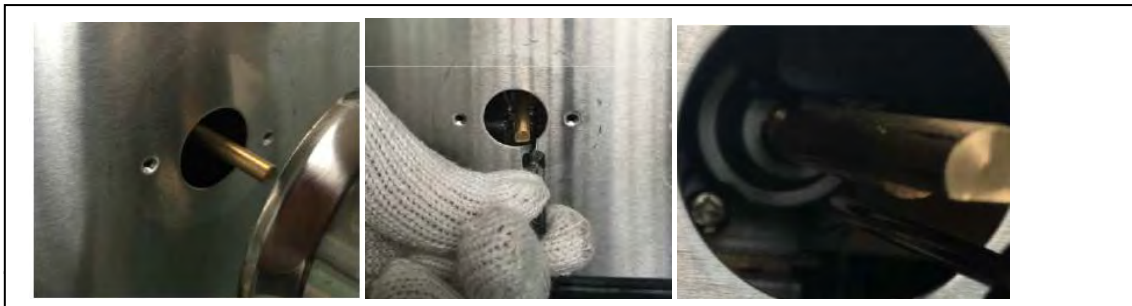
- a. Remove 2 screws which fixing the nozzle bracket and locate the nozzle.
- b. Using a 5/8" or 19mm open wrench, remove the gas line from the nozzle holder. Using a 1/2" open wrench, remove the nozzle from the orifice holder. Replace with 0.94 mm oven broiler nozzle.



		Model:FFSGS6239-30	Model:FFSGS6239-36	Model:FFSGS6239-48
Broil	NG	1.38	1.38	1.38
	LPG	0.94	0.94	0.94

STEP 5: Gas Valve

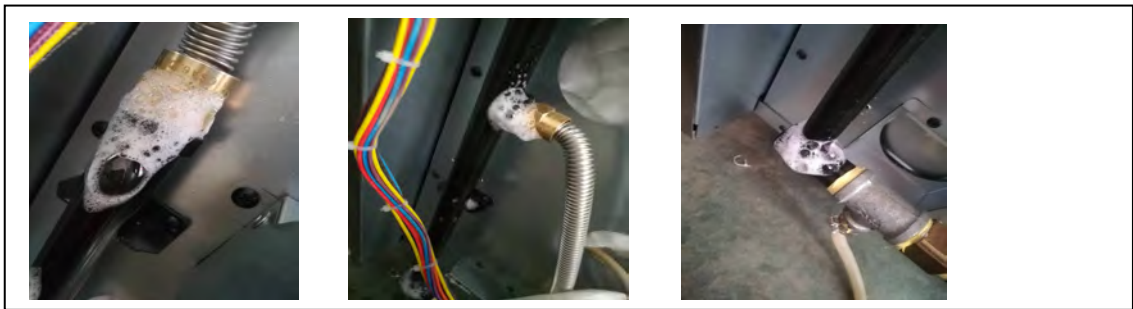
- a. Remove control knobs.
- b. Using a flat screwdriver, adjust main burner bypass jets toward to 1/4 circle for LP until the flame is normal.



STEP 6: Reconnect Gas and Electrical Supply

Leak testing of the range shall be conducted according to the installation instructions provided with the range.

Before operating the range after the gas conversion, always check for leaks with a soapy water solution or other acceptable method in at gas connections installed between the gas inlet pipe of the range, gas regulator, and the manual shut-off valve.



▲WARNING DO NOT use a flame to check for gas leaks!

STEP 7: Air Shutter Oven Burner (no necessary)

The air shutter for the oven burner may need adjustment, especially if the unit has been converted for use with LP. The approximate flame height at the oven burner is one inch (distinctive inner blue flame).

To determine if the oven burner flame is acceptable:

- a. With the kick plate removed, set the oven to bake at 350° F and observe the flame. If the flame yellow in color, increase the air shutter opening size. If the flame is blue and lifting away from the burner, reduce the air shutter opening size.
- b. Turn off the oven and allow it to cool before adjusting the air shutter. To adjust, loosen the lock screw, reposition the air shutter and tighten the lock screw. Retest the burner by repeating the steps above. When the burner flame is a distinct blue colour and burning steadily, the air shutter is adjusted correctly.

STEP 8: Installation of New Rating Label

Record the model and serial number on the LP / Propane Rating serial plate provided in this kit. The information can be obtained from the existing Rating / Serial plate. Place the new plate as close as possible to the existing Rating / Serial plate on the range.

Preparation

Before moving the range, protect any finished flooring and secure oven door(s) closed to prevent damage.

The oven door(s) can be removed to lighten the load or to fit the unit through a doorway. Only remove if necessary. Do not remove the griddle or any other component. Door removal should only be done by a certified installer or service technician.

Placement

Do not lift or carry the oven door by the door handle. The range has rear casters which allow for easy movement by lifting the front of the unit.

Use an appliance dolly to move the range near the opening. Remove and recycle packing materials. Do not discard the anti-tip bracket supplied with the range.

Leveling

Raise the range to the desired height by adjusting the legs. The legs can be adjusted by rotating the hexagonal leg clockwise to raise and counter clockwise to lower.

Anti-Tip Bracket

To prevent the range from tipping forward, the anti-tip bracket must be installed. Refer to the illustration on page 5.

Gas Supply Connection

All connections to the gas piping must be wrench-tightened. Do not overtighten or allow pipes to turn when tightening.

When all connections have been made, check that all range controls are in the "OFF" position and turn on the main gas supply valve.

If a flexible metal connector is being used, verify it is not kinked, then attach the gas supply line to the regulator on the range. Open the valve and check for leaks by placing a liquid detergent solution onto all gas connections. Bubbles around connections indicate a gas leak. If a leak appears, close the shut-off valve and adjust connections.

Leak testing of the appliance shall be conducted according to the manufacture's instructions .Use some soap water (50% water and 50% soap) or a leak detector at all joints and connections to check for leaks in the system. Do not use a flame to check for gas leaks.

The appliance must be isolated from the building's gas supply piping system by closing its individual manual shut-off valve during any pressure testing of the gas supply piping system at test pressure equal to or less than 0.5 psi (3.5kPa).

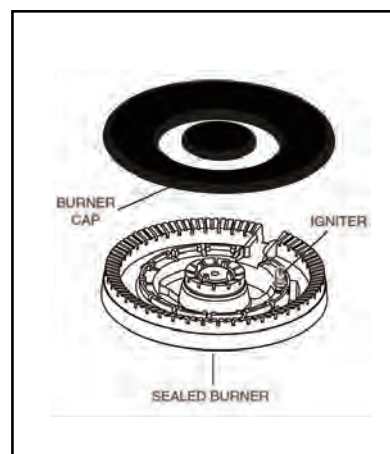
Getting Started

Before you start cooking, please take the following steps.

- Remove the exterior and interior packing.
- Remove the protective film on steel and aluminum parts.
- Clean the range thoroughly with hot water and a mild detergent. Rinse and dry with a soft cloth to remove any residual oil and grease left over from the manufacturing process.
- Check that surface burner components are assembled correctly.
- Furnish the interior of the oven by inserting the shelves and tray.

Cooktop Operation

The burner design combines all burner parts in one assembly. The burner cap must be seated flatly on the burner. Refer to the illustration below.



Ignition

To light the cooktop burners, push and turn the appropriate control knob counter clockwise to a “Hi” position. You will hear a clicking noise –the sound of the electric spark igniting the burner.

Once burner ignition has been achieved, turn the burner control knob to adjust the flame size. If the knob stays at “Hi”, it will continue to click.

NOTE: When one burner is turned to the “Hi” position, all the burners will spark. Do not attempt to disassemble or clean around any burner while another burner is on. Do not touch any burner cap, burner base, or igniter while the igniters are sparking.

Heat Settings:

Hi	Ignites the burners.
Simmer	Melting small quantities, steaming rice, warming food, melting chocolate or butter.
Low	Melting large quantities.
Low-Medium	Low-temperature frying, simmering large quantities, heating milk, cream sauces, gravies.
Medium	Sautéing and browning, braising, pan-frying, maintaining slow boil on large quantities.
Medium-Hi	High-temperature frying, pan boiling, maintaining slow boil on large quantities.
Hi	Boiling liquid quickly, deep frying.

⚠ CAUTION Never leave pans on a high setting unattended. Be careful when cooking food in fat or grease; it can become hot enough to ignite.

Simmer and Boil

A smaller flame will give the best results when simmering. Small flames offer precise cooking performance for delicate foods, keeping food warm, melting chocolate or butter, and for cooking over low heat for long period of time.

The highest (larger) flame settings provide the maximum heat that is available on your range. This setting should be used for heavy cooking jobs such as boiling water and cooking pastas.

Flame Size

- When you select the flame size, watch the flame when you turn the knob.
- Any flame larger than the bottom of the cookware is wasted.
- The flame should be steady and blue in color. Foreign material in the gas line may cause an orange flame during initial operation.

Power Failure

- If the gas does not ignite within four seconds, turn off the valve and allow at least five minutes for any gas to dissipate. Repeat the lighting procedure.
- In the event of a power failure, the surface burners can be lighted manually. Hold a lighted match near a burner and turn the knob counter-clockwise to “HI”. After burner lights, turn knob to the desired setting.

Burner Grates

1. The grates must be properly positioned before cooking. Improper installation of the grates may result in scratching of the cooktop and / or poor combustion.
2. Do not operate the burners without a pan or utensil on the grates.

Griddle Operation (Only available on the 48" models)

Before Using the Griddle

1. Clean the griddle thoroughly with warm, soapy water to remove dust or any protective coating.
2. Rinse with clean water and wipe off to dry with soft, clean, lint-free towel/cloth.

Use of the Griddle

1. Place the griddle to the position you need to cook.
2. Preheat the griddle for 10-12 minutes.
3. Butter or cooking oil can be added for more flavor, then place the food to cook.

CAUTION The surface of the griddle is hot after use. Please allow sufficient time for the griddle to cool prior to cleaning.

Cooktop Cleaning Tips

- To prevent the cooktop from discoloring or staining, clean cooktop after each use, and wipe up acidic or sugary spills as soon as the cooktop has cooled.
- The sealed burners of your range are not secured to the cooktop and are designed to be removed. Boil overs or spills will not seep underneath the cooktop. The burners should be cleaned after each use.

Oven Light

The oven light is controlled by a push switch on the control panel.
The light can be used while cooking or cleaning the oven.

WARNING Check that power is disconnected from the electrical box before replacing the light bulb. Allow the oven to cool completely, then unscrew the light cover and remove the light bulb by unscrewing it from the socket. Replace with a 40-watt halogen bulb.

Magic eyes

The red Magic Eyes will turn on automatic when the room becomes dark.

Oven Operation

Oven Baking Tips

1. Never cover any slots, holes or passages in the oven bottom or cover an entire rack with materials such as aluminum foil. Doing so blocks air flow through the oven and may cause carbon monoxide poisoning. The aluminum foil lining may also trap heat, causing a fire hazard. Do not use aluminum foil on any porcelain surface. Doing so will damage the porcelain and affect its durability.
2. Position the racks before preheating the oven.
3. Reduce the oven temperature 57.2°F (14°C) when cooking in heat-proof glass or glass ceramic dishes.

Preheating

Allow the oven to preheat before placing food in the oven. Preheating is necessary for good results when baking cakes, cookies, pastry and breads.

Remove the broiler pan before preheating with the infrared broiler. Foods will stick on hot metal. To preheat, turn the “Oven” selector knob to the “Broil” position. Wait for the burner to become hot, approximately 2 minutes.

Note: Condensation or fogging on the inside of the oven door glass is normal while preheating and it will usually evaporate by the end of the preheating cycle.

Oven Function

Natural Airflow Bake occurs when heat is transferred into the oven from the bake burners in the bottom of the oven cavity. Heat is then circulated by natural airflow. This is a traditional bake setting.

Convection Bake

Heat is transferred from the bake burners in the bottom of the oven cavity to the oven cavity itself. The convection fan at the rear of the oven then circulates it. This convection process provides a more even heat distribution throughout the oven cavity.

Using multiple racks is possible for large-batch baking. Convection cooking is faster, can be done at lower temperatures and provides more even temperatures than regular cooking.

Convection Roast

The convection fan circulates the heated air evenly over and around the food. Using the cover and broiler pan provided, heated air will be circulated over the around the food being roasted. The heated air seals in juices quickly for a moist and tender product, while at the same time creating a rich golden brown exterior. When convection roasting, it is important that you use the broiler pan for best convection roasting results. The pan is used to catch grease spills and has a cover to prevent grease splatters.

Convection Defrost

With temperature control off, the motorized fan in the rear of the oven circulates air. The fan accelerates natural defrosting of the food without heat. To avoid illness and food waste, do not allow defrost food to remain in the oven for more than two hours without being cooked.

Convection Dehydrate

With the temperature control on 175°F, warm air is radiated from the bake burners in the bottom of the oven cavity and is circulated by a motorized fan in the rear of the oven. Over a period of time, the water is removed from the food by evaporation. Removal of water inhibits growth of microorganisms and retards the activity of enzymes.

Broiler Operation

Note: Door must be closed during broiling operation.

The broil burner is located at the top of the oven. This burner heats the metal screen until it glows. The glowing screen produces heat, searing the outside of broiled foods and sealing in juices. Broiling is a method of cooking tender cuts of meat directly under the broiler in the oven.

Oven broiling is done with the oven door closed. It is normal and even necessary to have some smoke to give the food a broiled flavor.

Setting Broil

The “Oven” selector knob controls the Broil feature. When broiling, heat radiates downward from the oven broiler for even coverage. The Broil feature temperature is 500°F (260°C).

Used together, the broil pan and insert allow dripping grease to drain and be kept away from the high heat of the oven broiler. DO NOT use the broil pan without the insert. DO NOT cover the broil pan insert with foil. The exposed grease could catch fire. To set the oven to Broil:

1. Place the broiler pan insert on the broiler pan. Then place the food on the broiler pan insert.
2. Arrange the interior oven rack and place the broiler pan on the rack. Be sure to center the broiler pan and position it directly under the broil burner. If preheating the broil burner first, position the broiler pan after the broil burner is preheated.
3. Turn the selector knob to Broil.

The oven indicator light will remain on until the selector knob is turned to the off position or the temperature control cycles off.

Position the rack at the correct level. The farther away the food is from the broiler, the more well done it will be inside. Preheating the oven is not necessary. Push in and turn the knob to BROIL. Turn the food over at the halfway point. Always pull the rack out to the “stop” position before turning or removing food.

Oven Cleaning Tips

1. After each use, and once cooled, clean splatters and spills immediately.
2. Do not allow foods with a high sugar or acid content to remain on the oven cavity surface.
3. Use an oven cleaner to clean the oven cavity.

Oven Thermostat & Cooking times

The numbers printed on the control panel indicate the increasing oven temperature value (°F). To regulate the temperature, set the desired number on the control knob indicator.

Note: The BROIL position is only to turn on the broil burner.

Cooking times can vary according to the type of food, its density and its size. It is advisable to watch when cooking for the first time and to check results since similar results are obtained when preparing the same dishes under the same conditions.


Use the thermostat to control the temperatures, and control the time according to the cooking guides.

Care and Cleaning Recommendations

Stainless steel	Use a non-abrasive stainless steel cleaner and apply with a soft lint-free cloth. To bring out the natural luster, lightly wipe surface with a water-dampened microfiber cloth followed by a dry polishing cloth. Always follow the grain of stainless steel.
Burner grates Oven rack guides	Remove and place on a flat surface near the sink. Clean with hot water and mild detergent or paste of baking soda and water. Do not immerse in water. Towel dry.
Burner pan	Remove surface debris before cleaning to help speed up the cleaning process and decrease the chance of scratching the surface during cleaning. Using mild abrasive cleaners or spray degreasers, clean and rinse the surface and dry immediately to avoid streaking. To clean hard water stains, use white vinegar and water. Rinse and dry immediately.
Surface burners	Allow to cool. Use mild detergent or spray degreaser to clean. Rinse with water and towel dry.
Control knobs	Using a damp cloth, wipe with a mild detergent or spray degreaser; rinse and dry. Do not place in dishwasher.
Oven interior	Use mild abrasive cleaners, spray degreasers. Use a razor blade to gently lift baked on foods from oven cavity and window. For stubborn stains, spray with a mild abrasive cleaner or spray degreaser. Wash the entire oven cavity with soap and water to remove all cleaning chemicals.
Broiler pan	To clean the upper rack, use mild detergent and a scouring pad. Rinse and dry. To clean the bottom pan, discard grease and wash with hot water and mild detergent. Rinse and dry. The stainless steel upper rack is dishwasher safe. However, do not place the porcelain-coated rack or pan in dishwasher.

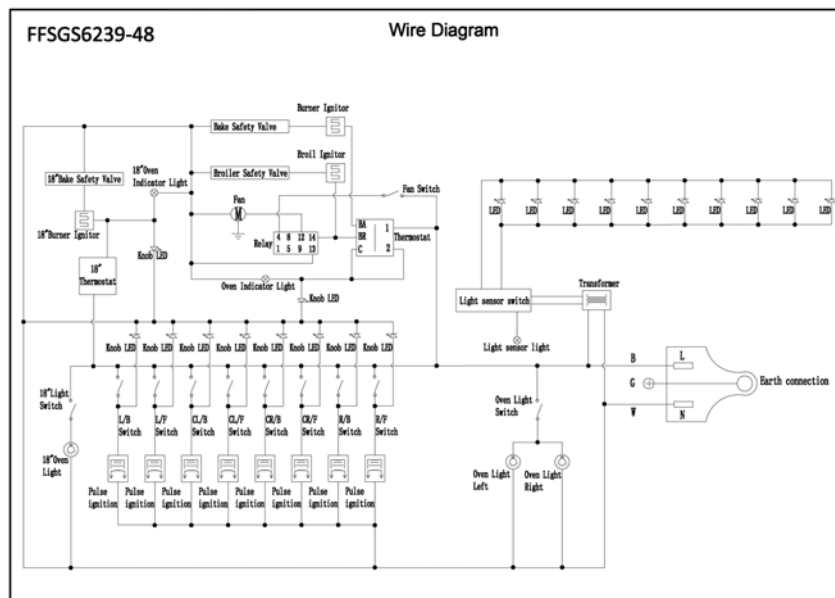
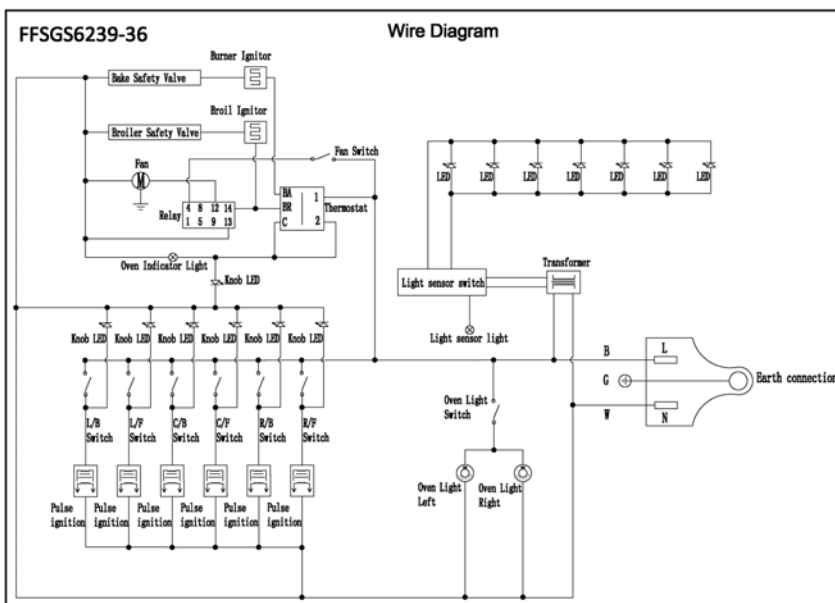
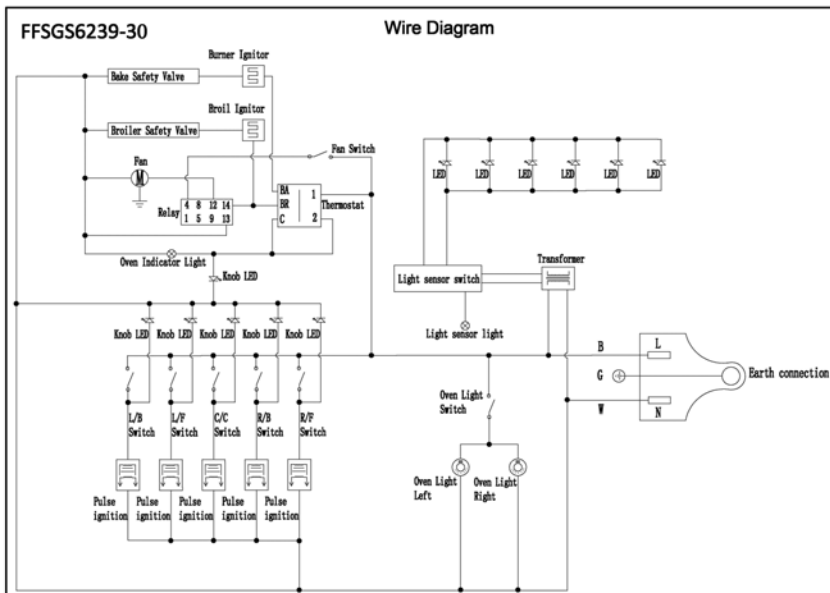
Troubleshooting Tips

Before you call for service

Range does not operate	Check that power is on. Check that electrical power to range and home circuit breaker is on.
Burners Do Not Light Or Spark Randomly	Electrical plug is not plugged into a live power outlet. Gas supply not turned on. Burner parts not replaced correctly. Holes in the simmer rings or slits in the burner rings are clogged. Clogged nozzles, or wet burners or electrodes. A fuse in your home may be blown or circuit breaker tripped.
Burners Have Yellow Or Yellow-Tipped Flames	Burner parts not replaced correctly. A. Yellow flames: Call for service. B. Yellow tips on outer cones: Normal for propane (LP) gas. C. Soft blue flames: Normal for natural gas.  If burner flames look like (A), call for service. Normal burner flames should look like (B) or (C), depending on the type of gas.
Burner Flames Very Large Or Yellow	The range may be connected to the wrong fuel type. Contact the person who installed your range or made the conversion.
Burner Flames Contain Orange Flickers	Airborne dust; cool-mist humidifier; debris on or inside burner.
Oven Lights Do Not Work	The light bulb is defective. Replace the bulb.
Oven Racks Are Hard To Slide	Do not spray with a cooking spray or other lubricant sprays. See Full extension oven racks in the Care and Cleaning section.
Food Does Not Bake Or Roast Properly	The oven controls are improperly set. See the Baking or Roasting section. Oven not preheated for a long enough time.

	<p>Incorrect cookware or cookware of improper size being used.</p> <p>Racks in the wrong position. See the Baking or Roasting section.</p> <p>Use a foil tent to slow down browning during roasting.</p> <p>Oven thermostat needs adjustment. See the Oven thermostat adjustment section.</p>
Food Does Not Broil Properly	<p>This model is designed for closed door broiling only. Close the door. Always broil with the door closed.</p> <p>The oven controls are not set at BROIL. See the Broiling section.</p> <p>Improper rack position.</p> <p>Cookware is not suited for broiling. Use the broiling pan and rack that came with your oven.</p> <p>Aluminum foil used on the broiling pan and rack has not been fitted properly and slit as recommended.</p>
Oven Temperature Too Hot Or Too Cold	Oven thermostat needs adjustment. See the Oven thermostat adjustment section.
Steam From The Vent	When using the convection mode, it is normal to see steam coming out of the oven vent. As the number of racks or amount of food being cooked increases, the amount of visible steam will increase.
Burning Or Oily Odor Emitting From The Vent	This is normal in a new oven and will disappear in time.
Strong Odor	This is temporary. An odour caused by the insulation around the inside of the oven is normal for the first few times the oven is used.
Convection Fan Not On All The Time	<p>The convection fan (depending on the function you are using) may cycle on and off until the function is over or the door is opened for optimized performance.</p> <p>This is normal. In addition, the convection fan may cycle in the clockwise and counter clockwise direction until the function is over or the door is opened.</p>
Condensation Or Fogging On The Inside of the Door Glass	Condensation or fogging on the inside of the oven door glass is normal during the preheating of the oven and will evaporate usually by the end of the preheating cycle.
Cracking Or Popping Sound During Cleaning	This is normal. This is the sound of the metal heating and cooling during both the cooking and cleaning functions.
Excessive Smoking Occurs During Cleaning	The oven is heavily soiled. Turn the Oven Mode Selector and the Temperature knobs to OFF. Open the windows to rid the room of smoke. Wait until the locked door indicator light goes off. Wipe up excess soil and do the cleaning again.

Wire Diagram





CUISINIÈRE À GAZ

**GUIDE D'INSTALLATION
SPÉCIFICATIONS, INSTALLATION ET PLUS**



NUMÉROS DE MODÈLE



FFSGS6239-30



FFSGS6239-36



FFSGS6239-48

Contenu	
Service à la clientèle	3
Information pour le client	4
Consignes de sécurité	6
Fonctionnalités de votre cuisinière	10
Consignes d'installation	11
Installation de la poignée de porte	
Installation des grilles du brûleur de la table de cuisson	11
Electricité	11
Alimentation en gaz	12
Régulateur de pression	13
Vanne d'arrêt de gaz	13
Dimensions du produit et des armoires	14
Installation de la hotte d'aspiration	16
Opération de conversion de gaz	16
Connexion à l'alimentation en gaz	21
Fonctionnement de la table de cuisson	22
Allumage	
Mijoter et bouillir	22
Grilles de brûleur	23
Fonctionnement de la grille chauffante	23
Conseils de nettoyage de la table de cuisson	23
Lumière du four	23
Yeux magiques	23
Fonctionnement de la cuisson au four	24
Préchauffage	
Cuisson par convection	24
Rôtissage par convection	24
Fonctionnement du grillage	25
Réglage du grillage	
Conseils de nettoyage du four	25
Thermostat du four et temps de cuisson	25
Recommandation d'entretien et de nettoyage	26
Conseils de dépannage	27
Diagrammes de câblage	29

Service à la clientèle

Merci d'avoir acheté une cuisinière FORNO. Avant d'utiliser votre nouvel appareil pour la première fois, veuillez lire l'intégralité du guide d'utilisation. Que vous soyez occasionnellement cuisinier ou chef professionnel, il sera utile de vous familiariser avec les consignes de sécurité, les fonctionnalités, le fonctionnement et les recommandations d'entretien de votre cuisinière.

Le numéro de modèle et le numéro de série sont indiqués dans le panneau avant du produit. Pour les besoins de la garantie, vous aurez également besoin de la date d'achat.

Notez ces informations ci-dessous pour référence ultérieure.

RENSEIGNEMENTS SUR LE SERVICE

Numéro de modèle

Numéro de série

Date d'achat

Adresse et téléphone
d'achat

Dans toute correspondance ou appel de service concernant votre cuisinière, utilisez ces numéros.

Si vous avez reçu une cuisinière endommagée, contactez immédiatement le revendeur (ou le fabricant) qui vous a vendu la cuisinière.

Gagnez du temps et de l'argent. Avant de faire appel à un technicien, consultez le Guide de dépannage. Il répertorie les causes de problèmes mineurs d'utilisation que vous pouvez corriger vous-même.

SERVICE À LA CLIENTÈLE AU CANADA:

Gardez le guide d'utilisation à portée de main pour qu'il réponde à vos questions. Si vous ne comprenez pas quelque chose ou si vous avez besoin d'aide, contactez notre service à la clientèle au: 1-800-561-7265

Ou par courriel : service@distinctive-online.com

SERVICE À LA CLIENTÈLE AU ÉTAS-UNIS:

Gardez le guide d'utilisation à portée de main pour qu'il réponde à vos questions. Si vous ne comprenez pas quelque chose ou si vous avez besoin d'aide, contactez notre service à la clientèle au: 1-866-231-8893

Ou par courriel : info@forno.ca

Si votre cuisinière nécessite un entretien, assurez-vous de faire appel à un fournisseur de service agréé par le fabricant FORNO, recommandé par notre centre de service à la clientèle. Nous assurons soigneusement la formation et la sélection de tous les prestataires de services certifiés par l'usine.

INFORMATION POUR LE CLIENT

Sécurité de la cuisinière

Votre sécurité et celle d'autres personnes sont très importantes.

De nombreux messages de sécurité importants ont été fournis dans ce guide et sur votre appareil. Lisez et obéissez à tous les messages de sécurité



Il s'agit d'un symbole d'alerte de sécurité qui vous avertira des dangers potentiels de sécurité des personnes ou des biens. Respectez tous les messages de sécurité pour éviter tout dommage matériel, blessure corporelle ou la mort.



AVERTISSEMENT

L'AVERTISSEMENT indique une situation potentiellement dangereuse qui, si elle n'est pas évitée, pourrait causer des blessures graves ou mortelles.



MISE EN GARDE

LA MISE EN GARDE indique une situation de danger modéré qui, si elle n'est pas évitée, pourrait entraîner des blessures mineures ou modérées.

Tous les messages de sécurité vous alerteront du danger potentiel et le moyen de réduire les risques de blessure et vous indiqueront ce qui peut se produire si les consignes ne sont pas suivies.



AVERTISSEMENT

Si les informations contenues dans ce guide ne sont pas suivies à la lettre, un incendie ou une explosion peuvent se produire et causer des dommages matériels, des blessures graves même mortelles.

N'entrez pas et n'utilisez pas d'essence ou d'autres vapeurs et liquides inflammables près de cet appareil ou de tout autre appareil.

-QUE DEVEZ- VOUS FAIRE SI VOUS SENTEZ UNE ODEUR DE GAZ

- N'essayez pas d'activer un appareil quel qu'il soit.
- Ne touchez à aucun interrupteur électrique.
- N'utilisez aucun téléphone se trouvant dans votre immeuble.
- Appelez immédiatement votre fournisseur de gaz en utilisant le téléphone d'un voisin. Suivez les consignes du fournisseur de gaz
- Si vous ne pouvez pas accéder à votre fournisseur de gaz, appelez le service d'incendie.

L'installation et le service doivent être effectués par un installateur qualifié, un centre de service ou le fournisseur de gaz.

DISPOSITIF ANTI-BASCULEMENT



AVERTISSEMENT

Risque de basculement

Un enfant ou un adulte peut faire basculer la cuisinière et cela peut causer des blessures graves ou mortelles.

Installez le dispositif anti-basculement sur la cuisinière et/ou la structure conformément aux consignes d'installation.

Engagez la cuisinière sur le dispositif anti-basculement installé sur la structure.

Si la cuisinière est retirée, réengagez le dispositif anti-basculement.

Si ces précautions ne sont pas respectées, la mort ou les blessures graves et/ou des brûlures peuvent survenir chez les enfants et les adultes.

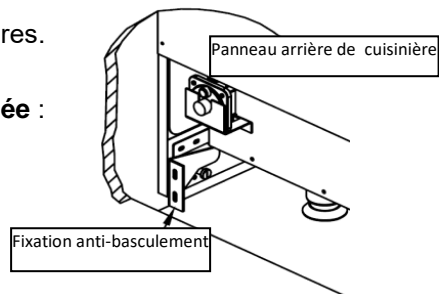
La cuisinière doit être sécurisée à l'aide d'un dispositif anti-basculement correctement installé et fourni avec la cuisinière afin de réduire son risque de basculement. Reportez-vous aux consignes d'installation fournies avec la fixation pour obtenir toutes les précisions avant de commencer l'installation.

Toutes les cuisinières peuvent basculer et causer des blessures.

Assurez-vous que la fixation anti-basculement est installée :

Faites glisser la cuisinière vers l'avant.

Assurez-vous que la fixation anti-basculement est solidement fixée au mur derrière la cuisinière.



Provision 65 aux résidents de la Californie
Cancer et troubles liés à la reproduction
www.P65Warnings.ca.gov

INFORMATIONS DE SÉCURITÉ IMPORTANTES

LISEZ TOUTES LES INFORMATIONS AVANT L'UTILISATION DE L'APPAREIL



AVERTISSEMENT


Lisez toutes les consignes de sécurité avant l'utilisation du produit. Le non-respect de ces consignes peut causer un incendie, une décharge électrique, des blessures graves ou la mort.

CONSIGNES DE SÉCURITÉ GÉNÉRALES



AVERTISSEMENT

N'utilisez jamais cet unité comme appareil de chauffage pour réchauffer ou chauffer la pièce. Cela pourrait entraîner une intoxication au monoxyde de carbone et une surchauffe du four.

1. Utilisez cette cuisinière aux fins prévues et décrites dans ce guide d'utilisation.
2. Un installateur qualifié doit installer votre cuisinière avec une mise à la terre adéquate, conformément aux consignes d'installation fournies.
3. Tout ajustement ou entretien ne doit être effectué que par un installateur ou technicien qualifié pour cuisinière au gaz. N'essayez pas de faire vous-même la réparation ou le remplacement d'une pièce de votre cuisinière à moins que cela ne soit spécifiquement recommandé dans ce guide.
4. Votre cuisinière est expédiée de l'usine pour une utilisation avec le gaz naturel ou le gaz propane (PL). Elle peut être convertie pour une utilisation avec l'un ou l'autre. Ces réglages doivent être effectués par un technicien qualifié conformément aux consignes d'installation et aux codes locaux si cela est nécessaire. L'agence effectuant ce travail assume la responsabilité de la conversion.
5. Demandez à l'installateur de vous indiquer l'emplacement de la vanne d'arrêt du gaz de la cuisinière et le moyen de la fermer, si cela est nécessaire.
6. Branchez votre cuisinière à une prise de courant mise à la terre de 120 volts uniquement. Ne retirez pas la broche de terre ronde de la fiche. En cas de doute sur la mise à la terre du système électrique domestique, vous avez la responsabilité et l'obligation de disposer d'une prise non mise à la terre conformément au Code National de l'Electricité. N'utilisez pas de rallonge électrique avec cette cuisinière.
7. Avant d'effectuer tout entretien, débranchez la cuisinière ou l'alimentation électrique du panneau de distribution domestique en retirant le fusible ou en coupant le disjoncteur.
8. Assurez-vous que tout le matériel d'emballage est retiré de la cuisinière avant utilisation afin d'empêcher l'inflammation de ce matériel.
9. Évitez d'égratigner ou de heurter les panneaux en verre car cela risque de briser le verre. Ne cuisinez pas sur un produit au verre brisé. Une décharge électrique, un incendie ou des coupures peuvent se produire.
10. Ne laissez pas les enfants seuls ou sans surveillance dans une zone où cet appareil est utilisé. Ils ne devraient jamais être autorisés à grimper, s'asseoir ou se tenir debout sur une pièce quelconque de la cuisinière.
11.  MISE EN GARDE Ne rangez pas d'objets d'intérêt pour les enfants dans des armoires situées au-dessus d'un four. Les enfants qui montent dans le four pour atteindre ces objets pourraient être sérieusement blessés.
12. Ne bloquez jamais les événements de la cuisinière. Ils fournissent les entrées et les sorties d'air nécessaires au bon fonctionnement de la cuisinière avec une combustion adéquate. Les ouvertures d'aération sont situées à l'arrière de la table de cuisson, en haut et en bas de la portière du four et au bas de la cuisinière.
13. N'utilisez que des poignées sèches. Les poignées humides ou mouillées sur des surfaces chaudes peuvent causer des brûlures par la vapeur. Ne laissez pas les poignées toucher aux brûleurs de surface, à la grille du brûleur ou aux éléments chauffants du four. N'utilisez pas de serviette ni d'autres tissus épais à la place des poignées.

14. Ne touchez pas aux éléments chauffants ou aux parois intérieures du four. Même si les surfaces sont de couleur foncée, elles peuvent être suffisamment chaudes pour causer des brûlures. Pendant et après l'utilisation, ne touchez pas et ne laissez pas les vêtements ou autres matériaux inflammables entrer en contact avec l'intérieur du four; laisser suffisamment de temps pour le refroidissement. Les autres surfaces de l'appareil peuvent devenir très chaudes et causer des brûlures. Les surfaces potentiellement chaudes incluent les brûleurs, les grilles, l'ouverture de ventilation du four, les surfaces près de l'ouverture, les crevasses autour de la portière du four, les éléments décoratifs métalliques au-dessus de la porte, tout support arrière ou la surface de la tablette supérieure.
15. Ne chauffez pas les contenants d'aliments non ouverts. La pression pourrait augmenter et le conteneur pourrait éclater et causer des blessures.



AVERTISSEMENT

Extrêmement lourd.

Un équipement approprié et une main-d'œuvre adéquate sont nécessaires pour déplacer la cuisinière afin d'éviter des blessures corporelles ou des dommages à l'appareil ou au sol.

Le non respect de ces conseils peut entraîner des dommages ou des blessures.



AVERTISSEMENT

NE PAS porter ni soulever la cuisinière par la poignée de la porte du four ou le panneau de commande !



Correct



Incorrect



**AVERTISSEMENT****CONSIGNES DE SÉCURITÉ GÉNÉRALES (suite)**

Cuisez les aliments à fond pour vous protéger contre les maladies d'origine alimentaire. Les recommandations relatives à la température minimale sécuritaire pour les aliments sont disponibles sur www.IsItDoneYet.gov et www.fsis.usda.gov. Utilisez un thermomètre pour aliments pour prendre la température des aliments à divers endroits.

Ne laissez personne grimper, se tenir debout ou se suspendre à la portière du four, au tiroir ou à la table de cuisson. Cela pourrait endommager la cuisinière et celle-ci pourrait basculer et causer des blessures graves ou mortelles. Gardez la hotte du ventilateur et le filtre à graisses propres pour le maintien d'une bonne ventilation et éviter les incendies de graisse. ÉTEIGNEZ le ventilateur en cas d'incendie ou en cas de d'utilisation intentionnelle d'alcool ou d'autres essences pour flamber un aliment sur la table de cuisson. Si le ventilateur est en marche, il pourrait propager des flammes.

**AVERTISSEMENT****GARDEZ LES MATÉRIAUX INFLAMMABLES LOIN DE LA CUISINIÈRE**

Le non-respect de cette consigne peut provoquer un incendie ou des blessures

Ne rangez pas et n'utilisez pas de matériaux inflammables dans un four ou près de la table de cuisson. Ceux-ci comprennent le papier, le plastique, les poignées, les linges, les revêtements muraux, les rideaux, les draperies et le carburant ou d'autres liquides et vapeurs inflammables.

Lors de l'utilisation de l'appareil, ne portez jamais de vêtements amples ou drapés. Si ces vêtements entrent en contact avec des surfaces chaudes, ils peuvent s'enflammer et provoquer des brûlures graves.

Ne laissez pas d'huile de cuisson ou d'autres matières inflammables s'accumuler dans la cuisinière ou à proximité de celle-ci.

Les graisses se trouvant dans le four ou sur la table de cuisson peut s'enflammer.

**AVERTISSEMENT****EN CAS D'INCENDIE, PRENEZ LES MESURES SUIVANTES POUR ÉVITER LES BLESSURES ET LA PROPAGATION DU FEU.**

N'utilisez pas d'eau sur les incendies de graisse. Ne prenez jamais une casserole en flammes. Arrêtez les commandes. Éteignez une poêle en flammes sur un élément de surface en la recouvrant complètement avec un couvercle bien ajusté, une plaque à pâtisserie ou un plateau plat. Utilisez un extincteur polyvalent à poudre chimique ou à mousse.

En cas d'incendie dans le four pendant la cuisson, étouffez le feu en fermant la porte du four et en éteignant le four ou en utilisant un extincteur polyvalent à poudre chimique ou à mousse. S'il y a un incendie dans le four pendant l'auto-nettoyage, éteignez le four et attendez que l'incendie se dissipe.

Ne forcez pas l'ouverture de la porte. L'introduction d'air frais à des températures d'auto-nettoyage peut provoquer une explosion de flamme du four. Le non-respect de ces consignes peut causer des brûlures graves.

**AVERTISSEMENT****CONSIGNES DE SÉCURITÉ POUR LA TABLE DE CUISSON**

Ne laissez jamais les brûleurs de surface sans surveillance à des réglages de chaleur moyenne ou élevée. Les aliments, et en particulier les aliments gras peuvent s'enflammer et causer un incendie qui pourrait se propager aux armoires environnantes.

Ne laissez jamais d'huile sans surveillance pendant la friture. Si on laisse chauffer au-delà de son point de fumée, l'huile peut s'enflammer et causer un incendie qui peut se propager aux armoires environnantes. Utilisez autant que possible un thermomètre à friture pour surveiller la température de l'huile.

Pour éviter les débordements d'huile et les incendies, utilisez une quantité minimale d'huile lorsque vous faites frire dans une casserole peu profonde et évitez de cuire des aliments congelés contenant une quantité excessive de glace.

Utilisez une casserole de taille appropriée et évitez les casseroles instables ou qui basculent facilement. Sélectionnez un ustensile de cuisine correspondant à la taille du brûleur. Les flammes des brûleurs doivent être ajustées de manière à ne pas dépasser le fond de la casserole. Les flammes excessives peuvent être dangereuses.

Lorsque vous utilisez des ustensiles de cuisson en verre/céramique, assurez-vous qu'ils conviennent à la table de cuisson; quelques uns peuvent se briser à cause d'un changement soudain de température. Pour minimiser les risques de brûlure, d'inflammation de matériaux inflammables et de déversement, les poignées des casseroles doivent être tournées vers le centre de la cuisinière sans s'étendre sur les brûleurs voisins.

N'utilisez pas de wok avec un support métallique rond. L'anneau peut piéger la chaleur et bloquer l'air se trouvant dans le brûleur, ce qui présente un risque de monoxyde de carbone.

N'essayez pas de soulever la table de cuisson. Vous risquerez d'endommager les tuyaux de gaz des brûleurs de surface, entraînant donc une fuite de gaz et un risque d'incendie.

N'utilisez pas de papier en aluminium pour couvrir les grilles ou recouvrir une pièce de la table de cuisson. Cela pourrait entraîner une intoxication au monoxyde de carbone, une surchauffe des surfaces de la table de cuisson ou un risque d'incendie.

**AVERTISSEMENT****CONSIGNE DE SÉCURITÉ DU FOUR**

NE recouvrez JAMAIS les fentes, les orifices ou les passages au fond du four et ne couvrez pas une grille entière en utilisant des matériaux tels que le papier en aluminium ou les revêtements de four. Cela bloque la circulation de l'air dans le four et peut causer une intoxication au monoxyde de carbone. Ne placez jamais de papier d'aluminium ou de revêtement de four au fond du four. Ils peuvent piéger la chaleur et causer un risque de fumée ou d'incendie.

Éloignez-vous de la cuisinière lorsque vous ouvrez la portière du four. Les fuites d'air chaud ou de vapeur peuvent causer des brûlures aux mains, au visage et/ou aux yeux.

Ne placez jamais d'ustensiles de cuisine, de pizza ou de pierres de cuisson, ou tout type de papier d'aluminium ou de support au bas du four. Ces éléments peuvent piéger la chaleur ou fondre, ce qui peut endommager le produit et causer une décharge, de la fumée ou un incendie.

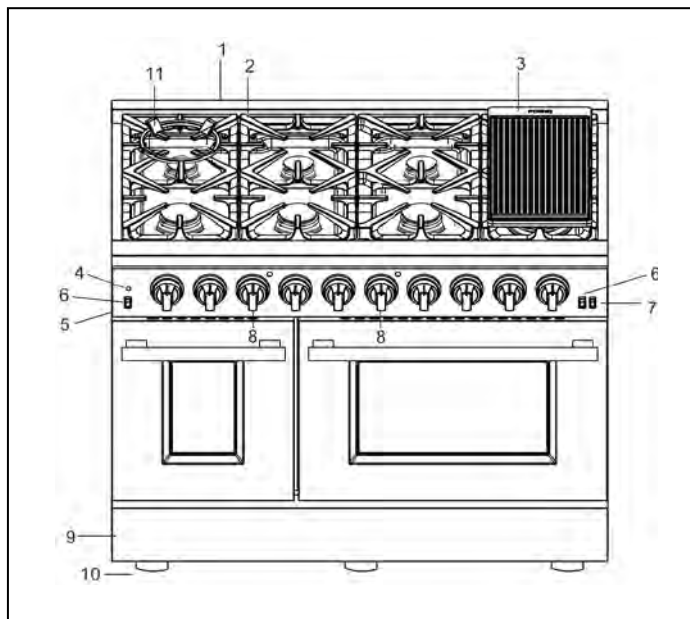
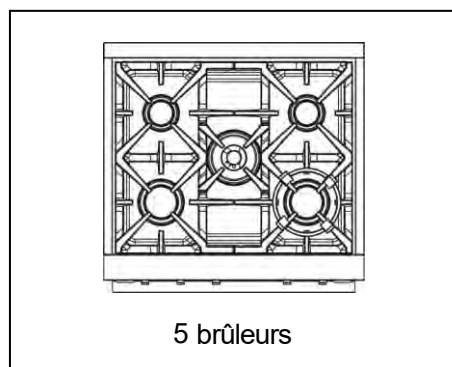
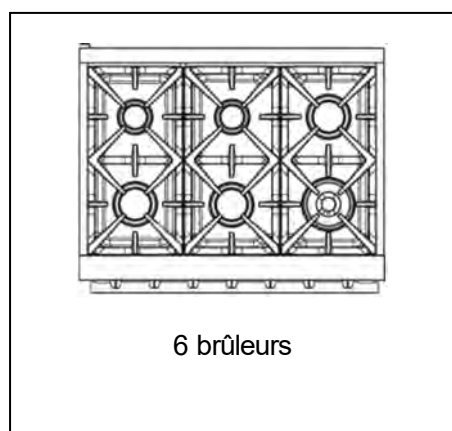
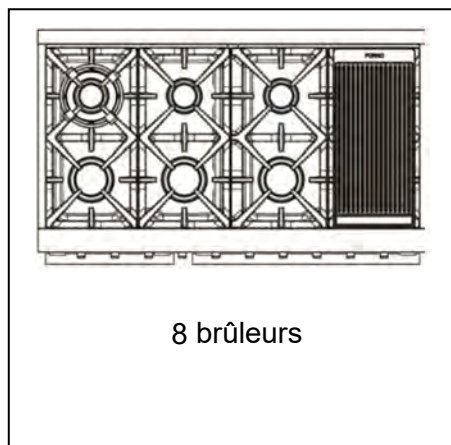
Placez les grilles du four à l'endroit désiré après que le four devient froid. Si la grille doit être déplacée alors que le four est chaud, veillez à ne pas toucher les surfaces chaudes.

Ne laissez pas d'objets tels que du papier, des ustensiles de cuisine ou des aliments dans le four lorsqu'il n'est pas utilisé. Les articles rangés dans un four peuvent s'enflammer.

Ne laissez pas d'objets sur la table de cuisson près de la ventilation du four. Les articles peuvent surchauffer et entraîner un risque d'incendie ou de brûlures.

N'utilisez jamais la fonction de grillage alors que la porte du four est ouverte. Le grillage à porte ouverte n'est pas recommandé en raison de la surchauffe des boutons de commande.

Fonctionnalités de votre cuisinière



Toutes les fonctionnalités ne sont pas disponibles sur tous les modèles. L'apparence peut varier

Index des fonctionnalités	
1	Évents du four
2	Grilles de brûleur de la table de cuisson
3	Grille de cuisson (sur certains modèles)
4	Yeux magiques (sur certains modèles)
5	Panneau de commande
6	Lumières de four
7	Panneau de commande du ventilateur de la convection
8	Brûleur du four/grillage
9	Panneau coup de pied
10	Système de mise à niveau
11	Support de wok

Consignes d'installation

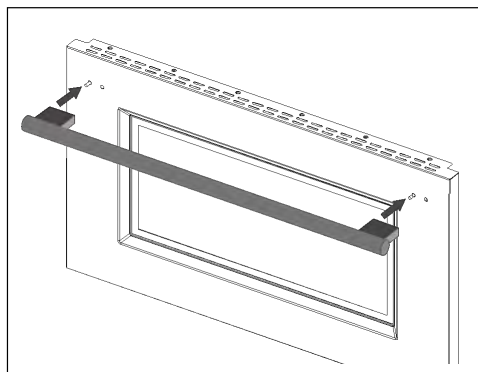
Installation de la poignée de porte

La poignée de porte n'est pas préinstallée. Trouvez-la à l'avant de l'emballage. Suivez l'illustration à droite pour rapidement et facilement installer la poignée de porte.



AVERTISSEMENT

Gardez le morceau de caoutchouc carré de la poignée pour éviter d'égratigner la porte du four jusqu'à ce que le côté gauche soit installé.

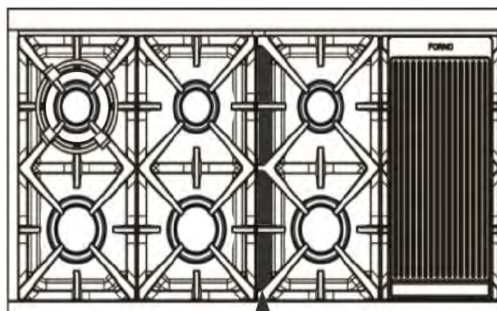


1. Retirez le morceau de caoutchouc rond noir de l'intérieur de la porte et le morceau de caoutchouc carré sur la poignée.
2. Insérez le tournevis dans le trou et retirez l'écrou de l'extérieur.
3. Installez la poignée avec la vis apparente.
4. Répétez les étapes 1 à 3 pour l'autre côté.
5. Remplacez les morceaux de caoutchouc ronds noirs pour couvrir les deux trous de la porte intérieure..

Installation des grilles de brûleur de la table de cuisson

Retirez les matériaux d'emballage des grilles des brûleurs de la table de cuisson. Placez les grilles de brûleur dans une bonne position. Faites attention aux grilles centrales de droite, comme illustré car le côté le plus épais devrait se trouver à gauche.

Placez le gril (uniquement pour FFSGS6260-48) et le support de wok sur le(s) brûleur(s) avec lesquels vous aimez cuisiner.



Électrique

Votre cuisinière doit être mise à la terre conformément aux codes locaux ou, en l'absence de codes locaux, selon le Code national de l'électricité (ANSI / NFPA 70, dernière édition). Au Canada, la mise à la terre électrique doit être conforme au Code Canadien de l'électricité CSA C22.1, section 1 et/ou aux codes locaux. L'alimentation doit avoir la polarité adéquate. Une polarité inversée provoquera en continu des étincelles des électrodes, même après la flamme d'allumage. En cas de doute sur la polarité appropriée de l'alimentation ou de la mise à la terre, faites-la vérifier par un électricien qualifié.



Installation

Accrochez la grille aux rails latéraux et poussez doucement



Démonter

Soulevez la grille et tirez doucement jusqu'à ce qu'elle soit dégagée des rails latéraux.

EXIGENCES ÉLECTRIQUES

Alimentation électrique Mise à la terre, 110/120 V CA, 60 Hz

Service 15 A ou circuit dédié de 20 A

Prise Types de mise à la terre à 3 broches

Cordon d'alimentation 1,8 m (6 pi)



AVERTISSEMENT

Consignes de mise à la terre électrique : Cette cuisinière est équipée d'une fiche à trois broches (mise à la terre) pour vous protéger contre les risques d'électrocution et doit être branchée directement dans une prise à trois broches correctement mise à la terre.



MISE EN GARDE

La broche de mise à la terre de la fiche ne doit pas être coupée ou retirée. Étiquetez tous les fils avant la déconnexion lors de l'entretien des commandes. Les erreurs de câblage peuvent causer un fonctionnement incorrect et dangereux. Vérifiez le bon fonctionnement après l'entretien.

Mise à la terre

Le cordon d'alimentation est équipé d'une fiche à trois broches (mise à la terre) qui se branche dans une prise murale standard à trois broches avec mise à la terre afin de minimiser les risques d'électrocution provenant de la cuisinière.

Tous les appareils connectés au cordon doivent comporter des consignes relatives à l'emplacement de la prise murale et avertir l'utilisateur qu'il doit débrancher l'alimentation électrique avant de desservir l'appareil.

Lorsqu'une prise murale standard à deux broches est présente, il incombe au client de la faire remplacer par une prise murale à trois broches correctement mise à la terre. Ne coupez pas et ne retirez pas la broche de terre du cordon d'alimentation.

Alimentation en gaz

L'installation doit être conforme aux codes locaux ou, en l'absence des codes locaux, au Code national de gaz combustible, norme ANSI Z223.1 / NFPA 54. Au Canada, l'installation doit être conforme à la norme actuelle d'installation/code de gaz naturel, CAN 1-1.1- M81 et aux codes locaux le cas échéant. Cette cuisinière a été homologuée et conforme à la dernière édition de la norme ANSI Z21.1b-2012.

EXIGENCES DES GAZ

GAZ NATUREL

WC

Pression d'alimentation	5 po (12,5 mb)
Pression d'alimentation minimale	6 po
Pression maximale du régulateur	14po. (34,9 mb), 0.5 psi (3,5 kPa)

GAZ LP

WC

Pression d'alimentation	10 po (25 mb)
Pression d'alimentation minimale.	11 po
Pression maximale du régulateur	14po.(34,9 mb), 0.5 psi (3,5 kPa)

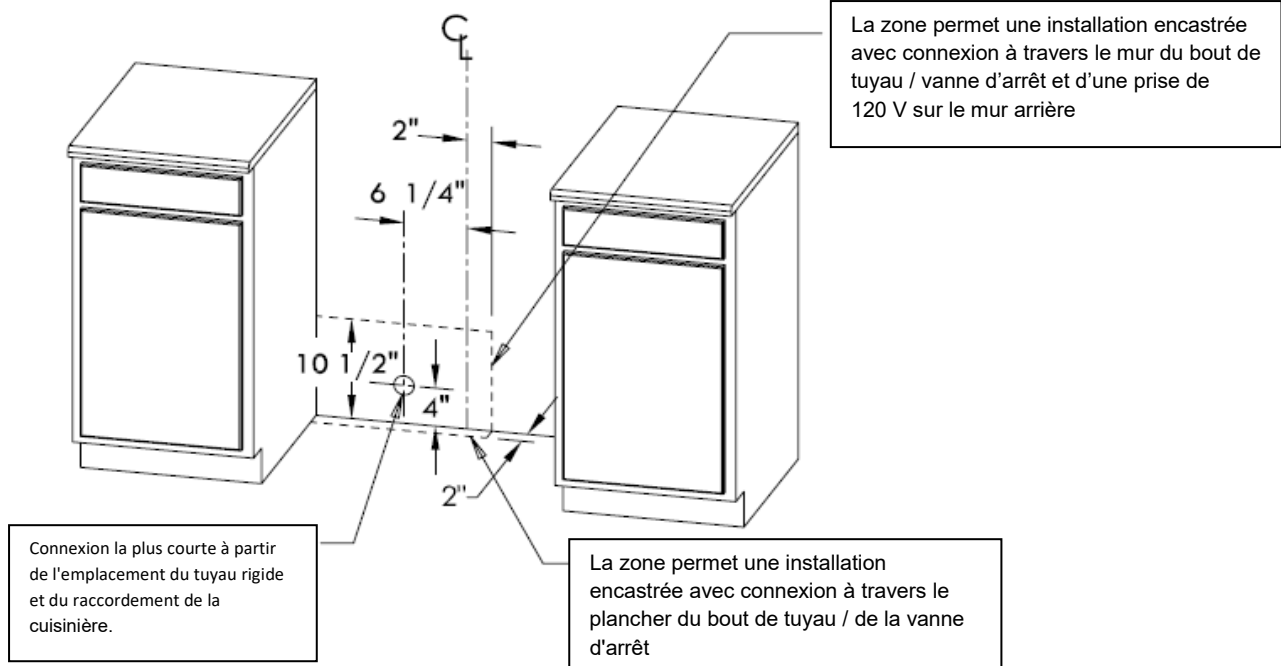


AVERTISSEMENT

N'obstruez pas le flux d'air de combustion dans la cuisinière et l'air de ventilation à la sortie de la cuisinière

Ventilation: il est recommandé de faire fonctionner l'appareil avec une hotte d'évacuation ventilée de la tête du four de dimensions et de capacité suffisantes.

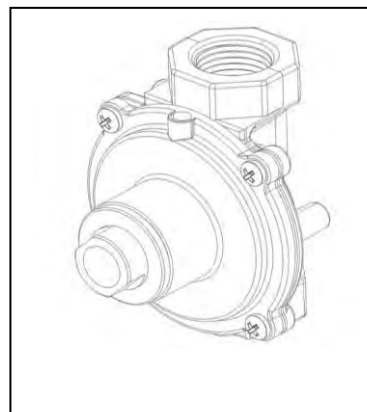
Exigences de l'alimentation électrique



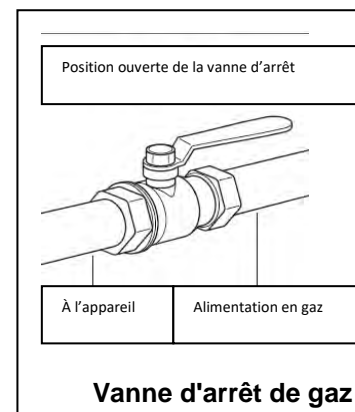
Régulateur de pression

Étant donné que la pression de service peut fluctuer en fonction de la demande locale, chaque cuisinière à gaz doit être équipée d'un régulateur de pression sur la ligne d'alimentation entrante pour un fonctionnement sûr et efficace. Le régulateur de pression livré avec la cuisinière est équipé de deux raccords femelles 3/4" NPT. Le régulateur doit être installé correctement afin d'être accessible lorsque l'appareil est installé dans sa position finale.

Le régulateur de pression peut supporter une pression d'entrée maximale de 3,5 kPa (0,5 psi) et est réglé à une pression de sortie de 5 po.



Régulateur de pression



Vanne d'arrêt de gaz

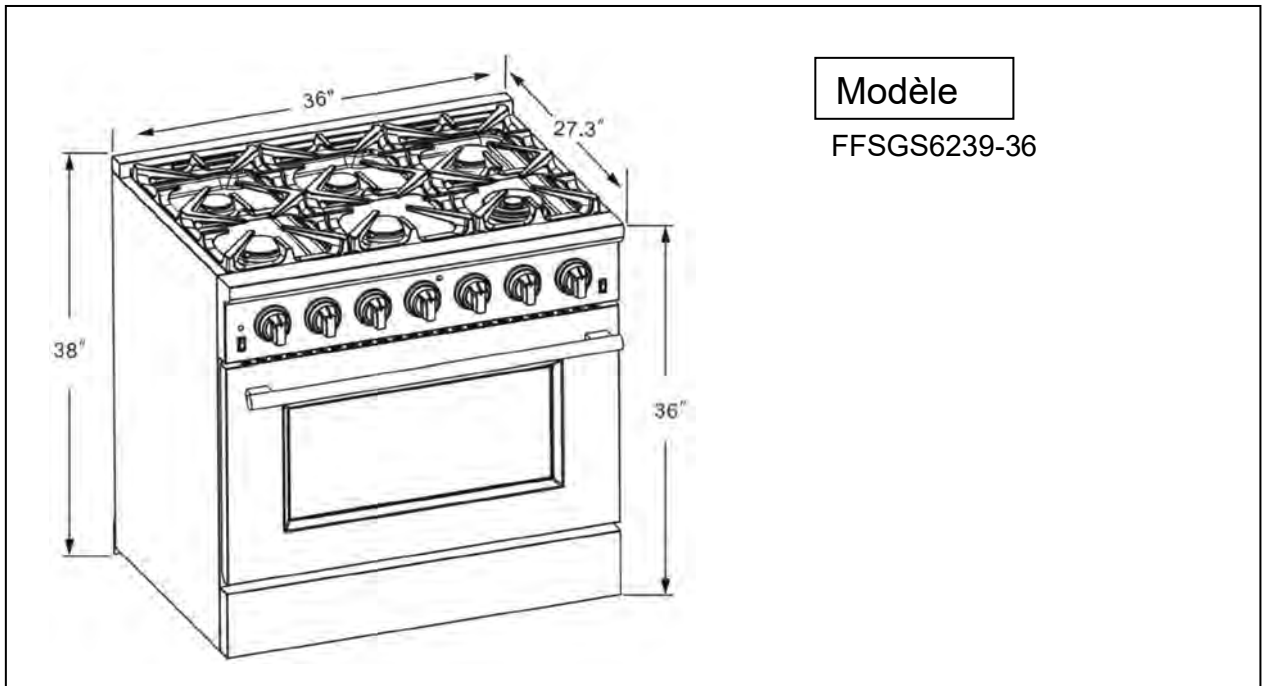
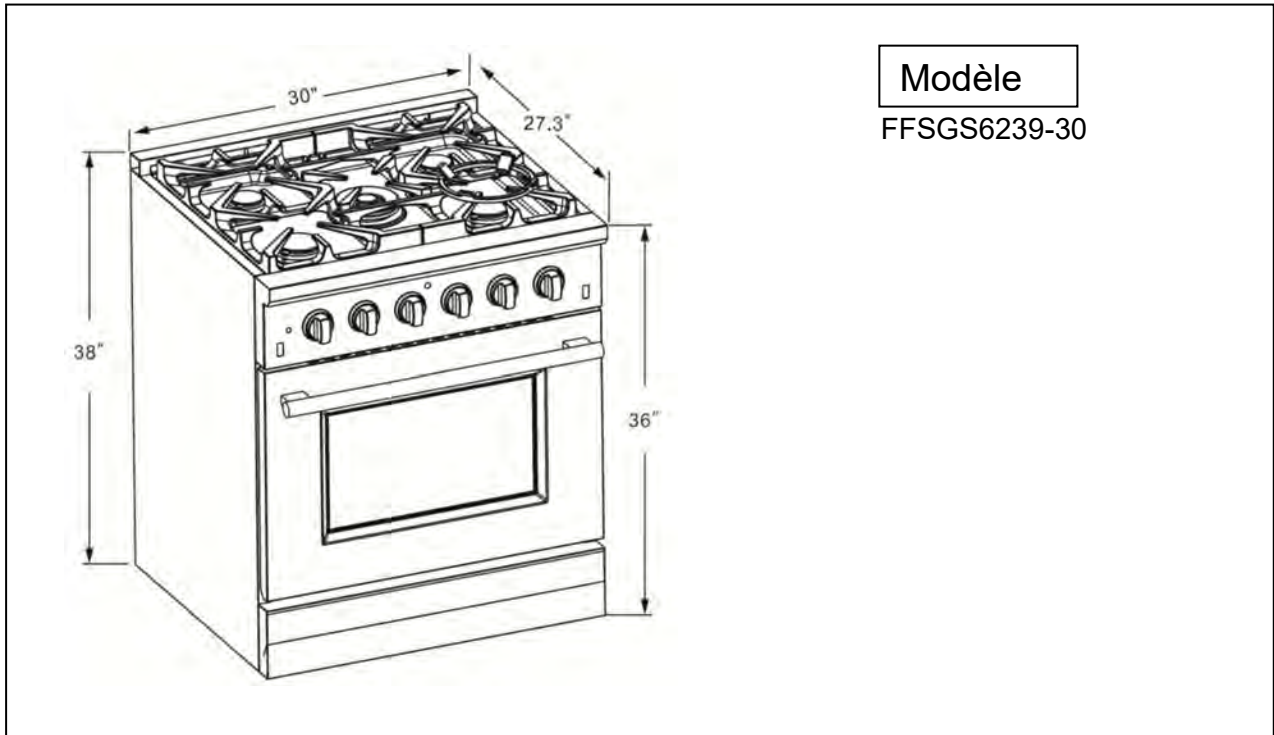
Vanne d'arrêt de gaz

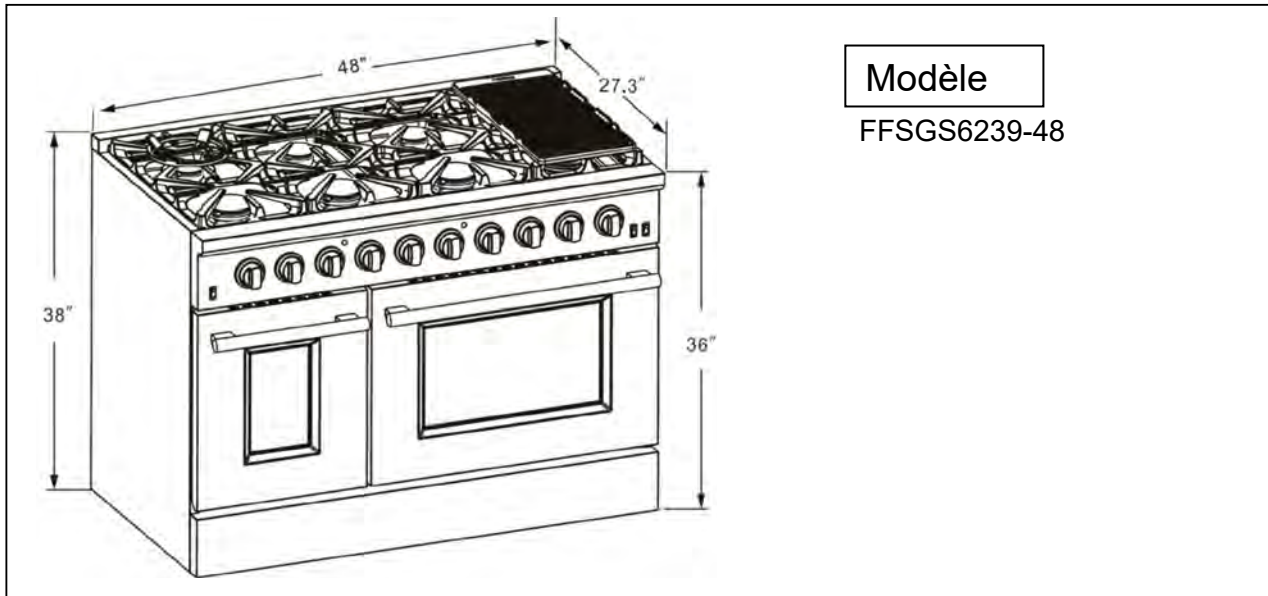
La conduite d'alimentation doit être équipée d'une vanne d'arrêt de gaz externe approuvée, située à proximité de la cuisinière dans un endroit accessible. Ne bloquez pas l'accès à la vanne d'arrêt. Reportez-vous à l'illustration.

Une conduite d'alimentation en gaz d'un diamètre intérieur de 3/4po (19) doit être fournie avec la cuisinière. Si les codes locaux le permettent, il est recommandé d'utiliser un connecteur d'appareil flexible en métal certifié de 3 pi.(0,9 m) de long, 1/2po.(13) ou 3/4po. (19) de diamètre intérieur, pour brancher l'entrée femelle NPT de 1/2 po.de l'appareil à la conduite d'alimentation en gaz. Les composés de joint de tuyau appropriés pour une utilisation avec le gaz naturel ou le gaz PL doivent être utilisés.

L'appareil et sa vanne d'arrêt doivent être débranchés du système de tuyauterie d'alimentation en gaz lors de tout test de pression du système à des pressions de test supérieures à 0,5 psi (3,5 kPa). L'appareil doit être isolé du système de tuyauterie d'alimentation en gaz en fermant sa vanne d'arrêt manuelle individuelle lors de tout test de pression du système à des pressions de test égales ou inférieures à 0,5 psi (3,5 kPa).

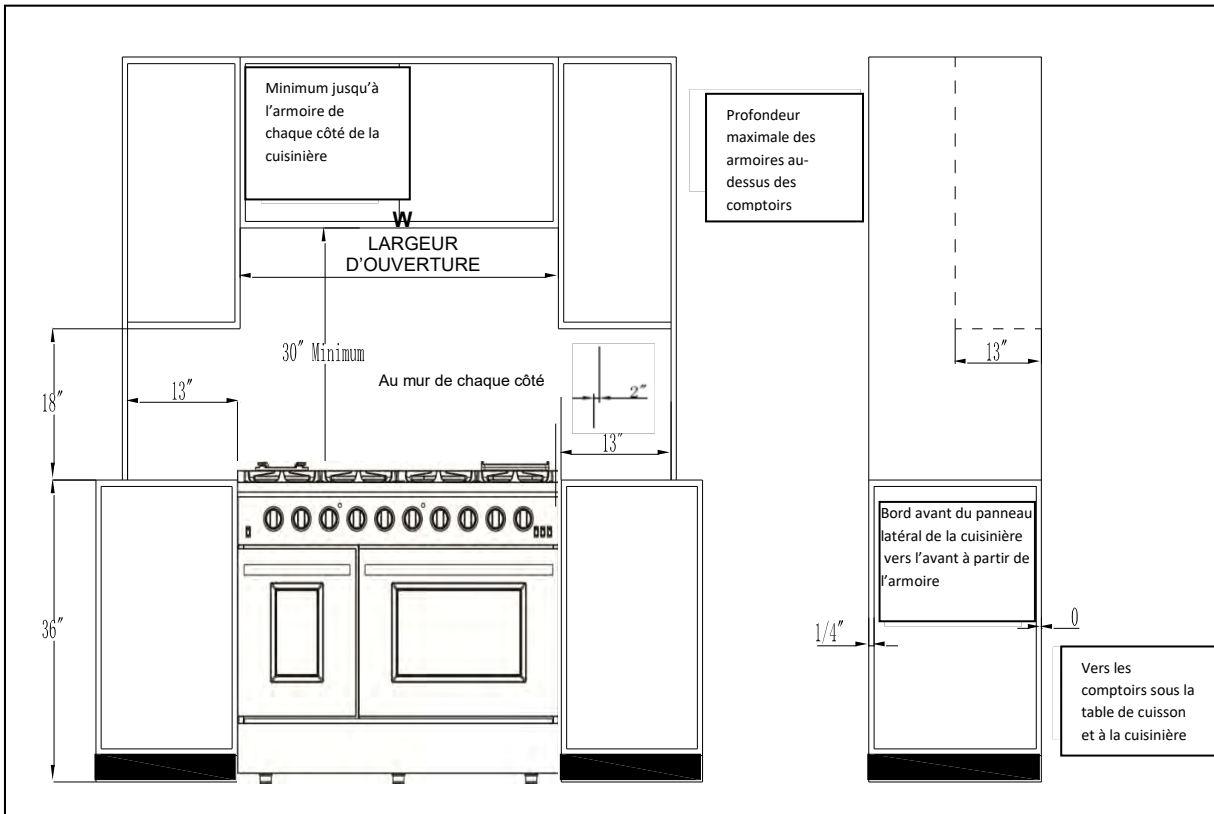
Dimensions du produit et des armoires





Modèle
FFSGS6239-48

Cette cuisinière peut être installée directement à côté des armoires existantes à une hauteur de comptoir (36 po ou 91,5 cm du sol). Pour obtenir le meilleur aspect possible, la table de cuisson doit être au même niveau que le comptoir de l'armoire. Cela peut être obtenu en soulevant l'unité à l'aide des tiges de réglage sur les pieds.



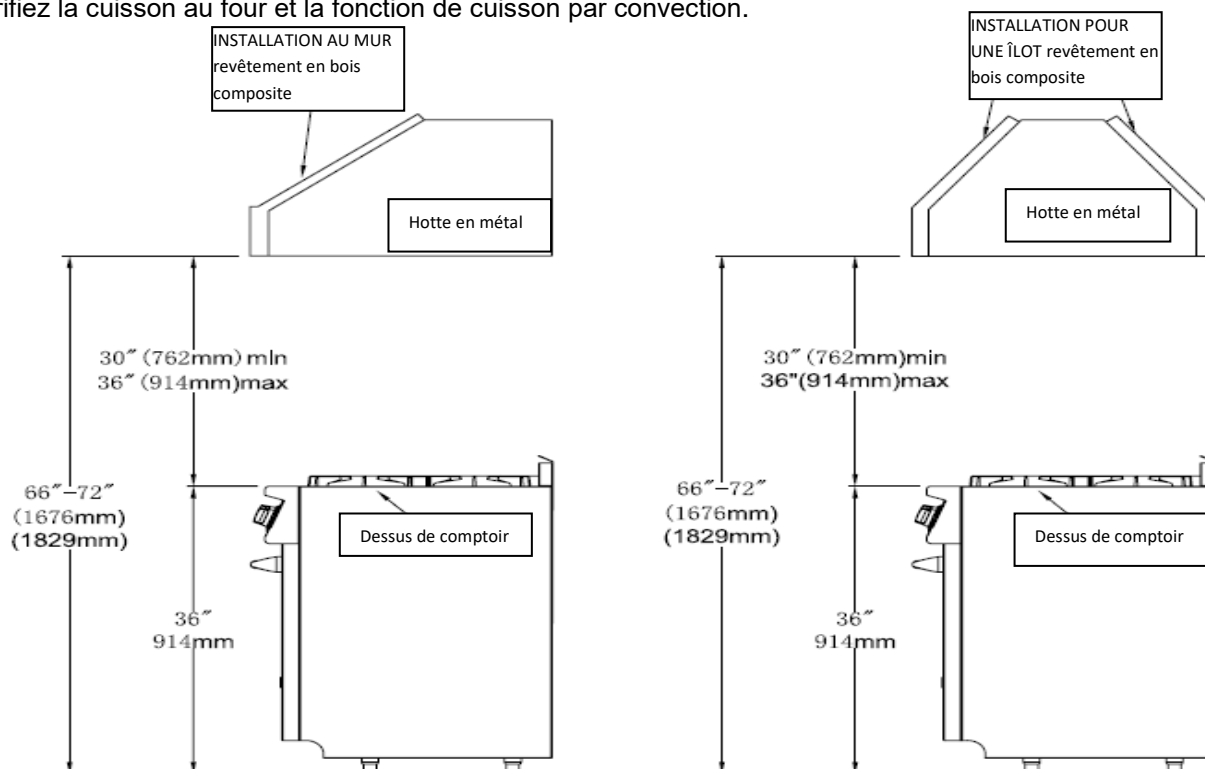
LARGEUR D'OUVERTURE	Largeur
Modèle de 30 po.	30 po. (762)
Modèle de 36 po.	36 po. (914)
Modèle de 48 po.	48 po. (1219)

Installation de la hotte d'aspiration

Le bas de la hotte doit se situer entre 30 et 36 po au-dessus du comptoir. Cela signifiera généralement que le bas de la hotte se situerait entre 66 et 72 po au-dessus du sol. Ces dimensions permettent un fonctionnement sûr et efficace de la hotte.

Après l'installation:

1. Vérifiez l'allumage des brûleurs de la table de cuisson.
2. Vérifiez le réglage de l'obturateur d'air - flamme bleue vive, sans flamme jaune sautillante ou dansante.
3. Vérifiez l'allumage du brûleur du four.
4. Vérifiez visuellement le ré-allumage du brûleur tubulaire (brûleur du four) pour vous assurer que les deux rangées d'orifices du brûleur se rallument à chaque fois.
5. Vérifiez les fuites de gaz au niveau de toutes les connexions de gaz (à l'aide d'un détecteur de gaz, jamais de flamme).
6. Vérifiez la cuisson au four et la fonction de cuisson par convection.



Opération de conversion de gaz

Cette cuisinière peut être utilisée avec du gaz propane liquide et du gaz naturel. Elle est expédiée de l'usine pour une utilisation avec le gaz naturel (NG). Les buses de conversion sont incluses. Pour la conversion de gaz, suivez les instructions ci-dessous :



La conversion du gaz doit être effectuée par un professionnel formé en usine.

Appelez le service clientèle à proximité de votre domicile pour identifier un des professionnels formés en usine



Avant d'effectuer cette opération, débranchez la cuisinière du gaz et de l'électricité.

La procédure de conversion de gaz pour cette cuisinière comprend 8 étapes

1. Régulateur de pression
2. Brûleurs de table de cuisson
3. Brûleur du four
4. Brûleur de cuisson au grill
5. Vannes de gaz
6. Reconnexion de l'alimentation en gaz et en électricité
7. Brûleur du four à obturateur d'air
8. Installation d'une nouvelle étiquette d'évaluation

La conversion n'est pas terminée si les 8 étapes n'ont pas été correctement effectuées. Avant d'effectuer la conversion de gaz, identifiez l'emballage contenant les buses de rechange livrées avec chaque cuisinière.

ÉTAPE 1: Régulateur de pression

Pour accéder au régulateur de gaz, tirez la cuisinière du mur de l'armoire. Le régulateur de gaz est situé dans le coin inférieur droit de la cuisinière.



AVERTISSEMENT

Un risque de décharge électrique peut survenir et entraîner des blessures ou la mort. Débranchez l'alimentation électrique de la cuisinière avant de procéder à l'entretien. Ne retirez pas le régulateur et ne le laissez pas tourner pendant l'entretien.

- Dévissez le capuchon du régulateur. Ne retirez pas le ressort du régulateur.
- Dévissez l'insertion du capuchon et retournez-le de sorte que la tige la plus longue soit tournée vers le bouchon. Remplacez l'insertion sur le capuchon. Remplacez le capuchon sur le régulateur.



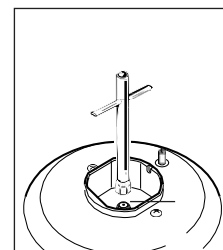
Position du GN



Position du PL

ÉTAPE 2: Brûleurs de la table de cuisson

- Retirez les grilles de cuisson, les capuchons de brûleur et les anneaux intérieurs de brûleur.
- Soulevez les têtes de brûleur externes et les bases de brûleur.
- Retirez les buses de gaz naturel installées en usine du centre des porte-buses à l'aide d'une clé à douille de 7 mm. Remplacez la buse PL dans chaque porte-buse. Serrez chaque buse jusqu'à ce qu'elle soit bien ajustée. Veillez à ne pas trop serrer.



Clé à douille



MISE EN GARDE

Des précautions doivent être prises lors du retrait et du remplacement des composants du gaz. Utilisez un support approprié pour éviter des dommages aux composants.

IMPORTANT: Chaque buse a un numéro indiquant son diamètre de débit imprimé sur le corps. Consultez le tableau ci-dessous pour connaître les buses et les brûleurs correspondants.

GN	1,33	1,38*2+0,75	1,33
GPL	0,93	0,9*2+0,46	0,93



GN	1,75	1,75
GPL	1,18	1,18

Modèle: FFSGS6239-30

GN	1,33	1,33	1,75
GPL	0,93	0,93	1,18



GN	1,75	1,75	1,38*2+0,75
GPL	1,18	1,18	0,9*2+0,46

Modèle: FFSGS6239-36

GN	1,33	1,33	1,33	1,75
GPL	0,93	0,93	0,93	1,18



NG	1,75	1,75	1,75	1,38*2+0,75
LPG	1,18	1,18	1,18	0,9*2+0,46

Modèle: FFSGS6239-48

IMPORTANT: Conservez les buses retirées de la cuisinière pour une utilisation ultérieure.

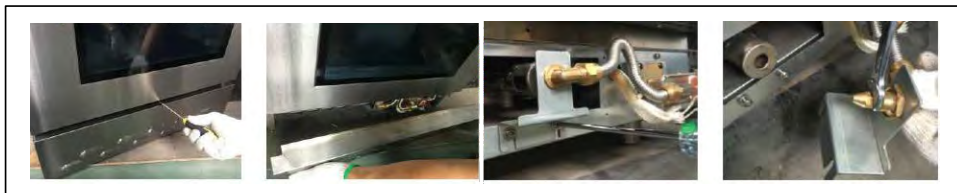
ÉTAPE 3: Brûleur du four

a. Retirez les 3 vis situées entre le panneau coup de pied et la porte du four. Tenez le panneau coup de pied par les deux extrémités et retirez-le lentement vers l'avant.

b. Retirez les 2 vis qui retiennent le support de la buse et identifiez la buse.

Remplacez par une buse de brûleur de four de 1,32 mm et serrez. Remplacez le support de la buse en alignant la nouvelle buse sur l'obturateur d'air du brûleur du four.

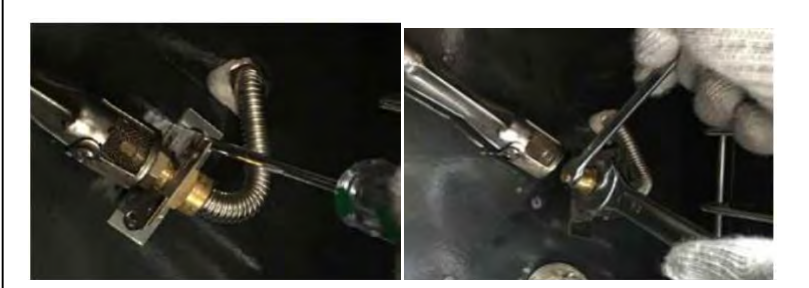
Répétez ces étapes pour un four de 18 po (cuisinière de 48 po. seulement).



		Modèle:FFSGS6239-30	Modèle:FFSGS6239-36	Modèle:FFSGS6239-48
Four	GN	2.2	2.2	2.2
	GPL	1.39	1.39	1.39
Four 18 po	GN			1.7
	GPL			1.12

ÉTAPE 4 : Brûleur de cuisson au grill

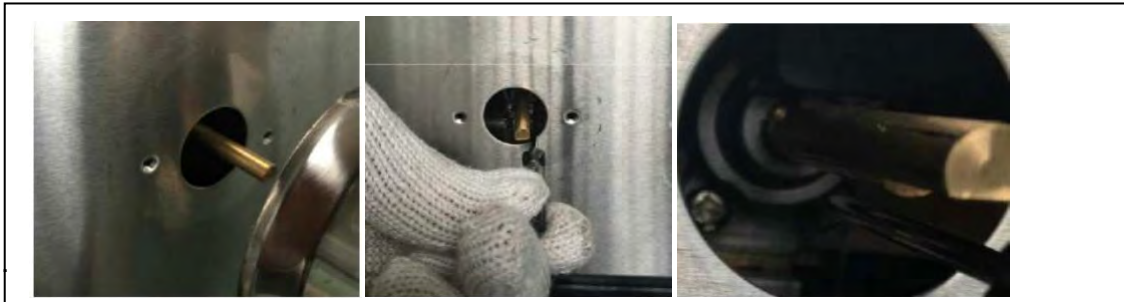
- Retirez les 2 vis fixant le support de la buse et identifiez la buse.
- À l'aide d'une clé ouverte de 5/8 po ou 19 mm, retirez la conduite de gaz du support de buse. Retirez la buse du support d'orifice en utilisant une clé ouverte de 1/2 po. Remplacez par une buse de grilloir du four de 0,94 mm.



		Modèle:FFSGS6239-30	Modèle:FFSGS6239-36	Modèle:FFSGS6239-48
Grilloir	GN	1.38	1.38	1.38
	GPL	0.94	0.94	0.94

ÉTAPE 5: Vanne de gaz

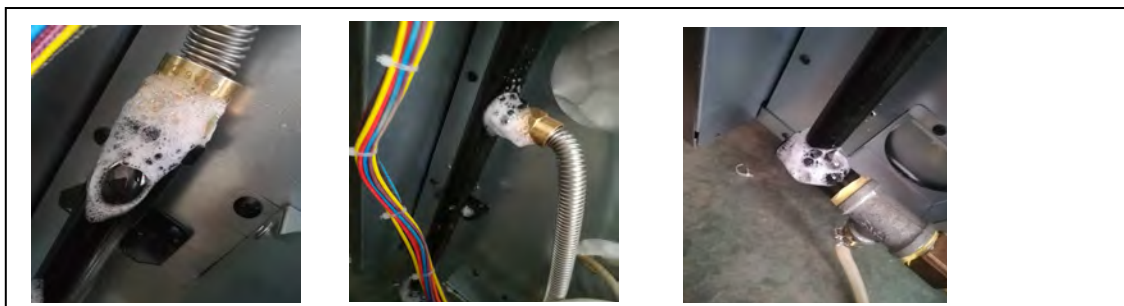
- Retirez les boutons de commande.
- À l'aide d'un tournevis plat, réglez les jets de dérivation du brûleur principal sur 1/4 de tour pour le propane jusqu'à ce que la flamme soit normale.



ÉTAPE 6: Reconnectez l'alimentation en gaz et en électricité

Les tests d'étanchéité de la cuisinière doivent être effectués conformément aux consignes d'installation fournies avec la cuisinière.

Avant d'utiliser la cuisinière après la conversion de gaz, vérifiez toujours les fuites à l'aide d'une solution d'eau savonneuse ou une autre méthode acceptable sur les raccords de gaz installés entre le tuyau d'entrée de gaz de la cuisinière, le régulateur de gaz et la vanne d'arrêt manuelle.



 AVERTISSEMENT

N'UTILISEZ PAS de flamme pour vérifier les fuites de gaz !

ÉTAPE 7: Brûleur du four à obturateur d'air (le cas échéant)

L'obturateur d'air du brûleur du four peut nécessiter un ajustement en particulier si l'appareil a été converti pour une utilisation avec le PL. La hauteur approximative de la flamme au brûleur du four est d'un pouce (flamme bleue interne distinctive).

Pour déterminer si la flamme du brûleur du four est acceptable:

- a. Une fois la plaque coup de pied retirée, réglez le four pour cuire à 177 °C(350 °F) et observez la flamme. Si la flamme est de couleur jaune, augmentez la taille de l'ouverture de l'obturateur d'air. Si la flamme est bleue et s'éloigne du brûleur, réduisez la taille de l'ouverture de l'obturateur d'air.
- b. Éteignez le four et laissez-le refroidir avant de régler l'obturateur d'air. Pour le réglage, desserrez la vis de blocage, repositionnez l'obturateur d'air et serrez la vis de blocage. Testez de nouveau le brûleur en répétant les étapes ci-dessus. Lorsque la flamme du brûleur présente une couleur bleue distincte et brûle de façon continue, l'obturateur d'air est correctement réglé.

ÉTAPE 8: Installation d'une nouvelle étiquette d'évaluation

Notez le modèle et le numéro de série sur la plaque signalétique PL/Propane fournie dans cette trousse. Les informations peuvent être obtenues à partir de la plaque signalétique existante. Placez la nouvelle plaque aussi près que possible de la plaque signalétique existante de la cuisinière.

Préparation

Avant de déplacer la cuisinière, protégez le fini du revêtement de sol et fermez-la ou les portes du four pour éviter tout dommage.

La/ les porte(s) du four peut être retirée pour alléger la charge ou pour passer l'unité à travers l'embrasure d'une porte. Ne la retirez que si nécessaire. Ne retirez pas la plaque chauffante ni aucun autre composant. Le retrait de la porte ne doit être effectué que par un installateur ou un technicien d'entretien agréé.

Placement

Ne soulevez ou ne transportez pas la porte du four par la poignée de la porte. La cuisinière dispose de roulettes arrière qui permettent un mouvement facile en soulevant l'avant de l'unité.

Utilisez un chariot pour les appareils afin de déplacer la cuisinière près de l'ouverture. Retirez et recyclez les matériaux d'emballage. Ne jetez pas le support anti-basculement fourni avec la cuisinière.

Nivellement

Élevez la cuisinière à la hauteur souhaitée en ajustant les pieds. Les pieds peuvent être ajustés en faisant pivoter le pied hexagonale dans le sens horaire pour la relever et dans le sens antihoraire pour la baisser.

Support anti-basculement

Pour empêcher la cuisinière de basculer vers l'avant, vous devez installer le support anti-basculement. Reportez-vous à l'illustration à la page 5.

Raccord d'alimentation en gaz

Tous les raccords à la tuyauterie de gaz doivent être serrés à la clé. Ne serrez pas trop et ne laissez pas les tuyaux tourner lors du serrage.

Une fois tous les raccords effectués, vérifiez si toutes les commandes de la cuisinière sont en position « OFF » et mettez en marche la vanne principale d'alimentation en gaz.

Si un connecteur métallique flexible est utilisé, vérifiez s'il n'est pas plié, puis raccordez la conduite d'alimentation en gaz au régulateur de la cuisinière. Ouvrez la vanne et vérifiez s'il y a des fuites en plaçant une solution de détergent liquide sur tous les raccords de gaz. Les bulles autour des raccords sont des signes indiquant une fuite de gaz. Si une fuite apparaît, fermez la vanne d'arrêt et ajustez les raccords. Les tests de fuite de l'appareil doivent être effectués conformément aux consignes du fabricant. Utilisez de l'eau savonneuse (50 % d'eau et 50 % de savon) ou un détecteur de fuite au niveau de tous les joints et raccords pour vérifier l'étanchéité du système. N'utilisez pas de flamme pour vérifier les fuites de gaz.

L'appareil doit être isolé du système de tuyauterie d'alimentation en gaz du bâtiment en fermant sa vanne d'arrêt manuelle individuelle lors de tout test de pression du système de tuyauterie d'alimentation en gaz à une pression de test égale ou inférieure à 0,5 psi (3,5 kPa).

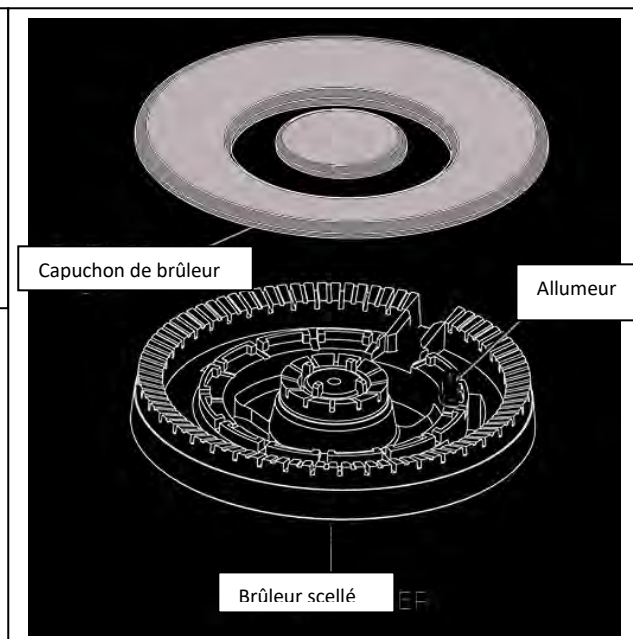
Pour commencer

Avant de commencer à cuisiner, veuillez suivre les étapes suivantes.

- Enlevez l'emballage extérieur et intérieur.
- Enlevez le film protecteur sur les pièces en acier et en aluminium.
- Nettoyez soigneusement la cuisinière en utilisant de l'eau chaude et un détergent doux. Rincez et séchez à l'aide d'un chiffon doux pour éliminer toute trace d'huile ou de graisse laissée par le processus de fabrication.
- Vérifiez si les composants du brûleur de surface sont correctement assemblés.
- Aménagez l'intérieur du four en y insérant les tablettes et le plateau.

Fonctionnement de la table de cuisson

La conception du brûleur rassemble toutes les pièces du brûleur en un seul assemblage. Le capuchon du brûleur doit être assis à plat sur le brûleur. Reportez-vous à l'illustration ci-dessous.



Allumage

Pour allumer les brûleurs de la table de cuisson, appuyez sur le bouton de commande approprié et tournez-le dans le sens antihoraire jusqu'à la position « Hi ».

Vous entendrez un déclic: le son de l'étincelle électrique allumant le brûleur.

Une fois l'allumage du brûleur terminé, tournez le bouton de commande du brûleur pour régler la taille de la flamme. Si le bouton reste sur « Hi », il continuera à émettre un bruit sec.

REMARQUE: Lorsqu'un brûleur est mis sur la position « Hi », tous les brûleurs produisent une étincelle.

N'essayez pas de démonter ou de nettoyer autour d'un brûleur lorsqu'un autre brûleur est allumé. Ne touchez aucun capuchon de brûleur, base de brûleur ou allumeur pendant que les allumeurs produisent des étincelles.

Réglages de chaleur:

Hi	Allume les brûleurs.
Simmer (Mijoter)	Faire fondre de petites quantités, cuire du riz à la vapeur, réchauffer des aliments, faire fondre du chocolat ou du beurre.
Low (Bas)	Faire fondre de grandes quantités.
Low-Medium (Bas-moyen)	Faire frire à basse température, frémir de grandes quantités, chauffer du lait, des sauces à la crème, jus de viande.
Medium (Moyen)	Sauter et brunir, braiser, poêler, maintenir une ébullition lente sur de grandes quantités.
Medium-Hi (Moyen-Hi)	Faire frire à haute température, cuire à la poêle, maintenir une ébullition lente sur de grandes quantités.
Hi	Faire bouillir rapidement un liquide, haute friture.



Ne laissez jamais les casseroles au réglage élevé sans surveillance. Vous devez être prudent lorsque vous cuisinez des aliments dans l'huile ou la graisse; ils peuvent devenir assez chauds pour s'enflammer.

Mijoter et bouillir

Une flamme plus petite offrira de meilleurs résultats pour mijoter. Les petites flammes offrent des performances de cuisson précises pour des aliments délicats, gardent les aliments au chaud, font fondre le chocolat ou le beurre, et permettent une cuisson à feu doux pendant une longue période.

Le réglage pour flammes plus élevés (plus grands) fournit la chaleur maximale disponible sur votre cuisinière. Ce réglage doit être utilisé pour les cuissons difficiles tels que bouillir de l'eau et cuire des pâtes.

Dimension de la flamme

- Lorsque vous sélectionnez la dimension de la flamme, il faut l'observer lorsque vous tournez le bouton.
- Toute flamme plus grande que le bas de la casserole est gaspillée.
- La flamme doit être stable et de couleur bleue. Les corps étrangers se trouvant dans la conduite de gaz peuvent provoquer une flamme orange lors de la première utilisation.

Panne de courant

- Si le gaz ne s'enflamme pas dans les quatre secondes, fermez la vanne et attendez au moins cinq minutes pour que tout le gaz se dissipe. Répétez la procédure d'allumage.
- En cas de panne de courant, les brûleurs de surface peuvent être allumés manuellement. Tenez une allumette allumée près d'un brûleur et tournez le bouton dans le sens antihoraire pour atteindre la position « HI ». Une fois que le brûleur est allumé, tournez le bouton sur le réglage souhaité.

Grilles de brûleur

1. Avant la cuisson, les grilles doivent être correctement positionnées. Une installation incorrecte des grilles peut égratigner la table de cuisson et/ou provoquer une mauvaise combustion.
2. Ne faites pas fonctionner les brûleurs sans casserole ni ustensile sur les grilles.

Utilisation de la grille chauffante (disponible uniquement sur les modèles 48 pouces)

Avant d'utiliser la grille chauffante

1. Nettoyez soigneusement la grille chauffante à l'aide d'eau tiède savonneuse pour éliminer la poussière ou tout revêtement protecteur.
2. Rincez à l'eau claire et essuyez à l'aide d'un chiffon / une serviette douce, propre et non pelucheuse.

Utilisation de la grille chauffante

1. Placez la grille chauffante à la position souhaitée pour la cuisson.
2. Préchauffez la grille chauffante pendant 10 à 12 minutes.
3. Pour plus de saveur, vous pouvez ajouter du beurre ou de l'huile de cuisson, puis mettez-y des aliments à cuire.



La surface de la grille chauffante est chaude après utilisation. Veuillez allouer suffisamment de temps pour qu'elle se refroidisse avant de la nettoyer.

Conseils de nettoyage de la table de cuisson

- Pour éviter que la table de cuisson ne se décolore ou ne se tache, nettoyez-la après chaque utilisation et essuyez les éclaboussures acides ou sucrées dès le refroidissement de la table de cuisson.
- Les brûleurs scellés de votre cuisinière ne sont pas fixés à la table de cuisson et sont conçus pour être enlevés. Les excès d'ébullition ou les débordements ne s'infiltreront pas sous la table de cuisson. Les brûleurs doivent être nettoyés après chaque utilisation.

Lumière du four

La lampe du four est contrôlée par un bouton-poussoir se trouvant sur le panneau de commande. Cette lumière peut être utilisée pendant la cuisson ou le nettoyage du four.



Vérifiez si l'alimentation est débranchée du boîtier électrique avant de remplacer l'ampoule. Laissez le four se refroidir complètement, puis dévissez le couvercle de la lampe et retirez l'ampoule en la dévissant par la base. Remplacez-la par une ampoule halogène de 40 watts.

Yeux magiques

Les yeux magiques rouges s'allument automatiquement lorsque la pièce deviendra sombre.

Fonctionnement du four

Conseils pour la cuisson au four

1. Ne couvrez jamais les fentes, orifices ou ouvertures se trouvant au fond du four et ne couvrez pas la grille entière par des matériaux tels que du papier aluminium. Cette action bloque la circulation de l'air dans le four et peut causer une intoxication au monoxyde de carbone. Le revêtement en aluminium peut également piéger la chaleur et cela présente un risque d'incendie.
N'utilisez pas de papier d'aluminium sur une surface en porcelaine. Cela endommagerait la porcelaine et affecterait sa durabilité.
2. Positionnez les grilles avant de préchauffer le four.
3. Réduisez la température du four de 14°C (57.2 °F) lors de la cuisson dans des plats en verre résistant à la chaleur ou en vitrocéramique.

Préchauffage

Préchauffez le four avant d'y mettre des aliments. Le préchauffage est nécessaire pour obtenir de bons résultats lors de la cuisson de gâteaux, biscuits, pâtisseries et pains.

Retirez la grille-lèchefrite avant le préchauffage avec le gril infrarouge. Les aliments collent au métal chaud. Pour préchauffer, tournez le sélecteur « Oven » sur la position « Broil ». Attendez environ 2 minutes pour que le brûleur devienne chaud.

Remarque: Il est normal que la vitre de la porte du four présente de la condensation ou de la buée, tout cela s'évapore généralement à la fin du cycle de préchauffage.

Fonction du four

La cuisson à débit d'air naturel se produit lorsque la chaleur est transférée dans le four par les brûleurs situés au fond de la cavité du four. La chaleur circule ensuite à l'aide du débit d'air naturel. Il s'agit d'un réglage de cuisson traditionnel.

Cuisson par convection

La chaleur est transférée depuis les brûleurs de cuisson situés dans la partie inférieure de la cavité du four vers la cavité même du four. Le ventilateur de convection situé à l'arrière du four la fait ensuite circuler. Ce processus de convection permet une distribution plus uniforme de la chaleur dans toute la cavité du four. L'utilisation de plusieurs grilles est possible pour la cuisson d'une grosse fournée. La cuisson par convection est plus rapide et peut être faite à des températures plus basses en fournissant des températures plus égales que la cuisson normale.

Rôtissage par convection

Le ventilateur de convection fait circuler l'air chauffé uniformément sur et autour des aliments. À l'aide du couvercle et de la grille-lèchefrite fournis, l'air chauffé circulera sur et autour des aliments à rôtir. L'air chauffé scelle rapidement les jus pour obtenir un plat moelleux et tendre tout en dorant parfaitement l'extérieur. Lors du rôtissage par convection, il est important d'utiliser la grille-lèchefrite pour obtenir de meilleurs résultats de rôtissage par convection. La lèchefrite est utilisée pour capter les éclaboussures de graisse et possède un couvercle servant à éviter les éclaboussures de graisse.

Dégivrage par convection

Lorsque le contrôle de la température est désactivé, le ventilateur motorisé situé à l'arrière du four fait circuler l'air. Le ventilateur accélère le dégivrage naturel des aliments sans chaleur. Ne laissez pas les aliments décongeler au four plus de deux heures sans être cuits afin d'éviter des maladies et du gaspillage alimentaire.

Déshydratation par convection

Grâce au contrôle de la température à 79,5 °C (175°F), l'air chaud est émis par les brûleurs de cuisson au fond de la cavité du four et est mis en circulation par un ventilateur motorisé à l'arrière du four. Après un certain temps, l'eau est éliminée des aliments par évaporation. L'élimination de l'eau inhibe la croissance des micro-organismes et retarde l'activité des enzymes.

Fonctionnement du grilloir

Remarque: Au cours de la cuisson au grilloir, la porte doit être fermée.

Le brûleur du grilloir est situé dans la partie supérieure du four. Ce brûleur chauffe l'écran en métal jusqu'à ce qu'il devienne lumineux. L'écran incandescent produit de la chaleur, saisissant l'extérieur des aliments grillés et scellant les jus. La cuisson au grilloir est une méthode de cuisson pour les morceaux de viande tendres directement sous le grilloir du four. Le grillage au four se fait la porte du four fermée. Il est normal et même nécessaire d'avoir de la fumée pour donner une saveur grillée aux aliments.

Réglage du grilloir

Le bouton de sélection « Oven » contrôle la fonctionnalité du grilloir. Lors de la cuisson au grilloir, la chaleur est diffusée vers le bas pour une couverture uniforme. La température de la fonction du grilloir est de 260 °C (500 °F).

Utilisés ensemble, la gril-lèche-frite et l'insertion permettent à la graisse qui s'égoutte de s'écouler et de rester à l'écart de la chaleur intense de grilloir du four. N'UTILISEZ PAS la lèche-frite sans l'insertion. NE COUVREZ PAS l'insertion de la gril-lèche-frite par un papier d'aluminium. La graisse exposée pourrait prendre feu. Pour régler le four pour le grilloir :

1. Mettez l'insertion sur la gril-lèche-frite. Ensuite, mettez les aliments sur l'insertion de la gril-lèche-frite.
2. Ajustez la grille intérieure du four et mettez la gril-lèche-frite sur la grille. Assurez-vous de mettre la gril-lèche-frite au centre et placez-la directement sous le brûleur du grilloir. Si vous préchauffez d'abord le brûleur du grilloir, positionnez la gril-lèche-frite après le préchauffage du brûleur de grilloir.
3. Tournez le sélecteur sur « Broil ».
Le voyant du four reste allumé jusqu'à ce que le sélecteur soit tourné vers la position éteinte ou que le contrôle de la température soit désactivé.

Placez la grille au bon niveau. Plus la nourriture est éloignée du grilloir, plus elle sera cuite à l'intérieur. Le préchauffage du four n'est pas nécessaire. Appuyez sur le bouton et tournez-le sur BROIL. Retournez la nourriture à la mi-cuisson. Tirez toujours la grille vers l'extérieur jusqu'à la position d'arrêt avant de tourner ou de retirer les aliments..

Conseils de nettoyage du four

1. Après chaque utilisation et une fois le four refroidi, nettoyez immédiatement les éclaboussures et les déversements.
2. Ne laissez pas les aliments riches en sucre ou en acide sur la surface de la cavité du four.
3. Utilisez un nettoyeur destiné au four pour nettoyer sa cavité.

Thermostat du four et temps de cuisson

Les chiffres imprimés sur le panneau de commande indiquent l'augmentation de la température du four (°F). Pour régler la température, définissez le chiffre souhaité sur l'indicateur du bouton de commande.

Remarque: La position BROIL sert uniquement à l'allumage du brûleur du grilloir.

La durée de cuisson peut varier en fonction du type d'aliment, de sa densité et de sa quantité. Au cours de la première cuisson, il est recommandé de surveiller et de vérifier les résultats car les résultats similaires sont obtenus lors de la préparation de mêmes plats dans les mêmes conditions.


Utilisez le thermostat pour contrôler les températures et le temps en fonction des guides de cuisson.

Recommandations d'entretien et de nettoyage

Acier inoxydable	Utilisez un nettoyant pour acier inoxydable non abrasif et appliquez-le à l'aide d'un chiffon doux et non pelucheux. Pour faire ressortir le lustre naturel, essuyez légèrement la surface avec un chiffon en microfibre suivi d'un chiffon de polissage sec. Suivez toujours le grain de l'acier inoxydable.
Grilles du brûleur Guides des grilles du four	Retirez-les et mettez-les sur une surface plane près de l'évier. Nettoyez à l'eau chaude avec un détergent doux ou avec une pâte de bicarbonate de soude et de l'eau. Ne les plongez pas dans l'eau. Séchez-les à la serviette.
Plateau de brûleur	Enlevez les débris de surface avant le nettoyage pour accélérer le processus et réduire les risques d'égratigner la surface pendant le nettoyage. En utilisant des nettoyants abrasifs doux ou des dégraissants en aérosol, nettoyez et rincez la surface et séchez immédiatement pour éviter les rayures. Pour nettoyer les taches d'eau calcaire, utilisez du vinaigre blanc et de l'eau. Rincez et séchez immédiatement.
Brûleurs de surface	Laissez-les se refroidir. Utilisez un détergent doux ou un dégraissant en aérosol pour les nettoyer. Rincez à l'eau et séchez à l'aide d'une serviette.
Boutons de commande	À l'aide d'un chiffon humide, essuyez en utilisant un détergent doux ou un dégraissant en aérosol; rincez et séchez. Ne pas les placer au lave-vaisselle.
Intérieur du four	Utilisez des nettoyants abrasifs doux et des dégraissants en aérosol. Utilisez une lame de rasoir pour soulever délicatement les aliments cuits de la cavité du four et de la fenêtre. Quant aux taches tenaces, vaporisez à l'aide d'un nettoyant abrasif doux ou un dégraissant en aérosol. Lavez toute la cavité du four en utilisant du savon et de l'eau pour éliminer tous les produits chimiques de nettoyage.
Gril-lèchefrite	Pour nettoyer la grille supérieure, utilisez un détergent doux et un tampon récurant. Rincez et séchez. Pour nettoyer le fond de la lèchefrite, enlevez la graisse et lavez à l'eau chaude et avec un détergent doux. Rincez et séchez. La grille supérieure en acier inoxydable va au lave-vaisselle. Cependant, ne placez pas au lave-vaisselle la grille recouverte de porcelaine ni le plat.

Conseils de dépannage

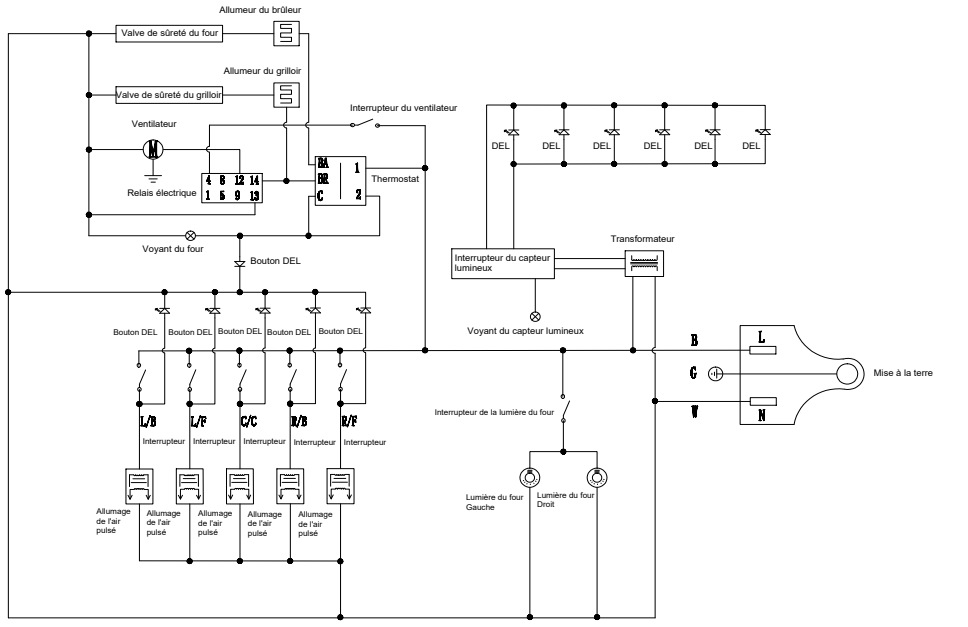
Avant d'appeler le service d'assistance

La cuisinière ne fonctionne pas	Vérifiez si la cuisinière est mise sous tension. Vérifiez que l'alimentation électrique de la cuisinière et du disjoncteur domestique est activée.
Les brûleurs ne s'allument pas ou ne produisent pas d'étincelles de manière aléatoire	La prise électrique n'est pas branchée sur une prise de courant sous tension. L'alimentation en gaz n'est pas activée. Les pièces du brûleur ne sont pas remplacées correctement. Les orifices dans les anneaux de cuisson ou les fentes des brûleurs sont obstrués. Buses obstruées, brûleurs ou électrodes humides. Un fusible dans votre maison peut avoir sauté ou un disjoncteur peut s'être déclenché.
Les brûleurs ont des flammes jaunes ou sautillantes	Les pièces du brûleur ne sont pas correctement remplacées. A. Flammes jaunes: Appelez le service. B. Extrémités jaunes sur les cônes extérieurs: normal pour le gaz propane (PL). C. Flammes bleues douces: normal pour le gaz naturel.  Si les flammes du brûleur ressemblent à (A), contactez le service d'assistance. Les flammes normales des brûleurs doivent ressembler à (B) ou à (C), selon le type de gaz
Les flammes des brûleurs sont très grandes ou jaunes	La cuisinière peut être connectée au mauvais type de carburant. Contactez la personne qui l'a installée ou qui a effectué sa conversion.
Les flammes des brûleurs contiennent des scintillements orangés	Poussière en suspension dans l'air; humidificateur à vapeur froide; débris sur ou à l'intérieur du brûleur
Les lampes du four ne fonctionnent pas	Si l'ampoule est défectueuse, remplacez-la.
Les grilles du four sont difficiles à faire glisser	Ne vaporisez pas d'aérosol de cuisson ou d'autres lubrifiants en aérosol. Voir Grilles de four à extension totale dans la section Entretien et Nettoyage.
La nourriture n'est pas correctement cuite ou rôtie	Les commandes du four sont mal réglées. Voir la section Cuisson au four ou Rôtissage. Le four n'est pas préchauffé pour une période suffisante.

	<p>Batterie de cuisine inappropriée ou mauvaises dimensions de casserole utilisée. Grilles dans la mauvaise position. Voir la section Cuisson au four ou Rôtissage. Utilisez une tente en aluminium pour ralentir le brunissage pendant la cuisson.</p> <p>Le thermostat du four doit être ajusté. Voir la section Réglage du thermostat du four.</p>
La nourriture ne grille pas correctement	<p>Ce modèle est destiné au grillage à porte fermée uniquement. Fermez la porte. Grillez toujours la porte fermée.</p> <p>Les commandes du four ne sont pas réglées sur BROIL. Voir la section Grillage.</p> <p>Mauvaise position de la grille.</p> <p>Les ustensiles de cuisine ne conviennent pas au grillage. Utilisez la grille-lèche-frite et la grille fournies avec votre four.</p> <p>La feuille d'aluminium utilisée sur la grille-lèche-frite et la grille n'a pas été correctement installée et fendue comme recommandé.</p>
La température du four est trop haute ou trop basse	Le thermostat du four doit être ajusté. Voir la section Réglage du thermostat du four.
Vapeur provenant de l'évent	Lorsque vous utilisez le mode convection, il est normal que de la vapeur s'échappe de l'évent du four. Plus le nombre de grilles ou la quantité d'aliments cuits augmente, plus la quantité de vapeur visible augmente.
Odeur de brûlé ou d'huile émise par l'évent	Ceci est normal dans un nouveau four et disparaîtra avec le temps.
Odeur forte	C'est temporaire. Au cours des premières utilisations du four, une odeur causée par l'isolation autour de l'intérieur du four est normale.
Ventilateur de convection pas toujours activé	Le ventilateur de convection (selon la fonctionnalité utilisée) peut être activé et désactivé jusqu'à ce que la fonction soit terminée ou que la porte soit ouverte pour optimiser les performances.
Condensation ou buée à l'intérieur de la vitre de la porte	Pendant le préchauffage du four, la condensation ou la formation de buée à l'intérieur de la vitre de la porte du four est normale et elle s'évaporera généralement à la fin du cycle de préchauffage.
Son de craquement ou d'éclatement pendant le nettoyage	C'est normal. C'est le son du métal chauffant et refroidissant pendant les fonctions de cuisson et de nettoyage.
Une fumée excessive se produit pendant le nettoyage	Le four est très sale. Tournez le sélecteur de mode du four et les boutons de température sur OFF. Ouvrez les fenêtres pour débarrasser la pièce de la fumée. Attendez que le voyant de la porte verrouillée s'éteigne. Essayez l'excès de saleté et nettoyez à nouveau.

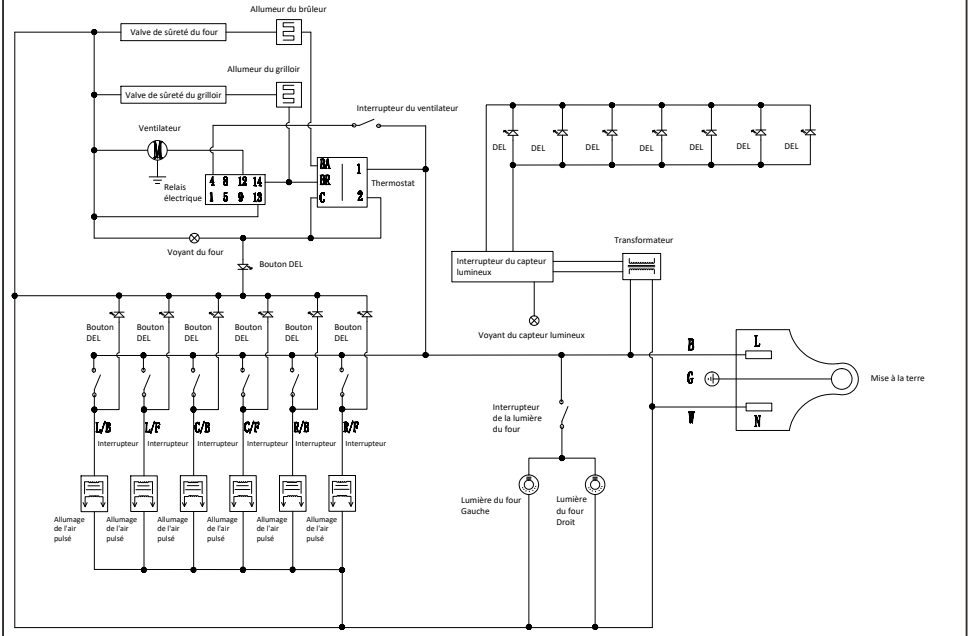
FFSGS6239-30

Diagramme du câblage



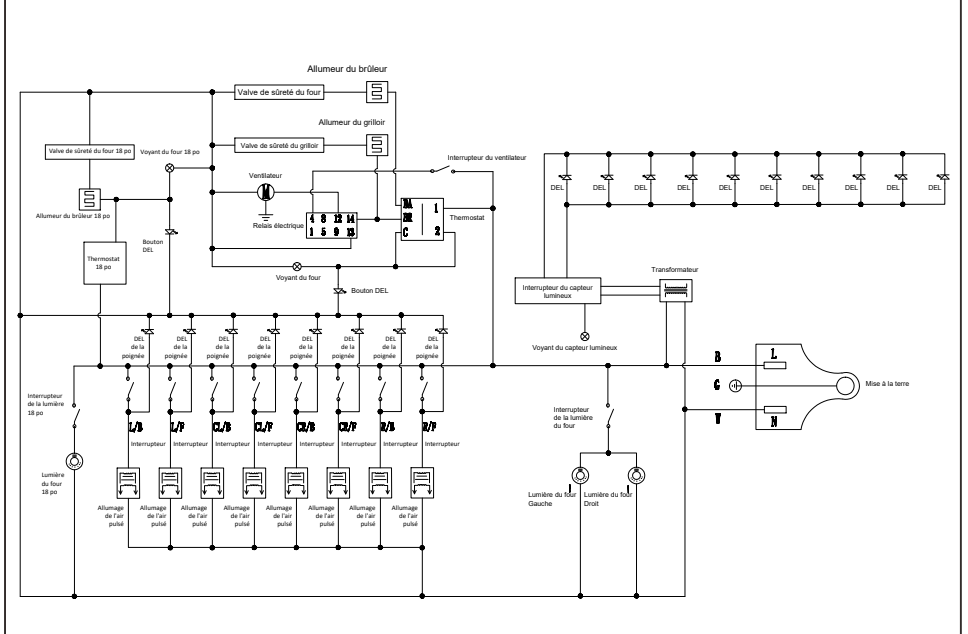
FFSGS6239-36

Diagramme de câblage



FFSGS6239-48

Diagramme du câblage





COCINA A GAS

**GUÍA DE INSTALACIÓN
ESPECIFICACIONES, INSTALACIÓN Y MÁS**



NÚMEROS DE MODELO



FFSGS6239-30



FFSGS6239-36



FFSGS6239-48

Índice	
Servicio al cliente	3
Información para el cliente	4
Instrucciones de seguridad	6
Características de su cocina	10
Instrucciones de instalación	
Instalación de la manija de la puerta	11
Instalación de las rejillas del quemador de la placa de cocción.	11
Electricidad	11
Suministro de gas	12
Regulador de presión	13
Válvula de cierre del gas	13
Dimensiones del producto y armarios	14
Instalación de la campana extractora.	16
Operación de conversión de gas	16
Conexión al suministro de gas.	21
Utilización de la placa de cocción	
Encendido	22
Cocción a fuego lento y ebullición	22
Rejillas del quemador	23
Funcionamiento de la parrilla.	23
Consejos para limpiar la placa de cocción	23
Luz del horno	23
Ojos mágicos	23
Funcionamiento del horno	
Precalentamiento	24
Horneado por convección	24
Asado por convección	24
Funcionamiento del asador	
Ajuste del asador	25
Consejos de limpieza del horno	25
Termostato del horno y tiempo de cocción	25
Recomendaciones de mantenimiento y limpieza	26
Consejos para solucionar problemas	27
Diagramas de cableado	29

Servicio al cliente

Gracias por comprar una cocina FORNO. Antes de usarla por primera vez, lea la guía del usuario en su totalidad. Si es un cocinero ocasional o un cocinero profesional, le será útil familiarizarse con las recomendaciones de seguridad, características, operación y mantenimiento de su cocina.

El número de modelo y de serie se muestran en el panel frontal del producto. Para su garantía, también necesitará la fecha de compra.

Tenga en cuenta la información a continuación para futuras referencias.

INFORMACIÓN SOBRE EL SERVICIO

Número de modelo

Número de serie

Fecha de compra

Dirección y teléfono de compra

Para toda correspondencia o llamada de servicio relacionadas con su cocina, use estos números.

Si recibió una cocina defectuosa, comuníquese inmediatamente con el distribuidor (o fabricante) que le vendió la cocina.

Ahorre tiempo y dinero. Antes de llamar a un técnico, consulte la guía de solución de problemas. Ahí puede encontrar las causas de los problemas menores de uso que podría solucionar usted mismo.

SERVICIO AL CLIENTE EN CANADÁ:

Tenga a mano la guía del usuario para responder sus preguntas. Si no entiende algo o necesita ayuda, comuníquese con nuestro servicio al cliente al 1-800-561-7265

O por correo electrónico: service@distinctive-online.com

SERVICIO EN ESTADOS UNIDOS:

Mantenga el manual de instrucciones a mano para responder sus preguntas. Si no entiende algo o necesita más ayuda, llame a nuestro Servicio al Cliente:: 1-866-231-8893

O por correo electrónico : info@forno.ca

Si su cocina necesita mantenimiento o servicio, asegúrese de llamar a un proveedor autorizado por el fabricante FORNO, recomendado por nuestro centro de atención al cliente. Garantizamos cuidadosamente la capacitación y la selección de todos los proveedores de servicios certificados por la fábrica

INFORMACIÓN PARA EL CLIENTE

Seguridad de la cocina

Su seguridad y la de los demás son muy importantes.

Esta guía y el propio artefacto proporcionan muchos mensajes de seguridad importantes. Lea y aplique todos los mensajes de seguridad.



Este es un símbolo de alerta de seguridad que le advierte sobre posibles riesgos de seguridad para las personas o para la propiedad. Respete todos los mensajes de seguridad para evitar daños a la propiedad, lesiones corporales, incluso la muerte.



ADVERTENCIA

ADVERTENCIA indica una situación potencialmente peligrosa que, si no se evita, podría provocar la muerte o lesiones graves.



PRECAUCIÓN

PRECAUCIÓN indica una situación de peligro moderado que, si no se evita, podría provocar lesiones leves o moderadas.

Todos los mensajes de seguridad le alertarán sobre el peligro potencial y cómo reducir el riesgo de lesiones y le dirán qué puede suceder si no sigue las instrucciones.



ADVERTENCIA

Si no sigue minuciosamente la información y consejos en esta guía, puede ocurrir un incendio o explosión y causar daños a la propiedad, lesiones graves o la muerte.

No almacene ni use gasolina u otros vapores y líquidos inflamables cerca de este o cualquier otro electrodoméstico.

→ ¿QUÉ DEBE HACER SI HUELE A GAS?

- No active ningún artefacto.
- No toque ningún interruptor eléctrico.
- No use ningún teléfono en su edificio.
- Llame inmediatamente a su proveedor de gas usando el teléfono de algún vecino externo. Siga las instrucciones del proveedor de gas.
- Si no puede contactar a su proveedor de gas, llame al departamento de bomberos.

La instalación y el servicio deben llevarse a cabo por un instalador, un centro de servicio o proveedor de gas calificado.

Dispositivo Antivuelco



ADVERTENCIA

Riesgo de vuelco

Un niño o un adulto puede inclinar la cocina y esto puede causar lesiones graves o la muerte.

Instale el dispositivo antivuelco en la cocina y / o la estructura de acuerdo con las instrucciones de instalación.

Acople la cocina al dispositivo antivuelco instalado en la estructura.

Si se mueve la cocina, vuelva a reacomodar el dispositivo antivuelco.

Si no se siguen estas precauciones, la muerte o lesiones graves y / o quemaduras pueden ocurrir en niños y adultos.

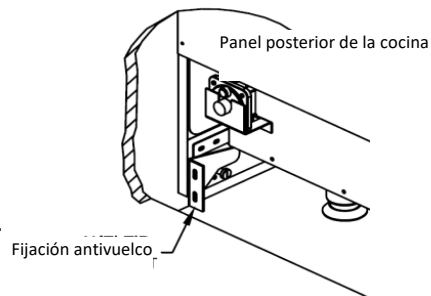
La cocina debe asegurarse con un dispositivo antivuelco correctamente instalado para reducir el riesgo de vuelco. Consulte las instrucciones de instalación que vienen con el documento adjunto para más detalles antes de comenzar la instalación.

Todas las cocinas pueden volcarse y causar lesiones.

Asegúrese de que el soporte antivuelco esté instalado:

Deslice la cocina hacia adelante.

Asegúrese de que el soporte antivuelco esté correctamente sujetado a la pared detrás de la cocina.



Propuesta 65 para residentes de California
Cáncer y trastornos relacionados con la reproducción.
www.P65Warnings.ca.gov

INFORMACIÓN IMPORTANTE DE SEGURIDAD

LEA TODA LA INFORMACIÓN ANTES DE USAR EL DISPOSITIVO



ADVERTENCIA


Lea todas las instrucciones de seguridad antes de usar el producto. No cumplir estas instrucciones puede provocar incendios, descargas eléctricas, lesiones graves o la muerte.

INSTRUCCIONES GENERALES DE SEGURIDAD



ADVERTENCIA

Nunca use esta cocina como un dispositivo calentador para calentar la habitación. Esto podría provocar intoxicación por monóxido de carbono y un sobrecalentamiento del horno.

1. Utilice esta cocina para los fines indicados y descritos en esta guía del usuario.
2. Un instalador calificado debe instalar su cocina con una conexión a tierra adecuada según las instrucciones de instalación provistas.
3. Cualquier ajuste o mantenimiento puede ser realizado solamente por un instalador o técnico calificado para cocinas a gas. No intente reparar ni reemplazar ninguna parte de su cocina a menos que se recomiende específicamente en esta guía.
4. Su cocina viene de fabricación configurada para uso con gas natural o gas propano (LP). Puede convertirse para su uso con cualquiera de los dos. Estos ajustes debe realizarlos un técnico calificado según las instrucciones de instalación y los códigos locales, de ser necesario. La agencia que realice este trabajo asume la responsabilidad de la conversión.
5. Solicite al instalador que indique dónde se ubica la válvula de cierre de gas de la cocina y cómo cerrarla, de ser necesario.
6. Conecte su cocina a un tomacorriente con conexión a tierra de 120 voltios solamente. No retire la clavija de tierra redonda del enchufe. Si tiene dudas sobre la conexión a tierra del sistema eléctrico de su hogar, es su responsabilidad y obligación quitar un tomacorriente sin conexión a tierra de acuerdo con el Código Nacional de Electricidad. No debe usar un cable de extensión con esta cocina.
7. Antes de realizar cualquier mantenimiento, desconecte la cocina o la fuente de alimentación del panel de distribución en el hogar, retirando el fusible o cortando el disyuntor.
8. Asegúrese de retirar todo el material de embalaje de la cocina antes de usarla para evitar cualquier combustión del material.
9. Evite rayar o golpear los paneles de vidrio ya que esto puede romper el vidrio. No cocine en un artefacto con un vidrio roto. Se pueden producir descargas eléctricas, incendios o cortes.
10. No deje a los niños solos o desatendidos en un área donde se usa esta unidad. Nunca se les debe permitir subir, sentarse o pararse en ninguna parte de la cocina.
11.  PRECAUCIÓN No almacene nada que pueda interesarle a los niños en los gabinetes ubicados sobre el horno. Los niños pueden subir al horno para alcanzarlos y podrían lesionarse gravemente.
12. Nunca bloquee las rejillas de ventilación de la cocina. Suministre entradas y salidas de aire necesarias para el buen funcionamiento de la cocina con una combustión adecuada. Las aperturas de ventilación se encuentran en la parte posterior de la cocina, en la parte superior e inferior de la puerta del horno y en la parte inferior de la cocina.
13. Utilice solo agarraderas secas. Las agarraderas mojadas en superficies calientes pueden causar quemaduras de vapor. No permita que las agarraderas toquen los quemadores de superficie, la rejilla del quemador o los calentadores de horno. No use servilletas ni otras telas gruesas en lugar de agarraderas.

14. No toque los elementos calefactores ni las paredes interiores del horno. Incluso si las superficies son de color oscuro, pueden estar lo suficientemente calientes como para causar quemaduras. Durante y después del uso, no toque ni deje que la ropa u otros materiales inflamables entren en contacto con el interior del horno. Deje suficiente tiempo para que se enfríe. Otras superficies de la cocina pueden calentarse excesivamente y causar quemaduras. Las superficies potencialmente calientes incluyen los quemadores, las parrillas, la abertura de ventilación del horno, las superficies cercanas a la abertura, las hendiduras alrededor de la puerta del horno, los elementos decorativos metálicos sobre la puerta, cualquier rejilla posterior o la superficie del estante superior.
15. No caliente recipientes de comida cerrados. La presión podría aumentar y el recipiente podría explotar y provocar lesiones.



ADVERTENCIA

Extremadamente pesado

Se necesita un equipo y mano de obra adecuados para movilizar la cocina a fin de evitar lesiones corporales o daños a la unidad o al piso.

Ignorar estos consejos puede provocar daños o lesiones.



ADVERTENCIA

¡NO transporte ni levante la cocina por la manija de la puerta del horno o el panel de control!



Correcto



Incorrecto



**ADVERTENCIA****INSTRUCCIONES GENERALES DE SEGURIDAD (continuación)**

Cocine bien los alimentos para protegerse de las enfermedades que puedan transmitirse en ellos. Las recomendaciones mínimas de temperatura de cocción de alimentos seguros están disponibles en www.IsItDoneYet.gov y www.fsis.usda.gov. Use un termómetro para alimentos para medir la temperatura de los alimentos en varios lugares.

No permita que nadie se suba, se pare o se cuelgue de la puerta, el cajón o la cocina del horno. Esto podría dañar la cocina, podría volcarse y causar lesiones graves o la muerte. Mantenga la campana del ventilador y el filtro de grasa limpios para mantener una buena ventilación y evitar incendios ocasionados por la grasa. **APAGUE** el ventilador en caso de incendio o uso intencional de alcohol u otra gasolina para el flambeado de alimentos. Si el ventilador está encendido, podría propagar las llamas.

**ADVERTENCIA****MANTENGA LOS MATERIALES INFLAMABLES LEJOS DE LA COCINA
De lo contrario, puede provocar un incendio o lesiones.**

No almacene ni use materiales inflamables en el horno o cerca de la placa de cocción. Estos incluyen papel, plástico, agarraderas, telas, revestimientos de paredes, manteles, cortinas y combustible u otros líquidos y vapores inflamables.

Al usar este artefacto, nunca use ropa suelta o colgante. Si estas prendas entran en contacto con superficies calientes, pueden encenderse y causar quemaduras graves.

No permita la acumulación de aceite de cocina u otras sustancias inflamables dentro o cerca de la cocina.

La grasa en el horno o en la placa de cocción puede encenderse.

**ADVERTENCIA****EN CASO DE INCENDIO, TOMA LAS SIGUIENTES MEDIDAS PARA
EVITAR LESIONES Y LA PROPAGACIÓN DEL FUEGO.**

No utilice agua en incendios ocasionados por la grasa. Nunca agarre una cacerola en llamas. Detenga el funcionamiento de la cocina. Apague una cacerola u olla ardiente sobre un elemento de la superficie cubriéndola completamente con una tapa, bandeja para hornear o bandeja plana que se ajuste bien. Use un extintor multipropósito con polvo químico o espuma.

En caso de incendio en el horno durante la cocción, apague el fuego cerrando la puerta del horno y apagándolo o utilizando un extintor de incendios de espuma o químico multipropósito. Si ocurre un incendio en el horno durante la autolimpieza, apague el horno y espere a que el fuego se disipe.

No fuerce la apertura de la puerta. El introducir aire fresco a temperaturas de autolimpieza puede provocar una explosión de llama en el horno. Ignorar estas instrucciones puede causar quemaduras graves.

**ADVERTENCIA****INSTRUCCIONES DE SEGURIDAD PARA LA PLACA DE COCCIÓN**

Nunca deje los quemadores desatendidos a un nivel de calor medio o alto. Los alimentos, especialmente los alimentos grasos, pueden encenderse y provocar un incendio que podría extenderse a los gabinetes cercanos.

Nunca deje el aceite desatendido mientras fríe. Si se calienta por encima de su punto normal, el aceite puede encenderse y provocar un incendio que puede extenderse a los gabinetes cercanos. Use un termómetro para freír, siempre que sea posible, para controlar la temperatura del aceite.

Para evitar derrames de aceite o incendios, use un mínimo de aceite al freír en una cacerola poco profunda y evite cocinar alimentos congelados que contengan cantidades excesivas de hielo.

Use una cacerola del tamaño adecuado y evite cacerolas inestables o fácilmente inclinables. Seleccione un utensilio de cocina que coincida con el tamaño del quemador. Las llamas de los quemadores deben ajustarse para que no excedan el fondo de la cacerola. Las llamas excesivas pueden ser peligrosas.

Cuando use utensilios de cocina de vidrio/cerámica, asegúrese de que sean adecuados para la cocina; algunos pueden romperse debido a un cambio repentino de temperatura.

Para minimizar el riesgo de quemaduras, combustión de materiales inflamables y derrames, las manijas de las cacerolas deben girarse hacia el centro de la cocina sin extenderse sobre los quemadores adyacentes.

No use un wok con un soporte de metal redondo. El anillo puede atrapar el calor y bloquear el aire en el quemador. Esto representa un riesgo de monóxido de carbono.

No intente levantar la placa de cocción. Puede dañar las tuberías de gas de los quemadores de la superficie, lo que provocaría fugas de gas y un peligro de incendio.

No use papel de aluminio para cubrir las rejillas ni cubrir una parte de la cocina. Esto podría provocar intoxicación por monóxido de carbono, sobrecalentamiento de las superficies de la cocina o peligro de incendio.

**ADVERTENCIA****INSTRUCCIONES DE SEGURIDAD DEL HORNO**

NUNCA cubra las ranuras, agujeros o pasajes en el fondo del horno ni cubra una parrilla completa con materiales como papel de aluminio o revestimientos para hornos. Esto bloquea el flujo de aire hacia el horno y puede causar una intoxicación por monóxido de carbono. Nunca coloque papel de aluminio o revestimiento en el fondo del horno. Pueden atrapar el calor y provocar un riesgo de humo o fuego.

Manténgase alejado de la cocina cuando abra la puerta del horno. Las fugas de aire caliente o vapor pueden causar quemaduras en las manos, la cara y/o los ojos.

Nunca coloque utensilios de cocina, pizzas o piedras para hornear, ni ningún tipo de papel de aluminio o rejillas en el piso del horno. Estos elementos pueden atrapar el calor o derretirse, lo que puede dañar el producto y provocar una descarga, humo o fuego.

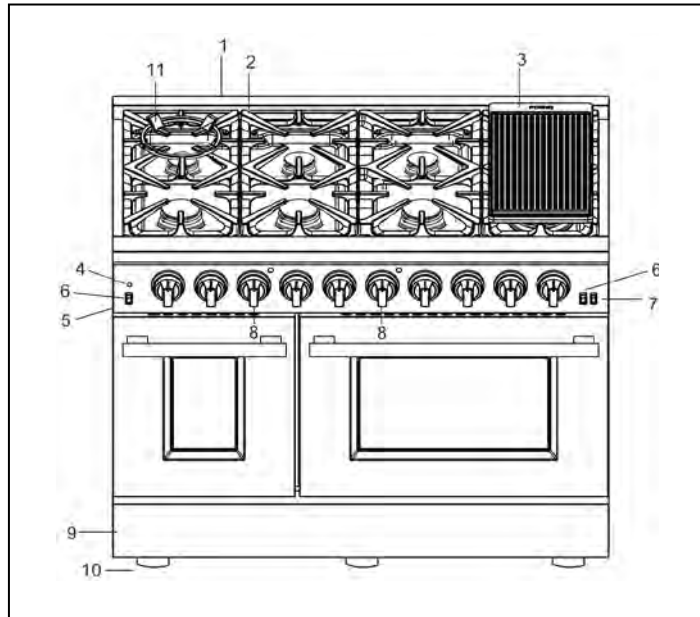
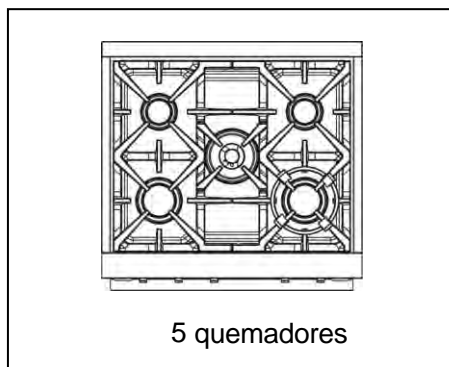
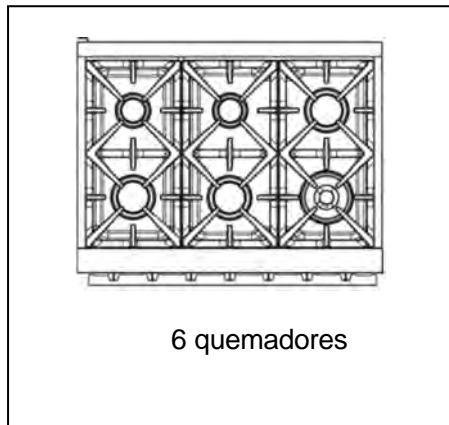
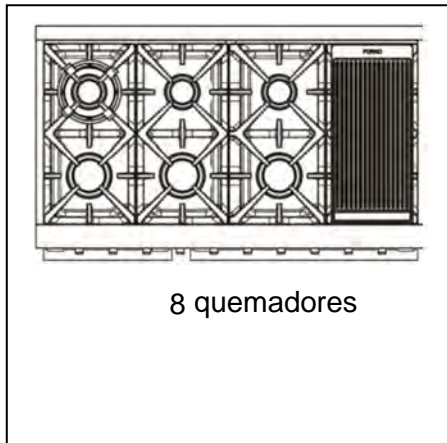
Coloque las parrillas del horno en el lugar deseado mientras el horno esté frío. Si debe mover la parrilla mientras el horno está caliente, tenga cuidado de no tocar las superficies calientes.

No deje objetos como papel, utensilios de cocina o alimentos en el horno cuando no esté en uso. Los artículos almacenados en un horno pueden encenderse.

No deje objetos en la cocina cerca de la ventilación del horno. Los artículos pueden sobrecalentarse y provocar un riesgo de incendio o quemaduras.

Nunca use la función de asado con la puerta del horno abierta. No se recomienda asar con la puerta abierta debido al sobrecalentamiento de las perillas de control.

Características de su cocina




No todos los modelos tienen todas las características. La apariencia puede variar

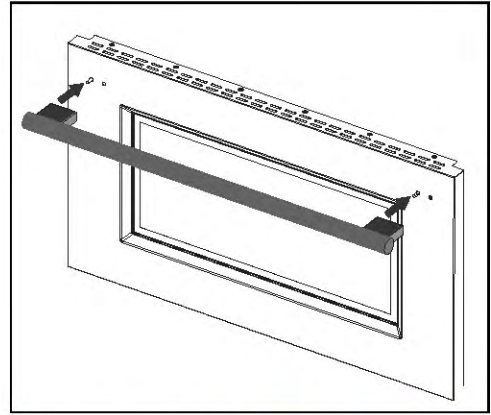
Índice de características	
1	Ventilaciones del horno
2	Rejillas de quemador de la placa de cocción
3	Parrilla de cocina (en algunos modelos)
4	Ojos mágicos (en algunos modelos)
5	Panel de control
6	Luces del horno
7	Ventilador de convección
8	Horno/Asador
9	Panel inferior
10	Sistema de nivelación
11	Soporte de wok

Instrucciones de instalación

Instalación de la manija de la puerta

La manija de la puerta no está preinstalada. Se encuentra en la parte de adelante del paquete. Siga la imagen a continuación para instalar rápida y fácilmente la manija de la puerta.

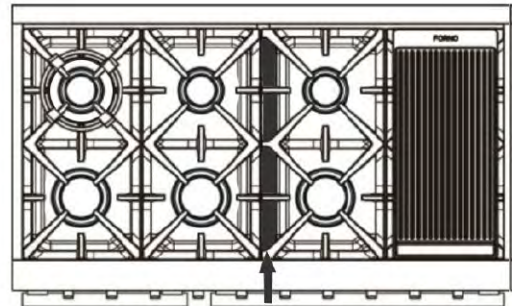
 **ADVERTENCIA** Mantenga la pieza cuadrada de goma del mango para evitar rayar la puerta del horno hasta que este lado esté listo para ser instalado.



1. Retire la pieza de goma redonda negra del interior de la puerta
2. Inserte el destornillador en el orificio y retire la tuerca del tornillo del exterior.
3. Instale la manija con el tornillo expuesto.
4. Repita los pasos 1 a 3 para el otro lado.
5. Vuelva a colocar las piezas redondas de goma negra para cubrir los dos orificios de la puerta interior.

Instalación de las rejillas de los quemadores de la placa de cocción

Retire los materiales de embalaje de las rejillas de los quemadores de la placa de cocción. Coloque las rejillas del quemador en su posición correcta. Preste atención a las rejillas centrales de la derecha, como muestra la imagen, ya que el lado más grueso debe estar a la izquierda. Coloque la rejilla (solo para FFSGS6260-48) y el soporte de wok sobre los quemadores que desee utilizar para cocinar.



Instalación del estante rejilla del horno



Instalación

Cuelgue el estante rejilla en los rieles laterales y empuje hacia adentro lentamente.

	
<i>Desmontaje</i>	Levante el estante rejilla y quítelo lentamente hasta liberarlo de los rieles laterales.

Electricidad

Su cocina debe estar conectada a tierra de acuerdo con los códigos locales o, a falta de códigos locales, de acuerdo con el Código Eléctrico Nacional (ANSI/NFPA 70, última edición). En Canadá, la conexión a tierra debe cumplir con el Código Ambiental Canadiense CSA C22.1, Sección 1 y/o códigos locales. La fuente de alimentación debe tener la polaridad correcta. La polaridad inversa dará como resultado chispas continuas de los electrodos, incluso después de la llama de encendido. Si hay alguna duda sobre si la fuente de alimentación tiene la polaridad correcta o está conectada a tierra, haga que un electricista calificado lo verifique.

REQUERIMIENTOS ELECTRICOS

Alimentación eléctrica	Puesta a tierra, 110/120 V CA, 60 Hz
Servicio	15 A o circuito dedicado de 20 A
Toma	Tipos de conexión a tierra de 3 puntas
Cable de alimentación	1,8 m (6 pi)



ADVERTENCIA **Instrucciones de conexión a tierra eléctrica:** esta cocina está equipada con un enchufe de tres clavijas (con conexión a tierra) para protegerlo contra el riesgo de descarga eléctrica y debe conectarse directamente a un receptáculo de tres clavijas con conexión a tierra.



PRECAUCIÓN La clavija de conexión a tierra del enchufe no se debe cortar ni quitar. Etiquete todos los cables antes de desconectarlos cuando realice el mantenimiento de los controles. Los errores de cableado pueden causar una operación incorrecta y peligrosa. Verifique la operación después del mantenimiento.

Puesta a tierra

El cable de alimentación cuenta con un enchufe de tres clavijas (con conexión a tierra) que se conecta a un tomacorriente estándar con conexión a tierra de tres clavijas para minimizar el riesgo de descarga eléctrica de la cocina.

Todos los dispositivos conectados al cable de alimentación deben tener instrucciones relativas a la ubicación del tomacorriente de pared y advertir al usuario que desconecte la fuente de alimentación antes de reparar la unidad.

Cuando hay un enchufe de pared estándar de dos clavijas, el cliente debe reemplazarlo con un enchufe de pared de tres clavijas con conexión a tierra. No corte ni retire el cable de tierra del cable de alimentación.

Suministro de gas

La instalación debe cumplir con los códigos locales o, en ausencia de códigos locales, con el Código Nacional de Gas Combustible, norma ANSI Z223.1/NFPA 54. En Canadá, la instalación debe cumplir con el estándar actual de código de instalación/gas natural, CAN 1-1.1-M81 y códigos locales cuando corresponda.

Esta cocina ha sido certificada y cumple con la última edición de ANSI Z21.1b-2012.

REQUERIMIENTOS DE GAS

<u>GAS NATURAL</u>	<u>WC</u>
Presión de alimentación	5" (12,5 mb)
Presión mínima de suministro	6"
Presión máxima del regulador	14" (34,9 mb), 0.5 psi (3,5 kPa)
<u>GAS LP</u>	<u>WC</u>
Presión de alimentación	10" (25 mb)
Presión mínima de suministro	11"
Presión máxima del regulador	14" (34,9 mb), 0.5 psi (3,5 kPa)

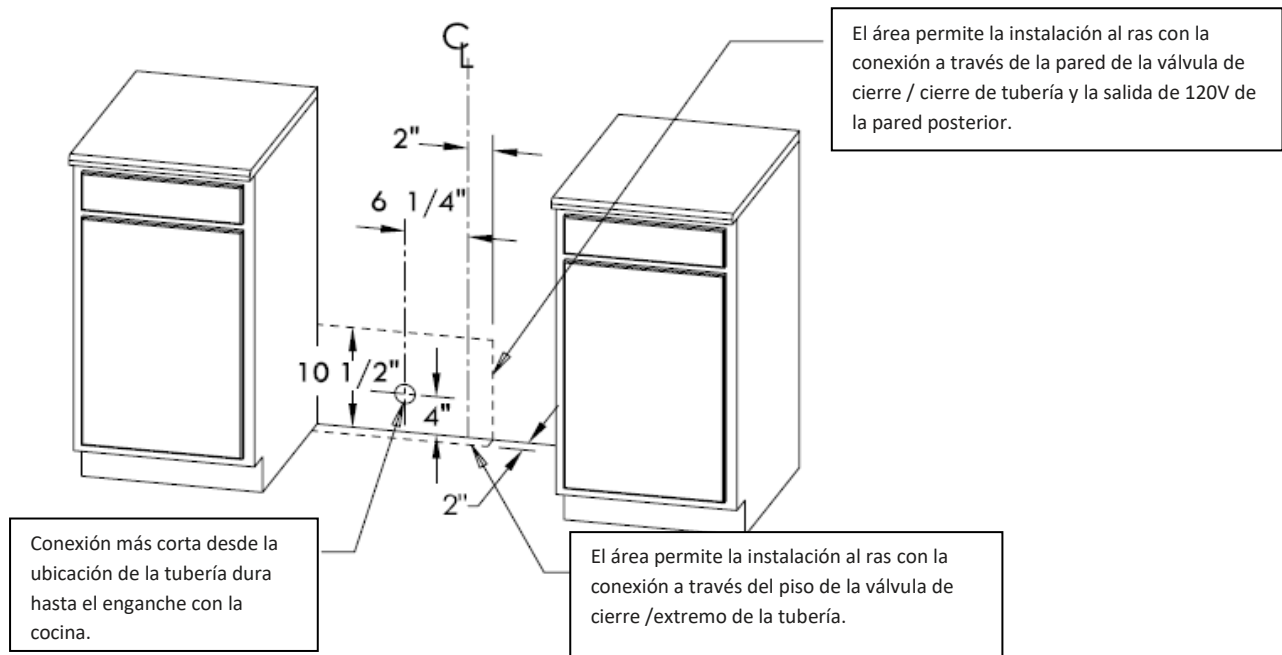


ADVERTENCIA

No obstruya el flujo de aire de combustión dentro de la cocina y el aire de ventilación fuera de la cocina.

Ventilación: Se recomienda utilizar el artefacto con una campana de extracción y de ventilación del cabezal del horno de tamaño y capacidad suficientes.

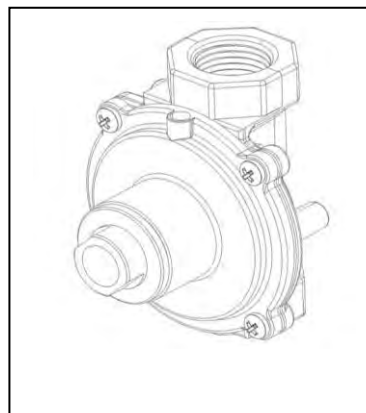
Requisitos de la fuente de alimentación eléctrica.



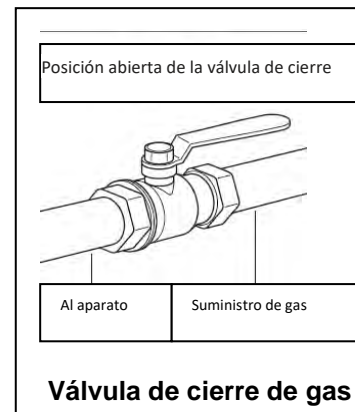
Regulador de presión

Como la presión de operación puede variar según la demanda local, cada cocina de gas debe contar con un regulador de presión en la línea de suministro entrante para un funcionamiento seguro y eficiente. El regulador de presión que viene con la cocina cuenta con dos conectores hembra NPT de 3/4". El regulador debe estar instalado correctamente para que sea accesible cuando se instale el aparato en su posición final.

El regulador de presión puede soportar una presión de entrada máxima de 3.5 kPa (0.5 psi) y se ajusta a una presión de salida de 5".



Regulador de presión



Válvula de cierre de gas

La línea de suministro debe contar con una válvula de cierre de gas externa aprobada que se ubique cerca de la cocina en un lugar accesible. No bloquee el acceso a la válvula de cierre. Puede consultar la imagen.

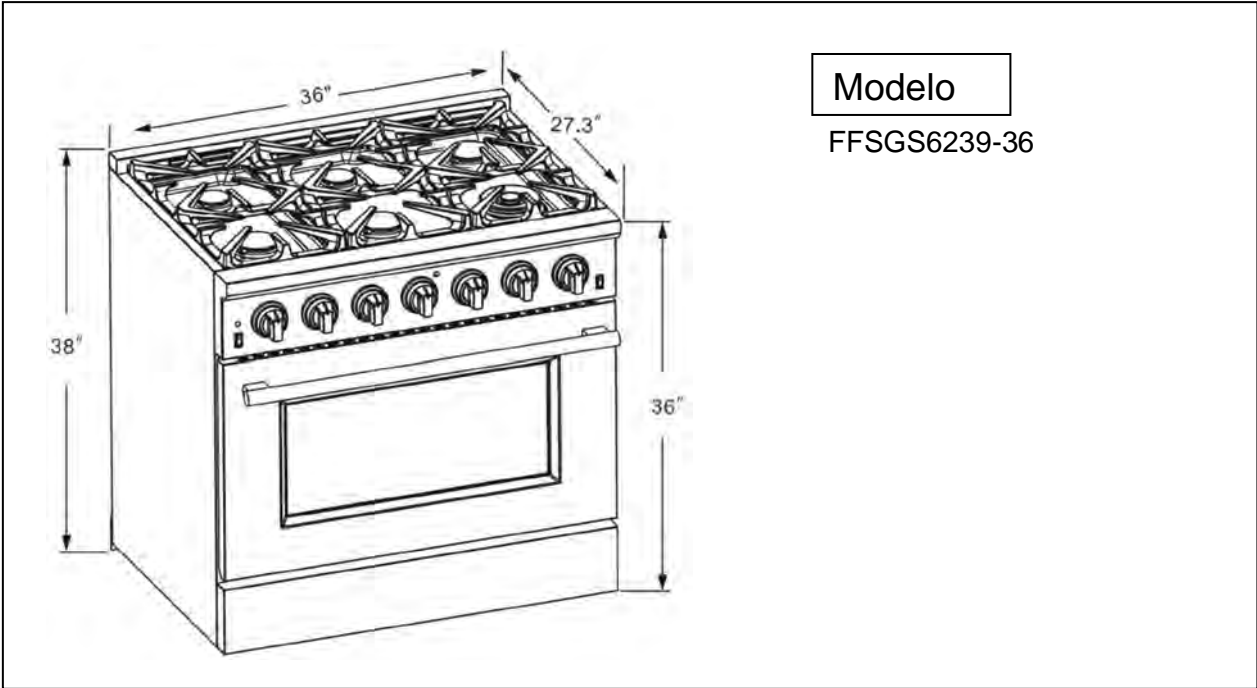
Toda cocina debe contar con una línea de suministro de gas de diámetro interno de 3/4". (19). Si los códigos locales lo permiten, se recomienda utilizar un conector de metal flexible certificado de 3 pies (0,9 m) de largo, 1/2". (13) o 3/4". (19) para conectar la entrada hembra NPT de 1/2". desde la unidad a la línea de suministro de gas. Se deben utilizar compuestos para juntas de tuberías adecuados para su uso con gas natural o gas LP. El artefacto y su válvula de cierre deben desconectarse del sistema de tuberías de suministro de gas durante alguna prueba de presión del sistema a presiones de prueba superiores a 0,5 psi (3,5 kPa). El aparato debe aislarse del sistema de tuberías de suministro de gas cerrando su válvula de cierre manual individual durante cualquier prueba de presión del sistema a presiones de prueba iguales o menores a 0.5 psi (3.5 kPa).

Dimensiones del producto y gabinetes



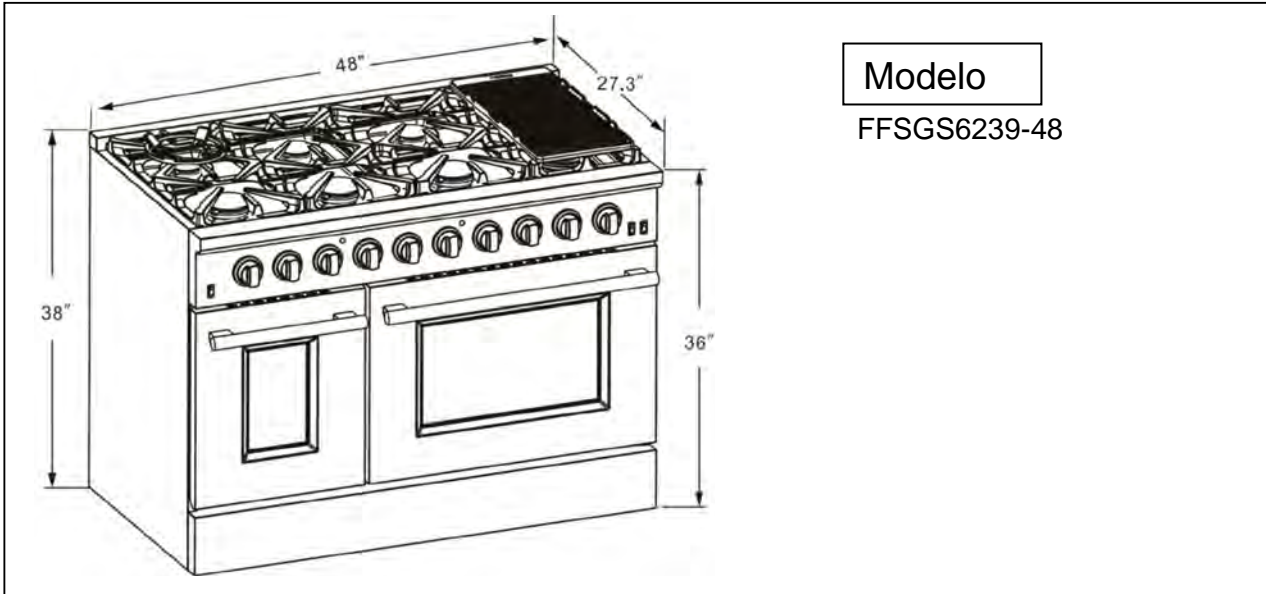
Modelo

FFSGS6239-30



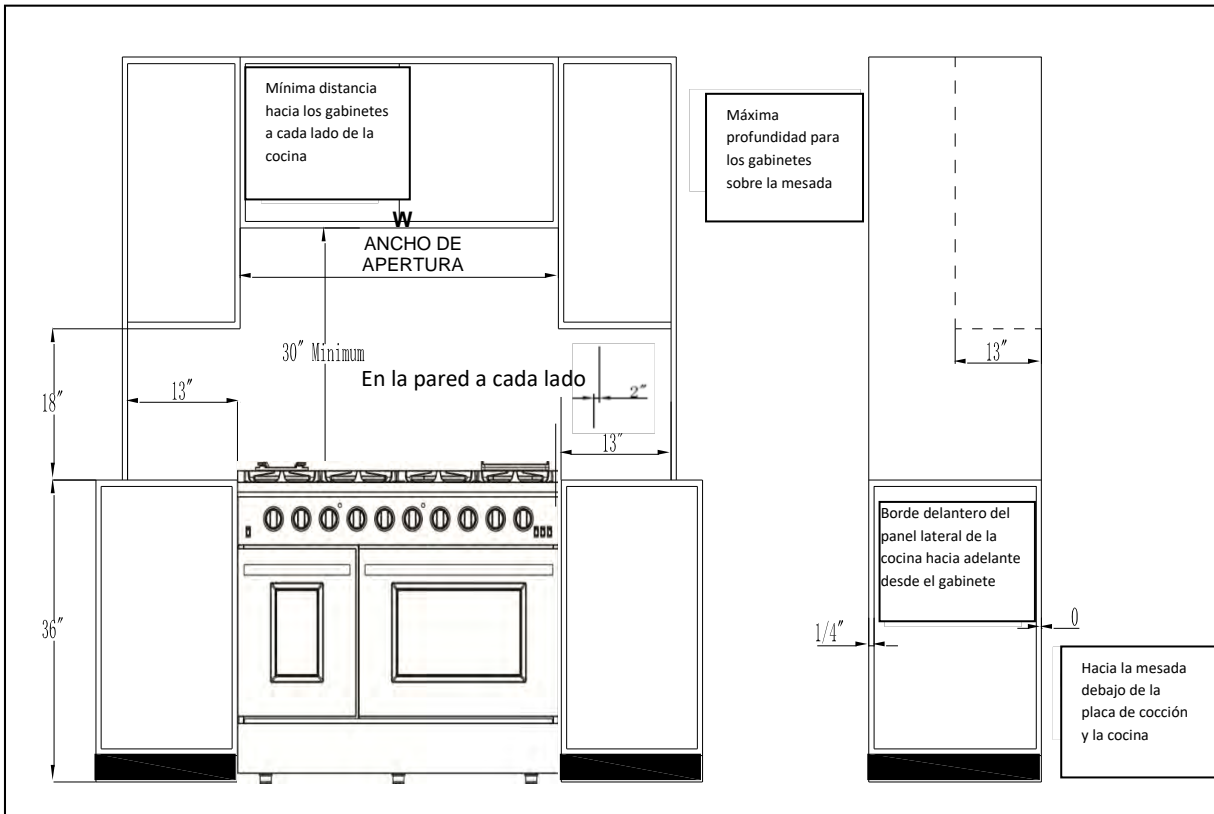
Modelo

FFSGS6239-36



Modelo
FFSGS6239-48

Esta cocina puede instalarse directamente al lado de los gabinetes existentes a una altura de mostrador (36 po o 91.5 cm del piso). Para lograr la mejor apariencia posible, la cocina debe estar al ras de la mesada del gabinete. Esto puede lograrse levantando la unidad usando las barras de ajuste sobre los pies.



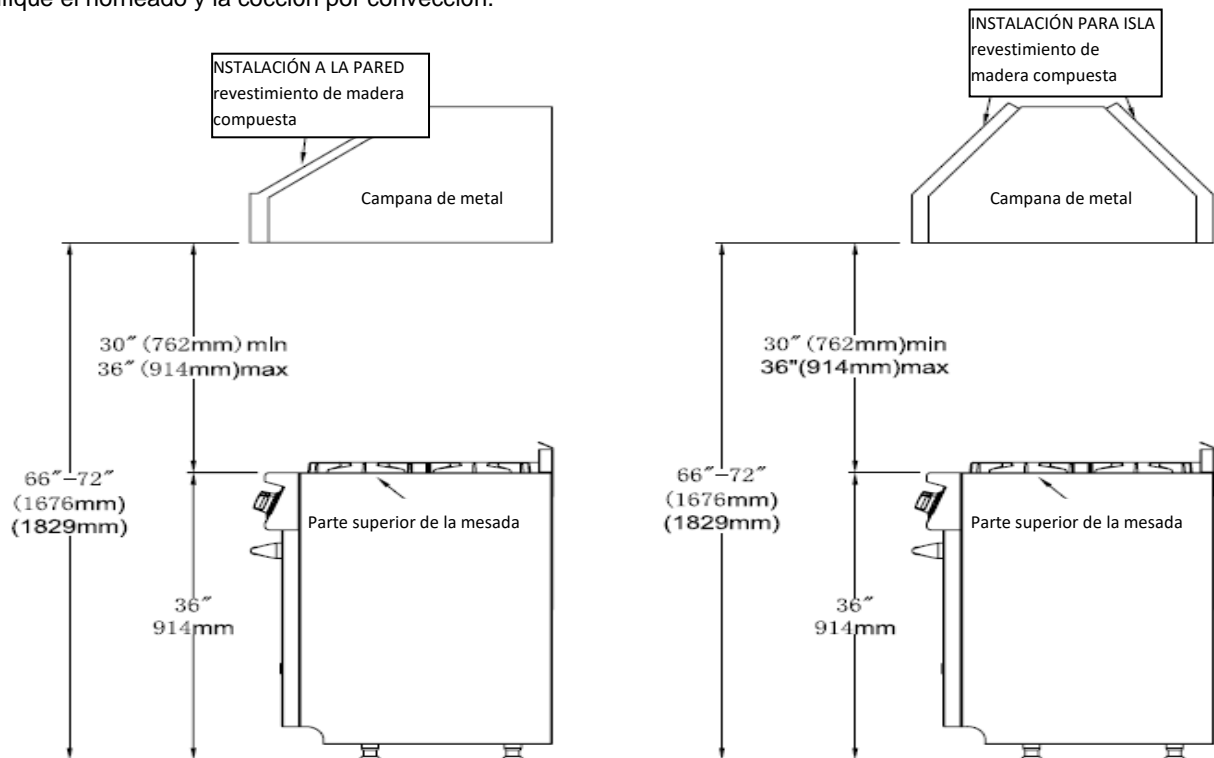
ANCHO DE APERTURA	Ancho
Modelo de 30".	30".(762)
Modelo de 36".	36" (914)
Modelo de 48".	48".(1219)

Instalación de la campana extractora

La parte inferior de la campana debe estar entre 30" y 36" por encima de la placa de cocción. Esto generalmente significa que la parte inferior de la campana está entre 66" y 72" sobre el piso. Estas dimensiones permiten el funcionamiento seguro y eficiente de la campana.

Después de la instalación:

1. Verifique el encendido de los quemadores en la cocina.
2. Compruebe la configuración del obturador de aire: llama azul brillante, sin parpadeo amarillo ni llama danzante.
3. Compruebe el encendido del quemador del horno.
4. Verifique visualmente el reencendido del quemador tubular (quemador del horno) para asegurarse de que ambas filas de puertos del quemador se vuelvan a encender cada vez.
5. Compruebe si hay fugas de gas en todas las conexiones de gas (utilizando un detector de gas, nunca con una llama).
6. Verifique el horneado y la cocción por convección.



Operación de conversión de gas

Esta cocina se puede usar con gas propano líquido y gas natural. De fabricación, está configurada para su uso con gas natural (GN). Se incluyen boquillas de conversión. Para la conversión de gas, siga las siguientes instrucciones:



ADVERTENCIA

La conversión de gas debe ser realizada por un profesional capacitado en fábrica. Llame al servicio al cliente cercano para identificar a uno de los profesionales capacitados.



ADVERTENCIA

Antes de realizar esta operación, desconecte la cocina de gas y la electricidad.

El procedimiento de conversión a gas para esta cocina incluye 8 pasos

1. Regulador de presión
2. Quemadores de la cocina
3. Quemador del horno
4. Quemador de parrilla
5. Válvulas de gas
6. Reconexión del suministro de gas y electricidad
7. Quemador del horno con obturador de aire
8. Instalación de una nueva etiqueta de evaluación

La conversión se completa solamente siguiendo los 8 pasos correctamente.

Antes de realizar la conversión de gas, identifique el embalaje que contiene las boquillas de repuesto suministradas con cada cocina.

ETAPA 1: Regulador de presión

Para acceder al regulador de gas, aleje la cocina de la pared del gabinete. El regulador de gas está ubicado en la esquina inferior derecha de la cocina.



ADVERTENCIA

Puede producirse un riesgo de descarga eléctrica y provocar lesiones o la muerte. Desconecte la alimentación de la cocina antes de iniciar el mantenimiento. No retire el regulador ni lo deje funcionar durante el mantenimiento.

a. Desenrosque la tapa del regulador. No retire el resorte del regulador.

b. Desenrosque el inserto de la tapa y dele la vuelta para que el perno más largo quede en dirección a la tapa. Vuelva a colocar el inserto en la tapa. Vuelva a colocar la tapa en el regulador.



Posición para GN



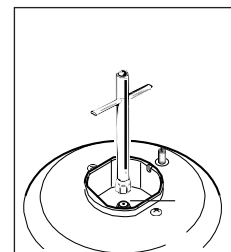
Posición para PL

ETAPA 2: Quemadores en la placa de cocción

a. Retire las parrillas de cocción, las tapas de los quemadores y los anillos internos del quemador.

b. Levante las cabezas externas del quemador y las bases del quemador.

c. Retire las boquillas de gas natural instaladas de fábrica del centro de los porta boquillas con una llave de tubo de 7 mm. Vuelva a colocar la boquilla PL en cada soporte de boquilla. Apriete cada boquilla hasta que quede ajustada, pero no apriete demasiado.



Llave de tubo



PRECAUCIÓN

Tenga cuidado al retirar y reemplazar los componentes de gas. Tome las medidas adecuadas para evitar daños a los componentes.

IMPORTANTE: Cada boquilla tiene un número impreso en el cuerpo que indica su diámetro de flujo. Consulte la tabla a continuación para ver las boquillas y quemadores correspondientes.

GN 1,33 1,38*2+0,75 1,33
 GPL 0,93 0,9*2+0,46 0,93



GN 1,75 1,75
 GPL 1,18 1,18

Modelo: FFSGS6239-30

GN 1.33 1.33 1.33 1.75
 GPL 0.93 0.93 0.93 1.18



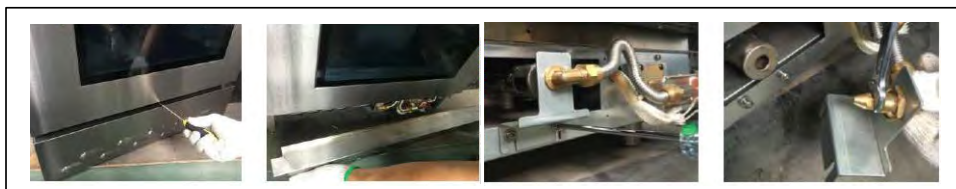
GN 1.75 1.75 1.75 1.38*2+0.75
 GPL 1.18 1.18 1.18 0.9*2+0.46

Modelo: FFSGS6239-48

IMPORTANT: IMPORTANTE: Conserve las boquillas que ha retirado de la cocina para un uso posterior.

ETAPA 3: Quemador de horno

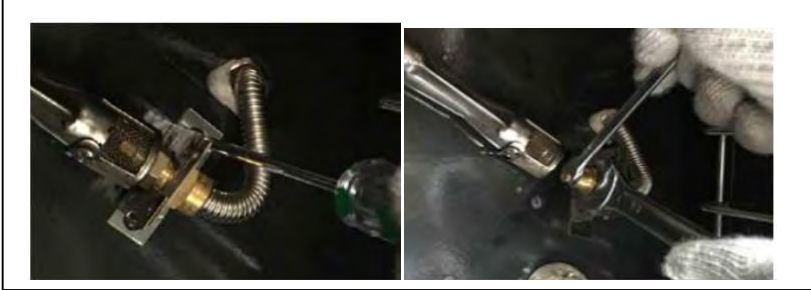
- a. Retire los 3 tornillos entre el panel de protección y la puerta del horno. Sostenga el panel inferior en ambos extremos y lentamente tire de él hacia adelante.
- b. Retire los 2 tornillos que sujetan el soporte de la boquilla e identifique la boquilla. Reemplace con una boquilla de quemador de horno de 1.32 mm y apriete. Vuelva a colocar el soporte de la boquilla alineando la nueva boquilla con el obturador de aire del quemador del horno. Repita estos pasos para un horno de 18" (rango de 48" solamente).



		Modelo:FFSGS6239-30	Modelo:FFSGS6239-36	Modelo:FFSGS6239-48
Horno	GN	2.2	2.2	2.2
	GPL	1.39	1.39	1.39
Horno 18"	GN			1.7
	GPL			1.12

ETAPA 4: Quemador de asador

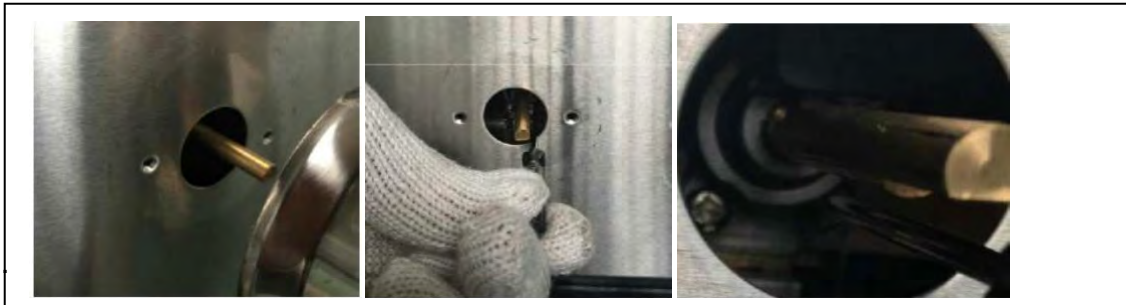
- a. Retire los 2 tornillos que sujetan el soporte de la boquilla e identifique la boquilla.
- b. Con una llave abierta de 5/8" o 19 mm, retire el conducto de gas del soporte de la boquilla. Retire la boquilla del soporte del orificio con una llave abierta de 1/2". Reemplace con una boquilla para hornos de 0.94 mm.



		Modelo:FFSGS6239-30	Modelo:FFSGS6239-36	Modelo:FFSGS6239-48
Asador	GN	1.38	1.38	1.38
	GPL	0.94	0.94	0.94

ETAPA 5: Válvula de gas

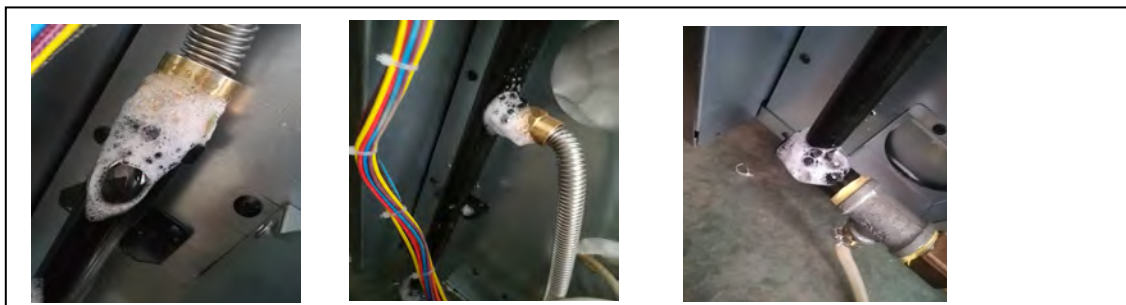
- a. Retire las perillas de control.
- b. Con un destornillador plano, ajuste los chorros de derivación del quemador principal hacia un 1/4 del círculo de propano hasta que la llama sea normal.



PASO 6: Reconecte el suministro de gas y electricidad.

Las pruebas de fugas en la cocina deben realizarse según las instrucciones de instalación que vienen con la cocina.

Antes de usar la cocina después de la conversión de gas, siempre verifique si hay fugas con una solución de agua jabonosa u otro método aceptable en todos los accesorios de gas entre la tubería de entrada de gas de la cocina, el regulador de gas y la válvula de cierre manual.



¡NO use una llama para verificar si hay fugas de gas!

ETAPA 7: Quemador de horno con obturador de aire (opcional)

Podría ser necesario ajustar el obturador de aire del quemador del horno, especialmente si la unidad se ha convertido para usar con el PL. La altura aproximada de la llama del quemador es de una pulgada (llama azul interna distintiva).

Para determinar si la llama del quemador del horno es aceptable:

- a. Al retirar la placa de protección, ajuste el horno a 350 °F (177 °C) y observe la llama. Si la llama es amarilla, aumente el tamaño de la apertura del obturador de aire. Si la llama es azul y está lejos del quemador, reduzca el tamaño de la apertura del obturador de aire.
- b. Apague el horno y permita que se enfríe antes de ajustar el obturador de aire. Para el ajuste, afloje el tornillo de bloqueo, vuelva a colocar el obturador de aire y apriete el tornillo de bloqueo. Pruebe el quemador nuevamente repitiendo los pasos anteriores. Cuando la llama del quemador tiene un color azul distintivo y arde continuamente, el obturador de aire ya está correctamente ajustado.

ETAPA 8: Instalación de una nueva etiqueta de evaluación

Anote el modelo y el número de serie en la placa de identificación de PL/Propano provista en este kit. La información está en la placa de identificación existente. Coloque la nueva placa lo más cerca posible de la placa de identificación de la cocina ya existente.

Preparación

Antes de mover la cocina, proteja el acabado del revestimiento del piso y cierre las puertas del horno para evitar que se dañe.

Las puertas del horno pueden ser removidas para aligerar la carga o para pasar la unidad a través de la puerta. Solo retírelas si es necesario. No retire la placa calefactora u otros componentes. Solo un instalador autorizado o un técnico de servicio debe retirar la puerta.

Emplazamiento

No levante ni transporte la puerta del horno por la manija de la puerta. La cocina tiene ruedas traseras que permiten un fácil movimiento al levantar la parte delantera de la unidad.

Use un carrito para electrodomésticos a fin de desplazar la cocina. Retire y recicle los materiales de embalaje. No tire el soporte antivuelco que viene con la cocina.

Nivelación

Eleve la cocina a la altura deseada ajustando los pies. Los pies se pueden ajustar girando el pie hexagonal en sentido horario para levantarlo y en sentido antihorario para bajarlo.

Soporte antivuelco

Para evitar que la cocina se incline hacia adelante, debe instalar el soporte antivuelco. Consulte la imagen en la página 5.

Conexión del suministro de gas

Todas las conexiones a los conductos de gas deben ajustarse con la llave. No apriete demasiado y no permita que los conductos se doblen al apretar.

Una vez realizadas todas las conexiones, verifique que todos los controles de la cocina estén en la posición "OFF" y abra la válvula principal de suministro de gas.

Si utiliza un conector de metal flexible, verifique que no esté doblado. Luego, conecte la línea de suministro de gas al regulador de la cocina. Abra la válvula y verifique si hay fugas colocando una solución de detergente líquido en todas las conexiones de gas. Las burbujas alrededor de las conexiones indican una fuga de gas. Si se produce una fuga, cierre la válvula de cierre y ajuste las conexiones.

Las pruebas de fugas del dispositivo deben realizarse siguiendo las instrucciones del fabricante. Use agua jabonosa (50% de agua y 50% de jabón) o un detector de fugas en todas las juntas y conexiones para verificar si hay fugas en el sistema. No use una llama para verificar si hay fugas de gas.

El aparato debe aislarse del sistema de tuberías de suministro de gas del edificio cerrando su válvula de cierre manual individual durante cualquier prueba de presión del sistema de tuberías de suministro de gas a una presión de prueba igual o menor a 0.5 psi (3.5 kPa).

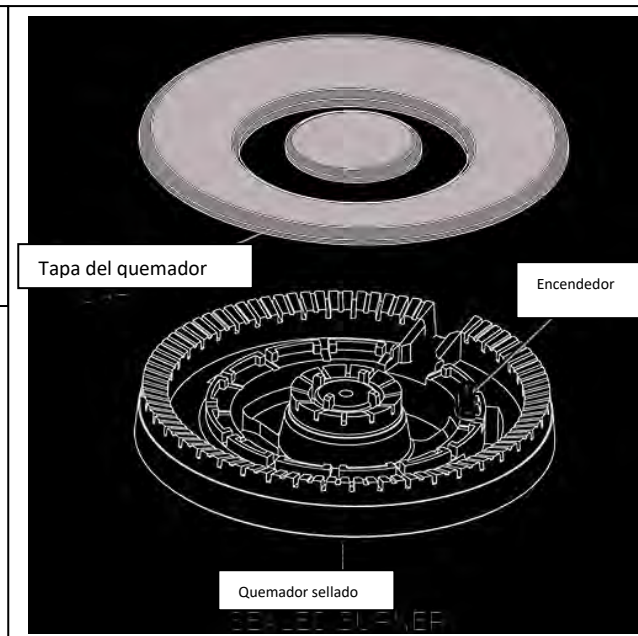
Inicio

Antes de comenzar a cocinar, siga los siguientes pasos.

- Retire el embalaje exterior e interior.
- Retire la película protectora de las piezas de acero y aluminio.
- Limpie a fondo la cocina con agua caliente y un detergente suave. Enjuague y seque con un paño suave para eliminar cualquier aceite o grasa que haya quedado del proceso de fabricación.
- Verifique que los componentes del quemador de superficie estén correctamente ensamblados.
- Organice el interior del horno insertando los estantes y la bandeja.

Funcionamiento de la placa de cocción.

El diseño del quemador reúne todas las partes del quemador en un solo conjunto. La tapa del quemador debe asentarse de manera plana sobre el quemador. Consulte la siguiente ilustración.



Encendido

Para encender los quemadores de la cocina, presione la perilla de control apropiada y gírela en sentido antihorario a la posición "Hi".

Escuchará un clic: el sonido de la chispa eléctrica que enciende el quemador.

Cuando encienda totalmente el quemador, gire la perilla de control del quemador para ajustar el tamaño de la llama. Si la perilla permanece en "Hi", continuará emitiendo un clic.

NOTA: Cuando se coloca un quemador en la posición "Hi", todos los otros quemadores producirán una chispa. No intente desarmar o limpiar alrededor de un quemador mientras otro quemador esté encendido. No toque las tapas de los quemadores, las bases de los quemadores ni los encendedores mientras los encendedores producen chispas.

Configuraciones de calor:

Hi	Para encender los quemadores.
Simmer (Fuego lento)	Para derretir pequeñas cantidades, cocinar al vapor arroz, calentar alimentos, derretir chocolate o mantequilla.
Low (Bajo)	Para derretir grandes cantidades.
Low-Medium (Bajo-Medio)	Para freír a baja temperatura, cocinar a fuego lento grandes cantidades, calentar leche, salsas de crema, salsa.
Medium (Medio)	Para saltar y dorar, brasear, para pan, para mantener una ebullición lenta en grandes cantidades.
Medium-Hi (Medio-Alto)	Para freír a alta temperatura, cocinar en una cacerola, mantener la ebullición lenta en grandes cantidades.
Hi	Para hervir rápidamente un líquido, freír.



PRECAUCIÓN

PRECAUCIÓN: Nunca deje las cacerolas en una configuración alta sin vigilancia. Debe tener cuidado al cocinar alimentos en aceite o grasa; pueden calentarse lo suficiente como para incendiarse.

Cocinar a fuego lento y hervir

Una llama más pequeña proporcionará mejores resultados para hervir a fuego lento. Las llamas pequeñas ofrecen un rendimiento de cocción preciso para alimentos delicados, mantienen los alimentos calientes, funden chocolate o mantequilla y permiten cocinar a fuego lento durante mucho tiempo.

La configuración para llamas más grandes proporciona el calor máximo en su cocina. Esta configuración debe usarse para cocciones más intensas, como hervir agua y cocinar pasta.

Dimensión de la llama

- Cuando seleccione el tamaño de la llama, observe la llama cuando gire la perilla.
- Cualquier llama más grande que el fondo de la cacerola es un desperdicio.
- La llama debe ser estable y de color azul. Algún objeto extraño en la tubería de gas puede causar una llama naranja cuando se usa por primera vez.

Corte de electricidad

- Si el gas no se enciende en cuatro segundos, cierre la válvula y espere al menos cinco minutos para que se disipe todo el gas. Repita el procedimiento de encendido.
- Si no hay electricidad, los quemadores de la superficie pueden encenderse manualmente. Mantenga una cerilla encendida cerca de un quemador y gire la perilla en sentido antihorario para alcanzar la posición "Hi". Una vez que el quemador esté encendido, gire la perilla a la configuración deseada.

Rejillas del quemador

1. Antes de cocinar, deben colocarse correctamente las rejillas. Instalarlas incorrectamente puede rayar la placa de cocción y/o provocar una combustión inadecuada.
2. No utilice los quemadores sin una cacerola o utensilio sobre las rejillas.

Uso de la parrilla (solo disponible en modelos de 48 pulgadas)

Antes de usar la parrilla

1. Limpie a fondo la parrilla con agua tibia y jabón para eliminar el polvo o la capa protectora.
2. Enjuague con agua limpia y limpie con un paño/toalla suave limpio y sin pelusas.

Uso de la parrilla

1. Coloque la parrilla en la posición deseada para cocinar.
2. Precaliente la parrilla durante 10 a 12 minutos.
3. Para obtener más sabor, puede agregar mantequilla o aceite de cocina, luego coloca la comida que va a cocinar.



Precaución

PRECAUCIÓN: la superficie de la parrilla está caliente después de su uso. Antes de limpiarla, espere el tiempo suficiente para que se enfríe.

Consejos para limpiar la placa de cocción

- Para evitar que la placa de cocción se decolore o se manche, límpiela después de cada uso y limpie las salpicaduras ácidas o azucaradas tan pronto como la cubierta se enfríe.
- Los quemadores sellados de su cocina no están unidos a la cocina y están diseñados para ser retirados. Los derrames no se filtrarán debajo de la placa de cocción. Los quemadores deben limpiarse después de cada uso.

Luz del horno



La luz del horno se controla mediante un botón ubicado en el panel de control. Se puede usar esta luz mientras cocina o limpia el horno.



Advertencia

ADVERTENCIA: verifique que la energía esté desconectada de la caja eléctrica antes de reemplazar la bombilla. Deje que el horno se enfríe completamente, luego desenrosque la tapa de la luz y retire la bombilla desenroscándola de la toma. Reemplace con una bombilla halógena de 40 vatios.

Ojos mágicos

El ojo mágico rojo se ilumina automáticamente cuando la habitación se oscurece.

Funcionamiento

del horno

Consejos para hornear

1. Nunca cubra ninguna ranura, agujero o la parte inferior del horno, ni cubra una rejilla completa con materiales como papel de aluminio. Esta acción bloquea el flujo de aire hacia el horno y puede causar envenenamiento por monóxido de carbono. El revestimiento de aluminio también puede atrapar el calor y provocar un peligro de incendio.

No use papel de aluminio sobre ninguna superficie de porcelana. Esto podría dañar la porcelana y afectar su durabilidad.

2. Coloque las rejillas antes de precalentar el horno.

3. Reduzca la temperatura del horno en 14 °C (57.2 °F) cuando hornee en recipientes de vidrio resistentes al calor o de cerámica de vidrio.

Precalentamiento

Precaliente el horno antes de colocar la comida. Es necesario precalentar el horno para obtener buenos resultados al hornear pasteles, galletas, pasteles y panes.

Retire la bandeja asadera antes de precalentar con la parrilla infrarroja. La comida se puede pegar al metal caliente. Para precalentar, gire la perilla "Horno" a la posición "Asar". Espere unos 2 minutos para que el quemador se caliente.

Nota: Es normal que el vidrio de la puerta del horno muestre condensación y ésta generalmente se evapora al final del ciclo de precalentamiento.

Función del horno

La cocción natural ocurre cuando los quemadores transfieren el calor al horno mediante los quemadores ubicados al fondo de la cavidad del horno. El calor luego circula a través de la circulación de aire natural. Esta es la configuración de cocción tradicional.

Horneado por convección

El calor se transfiere desde los quemadores de cocción ubicados en la parte inferior de la cavidad del horno a la cavidad misma del horno. Posteriormente, el ventilador de convección en la parte posterior del horno lo hace circular. Este proceso de convección permite una distribución del calor más uniforme en todo el horno. Es posible usar varias rejillas para cocinar grandes cantidades. La cocción por convección es más rápida y se puede hacer a temperaturas más bajas proporcionando temperaturas más iguales que la cocción normal.

Asado por convección

El ventilador de convección hace circular el aire caliente de manera uniforme sobre y alrededor de los alimentos. Usando la tapa y la asadera provistas, el aire caliente circulará sobre y alrededor de los alimentos asados. El aire caliente sella rápidamente los jugos para obtener un plato suave y tierno mientras dora perfectamente el exterior. Al asar por convección, debe utilizar la bandeja asadera para obtener los mejores resultados de asado por convección. La bandeja asadera se utiliza para capturar salpicaduras de grasa y tiene una tapa para evitar que salpique la grasa.

Descongelamiento por convección

Cuando se desactiva el control de temperatura, el ventilador motorizado ubicado en la parte posterior del horno hace circular el aire. El ventilador acelera la descongelación natural de los alimentos sin calor. No deje que los alimentos se descongelen en el horno por más de dos horas sin cocinar para evitar enfermedades y desperdicio de alimentos.

Deshidratación por convección

Con un control de temperatura de 79.5 °C (175 °F), el aire caliente se irradia desde los quemadores de horno en la parte inferior de la cavidad del horno y circula por un ventilador motorizado en la parte posterior del horno. Después de un tiempo, la comida elimina el agua por evaporación y esta eliminación del agua inhibe el crecimiento de microorganismos y retrasa la actividad de las enzimas.

Funcionamiento del asador

Nota: Durante el funcionamiento del asador, la puerta debe permanecer cerrada.

El quemador del asador se ubica en la parte superior del horno. Este quemador calienta la pantalla de metal hasta que se vuelve brillante. La pantalla iluminada produce calor, dorando el exterior de los alimentos que están en la parrilla y sellando así los jugos. Asar a la parrilla es un método de cocción para cortes tiernos de carne directamente debajo del asador del horno. El asado en el horno se hace con la puerta del horno cerrada. Es normal e incluso necesario lograr algún ahumado para dar sabor a los alimentos.

Ajuste del asador

La perilla "Oven" (horno) controla la funcionalidad del asador. Al asar, el calor se difunde hacia abajo para lograr una cobertura uniforme. La temperatura de la función de asado es de 260 °C (500 °F).

Cuando se usan juntas, la asadera y la rejilla permiten que la grasa gotee y se mantenga alejada del calor intenso de la parrilla del horno. NO use la asadera sin su rejilla. NO cubra la rejilla de la asadera con papel de aluminio. La grasa expuesta podría incendiarse. Para configurar el horno en modo asador:

1. Coloque la rejilla en la bandeja asadera. Luego ponga la comida sobre la rejilla de la bandeja asadera.
2. Ajuste la parrilla del horno y coloque la bandeja asadera sobre la parrilla. Coloque la bandeja asadera en el centro y colóquela directamente debajo del asador. Si primero precalienta el quemador del asador, coloque la bandeja asadera después de precalentarlo.
3. Coloque el selector en "Broil" (asar).

La luz del horno permanece encendida hasta que el selector se apaga o el control de temperatura se apaga.

Coloque la parrilla en el nivel correcto. Cuanto más lejos esté la comida del asador, más se cocinará por dentro. No es necesario precalentar el horno. Presione el botón y gírelo a BROIL (asar). De vuelta la comida a la mitad de cocción. Siempre tire de la rejilla hacia afuera antes de dar vuelta o retirar los alimentos.

Consejos de limpieza del horno

1. Después de cada uso y una vez que el horno esté frío, limpie los derrames y desbordes de inmediato.
2. No deje alimentos con alto contenido de azúcar o ácido en el interior del horno.
3. Use un limpiador de hornos para limpiar toda la cavidad del horno.

Termostato del horno y tiempo de cocción

Los números que aparecen en el panel de control indican el aumento de la temperatura del horno (°F). Para configurar la temperatura, coloque el número deseado con el botón de control.

Nota: La posición de BROIL (asar) es solo para encender el quemador del asador.

El tiempo de cocción puede variar según el tipo de alimento, su densidad y su cantidad. Durante la primera cocción, se recomienda controlar y verificar los resultados ya que se obtienen en general resultados similares al preparar los mismos platos en las mismas condiciones.


Use el termostato para controlar las temperaturas y los tiempos según las guías de cocción.

Recomendaciones de mantenimiento y limpieza

Acero inoxidable	Use un limpiador de acero inoxidable no abrasivo y aplíquelo con un paño suave y sin pelusa. Para resaltar el brillo natural, limpie ligeramente la superficie con un paño de microfibra seguido de un paño de pulido seco. Siga siempre la textura del acero inoxidable.
Rejillas de quemador Guías de rejilla del horno	Quítelos y colóquelos en una superficie plana cerca del lavabo. Lave con agua caliente y detergente suave o con bicarbonato de sodio y agua. No sumergirlos en agua. Secarlos con una toalla.
Bandeja del quemador	Retire los restos de la superficie antes de limpiar para acelerar el proceso y reducir el riesgo de rayar la superficie durante la limpieza. Use limpiadores abrasivos suaves o desengrasantes en aerosol, limpie y enjuague la superficie y seque inmediatamente para evitar rayaduras. Para limpiar las manchas de agua dura, use vinagre blanco y agua. Enjuague y seque inmediatamente.
Quemadores de superficie	Deje que se enfríen. Use un detergente suave o un desengrasante en aerosol para limpiarlos. Enjuague con agua y seque con una toalla.
Perillas de control	Con un paño húmedo, limpie con un detergente suave o un desengrasante en aerosol; enjuague y seque. No las coloque en el lavavajillas.
Interior del horno	Use limpiadores abrasivos suaves y desengrasantes en aerosol. Use una cuchilla de afeitar para levantar suavemente los alimentos cocidos de la cavidad y ventana del horno. Para manchas difíciles, rocíe con un limpiador abrasivo suave o un desengrasante en aerosol. Lave toda la cavidad del horno con agua y jabón para eliminar todos los productos químicos de limpieza.
Bandeja asadera	Para limpiar la rejilla superior, use detergente suave y una esponja. Enjuague y seque. Para limpiar la bandeja inferior, quite la grasa y lave con agua caliente y detergente suave. Enjuague y seque. La rejilla superior de acero inoxidable es apta para lavavajillas. Sin embargo, no coloque la rejilla o bandeja con revestimiento de porcelana en el lavavajillas.

Consejos para solucionar problemas

Antes de llamar al servicio de asistencia

<p>La cocina no funciona</p>	<p>Compruebe que haya energía eléctrica. Compruebe que la energía eléctrica llegue a la cocina y el disyuntor doméstico esté encendido.</p>
<p>Los quemadores no se encienden ni chispean aleatoriamente</p>	<p>El enchufe eléctrico no está enchufado a un tomacorriente activo. El suministro de gas no está activado. Las piezas del quemador no se reemplazaron correctamente. Los agujeros en los anillos de cocción o las ranuras de los quemadores están bloqueados. Las boquillas, los quemadores o los electrodos mojados están obstruidos. Es posible que haya saltado un fusible en su casa o que se haya disparado un disyuntor.</p>
<p>Los quemadores tienen llamas amarillas o amarillas dispersas</p>	<p>Las piezas del quemador no se reemplazaron correctamente. A. Llamas amarillas: llame al servicio. B. Puntas amarillas en conos exteriores: es normal para gas propano (PL). C. Llamas azules suaves: es normal para gas natural.</p>  <p>Si las llamas del quemador se parecen a (A), solicite servicio técnico. Las llamas normales del quemador deben verse como (B) o (C), dependiendo del tipo de gas.</p>
<p>Las llamas de los quemadores son muy grandes o amarillas.</p>	<p>La cocina puede estar conectada a un tipo de combustible incorrecto. Póngase en contacto con la persona que lo instaló o lo convirtió.</p>
<p>Las llamas de los quemadores contienen parpadeos anaranjados.</p>	<p>Polvo suspendido en el aire; humidificador de vapor frío; desechos en o dentro del quemador</p>
<p>Las luces del horno no funcionan</p>	<p>Si la bombilla está defectuosa, reemplácela.</p>
<p>Las rejillas del horno son difíciles de deslizar</p>	<p>No rocíe spray de cocina ni otros lubricantes en aerosol. Lea la información completa sobre Rejillas de horno en la sección Cuidado y limpieza.</p>
<p>La comida no se hornea o se asa correctamente.</p>	<p>Los controles del horno pueden estar configurados incorrectamente. Vea la sección Hornear o asar. El horno no se ha precalentado durante un período suficiente.</p>

	<p>Utensilios de cocina inadecuados o incorrecto tamaño de la cacerola utilizada. Rejillas en la posición incorrecta. Vea la sección Hornear o Asar. Use una cobertura de aluminio para disminuir el dorado mientras cocina.</p> <p>Debe ajustar el termostato del horno. Consulte Configuración del termostato del horno.</p>
Los alimentos no se asan correctamente	<p>Este modelo está diseñado solo para parrillas de puerta cerrada. Cierre la puerta. Siempre ase con la puerta cerrada.</p> <p>Los controles del horno no están configurados para ASAR. Ver la sección ASAR.</p> <p>Posición incorrecta de la parrilla.</p> <p>Los utensilios de cocina no son aptos para asar. Use la asadera y la parrilla provistas con su horno.</p> <p>El papel de aluminio utilizado sobre la bandeja asadera y la parrilla no se instalaron correctamente como se recomendó.</p>
Temperatura del horno demasiado alta o demasiado baja.	Debe ajustarse el termostato del horno. Consulte Configuración del termostato del horno.
Vapor que proveniente de la ventilación	Cuando se usa el modo convección, es normal que salga vapor de la ventilación del horno. A mayor cantidad de rejillas o más alimentos en cocción, aumenta la cantidad de vapor visible.
Olor a quemado o aceite emitido por la ventilación	Esto es normal en un horno nuevo y desaparecerá con el tiempo.
Olor fuerte	Es temporal. Las primeras veces que use el horno, es normal que haya un olor causado por el aislamiento que rodea el interior del horno.
Ventilador de convección no siempre en funcionamiento	El ventilador de convección (según la función utilizada) se puede encender y apagar hasta que se complete la función o se abra la puerta para optimizar el rendimiento. Esto es normal. El ventilador de convección puede girar en sentido horario hasta que se complete la función o se abra la puerta.
Condensación o vidrio de la puerta empañado	Durante el precalentamiento del horno, la condensación o el empañamiento del vidrio de la puerta del horno es normal y generalmente se evaporará al final del ciclo de precalentamiento.
Crujido o explosión durante la limpieza	Es normal. Este es el sonido del metal calentándose y enfriándose durante las funciones de cocción y limpieza.
Humo excesivo durante la limpieza.	El horno está muy sucio. Gire el selector de modo del horno y las perillas de temperatura a OFF (apagado). Abra las ventanas para eliminar el humo de la habitación. Espere hasta que la luz indicadora de puerta cerrada se apague. Remueva el exceso de suciedad y vuelva a limpiar.

Diagramas de cableado

