

Maderno 32" " Right Swing Convertible Refrigerator/Freezer Built-In with Decorative Grill Trim, 13.6 cu.ft.

Model: FFFFD1722-32RS



FEATURES AND BENEFITS

- Convertible from Refrigerator to Freezer
- Total No Frost Technology & Multi Air Flow Capabilities
- Plastic door Bins
- Easy Temperature Conversion °F / °C
- Interior LED lighting
- Total of 4 Adjustable Glass Shelves in Each Compartment
- Total of 3 Crisper Drawers with Silver Trim
- Internal Electronic Touch Control
- VCM stainless steel look door panel
- Stainless-Steel Back Panel
- E-Star Energy rated

APPEARANCE

Advertise Unit Width	32"
Unit style	Upright
Counter-Depth	No
Convertible Refrigerator/Freezer	Yes
Built in / Freestanding	Freestanding
Door color	Stainless Steel
Door liner Material	Yes
Finger print resistant	No
Reversible doors	No
Handle color	Stainless Steel
Case material	Metal
Cabinet liner Material	White HIPS
Shelf material	Glass
Door Bins material	PVC
Door Bins color	Transparent

FEATURES

Control type	Internal Touch Control
Air Flow	Multi Air Flow
Defrost Type	Automatic
Sabbath Mode	No
Vacation Mode / Energy Saver	Yes
Super Cool	No
Super Freeze	No
Door alarm	Yes
Lighting type	LED
Leak Proof Shelves	No
Butter dish Bin	Yes
Leveling legs	Yes
Ice maker	No
Dispenser	No

COMPARTMENT

Capacity (Ft³)	13.6
Interior Dimensions (In.)	21.58"W X 19.96"D X 58.84"H
Temperature Range (°C)	
	Refrigerator 36°F to 46°F
	Freezer - 11°F to 7°F
Adjustable Shelves	3
Shelve Levels	4
Drawers with Silver Trim	3
Standard Door Bins	2
Half Gallon Bins	2
Gallon Bins	None

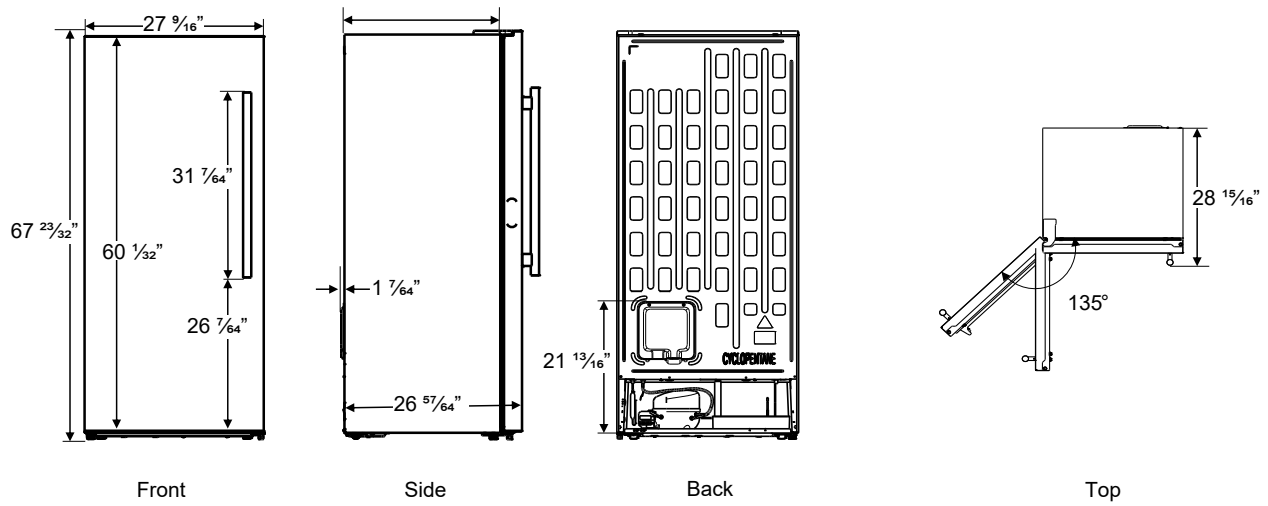
PRODUCT SPECIFICATIONS

Product Dimensions (In.)	27.6"W X 29.7"D X 67.7"H
Product Weight (Lbs.)	165 lbs
Packing Dimensions (In.)	29.7"W X 31.3"D X 181.7"H
Packing Weight (Lbs.)	181.7 lbs

TECHNICAL SPECIFICATIONS

Amperage:	3.8
Volts:	115V
Frequency:	60Hz
Power Cord Length:	1.7m
Receptacle Type:	American Plug
Inverter Compressor:	Yes
Refrigerant:	R600a
Sound Rating	N/A
Energy Efficiency Class	E-Star
Certification	UL listed

PRODUCT DIMENSION



CUTOUT DIMENSION:

