



FBOEL1371-30



FBOEL1388-30

SINGLE OR DOUBLE WALL OVENS
MODEL NUMBER SERIES: FBOEL1371-30 | FBOEL1388-30
INSTRUCTION MANUAL &
INSTALLATION GUIDE



Intertek
5015011

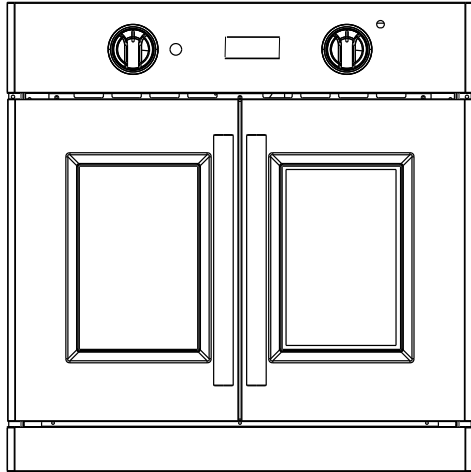
Conforms to UL STD 858 & CSA / ANSI STD Z21.1
 Certified to CSA STDs C22.2#61 & CSA STD 1.1

Read these instructions carefully before using your appliance, and keep them carefully.
 If you follow the instructions, your appliance will provide you with many years of good service.

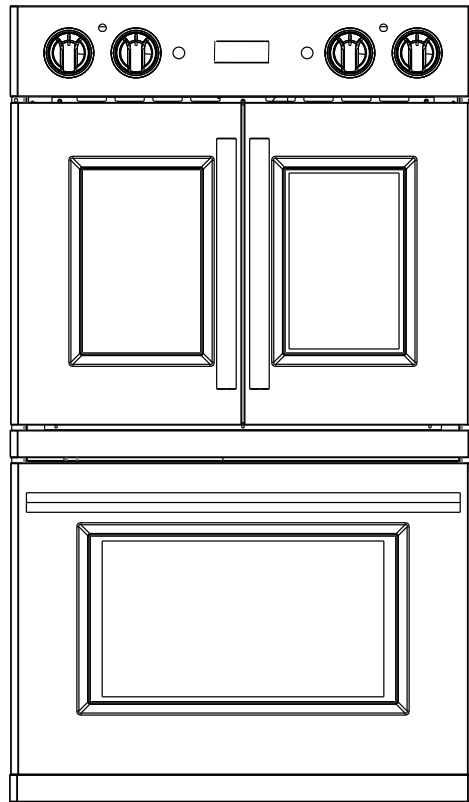
TABLE OF CONTENTS

Customer Care	4
Safety	5
Product Content	7
Package Contents	9
Door Handle Installation	9
Oven Rack Installation	10
Electrical Requirement	11
Product Dimension	12
Installation Instruction	16
Operating Instructions	18
Care and Maintenance	21
Troubleshooting	21
Wire Diagram	22
Warranty	24

SINGLE OR DOUBLE WALL OVENS



FBOEL1371-30



FBOEL1388-30

MODEL NUMBER SERIES: FBOEL1371-30 | FBOEL1388-30

Customer Care

Thank you for purchasing a Forno product. Please read the entire instruction manual before operating your new appliance for the first time. Whether you are an occasional user or an expert, it will be beneficial to familiarize yourself with the safety practices, features, operation and care recommendations of your appliance.

Both the model and serial number are listed inside the product. For warranty purposes, you will also need the date of purchase .

Record this information below for future reference.

Product Information

Model Number: _____

Serial Number: _____

Date of Purchase: _____

Purchase Address And Phone: _____

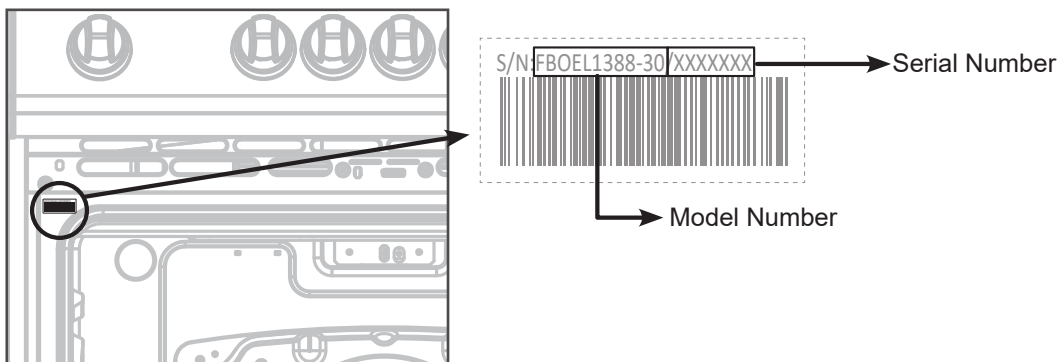
Service Information

Use these numbers in any correspondence or services calls concerning your product.

If you received a damaged product, immediately contact Forno.

Check the troubleshooting guide before you call for service. It lists the causes of minor operation problems that you can correct yourself.

Model And Serial Number Location



Services in Canada and Untied States

Keep the instruction manual handy to answer your questions. You can also find all the information you need on-line at www.forno.ca.

If you don't understand something or need more assistance, please visit our website or email: info@forno.ca

If there is a problem, please contact FORNO customer service. Please note that troubleshooting with a customer service representative will be needed before being able to send a service provider. All warranty work needs to be authorized by FORNO customer service. All our authorized service providers are carefully selected and rigorously trained by us.

Safety

Your safety and the safety of others are very important.

We have provided many important safety messages in this manual and on your appliance. Always read and obey all safety messages.



This is a safety alert symbol. It will alert you to potential personal or property safety hazards. Obey all safety messages to avoid any property damage, personal injury or death.



WARNING

WARNING indicates a potentially hazardous situation which, if not avoided, could result in serious injury or death.



CAUTION

CAUTION indicates a moderate hazardous situation which, if not avoided, could result in minor or moderate injury. All safety messages will alert you what the potential hazard is, tell you how to reduce the chance of injury, and let you know what can happen if the instructions are not followed. All safety messages will tell you what the potential hazard is, tell you how to reduce the chance of injury, and tell you what can happen if the instructions are not followed.

STATE OF CALIFORNIA PROPOSITION 65 WARNINGS:

WARNING: This product contains one or more chemicals known to the State of California to cause cancer.

WARNING: This product contains one or more chemicals known to the State of California to cause birth defects or other reproductive harm.



WARNING

Read all safety instructions before using the product. Failure to follow these instructions may result in fire, electrical shock, serious injury or death.

GENERAL SAFETY INSTRUCTIONS

1. Use this appliance for its intended purpose as described in this instruction manual.
2. Have your appliance installed and properly grounded by a qualified installer in accordance with the provided installation instructions. The manufacturer will not be responsible for any damage to property or to persons caused by incorrect installation, improper use of this appliance, or failure to heed the warnings listed, and the warranty will be voided.
3. Any adjustment and service should be performed only by a qualified oven installer or service technician. Do not attempt to repair or replace any part of your appliance unless it is specifically recommended in this manual.
4. Plug your oven into a 240-volt grounded outlet only. Do not removed the round grounding prong from the plug. If in doubt about the grounding of the home electrical system, it is your responsibility and obligation to have an ungrounded outlet in accordance with the National Electrical Code. Do not use an extension code with this appliance.
5. Before performing any service, unplug the oven or disconnect the power supply at the household distribution panel by removing the fuse or switching off the circuit breaker.
6. Be sure all packing materials are removed from the oven before operating to prevent ignition of these materials.
7. Avoid scratching or impacting glass displays. Doing so may lead to glass breakage. Do not cook on a product with broken glass. Shock, fire, or cuts may occur.
8. Do not leave children alone or unattended in an area where an appliance is in use. They should never be allowed to climb, sit or stand on any part of the oven.
9. Do not touch the heating elements or the interior surface of the oven. These surfaces may be hot enough to burn even though they are dark in color. During and after use, do not touch, or let clothing or other flammable materials contact any interior area of the oven; allow sufficient time for cooling first. Other surfaces of the appliance may become hot enough to cause burns. Potentially hot surfaces include the oven vent opening, surfaces near the opening, crevices around the oven door, metal trim parts above the door, any back guard, or high shelf surface.
10. Do not heat unopened food containers. Pressure could build up and the container could burst, causing any injury.
11. Stand away from the range when opening the oven door. Escaping hot air or steam can cause burns to hands, face and/or eyes.

Safety (continued)

12. Never place cooking utensils, pizza or baking stones, or any type of foil or liner on the oven floor. These items can trap heat or melt, resulting in damage to the product and risk of shock, smoke or fire.
13. Place oven racks in desired location while oven is cool. If the rack must be moved while the oven is hot, be careful to avoid touching hot surfaces.
14. Never broil with the door open. Open-door broiling is not advised due to overheating of control knobs.
15. Do not use the oven for storage purposes. Do not leave paper products, cooking utensils, or food in the oven when not being used.
16. Do not store items of interest to children in cabinets above an oven. Children who climb onto the oven to reach items could be seriously injured.
17. Do not allow children to use this appliance unless closely supervised by an adult.



WARNING

Extremely Heavy

Proper equipment and adequate manpower are needed when moving the appliance to avoid personal injury or damage to the unit or the floor. Failure to follow this advice may result in damage or personal injury.



WARNING

Never pour cold water to hot surfaces in a hot oven. The steam created could cause serious burns or scalding and the sudden change in temperature can damage the enamel in the oven.



WARNING

Cook food thoroughly using a food thermometer to check temperatures in multiple locations for protection against foodborne illness.



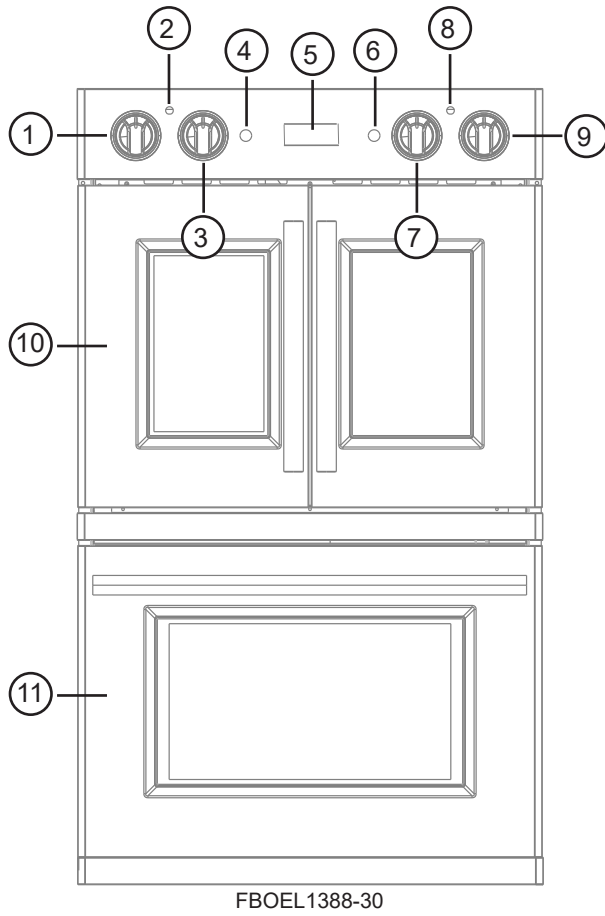
WARNING

KEEP FLAMMABLE MATERIAL AWAY FROM THE RANGE

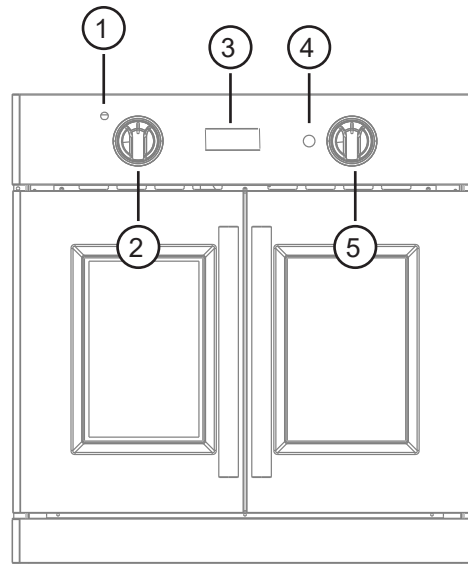
Failure to do so may result in fire or personal injury.

It is important to avoid storing or using flammable materials in an oven, such as paper, plastic, pot holders, linens, wall coverings, curtains, drapes, gasoline or any other flammable vapors and liquids. Loose-fitting or hanging garments should also be avoided while using the appliance, as they may catch fire if they come into contact with hot surfaces, causing serious burns.

Product Contents



FBOEL1388-30



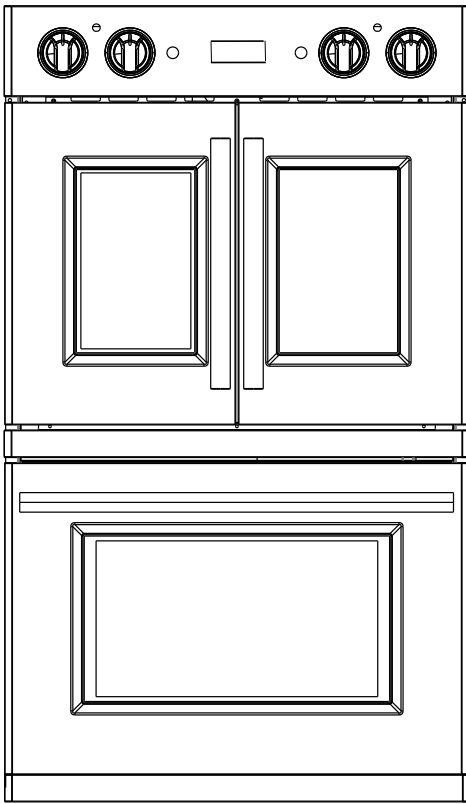
FBOEL1371-30

FBOEL1388-30	
1	LED oven control knob (Upper oven)
2	Oven indicator (Upper oven)
3	LED temperature control knob (Upper oven)
4	Oven light push button (Upper oven)
5	Digital Display
6	Oven light push button (Lower oven)
7	LED oven control knob (Lower oven)
8	Oven indicator (Lower oven)
9	LED temperature control knob (Lower oven)
10	Upper oven (Convection oven)
11	Lower oven

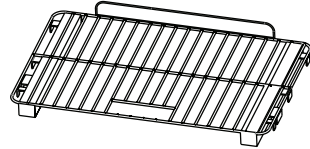
FBOEL1371-30	
1	Oven indicator
2	LED oven control knob
3	Digital Display
4	Oven light push button
5	LED temperature control knob

Product Contents (continued)

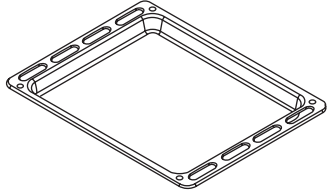
Supplied Parts For
FBOEL1388-30



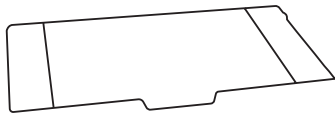
4x Baking rack



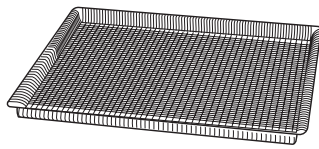
1x Baking Pan




1x Air Fryer Rack



1x Air Fry Basket

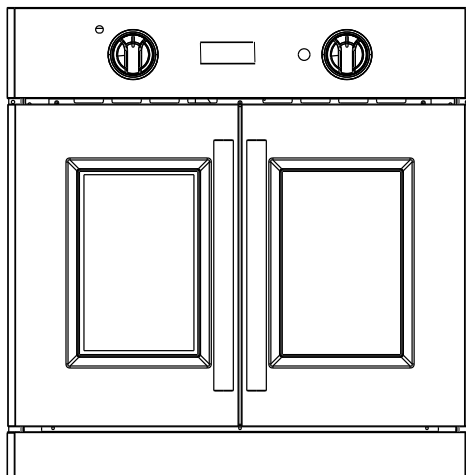


3x Forno Door Handle

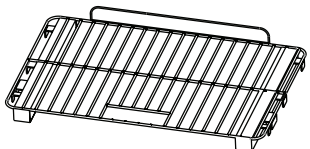


Double wall oven

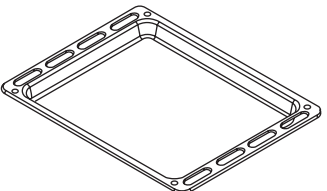
Supplied Parts For
FBOEL1371-30




2x Baking rack



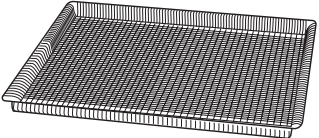
1x Baking Pan




1x Air Fryer Rack



1x Air Fry Basket

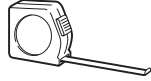









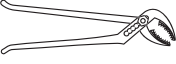

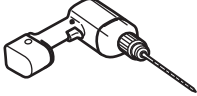
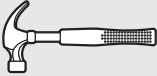

2x Forno Door Handle



Single wall oven

Package Contents

✓	Tools is needed (Not supplied with the unit)
	Tape measure 
	Allen key 
	Utility knife 
	Pencil 
	Level 
	Safety goggles 
	Screwdriver 

✓	Tools is needed (Not supplied with the unit)
	Socket wrench 
	Adjustable pliers 
	Adjustable wrench 
	Electric drill 
	Hammer 
	Safety gloves 

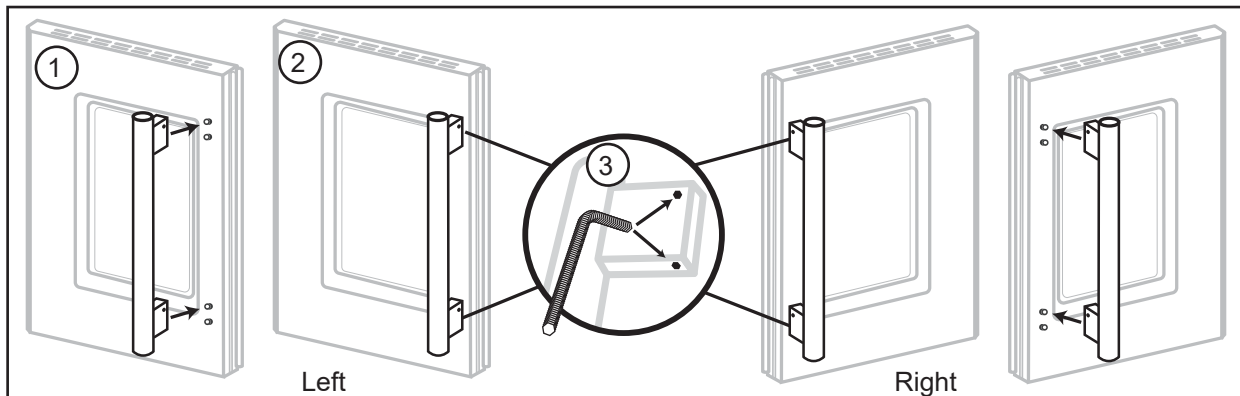
Before you begin the installation, follow the require steps.

1. Remove all packing material.
2. Make sure all accessories are present. Contact customer support for damaged or missing parts at 1-866-231-8893 or email info@forno.ca.

Door handle installation

The door handle is not pre-installed. To install the handles, you can refer to the diagram below which will show you how to install step-by-step.

French Door:



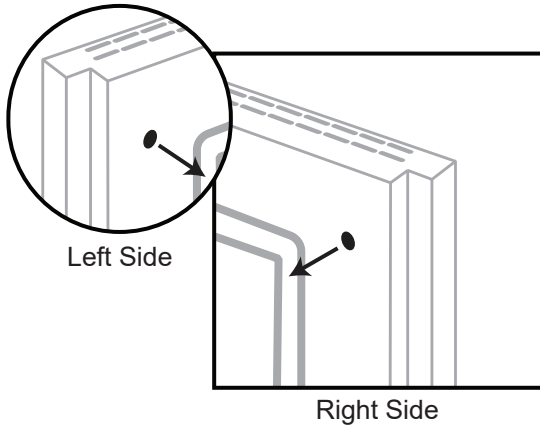
Repeat follow steps 1-3 again for the right door.

Door handle installation (continued)

Chef Door: Only for FBOEL1388-30: Lower oven

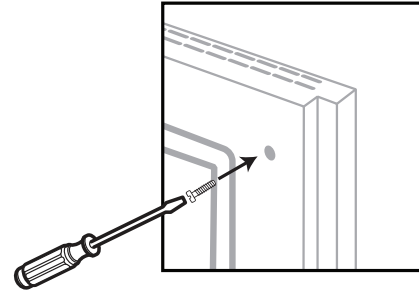
Step 1:

Open the oven door and remove the 2x black rubber caps located at the back of the oven door. Be careful not to scratch the enamel. DO NOT THROW AWAY the cap



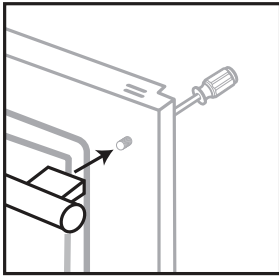
Step 2:

To reach the embedded screw, insert the screwdriver into the hole and push the screw forward until the threads appear on the other side.



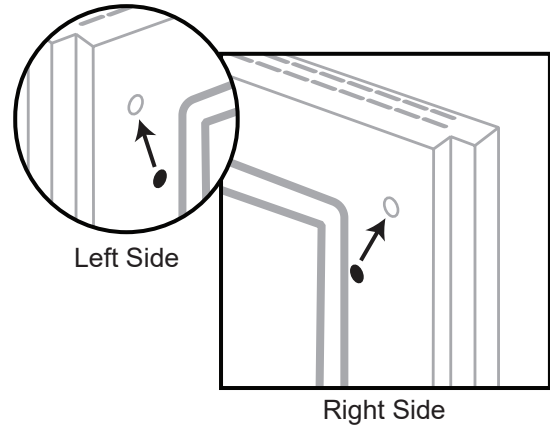
Step 3:

Position the handle holder correctly to accept the screw bolt on the outside of the oven door, then tighten the screw. Do not over tighten the screw.

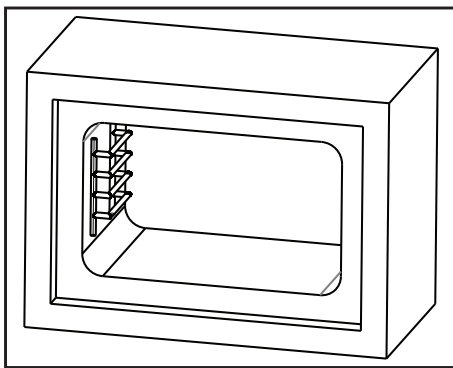


Step 4:

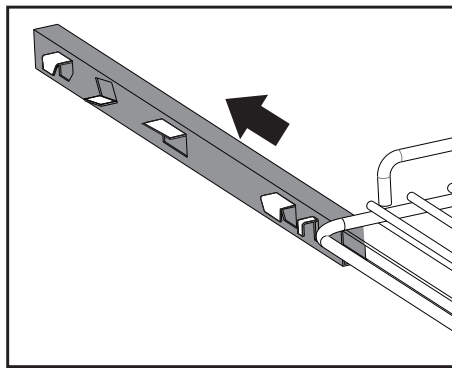
Repeat steps 1-3 for the other doors, then replace the black rubber cap.



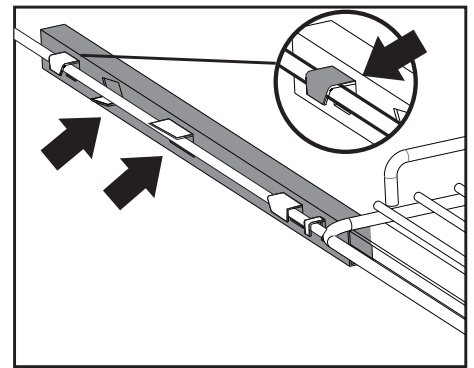
Oven rack installation



1-Open the oven door



2- Pull the rail outwards



3- Make sure the first hinge slides on top of the arm, the second hinge at the bottom, and the two front should be on the top of the arm. Push the rack completely towards the back. This complete the installation.

Oven rack installation (continued)

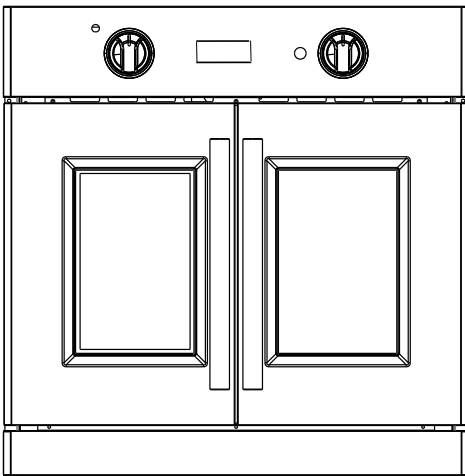
To remove and reposition the rack, lift the front of both rails, then lift and pull the rails towards you. Then lift the back of the rails and reposition the rack on the new level.

Electrical Requirement

Your appliance must be electrically grounded in accordance with local codes or, in the absence of local codes, in accordance with the National Electrical Code (ANSI/NFPA 70, latest edition). In Canada, electrical grounding must be in accordance with the current CSA C22.1 Canadian Electrical Code Part 1 and/or local codes.

The power supply must be the correct polarity. Reverse polarity will result in continuous sparking of the electrodes, even after flame ignition. If there is any doubt as to whether the power supply has the correct polarity or grounded, have it checked by a qualified electrician.

Performance may be compromised if the electrical supply is less than 240 volts. The oven is supplied with a conduit consisting of two insulated hot lead conductors and a bare ground conductor. The wiring diagram covering the control circuit is provided with the oven.

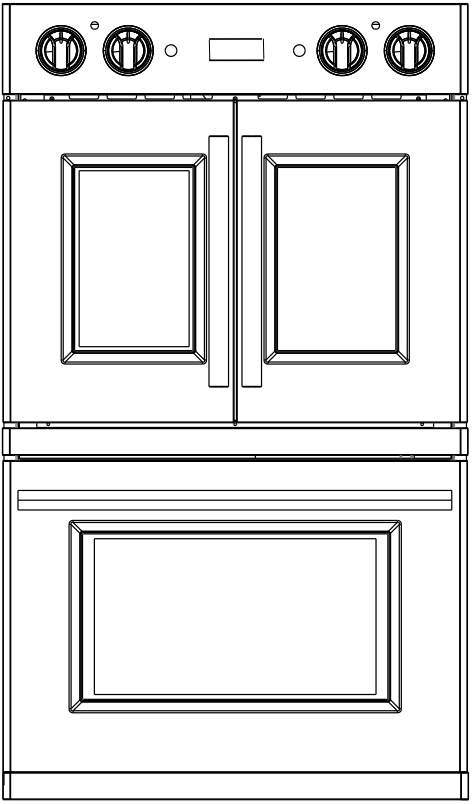


Electrical Requirement- FBOEL1371-30 (Single Oven)

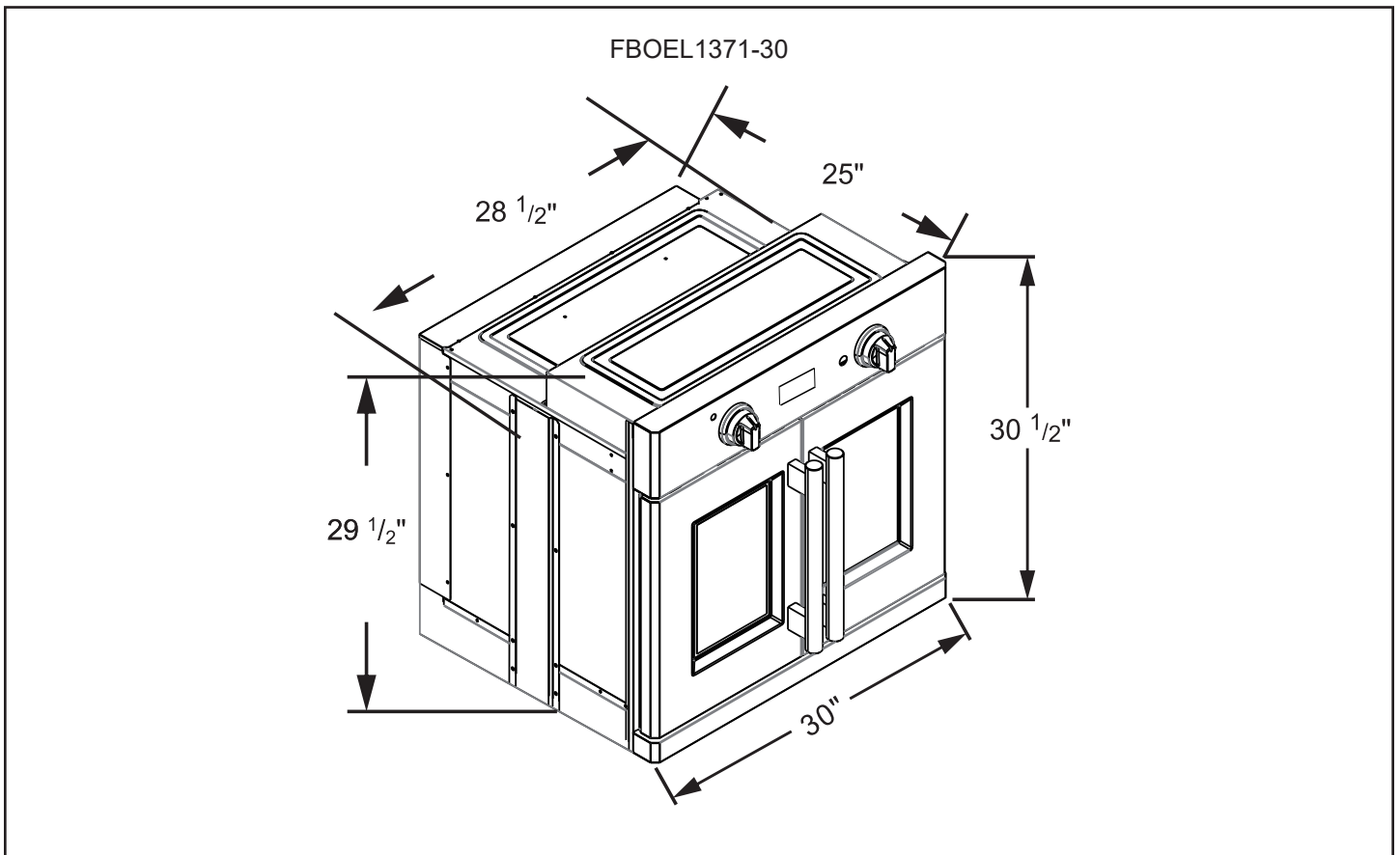
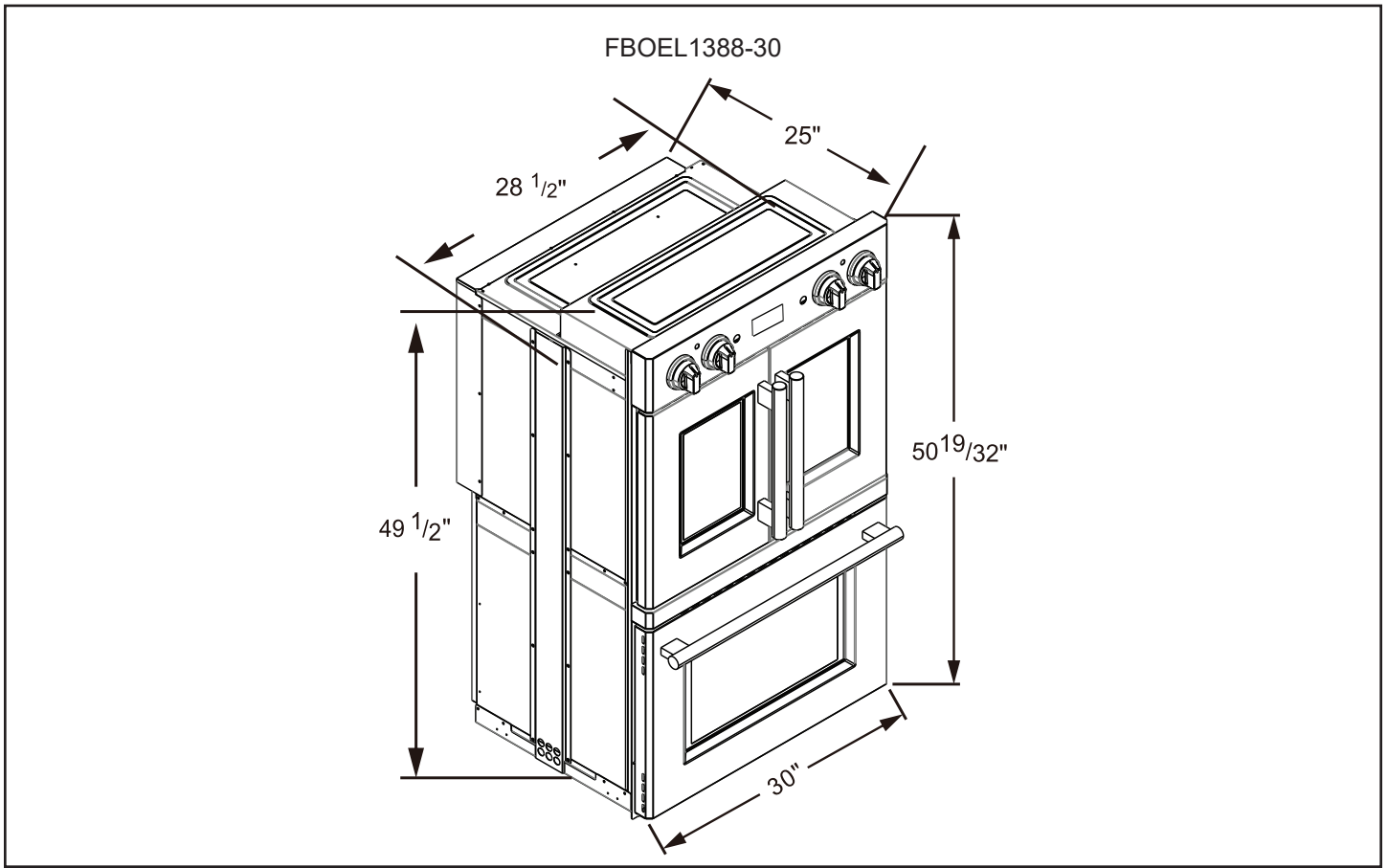
Electrical Supply	Grounded, 240 VAC, 60Hz
Service	30 amp dedicated circuit
Conduit	63" (1.6m)
Total Amps	16
Max connected load	3.6kW

Electrical Requirement- FBOEL1388-30 (Double Oven)

Electrical Supply	Grounded, 240 VAC, 60Hz
Service	50 amp dedicated circuit
Conduit	63" (1.6m)
Total Amps	32
Max connected load	7.2kW



Product Dimension



Product Dimension

INSTALLATION AND SERVICE MUST BE PERFORMED BY QUALIFIED INSTALLER. IMPORTANT: SAVE FOR LOCAL ELECTRICAL INSPECTOR'S USE. READ AND SAVE THESE INSTRUCTIONS FOR FUTURE REFERENCE.

United States and Canada



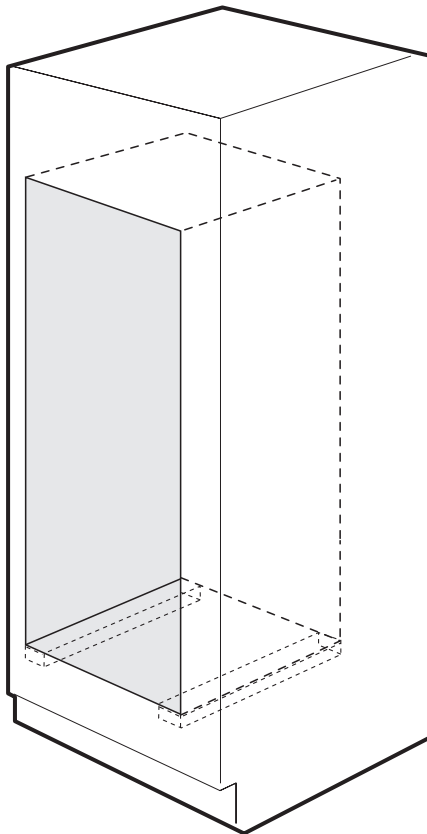
FOR YOUR SAFETY: Do not store or use gasoline or other flammable vapors and liquids in the vicinity of this or any other appliance. Your new wall oven has been designed to fit a variety of cutout sizes to make the job of installing easier. The first step of your installation should be to measure your current cutout dimensions and compare them to the cutout dimensions chart below for your model. You may find little or no cabinet work being necessary.

Carpentry And Support:

Refer to dimensions of your appliance and the cabinet cutouts and space needed to fit the oven. The oven support or base surface must be solid plywood, solid wood, or a material verified to meet the temperature and strength requirements needed for your installation. No fiberboard, laminated/coated wood or other material should be used that is not verified to meet temperature and strength requirements.

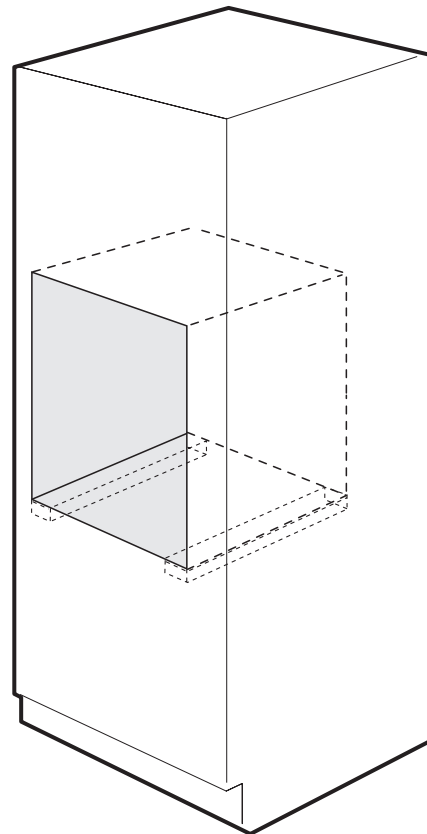
- All materials used in installation must withstand temperatures of 194 °F (90 °C).
- The support surface must be level and flat from side to side, and from front to rear.

If the cabinet does not have a solid floor or support surface, braces may be installed in the cabinet. Bracing may also be used under the cabinet floor for added strength and support. Braces must run front to rear, meet all material and temperature requirements, and be flat and level. The bracing should be 2" (5 cm) minimum width to support the oven side rails. Standard 2" x 4" (5 cm x 10 cm) studs are recommended.



FBOEL1388-30

1. Base must be capable of supporting 330 pounds (150 kg).
2. Solid plywood or solid wood must be at least $\frac{3}{4}$ " (1.9 cm) thick.



FBOEL1371-30

1. Base must be capable of supporting 200 pounds (90 kg).
2. Solid plywood or solid wood must be at least $\frac{1}{2}$ " (1.3 cm) thick.

Product Dimension (continued)



Do not remove spacers (if equipped) on the side walls of the built-in oven. These spacers center the oven in the space provided. The oven must be centered to prevent excess heat buildup that may result in heat damage or fire.

FBOEL1388-30

NOTES:

1. Allow a minimum of 21" (53.3 cm) clearance in front of unit for the oven door when it is open.
2. Dimension G (cutout depth) is critical to the proper installation of the built-in oven. If the oven trim does not butt against the cabinet, or if noise is heard on convection models, verify dimension G to assure it is according to the required dimension.
3. For a cutout height greater than 49³/₄" (126.4cm), add a 2"(5 cm) wide wood shim of appropriate height on each side of the opening under the appliance side rails (not included).

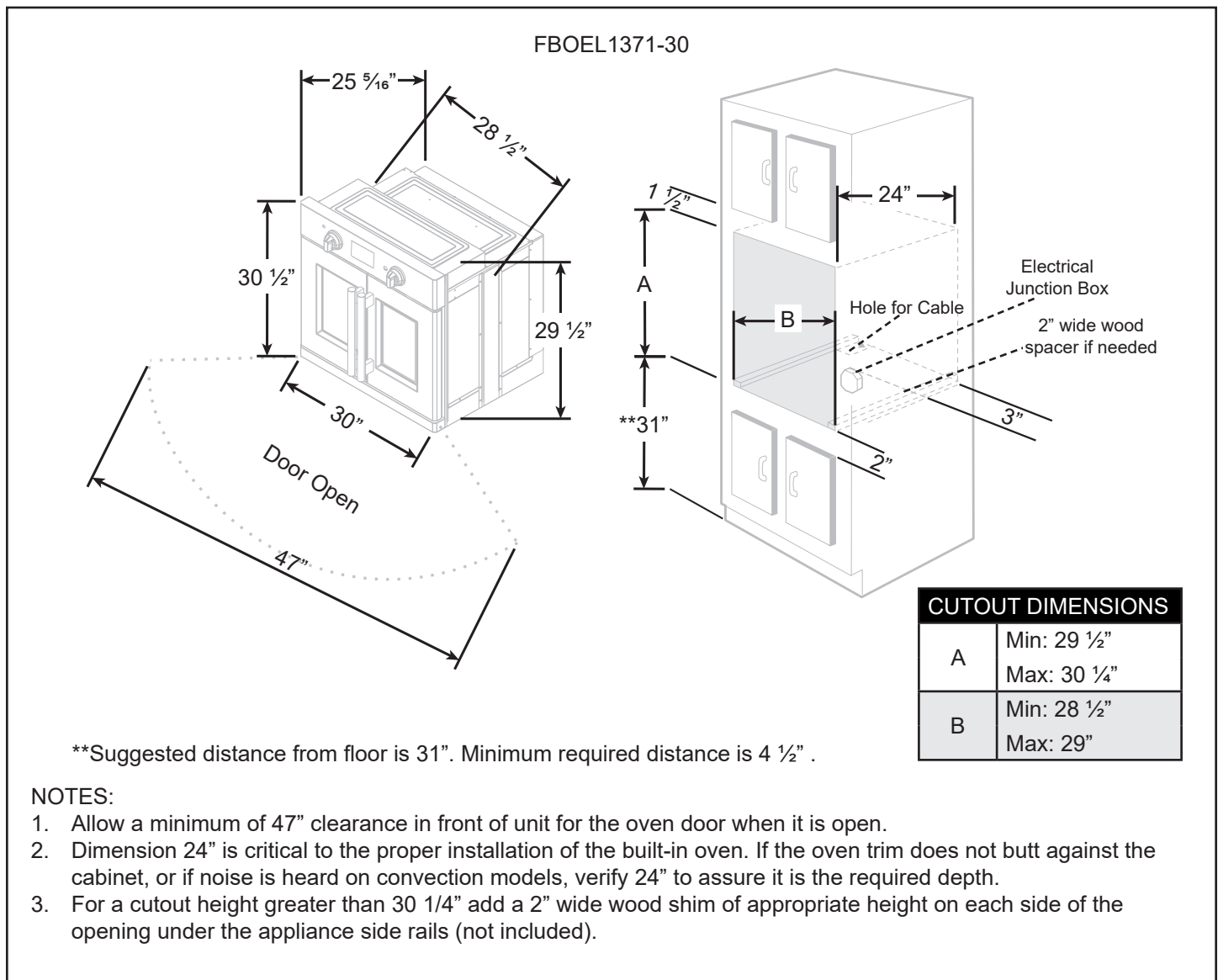
CUTOUT DIMENSIONS	
A	Min: 49 ¹ / ₃₂ " Max: 50 ¹ / ₄ "
B	Min: 28 ¹ / ₂ " Max: 29"

Product Dimension (continued)



WARNING

Do not remove spacers (if equipped) on the side walls of the built-in oven. These spacers center the oven in the space provided. The oven must be centered to prevent excess heat buildup that may result in heat damage or fire.



Installation Instruction

IMPORTANT: This appliance shall be installed only by authorized persons and in accordance with the manufacturer's installation instructions, municipal building codes, electrical wiring regulations.
IT IS RECOMMENDED TO HAVE AT LEAST 2 PEOPLE TO ASSIST WITH THE INSTALLATION PROCESS.

TO INSTALL YOUR WALL OVEN, FOLLOW THESE STEPS CAREFULLY:

Step 1:

Note: Do not use the handle or any portion of the front frame for lifting.

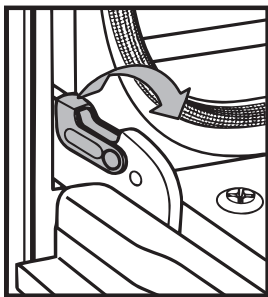
1. Move the packaging to the location where you wish to install and place the cardboard under it to avoid damaging to the floor.
2. Remove all the shipping materials and tapes from the wall oven.
3. Put the literature and hardware packaging aside.
4. Take out the racks and other parts, and place them in a safe location.
5. Move the oven on the cardboard near where it will be installed.

Step 2: Remove the oven door (CHEF DOOR ONLY)

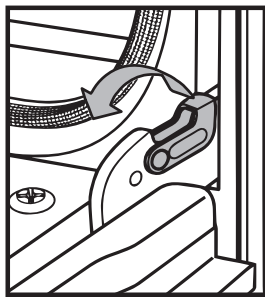
IMPORTANT: The oven door is heavy and fragile, and the door front is glass. To avoid oven door glass breakage, use both hands, and grasp only the sides of the oven door to remove.

To remove the oven door:

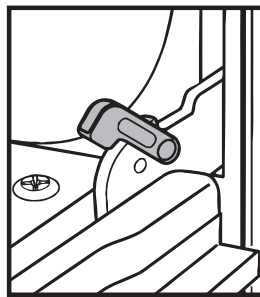
1. Open the oven door completely.
2. Lift up the hinge latch on each side to open.



Left hinge

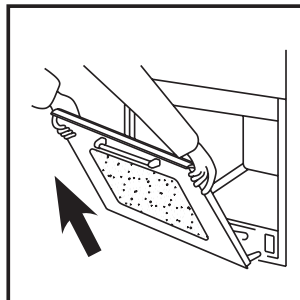


Right hinge



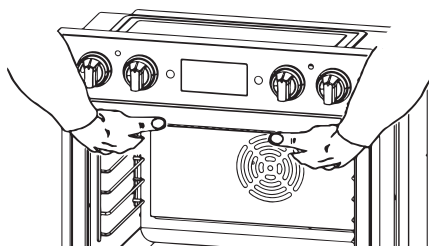
Open

3. Close the oven door as far as it will shut.
4. While grasping both outside edges of the oven door, lift up on the door.
5. Continue to push the top of the door closed while pulling the bottom of the door out of the hinge receivers in the door frame.



STEP 3: Install oven

1. Using two or more people, grasp the ceiling of the oven cavity and lift the oven onto a table or platform even with the cutout opening.



NOTE: The platform must be able to support the following weight:

- Single Oven : 178.5 lb (81 kg)
- Double Oven: 295 lb (134 kg)

2. Feed the flexible electrical supply conduit from the oven to the junction box.

Installation Instruction (continued)

STEP 4: Make electrical connection



WARNING



Electrical Shock Hazard

Grounding through the neutral conductor is prohibited for new branch-circuit installations (1996 NEC); mobile homes; and recreational vehicles, or in an area where local codes prohibit grounding through the neutral conductor. For installations where grounding through the neutral conductor is prohibited, see the Ungrounded Neutral graphic.

Use grounding terminal or lead to ground unit.

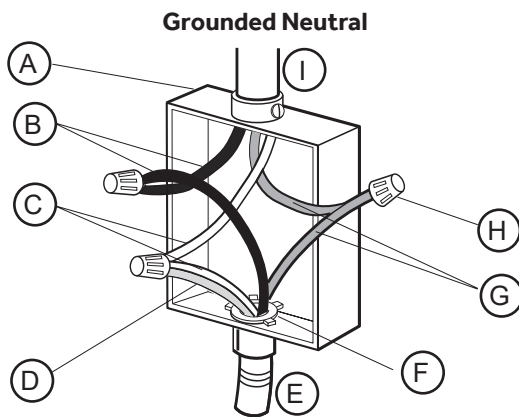
Connect neutral terminal or lead to branch circuit neutral in usual manner.

Failure to do so could result in death, fire or electric shock.

3-WIRE CABLE FROM HOME POWER SUPPLY

Connect to the House Electrical Supply

IMPORTANT: Use the 3-wire cable from home power supply where local codes permit a 3-wire connection.



A	Junction Box
B	Black Wires
C	Neutral (White)Wires
D	Ground (Green or Bare) wire
E	Cable from Oven
F	UL Listed Conduit Connector
G	Red Wires
H	UL Listed Wire Connectors
I	House Electrical Supply

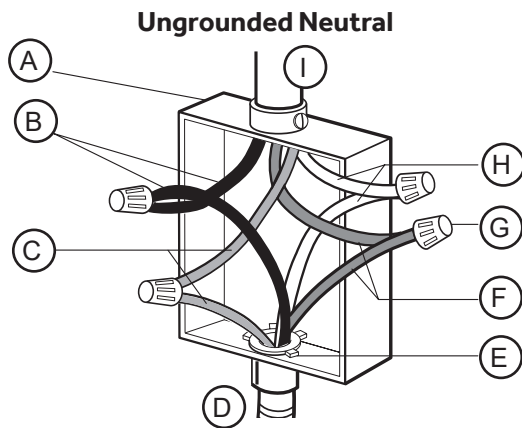
1. Disconnect power.
2. Connect the 2 black wires together using a UL listed wire connector.
3. Connect the neutral (white) wire and the ground (green or bare) wire (of the range cable) using a UL listed wire connector.
4. Connect the 2 red wires together using a UL listed wire connector.
5. Install junction box cover.

4-WIRE CABLE FROM HOME POWER SUPPLY

Connect To The House Electrical Supply - U.s.a. Only

IMPORTANT: Use the 4-wire cable from home power supply in the U.S. where local codes do not allow grounding through neutral, new branch circuit installations (199e NEC), mobile homes and recreational vehicles, new construction and in Canada.

Installation Instruction (continued)

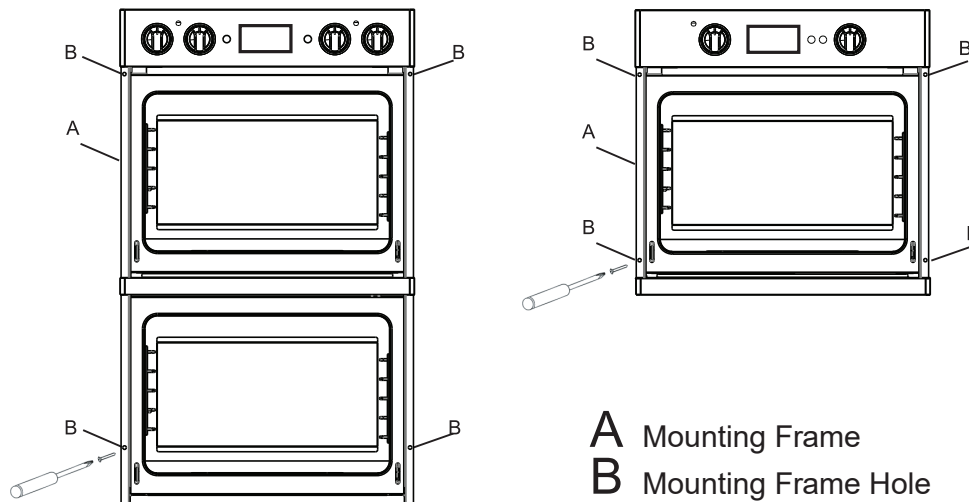


A	Junction Box
B	Black Wires
C	Red Wires
D	Cable from Oven
E	UL listed or CSA Approved Conduit Connector
F	Ground (Green or Bare) Wire
G	UL Listed Wire Connectors
H	Neutral (White) Wires
I	House Electrical Supply

1. Disconnect power
2. Connect the 2 black wires b together using a UL listed wire connector.
3. Connect the 2 red wires c together using a UL listed wire connector.
4. Untwist white wire from green (or bare) ground wire coming from the oven.
5. Connect the 2 neutral (white) wires h together using a UL listed wire connector.
6. Connect the ground (green or bare) wire f from the oven cable to the ground (green or bare) wire (in the junction box) using a UL listed wire connector.
7. Install junction box cover

STEP 5: Mount the oven

1. Slide the oven completely into the cabinet until the back surface of the front frame touches the front wall of the cabinet. Center the oven within the cabinet cutout. NOTE: Push against seal area of the oven front frame when pushing the oven into the cabinet. Do not push against the outside edges.



A Mounting Frame
B Mounting Frame Hole

2. There are four holes, two on each side of the front frame that surrounds the oven cavity. Drill 1/8" (3.18 mm) pilot holes through the holes, and into the front wall of the cabinet.
3. Insert the # 8-14 x 1" screws (provided) through the pilot holes to securely fasten the oven to the cabinet. Do not over-tighten screws.
4. Replace the rack and reconnect the power to the oven.

Installation Instruction (continued)

STEP 6: Replace the door (if necessary)

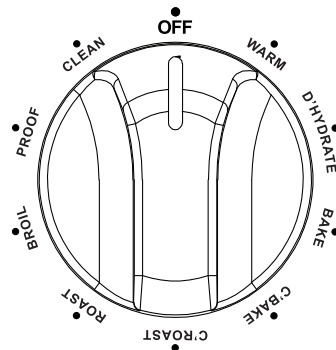
IMPORTANT: The oven door is heavy and fragile, and the door front is glass. To avoid oven door glass breakage, use both hands, and grasp only the sides of the oven door to remove.

1. Verify that the door hinge latches are forward, and then insert the oven door hinges into the openings.
2. Lower the oven door to engage the hinges.
3. Press the hinge latches down to lock.
- 4.

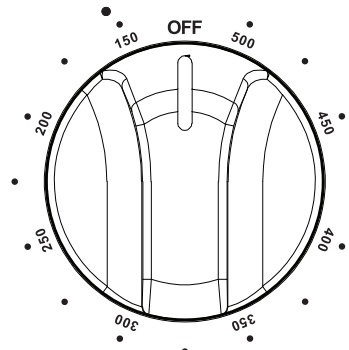
STEP 7: Complete installation

1. Check that all parts are now installed. If there is an extra part, go back through the steps to see which step was skipped.
2. Dispose/recycle of all packaging materials.
3. Start using the oven with the operation details in the following chapter.

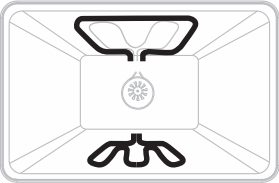
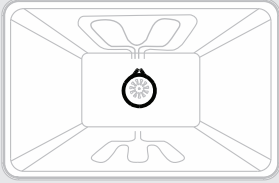
Operating Instructions



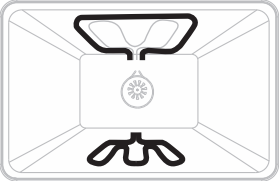
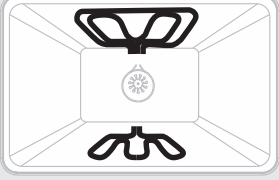
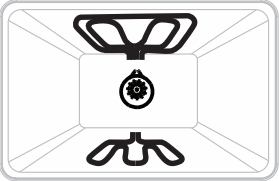
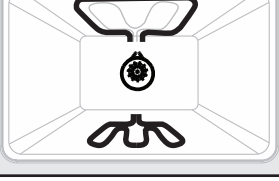
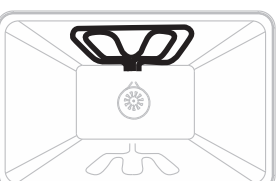
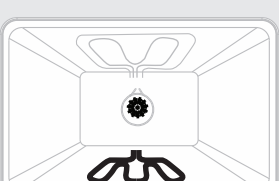
Oven Function Knob



Temperature Control Knob

Settings	Operation
<p data-bbox="250 1178 326 1205">Warm</p> 	<p data-bbox="483 1178 1370 1236">The Warm mode keeps hot, cooked foods at serving temperature. The max temperature of this mode is 170°F.</p> <ol data-bbox="483 1241 1495 1394" style="list-style-type: none"> 1. Turn Oven function knob to Warm. 2. Turn the Temperature control knob to any position between 150°F to 250°F, the indicator light will on. 3. When the oven temperature reach to 170°F, the heat elements will turn on and off automatically to keep the temperature inside the oven. <p data-bbox="483 1398 1495 1472"><i>TIPS: Food must be at serving temperature before placing in the warmed oven. Food may be held up to 1 hour; however, breads and casseroles may become too dry if left in the oven during the Warm function. For best results, cover food.</i></p>
<p data-bbox="224 1493 350 1520">Dehydrate</p> 	<p data-bbox="483 1493 1479 1776">The United States Department of Agriculture advises: DO NOT hold foods at temperature between 40°F to 140°F more than two hours – and cooking raw foods below 275°F is not recommended, the low setting of the oven (ranging from 150°F to 225°F) may be used to keep food hot and in special recipes, used to dehydrate fruits and vegetables. The max temperature of this mode is 135°F. During dehydration, the convection fan(s) circulate hot air over the food, causing moisture to escape from the food surface – generally drying it out. This removal of water inhibits growth of microorganisms and slows down the activity of enzymes. Starting with only the freshest, best quality food items, prepare as directed:</p> <ol data-bbox="483 1780 1495 1934" style="list-style-type: none"> 1. Turn Oven function knob to Dehydrate. 2. Turn the Temperature control knob to any position between 150°F to 250°F, the indicator light will on, and the convection fan will on as well. 3. When the oven temperature reach to 135°F, the heat elements will turn on and off automatically to keep the temperature inside the oven, <p data-bbox="483 1938 1495 1982"><i>TIPS: Place the food on drying racks spaced evenly in the oven cavity. Remember to periodically check the food items for dryness state.</i></p>

Operating Instructions (continued)

<p style="text-align: center;">Bake</p> 	<p>Baking is cooking with heated air. Follow the recipe or convenience food directions for baking temperature, time and rack position. Baking time will vary with the temperature of ingredients and the size, shape and finish of the bakeware.</p> <ol style="list-style-type: none"> 1. Turn Oven function knob to Bake. 2. Turn the Temperature control knob to the desired temperature position, the temperature indicator light will on. 3. When the oven reach to the set temperature, the lower heat element will turn on and off automatically to keep the temperature inside the oven.
<p style="text-align: center;">Convection Bake</p> 	<p>Compared to BAKE mode, Convection Bake adds the use of convection fan(s) to circulate heated air. So both the temperature and the cooking time may be slightly reduced. Use Convection bake for single or multiple rack baking.</p> <p>To set convection bake:</p> <ol style="list-style-type: none"> 1. Turn Oven function knob to Convection Bake. 2. Turn the Temperature control knob to the desired temperature position, the indicator light will on. and the convection fan will on as well. 3. When the oven reach to the set temperature, the upper lower heat elements and the lower heat element and the back heat element will turn on and off automatically to keep the temperature inside the oven. <p><i>Tips: When convection baking, reduce your recipe baking temperature by 25°F.</i></p>
<p style="text-align: center;">Convection Roast</p> 	<p>When convection roasting, turn to your normal roasting temperature. The roasting time should be 15-30% less than in conventional cooking. It is not necessary to preheat the oven for Convection Roast.</p> <ol style="list-style-type: none"> 1. Turn Oven function knob to Convection Roast. 2. Turn the Temperature control knob to the desired temperature position, the indicator light will on and the convection fan will on as well. 3. When the oven reach to the set temperature, the upper heat elements and back heat element will turn on and off automatically to keep the temperature inside the oven.
<p style="text-align: center;">Roast</p> 	<p>Compared with Convection Roast mode, the Roast model do not need the convection fan.</p> <ol style="list-style-type: none"> 1. Turn Oven function knob to Roast. 2. Turn the Temperature control knob to the desired temperature position, the indicator light will on. 3. When the oven reach to 100°F, the upper lower heat elements and the automatically to keep the temperature inside the oven.
<p style="text-align: center;">Broil</p> 	<p>When using broil, the rack position depends on the food, and the thickness of the meat. For best results, broil small, flat cuts of meat such as steaks, hamburgers, chops or boneless chicken breasts.</p> <ol style="list-style-type: none"> 1. Turn Oven function knob to Broil. 2. Turn the Temperature control knob to the desired temperature position, the indicator light will on. 3. When the oven reach to the set temperature, the upper heat elements will turn on and off automatically to keep the temperature inside the oven. <p><i>Tips: The oven door remains closed during broil. When inspecting the food, open the oven door no more than two inches. The burner turns off but will re-ignite in four seconds when the door is closed.</i></p>
<p style="text-align: center;">Proof</p> 	<p>When placed in the Proof mode the oven maintains a warm, non-drafty environment useful for proofing yeast-leavened baking products. The max temperature of this mode is 100°F.</p> <ol style="list-style-type: none"> 1. Turn Oven function knob to Proof. 2. Turn the Temperature control knob to the desired temperature position, the indicator light will on. and the convection fan will on as well. 3. When the oven reach to the set temperature, the lower heat element will turn on and off automatically to keep the temperature inside the oven. <p><i>Tips: It is recommended that proofing be done on the lowest rack position. Do not open the oven door unnecessarily as doing so will lower the oven temperature and increase proofing time. Do not use the "Proof" mode for warming food or keeping food hot. The proofing feature will not keep the oven hot enough to hold foods at safe temperatures.</i></p>

Operating Instructions (continued)

Clean

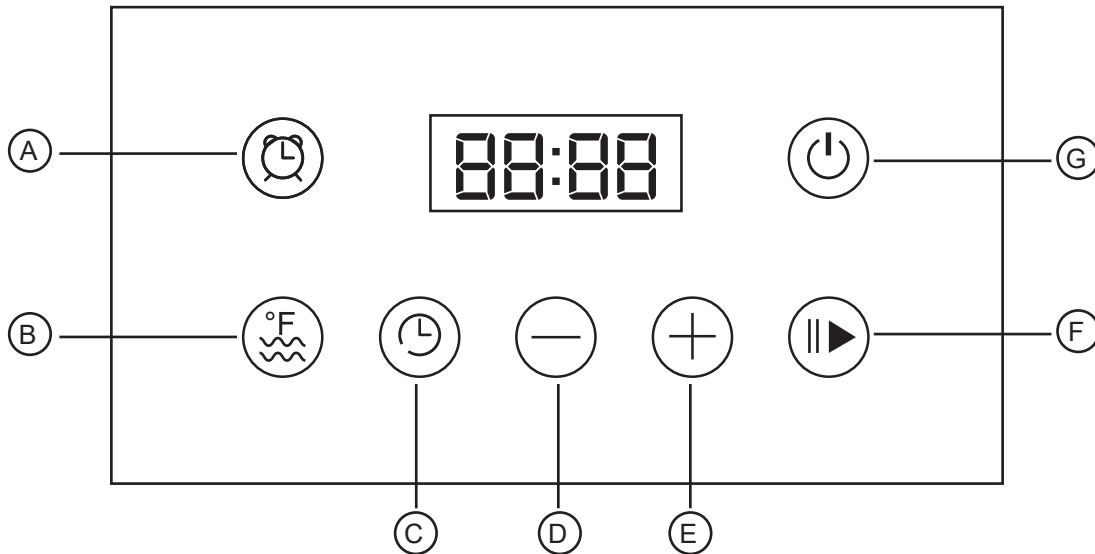
Use the Clean mode to clean the oven interior regularly. The working temperature is 500°F, and the working time is 1 hour. No need to remove the baking racks. Any soil is burned off by the intense heat.

1. Turn Oven function knob to Clean.
2. Turn the Temperature control knob to the max position, the indicator light will on.
3. The upper heat elements and lower heat element will turn on and off automatically until turn the knobs to OFF position.

Tips: When the cleaning is finished, allow to cool until safe, wipe a damp cloth, then dry. This process softens the soil for easier removal.

Digital Display

When you first plug in the range or power has returned, you will see 88:88 in the display and hear an alarm tone.



A	Timer
B	Temperature
C	Clock
D	Down

E	UP
F	Start
G	On / Off

Timer

Press the TIMER to enter the setting. The display will show 03:00. Adjust the hour by pressing the UP or DOWN buttons (00-24), when done, press the TIMER and repeat the steps for the minutes (00-59). To confirm the setting simply press the TIMER again or wait approximately 5 seconds. To stop the TIMER setting, just hold the TIMER for 3 seconds.

Sous Vide

- Step 1: Press the TEMPERATURE to start the sous vide function setting. The display will show 104°F. Adjust the temperature by pressing the UP or DOWN buttons (104°F-212°F), when done, press the TEMPERATURE again or wait approximately 5 seconds to confirm the temperature setting.
- Step 2: Press the TIMER to set the cooking time. The display will show 03:00. Adjust the hour by pressing the UP or DOWN buttons (00-24), when done, press the TIMER and repeat the steps for the minutes (00-59). To confirm the setting simply press the TIMER again or wait approximately 5 seconds.
- Step 3: Press START to enter the sous vide function. The oven heat element and the fan will work together, with display showing the left time and oven real-time temperature every 5 seconds. When the oven is under sous vide cooking mode, repeat the step 1 and step 2 to adjust the temperature or time if needed. Press START to enter the sous vide function again. To exit the sous vide function, just hold the START for 3 seconds.

Note: Always to adjust the temperature in priority in order to use the sous vide function. To adjust the timer before adjusting the temperature won't lead the sous vide function working.

Clock

Press the CLOCK for approximately 3 seconds to enter the setting. The display will show 12:00. Adjust the hour by

Operating Instructions (continued)

pressing the UP or DOWN buttons (01-12), when done, press the CLOCK and repeat the steps for the minutes (00-59). To confirm the setting simply press the CLOCK again or wait approximately 5 seconds.

Other Function:

1. Press and hold on the UP or DOWN button can speed up the setting.
2. When proceed with sous vide function, simultaneously press the UP and DOWN buttons together can shift the temperature between °F and °C.
3. Press and hold on the POWER button for 3 seconds to enter the child lock function, and hold on the POWER button for another 3 seconds to turn off the child lock function.

Attention

The sous vide cooking can not be worked together with the regular cooking mode. Any knob is turned on, the sous vide function can not be used. The regular cooking also can not be used when the sous vide function is working.

Care and Maintenance

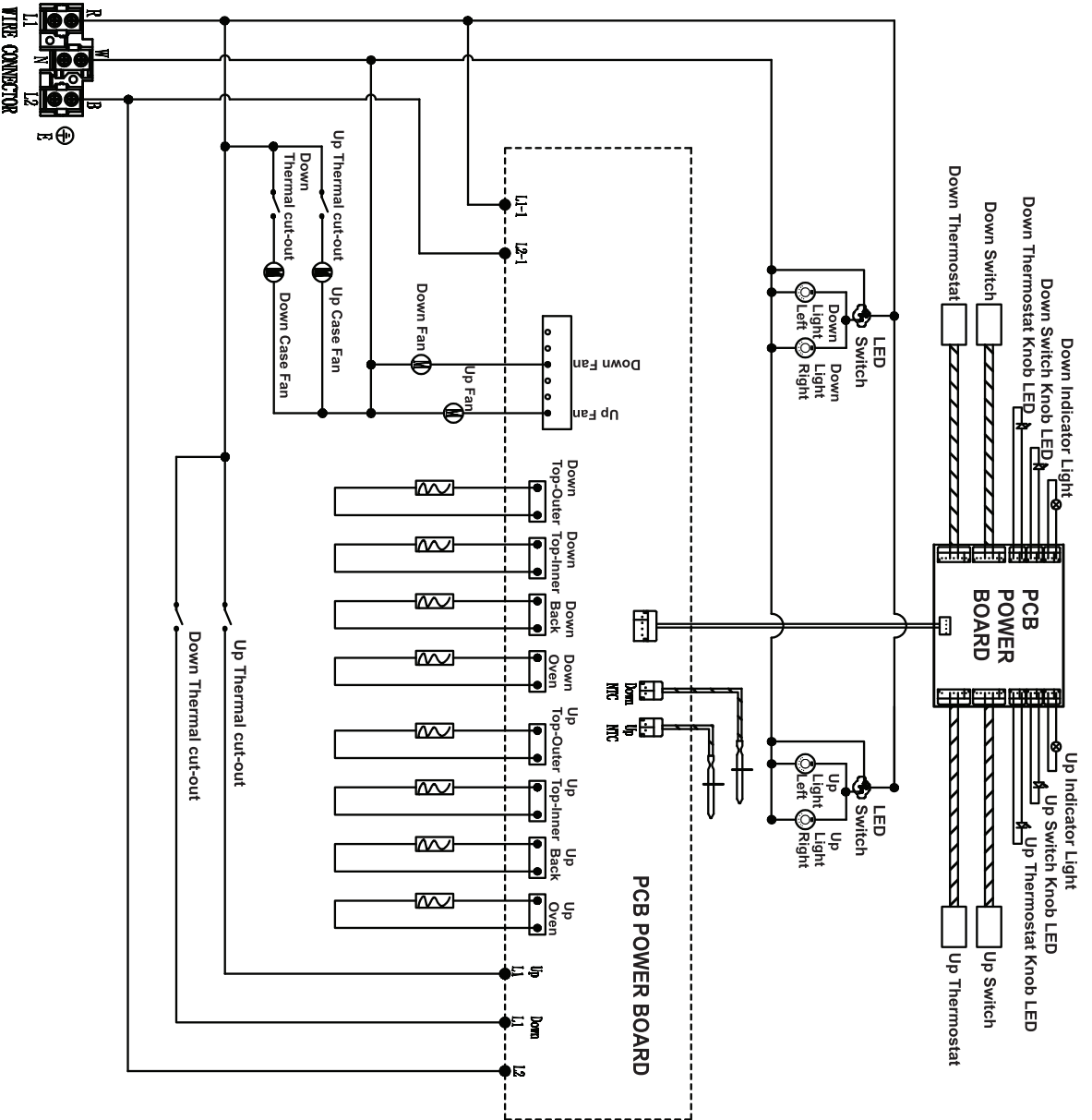
Stainless steel	Use non-abrasive stainless steel cleaner, apply small amount to a soft cloth, slightly wipe the stainless steel surface, then towel dry. When wiping on the stainless steel surface, always follow the grain of the metal.
Control knobs	Using a damp cloth, wipe with a mild detergent or spray de greaser; rinse and dry. Do not put in dishwasher for cleaning.
Oven interior	Use mild abrasive cleaners, spray de greaser. Use a razor blade to gently remove baked on foods from oven cavity and window. For stubborn stains, spray with a mild abrasive cleaner or spray de greaser. Clean the entire oven cavity with soap and water.
Oven racks	To clean the upper rack, use mild detergent and a scouring pad. Rinse and dry. To clean the bottom pan, discard grease and wash with hot water and mild detergent. Rinse and dry. The stainless steel rack is dishwasher safe. Do not place the porcelain-coated rack or pan in dishwasher for cleaning.
Oven light	To replace the oven light bulb, unscrew the light cover inside the oven, replace the light with a 25-watt halogen bulb.

Troubleshooting

Check troubleshooting before you call for service.

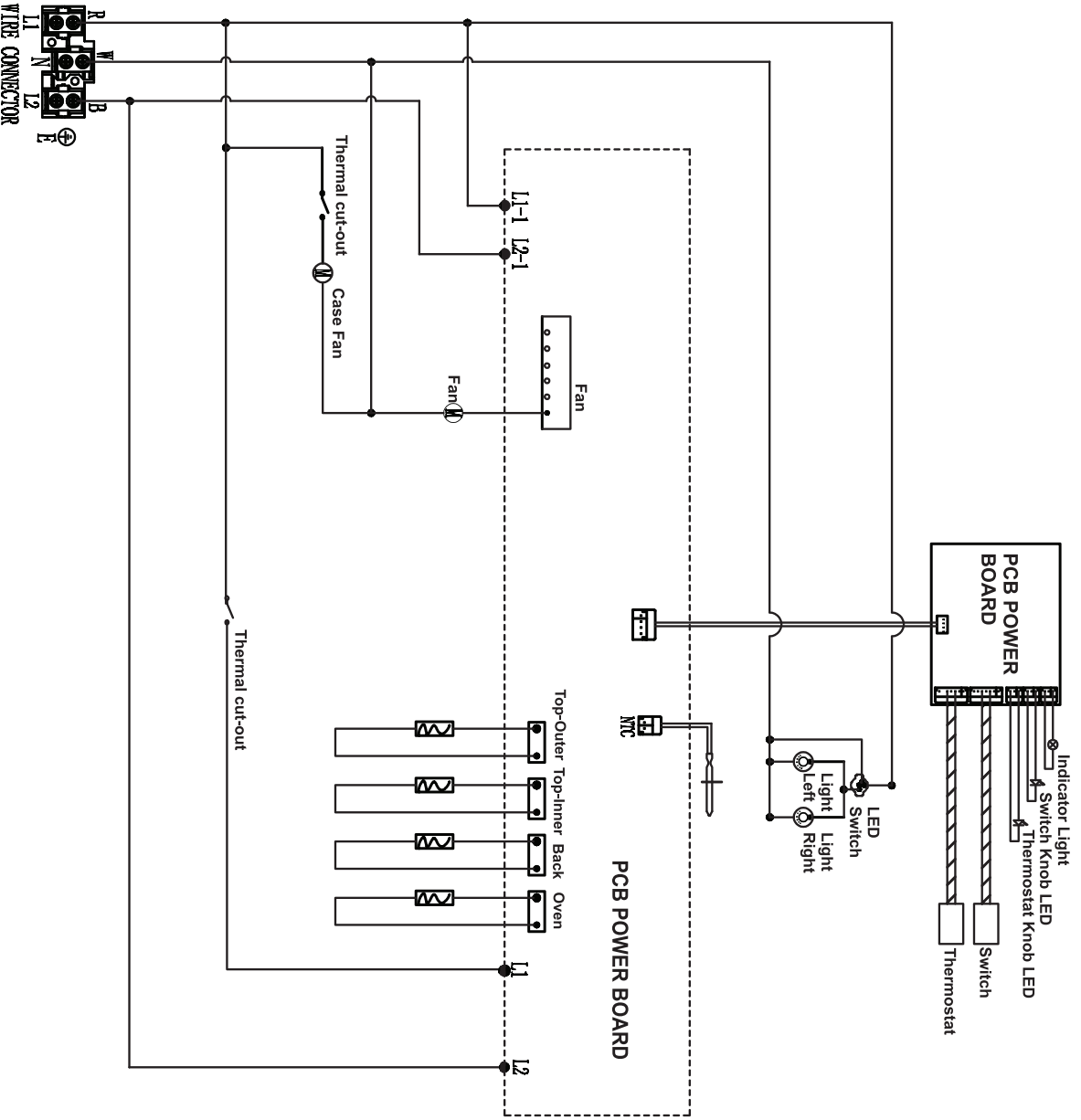
Issue	Possible Cause	Solution
Excessive moisture	Oven was not properly preheated.	When using bake mode, preheat the oven first. Convection Bake and Convection Roast will eliminate any moisture in oven (one of the advantages of convection).
Oven is not heating.	No power going to the oven, Oven Mode or temperature not selected.	Turn on power at the main power supply (fuse or circuit breaker box). Check the correct oven mode or select the proper temperature. If condition persists, call a qualified electrician.
Oven is not cooking evenly	Oven rack is not in correct position.	Adjust the oven temperature setting, or move the oven rack to the correct position.
Oven light is not working properly.	Light bulb is loose or burned out.	Turn the oven off at the circuit breaker and wait a few seconds. Insert the light bulb tightly, or change the light bulb directly.
Cooling fan continues to run after the oven is turned off.	The oven components have not cooled sufficiently.	The fan turns off run after the oven is turned off automatically when the electronic components have cooled sufficiently.
Display shows Err1 Err2 Err3	Error Code for PCB board	Err1: abnormal wire connection Err2: Abnormal sensor signal for broiler Err3: Abnormal sensor signal for oven

FBOEL1388-30



Caution: Label all wires prior to disconnection when servicing controls. Wiring errors can cause improper and dangerous operation. Verify proper operation after servicing.

FBOELL1371-30



Caution: Label all wires prior to disconnection when servicing controls. Wiring errors can cause improper and dangerous operation. Verify proper operation after servicing.

Warranty

What this limited warranty covers:

The Warranty coverage provided by Forno Appliances in this statement applies exclusively to the original Forno appliance ("Product") sold to the consumer ("Purchaser") by an authorized Forno dealer/distributor/retailer, purchased and installed in the United States or Canada, and which has always remained within the original country of purchase (the United States or Canada). Warranty coverage is activated on the date of the Product's original retail purchase and has a duration of two (2) years.

Warranty coverage is non-transferable. In the event of replacement of parts or of the entire product, the replacement Product (or parts) shall assume the remaining original Warranty activated with the original retail purchase document. This Warranty shall not be extended with respect to such replacement. Forno Appliances will repair or replace any component/part which fails or proves defective due to materials and/or workmanship within 2 years of the date of the original retail purchase and under conditions of ordinary residential, non-commercial use. Repair or replacement will be free of charge, including labor at standard rates and shipping expenses. Purchaser is responsible for making the Product reasonably accessible for service. Repair service must be performed by a Forno Authorized Service company during normal working hours.

Important

Retain proof of original purchase to establish warranty period. Forno's liability on any claim of any kind, with respect to the goods and/or services provided, shall in no event exceed the value of the goods or service or part thereof of which has given rise to the claim.

30-Day Cosmetic Warranty

The Purchaser must inspect the product at the time of delivery. Forno warrants that the Product is free from manufacturing defects in materials and workmanship for a period of thirty (30) days from date of the original retail purchase of the Product.

This coverage includes:

- Paint blemishes
- Chips
- Macroscopic finish defects

Cosmetic warranty does NOT cover:

- Issues resulting from incorrect transport, handling and/or installation (e.g.: dents, broken, warped or deformed structures or components, cracked or otherwise damaged glass components);
- Slight color variations on painted/enamelled components;
- Differences caused by natural or artificial lighting, location or other analogous factors; > stains/corrosion/discoloration caused by external substances and/or environmental factors; > labor costs, display, floor, B-stock, out- of-box, "as is" appliances and demo units.

How to receive service

To receive warranty services, the Purchaser must contact the Forno Support department in order to determine the problem and the required service procedures. Troubleshooting with a customer service representative will be necessary before moving forward with the service. Model number, serial

number and date of original retail purchase will be requested.

Warranty Exclusions: What Is Not Covered.

- Use of the Product in any non-residential, commercial application.
- Use of the Product for anything other than its intended purpose.
- Repair services provided by anyone other than a Forno Authorized Service agency.
- Damages or repair services to correct services provided by unauthorized parties or the use of unauthorized parts.
- Installation not in accordance with local/state/city/county fire codes, electrical codes, gas codes, plumbing codes, building codes, laws or regulations.
- Defects or damage due to improper storage of the Product.
- Defects, damage or missing parts on products sold out of the original factory packaging or from displays. > Service calls or repairs to correct an incorrect installation of the Product and/or related accessories.
- Replacement of parts/service calls to connect, convert or otherwise repair the electrical wiring and/or gas line in order to properly use the product.
- Replacement of parts/service calls to provide instructions and information on the use of the Product.
- Replacement of parts/service calls to correct issues arising from the product being used in a manner other than what is normal and customary for residential use.
- Replacement of parts/service calls due to wear and tear of components such as seals, knobs, pan supports, shelving, cutlery baskets, buttons, touch displays, scratched or broken ceramic-glass tops.
- Replacement of parts/service calls for lack of/improper maintenance, including but not limited to: build up of residues, stains, scratches, discoloration, corrosion.
- Defects and damages arising from accidents, alteration, misuse, abuse or improper installation.
- Defects and damages arising from Product transport, logistics and handling. Inspection of the product must be made at time of delivery. Following receipt and inspection, the selling dealer/delivery company must be notified of any issues arising from handling, transport and logistics.
- Defects and damages arising from external forces beyond the control of Forno Appliances, including but not limited to wind, rain, sand, fires, floods, mudslides, freezing temperatures, excessive moisture or extended exposure to humidity, power surges,
- Lightning, structural failures surrounding the appliance and other acts of God.
- Products whose serial number has been altered/damaged/tampered with. In no case shall Forno be held liable or responsible for damage to surrounding property, including furniture, cabinetry, flooring, panels, and other structures surrounding the Product. Forno is neither liable nor responsible for the Product if it is located in a remote area or an area where certified trained technicians are not reasonably available. Purchaser must bear any transportation and delivery costs of the Product to the nearest Authorized Service Center or the additional travel expenses of a certified trained technician

Warranty (continued)

THERE ARE NO EXPRESS WARRANTIES OTHER THAN THOSE LISTED AND DESCRIBED ABOVE, AND NO WARRANTIES, EITHER EXPRESS OR IMPLIED, INCLUDING, BUT NOT LIMITED TO, ANY IMPLIED WARRANTIES OF MERCHANTABILITY OR FITNESS FOR A PARTICULAR PURPOSE THAT SHALL APPLY AFTER THE EXPRESS WARRANTY PERIODS STATED ABOVE, AND NO OTHER EXPRESS WARRANTY OR GUARANTEE GIVEN BY ANY PERSON, FIRM OR CORPORATION WITH RESPECT TO THIS PRODUCT SHALL BE BINDING ON FORNO. FORNO SHALL NOT BE LIABLE FOR LOSS OF REVENUE OR PROFITS, FAILURE TO REALIZE SAVINGS OR OTHER BENEFITS, TIME AWAY FROM WORK, MEALS, LOSS OF FOOD OR BEVERAGES, TRAVELING OR HOTEL EXPENSES, EXPENSES TO RENT OR PURCHASE APPLIANCES, REMODELING/CONSTRUCTION EXPENSES IN EXCESS OF DIRECT DAMAGES WHICH ARE UNDENIABLY CAUSED EXCLUSIVELY BY FORNO OR ANY OTHER SPECIAL, INCIDENTAL OR CONSEQUENTIAL DAMAGES CAUSED BY THE USE, MISUSE OR INABILITY TO USE THIS PRODUCT, REGARDLESS OF THE LEGAL THEORY ON WHICH THE CLAIM IS BASED, AND EVEN IF FORNO HAS BEEN ADVISED OF THE POSSIBILITY OF SUCH DAMAGES. NOR SHALL RECOVERY OF ANY KIND AGAINST FORNO BE GREATER IN AMOUNT THAN THE PURCHASE PRICE OF THE PRODUCT SOLD BY FORNO AND CAUSING THE ALLEGED DAMAGE. WITHOUT PREJUDICE TO THE FOREGOING, PURCHASER ASSUMES ALL RISK AND LIABILITY FOR LOSS, DAMAGE OR INJURY TO PURCHASER AND PURCHASER'S PROPERTY AND TO OTHERS AND THEIR PROPERTY ARISING FROM THE USE, MISUSE, OR INABILITY TO USE THIS PRODUCT SOLD BY FORNO THAT IS NOT A DIRECT RESULT OF NEGLIGENCE ON THE PART OF FORNO THIS LIMITED WARRANTY SHALL NOT EXTEND TO ANYONE OTHER THAN THE ORIGINAL PURCHASER OF THIS PRODUCT, IS NON-TRANSFERABLE, AND STATES YOUR EXCLUSIVE REMEDY.



WARNING: This product can expose you to chemicals including [Lead & Lead Compounds], which is [are] known to the State of California to cause cancer, birth defects and / or reproductive harm. To minimize exposure to these substances. Always operate this unit according to the Owner's Manual, and ensure that you provide proper ventilation. For more information go to www.P65Warnings.ca.gov



This symbol on the product or in its packing indicates that this product may not be treated as household waste. Instead, it should be taken to the appropriate waste collection point for the recycling of electrical and electronic equipment. By ensuring this product is disposed of correctly, you will help prevent potential negative consequences for the environment and human health, which could otherwise be caused by the inappropriate waste handling of this product. For more detailed information about the recycling of this product, please contact your local council your household waste disposal service, or the shop where you purchased the product.

To avoid contamination of food, please respect the following instructions:

- Opening the door for long periods can cause a significant increase of the temperature in the compartments of the appliance.
- Clean regularly surfaces that can come in contact with food and accessible drainage systems.
- Store raw meat and fish in suitable containers in the refrigerator, so that it is not in contact with or drip onto other food.
- Two-star frozen-food compartments are suitable for storing pre-frozen food, storing or making ice cream and making ice cubes.
- One-, two- and three-star compartments are not suitable for the freezing of fresh food.



FORNO
Alta Qualita



FBOEL1371-30



FBOEL1388-30

FOURS MURAUX SIMPLES OU DOUBLES
NUMÉRO DE MODÈLE SÉRIE : FBOEL1371-30 | FBOEL1388-30
MANUEL D'INSTRUCTION ET GUIDE D'IN-
STALLATION



Intertek
5015011

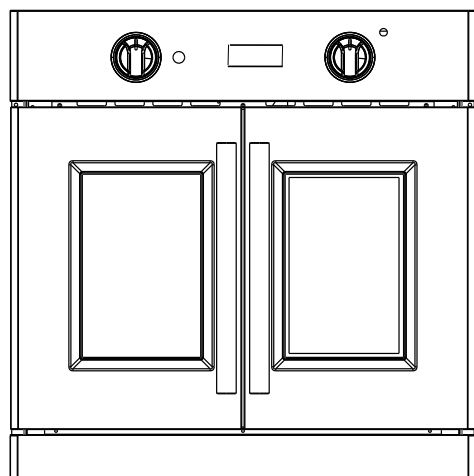
Conforms to UL STD 858 & CSA / ANSI STD Z21.1
 Certified to CSA STDs C22.2#61 & CSA STD 1.1

Lisez attentivement ces instructions avant d'utiliser votre appareil et conservez-les soigneusement. Si vous suivez les instructions, votre appareil vous donnera satisfaction pendant de nombreuses années.

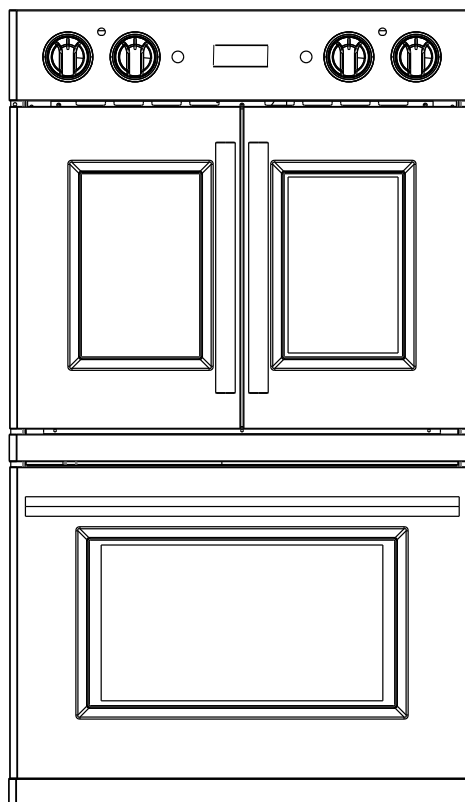
TABLE DES MATIÈRES

Service clientèle	4
Sécurité	5
Contenu du produit	7
Contenu du paquet	9
Installation de la poignée de porte	9
Installation des grilles de four	10
Exigences électriques	11
Dimension du produit	12
Instructions d'installation	16
Instructions d'utilisation	18
Entretien et maintenance	21
Dépannage	21
Schéma de câblage	22
Garantie	24

FOURS MURAUX SIMPLES OU DOUBLES



FBOEL1371-30



FBOEL1388-30

NUMÉRO DE MODÈLE SÉRIE : FBOEL1371-30 | FBOEL1388-30

Service clientèle

Merci d'avoir acheté un produit Forno. Veuillez lire l'intégralité du manuel d'instructions avant d'utiliser votre nouvel appareil pour la première fois. Que vous soyez un utilisateur occasionnel ou un expert, il vous sera utile de vous familiariser avec les pratiques de sécurité, les caractéristiques, le fonctionnement et les recommandations d'entretien de votre appareil.

Le modèle et le numéro de série sont indiqués à l'intérieur du produit. Pour les besoins de la garantie, vous aurez également besoin de la date d'achat.

Notez ces informations ci-dessous pour référence ultérieure.

Informations sur le produit

Numéro de modèle : _____

Numéro de série : _____

Date d'achat : _____

Adresse et téléphone pour l'achat : _____

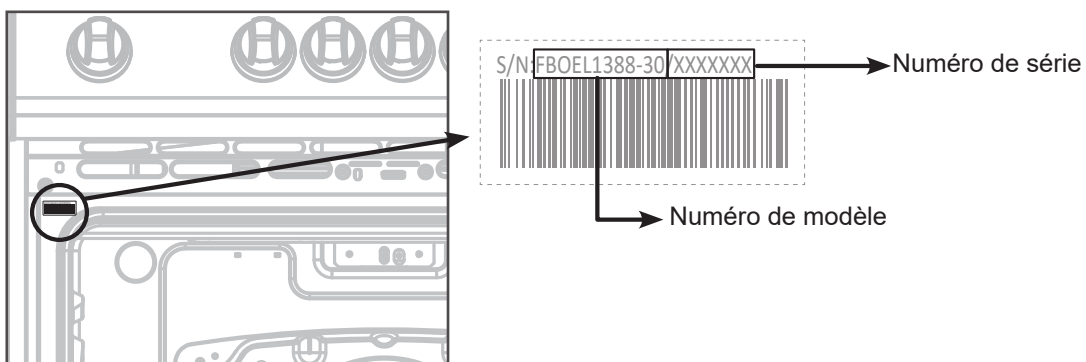
Informations sur les services

Utilisez ces numéros dans toute correspondance ou appel de service concernant votre produit.

Si vous avez reçu un produit endommagé, contactez immédiatement Forno.

Consultez le guide de dépannage avant de faire appel au service après-vente. Il énumère les causes des petits problèmes de fonctionnement que vous pouvez corriger vous-même.

Emplacement du modèle et du numéro de série



Services au Canada et aux États-Unis

Gardez le manuel d'instructions à portée de main pour répondre à vos questions. Vous pouvez également trouver toutes les informations nécessaires en ligne sur le site www.forno.ca.

Si vous ne comprenez pas quelque chose ou si vous avez besoin d'aide, veuillez consulter notre site web ou envoyer un courrier électronique à l'adresse suivante : info@forno.ca

En cas de problème, veuillez contacter le service clientèle de FORNO. Veuillez noter qu'un dépannage avec un représentant du service clientèle sera nécessaire avant de pouvoir envoyer un fournisseur de services. Toute intervention sous garantie doit être autorisée par le service clientèle de FORNO. Tous nos prestataires de services agréés sont soigneusement sélectionnés et rigoureusement formés par nos soins.

Sécurité

Votre sécurité et celle des autres sont très importantes. De nombreux messages de sécurité importants figurent dans ce manuel et sur votre appareil. Lisez et respectez toujours tous les messages de sécurité.

Il s'agit d'un symbole d'alerte de sécurité. Il vous avertit des risques potentiels pour la sécurité des personnes et des biens. Respectez tous les messages de sécurité afin d'éviter tout dommage matériel, corporel ou mortel.



AVERTISSEMENT

AVERTISSEMENT indique une situation potentiellement dangereuse qui, si elle n'est pas évitée, peut entraîner des blessures graves, voire mortelles.



ATTENTION

ATTENTION indique une situation modérément dangereuse qui, si elle n'est pas évitée, peut entraîner des blessures mineures ou modérées. Tous les messages de sécurité vous alertent sur le danger potentiel, vous indiquent comment réduire les risques de blessure et vous informent de ce qui peut arriver si les instructions ne sont pas suivies. Tous les messages de sécurité vous indiquent quel est le danger potentiel, comment réduire les risques de blessure et ce qui peut arriver si les instructions ne sont pas suivies.

AVERTISSEMENTS DE LA PROPOSITION 65 DE L'ÉTAT DE CALIFORNIE :

AVERTISSEMENT : Ce produit contient un ou plusieurs produits chimiques reconnus par l'État de Californie comme étant cancérigènes.

AVERTISSEMENT : Ce produit contient un ou plusieurs produits chimiques reconnus par l'État de Californie comme provoquant des malformations congénitales ou d'autres troubles de la reproduction.



AVERTISSEMENT

Lisez toutes les consignes de sécurité avant d'utiliser le produit. Le non-respect de ces instructions peut entraîner un incendie, un choc électrique, des blessures graves ou la mort.

INSTRUCTIONS GÉNÉRALES DE SÉCURITÉ

1. Utilisez cet appareil pour l'usage auquel il est destiné, tel qu'il est décrit dans ce manuel d'instructions.
2. Faites installer et mettre à la terre votre appareil par un installateur qualifié, conformément aux instructions d'installation fournies. Le fabricant ne sera pas responsable des dommages matériels ou corporels causés par une installation incorrecte, une utilisation inadéquate de cet appareil ou le non-respect des avertissements mentionnés, et la garantie sera annulée.
3. Tout réglage ou entretien ne doit être effectué que par un installateur de fours ou un technicien qualifié. N'essayez pas de réparer ou de remplacer une pièce de votre appareil si cela n'est pas spécifiquement recommandé dans ce manuel.
4. Branchez votre four uniquement sur une prise de 240 volts avec mise à la terre. Ne retirez pas la broche ronde de mise à la terre de la fiche. En cas de doute sur la mise à la terre du système électrique domestique, il est de votre responsabilité et de votre obligation d'avoir une prise non mise à la terre conformément au code national de l'électricité. N'utilisez pas de code d'extension avec cet appareil.
5. Avant toute intervention, débranchez le four ou coupez l'alimentation électrique au niveau du panneau de distribution domestique en retirant le fusible ou en coupant le disjoncteur.
6. Veillez à ce que tous les matériaux d'emballage soient retirés du four avant de l'utiliser afin d'éviter toute inflammation de ces matériaux.
7. Évitez de rayer ou de heurter les écrans en verre. Cela pourrait entraîner un bris de verre. Ne pas cuisiner sur un produit contenant des débris de verre. Des chocs, des incendies ou des coupures peuvent se produire.
8. Ne laissez pas les enfants seuls ou sans surveillance dans une zone où un appareil est en cours d'utilisation. Ils ne doivent jamais être autorisés à grimper, à s'asseoir ou à se tenir debout sur une quelconque partie du four.
9. Ne touchez pas les éléments chauffants ou la surface intérieure du four. Ces surfaces peuvent être suffisamment chaudes pour provoquer des brûlures, même si elles sont de couleur foncée. Pendant et après l'utilisation, ne touchez pas et ne laissez pas les vêtements ou d'autres matériaux inflammables entrer en contact avec toute zone intérieure du four ; laissez d'abord un temps de refroidissement suffisant. D'autres surfaces de l'appareil peuvent devenir

Sécurité (suite)

suffisamment chaudes pour provoquer des brûlures. Les surfaces potentiellement chaudes comprennent l'ouverture de l'évent du four, les surfaces proches de l'ouverture, les crevasses autour de la porte du four, les pièces métalliques au-dessus de la porte, toute protection arrière ou surface d'étagère élevée.

10. Ne pas chauffer des récipients alimentaires non ouverts. La pression pourrait s'accumuler et le récipient pourrait éclater, provoquant des blessures.

11. Éloignez-vous de la cuisinière lorsque vous ouvrez la porte du four. L'air chaud ou la vapeur qui s'échappe peut provoquer des brûlures aux mains, au visage et/ou aux yeux.

12. Ne placez jamais d'ustensiles de cuisine, de pierres à pizza ou à cuire, ni aucun type de papier d'aluminium ou de revêtement sur la sole du four.

Ces éléments peuvent retenir la chaleur ou fondre, ce qui peut endommager le produit et entraîner un risque de choc, de fumée ou d'incendie.

13. Placer les grilles du four à l'endroit désiré pendant que le four refroidit. Si la grille doit être déplacée alors que le four est chaud, veillez à ne pas toucher les surfaces chaudes.

14. Ne jamais faire griller avec la porte ouverte. La cuisson au gril à porte ouverte n'est pas conseillée en raison de la surchauffe des boutons de commande.

15. Ne pas utiliser le four à des fins de stockage. Ne laissez pas de produits en papier, d'ustensiles de cuisine ou d'aliments dans le four lorsqu'il n'est pas utilisé.

16. Ne rangez pas d'objets susceptibles d'intéresser les enfants dans les armoires situées au-dessus du four. Les enfants qui grimpent sur le four pour atteindre des objets peuvent se blesser gravement.

17. Ne laissez pas les enfants utiliser cet appareil sans la surveillance étroite d'un adulte.



AVERTISSEMENT

Extrêmement lourd

Un équipement adéquat et une main-d'œuvre suffisante sont nécessaires pour déplacer l'appareil afin d'éviter les blessures ou les dommages à l'appareil ou au sol. Le non-respect de ces conseils peut entraîner des dommages ou des blessures.



AVERTISSEMENT

Ne jamais verser d'eau froide sur des surfaces chaudes dans un four chaud. La vapeur créée peut provoquer des brûlures graves ou des ébouillantages et le changement soudain de température peut endommager l'émail du four.



AVERTISSEMENT

Faites bien cuire les aliments en utilisant un thermomètre alimentaire pour vérifier les températures en plusieurs endroits afin de vous protéger contre les maladies d'origine alimentaire.

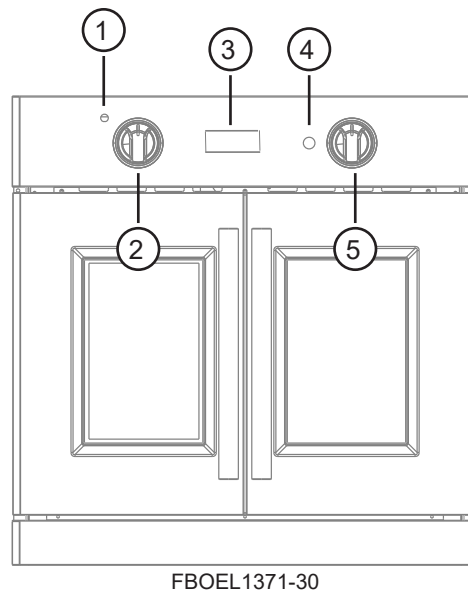
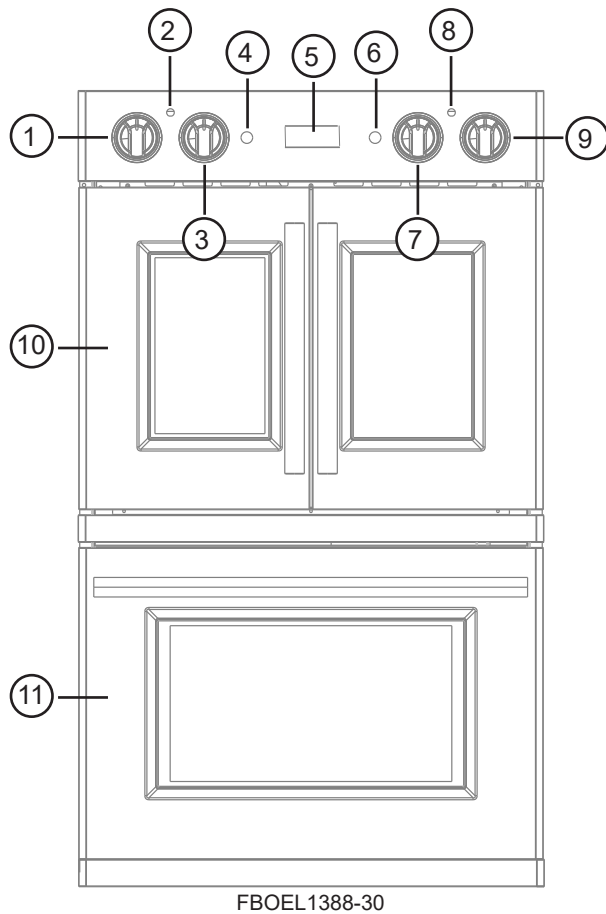


AVERTISSEMENT

TENEZ LES MATÉRIAUX INFLAMMABLES À L'ÉCART DE LA CUISINIÈRE Le non-respect de cette consigne peut entraîner un incendie ou des blessures.

Il est important d'éviter de stocker ou d'utiliser des matériaux inflammables dans un four, tels que du papier, du plastique, des maniques, du linge, des revêtements muraux, des rideaux, de l'essence ou toute autre vapeur ou liquide inflammable. Les vêtements amples ou suspendus doivent également être évités lors de l'utilisation de l'appareil, car ils peuvent s'enflammer au contact des surfaces chaudes et provoquer de graves brûlures.

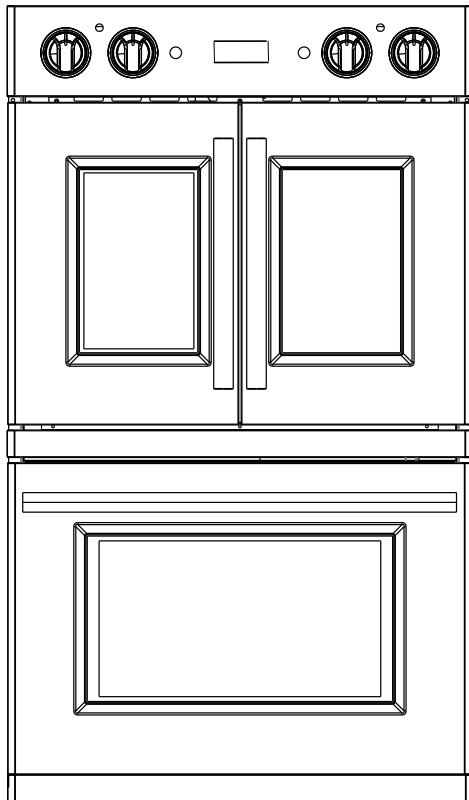
Contenu du produit



FBOEL1388-30	
1	Bouton de commande du four à LED (Four supérieur)
2	Indicateur de four (Four supérieur)
3	Bouton de contrôle de la température à LED (Four supérieur)
4	Bouton-poussoir de l'éclairage du four (Four supérieur)
5	Affichage numérique
6	Bouton-poussoir de l'éclairage du four (Four inférieur)
7	Bouton de commande du four à LED (Four inférieur)
8	Indicateur de four (Four inférieur)
9	Bouton de contrôle de la température à LED (Four inférieur)
10	Four supérieur (Four à convection)
11	Four inférieur

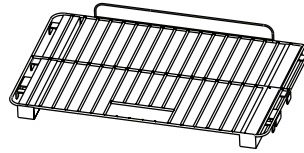
FBOEL1371-30	
1	Indicateur de four
2	Bouton de commande du four à LED
3	Affichage numérique
4	Bouton-poussoir de l'éclairage du four
5	Bouton de contrôle de la température à LED

Contenu du produit (suite)

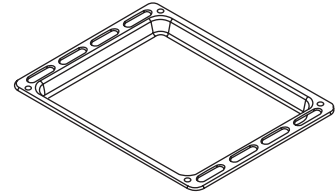


Four à double paroi

Pièces fournies pour
FBOEL1388-30



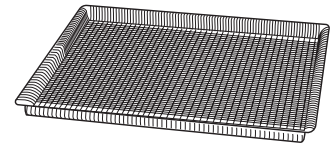
4x Grille de cuisson



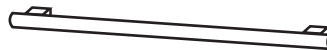
1x moule à pâtisserie



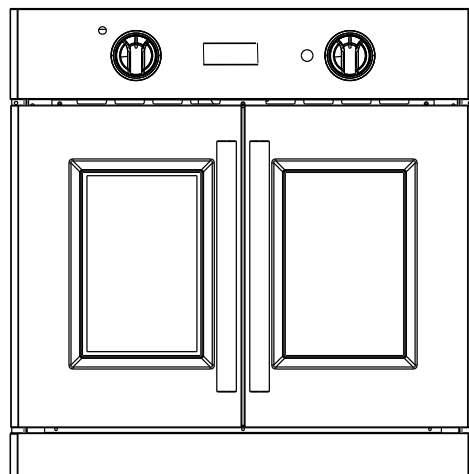
1x support pour friteuse
à air



1x Panier à friture

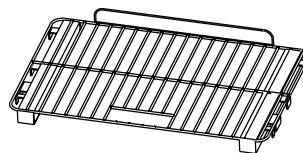


3x Poignée de porte Forno

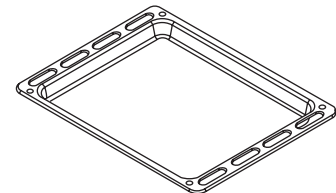


Four mural simple

Pièces fournies pour
FBOEL1371-30



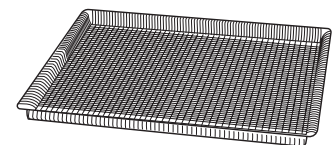
2x Grille de cuisson



1x moule à pâtisserie



1x support pour friteuse
à air

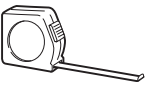





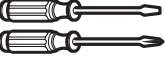





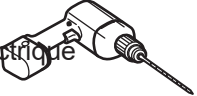
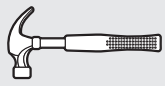

1x Panier à friture



2x Poignée de porte Forno

Contenu du paquet

✓	Des outils sont nécessaires (non fournis avec l'appareil)
	Ruban à mesurer 
	Clé Allen 
	Couteau utilitaire 
	Crayon 
	Niveau 
	Lunettes de sécurité 
	Tournevis 

✓	Des outils sont nécessaires (non fournis avec l'appareil)
	Clé à douille 
	Pince réglable 
	Clé réglable 
	Perceuse électrique 
	Marteau 
	Gants de sécurité 

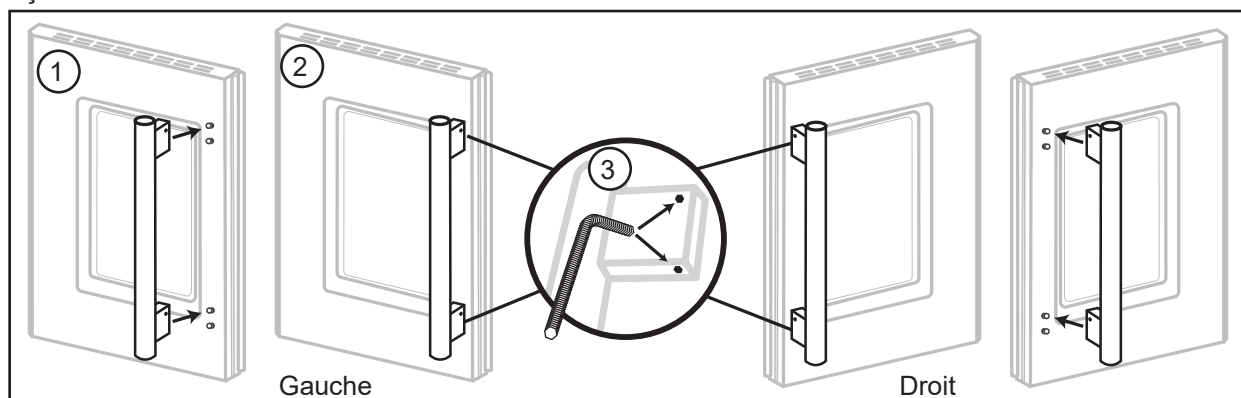
Avant de commencer l'installation, suivez les étapes nécessaires.

1. Retirer tous les matériaux d'emballage.
2. Assurez-vous que tous les accessoires sont présents. Contactez le service clientèle pour les pièces endommagées ou manquantes au 1-866-231-8893 ou envoyez un courriel à info@forno.ca.

Installation de la poignée de porte

La poignée de porte n'est pas préinstallée. Pour installer les poignées, vous pouvez vous référer au diagramme ci-dessous qui vous montrera comment les installer étape par étape.

Porte française :



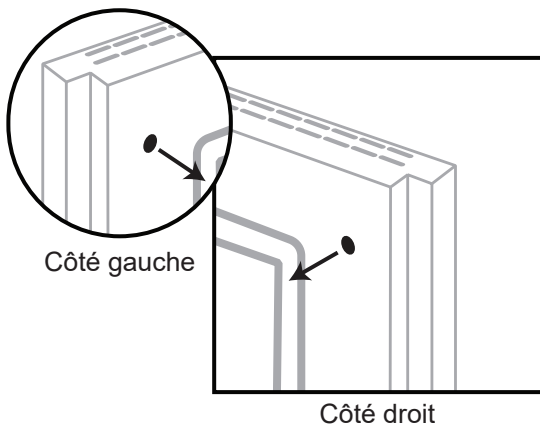
Répéter les étapes 1 à 3 pour la porte de droite.

Installation de la poignée de porte (suite)

Porte Chef : Uniquement pour FBOEL1388-30 : Four inférieur

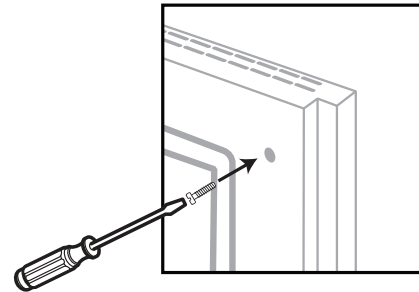
Étape 1 :

Ouvrez la porte du four et retirez les deux capuchons en caoutchouc noir situés à l'arrière de la porte du four. Veillez à ne pas rayer l'émail. **NE PAS JETER** le bouchon



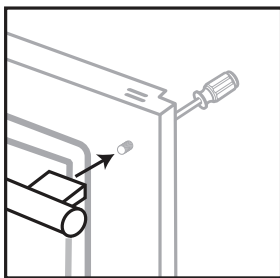
Étape 2 :

Pour atteindre la vis encastrée, insérez le tournevis dans le trou et poussez la vis vers l'avant jusqu'à ce que le filetage apparaisse de l'autre côté.



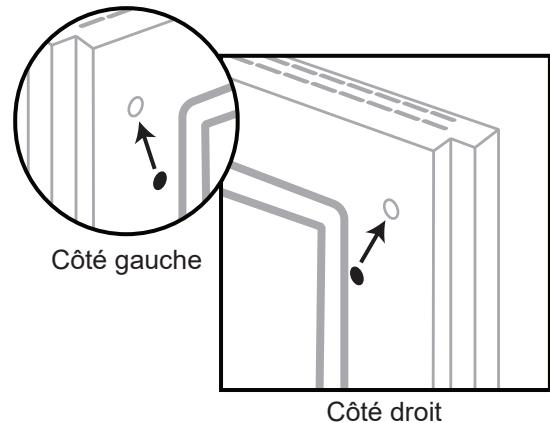
Étape 3 :

Positionnez correctement le support de la poignée pour accepter le boulon à vis sur l'extérieur de la porte du four, puis serrez la vis. Ne pas trop serrer la vis.

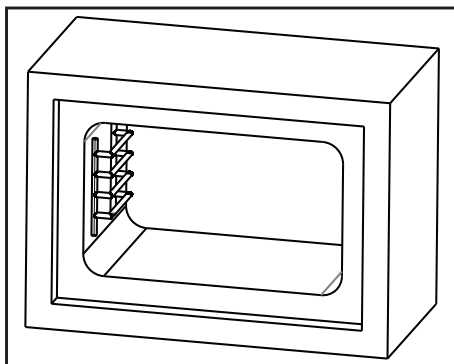


Étape 4 :

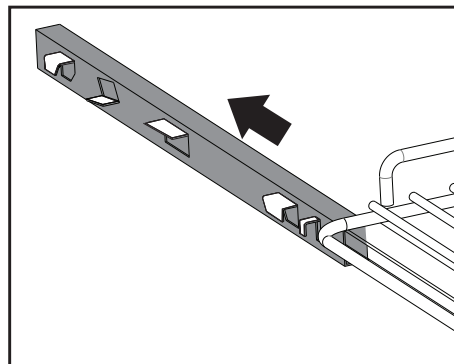
Répétez les étapes 1 à 3 pour les autres portes, puis remplacez le capuchon en caoutchouc noir.



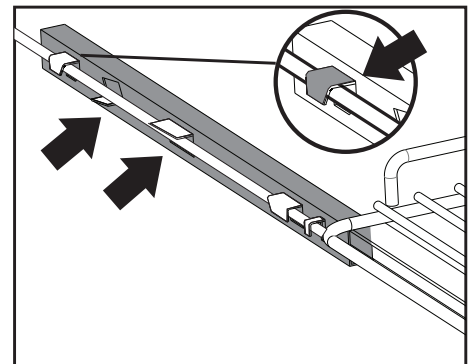
Installation de la grille du four



1-Ouvrir la porte du four



2- Tirer le rail vers l'extérieur



3- Assurez-vous que la première charnière glisse sur le dessus du bras, la deuxième charnière en bas, et les deux avant doivent être sur le dessus du bras. Pousser le support complètement vers l'arrière. L'installation est ainsi terminée.

Installation de la grille du four (suite)

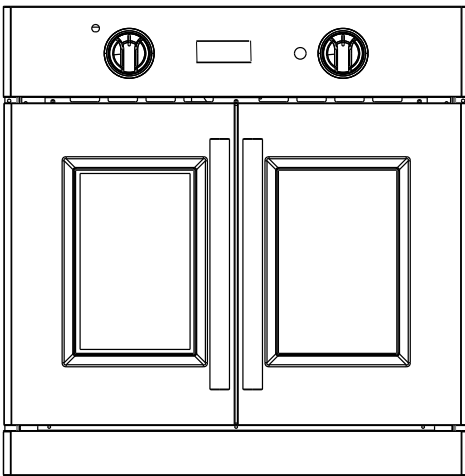
Pour retirer et repositionner le rack, soulevez l'avant des deux rails, puis soulevez et tirez les rails vers vous. Soulevez ensuite l'arrière des rails et repositionnez le rack sur le nouveau niveau.

Électricité Exigences

Votre appareil doit être mis à la terre conformément aux codes locaux ou, en l'absence de codes locaux, conformément au Code national de l'électricité (ANSI/NFPA 70, dernière édition). Au Canada, la mise à la terre doit être conforme au code canadien de l'électricité CSA C22.1, partie 1, et/ou aux codes locaux.

La polarité de l'alimentation électrique doit être correcte. L'inversion de la polarité provoque des étincelles continues dans les électrodes, même après l'allumage de la flamme. En cas de doute sur la polarité ou la mise à la terre de l'alimentation, faites-la vérifier par un électricien qualifié.

Les performances peuvent être compromises si l'alimentation électrique est inférieure à 240 volts. Le four est fourni avec un conduit composé de deux conducteurs chauds isolés et d'un conducteur de terre nu. Le schéma de câblage du circuit de commande est fourni avec le four.

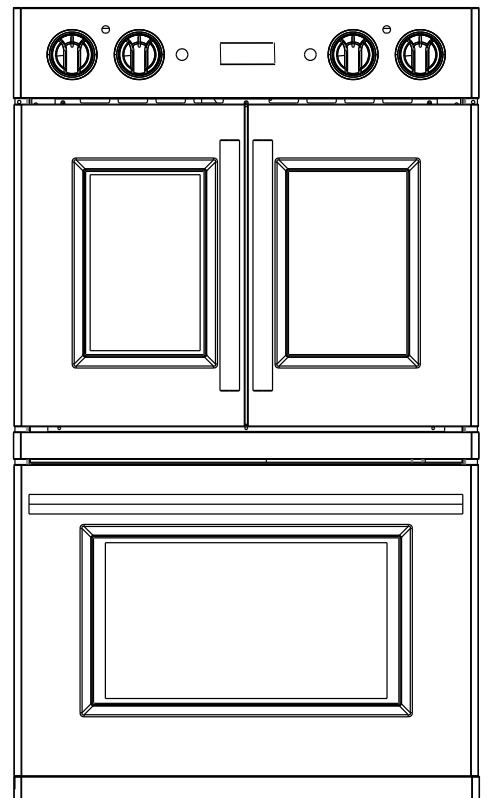


Exigences électriques - FBOEL1371-30 (four simple)

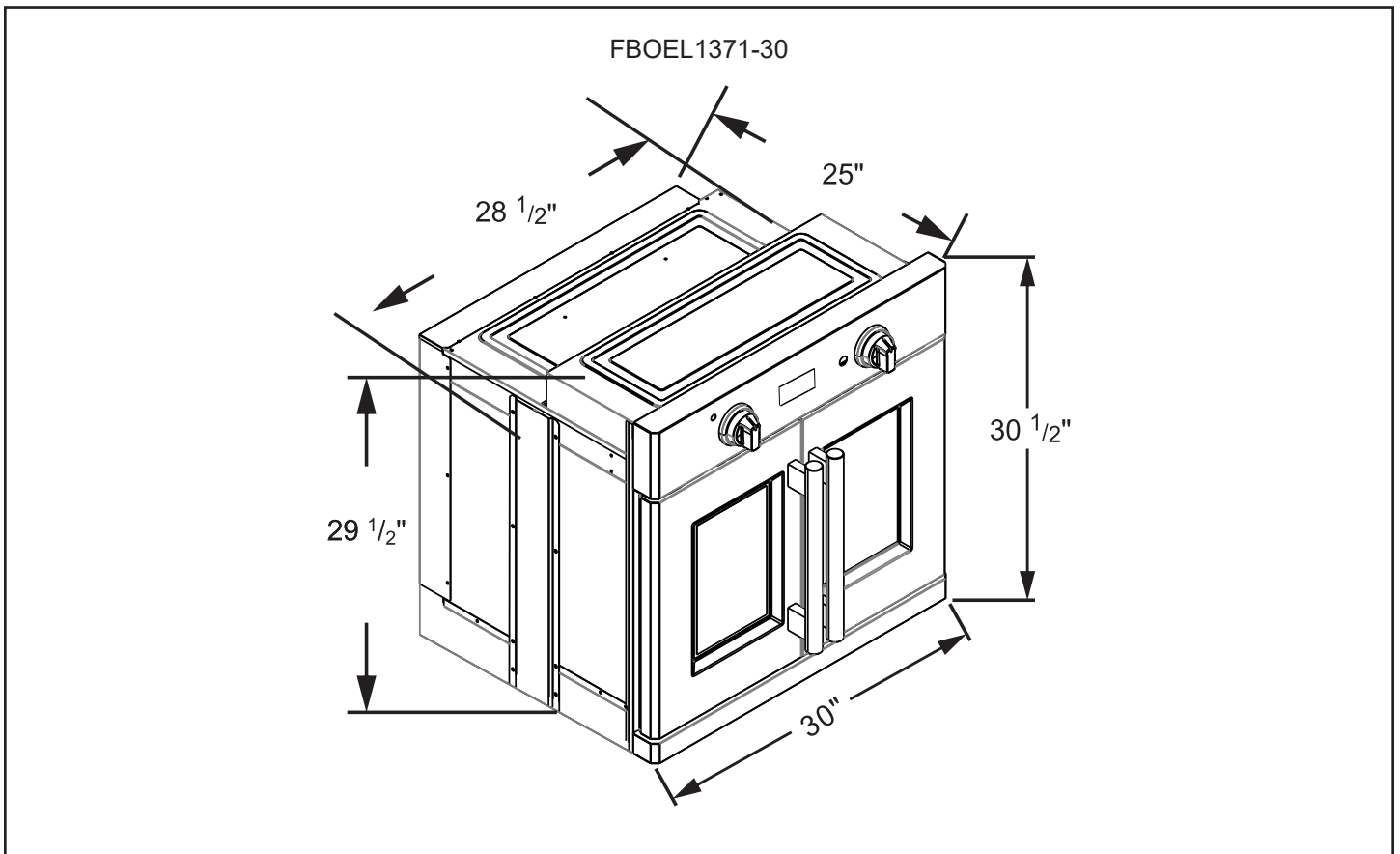
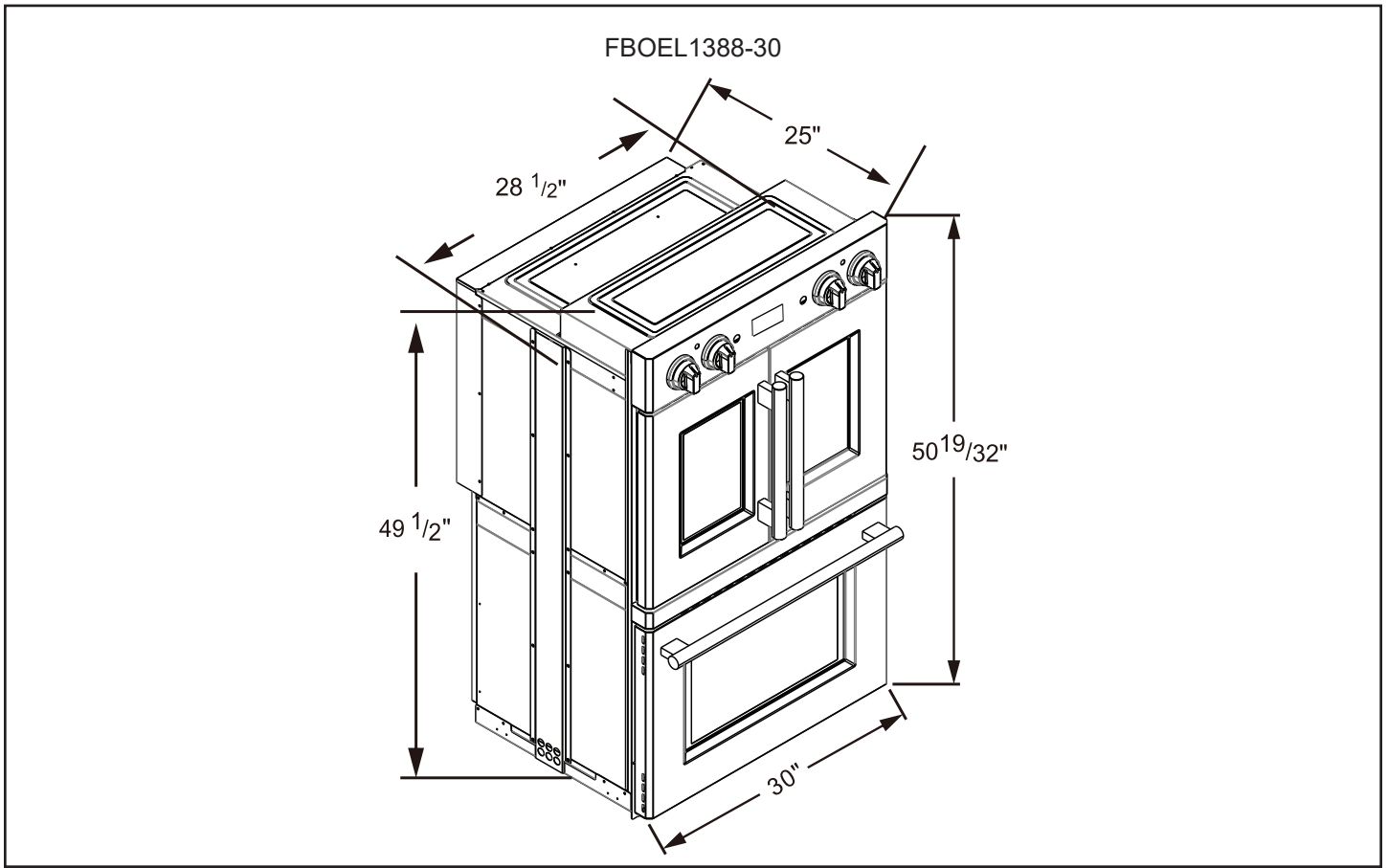
Fourniture d'électricité	Mise à la terre, 240 VAC, 60Hz
Service	circuit dédié de 30 ampères
Conduit	63" (1.6m)
Ampères totaux	16
Charge connectée maximale	3.6kW

Exigences électriques - FBOEL1388-30 (four double)

Fourniture d'électricité	Mise à la terre, 240 VAC, 60Hz
Service	circuit dédié de 50 ampères
Conduit	63" (1.6m)
Ampères totaux	32
Charge connectée maximale	7.2kW



Dimension du produit



Dimension du produit

L'INSTALLATION ET L'ENTRETIEN DOIVENT ÊTRE EFFECTUÉS PAR UN INSTALLATEUR QUALIFIÉ. IMPORTANT : A CONSERVER POUR L'USAGE DE L'INSPECTEUR ELECTRIQUE LOCAL. LISEZ ET CONSERVEZ CES INSTRUCTIONS POUR TOUTE RÉFÉRENCE ULTÉRIEURE.

États-Unis et Canada

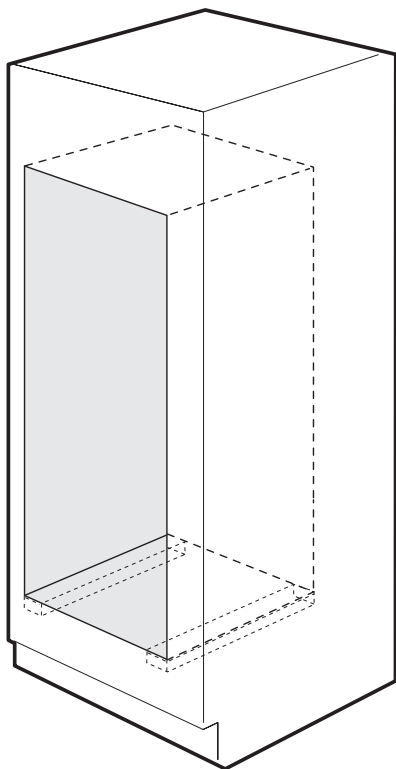


POUR VOTRE SÉCURITÉ : Ne stockez pas et n'utilisez pas d'essence ou d'autres vapeurs et liquides inflammables à proximité de cet appareil ou de tout autre appareil. Votre nouveau four mural a été conçu pour s'adapter à différentes tailles de découpe afin de faciliter l'installation. La première étape de l'installation consiste à mesurer les dimensions actuelles de la découpe et à les comparer au tableau des dimensions de découpe ci-dessous pour votre modèle. Il est possible que les travaux d'ébénisterie ne soient pas ou peu nécessaires.

Menuiserie et support : Reportez-vous aux dimensions de votre appareil, aux découpes du meuble et à l'espace nécessaire pour installer le four. Le support du four ou la surface de base doit être en contreplaqué massif, en bois massif ou en un matériau dont il a été vérifié qu'il répond aux exigences de température et de résistance requises pour votre installation. Il ne faut pas utiliser de panneaux de fibres, de bois stratifié/enrobé ou d'autres matériaux dont la conformité aux exigences de température et de résistance n'a pas été vérifiée.

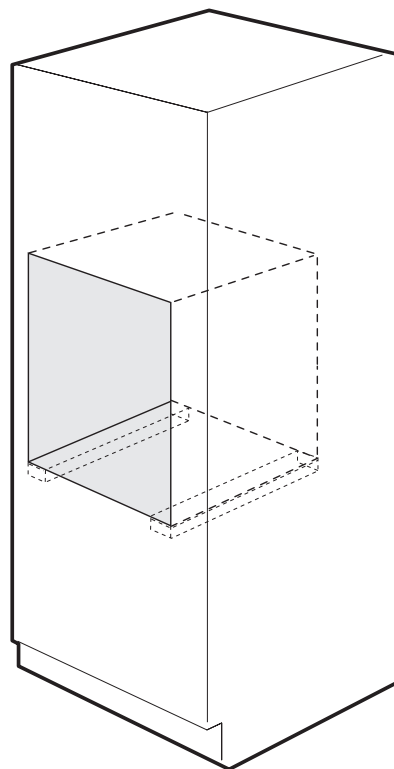
- Tous les matériaux utilisés pour l'installation doivent résister à des températures de 90 °C (194 °F).
- La surface d'appui doit être plane et de niveau d'un côté à l'autre et de l'avant à l'arrière.

Si l'armoire ne dispose pas d'un sol solide ou d'une surface d'appui, des entretoises peuvent être installées dans l'armoire. Des renforts peuvent également être utilisés sous le plancher de l'armoire pour plus de solidité et de soutien. Les supports doivent aller de l'avant à l'arrière, répondre à toutes les exigences en matière de matériaux et de température, et être plats et de niveau. Le renfort doit être d'une largeur minimale de 5 cm (2") pour soutenir les rails latéraux du four. Il est recommandé d'utiliser des montants standard de 5 cm x 10 cm (2" x 4").



FBOEL1388-30

1. La base doit pouvoir supporter 330 livres (150 kg).
2. Le contreplaqué ou le bois massif doit avoir une épaisseur d'au moins $\frac{3}{4}$ " (1,9 cm).



FBOEL1371-30

1. La base doit pouvoir supporter 200 livres (90 kg).
2. Le contreplaqué ou le bois massif doit avoir une épaisseur d'au moins $\frac{1}{2}$ " (1,3 cm).

Dimension du produit (suite)



AVERTISSEMENT

Ne retirez pas les entretoises (le cas échéant) sur les parois latérales du four encastré. Ces entretoises permettent de centrer le four dans l'espace prévu à cet effet. Le four doit être centré afin d'éviter toute accumulation de chaleur excessive susceptible d'entraîner des dommages ou un incendie.

FBOEL1388-30

NOTES :

1. Laissez un espace minimum de 21" (53,3 cm) à l'avant de l'appareil pour la porte du four lorsqu'elle est ouverte.
2. La dimension G (profondeur de la découpe) est essentielle à la bonne installation du four encastré. Si la garniture du four ne s'appuie pas contre l'armoire, ou si des bruits se font entendre sur les modèles à convection, vérifiez la dimension G pour vous assurer qu'elle est conforme à la dimension requise.
3. Pour une hauteur de découpe supérieure à 49³/₄" (126,4 cm), ajoutez une cale en bois de 2" (5 cm) de large et de hauteur appropriée de chaque côté de l'ouverture sous les rails latéraux de l'appareil (non inclus).

DIMENSIONS DE LA DÉCOUPE	
A	Min : 49 ¹ / ₃₂ " Max : 50 ¹ / ₄ "
B	Min : 28 ¹ / ₂ " Max : 29"

Dimension du produit (suite)



AVERTISSEMENT

Ne retirez pas les entretoises (le cas échéant) sur les parois latérales du four encastré. Ces entretoises permettent de centrer le four dans l'espace prévu à cet effet. Le four doit être centré afin d'éviter toute accumulation de chaleur excessive susceptible d'entraîner des dommages ou un incendie.

FBOEL1371-30

25 ⁵/₁₆"

28 ¹/₂"

30 ¹/₂"

29 ¹/₂"

30"

Porte ouverte

47"

1 ¹/₂"

A

24"

Trou pour le câble

Électricité
Boîte de jonction

Entretoise en bois de 2"
de large si nécessaire

3"

2"

**31"

DIMENSIONS DE LA DÉCOUPE	
A	Min : 29 ¹ / ₂ " Max : 30 ¹ / ₄ "
B	Min : 28 ¹ / ₂ " Max : 29"

**La distance suggérée à partir du sol est de 31". La distance minimale requise est de 4 ¹/₂".

NOTES :

1. Laissez un espace minimum de 47" devant l'appareil pour la porte du four lorsqu'elle est ouverte.
2. La dimension 24" est essentielle à l'installation correcte du four encastré. Si la garniture du four ne s'appuie pas contre l'armoire, ou si des bruits se font entendre sur les modèles à convection, vérifiez la profondeur de 24" pour vous assurer qu'elle correspond bien à la profondeur requise.
3. Pour une hauteur de découpe supérieure à 30 ¹/₄", ajoutez une cale en bois de 2" de large et de hauteur appropriée de chaque côté de l'ouverture, sous les rails latéraux de l'appareil (non inclus).

Instructions d'installation

IMPORTANT : Cet appareil ne doit être installé que par des personnes autorisées et conformément aux instructions d'installation du fabricant, aux codes de construction municipaux et aux réglementations en matière de câblage électrique. IL EST RECOMMANDÉ D'AVOIR AU MOINS DEUX PERSONNES POUR AIDER AU PROCESSUS D'INSTALLATION.

POUR INSTALLER VOTRE FOUR MURAL, SUIVEZ ATTENTIVEMENT LES ÉTAPES SUIVANTES :

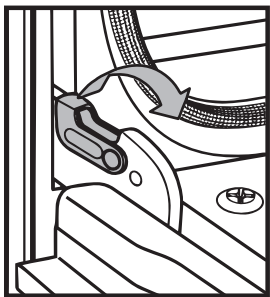
Étape 1 : Note : Ne pas utiliser la poignée ou toute autre partie du cadre avant pour le levage.

1. Déplacez l'emballage à l'endroit où vous souhaitez l'installer et placez le carton sous l'emballage pour éviter d'endommager le sol.
2. Retirez tous les matériaux d'expédition et les rubans adhésifs du four mural.
3. Mettez de côté la documentation et l'emballage du matériel.
4. Retirez les supports et les autres pièces et placez-les dans un endroit sûr.
5. Déplacez le four sur le carton près de l'endroit où il sera installé.

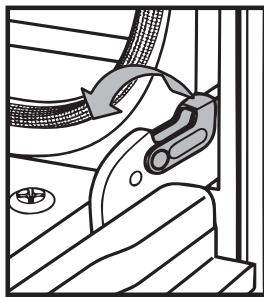
Étape 2 : Retirer la porte du four (PORTE DU CHEF UNIQUEMENT)

IMPORTANT : La porte du four est lourde et fragile, et la façade de la porte est en verre. Pour éviter de briser la vitre de la porte du four, utilisez vos deux mains et ne saisissez que les côtés de la porte du four pour la retirer.

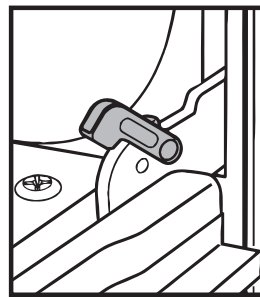
Pour retirer la porte du four : 1. Ouvrir complètement la porte du four. 2. Soulevez le loquet de la charnière de chaque côté pour l'ouvrir.



3. Charnière gauche



Charnière droite

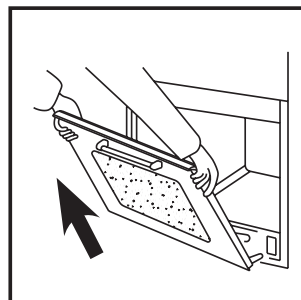


Ouvrez

4. Tout en saisissant les deux bords extérieurs de la porte du four, soulevez la porte.

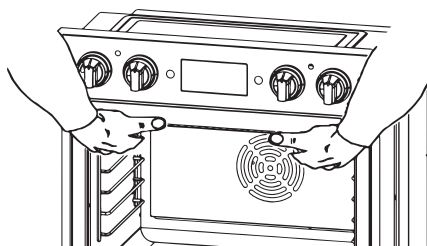
5. Continuez à pousser le haut de la porte pour la fermer tout en tirant le bas de la porte hors des récepteurs de charnière dans le cadre de la porte.

Fermez la porte du four jusqu'à ce qu'elle se



ÉTAPE 3 : Installation du four

1. À deux ou plusieurs personnes, saisissez le plafond de la cavité du four et soulevez le four sur une table ou une plateforme jusqu'à l'ouverture de la découpe.



NOTE : La plate-forme doit pouvoir supporter les poids suivants :

- Four simple : 178.5 lb (81 kg)
- Four double : 295 lb (134 kg)

2. Acheminez le conduit d'alimentation électrique flexible du four jusqu'à la boîte de jonction.

Instructions d'installation (suite)

ÉTAPE 4 : Effectuer la connexion électrique



AVERTISSEMENT



Risque de choc électrique

La mise à la terre par le conducteur neutre est interdite pour les nouvelles installations de circuits de dérivation (NEC 1996), les maisons mobiles et les véhicules de loisirs, ou dans une zone où les codes locaux interdisent la mise à la terre par le conducteur neutre. Pour les installations où la mise à la terre par le conducteur neutre est interdite, voir le graphique Neutre non mis à la terre.

Utiliser la borne ou le fil de mise à la terre pour mettre l'appareil à la terre.

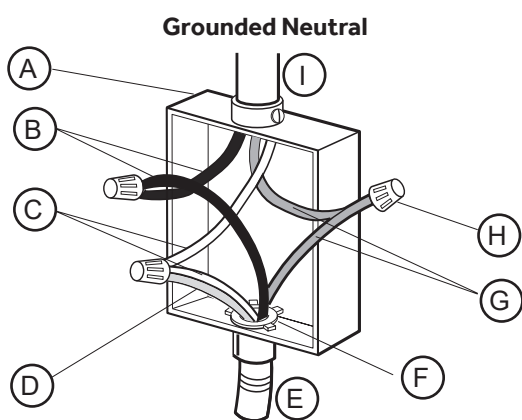
Connecter la borne ou le fil neutre au neutre du circuit de dérivation de la manière habituelle.

Le non-respect de cette consigne peut entraîner la mort, un incendie ou une électrocution.

CÂBLE À 3 FILS DE L'ALIMENTATION ÉLECTRIQUE DOMESTIQUE

Connexion à l'alimentation électrique de la maison

IMPORTANT : Utilisez le câble à 3 fils de l'alimentation électrique domestique lorsque les codes locaux autorisent une connexion à 3 fils.



A	Boîte de jonction
B	Fils noirs
C	Fils neutres (blancs)
D	Fil de terre (vert ou nu)
E	Câble du four
F	Connecteur de conduit homologué UL
G	Fils rouges
H	Connecteurs de fils homologués UL
I	Fourniture d'électricité à domicile

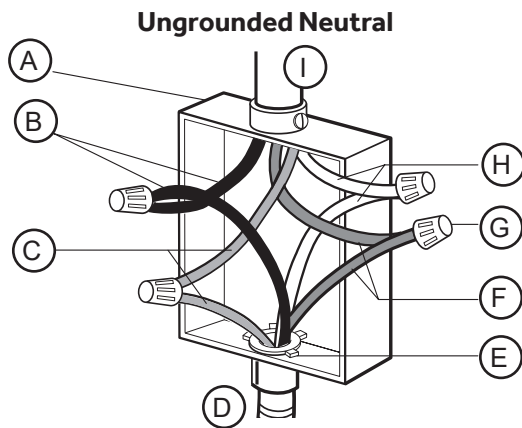
1. Débrancher l'alimentation.
2. Reliez les deux fils noirs à l'aide d'un connecteur homologué UL.
3. Connectez le fil neutre (blanc) et le fil de terre (vert ou nu) (du câble de la cuisinière) à l'aide d'un connecteur homologué UL.
4. Reliez les deux fils rouges à l'aide d'un connecteur homologué UL.
5. Installer le couvercle de la boîte de jonction.

CÂBLE À 4 FILS DE L'ALIMENTATION ÉLECTRIQUE DOMESTIQUE

Se connecter à l'alimentation électrique de la maison - U.S.A. Seulement

IMPORTANT : Utilisez le câble à 4 fils de l'alimentation électrique domestique aux États-Unis où les codes locaux n'autorisent pas la mise à la terre par le neutre, dans les nouvelles installations de circuits de dérivation (199e NEC), dans les maisons mobiles et les véhicules de loisirs, dans les nouvelles constructions et au Canada.

Instructions d'installation (suite)

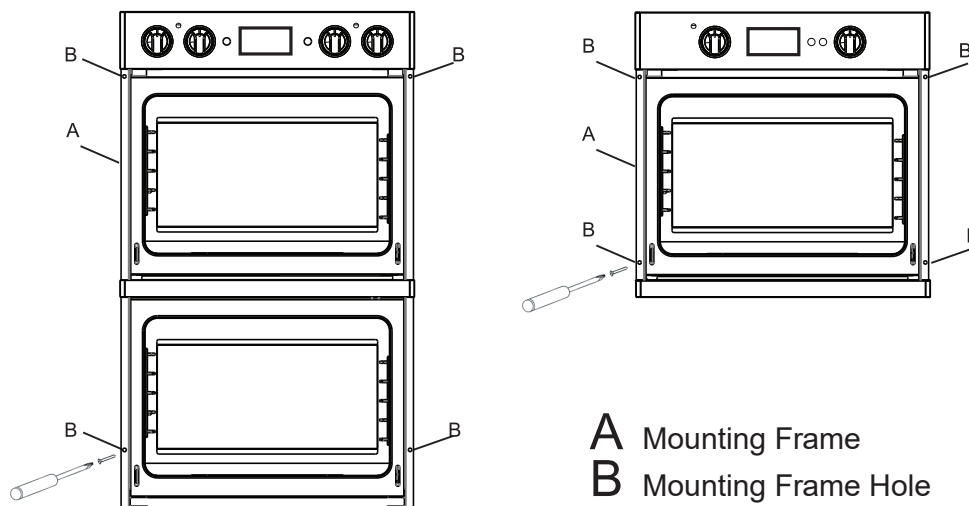


A	Boîte de jonction
B	Fils noirs
C	Fils rouges
D	Câble du four
E	Connecteur de conduit homologué UL ou CSA
F	Fil de terre (vert ou nu)
G	Connecteurs de fils homologués UL
H	Fils neutres (blancs)
I	Fourniture d'électricité à domicile

1. Débrancher l'alimentation
2. Connectez les 2 fils noirs b ensemble à l'aide d'un connecteur de fils homologué UL.
3. Connectez les deux fils rouges c ensemble à l'aide d'un connecteur de fils homologué UL.
4. Détordez le fil blanc du fil de terre vert (ou nu) provenant du four.
5. Connectez les 2 fils neutres (blancs) h ensemble à l'aide d'un connecteur de fils homologué UL.
6. Connectez le fil de terre (vert ou nu) du câble du four au fil de terre (vert ou nu) (dans la boîte de jonction) à l'aide d'un connecteur de fil homologué UL.
7. Installer le couvercle de la boîte de jonction

ÉTAPE 5 : Montage du four

1. Faites glisser le four complètement dans l'armoire jusqu'à ce que la surface arrière du cadre avant touche la paroi avant de l'armoire. Centrez le four dans la découpe du meuble. REMARQUE : Poussez contre la zone d'étanchéité du cadre avant du four lorsque vous poussez le four dans l'armoire. Ne pas pousser contre les bords extérieurs.



A Mounting Frame
B Mounting Frame Hole

2. Il y a quatre trous, deux de chaque côté du cadre avant qui entoure la cavité du four. Percez des avant-trous de 3,18 mm (1/8") à travers les trous et dans la paroi avant de l'armoire.
3. Insérez les vis # 8-14 x 1" (fournies) dans les avant-trous pour fixer solidement le four à l'armoire. Ne pas trop serrer les vis.
4. Remettez la grille en place et rebranchez le four.

Instructions d'installation (suite)

ÉTAPE 6 : Remettre la porte en place (si nécessaire)

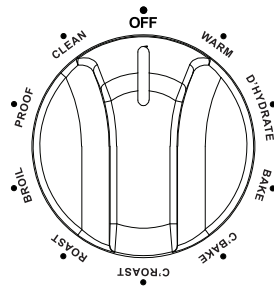
IMPORTANT : La porte du four est lourde et fragile, et la façade de la porte est en verre. Pour éviter de briser la vitre de la porte du four, utilisez vos deux mains et ne saisissez que les côtés de la porte du four pour la retirer.

1. Vérifiez que les loquets des charnières de la porte sont en avant, puis insérez les charnières de la porte du four dans les ouvertures.
2. Abaissez la porte du four pour qu'elle s'enclenche dans les charnières.
3. Appuyez sur les loquets de charnière pour les verrouiller.
- 4.

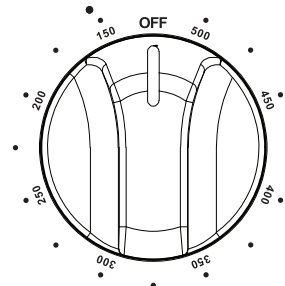
ÉTAPE 7 : Terminer l'installation

1. Vérifiez que toutes les pièces sont maintenant installées. S'il y a une partie supplémentaire, revenez en arrière pour voir quelle étape a été sautée.
2. Éliminer/recycler tous les matériaux d'emballage.
3. Commencez à utiliser le four en suivant les instructions du chapitre suivant.

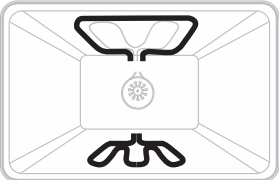
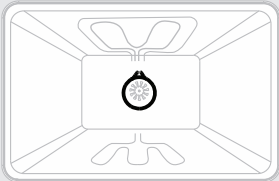
Instructions d'utilisation



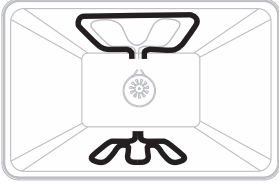
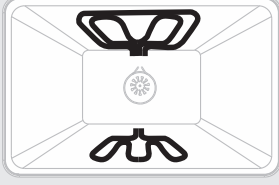
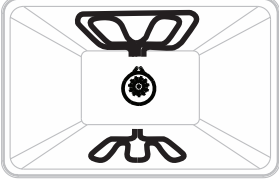
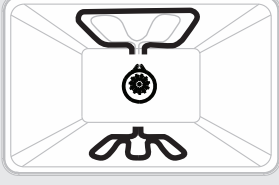
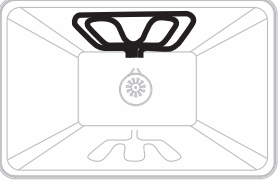
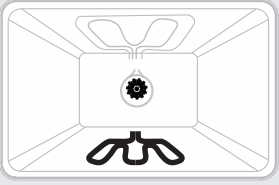
Bouton de fonction du four



Bouton de contrôle de la température

Paramètres	Opération
<p>Chaud</p> 	<p>Le mode Warm permet de maintenir les aliments cuits et chauds à la température de service. La température maximale de ce mode est de 170°F.</p> <ol style="list-style-type: none"> 1. Tournez le bouton de fonction du four sur Warm. 2. Tournez le bouton de réglage de la température sur n'importe quelle position entre 150°F et 250°F, le voyant s'allume. 3. Lorsque la température du four atteint 170°F, les éléments chauffants s'allument et s'éteignent automatiquement pour maintenir la température à l'intérieur du four. <p>CONSEILS : Les aliments doivent être à la température de service avant d'être placés dans le four chauffé. Les aliments peuvent être conservés jusqu'à une heure ; cependant, les pains et les plats en cocotte peuvent devenir trop secs s'ils sont laissés dans le four pendant la fonction Warm. Pour de meilleurs résultats, couvrir les aliments.</p>
<p>Déshydratation</p> 	<p>Le ministère de l'agriculture des États-Unis conseille de ne pas conserver les aliments à une température comprise entre 40°F et 140°F pendant plus de deux heures : NE PAS maintenir les aliments à une température comprise entre 40°F et 140°F pendant plus de deux heures - et la cuisson des aliments crus à une température inférieure à 275°F n'est pas recommandée, le réglage bas du four (entre 150°F et 225°F) peut être utilisé pour garder les aliments chauds et, dans des recettes spéciales, pour déshydrater les fruits et les légumes. La température maximale de ce mode est de 135°F. Pendant la déshydratation, le(s) ventilateur(s) de convection fait(font) circuler de l'air chaud sur les aliments, ce qui permet à l'humidité de s'échapper de la surface de l'aliment, et donc de le dessécher. Cette élimination de l'eau inhibe la croissance des micro-organismes et ralentit l'activité des enzymes. En commençant par les aliments les plus frais et de la meilleure qualité, préparez-les selon les instructions :</p> <ol style="list-style-type: none"> 1. Tournez le bouton de fonction du four sur Déshydratation. 2. Tournez le bouton de réglage de la température sur n'importe quelle position entre 150°F et 250°F, le témoin lumineux s'allume et le ventilateur de convection se met également en marche. 3. Lorsque la température du four atteint 135°F, les éléments chauffants s'allument et s'éteignent automatiquement pour maintenir la température à l'intérieur du four, <p>CONSEILS : Placez les aliments sur des grilles de séchage régulièrement espacées dans la cavité du four. N'oubliez pas de vérifier périodiquement si les aliments sont secs.</p>

Mode d'emploi (suite)

<p>Cuisson</p> 	<p>La cuisson est une cuisson à l'air chaud. Suivez les instructions de la recette ou du produit alimentaire pour la température de cuisson, le temps et la position de la grille. Le temps de cuisson varie en fonction de la température des ingrédients et de la taille, de la forme et de la finition du moule.</p> <ol style="list-style-type: none"> 1. Tournez le bouton de fonction du four sur Bake (cuisson). 2. Tournez le bouton de réglage de la température sur la position de température souhaitée, le voyant de température s'allume. 3. Lorsque le four atteint la température programmée, l'élément chauffant inférieur s'allume et s'éteint automatiquement pour maintenir la température à l'intérieur du four.
<p>Cuisson par convection</p> 	<p>Par rapport au mode BAKE (cuisson), le mode Convection Bake (cuisson par convection) utilise un ou plusieurs ventilateurs de convection pour faire circuler l'air chaud. La température et le temps de cuisson peuvent donc être légèrement réduits. Utiliser la cuisson par convection pour une cuisson sur une ou plusieurs grilles.</p> <p>Pour régler la cuisson par convection :</p> <ol style="list-style-type: none"> 1. Tournez le bouton de fonction du four sur Convection Bake (cuisson par convection). 2. Tournez le bouton de réglage de la température sur la position souhaitée, le voyant s'allume et le ventilateur de convection se met également en marche. 3. Lorsque le four atteint la température programmée, les éléments chauffants inférieurs et supérieurs et l'élément chauffant arrière s'allument et s'éteignent automatiquement pour maintenir la température à l'intérieur du four. <p><i>Conseils : Lors de la cuisson par convection, réduisez la température de cuisson de votre recette de 25°F.</i></p>
<p>Rôti par convection</p> 	<p>Pour le rôtissage par convection, réglez la température normale de rôtissage. Le temps de rôtissage doit être inférieur de 15 à 30 % à celui de la cuisson conventionnelle. Il n'est pas nécessaire de préchauffer le four pour le rôti par convection.</p> <ol style="list-style-type: none"> 1. Tournez le bouton de fonction du four sur Convection Roast. 2. Tournez le bouton de réglage de la température sur la position souhaitée, le voyant s'allume et le ventilateur de convection se met également en marche. 3. Lorsque le four atteint la température programmée, les éléments chauffants supérieurs et l'élément chauffant arrière s'allument et s'éteignent automatiquement pour maintenir la température à l'intérieur du four.
<p>Rôti</p> 	<p>Par rapport au mode Rôtissage par convection, le mode Rôtissage ne nécessite pas de ventilateur de convection.</p> <ol style="list-style-type: none"> 1. Tournez le bouton de fonction du four sur Rôti. 2. Tournez le bouton de réglage de la température sur la position de température souhaitée, le voyant s'allume. 3. Lorsque le four atteint 100°F, les éléments chauffants inférieurs et supérieurs se mettent en marche automatiquement pour maintenir la température à l'intérieur du four.
<p>Griller</p> 	<p>Lors de l'utilisation du gril, la position de la grille dépend de l'aliment et de l'épaisseur de la viande. Pour de meilleurs résultats, faites griller de petites pièces de viande plates telles que des steaks, des hamburgers, des côtelettes ou des poitrines de poulet désossées.</p> <ol style="list-style-type: none"> 1. Tournez le bouton de fonction du four sur Broil. 2. Tournez le bouton de réglage de la température sur la position de température souhaitée, le voyant s'allume. 3. Lorsque le four atteint la température programmée, les éléments chauffants supérieurs s'allument et s'éteignent automatiquement pour maintenir la température à l'intérieur du four. <p><i>Conseils : La porte du four reste fermée pendant la cuisson au gril. Lorsque vous inspectez les aliments, n'ouvrez pas la porte du four de plus de deux pouces. Le brûleur s'éteint mais se rallume dans les quatre secondes qui suivent la fermeture de la porte.</i></p>
<p>Preuve</p> 	<p>Lorsqu'il est placé en mode de fermentation, le four maintient un environnement chaud, sans courant d'air, utile pour la fermentation des produits de boulangerie à base de levure. La température maximale de ce mode est de 100°F.</p> <ol style="list-style-type: none"> 1. Tournez le bouton de fonction du four sur Proof. 2. Tournez le bouton de réglage de la température sur la position souhaitée, le voyant s'allume et le ventilateur de convection se met également en marche. 3. Lorsque le four atteint la température programmée, l'élément chauffant inférieur s'allume et s'éteint automatiquement pour maintenir la température à l'intérieur du four. <p><i>Conseils : Il est recommandé d'effectuer la fermentation sur la grille la plus basse. N'ouvrez pas la porte du four inutilement, car cela abaisse la température du four et augmente le temps de fermentation. N'utilisez pas le mode "Proof" pour réchauffer des aliments ou les maintenir chauds. La fonction de fermentation ne maintient pas le four suffisamment chaud pour conserver les aliments à des températures sûres.</i></p>

Mode d'emploi (suite)

Nettoyer

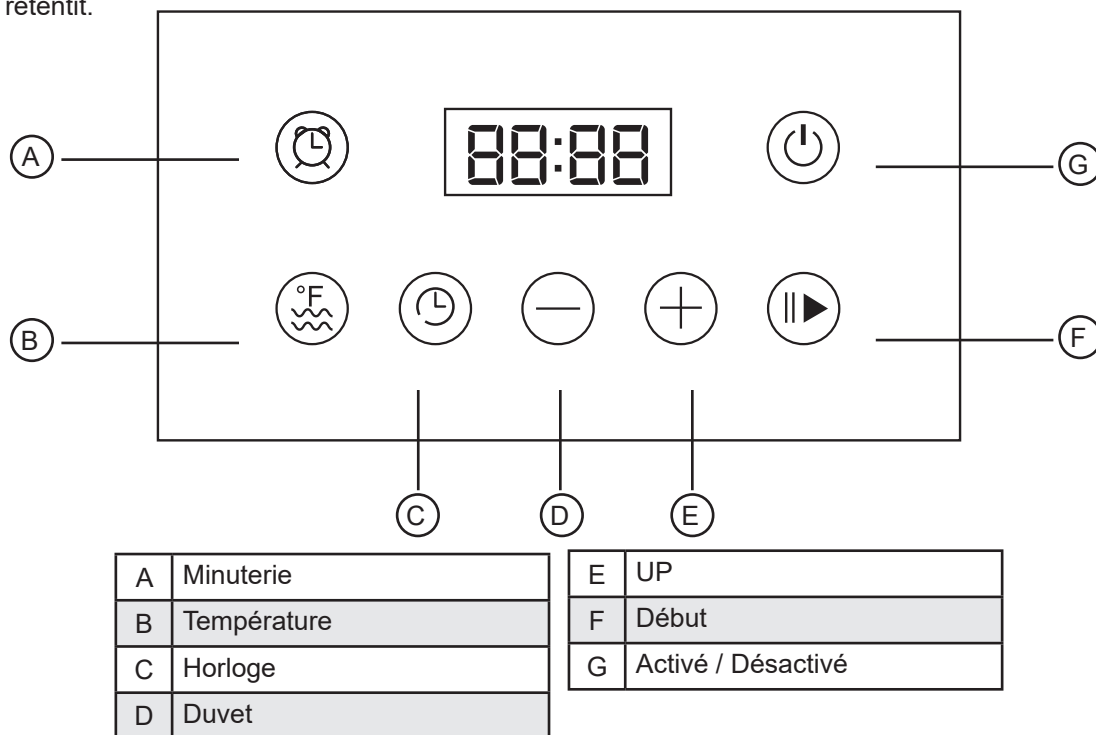
Utilisez le mode Clean pour nettoyer régulièrement l'intérieur du four. La température de travail est de 500°F et le temps de travail est de 1 heure. Il n'est pas nécessaire de retirer les grilles de cuisson. Le sol est brûlé par la chaleur intense.

1. Tournez le bouton de fonction du four sur Clean.
2. Tournez le bouton de réglage de la température sur la position maximale, le voyant s'allume.
3. Les éléments chauffants supérieurs et inférieurs s'allument et s'éteignent automatiquement jusqu'à ce que les boutons soient en position OFF.

Conseils : Une fois le nettoyage terminé, laissez refroidir jusqu'à ce que vous soyez sûr, essayez un chiffon humide, puis séchez. Ce processus ramollit le sol pour faciliter l'enlèvement.

Affichage numérique

Lorsque vous branchez la cuisinière pour la première fois ou lorsque l'alimentation est rétablie, l'écran affiche 88:88 et un signal sonore retentit.



Minuterie

Appuyez sur la touche TIMER pour accéder au réglage. L'écran affiche 03:00. Réglez l'heure en appuyant sur les boutons UP ou DOWN (00-24), puis appuyez sur TIMER et répétez les étapes pour les minutes (00-59). Pour confirmer le réglage, il suffit d'appuyer à nouveau sur la touche TIMER ou d'attendre environ 5 secondes. Pour arrêter le réglage de la minuterie, il suffit de maintenir la touche TIMER enfoncée pendant 3 secondes.

Sous Vide

- Étape 1 : Appuyez sur la touche TEMPERATURE pour lancer le réglage de la fonction sous vide. L'écran affiche 104°F. Réglez la température en appuyant sur les boutons UP ou DOWN (104°F-212°F), lorsque vous avez terminé, appuyez à nouveau sur le bouton TEMPERATURE ou attendez environ 5 secondes pour confirmer le réglage de la température.
- Étape 2 : Appuyez sur la touche TIMER pour régler le temps de cuisson. L'écran affiche 03:00. Réglez l'heure en appuyant sur les boutons UP ou DOWN (00-24), puis appuyez sur TIMER et répétez les étapes pour les minutes (00-59). Pour confirmer le réglage, il suffit d'appuyer à nouveau sur la touche TIMER ou d'attendre environ 5 secondes.
- Étape 3 : Appuyez sur START pour accéder à la fonction de sous-vide. L'élément chauffant du four et le ventilateur fonctionnent ensemble, l'écran affichant le temps restant et la température du four en temps réel toutes les 5 secondes. Lorsque le four est en mode de cuisson sous vide, répétez les étapes 1 et 2 pour ajuster la température ou la durée si nécessaire. Appuyez sur START pour accéder à nouveau à la fonction sous-vide. Pour quitter la fonction sous vide, il suffit de maintenir la touche START pendant 3 secondes.

Note : Toujours régler la température en priorité pour utiliser la fonction sous-vide. Régler la minuterie avant de régler la température ne permet pas de faire fonctionner la fonction sous vide.

Mode d'emploi (suite)

Horloge

Appuyez sur la touche CLOCK pendant environ 3 secondes pour accéder au réglage. L'écran affiche 12:00. Réglez l'heure en appuyant sur les boutons UP ou DOWN (01-12), puis appuyez sur CLOCK et répétez les étapes pour les minutes (00-59).

Pour confirmer le réglage, il suffit d'appuyer à nouveau sur la touche CLOCK ou d'attendre environ 5 secondes.

Autre fonction :

1. Une pression prolongée sur le bouton UP ou DOWN permet d'accélérer le réglage.
2. Lorsque vous utilisez la fonction sous-vide, appuyez simultanément sur les boutons UP et DOWN pour faire varier la température entre °F et °C.
3. Appuyez sur la touche POWER pendant 3 secondes pour activer la fonction de verrouillage des enfants, et maintenez-la enfoncée pendant 3 secondes supplémentaires pour désactiver la fonction de verrouillage des enfants.

Attention

La cuisson sous vide ne peut pas être utilisée en même temps que le mode de cuisson normal. Si l'un des boutons est activé, la fonction de sous-vide ne peut pas être utilisée. La cuisson normale ne peut pas non plus être utilisée lorsque la fonction sous vide fonctionne.

Entretien et maintenance

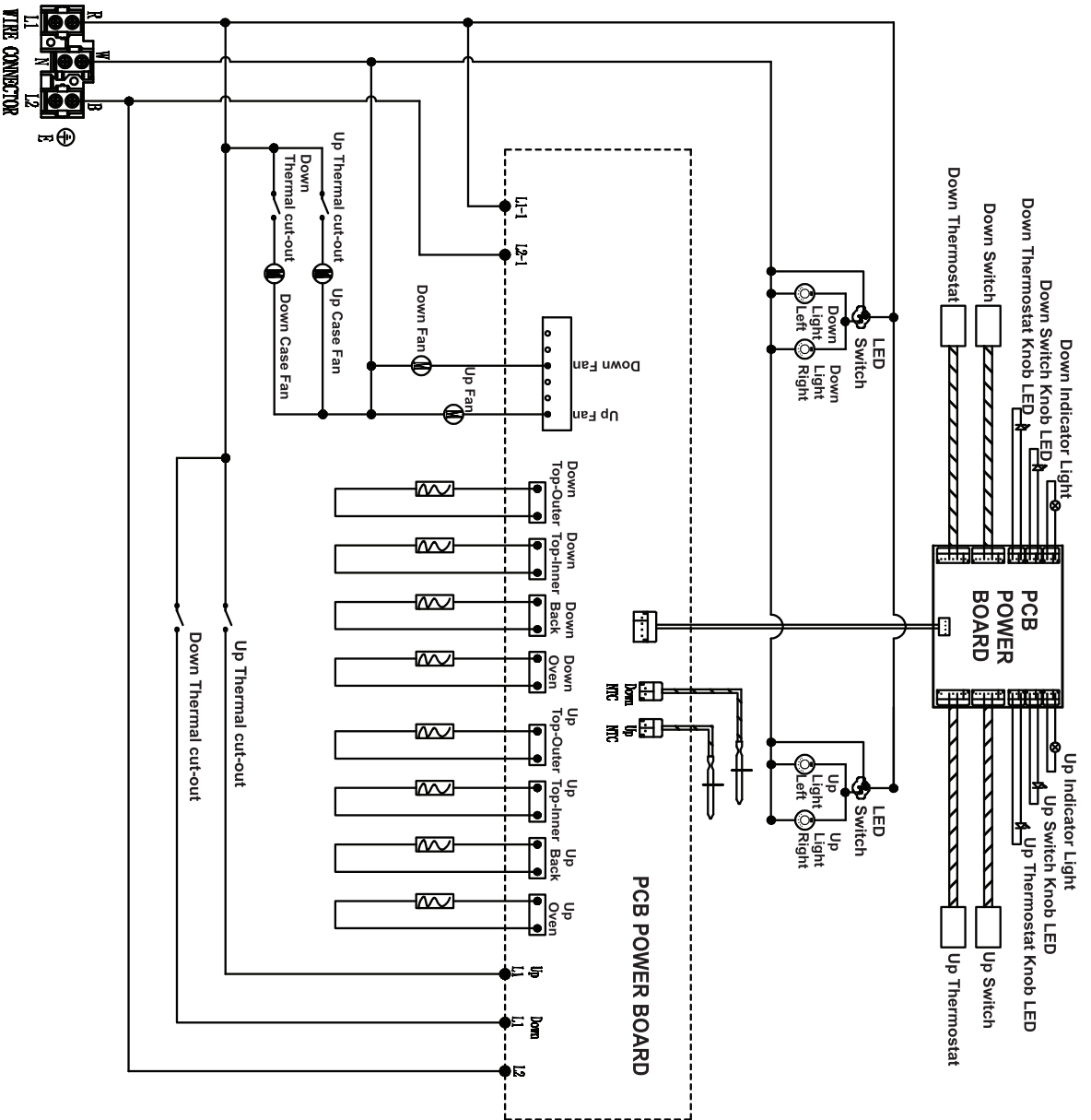
Acier inoxydable	Utilisez un nettoyant non abrasif pour acier inoxydable, appliquez-en une petite quantité sur un chiffon doux, essuyez légèrement la surface en acier inoxydable, puis séchez-la avec une serviette. Lorsque vous essuyez la surface en acier inoxydable, suivez toujours le grain du métal.
Boutons de commande	À l'aide d'un chiffon humide, essuyer avec un détergent doux ou un décapant en spray ; rincer et sécher. Ne pas mettre au lave-vaisselle pour le nettoyage.
Intérieur du four	Utiliser des nettoyants abrasifs doux, des décapants en spray. Utilisez une lame de rasoir pour retirer délicatement les aliments cuits de la cavité et de la fenêtre du four. Pour les taches tenaces, vaporiser un nettoyant abrasif doux ou un décapant en spray. Nettoyez toute la cavité du four avec de l'eau et du savon.
Grilles de four	Pour nettoyer la grille supérieure, utilisez un détergent doux et un tampon à récurer. Rincer et sécher. Pour nettoyer le plateau inférieur, jeter la graisse et laver avec de l'eau chaude et un détergent doux. Rincer et sécher. La grille en acier inoxydable peut être lavée au lave-vaisselle. Ne pas mettre la grille ou la casserole revêtue de porcelaine dans le lave-vaisselle pour la nettoyer.

Dépannage

Pour remplacer l'ampoule de la lampe du four, dévissez le couvercle de la lampe à l'intérieur du four et remplacez-la par une ampoule à incandescence halogène de 25 watts.

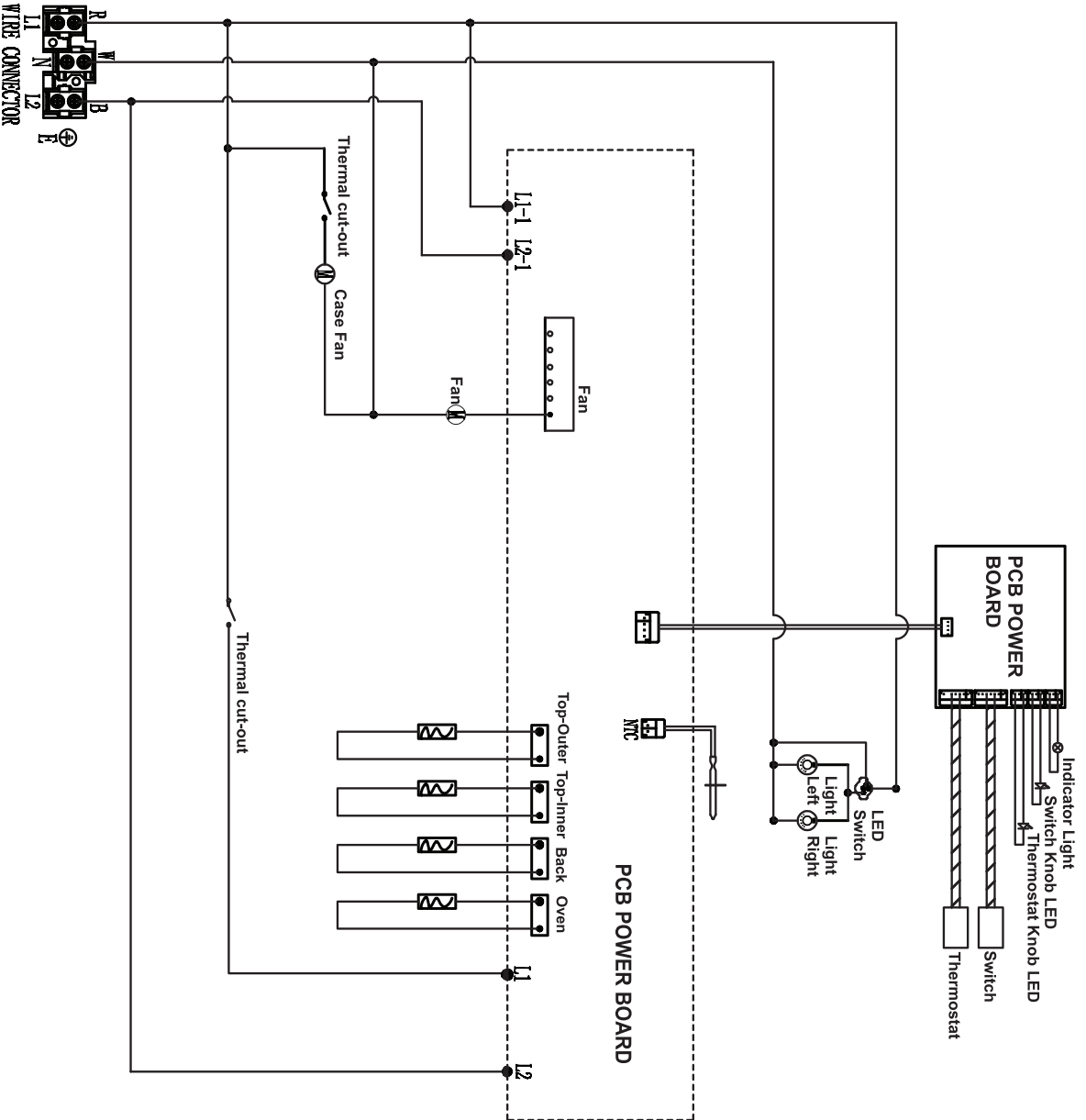
Numéro	Cause possible	Solution
Humidité excessive	Le four n'a pas été correctement préchauffé.	Lorsque vous utilisez le mode cuisson, préchauffez d'abord le four. La cuisson et le rôtissage par convection éliminent toute humidité dans le four (l'un des avantages de la convection).
Le four ne chauffe pas.	Le four n'est pas alimenté, le mode de cuisson ou la température n'est pas sélectionné(e).	Mettez l'appareil sous tension au niveau de l'alimentation principale (boîte à fusibles ou à disjoncteurs). Vérifiez que le mode de cuisson est correct ou sélectionnez la température appropriée. Si la situation persiste, appelez un électricien qualifié.
Le four ne cuit pas uniformément	La grille du four n'est pas dans la bonne position.	Ajustez la température du four ou mettez la grille du four dans la bonne position.
L'éclairage du four ne fonctionne pas correctement.	L'ampoule est mal fixée ou grillée.	Éteignez le four au niveau du disjoncteur et attendez quelques secondes. Insérer fermement l'ampoule ou la changer directement.
Le ventilateur de refroidissement continue de fonctionner après l'arrêt du four.	Les éléments du four n'ont pas suffisamment refroidi.	Le ventilateur s'arrête automatiquement après l'arrêt du four lorsque les composants électroniques ont suffisamment refroidi.
L'écran affiche Err1 Err2 Err3	Code d'erreur pour la carte PCB	Err1 : connexion anormale des fils Err2 : Signal anormal du capteur pour le poulet de chair Err3 : Signal de sonde anormal pour le four

FBOEL1388-30



Caution: Label all wires prior to disconnection when servicing controls. Wiring errors can cause improper and dangerous operation. Verify proper operation after servicing.

FBOELL1371-30



Caution: Label all wires prior to disconnection when servicing controls. Wiring errors can cause improper and dangerous operation. Verify proper operation after servicing.

Garantie

Ce que couvre cette garantie limitée :

La couverture de la garantie fournie par Forno Appliances dans cette déclaration s'applique exclusivement à l'appareil Forno original ("Produit") vendu au consommateur ("Acheteur") par un concessionnaire/distributeur/détaillant Forno agréé, acheté et installé aux États-Unis ou au Canada, et qui est toujours resté dans le pays d'achat d'origine (les États-Unis ou le Canada). La couverture de la garantie est activée à la date de l'achat initial du produit au détail et a une durée de deux (2) ans.

La couverture de la garantie n'est pas transférable. En cas de remplacement de pièces ou de l'ensemble du produit, le produit de remplacement (ou les pièces) bénéficiera de la garantie d'origine restante, activée avec le document d'achat au détail d'origine. La présente garantie n'est pas étendue à ce remplacement. Forno Appliances réparera ou remplacera tout composant/partie qui tombe en panne ou s'avère défectueux en raison des matériaux et/ou de la fabrication dans les deux ans suivant la date de l'achat au détail d'origine et dans des conditions d'utilisation résidentielle ordinaire et non commerciale. La réparation ou le remplacement sera gratuit, y compris la main-d'œuvre aux taux standard et les frais d'expédition. Il incombe à l'acheteur de rendre le produit raisonnablement accessible pour l'entretien. Le service de réparation doit être effectué par une société de service agréée par Forno pendant les heures normales de travail.

Important

Conserver la preuve de l'achat original pour établir la période de garantie. La responsabilité de Forno pour toute réclamation de quelque nature que ce soit, concernant les marchandises et/ou les services fournis, ne dépassera en aucun cas la valeur des marchandises ou des services ou d'une partie de ceux-ci qui ont donné lieu à la réclamation.

garantie cosmétique de 30 jours

L'acheteur doit inspecter le produit au moment de la livraison. Forno garantit que le produit est exempt de défauts de fabrication et de main-d'œuvre pendant une période de trente (30) jours à compter de la date d'achat au détail du produit.

Cette couverture comprend :

- Défauts de peinture
- Chips
- Défauts de finition macroscopiques

La garantie cosmétique ne couvre PAS :

- Problèmes résultant d'un transport, d'une manipulation et/ou d'une installation incorrects (par exemple : bosses, structures ou composants cassés, gauchis ou déformés, composants en verre fissurés ou autrement endommagés) ;
- Légères variations de couleur sur les composants peints/émaillés ;
- Les différences dues à l'éclairage naturel ou artificiel, à l'emplacement ou à d'autres facteurs analogues ; > les taches/corrosion/décoloration dues à des substances externes et/ou à des facteurs environnementaux ; > les coûts de main-d'œuvre, les appareils d'exposition, d'étage, de stock B, hors boîte, "en l'état" et les appareils de démonstration.

Comment recevoir un service

Pour bénéficier des services de garantie, l'acheteur doit contacter le service d'assistance de Forno afin de déterminer le problème et les procédures de service requises. Un dépannage avec un représentant du service clientèle sera nécessaire avant de poursuivre le service. Le numéro de modèle, le numéro de série et la date d'achat au détail seront demandés.

Exclusions de la garantie : Ce qui n'est pas couvert.

- L'utilisation du produit dans une application commerciale non résidentielle.
- L'utilisation du produit à d'autres fins que celles prévues.
- Les services de réparation fournis par toute personne autre qu'une agence de service agréée par Forno.
- Les dommages ou les services de réparation pour corriger des services fournis par des parties non autorisées ou l'utilisation de pièces non autorisées.
- L'installation n'est pas conforme aux codes du feu, aux codes électriques, aux codes du gaz, aux codes de plomberie, aux codes du bâtiment, aux lois ou aux réglementations locales/de l'État/de la ville/du comté.
- Défauts ou dommages dus à un stockage inadéquat du produit.
- Défauts, dommages ou pièces manquantes sur les produits vendus hors de l'emballage d'origine ou des présentoirs. > Les appels de service ou les réparations visant à corriger une installation incorrecte du produit et/ou des accessoires connexes.
- Remplacement de pièces/appels de service pour connecter, convertir ou réparer le câblage électrique et/ou la conduite de gaz afin d'utiliser correctement le produit.
- Remplacement de pièces/appels de service pour fournir des instructions et des informations sur l'utilisation du produit.
- Remplacement de pièces/appels de service pour corriger des problèmes résultant de l'utilisation du produit d'une manière autre que celle qui est normale et habituelle pour un usage résidentiel.
- Remplacement de pièces/appels de service en raison de l'usure des composants tels que les joints, les boutons, les supports de casseroles, les étagères, les paniers à couverts, les boutons, les écrans tactiles, les plateaux en vitrocéramique rayés ou cassés.
- Remplacement des pièces/appels de service en cas de manque d'entretien ou d'entretien inadéquat, y compris, mais sans s'y limiter, l'accumulation de résidus, de taches, de rayures, de décoloration et de corrosion.
- Défauts et dommages résultant d'accidents, de modifications, d'une mauvaise utilisation, d'un abus ou d'une installation incorrecte.
- Défauts et dommages résultant du transport, de la logistique et de la manutention des produits. L'inspection du produit doit être effectuée au moment de la livraison. Après réception et inspection, le revendeur/livreur doit être informé de tout problème lié à la manutention, au transport et à la logistique.
- Les défauts et les dommages résultant de forces extérieures indépendantes de la volonté de Forno Appliances, y compris, mais sans s'y limiter, le vent, la pluie, le sable, les incendies, les inondations, les coulées de boue, les températures glaciales, l'humidité excessive ou l'exposition prolongée à l'humidité, les surtensions,
- La foudre, les défaillances structurelles autour de l'appareil et d'autres cas de force majeure.
- Produits dont le numéro de série a été modifié, endommagé ou altéré. En aucun cas Forno ne sera tenu pour responsable des dommages causés aux biens environnants, y compris les meubles, les armoires, les revêtements de sol, les panneaux et autres structures entourant le produit. Forno n'est pas responsable du produit s'il est situé dans une région éloignée ou dans une région où des techniciens certifiés et formés ne sont pas raisonnablement disponibles. L'acheteur doit prendre en charge les frais de transport et de livraison du produit jusqu'au centre de service agréé le plus proche ou les frais de déplacement supplémentaires d'un technicien certifié et formé

Garantie (suite)

IL N'EXISTE AUCUNE GARANTIE EXPRESSE AUTRE QUE CELLES ÉNUMÉRÉES ET DÉCRITES CI-DESSUS, ET AUCUNE GARANTIE, EXPRESSE OU IMPLICITE, Y COMPRIS, MAIS SANS S'Y LIMITER, TOUTE GARANTIE IMPLICITE DE QUALITÉ MARCHANDE OU D'ADÉQUATION À UN USAGE PARTICULIER QUI S'APPLIQUERAIT APRÈS LES PÉRIODES DE GARANTIE EXPRESSE INDIQUÉES CI-DESSUS, ET AUCUNE AUTRE GARANTIE EXPRESSE OU GARANTIE DONNÉE PAR UNE PERSONNE, UNE ENTREPRISE OU UNE SOCIÉTÉ CONCERNANT CE PRODUIT NE SERA CONTRAIGNANTE POUR FORNO. FORNO N'EST PAS RESPONSABLE DES PERTES DE REVENUS OU DE PROFITS, DE LA NON-RÉALISATION D'ÉCONOMIES OU D'AUTRES AVANTAGES, DE L'ABSENCE AU TRAVAIL, DES REPAS, DE LA PERTE DE NOURRITURE OU DE BOISSONS, DES FRAIS DE VOYAGE OU D'HÔTEL, DES FRAIS DE LOCATION OU D'ACHAT D'APPAREILS, DES FRAIS DE RÉNOVATION/CONSTRUCTION DÉPASSANT LES DOMMAGES DIRECTS INDÉNIABLEMENT CAUSÉS EXCLUSIVEMENT PAR FORNO OU DE TOUT AUTRE DOMMAGE SPÉCIAL, ACCESSOIRE OU CONSÉCUTIF CAUSÉ PAR L'UTILISATION, LA MAUVAISE UTILISATION OU L'INCAPACITÉ D'UTILISER CE PRODUIT, QUELLE QUE SOIT LA THÉORIE JURIDIQUE SUR LAQUELLE REPOSE LA RÉCLAMATION, ET MÊME SI FORNO A ÉTÉ INFORMÉE DE LA POSSIBILITÉ DE TELS DOMMAGES. DE MÊME, LE MONTANT DE TOUT RECOUVREMENT À L'ENCONTRE DE FORNO NE POURRA ÊTRE SUPÉRIEUR AU PRIX D'ACHAT DU PRODUIT VENDU PAR FORNO ET À L'ORIGINE DU DOMMAGE ALLÉGUÉ. SANS PRÉJUDICE DE CE QUI PRÉCÈDE, L'ACHETEUR ASSUME TOUS LES RISQUES ET TOUTES LES RESPONSABILITÉS EN CAS DE PERTE, DE DOMMAGE OU DE BLESSURE DE L'ACHETEUR ET DE SES BIENS, AINSI QUE D'AUTRES PERSONNES ET DE LEURS BIENS, RÉSULTANT DE L'UTILISATION, DE LA MAUVAISE UTILISATION OU DE L'INCAPACITÉ D'UTILISER CE PRODUIT VENDU PAR FORNO ET NE RÉSULTANT PAS DIRECTEMENT D'UNE NÉGLIGENCE DE LA PART DE FORNO CETTE GARANTIE LIMITÉE NE S'ÉTEND À PERSONNE D'AUTRE QUE L'ACHETEUR D'ORIGINE DE CE PRODUIT, N'EST PAS TRANSFÉRABLE ET CONSTITUE VOTRE SEUL ET UNIQUE RECOURS.



AVERTISSEMENT : Ce produit peut vous exposer à des produits chimiques, y compris [le plomb et les composés de plomb], qui sont connus de l'État de Californie pour provoquer des cancers, des malformations congénitales et/ou des troubles de la reproduction. Pour minimiser l'exposition à ces substances. Utilisez toujours cet appareil conformément au manuel d'utilisation et veillez à assurer une ventilation adéquate. Pour plus d'informations, consultez le site www.P65Warnings.ca.gov



Ce symbole sur le produit ou dans son emballage indique que ce produit ne peut pas être traité comme un déchet ménager. Au lieu de cela, il doit être apporté au point de collecte des déchets approprié pour le recyclage des équipements électriques et électroniques. En veillant à ce que ce produit soit éliminé correctement, vous contribuerez à prévenir les conséquences négatives potentielles pour l'environnement et la santé humaine, qui pourraient autrement être causées par le traitement inapproprié des déchets de ce produit. Pour obtenir des informations plus détaillées sur le recyclage de ce produit, veuillez contacter votre mairie, votre service d'élimination des déchets ménagers ou le magasin où vous avez acheté le produit.

Afin d'éviter toute contamination des aliments, veuillez respecter les instructions suivantes :

- L'ouverture prolongée de la porte peut entraîner une augmentation significative de la température dans les compartiments de l'appareil.
- Nettoyez régulièrement les surfaces susceptibles d'entrer en contact avec les aliments et les systèmes d'évacuation accessibles.
- Conservez la viande et le poisson crus dans des récipients appropriés au réfrigérateur, de manière à ce qu'ils n'entrent pas en contact avec d'autres aliments ou qu'ils ne s'égouttent pas sur ceux-ci.
- Les compartiments à deux étoiles pour aliments surgelés conviennent à la conservation d'aliments surgelés, à la conservation ou à la préparation de glaces et à la fabrication de glaçons.
- Les compartiments à une, deux et trois étoiles ne conviennent pas à la congélation d'aliments frais.



FBOEL1371-30



FBOEL1388-30

HORNOS DE PARED SIMPLES O DOBLES
NÚMERO DE MODELO SERIE: FBOEL1371-30 | FBOEL1388-30
MANUAL DE INSTRUCCIONES Y GUÍA DE
INSTALACIÓN



Intertek
5015011

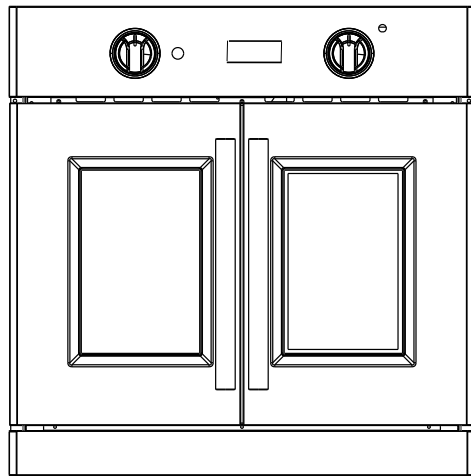
Conforms to UL STD 858 & CSA / ANSI STD Z21.1
Certified to CSA STDs C22.2#61 & CSA STD 1.1

Lea atentamente estas instrucciones antes de utilizar el aparato y guárdelas cuidadosamente. Si sigue las instrucciones, su aparato le proporcionará muchos años de buen servicio.

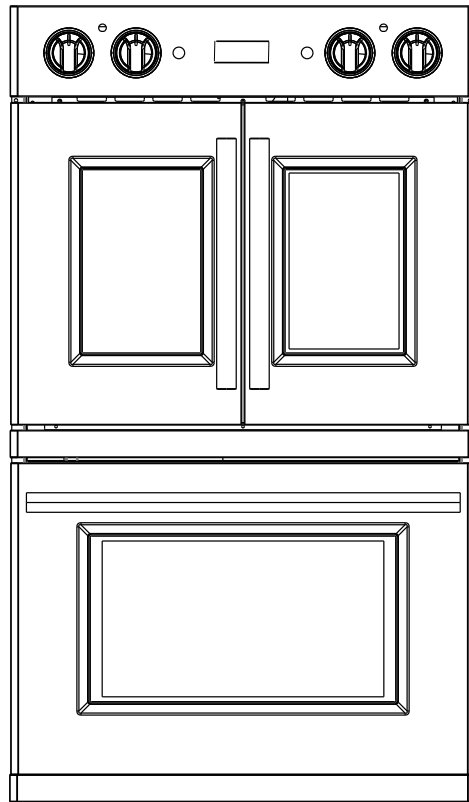
ÍNDICE DE CONTENIDOS

Atención al cliente	4
Seguridad	5
Contenido del producto	7
Contenido del paquete	9
Instalación del tirador de la puerta	9
Instalación de la rejilla del horno	10
Requisitos eléctricos	11
Dimensiones del producto	12
Instrucciones de instalación	16
Instrucciones de uso	18
Cuidado y mantenimiento	21
Solución de problemas	21
Diagrama de cableado	22
Garantía	24

HORNOS DE PARED SIMPLES O DOBLES



FBOEL1371-30



FBOEL1388-30

NÚMERO DE MODELO SERIE: FBOEL1371-30 | FBOEL1388-30

Atención al cliente

Gracias por adquirir un producto Forno. Lea todo el manual de instrucciones antes de poner en funcionamiento su nuevo aparato por primera vez. Tanto si es un usuario ocasional como si es un experto, le resultará beneficioso familiarizarse con las prácticas de seguridad, las características, el funcionamiento y las recomendaciones de cuidado de su electrodoméstico.

Tanto el modelo como el número de serie figuran en el interior del producto. A efectos de garantía, también necesitará la fecha de compra.

Anote esta información a continuación para futuras consultas.

Información sobre el producto

Número de modelo: _____

Número de serie: _____

Fecha de compra: _____

Dirección y teléfono de compra: _____

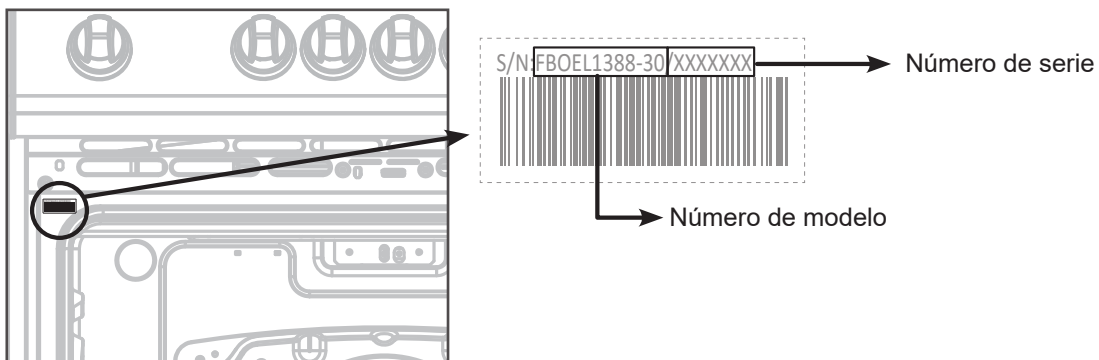
Información de servicio

Utilice estos números en cualquier correspondencia o llamada de servicio relativa a su producto.

Si ha recibido un producto dañado, póngase inmediatamente en contacto con Forno.

Consulte la guía de solución de problemas antes de llamar al servicio técnico. Enumera las causas de pequeños problemas de funcionamiento que puedes corregir tú mismo.

Localización del modelo y número de serie



Servicios en Canadá y Estados Unidos

Ten a mano el manual de instrucciones para resolver tus dudas. También puede encontrar toda la información que necesita en línea en www.forno.ca.

Si no entiende algo o necesita más ayuda, visite nuestro sitio web o envíe un correo electrónico a: info@forno.ca

Si hay algún problema, póngase en contacto con el servicio de atención al cliente de FORNO. Tenga en cuenta que antes de poder enviar a un proveedor de servicios será necesario solucionar el problema con un representante del servicio de atención al cliente. Todos los trabajos en garantía deben ser autorizados por el servicio de atención al cliente de FORNO. Todos nuestros proveedores de servicios autorizados son cuidadosamente seleccionados y rigurosamente formados por nosotros.

Seguridad

Tu seguridad y la de los demás son muy importantes. Hemos incluido muchos mensajes de seguridad importantes en este manual y en su aparato. Lea y obedezca siempre todos los mensajes de seguridad.



Se trata de un símbolo de alerta de seguridad. Le alertará de posibles peligros para la seguridad personal o de la propiedad. Obedezca todos los mensajes de seguridad para evitar daños materiales, lesiones físicas o la muerte.



ADVERTENCIA indica una situación potencialmente peligrosa que, si no se evita, puede provocar lesiones graves o la muerte.



PRECAUCIÓN indica una situación de peligro moderado que, de no evitarse, podría provocar lesiones leves o moderadas. Todos los mensajes de seguridad le alertarán de cuál es el peligro potencial, le indicarán cómo reducir la posibilidad de lesiones y le harán saber qué puede ocurrir si no se siguen las instrucciones. Todos los mensajes de seguridad le indicarán cuál es el peligro potencial, le indicarán cómo reducir la posibilidad de lesiones y le indicarán qué puede ocurrir si no se siguen las instrucciones.

ADVERTENCIAS DE LA PROPOSICIÓN 65 DEL ESTADO DE CALIFORNIA:

ADVERTENCIA: Este producto contiene una o más sustancias químicas que el Estado de California considera cancerígenas.

ADVERTENCIA: Este producto contiene una o más sustancias químicas conocidas por el Estado de California como causantes de defectos de nacimiento u otros daños reproductivos.



ADVERTENCIA

Lea todas las instrucciones de seguridad antes de utilizar el producto. El incumplimiento de estas instrucciones puede provocar incendios, descargas eléctricas, lesiones graves o incluso la muerte.

INSTRUCCIONES GENERALES DE SEGURIDAD

1. Utilice este aparato para los fines previstos tal y como se describe en este manual de instrucciones.
2. Deje que un instalador cualificado instale el aparato y lo conecte a tierra de acuerdo con las instrucciones de instalación suministradas. El fabricante no se hará responsable de los daños materiales o personales causados por una instalación incorrecta, un uso inadecuado de este aparato o por no respetar las advertencias indicadas, quedando anulada la garantía.
3. Cualquier ajuste y servicio debe ser realizado únicamente por un instalador de hornos o técnico de servicio cualificado. No intente reparar o sustituir ninguna pieza de su aparato a menos que se recomiende específicamente en este manual.
4. Enchufe el horno únicamente a una toma de corriente de 240 voltios con conexión a tierra. No retire la clavija redonda de toma de tierra del enchufe. En caso de duda sobre la conexión a tierra del sistema eléctrico doméstico, es su responsabilidad y obligación disponer de una toma de corriente sin conexión a tierra de acuerdo con el Código Eléctrico Nacional. No utilice un código de extensión con este aparato.
5. Antes de realizar cualquier tarea de mantenimiento, desenchufe el horno o desconecte la alimentación eléctrica en el cuadro de distribución doméstico quitando el fusible o desconectando el disyuntor.
6. Asegúrese de retirar todos los materiales de embalaje del horno antes de ponerlo en funcionamiento para evitar la ignición de estos materiales.
7. Evite rayar o golpear las pantallas de cristal. De lo contrario, podría romperse el cristal. No cocine sobre un producto con cristales rotos. Pueden producirse descargas, incendios o cortes.
8. No deje a los niños solos o sin vigilancia en una zona en la que se esté utilizando un aparato. Nunca se les debe permitir que trepen, se sienten o se pongan de pie en ninguna parte del horno.
9. No toque las resistencias ni la superficie interior del horno. Estas superficies pueden estar lo suficientemente calientes como para quemar aunque sean de color oscuro. Durante y después del uso, no toque, ni deje que la ropa u otros materiales inflamables entren en contacto con ninguna zona interior del horno; deje primero tiempo suficiente para que se enfríe. Otras superficies del aparato pueden calentarse lo suficiente como para causar quemaduras. Las

Seguridad (continuación)

superficies potencialmente calientes incluyen la abertura de ventilación del horno, las superficies cercanas a la abertura, las hendiduras alrededor de la puerta del horno, las piezas de adorno metálicas encima de la puerta, cualquier protección trasera o superficie alta del estante.

10. No caliente recipientes de alimentos sin abrir. La presión podría acumularse y el recipiente podría reventar, causando cualquier lesión.
11. Aléjese de la cocina cuando abra la puerta del horno. La salida de aire caliente o vapor puede causar quemaduras en las manos, la cara y/o los ojos.
12. No coloque nunca utensilios de cocina, piedras para hornear o pizza, ni ningún tipo de papel de aluminio o forro en el suelo del horno.
Estos elementos pueden atrapar el calor o fundirse, lo que puede dañar el producto y provocar descargas eléctricas, humo o fuego.
13. Coloque las rejillas del horno en el lugar deseado mientras el horno se enfría. Si es necesario mover la rejilla mientras el horno está caliente, tenga cuidado de no tocar las superficies calientes.
14. No asar nunca con la puerta abierta. No se aconseja asar a puerta abierta debido al sobrecalentamiento de los mandos de control.
15. No utilice el horno como almacén. No deje productos de papel, utensilios de cocina o alimentos en el horno cuando no se utilice.
16. No guarde objetos de interés para los niños en armarios situados encima de un horno. Los niños que se suban al horno para alcanzar objetos podrían sufrir lesiones graves.
17. No permita que los niños utilicen este aparato a menos que estén estrechamente supervisados por un adulto.



ADVERTENCIA

Extremadamente pesado

Para mover el aparato es necesario disponer del equipo y la mano de obra adecuados para evitar lesiones personales o daños al aparato o al suelo. Si no se siguen estos consejos, pueden producirse daños o lesiones personales.



ADVERTENCIA

Nunca vierta agua fría sobre superficies calientes en un horno caliente. El vapor creado podría causar quemaduras graves o escaldaduras y el cambio brusco de temperatura puede dañar el esmalte del horno.



ADVERTENCIA

Cocine bien los alimentos utilizando un termómetro de alimentos para comprobar las temperaturas en varios puntos y protegerse así contra las enfermedades transmitidas por los alimentos.

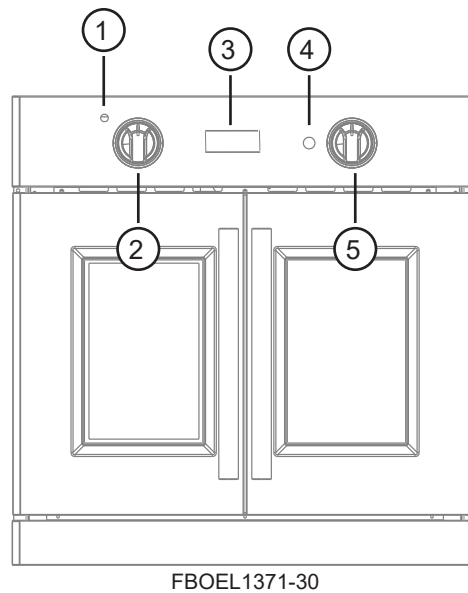
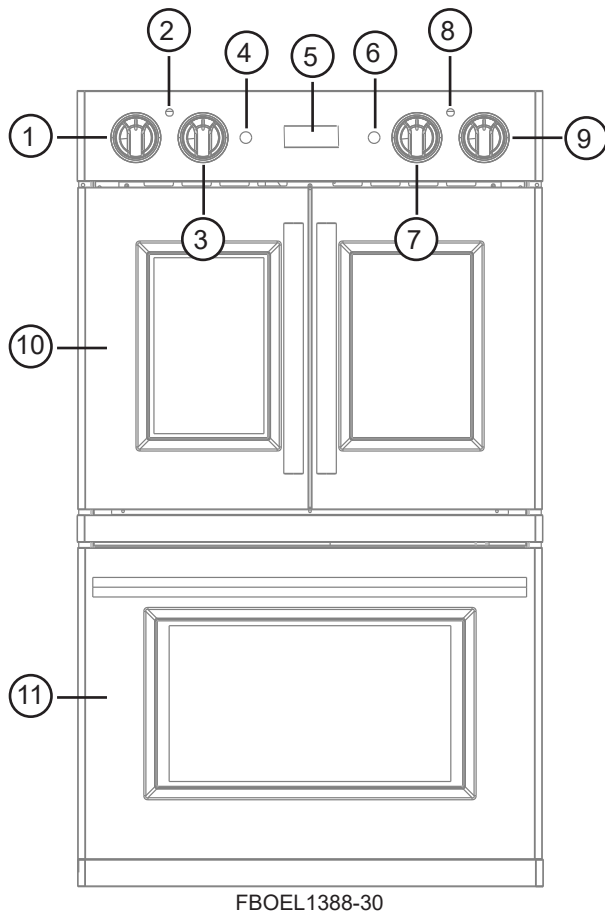


ADVERTENCIA

MANTENGA EL MATERIAL INFLAMABLE ALEJADO DE LA COCINA De lo contrario, podría producirse un incendio o lesiones personales.

Es importante evitar almacenar o utilizar materiales inflamables en un horno, como papel, plástico, agarraderas, sábanas, revestimientos de paredes, cortinas, gasolina o cualquier otro vapor o líquido inflamable. También debe evitarse el uso de prendas sueltas o colgantes mientras se utiliza el aparato, ya que pueden incendiarse si entran en contacto con superficies calientes, provocando quemaduras graves.

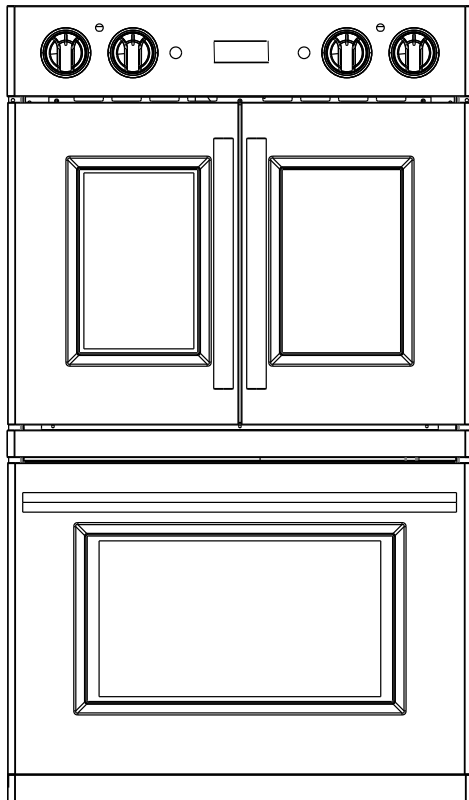
Contenido del producto



FBOEL1388-30	
1	Perilla de control del horno LED (Horno superior)
2	Indicador del horno (Horno superior)
3	Perilla de control de temperatura LED (Horno superior)
4	Pulsador de la luz del horno (Horno superior)
5	Pantalla digital
6	Pulsador de la luz del horno (Horno inferior)
7	Perilla de control del horno LED(Horno inferior)
8	Indicador del horno (Horno inferior)
9	Perilla de control de temperatura LED (Horno inferior)
10	Horno superior (Horno de convección)
11	Horno inferior

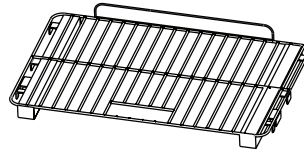
FBOEL1371-30	
1	Indicador del horno
2	Perilla de control del horno LED
3	Pantalla digital
4	Pulsador de la luz del horno
5	Perilla de control de temperatura LED

Contenido del producto (continuación)

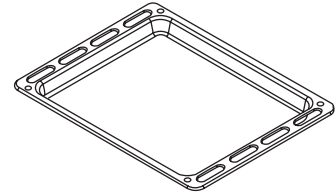


Horno mural doble

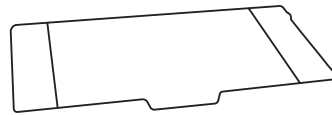
Piezas suministradas para
FBOEL1388-30



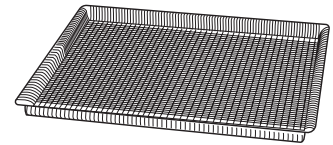
4x Rejilla para hornear



1x Molde



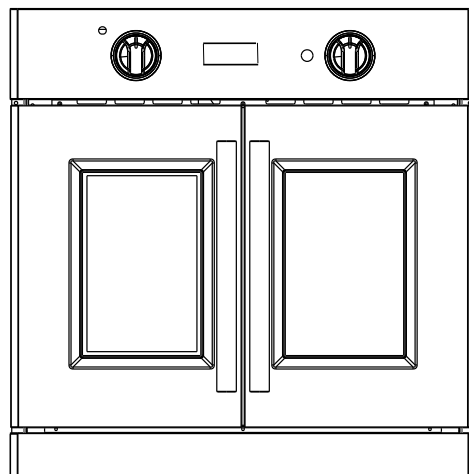
1x Rejilla para freidora



1x Cesta para freír

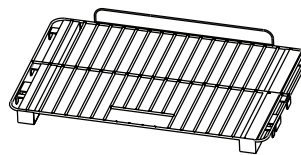


3x Manilla de puerta Forno

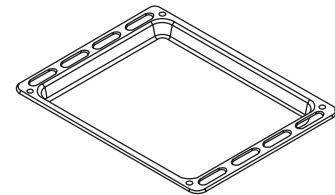


Horno mural individual

Piezas suministradas para
FBOEL1371-30



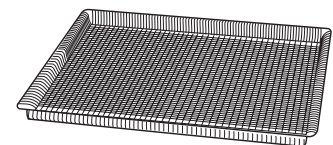
2x rejilla para hornear



1x Molde



1x Rejilla para freidora

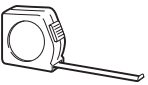





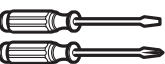



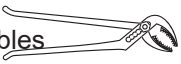

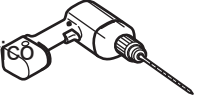
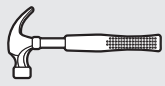

1x Cesta para freír



2x Manilla de puerta Forno

Contenido del paquete

✓	Se necesitan herramientas (No se suministran con la unidad)
	Cinta métrica 
	Llave Allen 
	Cuchillo de uso general 
	Lápiz 
	Nivel 
	Gafas de protección 
	Destornillador 

✓	Se necesitan herramientas (No se suministran con la unidad)
	Llave de vaso 
	Alicates ajustables 
	Llave ajustable 
	Taladro eléctrico 
	Martillo 
	Guantes de seguridad 

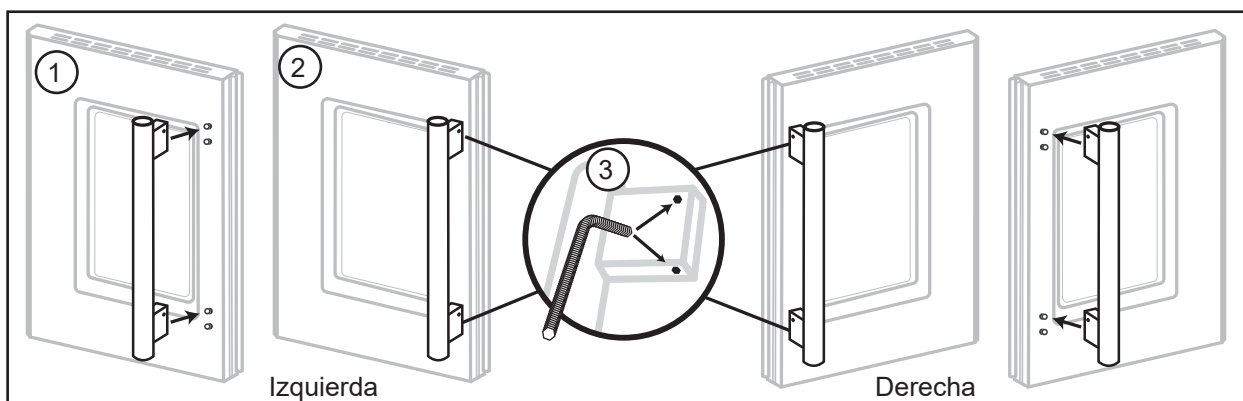
Antes de comenzar la instalación, siga los pasos necesarios.

1. Retire todo el material de embalaje.
2. Asegúrese de que están todos los accesorios. Póngase en contacto con el servicio de atención al cliente en caso de piezas dañadas o faltantes llamando al 1-866-231-8893 o enviando un correo electrónico a info@forno.ca.

Instalación del tirador de la puerta

El tirador de la puerta no está preinstalado. Para instalar los tiradores, puede consultar el siguiente diagrama que le mostrará cómo instalarlos paso a paso.

Puerta francesa:



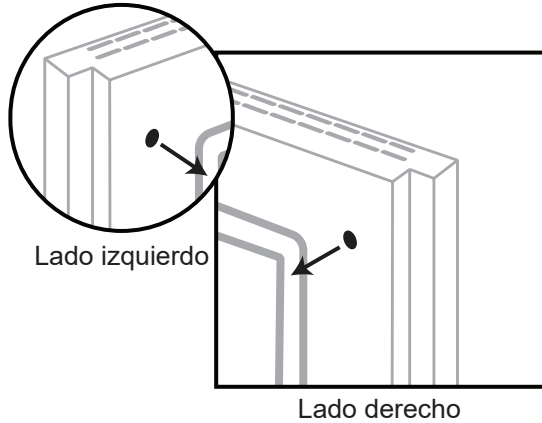
Repita de nuevo los pasos 1-3 para la puerta derecha.

Instalación del tirador de la puerta (continuación)

Puerta Chef: Sólo para FBOEL1388-30: Horno inferior

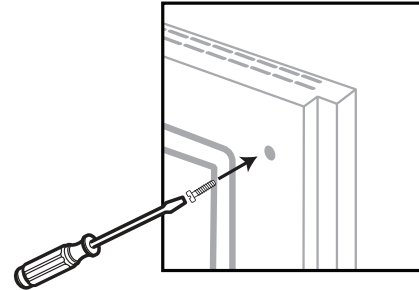
Primer paso:

Abra la puerta del horno y retire las 2 tapas de goma negras situadas en la parte posterior de la puerta del horno. Tenga cuidado de no rayar el esmalte. **NO TIRAR EL TAPÓN**



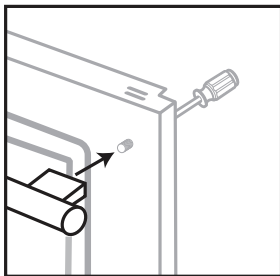
Segundo paso:

Para alcanzar el tornillo incrustado, introduzca el destornillador en el orificio y empuje el tornillo hacia delante hasta que aparezcan las roscas en el otro lado.



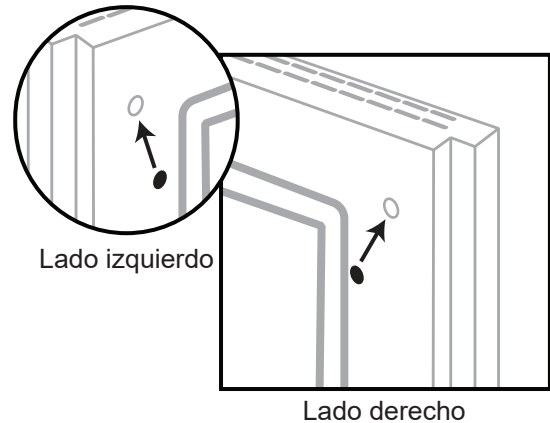
Tercer paso:

Coloque correctamente el soporte del asa para que acepte el tornillo de la parte exterior de la puerta del horno y, a continuación, apriete el tornillo. No apriete demasiado el tornillo.

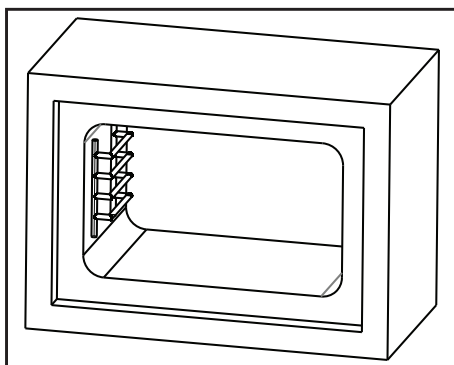


Paso 4:

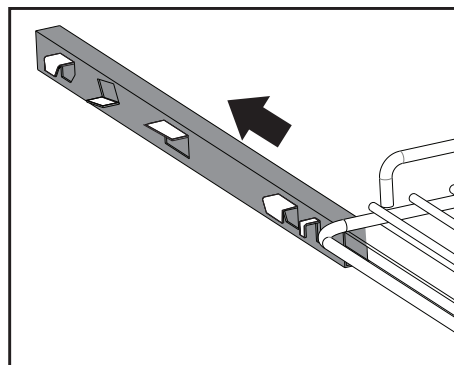
Repita los pasos del 1 al 3 para las otras puertas y vuelva a colocar la tapa de goma negra.



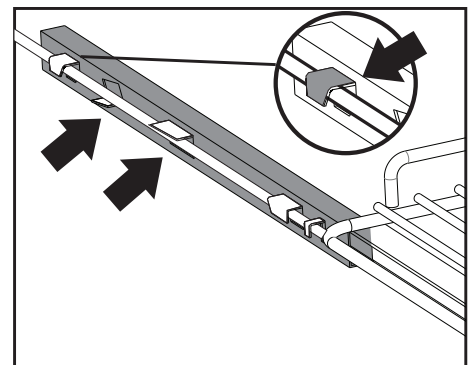
Instalación de la rejilla del horno



1-Abra la puerta del horno



2- Tire de la barandilla hacia fuera



3- Asegúrese de que la primera bisagra se desliza en la parte superior del brazo, la segunda bisagra en la parte inferior, y las dos delanteras deben estar en la parte superior del brazo. Empuje el portaequipajes completamente hacia atrás. Esto completa la instalación.

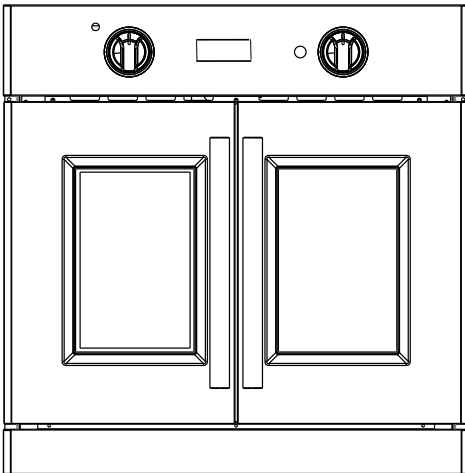
Instalación de la rejilla del horno (continuación)

Para retirar y reposicionar la estantería, levante la parte delantera de ambos raíles y, a continuación, levante y tire de los raíles hacia usted. A continuación, levante la parte posterior de los raíles y vuelva a colocar la estantería en el nuevo nivel.

Eléctrico Requisitos

Su aparato debe estar conectado eléctricamente a tierra de acuerdo con los códigos locales o, en ausencia de códigos locales, de acuerdo con el Código Eléctrico Nacional (ANSI/NFPA 70, última edición). En Canadá, la conexión eléctrica a tierra debe realizarse de acuerdo con el Código Eléctrico Canadiense CSA C22.1 Parte 1 vigente y/o los códigos locales. La fuente de alimentación debe tener la polaridad correcta. La polaridad inversa provocará chispas continuas en los electrodos, incluso después del encendido de la llama. En caso de duda sobre si la fuente de alimentación tiene la polaridad o la toma de tierra correctas, hágala revisar por un electricista cualificado.

El rendimiento puede verse afectado si el suministro eléctrico es inferior a 240 voltios. El horno se suministra con un conducto formado por dos conductores calientes aislados y un conductor de tierra desnudo. El diagrama de cableado que cubre el circuito de control se suministra con el horno.

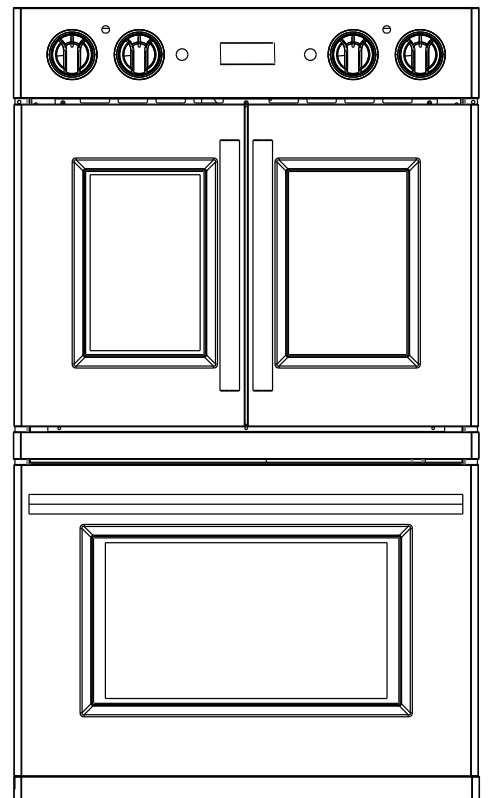


Requisitos eléctricos- FBOEL1371-30 (Horno individual)

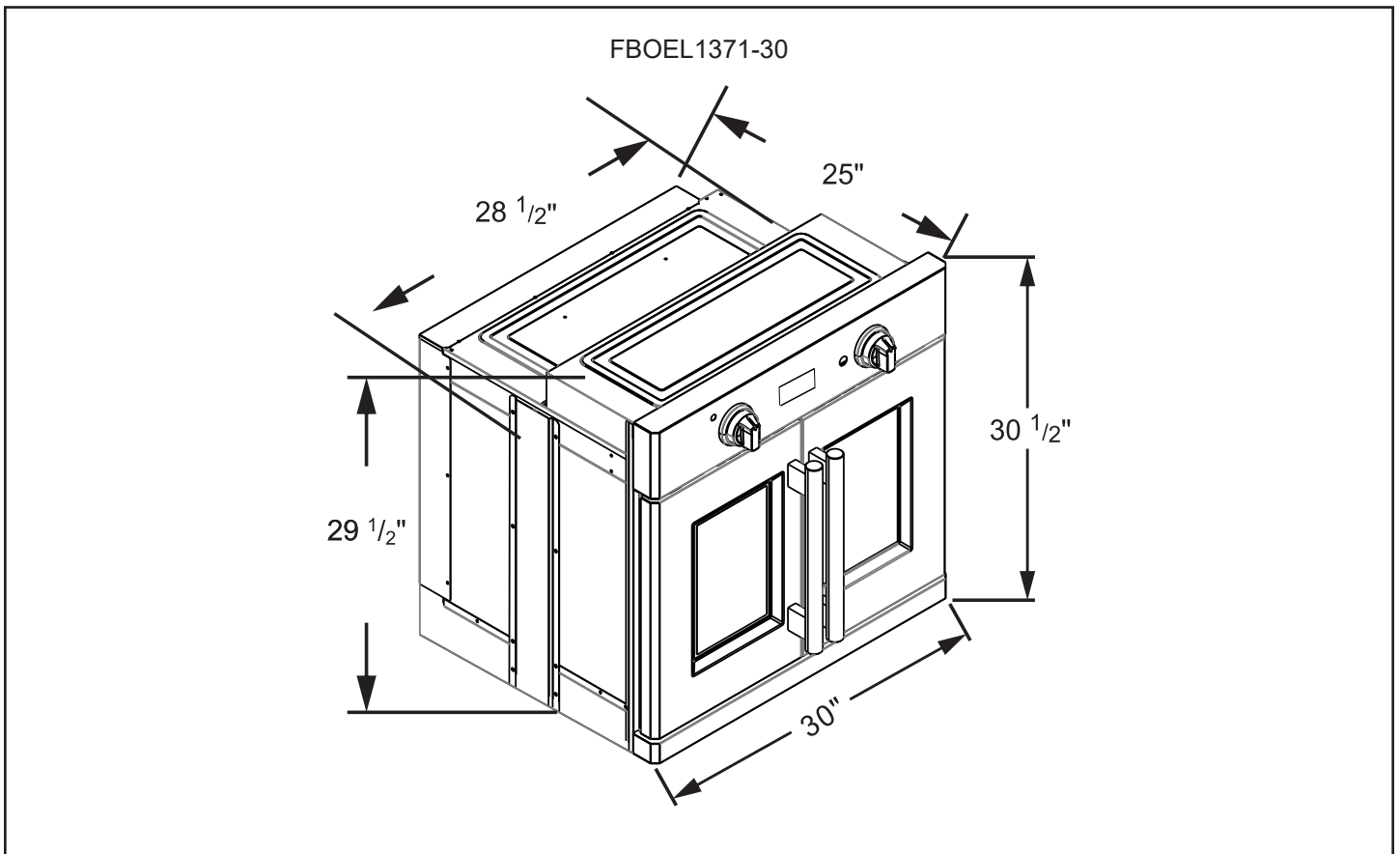
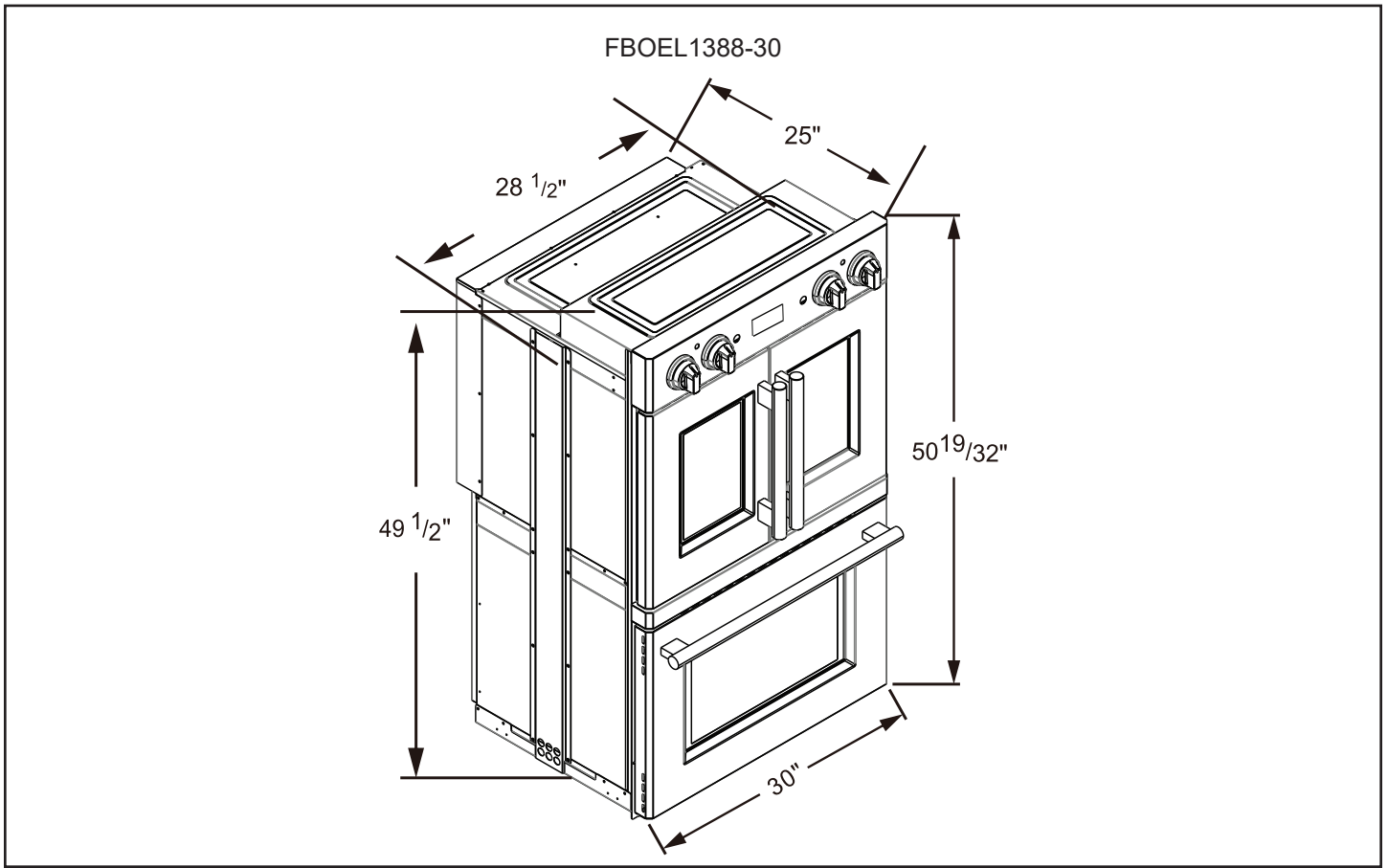
Suministro eléctrico	Conexión a tierra, 240 VCA, 60 Hz
Servicio	circuito dedicado de 30 amperios
Conducto	63" (1.6m)
Amperios totales	16
Carga máxima conectada	3.6kW

Requisitos eléctricos- FBOEL1388-30 (Horno doble)

Suministro eléctrico	Conexión a tierra, 240 VCA, 60 Hz
Servicio	circuito dedicado de 50 amperios
Conducto	63" (1.6m)
Amperios totales	32
Carga máxima conectada	7.2kW



Dimensiones del producto



Dimensiones del producto

LA INSTALACIÓN Y EL MANTENIMIENTO DEBEN SER REALIZADOS POR UN INSTALADOR CUALIFICADO. IMPORTANTE: GUARDAR PARA USO DEL INSPECTOR ELÉCTRICO LOCAL. LEA Y GUARDE ESTAS INSTRUCCIONES PARA FUTURAS CONSULTAS.

Estados Unidos y Canadá

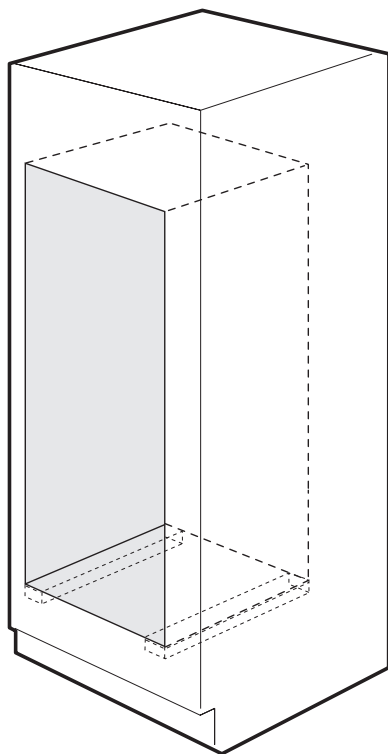


PARA SU SEGURIDAD: No almacene ni utilice gasolina u otros vapores y líquidos inflamables cerca de este o cualquier otro aparato. Su nuevo horno de pared ha sido diseñado para adaptarse a una variedad de tamaños de recorte para hacer el trabajo de instalación más fácil. El primer paso de la instalación debe ser medir las dimensiones actuales del recorte y compararlas con la tabla de dimensiones del recorte que se muestra a continuación para su modelo. Puede que no sea necesario realizar trabajos de ebanistería.

Carpintería y Soporte: Consulte las dimensiones de su electrodoméstico y los recortes del armario y el espacio necesario para encajar el horno. La superficie de apoyo o base del horno debe ser de contrachapado macizo, madera maciza o un material verificado que cumpla los requisitos de temperatura y resistencia necesarios para su instalación. No deben utilizarse tableros de fibra, madera laminada/revestida ni ningún otro material que no se haya verificado que cumple los requisitos de temperatura y resistencia.

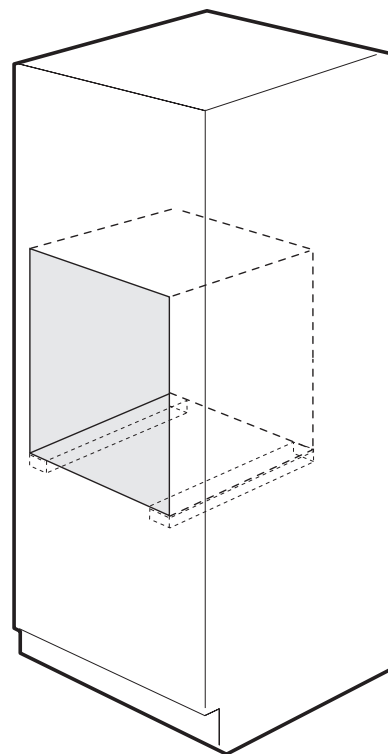
- Todos los materiales utilizados en la instalación deben soportar temperaturas de 90 °C (194 °F).
- La superficie de apoyo debe estar nivelada y plana de lado a lado y de adelante hacia atrás.

Si el armario no tiene un suelo sólido o una superficie de apoyo, pueden instalarse tirantes en el armario. También pueden utilizarse refuerzos bajo el suelo del armario para aumentar la resistencia y el apoyo. Los tirantes deben ir de delante hacia atrás, cumplir todos los requisitos de material y temperatura, y estar planos y nivelados. El refuerzo debe tener un ancho mínimo de 5 cm (2") para soportar los rieles laterales del horno. Se recomiendan tacos estándar de 5 cm x 10 cm.



FBOEL1388-30

1. La base debe poder soportar 150 kg (330 libras).
2. El contrachapado sólido o la madera maciza deben tener un grosor mínimo de $\frac{3}{4}$ " (1,9 cm).



FBOEL1371-30

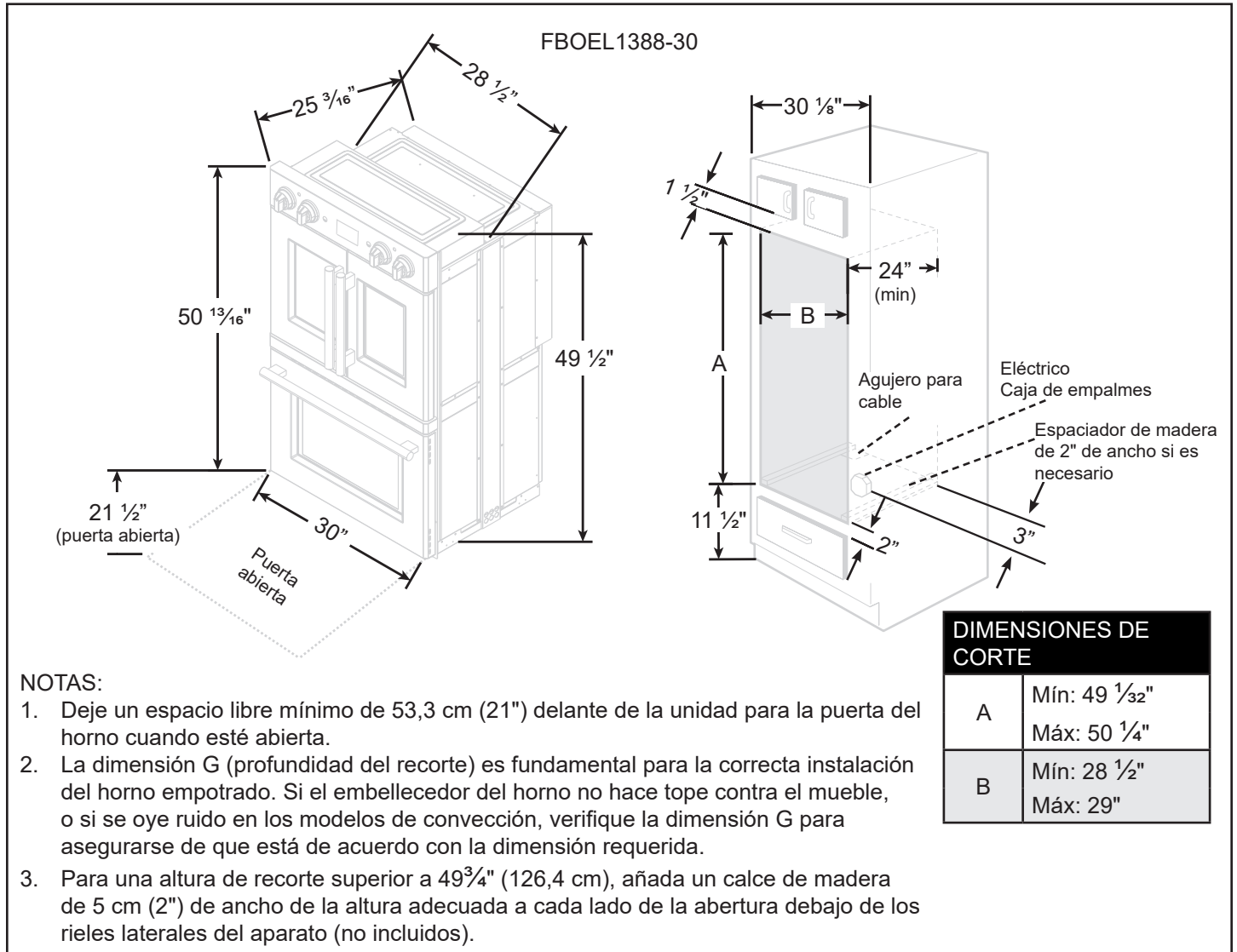
1. La base debe poder soportar 90 kg (200 libras).
2. El contrachapado sólido o la madera maciza deben tener un grosor mínimo de $\frac{1}{2}$ " (1,3 cm).

Dimensiones del producto (continuación)



ADVERTENCIA

No retire los espaciadores (si los hay) de las paredes laterales del horno empotrado. Estos espaciadores centran el horno en el espacio previsto. El horno debe estar centrado para evitar una acumulación excesiva de calor que pueda provocar daños térmicos o un incendio.

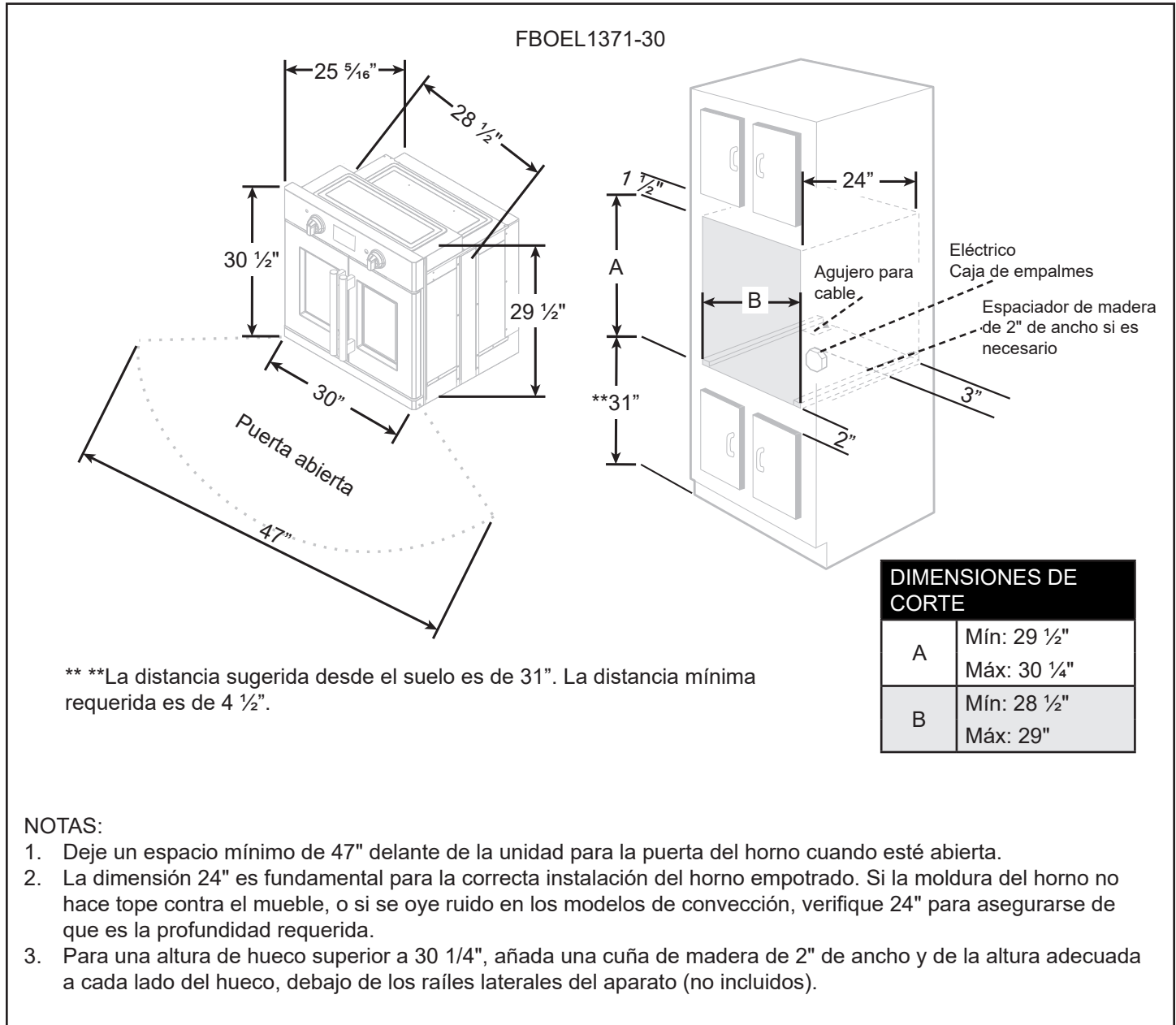


Dimensiones del producto (continuación)



ADVERTENCIA

No retire los espaciadores (si los hay) de las paredes laterales del horno empotrado. Estos espaciadores centran el horno en el espacio previsto. El horno debe estar centrado para evitar una acumulación excesiva de calor que pueda provocar daños térmicos o un incendio.



Instrucciones de instalación

IMPORTANTE: Este aparato debe ser instalado únicamente por personal autorizado y de acuerdo con las instrucciones de instalación del fabricante, los códigos de construcción municipales y las normas de cableado eléctrico. SE RECOMIENDA CONTAR CON AL MENOS 2 PERSONAS PARA AYUDAR EN EL PROCESO DE INSTALACIÓN.

PARA INSTALAR SU HORNO DE PARED, SIGA CUIDADOSAMENTE ESTOS PASOS:

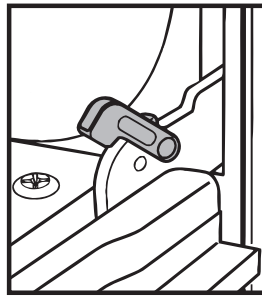
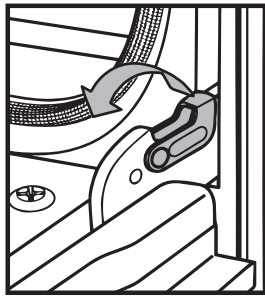
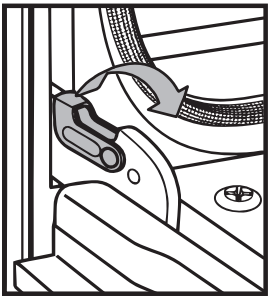
Paso 1: Nota: No utilice el asa ni ninguna parte del bastidor delantero para levantar la máquina.

1. Traslade el embalaje al lugar donde desee realizar la instalación y coloque el cartón debajo para no dañar el suelo.
2. Retire todo el material de transporte y las cintas del horno mural.
3. Deje a un lado la documentación y el embalaje del hardware.
4. Saque las rejillas y otras piezas y colóquelas en un lugar seguro.
5. Coloque el horno sobre el cartón cerca del lugar donde se instalará.

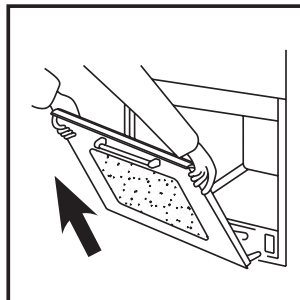
Paso 2: Retirar la puerta del horno (SÓLO PUERTA CHEF)

IMPORTANTE: La puerta del horno es pesada y frágil, y el frontal de la puerta es de cristal. Para evitar la rotura del cristal de la puerta del horno, utilice ambas manos y agarre sólo los laterales de la puerta del horno para retirarla.

Para quitar la puerta del horno: 1. Abra completamente la puerta del horno. 2. Levante el pestillo de bisagra de cada lado para abrirlo.

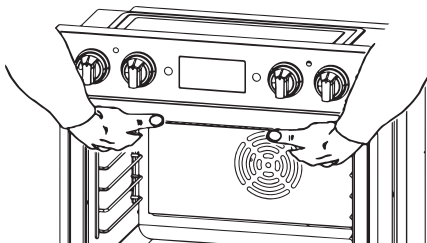


3. Cierre la puerta del horno hasta el tope.
4. Mientras sujeta ambos bordes exteriores de la puerta del horno, levante la puerta.
5. Continúe empujando la parte superior de la puerta para cerrarla mientras tira de la parte inferior de la puerta para sacarla de los receptores de las bisagras en el marco de la puerta.



PASO 3: Instalar el horno

1. Con la ayuda de dos o más personas, sujete el techo de la cavidad del horno y levante el horno sobre una mesa o plataforma que esté al mismo nivel que la abertura del recorte.



NOTA: La plataforma debe poder soportar el siguiente peso:

- Horno individual : 81 kg (178,5 lb)
- Horno doble: 134 kg (295 lb)

2. Introduzca el conducto flexible de alimentación eléctrica desde el horno hasta la caja de conexiones.

Instrucciones de instalación (continuación)

PASO 4: Realice la conexión eléctrica



ADVERTENCIA



Peligro de descarga eléctrica

La conexión a tierra a través del conductor neutro está prohibida para las nuevas instalaciones de circuitos derivados (NEC 1996); casas móviles; y vehículos recreativos, o en un área donde los códigos locales prohíben la conexión a tierra a través del conductor neutro. Para instalaciones en las que está prohibida la conexión a tierra a través del conductor neutro, consulte el gráfico Neutro sin conexión a tierra.

Utilice un terminal o cable de tierra para conectar la unidad a tierra.

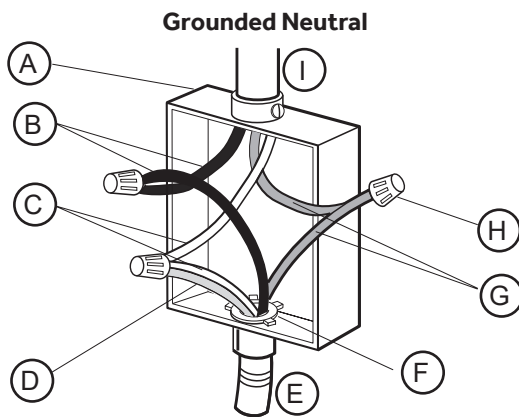
Conecte el terminal o cable neutro al neutro del circuito derivado de la forma habitual.

De lo contrario, podría producirse la muerte, un incendio o una descarga eléctrica.

CABLE DE 3 HILOS DE LA FUENTE DE ALIMENTACIÓN DOMÉSTICA

Conexión a la red eléctrica doméstica

IMPORTANTE: Utilice el cable de 3 hilos de la fuente de alimentación doméstica donde los códigos locales permitan una conexión de 3 hilos.



A	Caja de empalmes
B	Cables negros
C	Cables neutros (blancos)
D	Cable de tierra (verde o desnudo)
E	Cable del horno
F	Conector para conductos homologado por UL
G	Cables rojos
H	Conectores de cable con certificación UL
I	Suministro eléctrico doméstico

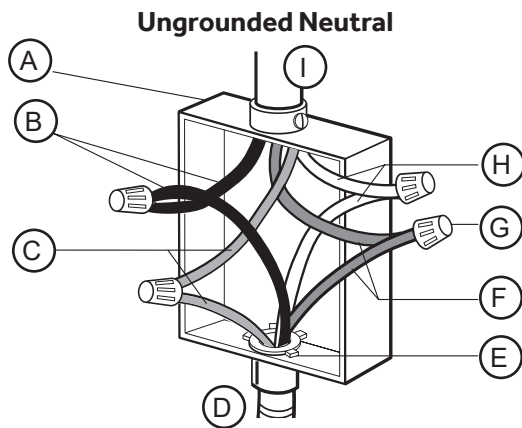
1. Desconecte la corriente.
2. Conecte los 2 cables negros entre sí utilizando un conector de cables homologado por UL.
3. Conecte el cable neutro (blanco) y el cable de tierra (verde o desnudo) (del cable de la cocina) utilizando un conector de cables homologado por UL.
4. Conecte los 2 cables rojos entre sí utilizando un conector de cables homologado por UL.
5. Instale la tapa de la caja de conexiones.

CABLE DE 4 HILOS DE LA FUENTE DE ALIMENTACIÓN DOMÉSTICA

Conexión a la red eléctrica doméstica - EE.UU. Sólo

IMPORTANTE: Utilice el cable de 4 hilos de la fuente de alimentación doméstica en EE.UU. donde los códigos locales no permiten la conexión a tierra a través del neutro, nuevas instalaciones de circuitos derivados (I99e NEC), casas móviles y vehículos recreativos, nuevas construcciones y en Canadá.

Instrucciones de instalación (continuación)

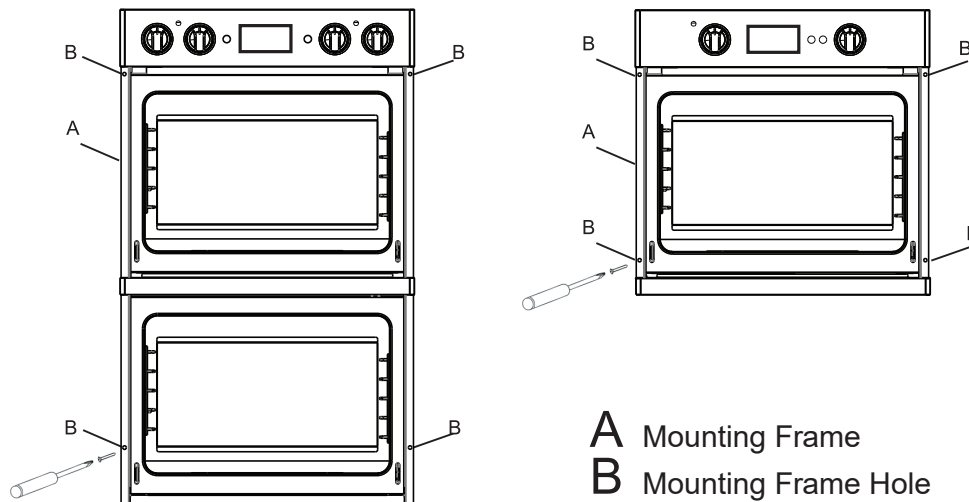


A	Caja de empalmes
B	Cables negros
C	Cables rojos
D	Cable del horno
E	Conector de conducto homologado por UL o CSA
F	Cable de tierra (verde o desnudo)
G	Conectores de cable con certificación UL
H	Cables neutros (blancos)
I	Suministro eléctrico doméstico

1. Desconectar la alimentación
2. Conecte los 2 cables negros b entre sí utilizando un conector de cables homologado por UL.
3. Conecte los 2 cables rojos c entre sí utilizando un conector de cables homologado por UL.
4. Desenrosque el cable blanco del cable de tierra verde (o desnudo) procedente del horno.
5. Conecte los 2 cables neutros (blancos) h entre sí utilizando un conector de cables homologado por UL.
6. Conecte el cable de tierra (verde o desnudo) f del cable del horno al cable de tierra (verde o desnudo) (en la caja de conexiones) utilizando un conector de cables homologado por UL.
7. Instale la tapa de la caja de conexiones

PASO 5: Montar el horno

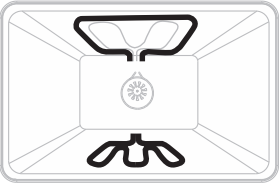
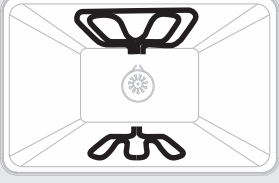
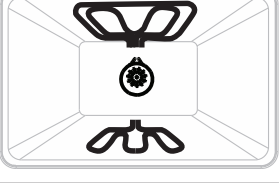
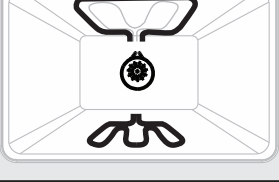
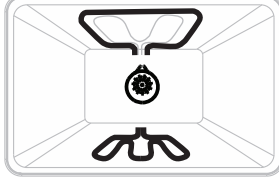
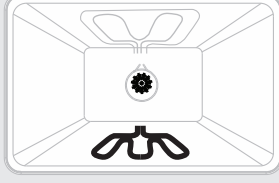
1. Deslice el horno completamente dentro del armario hasta que la superficie posterior del marco frontal toque la pared frontal del armario. Centre el horno en el hueco del armario. NOTA: Empuje contra el área de sellado del marco frontal del horno cuando empuje el horno dentro del gabinete. No presione contra los bordes exteriores.



A Mounting Frame
B Mounting Frame Hole

2. Hay cuatro orificios, dos a cada lado del marco frontal que rodea la cavidad del horno. Taladre orificios guía de 3,18 mm (1/8") a través de los orificios y en la pared frontal del armario.
3. Inserte los tornillos # 8-14 x 1" (suministrados) a través de los orificios piloto para fijar firmemente el horno al armario. No apriete demasiado los tornillos.
4. Vuelva a colocar la rejilla y conecte de nuevo la alimentación al horno.

Instrucciones de uso (continuación)

<p>Hornear</p> 	<p>Hornear es cocinar con aire caliente. Siga las instrucciones de la receta o del alimento precocinado en cuanto a temperatura de horneado, tiempo y posición de la rejilla. El tiempo de horneado variará en función de la temperatura de los ingredientes y del tamaño, la forma y el acabado del molde.</p> <ol style="list-style-type: none"> 1. Gire el mando de las funciones del horno a la posición Hornear. 2. Gire el mando de control de temperatura a la posición de temperatura deseada, la luz indicadora de temperatura se encenderá. 3. Cuando el horno alcanza la temperatura programada, la resistencia inferior se enciende y apaga automáticamente para mantener la temperatura en el interior del horno.
<p>Horneado por convección</p> 	<p>En comparación con el modo BAKE, Convection Bake añade el uso de ventilador(es) de convección para hacer circular el aire caliente. Por lo tanto, tanto la temperatura como el tiempo de cocción pueden reducirse ligeramente. Utilice el horneado por convección para hornear en una o varias rejillas.</p> <p>Para programar el horneado por convección:</p> <ol style="list-style-type: none"> 1. Gire el mando de las funciones del horno a la posición Convection Bake. 2. Gire el botón de control de temperatura a la posición de temperatura deseada, la luz indicadora se encenderá y el ventilador de convección también se encenderá. 3. Cuando el horno alcanza la temperatura programada, las resistencias superior e inferior y la resistencia trasera se encienden y apagan automáticamente para mantener la temperatura en el interior del horno. <p><i>Consejos: Cuando hornee por convección, reduzca la temperatura de horneado de su receta en 25°F.</i></p>
<p>Asado por convección</p> 	<p>Cuando ase por convección, cambie a la temperatura de asado normal. El tiempo de asado debe ser un 15-30% inferior al de la cocción convencional. No es necesario precalentar el horno para el Asado por convección.</p> <ol style="list-style-type: none"> 1. Gire el mando de las funciones del horno a la posición Asado por convección. 2. Gire el mando de control de temperatura a la posición de temperatura deseada, la luz indicadora se encenderá y el ventilador de convección también. 3. Cuando el horno alcanza la temperatura programada, las resistencias superior y posterior se encienden y apagan automáticamente para mantener la temperatura en el interior del horno.
<p>Asado</p> 	<p>En comparación con el modo Tostado por convección, el modelo Tostado no necesita el ventilador de convección.</p> <ol style="list-style-type: none"> 1. Gire el mando de las funciones del horno a Asar. 2. Gire el mando de control de temperatura a la posición de temperatura deseada, la luz indicadora se encenderá. 3. Cuando el horno alcanza los 100°F, los elementos de calor superiores e inferiores automáticamente mantienen la temperatura dentro del horno.
<p>Ase</p> 	<p>Cuando utilice el asado, la posición de la rejilla dependerá del alimento y del grosor de la carne. Para obtener mejores resultados, ase cortes de carne pequeños y planos, como filetes, hamburguesas, chuletas o pechugas de pollo deshuesadas.</p> <ol style="list-style-type: none"> 1. Gire el mando de las funciones del horno a la posición Broil. 2. Gire el mando de control de temperatura a la posición de temperatura deseada, la luz indicadora se encenderá. 3. Cuando el horno alcanza la temperatura programada, los elementos térmicos superiores se encienden y apagan automáticamente para mantener la temperatura en el interior del horno. <p><i>Consejos: La puerta del horno permanece cerrada durante el asado. Cuando inspeccione los alimentos, abra la puerta del horno no más de cinco centímetros. El quemador se apaga pero vuelve a encenderse en cuatro segundos cuando se cierra la puerta.</i></p>
<p>Prueba</p> 	<p>Cuando se coloca en el modo Proof, el horno mantiene un ambiente cálido y sin corrientes de aire, útil para fermentar productos de panadería leudados con levadura. La temperatura máxima de este modo es de 100°F.</p> <ol style="list-style-type: none"> 1. Gire el mando de las funciones del horno a la posición Proof. 2. Gire el botón de control de temperatura a la posición de temperatura deseada, la luz indicadora se encenderá y el ventilador de convección también se encenderá. 3. Cuando el horno alcanza la temperatura programada, la resistencia inferior se enciende y apaga automáticamente para mantener la temperatura en el interior del horno. <p><i>Consejos: Se recomienda realizar la fermentación en la posición más baja de la rejilla. No abra la puerta del horno innecesariamente, ya que al hacerlo bajará la temperatura del horno y aumentará el tiempo de fermentación. No utilice el modo "Prueba" para calentar alimentos o mantenerlos calientes. La función de fermentación no mantendrá el horno lo suficientemente caliente como para mantener los alimentos a temperaturas seguras.</i></p>

Instrucciones de uso (continuación)

Limpia

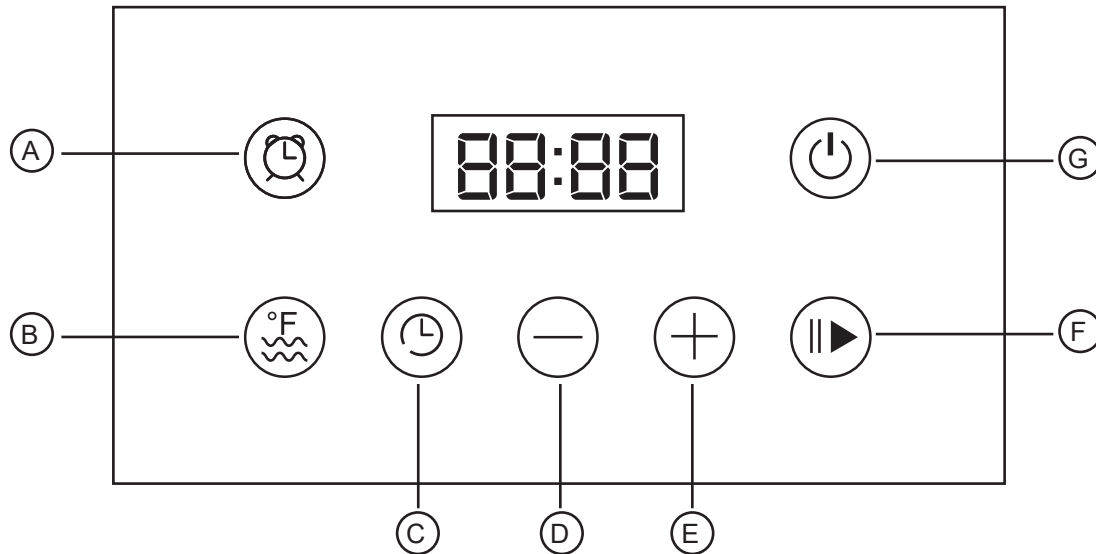
Utilice el modo Limpiar para limpiar el interior del horno con regularidad. La temperatura de trabajo es de 500°F, y el tiempo de trabajo es de 1 hora. No es necesario retirar las rejillas de horneado. El intenso calor quema la tierra.

1. Gire el mando de las funciones del horno a la posición Limpiar.
2. Gire el mando de control de temperatura a la posición máxima, la luz indicadora se encenderá.
3. Las resistencias superior e inferior se encenderán y apagarán automáticamente hasta que gire los mandos a la posición OFF.

Consejos: Cuando termine la limpieza, deje enfriar hasta que sea seguro, limpie con un paño húmedo y luego seque. Este proceso ablanda la tierra para facilitar su retirada.

Pantalla digital

Cuando enchufe la cocina por primera vez o cuando vuelva la corriente, verá 88:88 en la pantalla y oirá un tono de alarma.



A	Temporizador
B	Temperatura
C	Reloj
D	Abajo

E	UP
F	Inicie
G	Encendido / Apagado

Temporizador

Pulse TIMER para entrar en el ajuste. La pantalla mostrará 03:00. Ajuste la hora pulsando los botones ARRIBA o ABAJO (00-24), cuando termine, pulse el TIMER y repita los pasos para los minutos (00-59). Para confirmar el ajuste basta con pulsar de nuevo el TIMER o esperar unos 5 segundos. Para detener el ajuste del TEMPORIZADOR, basta con mantener pulsado el TEMPORIZADOR durante 3 segundos.

Sous Vide

- Paso 1: Pulse la TEMPERATURA para iniciar el ajuste de la función sous vide. La pantalla mostrará 104°F. Ajuste la temperatura pulsando los botones ARRIBA o ABAJO (104°F-212°F), cuando termine, pulse de nuevo TEMPERATURA o espere aproximadamente 5 segundos para confirmar el ajuste de temperatura.
- Paso 2: Pulse el TEMPORIZADOR para ajustar el tiempo de cocción. La pantalla mostrará 03:00. Ajuste la hora pulsando los botones ARRIBA o ABAJO (00-24), cuando termine, pulse el TIMER y repita los pasos para los minutos (00-59). Para confirmar el ajuste basta con pulsar de nuevo el TIMER o esperar unos 5 segundos.
- Paso 3: Pulse START para entrar en la función sous vide. El elemento de calor del horno y el ventilador funcionarán juntos, con la pantalla mostrando el tiempo restante y la temperatura del horno en tiempo real cada 5 segundos. Cuando el horno esté en modo de cocción Sous Vide, repita los pasos 1 y 2 para ajustar la temperatura o el tiempo si es necesario. Pulse START para acceder de nuevo a la función sous vide. Para salir de la función sous vide, mantenga pulsado START durante 3 segundos.

Nota: Para utilizar la función sous vide, ajuste siempre la temperatura de forma prioritaria. Ajustar el temporizador antes de ajustar la temperatura no hará que la función sous vide funcione.

Instrucciones de uso (continuación)

Reloj

Pulse el RELOJ durante aproximadamente 3 segundos para entrar en el ajuste. La pantalla mostrará las 12:00. Ajuste la hora pulsando los botones ARRIBA o ABAJO (01-12), cuando termine, pulse el RELOJ y repita los pasos para los minutos (00-59).

Para confirmar el ajuste basta con pulsar de nuevo el RELOJ o esperar unos 5 segundos.

Otra función:

1. Mantenga pulsado el botón ARRIBA o ABAJO para acelerar el ajuste.
2. Cuando proceda con la función sous vide, pulse simultáneamente los botones ARRIBA y ABAJO para cambiar la temperatura entre °F y °C.
3. Mantenga pulsado el botón POWER durante 3 segundos para acceder a la función de bloqueo para niños y manténgalo pulsado durante otros 3 segundos para desactivarla.

Atención

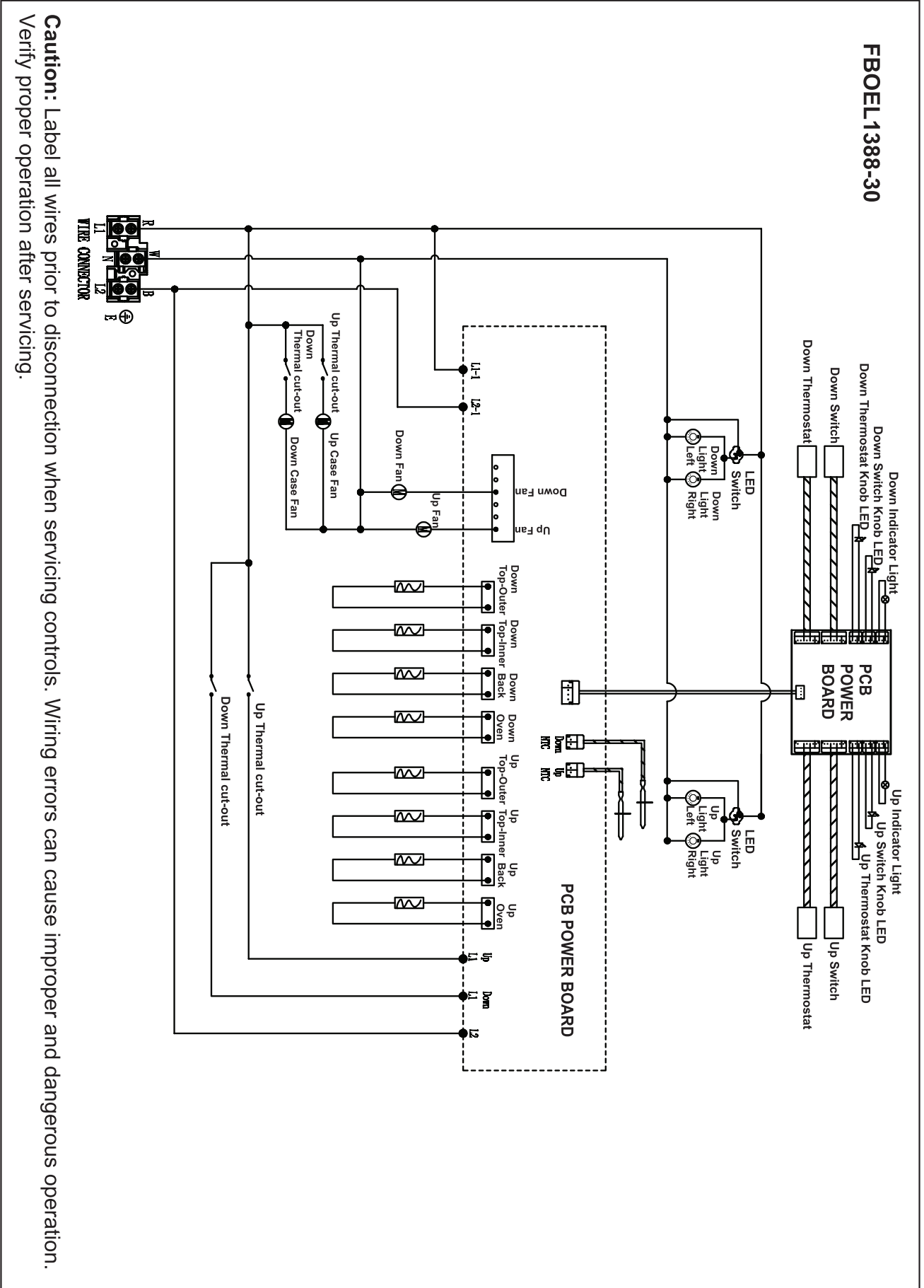
Cuidado y mantenimiento
El modo Sous Vide no puede combinarse con el modo de cocción normal. Si se enciende cualquier mando, no se puede utilizar la función sous vide. La cocción normal tampoco se puede utilizar cuando la función sous vide está

funcionando.	Utilice un limpiador de acero inoxidable no abrasivo, aplique una pequeña cantidad en un paño suave, limpie ligeramente la superficie de acero inoxidable y séquela con una toalla. Cuando limpie la superficie de acero inoxidable, siga siempre la veta del metal.
Acero inoxidable	
Mandos de control	Utilizando un paño húmedo, límpielo con un detergente suave o un decapante en spray; aclárelo y séquelo. No meter en el lavavajillas para su limpieza.
Interior del horno	Utilizar limpiadores abrasivos suaves, spray decapante. Utilice una cuchilla de afeitar para retirar con cuidado los alimentos horneados de la cavidad del horno y de la ventana. Para las manchas difíciles, rocíe con un limpiador abrasivo suave o un decapante en spray. Limpie toda la cavidad del horno con agua y jabón.
Rejillas de horno	Para limpiar la rejilla superior, utilice un detergente suave y un estropajo. Aclarar y secar. Para limpiar la bandeja inferior, deseche la grasa y lávela con agua caliente y detergente suave. Aclarar y secar. La rejilla de acero inoxidable se puede lavar en el lavavajillas. No coloque la rejilla o la cacerola revestida de porcelana en el lavavajillas para su limpieza.
Luz del horno	Para sustituir la bombilla del horno, desenrosque la tapa de la luz situada en el interior del horno, sustituya la luz por una bombilla halógena de 25 vatios.

Solución de problemas

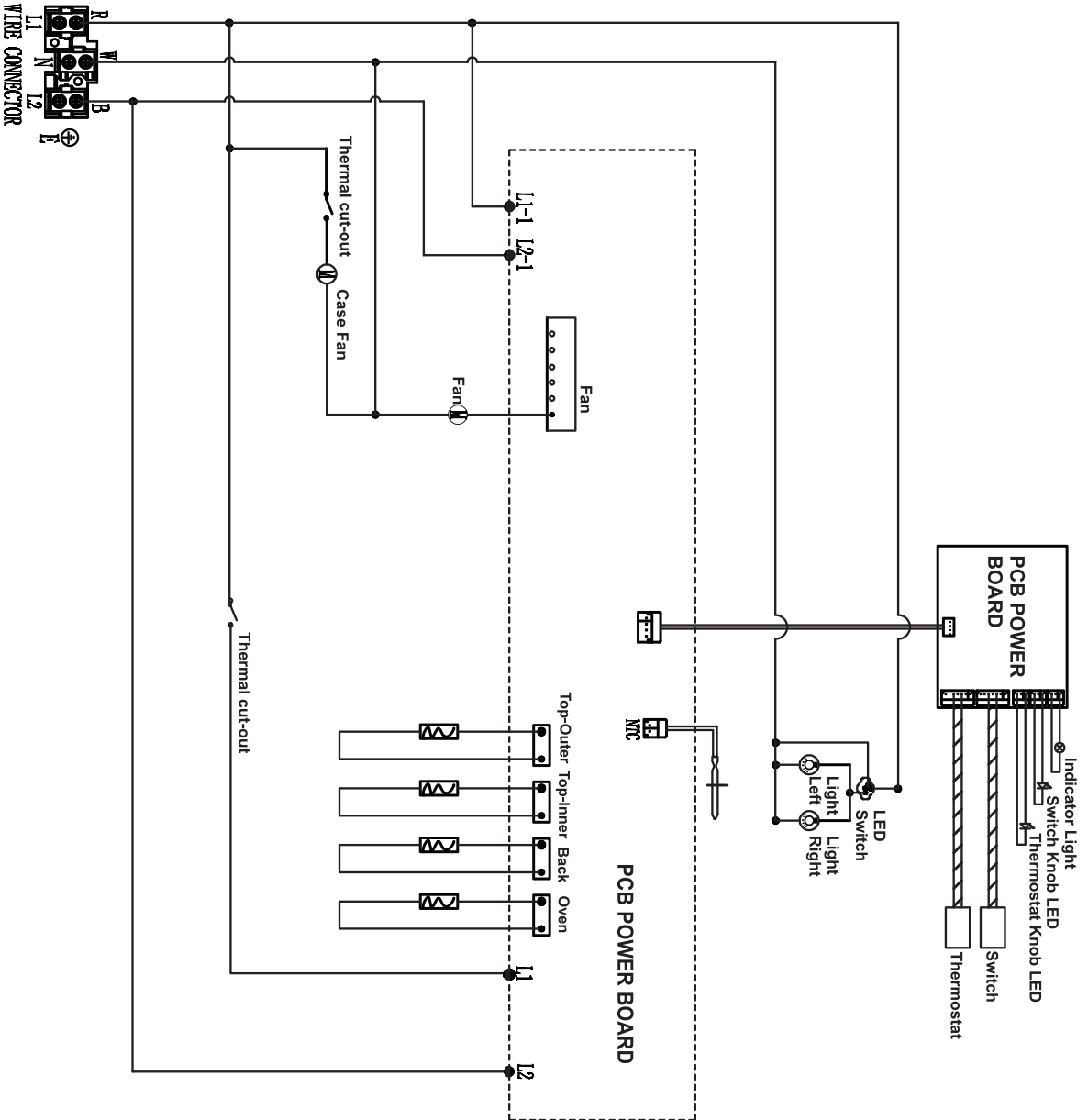
Compruebe la resolución de problemas antes de

Edición	Posible causa	Solución
Humedad excesiva	El horno no estaba bien precalentado.	Cuando utilice el modo hornear, precaliente primero el horno. El horneado por convección y el asado por convección eliminarán cualquier humedad en el horno (una de las ventajas de la convección).
El horno no se calienta.	No llega corriente al horno, Modo Horno o temperatura no seleccionada.	Conecte la alimentación en la fuente de alimentación principal (caja de fusibles o disyuntores). Compruebe el modo correcto del horno o seleccione la temperatura adecuada. Si el problema persiste, llame a un electricista cualificado.
El horno no cocina uniformemente	La rejilla del horno no está en la posición correcta.	Ajuste la temperatura del horno o coloque la rejilla en la posición correcta.
La luz del horno no funciona correctamente.	La bombilla está suelta o fundida.	Apague el horno con el disyuntor y espere unos segundos. Inserte bien la bombilla o cámbiela directamente.
El ventilador de enfriamiento sigue funcionando después de apagar el horno.	Los componentes del horno no se han enfriado lo suficiente.	El ventilador se apaga automáticamente después de apagar el horno cuando los componentes electrónicos se han enfriado lo suficiente.
La pantalla muestra Err1 Err2 Err3	Código de error de la placa de circuito impreso	Err1: conexión de cable anormal Err2: Señal de sensor anormal para broiler Err3: Señal anormal del sensor del horno



Caution: Label all wires prior to disconnection when servicing controls. Wiring errors can cause improper and dangerous operation. Verify proper operation after servicing.

FBOELL1371-30



Caution: Label all wires prior to disconnection when servicing controls. Wiring errors can cause improper and dangerous operation. Verify proper operation after servicing.

Garantía

Qué cubre esta garantía limitada:

La cobertura de la Garantía proporcionada por Forno Appliances en esta declaración se aplica exclusivamente al electrodoméstico Forno original ("Producto") vendido al consumidor ("Comprador") por un concesionario/distribuidor/minorista Forno autorizado, comprado e instalado en Estados Unidos o Canadá, y que siempre ha permanecido dentro del país de compra original (Estados Unidos o Canadá). La cobertura de la garantía se activa en la fecha de la compra original al por menor del Producto y tiene una duración de dos (2) años. La cobertura de la garantía no es transferible. En caso de sustitución de piezas o de todo el producto, el Producto de sustitución (o las piezas) asumirá el resto de la Garantía original activada con el documento original de compra al por menor. Esta Garantía no se extenderá con respecto a dicha sustitución. Forno Appliances reparará o sustituirá cualquier componente o pieza que falle o resulte defectuoso debido a los materiales o a la mano de obra en un plazo de 2 años a partir de la fecha de la compra original al por menor y en condiciones de uso residencial ordinario y no comercial. La reparación o sustitución será gratuita, incluida la mano de obra a tarifas estándar y los gastos de envío. El Comprador es responsable de hacer que el Producto sea razonablemente accesible para el servicio. El servicio de reparación debe ser realizado por un Servicio Técnico Autorizado Forno durante el horario normal de trabajo.

Importante

Conserve el comprobante de compra original para establecer el período de garantía. La responsabilidad de Forno en cualquier reclamación de cualquier tipo, con respecto a los bienes y/o servicios prestados, no superará en ningún caso el valor de los bienes o servicios o parte de los mismos que haya dado lugar a la reclamación.

garantía cosmética de 30 días

El Comprador debe inspeccionar el producto en el momento de la entrega. Forno garantiza que el Producto está libre de defectos de fabricación en materiales y mano de obra durante un período de treinta (30) días a partir de la fecha de la compra original al por menor del Producto.

Esta cobertura incluye:

- Manchas de pintura
- Fichas
- Defectos macroscópicos de acabado

La garantía cosmética NO cubre:

- Problemas derivados de un transporte, manipulación y/o instalación incorrectos (por ejemplo: abolladuras, estructuras o componentes rotos, alabeados o deformados, componentes de cristal agrietados o dañados de cualquier otra forma);
- Ligeras variaciones de color en los componentes pintados/esmaltados;
- Diferencias causadas por iluminación natural o artificial, ubicación u otros factores análogos; > manchas/corrosión/descoloración causadas por sustancias externas y/o factores ambientales; > costes de mano de obra, exposición, suelo, existencias B, aparatos "tal cual" y unidades de demostración.

Cómo recibir el servicio

Para recibir los servicios de garantía, el Comprador debe ponerse en contacto con el departamento de Asistencia de Forno para determinar el problema y los procedimientos de servicio necesarios. Será necesario que un representante del servicio de atención al cliente resuelva el problema antes de seguir adelante con el servicio. Se solicitará el número de modelo, el número de

serie y la fecha de compra original al por menor.

Exclusiones de la garantía: Lo que no está cubierto.

- Uso del Producto en cualquier aplicación comercial no residencial.
- Utilización del Producto para fines distintos de los previstos.
- Servicios de reparación prestados por cualquier persona que no sea una agencia de Servicio Autorizado Forno.
- Daños o servicios de reparación para corregir servicios prestados por terceros no autorizados o el uso de piezas no autorizadas.
- Instalación no conforme con los códigos locales/estatales/de ciudad/condado contra incendios, códigos eléctricos, códigos de gas, códigos de fontanería, códigos de construcción, leyes o reglamentos.
- Defectos o daños debidos a un almacenamiento inadecuado del Producto.
- Defectos, daños o piezas faltantes en productos vendidos fuera del embalaje original de fábrica o procedentes de expositores. > Llamadas de servicio o reparaciones para corregir una instalación incorrecta del Producto y/o accesorios relacionados.
- Sustitución de piezas/llamadas al servicio técnico para conectar, convertir o reparar de otro modo el cableado eléctrico y/o la tubería de gas con el fin de utilizar correctamente el producto.
- Sustitución de piezas/llamadas de servicio para proporcionar instrucciones e información sobre el uso del Producto.
- Sustitución de piezas o llamadas al servicio técnico para corregir problemas derivados de un uso del producto distinto del normal y habitual para uso residencial.
- Sustitución de piezas/llamadas al servicio técnico debido al desgaste de componentes como juntas, pomos, soportes de cacerolas, estantes, cestas para cubiertos, botones, pantallas táctiles, encimeras de vitrocerámica rayadas o rotas.
- Sustitución de piezas/reclamaciones de servicio por falta de mantenimiento o mantenimiento inadecuado, incluidos, entre otros: acumulación de residuos, manchas, arañazos, decoloración, corrosión.
- Defectos y daños derivados de accidentes, alteraciones, uso indebido, abuso o instalación incorrecta.
- Defectos y daños derivados del transporte, la logística y la manipulación del producto. La inspección del producto debe realizarse en el momento de la entrega. Tras la recepción e inspección, se debe notificar al concesionario vendedor/empresa de transporte cualquier problema derivado de la manipulación, el transporte y la logística.
- Defectos y daños derivados de fuerzas externas ajenas al control de Forno Appliances, incluidos, entre otros, viento, lluvia, arena, incendios, inundaciones, corrimientos de tierra, temperaturas bajo cero, humedad excesiva o exposición prolongada a la humedad, subidas de tensión,
- Rayos, fallos estructurales alrededor del aparato y otras causas de fuerza mayor.
- Productos cuyo número de serie ha sido alterado/dañado/manipulado. En ningún caso se considerará a Forno responsable de los daños causados a la propiedad circundante, incluidos muebles, armarios, suelos, paneles y otras estructuras que rodeen al Producto. Forno no se hace responsable del Producto si éste se encuentra en una zona remota o en una zona en la que no se disponga razonablemente de técnicos formados y certificados. El Comprador deberá correr con los gastos de transporte y entrega del Producto al Centro de Servicio Autorizado más cercano o con los gastos adicionales de desplazamiento de un técnico formado y certificado

Garantía (continuación)

NO EXISTEN GARANTÍAS EXPRESAS DISTINTAS DE LAS ENUMERADAS Y DESCRITAS ANTERIORMENTE, NI GARANTÍAS EXPRESAS O IMPLÍCITAS, INCLUIDAS, ENTRE OTRAS, LAS GARANTÍAS IMPLÍCITAS DE COMERCIABILIDAD O IDONEIDAD PARA UN FIN DETERMINADO QUE SE APLICARÁN DESPUÉS DE LOS PERÍODOS DE GARANTÍA EXPRESA INDICADOS ANTERIORMENTE, Y NINGUNA OTRA GARANTÍA EXPRESA O GARANTÍA OFRECIDA POR CUALQUIER PERSONA, EMPRESA O CORPORACIÓN CON RESPECTO A ESTE PRODUCTO SERÁ VINCULANTE PARA FORNO. FORNO NO SERÁ RESPONSABLE DE LA PÉRDIDA DE INGRESOS O BENEFICIOS, DE LA IMPOSIBILIDAD DE REALIZAR AHORROS U OTROS BENEFICIOS, DEL TIEMPO DE AUSENCIA DEL TRABAJO, DE LAS COMIDAS, DE LA PÉRDIDA DE ALIMENTOS O BEBIDAS, DE LOS GASTOS DE VIAJE U HOTEL, DE LOS GASTOS DE ALQUILER O COMPRA DE ELECTRODOMÉSTICOS, DE LOS GASTOS DE REMODELACIÓN/ CONSTRUCCIÓN QUE EXCEDAN DE LOS DAÑOS DIRECTOS CAUSADOS INNEGABLEMENTE DE FORMA EXCLUSIVA POR FORNO O DE CUALQUIER OTRO DAÑO ESPECIAL, INCIDENTAL O CONSECUENTE CAUSADO POR EL USO, MAL USO O IMPOSIBILIDAD DE USO DE ESTE PRODUCTO, INDEPENDIENTEMENTE DE LA TEORÍA LEGAL EN LA QUE SE BASE LA RECLAMACIÓN, E INCLUSO SI FORNO HA SIDO ADVERTIDO DE LA POSIBILIDAD DE DICHOS DAÑOS. NI LA RECUPERACIÓN DE NINGÚN TIPO CONTRA FORNO PODRÁ SER SUPERIOR AL PRECIO DE COMPRA DEL PRODUCTO VENDIDO POR FORNO Y CAUSANTE DEL DAÑO ALEGADO. SIN PERJUICIO DE LO ANTERIOR, EL COMPRADOR ASUME TODO RIESGO Y RESPONSABILIDAD POR PÉRDIDAS, DAÑOS O LESIONES AL COMPRADOR Y A LA PROPIEDAD DEL COMPRADOR Y A OTROS Y A SU PROPIEDAD QUE SURJAN DEL USO, MAL USO O INCAPACIDAD DE USO DE ESTE PRODUCTO VENDIDO POR FORNO QUE NO SEA RESULTADO DIRECTO DE NEGLIGENCIA POR PARTE DE FORNO ESTA GARANTÍA LIMITADA NO SE EXTENDERÁ A NADIE MÁS QUE AL COMPRADOR ORIGINAL DE ESTE PRODUCTO, NO ES TRANSFERIBLE Y ESTABLECE SU RECURSO EXCLUSIVO.



ADVERTENCIA: Este producto puede exponerle a sustancias químicas, incluyendo [Plomo y compuestos de plomo], que es [son] conocido por el Estado de California para causar cáncer, defectos de nacimiento y / o daños reproductivos. Para minimizar la exposición a estas sustancias. Utilice siempre esta unidad de acuerdo con el Manual del Propietario y asegúrese de proporcionar una ventilación adecuada. Para más información, visite www.P65Warnings.ca.gov



Este símbolo en el producto o en su embalaje indica que este producto no puede ser tratado como residuo doméstico. En su lugar, debe llevarse al punto de recogida de residuos adecuado para el reciclado de aparatos eléctricos y electrónicos. Al asegurarse de que este producto se desecha correctamente, ayudará a evitar posibles consecuencias negativas para el medio ambiente y la salud humana, que de otro modo podrían ser causadas por la manipulación inadecuada de los residuos de este producto. Para obtener información más detallada sobre el reciclaje de este producto, póngase en contacto con su ayuntamiento, con el servicio de recogida de residuos domésticos o con el establecimiento donde adquirió el producto.

Para evitar la contaminación de los alimentos, respete las siguientes instrucciones:

- La apertura prolongada de la puerta puede provocar un aumento significativo de la temperatura en los compartimentos del aparato.
- Limpie regularmente las superficies que puedan entrar en contacto con los alimentos y los sistemas de desagüe accesibles.
- Guarde la carne y el pescado crudos en recipientes adecuados en el frigorífico, para que no estén en contacto con otros alimentos ni goteen sobre ellos.
- Los compartimentos para alimentos congelados de dos estrellas son adecuados para almacenar alimentos precongelados, guardar o preparar helados y hacer cubitos de hielo.
- Los compartimentos de una, dos y tres estrellas no son adecuados para la congelación de alimentos frescos.



Atención al cliente: Llame al 1-866-231-8893 o envíe un correo electrónico: info@forno.ca