

EPSON
EXCEED YOUR VISION

ELPMB30
User's Guide

Contents

Included Items List	3
Safety Instructions	4
Precautions on Where to Mount the Projector	5
Installation	6
Installing the Ceiling Plate A and Ceiling Plate B on the Ceiling	6
Mounting the Ceiling Plate C on the Ceiling Plate B	8
Mounting Projector Plate on the Projector	10
Mounting the Projector Plate to the Ceiling Plate C	11
Adjusting the Position of the Projected Image	13
Shifting the Projected Image Up or Down	14
Shifting the Projected Image to the Right or Left	16
Adjusting the Projected Image's Horizontal Roll	17
Installing the Ceiling Plate Cover	18
Inquiries	19
Specifications	19

Low Profile Ceiling Mount ELPMB30

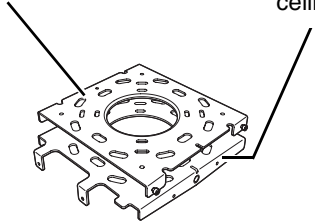
Included Items List

Check the following list and confirm that you have all of the supplied items. If there is anything missing or damaged, please contact your dealer.

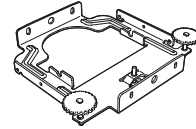
- Ceiling plate **A**
Stacked on the ceiling plate **B** and attached on the ceiling together.

- Ceiling plate **B**
Stacked under the ceiling plate **A** and attached on the ceiling together.

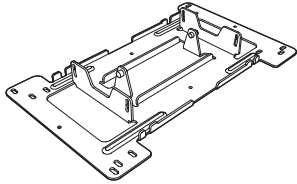
- Ceiling plate **C**
Mounted on the ceiling plate **B**. Used to adjust the projector's vertical/horizontal angle.



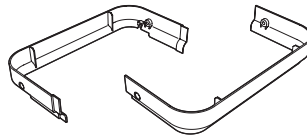
They are stacked temporarily when packed. (p.6)



- Projector plate
Attached on the projector.



- Ceiling plate cover
Covers the ceiling plates.



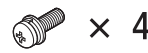
- M8x10 screws (mm)



- M4x10 screws (mm; w/ washer)



- M4x12 screws (mm; pan, w/ washer)



- M4x10 screws (mm; w/o washer)



- Ball point hex wrench



- User's Guide (this manual)



- Document CD-ROM





Prepare commercially available anchor bolts and nuts necessary to attach the plates to the ceiling. (p.6)


Safety Instructions

For your safety, read the attached documents carefully to assemble and install this product correctly. Be sure to follow the safety precautions. After you have read all instructions, keep this information for later reference.

So that you can use the product safely and correctly, the following symbols are used to show dangerous operation or handling. The indications and their meaning are as follows. Make sure you understand them before reading the guide.

 Warning	This symbol indicates information that, if ignored, could possibly result in serious personal injury or even death due to incorrect handling.
 Caution	This symbol indicates information that, if ignored, could possibly result in personal injury or physical damage due to incorrect handling.

Carefully read the warnings in "Safety Instructions/Support and Service Guide" supplied with your projector before starting the installation to determine a suitable place to install it.

 Warning	
<ul style="list-style-type: none"> ● The installation work should be performed only by specialists with the required technical know-how and ability. Be sure to follow the instructions of this manual when installing this product. Otherwise, the product may fall, and which may cause injury or an accident. ● At least two people are needed for the installation. Make sure to provide a sturdy scaffold for this work. Otherwise, you may fall or drop this product and may cause injury. ● This product weighs about 3.5kg. Be careful when moving or transporting the product. ● Do not install the product on an unstable ceiling or a surface at an angle. The ceiling must be strong enough to install the projector and this product. Before installation, carefully check the weight of the projector and this product. Make sure to keep the enough strength of the ceiling and use the most appropriate methods to prevent the projector and this product from falling. ● Do not set up this product in places where they might be subjected to vibration or shock. Otherwise, the screws may be loosened and they may fall, which may cause injury or an accident. ● Do not set up this product in the following places. Doing so may cause fire, electric shock, or an accident. <ul style="list-style-type: none"> • In places where there is a lot of humidity or in places such as outdoors or in bathroom where the product may come in contact with water or rain. • In places where there is a lot of humidity or dust, or in places such as near cooking or heating appliances where the product may come in contact with oily or cigarette smoke, or steam. ● Always follow the instruction below to install this product. If installation is not carried out correctly, the projector and this product may fall and cause injury. <ul style="list-style-type: none"> • Check the structure and materials of the mounting location and use the most appropriate construction method. • Do not hang or mount anything except the specified projector from or on this product. Projectors that can be mounted on this product are listed in the catalogs. • Do not hang from or apply excessive force to this product during or after installation. • Be sure to tighten the screws firmly. Also, never loosen or remove any screws carelessly when mounting or removing this product. • Never disassemble or modify this product unless otherwise indicated in this manual. ● When loosening screws or the adjustment dials during installation, take care not to let this product fall. Tighten all the screws and adjustment dials firmly after adjustment. Otherwise, the product may fall, and which may cause injury or an accident. ● Never loosen any bolts, screws, or nuts after installation. Also check periodically that no screws have come loose. If you find a loose screw, retighten it firmly. Otherwise, the product may fall, and which may cause injury or an accident. ● Applying threadlocker, lubricant, oil or other substance to the points at which the projector is fixed to this product may make the case crack and the projector may fall, and which may cause injury or an accident. Do not use any sort of adhesive, lubricant, or oil when installing or adjusting this product. ● Be sure to turn off the projector when installing it. Also, do not plug or unplug the cables with wet hands. Doing so may cause fire, or electric shock. 	

Warning

- **Do not strongly pull or pinch the projector's power cable during installation. Do not modify the power cable or use any damaged cable.**
Doing so may cause fire or electric shock.
If the power cable is damaged (exposed conductor, breaking or the like), contact your dealer or Epson customer service call center.
- **Disconnect the power cable from the projector before cleaning. When cleaning it, do not use a moistened cloth or solvents such as alcohol, thinner or benzine.**
Doing so may cause damage, fire, or electric shock.
Clean the product using a damp, tightly wrung out cloth.
- **Under the following conditions, do not use this product, but contact your dealer or Epson customer service call center.**
 - If you dropped or broke the product before or during installation
 - If the supplied parts is abnormal or do not function normally

Caution

Do not install the projector in places where the temperature may rise or fall out of the projector's operating temperature range.

Doing so may cause damage to the projector.

Precautions on Where to Mount the Projector

Carefully read the warnings in "Safety Instructions / Support and Service Guide" supplied with your projector before starting the installation to determine a suitable place to install it. In particular, pay attention to the following.

- Avoid installing the projector in a place where the receiver for the remote control may be exposed to direct sunlight or strong light from fluorescent lamps. If strong light shines onto the receiver, remote control may not operate normally.
- Do not install the projector near the exhaust duct of an air conditioner.
- To limit the effect of external noises, it is recommended that the projector should be installed in a place so that the cables connected to a computer or other devices can be shorter than 20 meters.
- Determine the mounting position leaving enough space to maintain the projector such as cleaning and replacing the consumables.

Installation

Installing the Ceiling Plate **A** and Ceiling Plate **B** on the Ceiling

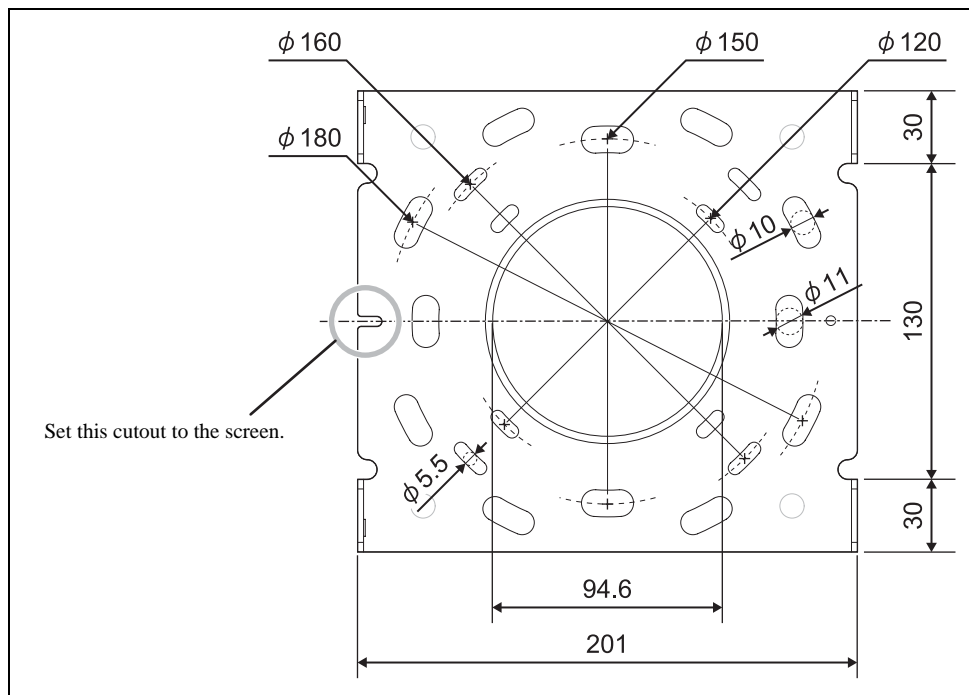
Determine the distance to the screen and locate the mounting position before mounting the ceiling plates. Refer to "Ceiling template" below for the size of the ceiling plate **A** and the location of screw holes and their size.

The projection distance to the screen varies according to the projector. Refer to "User's Guide" supplied with the projector or lens unit.

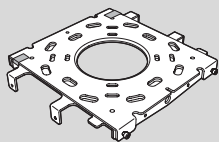
Caution

Be careful about where to mount the ceiling plates. Because depending on projectors, the center of the lens is not identical with the center of the projector. Refer to "User's Guide" supplied with the projector.

Ceiling template (units: mm)



Necessary items for the following procedure



Ceiling plate **A**

Ceiling plate **B**

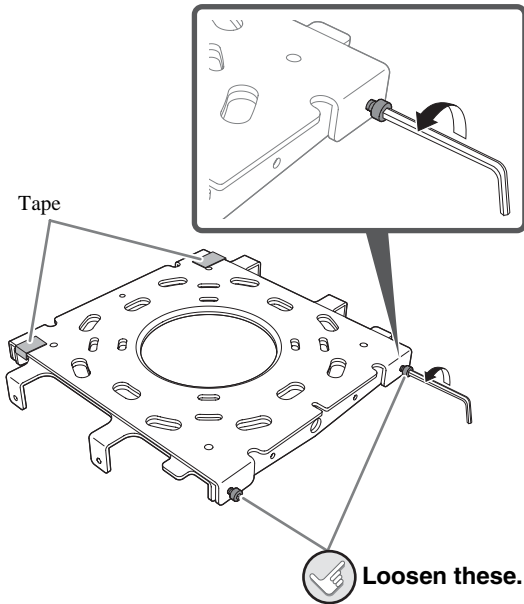
Ball point hex wrench

Prepare commercially available anchor bolts and tools necessary to attach the plates.

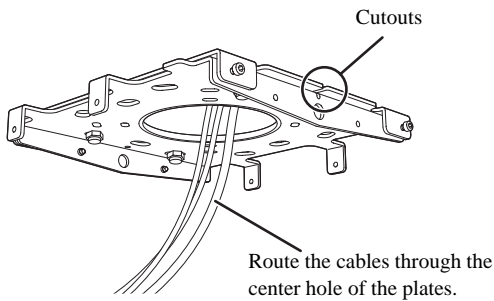


Procedure

- 1 Refer to "Ceiling template" and cut the bolt-mounting holes into the ceiling.**
Select the appropriate holes on the ceiling plates according to the material and the structure of the ceiling.



- ② Remove the tape which secures the ceiling plate **A** and the ceiling plate **B**. Then loosen the screws (not until they come off) that secure the plates with the ball point hex wrench.



- ③ Attach the ceiling plate **A** and ceiling plate **B** on the ceiling. Set the cutouts to the screen.

Caution

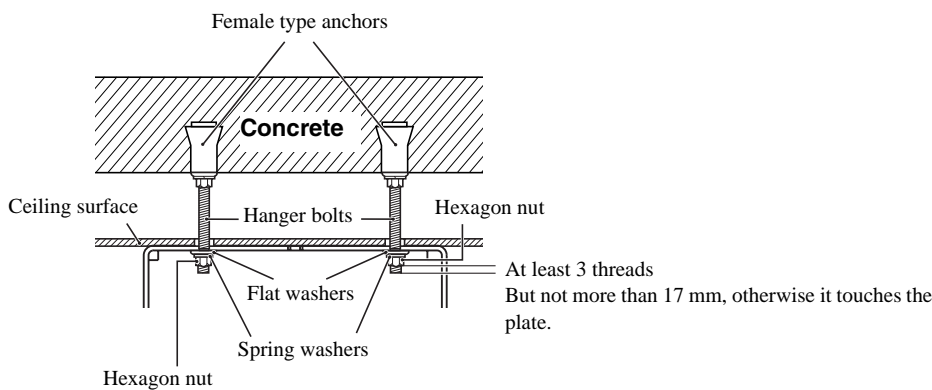
Take care not to catch the cables on or between the plates.

■ **Typical installation case [Mounting to a Concrete Ceiling]**

When installing the ceiling plates on a concrete ceiling, use four anchor bolts. Please prepare commercially available anchor bolts.

Warning

- **Make sure in advance that the concrete on which this product is installed can hold the weight and lateral movement of the projector and ceiling mount. If the concrete is not strong enough or has deteriorated, fortify it with reinforcing bars or something similar.**
- **Install the anchor bolts according to the specifications and methods of the manufacturer of the materials so they do not come out, become loose, or shift.**
- **Tighten the screws firmly during installation or after adjusting the angles.**
After tightening the screws, retighten them firmly and make sure that they are not loose.
- **Epson accepts no responsibility for the projector and the ceiling mount falling due to inadequate installation.**



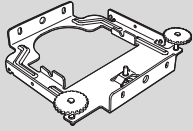
Mounting the Ceiling Plate **C** on the Ceiling Plate **B**

Warning

Be sure to tighten the screws securely.

After tightening the screws, try re-tightening them once again and make sure that all of them are securely tightened.

Necessary items for the following procedure



Ceiling plate **C**



M8x10 screws (mm)

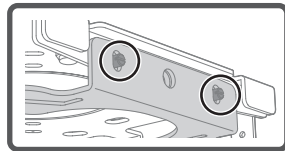


M4x10 screws
(mm; w/ washer)

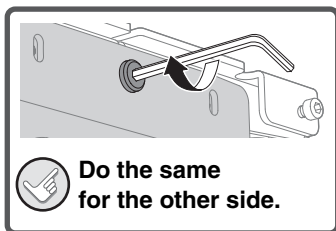
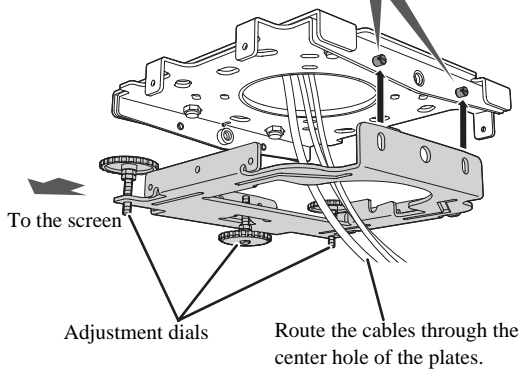


Ball point hex wrench

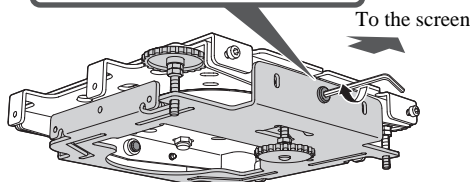
Procedure

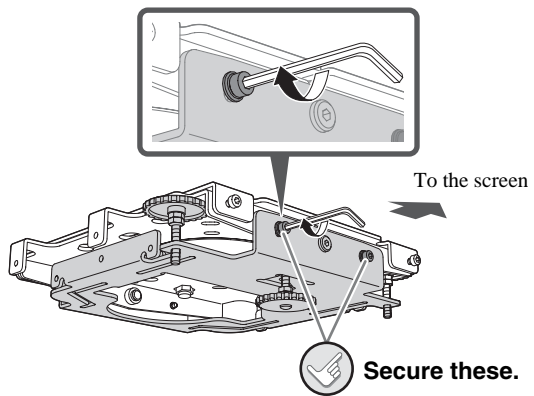


- 1 Engage the screw holes onto the screws on the rear side of the ceiling plate **B**.
Set the ceiling plate **C** with the adjustment dials to the screen.



- 2 Insert the M8x10 screws into the screw holes on the ceiling plate **C** and tighten them with the ball point hex wrench.





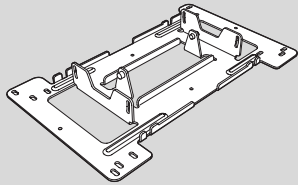
- 3 Insert the M4x10 screws into the screw holes on the screen side of the ceiling plate **C** and tighten them with the ball point hex wrench.

Mounting Projector Plate on the Projector

Warning

- **Be sure to tighten the screws securely.**
After tightening the screws, try re-tightening them once again and make sure that all of them are securely tightened.
- **Applying threadlocker, lubricant, oil or other substance to the points at which the projector is fixed to this product may make the case crack and the projector may fall, and which may cause injury or an accident. Do not use any sort of adhesive, lubricant, or oil when installing or adjusting this product.**

Necessary items for the following procedure



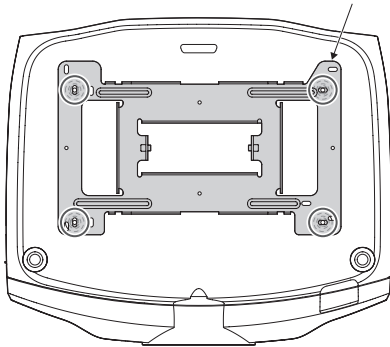
Projector plate

M4x12 screws
(mm; pan, w/ washer)

Prepare a commercially available Phillips screwdriver necessary to attach the plate.

Procedure

Set this part to the rear of the projector. *



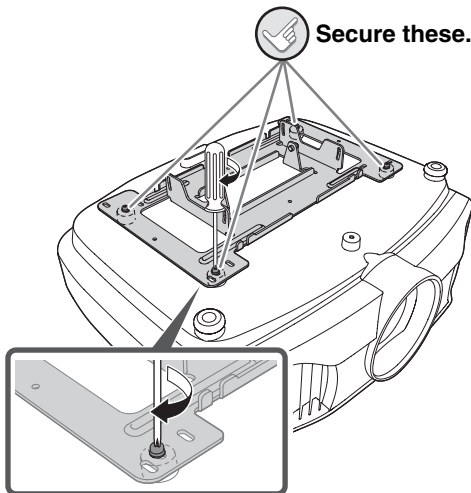
- 1 **Set the projector plate on the projector as shown in the figure, and align the screw holes on the plate with the projector's screw holes for the ceiling mount.**

* When installing the projector plate on the EH-R4000/R2000/R1000, the installation direction is the other way around of what you see in the figure.

Caution

Depending on projectors, the screw holes for the projector plate differ. For the details, refer to "User's Guide" supplied with the projector.

 **Secure these.**



- 2 **Insert the M4x12 screws into the screw holes and tighten them with the Phillips screwdriver.**

Caution

When securing the projector and the projector plate, be sure to use the included M4x12 screws.

Mounting the Projector Plate to the Ceiling Plate

Warning

Keep holding the projector until the installation is complete.

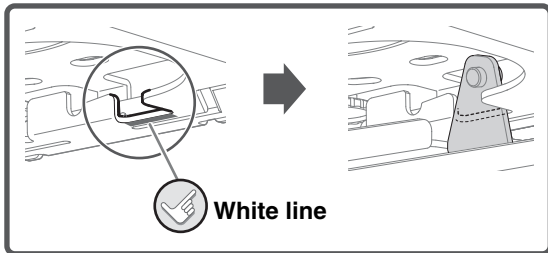
Necessary items for the following procedure




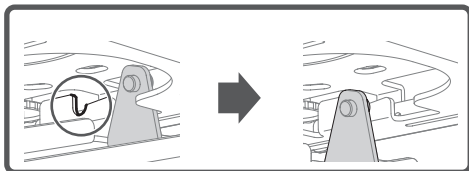
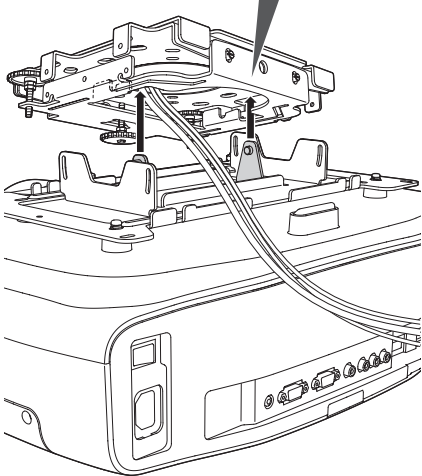
M4x10 screws (mm; w/ washer)


Ball point hex wrench

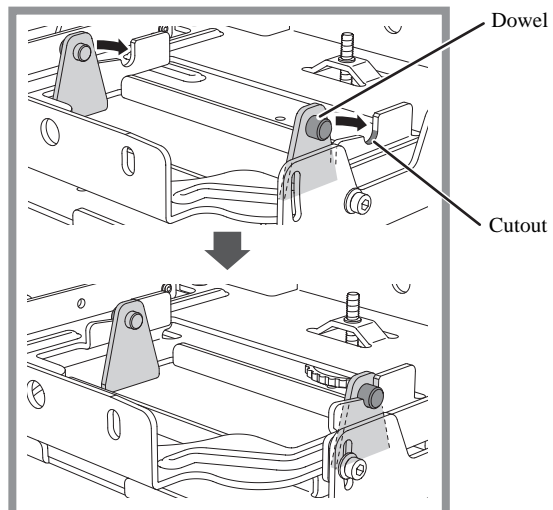
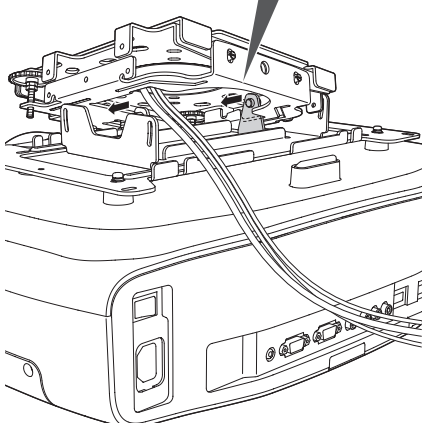
Procedure

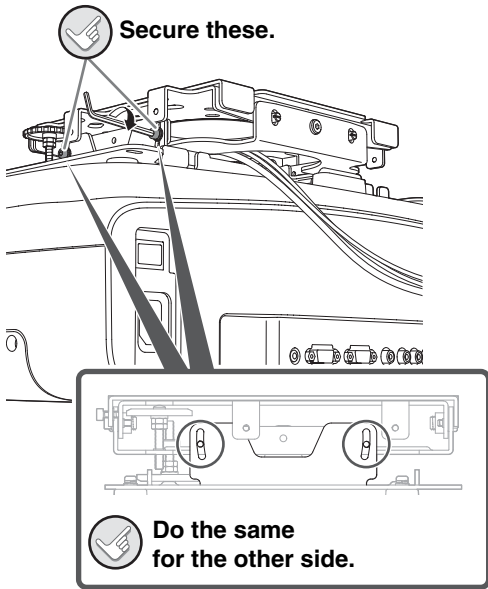


- ① Insert the projector plate through the cutouts on the ceiling plate .



- ② Slide the projector plate and engage the dowels on the projector plate into the cutouts on the ceiling plate .





- 3 Insert the M4x10 screws into the screw holes on the projector plate and tighten them with the ball point hex wrench.
Angle adjustment should be done later, so there's no need to firmly tighten the screws.

Warning

Do not pull the cables forcibly.

When adjusting the angle of the projector, refer to "Adjusting the Position of the Projected Image" in the next section.

Adjusting the Position of the Projected Image

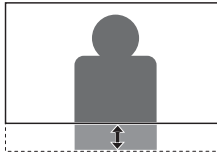
If the projected image is not fit to the screen, adjust the projection position as follows.

- **Adjustment by the Lens Shift (for projectors with the lens shift function only)**

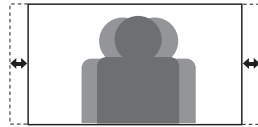
Adjust the projection position by the lens shift function of the projector. For the details on the lens shift, refer to "User's Guide" supplied with the projector.

- **Adjusting the Installation Angle**

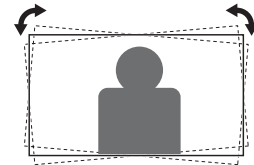
The projection position can be adjusted by tilting or rotating the projector. Adjustment can be done within the following ranges.



Vertical tilt adjustment: 0 to -8°
(☛p.14)



Horizontal rotation adjustment: -3 to 3°
(☛p.16)



Horizontal roll adjustment:
-2.5 to 2.5°
(☛p.17)

If the projector is tilted, the projected image may become distorted into a trapezoidal shape. This distortion can be corrected by the keystone adjustment. However, if the tilting angle becomes larger, focusing the image becomes difficult. For the details on the lens shift and keystone adjustment, refer to "User's Guide" supplied with the projector.

Necessary item for the following procedures



Ball point hex wrench

When reversing the projected image upside down, select the following from the projector's configuration menu.
[Settings] (or [Extended]) - [Projection]

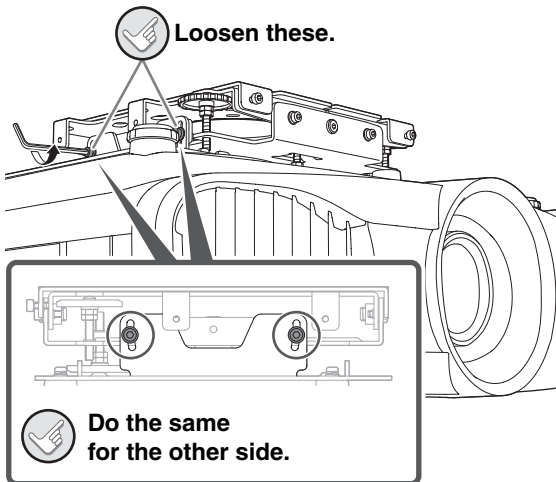
This setting method may differ depending on projectors. For the details, refer to "User's Guide" supplied with the projector.

Shifting the Projected Image Up or Down

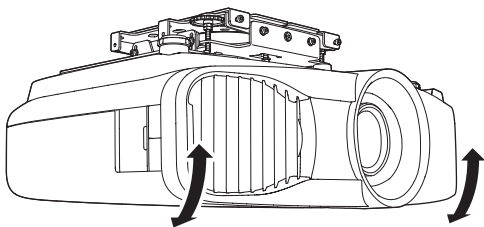
Warning

- **Keep holding the projector until the installation is complete.**
- **Do not loosen or remove the screws carelessly during vertical tilt adjustment.**
The projector may fall and cause an accident.
- **Do not apply extra force to the plate or projector during adjusting the plates.**
The projector or plates may fall and cause an accident.
- **After the adjustment, try re-tightening all the screws again and make sure that all of them are securely tightened.**

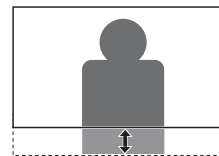
Procedure



- ① If the screws are tightened, slightly loosen the four screws using the ball point hex wrench.

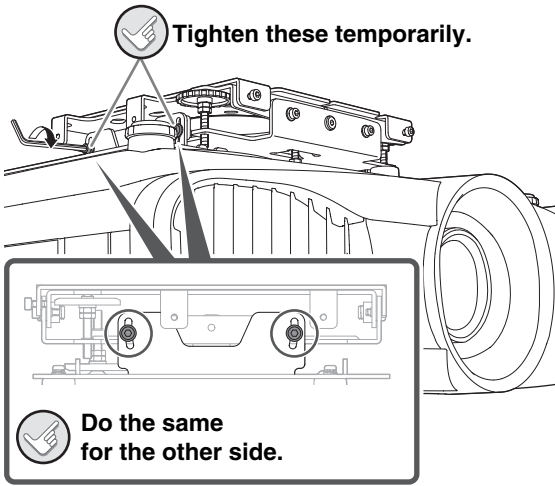


- ② Raise or lower the projector manually and roughly adjust the projection position.

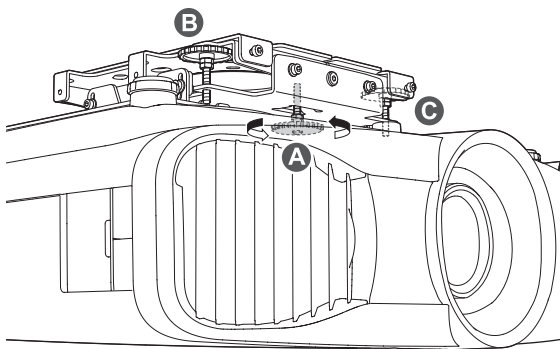


You can fine tune the position downwards in Step 4, so adjust the position slightly higher at this point of the adjustment.

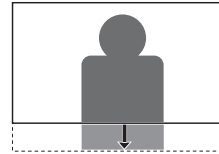
Support the projector at the angle as it was adjusted until secured temporarily.



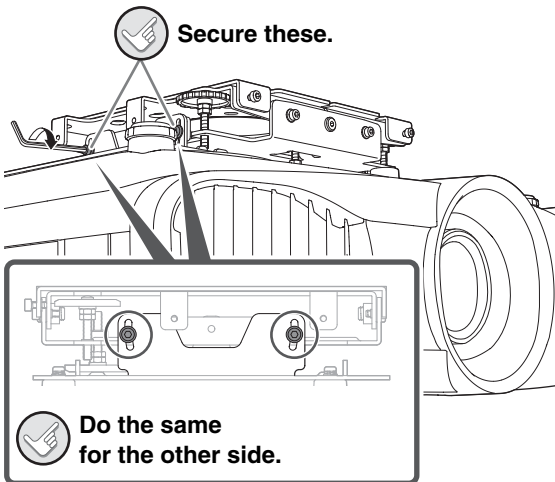
- ③ While supporting the projector, tighten the four screws temporarily with the ball point hex wrench. Do not tighten the screws too much at this point.



- ④ Adjust the angle while lowering the projected image by turning the adjustment dial **A**.



If the projected image is lowered too much, go back to Step 1 and try again.



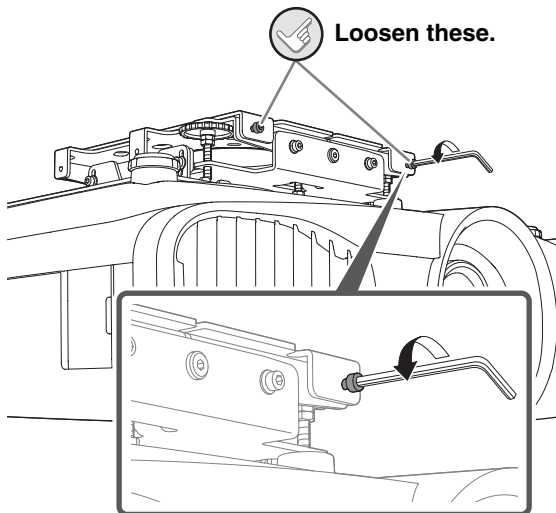
- ⑤ After angle adjustment is complete, tighten the four screws firmly using the ball point hex wrench.

Shifting the Projected Image to the Right or Left

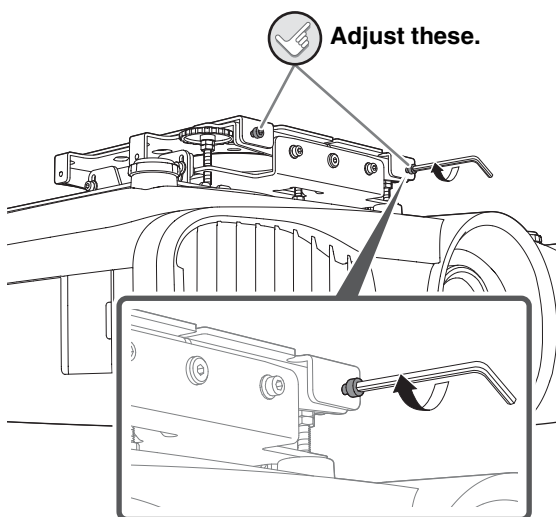
Warning

- Keep holding the projector until the installation is complete.
- Do not loosen or remove the screws carelessly during horizontal rotation adjustment.
The projector may fall and cause an accident.
- Do not apply extra force to the plate or projector during adjusting the plates.
The projector or plates may fall and cause an accident.
- After the adjustment, try re-tightening all the screws again and make sure that all of them are securely tightened.

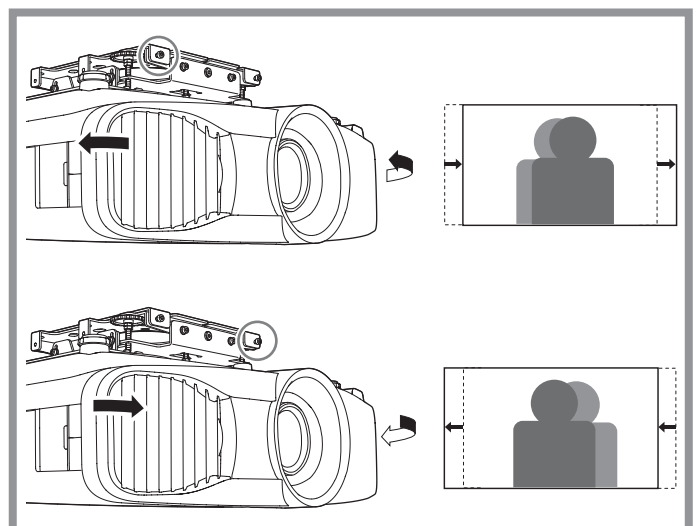
Procedure



- ① If the screws are tightened, loosen the two screws using the ball point hex wrench.



- ② While tightening the screws with the ball point hex wrench, fine tune the position.

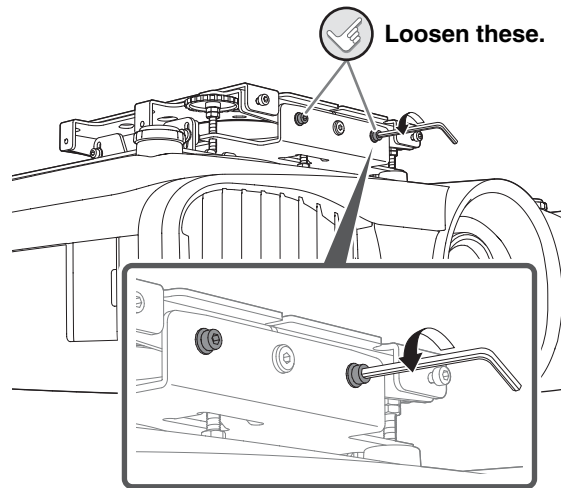


Adjusting the Projected Image's Horizontal Roll

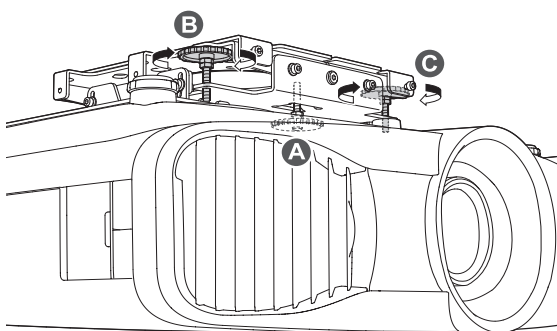
Warning

- **Keep holding the projector until the installation is complete.**
- **Do not loosen or remove the screws carelessly during horizontal roll adjustment.**
The projector may fall and cause an accident.
- **Do not apply extra force to the plate or projector during adjusting the plates.**
The projector or plates may fall and cause an accident.
- **After the adjustment, try re-tightening all the screws again and make sure that all of them are securely tightened.**

Procedure

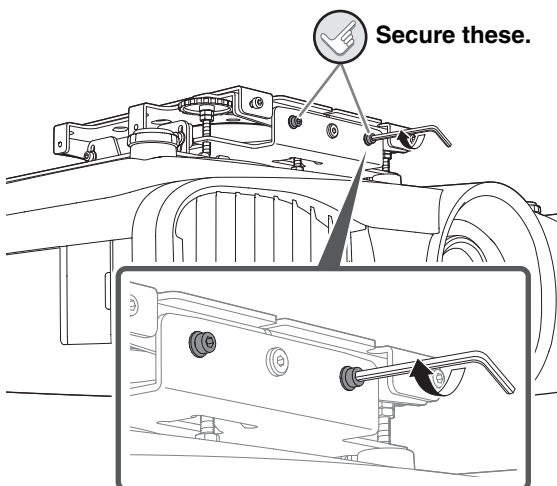
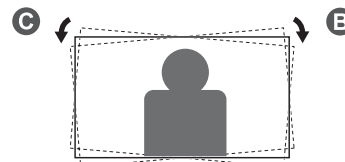


- ① If the screws are tightened, slightly loosen the two screws using the ball point hex wrench.



- ② Adjust the angle by turning the adjustment dial **B** or adjustment dial **C**.

Adjustment dial **B** : Lowers the right side of the projected image.
Adjustment dial **C** : Lowers the left side of the projected image.

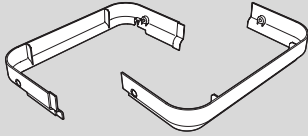


- ③ After angle adjustment is complete, tighten the two screws firmly using the ball point hex wrench.

Installing the Ceiling Plate Cover

Install the ceiling plate cover after adjusting the installation angles as necessary if you want to coordinate the colors of the projector and the ceiling.

Necessary items for the following procedure



Ceiling plate cover



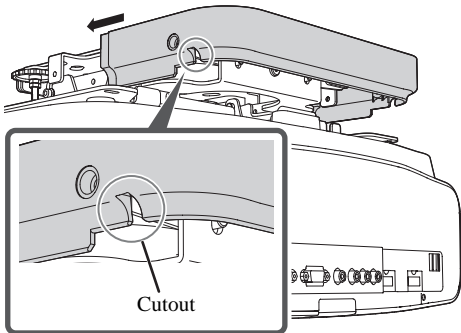
× 4

M4x10 screws
(mm; w/o washer)

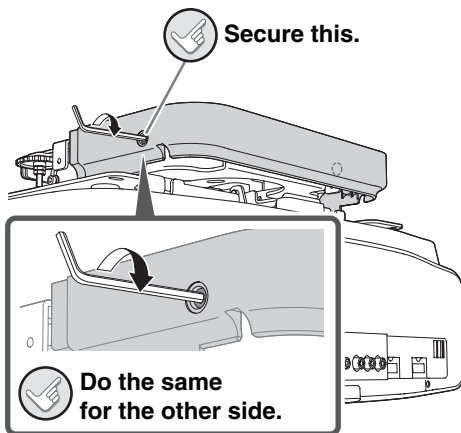


Ball point hex wrench

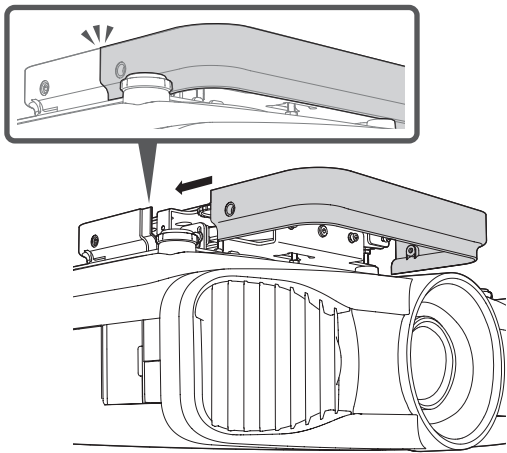
Procedure



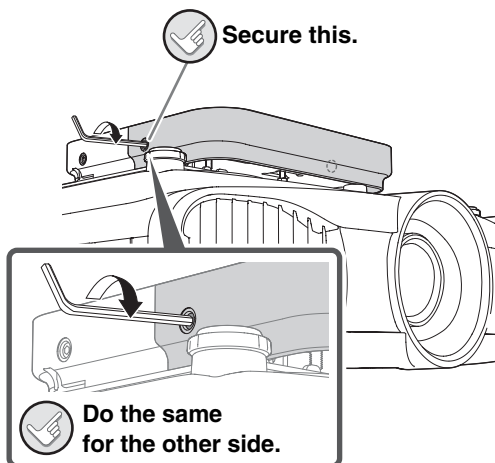
- 1 **Insert the ceiling plate cover to the rear side.**
Use the piece with a cutout to cover the rear side.



- 2 **Insert the M4x10 screws into the screw holes on the ceiling plate cover and tighten them with the ball point hex wrench.**



- ③ Insert the other piece for the screen side and fit it to the ceiling plate cover for the rear side.



- ④ Insert the M4x10 screws into the screw holes on the ceiling plate cover and tighten them with the ball point hex wrench.

Caution

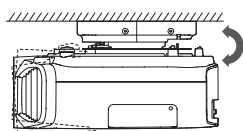
Removal, installation, and adjustment for repair or maintenance of the projector should be performed only by specialists with the required technical know-how and ability. For information about repair or maintenance of the projector, refer to "User's Guide" supplied with the projector.

Inquiries

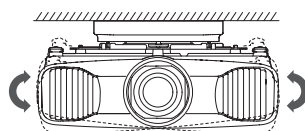
Inquiries can be directed to the contact information given in "User's Guide" supplied with the projector.

Specifications

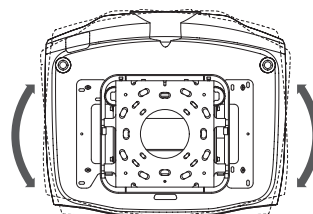
Dimensions	342 (W) x 55 (H) x 230 (D) mm (including ceiling plate cover)	
Weight	Approx. 3.5 kg (including ceiling plate cover)	
Adjustable range	Vertical tilt adjustment	0 to -8°
	Horizontal roll adjustment	-2.5 to 2.5°
	Horizontal rotation adjustment	-3 to 3°



Vertical tilt adjustment



Horizontal roll adjustment



Horizontal rotation adjustment