

# Electrolux



## Dryer

Front Load Perfect Steam™ Electric Dryer with Predictive Dry™ and Instant Refresh – 8.0 Cu. Ft.

ELFE7537AT, ELFE7537AW

Available Colors : Titanium, White

Version : 11/21

### Dryer

Air Flow	200 CFM
Drum Back Type	Painted Steel
Drum Material	Painted Steel
Dryness Level Selections	Yes
Lint Filter	Yes
Predictive Dry	Yes

### Dryer Cycles

Cycle Count	10
Activewear	Yes
Allergen	Yes
Delicates	Yes
Fast Dry	Yes
Heavy Duty	Yes
Instant Refresh	Yes
Mixed Load	Yes
Normal	Yes
Timed Dry Time	Yes
Towels	Yes

### Dryer Options

Anti Static	Yes
Delay Start Time	1-12 Hours
Drum Light	Yes
Dry Boost	Yes
Extended Tumble	Yes
Perfect Steam	Yes
Wrinkle Release	Yes

### Drying Temperatures

Low	Yes
Normal	Yes
High	Yes
Sanitize	Yes
Eco Dry	Yes

### Dryness Level

Max	Yes
High	Yes
Normal	Yes
Low	Yes
Damp	Yes

### Controls

Cancel	Yes
Cycle Status Lights	Yes
Delay Start	Yes
Estimated Time Remaining	Yes
Control Lock	Yes
Pause Function	Yes
Power On/Off	Yes
Start	Yes

### Exterior

Door Latch	Yes
Reversible Door	Yes

### Dimensions and Volume

Height	38"
Width	27"
Depth	32"
Dryer Drum Capacity	8 Cu. Ft.

### Electrical Specifications

Minimum Circuit Required	30 Amps
Voltage Rating	208/240v

### Energy Data

Combined Energy Factor (CEF)	3.48
kWh/cycle	2.5 kWh
kWh/year	620 kWh

High standards of quality at Electrolux Home Products, Inc. mean we are constantly working to improve our products. We reserve the right to change specifications or discontinue models without notice.

Electrolux Major Appliances, N.A.

USA • 10200 David Taylor Drive • Charlotte, NC 28262 • Charlotte, NC 28262 • 1-877-4electrolux (1-877-435-3287) • [electroluxappliances.com](http://electroluxappliances.com)

CANADA • 5855 Terry Fox Way • Mississauga, ON L5V 3E4 • 1-800-265-8352 • [electroluxappliances.ca](http://electroluxappliances.ca)

Front Load Perfect Steam™ Electric Dryer with Predictive Dry™ and Instant Refresh – 8.0 Cu. Ft.

ELFE7537AT, ELFE7537AW

Version : 11/21

## Installation

Optional Pedestal	Yes
-------------------	-----

## General Specifications

Chime On / Chime Off	Yes
----------------------	-----

Leveling Legs	Yes
---------------	-----

Prop 65 Label	No
---------------	----

Warranty - Labor	1 Year
------------------	--------

Warranty - Parts	1 Year
------------------	--------

## Performance Certifications and Approvals

ENERGY STAR Certified	Yes
-----------------------	-----

## Safety Certifications and Approvals

UL Listed	Yes
-----------	-----

High standards of quality at Electrolux Home Products, Inc. mean we are constantly working to improve our products. We reserve the right to change specifications or discontinue models without notice.

Electrolux Major Appliances, N.A.

USA • 10200 David Taylor Drive • Charlotte, NC 28262 • Charlotte, NC 28262 • 1-877-4electrolux (1-877-435-3287) • [electroluxappliances.com](http://electroluxappliances.com)

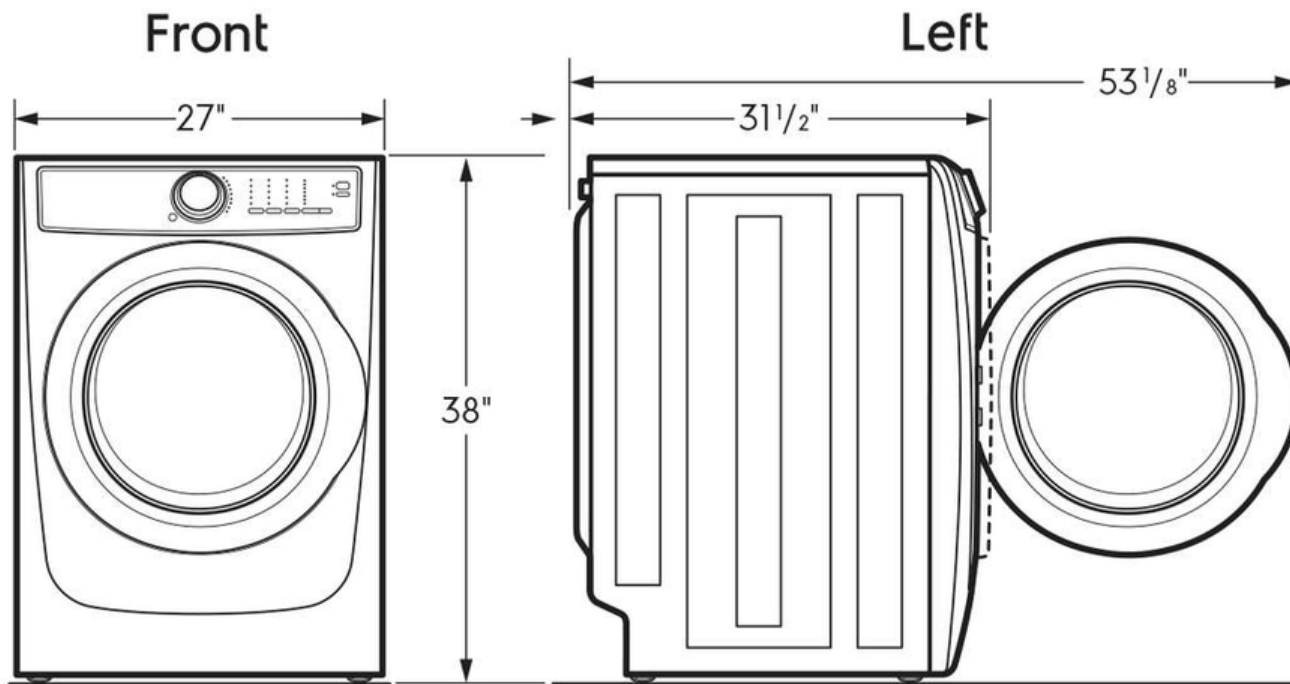
CANADA • 5855 Terry Fox Way • Mississauga, ON L5V 3E4 • 1-800-265-8352 • [electroluxappliances.ca](http://electroluxappliances.ca)

# Electrolux

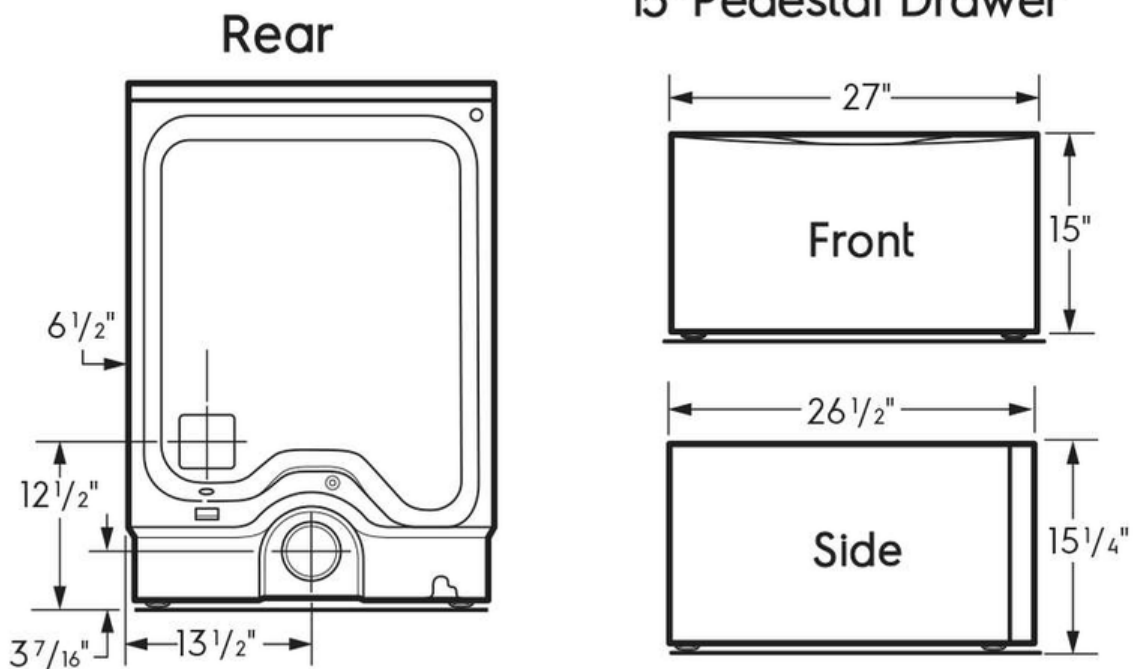
Front Load Perfect Steam™ Electric Dryer with Predictive Dry™ and Instant Refresh – 8.0 Cu. Ft.

ELFE7537AT, ELFE7537AW

Version : 11/21



## Optional 15" Pedestal Drawer



High standards of quality at Electrolux Home Products, Inc. mean we are constantly working to improve our products. We reserve the right to change specifications or discontinue models without notice.

Electrolux Major Appliances, N.A.

USA • 10200 David Taylor Drive • Charlotte, NC 28262 • Charlotte, NC 28262 • 1-877-4electrolux (1-877-435-3287) • [electroluxappliances.com](http://electroluxappliances.com)

CANADA • 5855 Terry Fox Way • Mississauga, ON L5V 3E4 • 1-800-265-8352 • [electroluxappliances.ca](http://electroluxappliances.ca)