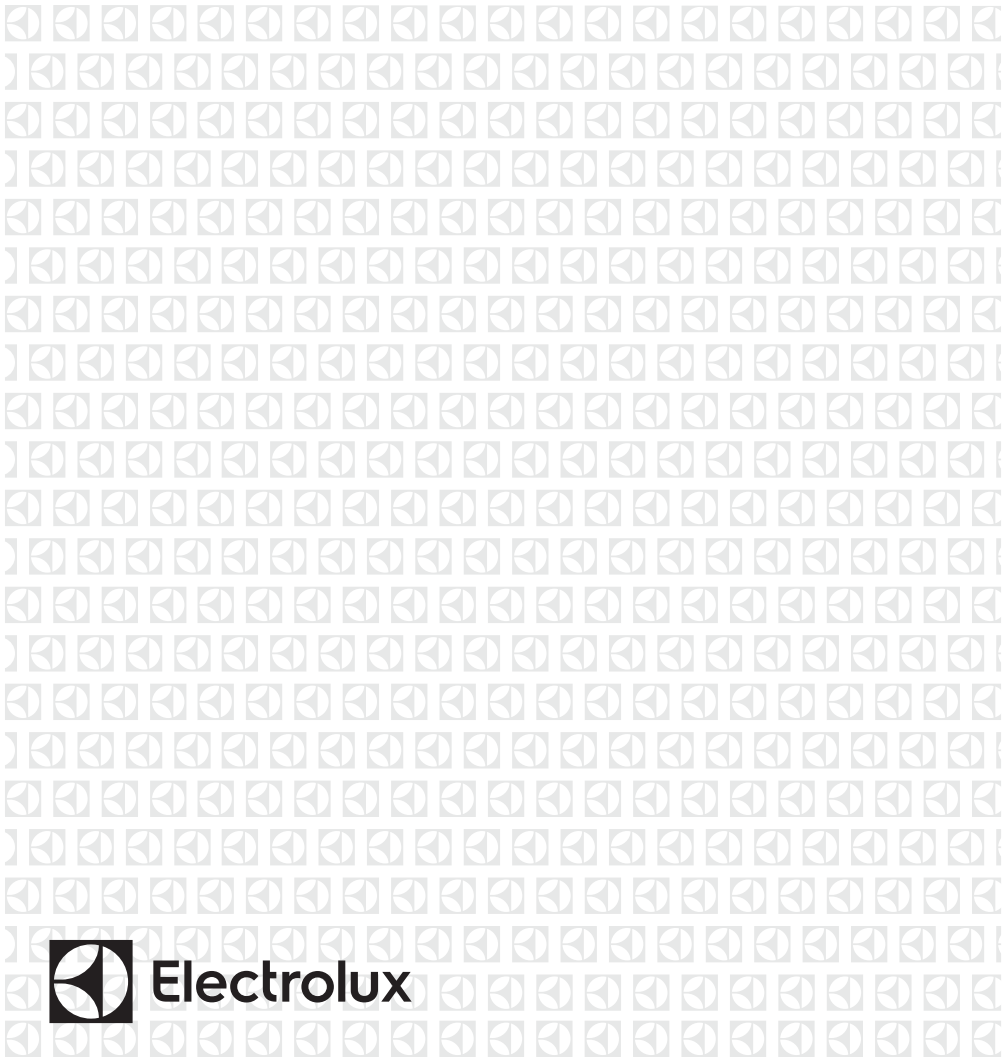


---

**EN** DISHWASHER  
FR LAVE-VAISSELLE  
ES LAVAVAJILLAS

---

USE & CARE GUIDE  
GUIDE D'UTILISATION ET D'ENTRETIEN  
GUÍA DE USO Y CUIDADO



# 2 Important Safety Information

## Please read and save this guide

Thank you for choosing Electrolux, our premium brand in home appliances. This *Use & Care Guide* is part of our commitment to customer satisfaction and product quality throughout the service life of your new appliance.

We view your purchase as the beginning of a relationship. To ensure our ability to continue serving you, please use this page to record important product information.

## Keep a record for quick reference

Purchase date

Electrolux serial number

Electrolux model number

## Table of contents

Important Safety Information.....	2
Features .....	5
Controls and Settings .....	7
Operating Instructions .....	9
Care and Cleaning.....	12
Troubleshooting.....	14
Warranty.....	18

## Questions?

For toll free telephone support or online support in the US and Canada contact:

### U.S.

1-877-4ELECTROLUX (1-877-435-3287)  
[www.electroluxappliances.com](http://www.electroluxappliances.com)

### Canada

1-800-265-8352  
[www.electroluxappliances.ca](http://www.electroluxappliances.ca)



### NOTE

Registering your product with Electrolux enhances our ability to serve you. You can register online at [www.electroluxappliances.com](http://www.electroluxappliances.com), send your Product Registration Card in the mail, or PHOTOREGISTER<sup>SM</sup> using a smart phone. See registration card for details.



### NOTE

The instructions appearing in this *Use & Care* guide are not meant to cover every possible condition and situation that may occur. Common sense and caution must be practiced when installing, operating and maintaining any appliance.



### WARNING

For your safety the information in this manual must be followed to minimize the risk of fire or explosion or to prevent property damage, personal injury or loss of life. Do not store or use gasoline or other flammable vapors and liquids in the vicinity of this or any other appliance.

**READ ALL INSTRUCTIONS BEFORE OPERATING THIS DISHWASHER.**

**SAVE THESE INSTRUCTIONS FOR FUTURE REFERENCE.**

## Important safety instructions

### Recognize safety symbols, words and labels

Safety items throughout this manual are labeled with a DANGER, WARNING, or CAUTION based on the risk type.



### DANGER

DANGER indicates an imminently hazardous situation which, if not avoided, will result in death or serious injury.



### WARNING

WARNING indicates a potentially hazardous situation which, if not avoided, could result in death or serious injury.



### WARNING - RISK OF FIRE

To reduce the risk of fire, electrical shock, or injury to persons when using this dishwasher, comply with the warnings listed below. Failure to comply with these Important Safety Information and warnings could result in property damage, serious personal injury, or death.

### For your safety

- Use your dishwasher only as instructed in this Use and Care Manual.
- This Manual does not cover every possible condition and situation that may occur. Use common sense and caution when installing, operating and maintaining any appliance.
- NSF certified residential dishwashers are not intended for licensed food establishments.
- DISHWASHER MUST BE ELECTRICALLY GROUNDED. This appliance must be connected to a ground metal, permanent wiring system, or an equipment-grounding conductor must be run with the circuit conductors and connected to the equipment-grounding terminal or lead on this appliance. Read the Installation Instructions for details.
- This dishwasher is designed to operate on regular house current (120V, 60Hz). Use a circuit equipped with a 15 ampere fuse or circuit breaker. Use a 20 ampere fuse if dishwasher is connected with a food disposer.

### Definitions



This is the safety alert symbol. It is used to alert you to potential personal injury hazards. Obey all safety messages that follow this symbol to avoid possible injury or death.



### CAUTION

CAUTION indicates a potentially hazardous situation which, if not avoided, may result in minor or moderate injury.



### IMPORTANT

Indicates installation, operation, or maintenance information which is important but not hazard-related.

- Do not operate dishwasher unless all enclosure panels are in their proper place.
- Use only detergents and rinse agents recommended for use in a dishwasher.
- Store dishwasher detergent and rinse agents out of the reach of children.
- If the dishwasher drains into a food disposer, make sure disposer is completely empty before running dishwasher.
- Do not wash plastic items unless marked: "Dishwasher Safe" or equivalent. Check with manufacturer for recommendations, if not marked. Items that are not marked dishwasher safe may melt and create a potential fire hazard.
- When loading items to be washed:
  - Locate sharp items and knives so that they are not likely to damage the door seal or tub.
  - Load sharp items and knives with the handles up to reduce the risk of cut-type injuries.
- Do not tamper with controls.

## 4 Important Safety Information

- Use care unloading the dishware when the SANITIZE option has been selected. Contents may be hot to the touch immediately after the end of cycle.
- Under certain conditions, hydrogen gas may be produced in a hot water system that has not been used for 2 weeks or more. HYDROGEN GAS IS EXPLOSIVE. If hot water system has not been used for such a period, before using dishwasher, turn on all hot water faucets and let water flow from each for several minutes. This will release any accumulated hydrogen gas. HYDROGEN GAS IS FLAMMABLE. Do not smoke or use an open flame during this time.
- Do not store or use combustible materials, gasoline or other flammable vapors and liquids in the vicinity of this or any other appliance.
- Disconnect electrical power to dishwasher before servicing.
- Repairs should be done by a qualified technician.

### Child safety

- This appliance is not intended for use by persons (including children) with reduced physical, sensory or mental capabilities, or lack of experience and knowledge, unless they have been given supervision or instruction concerning use of the appliance by a person responsible for their safety.
- Close supervision of children is necessary when the appliance is used near children. As children grow, teach them the proper, safe use of all appliances.
- DO NOT allow children to play in or on the dishwasher
- DO NOT allow children to abuse, sit, stand or play on door or racks of a dishwasher.
- Destroy the carton, plastic bag and other packing materials after the appliance is unpacked. Children might use them for play. Cartons covered with rugs, bedspreads or plastic sheets can become airtight chambers.

- Keep dishwasher products out of children's reach. To prevent personal injury, observe all warnings on product labels.
- To avoid entrapment and/or suffocation, remove door or door latch mechanism from any dishwasher that is discarded or not in use.
- Failure to comply with these warnings could result in serious personal injuries.

### Risk of child entrapment

Child entrapment and suffocation are not problems of the past. Junked or abandoned appliances are still dangerous – even if they will sit for “just a few days”. If you are getting rid of your old appliance, please follow the instructions below to help prevent accidents.

We strongly encourage responsible appliance recycling/disposal methods. Contact your State/Province Energy Office, Local Electric and Water Utilities or Conservation Program Office or visit [www.energystar.gov/recycle](http://www.energystar.gov/recycle) for more information on recycling your old washer or dryer.

### Before you throw away your old appliance:

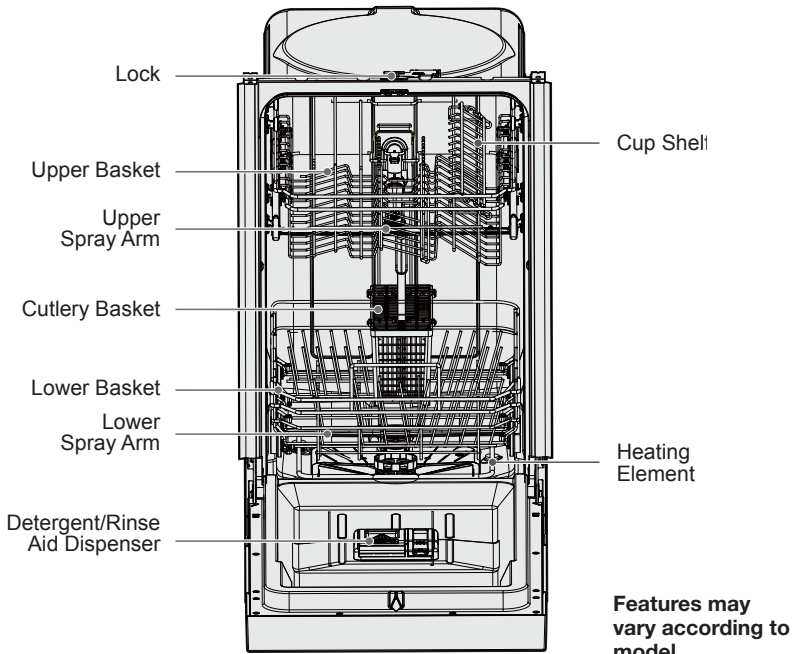
- Remove doors or door latch.
- Remove the electric power cord
- Secure all hoses and drain pipes to prevent water from leaking out and creating a slip hazard.



### WARNING

To reduce the risk of fire, electrical shock or injury when using your dishwasher, follow all the preceding precautions.

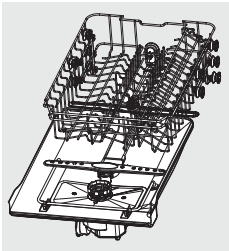
Your dishwasher cleans by spraying a mixture of hot water and detergent through the spray arms against soiled surfaces. First, the dishwasher drains for a few seconds to remove soils dropped while loading, then fills with water covering the filter area. Water is then pumped through the spray arms. Soil particles go through and across the filter and down the drain as the water is pumped out. This series of steps are repeated as needed. The number of water fills varies with the cycle being used.



**Features may vary according to model**

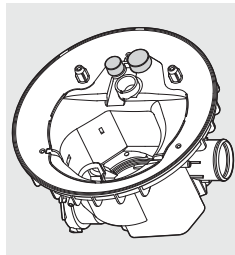
## Smart wash system

This dishwasher has a Smart Wash System. It can determine the type of cycle required and automatically adjust the cycle to clean the dishes more efficiently. When a partial load of lightly soiled dishes is placed in the unit, a wash cycle similar to a short wash will automatically be performed. When a full load of heavily soiled dishes is placed in the unit, a heavy wash cycle will automatically be performed.



## Multiple filter system

This dishwasher has a multiple Filter System. In the System there are three mesh filters. It can separate soiled water and clean water in different chambers. The multiple filter system helps to get better performance with less water and less energy.



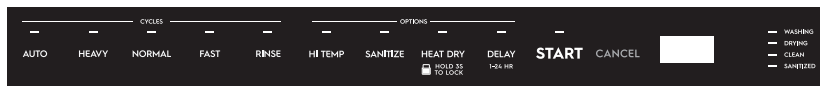
# 6 Features

## Product specifications:

CAPACITY	8 PLACE SETTINGS
Dimensions	17.6 x 22.6 x 32.4 inches 450 x 575 x 825 mm (W x D x H)
Power Supply	120v, 60Hz
Rated Power Usage	wash motor 100W, heater 700W
Water feed pressure	20 psi–120 psi (0.14 MPa–0.82 MPa)

## Getting started

1. Run the hot water faucet nearest dishwasher until water is hot.
2. Load the dishwasher. (See Loading the dishes.)
3. Add detergent. (See Detergent and rinse aid dispenser.)
4. Add rinse aid, if needed. (See Detergent and rinse aid dispenser.)
5. Select desired cycle. (See Wash cycles.)
6. Select desired options. The indicator light will illuminate when selected. (See Wash options.)
7. To start, press **START** pad and close door within **4 seconds**.



Wash Cycles

Wash Options

Functions

Cycle Indicator

## Wash cycle selections

Cycle times are approximate and will vary with the options selected. Hot water is necessary to activate the detergent and melt fatty food soils. An automatic sensor will check the incoming water temperature. If it is not at the appropriate temperature the timer will delay the cycle to allow automatic water heating during the main wash. When the **HI TEMP** wash is selected an even higher temperature will be assured to handle heavier soil loads.

## Wash cycles

### AUTO

Auto Cycle uses sensors in the dish washer to determine the soil level of the dish load, then adjusts the wash cycle to optimize the wash performance, water and energy usage.

### HEAVY

Recommended for pots, pans, casseroles and dinnerware having heavily soiled loads.

### NORMAL

Recommended for lightly to heavily soiled loads.

### FAST

A shorter wash recommended for lightly soiled loads.

### RINSE

Recommended for pre-rinsing dishes or glasses. This is only a rinse that keeps food from drying on your dishes and reduces odor buildup in your dishwasher until you are ready to wash a full load. Do not use detergent.

## Wash options

### HI TEMP

When **HI TEMP** is selected, the temperature of the water will be maintained at 140°F (60°C) max.

### SANITIZE

When **SANITIZE** is selected, the temperature of water will be maintained at 156.2°F (69°C) max. The max temperature may not be reached if the incoming water temperature is not correct. Certified residential dishwashers are not intended for licensed food establishments.



## WARNING

The **SANITIZE** option is only available with **HEAVY** and **NORMAL** wash cycles.

### HEAT DRY

When **HEAT DRY** is selected, the heater will work during the drying process.

## Functions

### START

Press **START** and close door within **4 seconds** to start a wash cycle.

### CANCEL

Press **CANCEL** to cancel a cycle that is already in progress.

### DELAY

The **DELAY** option allows you to automatically delay starting your dishwasher from 1-24 hours. To start 1-24 hour delay, press the **DELAY** button until the desired delay time shows in the display window (1h-24h) and press the **START** button. A light will come on indicating the delay start has been activated and will remain on until the cycle starts. To cancel the delay option and begin the cycle before the delay period is over, press the **CANCEL** button.

### Control lock

Use to lock all controls and prevent children from accidentally changing the dishwasher cycle or starting the dishwasher. Press and hold **HEAT DRY** for **3 seconds** to lock. After the function is selected the control lock illuminate. Press and hold again for **3 seconds** to unlock.

# 8 Controls and Settings

## Display window

This LED screen displays the minutes remaining in a running cycle, hours of delay before the unit is set to start, error codes, etc.

- If the machine is in operation, the remaining time (mins) of the selected cycle will be shown in the display window.
- If the **DELAY** option is selected, the number of hours of delay (1h-24h) will be shown in the display window. After the machine starts, the remaining time of the selected cycle will be shown in minutes on the display window.



### NOTE

The remaining time could suddenly increase or drop several minutes. This means the Smart Sensor has checked the soil level and adjusted the number of fill cycles.

- If an error occurs which is critical to the machines function and safe operation, the control shall shut down and indicate an error code in the display window. (See Error Codes).

If Error codes are displayed, contact the dealer or qualified service center. They will be available to provide assistance in trouble shooting the problem and/or locate and authorized service technician if needed.

## Cycle progress indicator

The cycle progress indicator lights will illuminate as each stage of the wash cycle is reached.



### WASHING

When the dishwasher is **WASHING** the load, the Washing light will illuminate.

### DRYING

When the dishwasher is at drying stage, the **DRYING** light will illuminate.

### CLEAN

After the cycle has ended, the **CLEAN** light will illuminate until the dishwasher door has been opened.

### SANITIZED

When Sanitize is selected, the **SANITIZED** light will illuminate after the cycle has ended.

## Cycle Chart

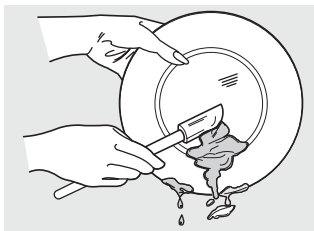
CYCLE	OPTIONS AVAILABLE	WATER USAGE	CYCLE TIME
<b>AUTO</b>	HEAT DRY	2.5–4.9 gal. 9.5–18.5 liters	120–155 mins.
<b>HEAVY</b>	SANITIZE, HI TEMP, OR HEAT DRY	4.9 gal. 18.5 liters	155–160 mins.
<b>NORMAL</b>	SANITIZE, HI TEMP, OR HEAT DRY	2.5–4.9 gal. 9.5–18.5 liters	125–160 mins.
<b>FAST</b>	HEAT DRY	3.3 gal. 12.5 liters	60–100 mins.
<b>RINSE</b>	HEAT DRY	1.8 gal. 6.7 liters	20–55 mins.



## Loading the Dishes

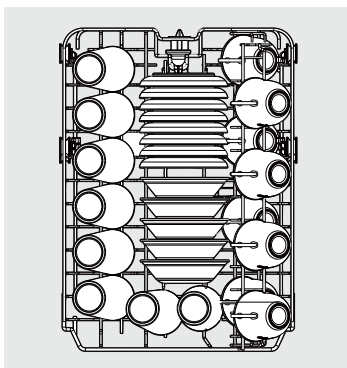
Scrape away large pieces of food, bones, pits, toothpicks, etc. The continuously filtered wash system will remove the remaining food particles. Burned on foods should be loosened before loading. Empty liquids from glasses and cups. Foods such as mustard, mayonnaise, vinegar, lemon juice and tomato based products may cause discoloration of stainless steel and plastics if allowed to sit for a long period of time.

Unless the dishwasher is to be operated at once it is best to rinse off these food soils. If the dishwasher drains into a food disposer, **be sure disposer is completely empty before starting dishwasher.**



## Loading the upper basket

Features and appearance of racks and silverware basket as shown may vary from your model.



Standard 8 place setting for upper basket.

The upper basket has been designed for small plates, mugs, glasses, and plastic items marked "dishwasher safe", etc. For best results, place the bowls, cups, glasses with soiled surface facing down

or toward the center. Tilt slightly for better drainage. Load small plates and bowls in two half rows, so that the front of each plate faces the back of the plate in front of it, and the open sides of the plates at the center of the dishwasher face each other.

When loading dishes, pull the upper basket out sufficiently so you can load it without striking the counter.

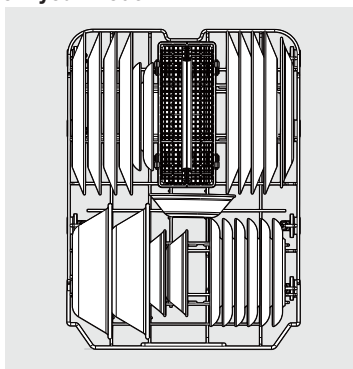


## WARNING

Make sure the loaded items do not interfere with the rotation of the spray arm located at the bottom of the upper basket. (Check this by rotating the spray arm by hand.)

## Loading the lower basket

Features and appearance of racks and silverware basket as shown may vary from your model.



Standard 8 place setting for lower basket.

The bottom basket is designed to load plates, soup bowls, plates, saucers and cookware.

- The adjustable basket space will allow you to load items with a maximum height of 11 inches.
- The fold-down tines in the bottom basket make it easy to load those extra large and hard-to-fit items. The tines may be left up for normal use or folded down for more flexible loading. Fold down for more space to load large pots or pans.

Load your plates into the dishwasher in two half rows, so that the front of each plate faces the back of the plate in front of it, and

# 10 Operating Instructions

the open sides of the plates at the center of the dishwasher face each other.

Large items should be turned so that the inside faces downward. Load large items such as pans and pots into the dishwasher so their open sides face downwards. We recommend loading cups, stemware, and small plates into the upper basket.

Larger items should be placed along the edge so they do not interfere with the spray arm rotation. Check to ensure that they do not prevent the detergent dispenser from opening.



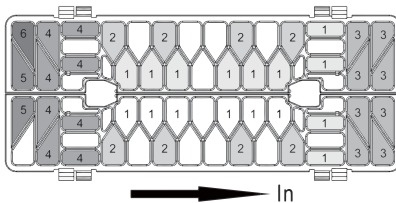
## WARNING

Make sure the loaded items do not interfere with the rotation of the spray arm located at the bottom of the upper basket. (Check this by rotating the spray arm by hand.)

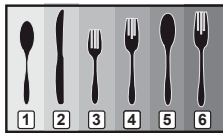
## Loading the silverware basket

Features and appearance of racks and silverware basket as shown may vary from your model.

The silverware basket can be divided into three separate modules that can be used in both upper and lower racks.



1. Spoons
2. Knives
3. Salad forks
4. Forks
5. Large spoons
6. Large forks



## WARNING

Load sharp items (knives, skewers, etc.) pointing down. Failure to do so may result in injury.



## WARNING

Make sure the loaded items do not interfere with the rotation of the spray arm located at the bottom of the upper basket. (Check this by rotating the spray arm by hand.)

## Adding a dish

To add or remove items after cycle starts:

1. Make sure there is a full wash cycle yet to be completed so that any added items are thoroughly washed and rinsed.
2. Open door slightly until wash action stops before completely opening.
3. Add the item.
4. Close door firmly to latch and press the **START** button to resume the wash cycle.



## WARNING

### BURN HAZARD

Slightly open door and wait until spray arms and wash action stop. Hot water may splash out of dishwasher. Failure to do so may result in injury.

## Detergent and rinse aid dispenser

The detergent and rinse aid dispenser will automatically release the measured amount of detergent and rinse aid at the appropriate time during the dishwasher cycles.

Rinse aid greatly improves drying and reduces water spots and filming. Without rinse aid your dishes and dishwasher interior will have excessive moisture.

The **HEAT DRY** option will not perform as well without rinse aid. The rinse aid dispenser, located next to the detergent cup, automatically releases a measured amount of rinse aid during the last rinse.

Check the viewing port over rinse aid dispenser to determine if the rinse aid is low. Fill as needed.

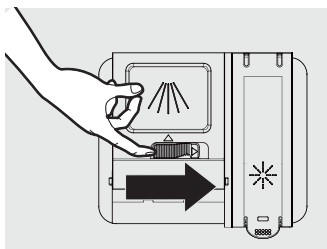


## NOTE

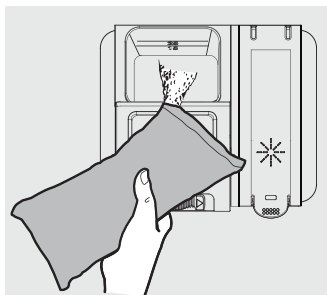
Your dishwasher is designed to use a liquid rinse aid. The use of rinse greatly improves drying performance after the final rinse. Do not use a solid or bar-type rinse aid. Under normal conditions, the rinse aid will last approximately one month. It is best to keep it full, but do not over fill.

## Filling the detergent dispenser

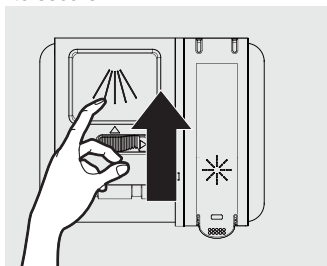
1. Push the dispenser cover release catch to open the main wash detergent compartment.



2. Add the recommended amount of detergent to the detergent compartment.



3. Press down on the top of the cover to secure.



## Filling the rinse aid dispenser

Rinse aid improves the drying performance of the dishwasher.

This dishwasher has been designed to **use liquid rinse aid only**. Using a powdered rinse aid will clog the reservoir opening and cause the dishwasher to malfunction.



### NOTE

Visually check viewing port to determine if rinse aid is low. Fill as needed.

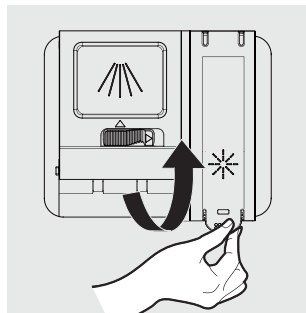


### WARNING

- DO NOT add regular detergent to the rinse aid dispenser.
- DO NOT use powdered rinse aid in the rinse aid dispenser.

### To refill the rinse aid dispenser:

1. Lift up the end tab of rinse aid cover to open.



2. Fill the rinse aid dispenser with liquid rinse aid until full. DO NOT overfill.



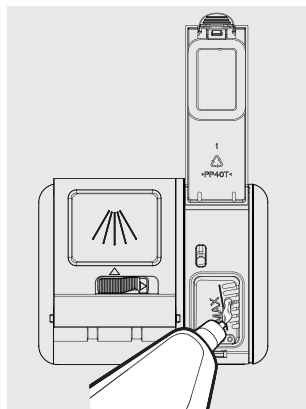
### NOTE

Use the viewing port when filling the rinse aid reservoir.



### WARNING

Do not fill the reservoir above the full level indicator. Excess rinse aid can overflow during the wash cycle.



3. Press the rinse aid cover down firmly to close.

## 12 Care and Cleaning

### Cleaning the dishwasher

Keeping your dishwasher clean improves its performance, reduces unnecessary repairs, and lengthens its life.

#### Cleaning the exterior

It's best to clean spills on the outside of your dishwasher as they occur. Use a soft, damp cloth on the control panel to gently wipe away spills and dust. Do not use benzene, wax, thinner, chlorine bleach, or alcohol. These materials may discolor the inner walls and cause stains. Do not clean the dishwasher by sprinkling water over it and avoid letting water come into contact with any of the electrical parts.



#### NOTE

If your dishwasher has a stainless steel door panel, you can clean it with a stainless steel cleaner for Home Appliances or a similar product using a clean, soft cloth.

#### Cleaning the interior



#### WARNING

##### BURN HAZARD

Allow heating element to cool before cleaning the interior. Failure to do so can result in burns.

Clean the interior of your dishwasher periodically to remove any dirt or food particles. Wipe the inside of the dishwasher and the inner part of the door with a wet dishcloth. We recommend filling the detergent dispenser with dish detergent, and then running the dishwasher empty periodically using either the **NORMAL** or **FAST** cycle with the **SANITIZE** option. This will keep your dishwasher clean.

If white spots and odor are still present in your dishwasher after initial cleaning:

1. Run the **NORMAL** cycle with the dishwasher empty and without detergent until it flushes.
2. Then, interrupt the cycle and put an 8 ounce cup of white vinegar into the lower basket.
3. Close the dishwasher and let the cycle finish.



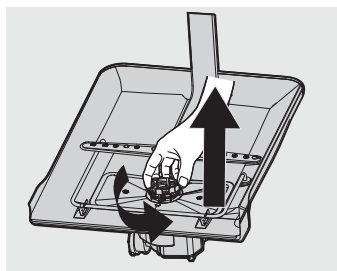
#### WARNING

Do not remove the tub front seal (the long rubber seal enclosing the opening of the dishwasher).

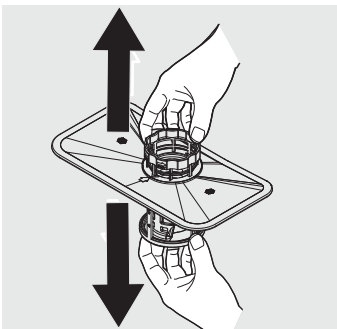
#### Cleaning the filter

To clean the filters:

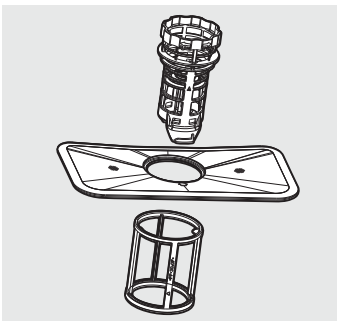
1. Turn off the dishwasher.



2. Rotate the filter insert counterclockwise to unfasten and then detach the filter insert.



3. Remove the fine filter (flat, rectangular).



4. Remove any dirt or other remains from the filters, and then rinse them under running water.
5. Reassemble the filters in the reverse order of the disassembly, replace the filter insert, and rotate clockwise to the close arrow.



## CAUTION

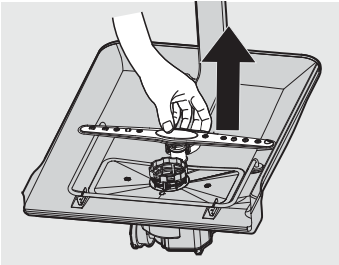
If the filter insert is not closed properly, its performance will be decreased.

### Cleaning the lower spray arm

If your dishwasher does not seem to be cleaning adequately or the spray arm nozzles seem clogged, the lower spray arm can be removed and cleaned. Remove spray arm carefully to avoid damage.

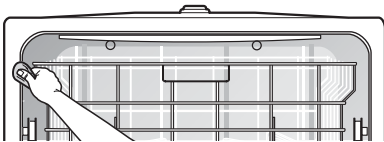
To remove lower spray arm:

1. Check whether the nozzle holes are clogged by food particles.
2. If cleaning is needed, remove the spray arm by pulling it upwards.
3. Clean the nozzles, and then push the spray arm back into place.
4. Rotate the spray arm to check that it is properly in place.



### Cleaning the door gasket

If the dishwasher door is not closing properly or if water is leaking from the door during the cycle, check that door gasket is clear of debris. If needed, clean the door gasket with a damp cloth to remove food particles and ensure a tight seal.



## Winterizing

A dishwasher left in an unheated place should be protected from freezing. Have a qualified person do the following.

### To disconnect service:

1. Turn off electrical power to the dishwasher at the supply source by removing fuses or tripping circuit breaker.
2. Shut off water supply.
3. Place a pan under the inlet valve. Disconnect water line from the inlet valve and drain into pan.
4. Disconnect drain line from pump and drain water into pan.

### To Restore Service:

1. Reconnect the water, drain, and electrical power supply.
2. Turn on water and electrical power supply.
3. Fill detergent cup and run the dishwasher through a **HEAVY** wash cycle.
4. Check connections to make sure they do not leak.



## CAUTION

Freezing temperatures may cause water lines to rupture. Be sure all supply lines to and circulating lines within your dishwasher are protected. Failure to do so could result in property damage.



## NOTE

See Installation Instructions for more details.

# 14 Troubleshooting

## Normal operating sounds

Your dishwasher uses energy efficient motors for the wash and drain portions of the cycle you select. Each cycle has a series of water fills and drains for washing and rinsing dishes. As each cycle begins, you may or may not hear the drain motor. You may also hear the splashing of water as it enters the tub and the spray arms as they rotate and circulate water. The wash motor often pulsates throughout the cycle, which varies water pressure and optimizes performance.

Loud ticking can mean that something is hitting wash arm. Vibrating or rattling sounds can mean dishes are touching each other. See Preparing and Loading Dishes.

## Removing spots and film

Hard water can cause lime deposit buildup on the interior of the dishwasher. Dishes and glasses may also get spots and film for a number of reasons. (See Glassware/Flatware Spotted or Cloudy section). To remove buildup, and film, clean using the following instructions:

1. Load clean dishes and glasses in normal manner. Do not load any metal utensils or silverware.
2. Do not add detergent.
3. Select the **normal** cycle. Press **START**. Close and latch the door.
4. Allow dishwasher to run until it starts the second water fill (approximately 10 minutes).
5. Unlatch and open door and pour 2 cups of white vinegar into the bottom of dishwasher.
6. Close and latch door and allow cycle to finish.

## Factors affecting performance

### Water Pressure

The hot water line to dishwasher must provide water pressure between 20 and 120 psi.

Low water pressure may occur when laundry or showers are in operation. If you experience poor wash performance you may need to wait until water use is reduced before starting dishwasher.

### Water temperature

Hot water is needed for best dishwashing and drying results. Water entering dishwasher should be at least 120° F (49° C) to give satisfactory results.

To check water temperature entering dishwasher:

- Turn on hot water faucet nearest dishwasher for several minutes to clear cool water from pipes.
- Hold a candy or meat thermometer in the water stream to check the temperature.
- If temperature is below 120° F (49° C), have a qualified person raise the hot water heater thermostat setting.



## NOTE

Before starting a cycle, run hot water to clear cool water from pipes.

## Before calling

Before calling for service, review this list. It may save you both time and expense. This list includes common experiences that are not the result of defective workmanship or material in your dishwasher.

To achieve the best results from your dishwasher, visit [www.dishwashingexpert.com](http://www.dishwashingexpert.com) for general tips regarding the performance and operation of your dishwasher.

PROBLEM	POSSIBLE CAUSES	SOLUTIONS
Dishwasher won't start	<ul style="list-style-type: none"> <li>• Dishwasher door is open.</li> <li>• Power supply or power line is not connected.</li> <li>• Delay option has been selected.</li> <li>• Control Lock activated (select models).</li> </ul>	<ul style="list-style-type: none"> <li>• Shut the door completely make sure it is latched.</li> <li>• Check and connect the power supply.</li> <li>• Refer to the Delay section in this manual to reset.</li> <li>• Deactivate the control lock, refer to Control Lock section in this manual.</li> </ul>
Dishwasher beeps at the end of the cycle	<ul style="list-style-type: none"> <li>• The wash cycle will beep to indicate the end of the cycle.</li> </ul>	
Dishwasher operates too long	<ul style="list-style-type: none"> <li>• The dishwasher is connected to cold water.</li> <li>• The cycle time will vary due to the soil.</li> <li>• The sanitize option is selected.</li> </ul>	<ul style="list-style-type: none"> <li>• Check the dishwasher, make sure it is properly connected to the hot water supply.</li> <li>• When heavy soil is detected, some cycles will automatically increase the cycle time.</li> <li>• When sanitize option is selected, the cycle time will be increase to meet the sanitized temperature request.</li> </ul>
Dishes are not clean enough	<ul style="list-style-type: none"> <li>• Water pressure is temporarily low.</li> <li>• The inlet water temperature is low.</li> <li>• Dishes are loaded too close together.</li> <li>• Improper use of detergent.</li> <li>• The selected cycle is not suitable for food soil condition.</li> <li>• Spray arms is blocked by some items.</li> </ul>	<ul style="list-style-type: none"> <li>• Use you dishwasher when the water pressure is normal.</li> <li>• Make sure the dishwasher is connected to the hot water supply Try not use your dishwasher when hot water is being used elsewhere in the house.</li> <li>• Load the dishes again as per the manual.</li> <li>• Add detergent depending on the water hardness and the cycle you chose. Use fresh detergent.</li> <li>• Choose anther cycle for longer washing time.</li> <li>• Make sure the spray arm is rotated freely.</li> </ul>

# 16 Troubleshooting

PROBLEM	POSSIBLE CAUSES	SOLUTIONS
Dishes not dry enough	<ul style="list-style-type: none"> <li>• Rinse aid dispenser is empty.</li> <li>• Improper loading of dishes.</li> <li>• The cycle you chose did not include the drying.</li> </ul>	<ul style="list-style-type: none"> <li>• Fill rinse aid dispenser or increase the amount of rinse aid.</li> <li>• Load the dishes again as the manual instructs.</li> <li>• Choose the proper cycle with drying.</li> </ul>
Spots and film on dishes	<ul style="list-style-type: none"> <li>• Water hardness is too high.</li> <li>• Improper loading of dishes.</li> <li>• Old rinse aid is used.</li> <li>• Rinse dispenser empty.</li> </ul>	<ul style="list-style-type: none"> <li>• For extremely hard water install a water softener.</li> <li>• Load the dishes again as the manual indicates.</li> <li>• Use fresh rinse aid.</li> <li>• Add rinse aid to the dispenser.</li> </ul>
Etching	<ul style="list-style-type: none"> <li>• Using too much detergent.</li> <li>• The inlet water temperature exceeds 158°F (70°C).</li> </ul>	<ul style="list-style-type: none"> <li>• Use less detergent if you have soft water.</li> <li>• Lower the inlet water temperature.</li> </ul>
Detergent left in dispenser cup	<ul style="list-style-type: none"> <li>• Detergent may be too old.</li> <li>• Spray arm is blocked.</li> </ul>	<ul style="list-style-type: none"> <li>• Use fresh detergent.</li> <li>• Load the dishes, making sure the spray arms are not blocked.</li> </ul>
Detergent dispenser will not shut	<ul style="list-style-type: none"> <li>• Improper operation of the detergent cover.</li> </ul>	<ul style="list-style-type: none"> <li>• Add the detergent and rinse aid as indicated by the manual.</li> </ul>
Water remains in the dishwasher	<ul style="list-style-type: none"> <li>• Previous cycle has not finished or has been interrupted.</li> </ul>	<ul style="list-style-type: none"> <li>• Select the proper cycle explained in the manual.</li> </ul>
Dishwasher does not drain properly	<ul style="list-style-type: none"> <li>• Drain is clogged.</li> <li>• Drain hose is kinked.</li> </ul>	<ul style="list-style-type: none"> <li>• Check the air gap if you have one. Make sure the disposer is empty if dishwasher is connected to disposer.</li> <li>• Make sure the drain hose is properly connected to the sink.</li> </ul>
Suds in the tub	<ul style="list-style-type: none"> <li>• Improper detergent is used.</li> </ul>	<ul style="list-style-type: none"> <li>• Make sure to use only the automatic dishwasher detergent.</li> </ul>
Dishwasher leaks	<ul style="list-style-type: none"> <li>• Excessive suds caused by using the improper detergent.</li> <li>• Dishwasher is not level.</li> </ul>	<ul style="list-style-type: none"> <li>• Make sure to use only the proper dishwasher detergent.</li> <li>• Level the dishwasher.</li> </ul>
Black or gray marks on dishes	<ul style="list-style-type: none"> <li>• Aluminum utensils have rubbed against dishes.</li> </ul>	<ul style="list-style-type: none"> <li>• Rearrange the dishes.</li> </ul>
Stained tub interior	<ul style="list-style-type: none"> <li>• Coffee and tea soil.</li> <li>• Reddish stain.</li> </ul>	<ul style="list-style-type: none"> <li>• Using an approved spot cleaner to remove the soil.</li> <li>• Some tomato-based foods will cause this, use of the rinse only cycle right after loading this will decrease the staining.</li> </ul>



PROBLEM	POSSIBLE CAUSES	SOLUTIONS
Noises	<ul style="list-style-type: none"> <li>• Detergent cup opening\ Drain pump sound.</li> <li>• A hard object has entered the wash module. When the object is ground up, the sound should stop.</li> </ul>	<ul style="list-style-type: none"> <li>• This is normal.</li> <li>• If the noise persists after a complete cycle, call for service.X</li> </ul>
Dishwasher won't fill with water	<ul style="list-style-type: none"> <li>• Water valve is turn off.</li> <li>• Door latch may not be properly seated.</li> </ul>	<ul style="list-style-type: none"> <li>• Check if the water valve is turn on.</li> <li>• Make sure the door is closed.</li> </ul>

## Error codes

Error codes will display on the display window when the following errors occur:

CODE	MEANING	POSSIBLE CAUSES
i1	Longer inlet time	Faucets is not opened, or water intake is restricted, or water pressure is too low.
i4	Unit leaking	Some element of dishwasher leaks.
id	PCB communication error	PCB issue, or wire connected to the board issue.



### CAUTION

- If overflow occurs, turn off the main water supply before calling a service provider.
- If there is water in the base pan because of an overflow or small leak, the water should be removed before restarting the dishwasher.

# 18 Warranty

Your appliance is covered by a one year limited warranty. For one year from your original date of purchase, Electrolux will repair or replace any parts of this appliance that prove to be defective in materials or workmanship when such appliance is installed, used, and maintained in accordance with the provided instructions. The stainless tub and door liner of your appliance are covered by a lifetime limited warranty. During the lifetime of the appliance, Electrolux will provide a replacement stainless tub or door liner that fails to contain water due to a defect in materials or workmanship if the appliance is installed, used, and maintained in accordance with the provided instructions. In addition, the dishwasher racks and the electronic control module of your appliance are covered by a two through five year limited warranty. During the 2nd through 5th years from your original date of purchase, Electrolux will provide a replacement dishwasher rack or electronic control module for your appliance which has proven to be defective in materials or workmanship when such appliance is installed, used, and maintained in accordance with the provided instructions.

## Exclusions:

This Warranty does not cover the following:

1. Products with original serial numbers that have been removed, altered or cannot be readily determined.
2. Product that has been transferred from its original owner to another party or removed outside the USA or Canada.
3. Rust on the interior or exterior of the unit.
4. Products purchased "as-is" are not covered by this warranty.
5. Food loss due to any refrigerator or freezer failures.
6. Products used in commercial setting.
7. Service Calls which do not involve malfunction or defects in materials or workmanship, or for appliances not in ordinary household use or used other than in accordance with the provided instructions.
8. Service Calls to correct the installation of your appliance or to instruct you how to use your appliance.
9. Expenses for making the appliance accessible for servicing, such as removal of trim, cupboards, shelves, etc., which are not part of the appliance when it is shipped from the factory.
10. Service calls to repair or replace appliance light bulbs, air filters, water filters, other consumables, or knobs, handles, or other cosmetic parts.
11. Labor or in-home service costs during the additional limited warranty periods beyond the first year from your original date of purchase.
12. Pickup and delivery costs; your appliance is designed to be repaired in the home.
13. Surcharges including, but not limited to, any after hour, weekend, or holiday service calls, tolls, ferry trip charges, or mileage expense for service calls to remote areas, including the state of Alaska.
14. Damages to the finish of appliance or home incurred during transportation or installation, including but not limited to floors, cabinets, walls, etc.
15. Damages caused by: services performed by unauthorized service companies; use of parts other than genuine Electrolux parts or parts obtained from persons other than authorized service companies; or external causes such as abuse, misuse, inadequate power supply, accidents, fires, or acts of God.

## DISCLAIMER OF IMPLIED WARRANTIES; LIMITATION OF REMEDIES

CUSTOMER'S SOLE AND EXCLUSIVE REMEDY UNDER THIS LIMITED WARRANTY SHALL BE REPAIR OR REPLACEMENT AS PROVIDED HEREIN. CLAIMS BASED ON IMPLIED WARRANTIES, INCLUDING WARRANTIES OF MERCHANTABILITY OR FITNESS FOR A PARTICULAR PURPOSE, ARE LIMITED TO ONE YEAR OR THE SHORTEST PERIOD ALLOWED BY LAW, BUT NOT LESS THAN ONE YEAR. ELECTROLUX SHALL NOT BE LIABLE FOR CONSEQUENTIAL OR INCIDENTAL DAMAGES SUCH AS PROPERTY DAMAGE AND INCIDENTAL EXPENSES RESULTING FROM ANY BREACH OF THIS WRITTEN LIMITED WARRANTY OR ANY IMPLIED WARRANTY. SOME STATES AND PROVINCES DO NOT ALLOW THE EXCLUSION OR LIMITATION OF INCIDENTAL OR CONSEQUENTIAL DAMAGES, OR LIMITATIONS ON THE DURATION OF IMPLIED WARRANTIES, SO THESE LIMITATIONS OR EXCLUSIONS MAY NOT APPLY TO YOU. THIS WRITTEN WARRANTY GIVES YOU SPECIFIC LEGAL RIGHTS. YOU MAY ALSO HAVE OTHER RIGHTS THAT VARY FROM STATE TO STATE.

## If You Need Service

Keep your receipt, delivery slip, or some other appropriate payment record to establish the warranty period should service be required. If service is performed, it is in your best interest to obtain and keep all receipts. Service under this warranty must be obtained by contacting Electrolux at the address or phone numbers below.

This warranty only applies in the USA, Puerto Rico and Canada. In the USA and Puerto Rico, your appliance is warranted by Electrolux Major Appliances North America, a division of Electrolux Home Products, Inc. In Canada, your appliance is warranted by Electrolux Canada Corp. Electrolux authorizes no person to change or add to any obligations under this warranty. Obligations for service and parts under this warranty must be performed by Electrolux or an authorized service company. Product features or specifications as described or illustrated are subject to change without notice.

### USA

1-877-435-3287

Electrolux Home Products, Inc.,  
North America  
10200 David Taylor Drive  
Charlotte, NC 28262



**Electrolux**

### Canada

1-800-265-8352

Electrolux Canada Corp.  
5855 Terry Fox Way  
Mississauga, Ontario, Canada  
L5V 3E4



[electrolux.com/shop](http://electrolux.com/shop)

