

Electrolux



Induction Range

36" Induction Freestanding Range

ECFI3668AS

Available Colors : Stainless Steel

Version : 09/21

Cooktop

Bridge Element Location	Right and Left
Cooking Surface Type	Smooth
Hot-Surface Indicator Light	Yes

Cooktop Performance

Right Front Element Burner Size	7 1/10"
Right Rear Element Burner Size	7 1/10"
Left Front Element Burner Size	7 1/10"
Left Rear Element Burner Size	7 1/10"
Center Front Element Burner Size	10 1/4"
Right Front Element Burner	1,850 / 3,000 Watts (Boost)
Right Rear Element Burner	1,850 / 3,000 Watts (Boost)
Left Front Element Burner	1,850 / 3,000 Watts (Boost)
Left Rear Element Burner	1,850 / 3,000 Watts (Boost)
Center Element Burner	2,600 / 3,700 Watts (Boost)

Cooking Controls

Bake	Yes
Bread Proof	Yes
Broil	Yes
Child Lock	Yes
Convection Bake	Yes
Convection Roast	Yes
Cook Time	Yes
Delay Start	Yes
Keep Warm	Yes
Kitchen Timer	Yes
Probe	Yes
Steam Clean	Yes
Temperature Display	Yes

Oven

Bake Element	3,300 Watts
Bake Element Type	Hidden
Broil Element	3,300 Watts

Convection Element	3,380 Watts
Convection Type	True Dual
Number of Convection Fans	2
Number of Rack Positions	5
Oven Interior Color	Gray
Oven Light Quantity	2
Oven Light Type	Halogen
Oven Light Watts	40 Watts
Rack Position Type	Ladder
Rack Type 1	Flat
Rack Type 1 Quantity	2
Rack Type 2	Glide
Rack Type 2 Quantity	1
Window Type	Extra Large Window

Controls

Sabbath Mode	Yes
--------------	-----

Display

Control Location	Front
Display Interface Color	White
Display Type	LED

Dimensions and Volume

Minimum Height	35.563"
Maximum Height	36.563"
Width	35.938"
Depth	24.813"
Depth With Door 90° Open	43.938"
Oven Interior Height	14 1/2"
Oven Interior Width	28 1/4"
Oven Interior Depth	16 1/2"
Oven Capacity	4.4 Cu. Ft.

Electrical Specifications

Amps @ 240 Volts	50 Amps
------------------	---------

High standards of quality at Electrolux Home Products, Inc. mean we are constantly working to improve our products. We reserve the right to change specifications or discontinue models without notice.

Electrolux Major Appliances, N.A.

USA • 10200 David Taylor Drive • Charlotte, NC 28262 • Charlotte, NC 28262 • 1-877-4electrolux (1-877-435-3287) • electroluxappliances.com

CANADA • 5855 Terry Fox Way • Mississauga, ON L5V 3E4 • 1-800-265-8352 • electroluxappliances.ca

36" Induction Freestanding Range

ECFI3668AS

Version : 09/21

Connected Load @ 240V	15.1 kW
Voltage Rating	240 V

Installation

Adjustable Leveling Legs	Yes
Included Power Cord Type	4-Prong Plug
Power Cord Included	Yes

General Specifications

Prop 65 Label	Yes
Warranty - Labor	1 Year
Warranty - Parts	1 Year

Safety Certifications and Approvals

UL Listed	Yes
cUL Listed	Yes
RoHS	Yes

High standards of quality at Electrolux Home Products, Inc. mean we are constantly working to improve our products. We reserve the right to change specifications or discontinue models without notice.

Electrolux Major Appliances, N.A.

USA • 10200 David Taylor Drive • Charlotte, NC 28262 • Charlotte, NC 28262 • 1-877-4electrolux (1-877-435-3287) • electroluxappliances.com

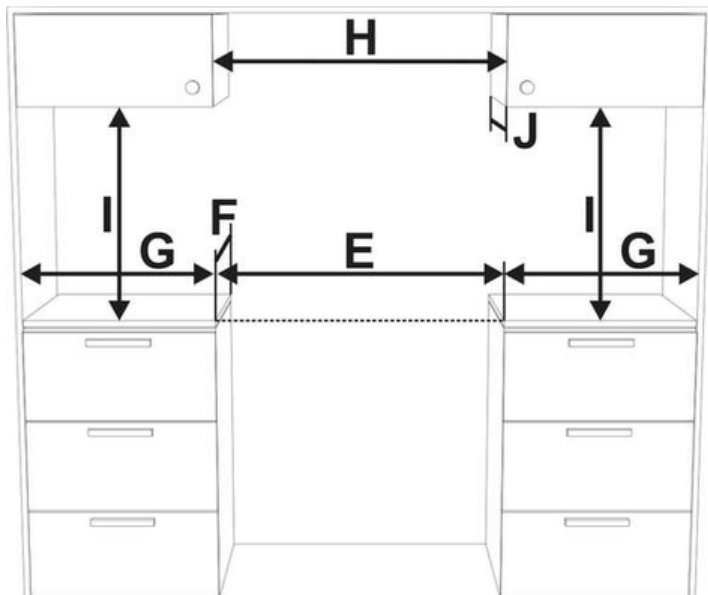
CANADA • 5855 Terry Fox Way • Mississauga, ON L5V 3E4 • 1-800-265-8352 • electroluxappliances.ca

Electrolux

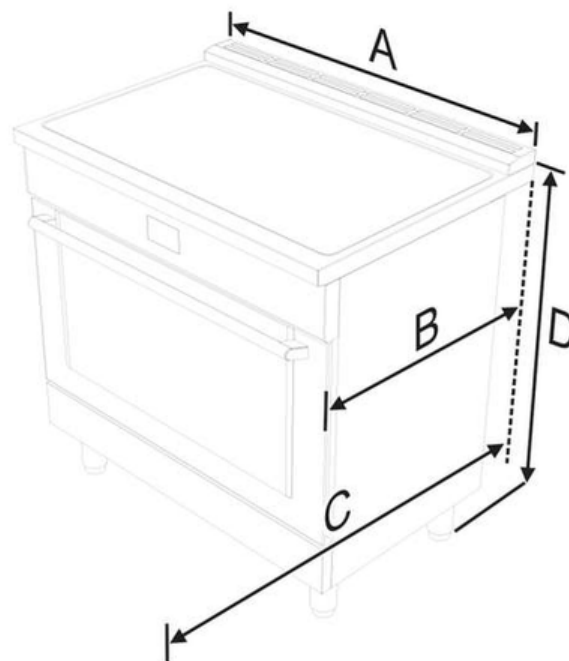
36" Induction Freestanding Range

ECFI3668AS

Version : 09/21



E	914 mm	36"
F	603 mm	23" 3/4
G	178 mm	7"
H	min. 914 mm	min. 36"
I	min. 457 mm	min. 18"
K	max. 330 mm	max. 13"



A	912.4 mm	35 15/16"
B	min: 627 mm max: 631 mm	min: 24 11/16" max: 24 13/16"
C	1116 mm	43 15/16"
D	min: 903 mm max: 929 mm	min: 35 9/16" max: 36 9/16"

High standards of quality at Electrolux Home Products, Inc. mean we are constantly working to improve our products. We reserve the right to change specifications or discontinue models without notice.

Electrolux Major Appliances, N.A.

USA • 10200 David Taylor Drive • Charlotte, NC 28262 • Charlotte, NC 28262 • 1-877-4electrolux (1-877-435-3287) • electroluxappliances.com

CANADA • 5855 Terry Fox Way • Mississauga, ON L5V 3E4 • 1-800-265-8352 • electroluxappliances.ca