

Electrolux



Dual Fuel Range

30" Dual-Fuel Freestanding Range

ECFD3068AS

Available Colors : Stainless Steel

Version : 09/21

Cooktop

Cooking Surface Type	Gas
Grate Material	Cast Iron
Grate Quantity	3
Grate Style	Continuous
Sealed Burners	Yes

Cooktop Performance

Right Front Element Burner	18,000 / 750 BTU Dual
Left Front Element Burner	18,000 / 750 BTU Dual
Right Rear Element Burner	12,000 BTU
Left Rear Element Burner	12,000 BTU
Center Element Burner	10,000 BTU

Cooking Controls

Bake	Yes
Bread Proof	Yes
Broil	Yes
Child Lock	Yes
Convection Bake	Yes
Convection Roast	Yes
Cook Time	Yes
Delay Start	Yes
Keep Warm	Yes
Kitchen Timer	Yes
Probe	Yes
Steam Clean	Yes
Temperature Display	Yes

Oven

Bake Element	3,300 Watts
Bake Element Type	Hidden
Broil Element	3,300 Watts
Convection Element	2,950 Watts
Convection Type	True
Number of Convection Fans	1

Number of Rack Positions	6
Oven Interior Color	Gray
Oven Light Quantity	2
Oven Light Type	Halogen
Oven Light Watts	40 Watts
Rack Position Type	Ladder
Rack Type 1	Flat
Rack Type 1 Quantity	2
Rack Type 2	Glide
Rack Type 2 Quantity	1
Window Type	Extra Large Window

Controls

Sabbath Mode	Yes
--------------	-----

Display

Control Location	Front
Display Type	LED

Dimensions and Volume

Minimum Height	35 3/8"
Maximum Height	36 5/8"
Width	29.938"
Depth	25 7/8"
Depth With Door 90° Open	46.688"
Oven Interior Height	17 24/100"
Oven Interior Width	24 1/4"
Oven Interior Depth	16"
Oven Capacity	4.6 Cu. Ft.

Electrical Specifications

Minimum Circuit Required	30 Amps
Voltage Rating	240 V

Installation

Adjustable Leveling Legs	Yes
--------------------------	-----

High standards of quality at Electrolux Home Products, Inc. mean we are constantly working to improve our products. We reserve the right to change specifications or discontinue models without notice.

Electrolux Major Appliances, N.A.

USA • 10200 David Taylor Drive • Charlotte, NC 28262 • Charlotte, NC 28262 • 1-877-4electrolux (1-877-435-3287) • electroluxappliances.com

CANADA • 5855 Terry Fox Way • Mississauga, ON L5V 3E4 • 1-800-265-8352 • electroluxappliances.ca

30" Dual-Fuel Freestanding Range

ECFD3068AS

Version : 09/21

LP Conversion Kit Included	Yes
Power Cord Included	Yes
Included Power Cord Type	4-Prong Plug

General Specifications

Prop 65 Label	Yes
Warranty - Labor	1 Year
Warranty - Parts	1 Year

Safety Certifications and Approvals

CSA Listed	Yes
RoHS	Yes

High standards of quality at Electrolux Home Products, Inc. mean we are constantly working to improve our products. We reserve the right to change specifications or discontinue models without notice.

Electrolux Major Appliances, N.A.

USA • 10200 David Taylor Drive • Charlotte, NC 28262 • Charlotte, NC 28262 • 1-877-4electrolux (1-877-435-3287) • electroluxappliances.com

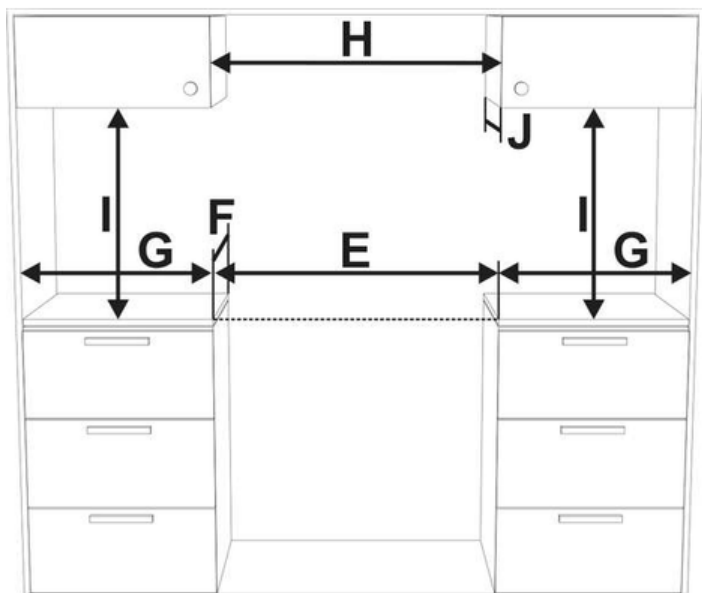
CANADA • 5855 Terry Fox Way • Mississauga, ON L5V 3E4 • 1-800-265-8352 • electroluxappliances.ca

Electrolux

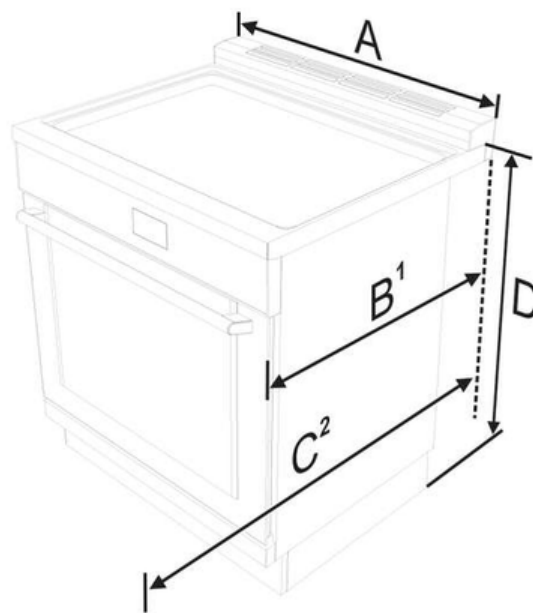
30" Dual-Fuel Freestanding Range

ECFD3068AS

Version : 09/21



E	min. 762 mm	min. 30"
F	628 mm	24" 5/8
G	min. 508 mm	min. 20"
H	min. 762 mm	min. 30"
I	min. 457 mm	min. 18"
J	max. 330 mm	max. 13"



A	760 mm	29" 15/16"
B¹	min: 654 mm max: 658 mm	min: 25 3/4" max: 25 14/16"
C²	1186 mm	46 11/16"
D	min: 898 mm max: 930 mm	min: 35 6/16" max: 36 5/8"

High standards of quality at Electrolux Home Products, Inc. mean we are constantly working to improve our products. We reserve the right to change specifications or discontinue models without notice.

Electrolux Major Appliances, N.A.

USA • 10200 David Taylor Drive • Charlotte, NC 28262 • Charlotte, NC 28262 • 1-877-4electrolux (1-877-435-3287) • electroluxappliances.com

CANADA • 5855 Terry Fox Way • Mississauga, ON L5V 3E4 • 1-800-265-8352 • electroluxappliances.ca