
TRD40615TC

OIL FILLED RADIATOR

Instructions for use. Keep these instructions

Visit www.delonghiregistration.com to register your product

Visit www.delonghi.com for a list of service centers near you.

ELECTRIC CHARACTERISTICS

120 V~ 60 Hz 1500 W

RADIADOR ELÉCTRICO DE ACEITE

Repase y guarde estas instrucciones.

Lea cuidadosamente este instructivo antes de usar su aparato.

Visite www.delonghiregistration.com para registrar su producto
en línea.

Visite www.delonghi.com para ver la lista de centros de servicios
cercanos a usted.

CARACTERISTICAS ELECTRICAS:

120 V~ 60 Hz 1500 W

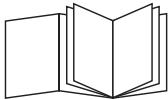


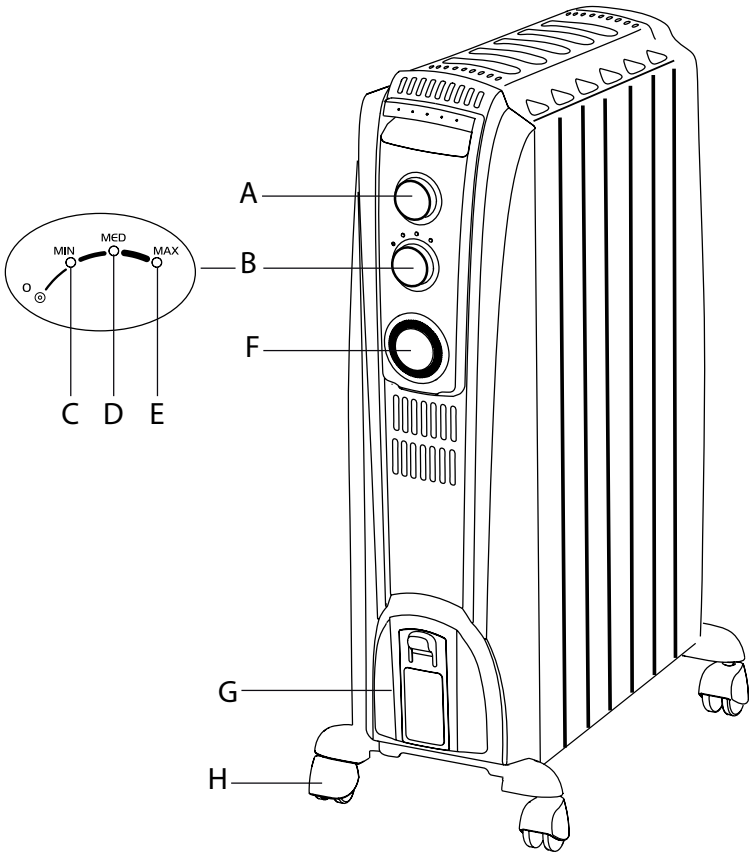
EN

page 4

ES

page 9





INTRODUCTION

Thank you for choosing a De'Longhi product.
Please take a few minutes to read these instructions.
This will avoid all risks and damage to the appliance.

Symbols used in these instructions

Important warnings are identified by the symbols below.
It is important to respect the warnings.
Failure to respect the warnings could lead to electric shock,
serious injury, burns, fire or damage to the appliance.



Danger!

Failure to observe the warning may result in life threatening injury by electric shock.



Important!

Failure to observe the warning could result in injury or damage to the appliance.



Danger of burns!!

Failure to observe the warning could result in burns or scalds.



Please note:

This symbol indicates recommendations and important information for the user.

IMPORTANT SAFEGUARDS

When using any electrical appliance, some basic safety precautions should always be observed to reduce the risk of fire, electric shock, and/or injury to persons. Read all instructions carefully before using the appliance. Specifically:



Danger!

- Use this appliance only as described in this manual. Any other use not indicated by the manufacturer may cause fire, electric shock, or injury to persons.
- To prevent current overload and blown fuses, make sure that no other appliance is plugged into the same outlet or into another outlet wired into the same circuit.
- CAUTION: To prevent electric shock, make sure the wide prong of the plug is inserted in the wide slot of the outlet.

- This heater is not intended for use in bathrooms, laundry areas, or similar indoor locations.
Never position the appliance where it may fall into a bathtub or come in contact with water.
- Do not insert or allow foreign objects to get into the air intake or air outlet grille, as this may cause electric shock or fire, or damage the appliance.



Important!

- The appliance is not intended for use by persons (including children) with reduced physical, sensory or mental capabilities, or lack of experience and knowledge, unless they have been given supervision or instruction concerning use of the appliance by a person responsible for their safety. Children should be supervised to ensure that they do not play with the appliance.
- Do not operate the appliance with a damaged cord or plug, after faulty operation, or when it has been dropped or damaged in any way. Contact the nearest authorized service facility for examination, electrical or mechanical adjustment, or repair.
- Do not use the appliance outdoors.
- If the power cord is damaged, to reduce the risk of malfunction it must be replaced by the manufacturer, its service agent, or a licensed and qualified professional.
- Make sure that the plug is fully inserted into the outlet.
Wall outlets may deteriorate with time, so check the plug periodically for signs of overheating or deformation. If the outlet has deteriorated, stop using it and have it repaired.
- Check that neither the appliance nor the power cord have been damaged during shipping.
- Do not place the heater near a bed because objects such as pillows or blankets can fall off the bed and be ignited by the heater.



Danger of burns!!

- This appliance gets very hot when in use. To prevent burns, do not touch hot surfaces with bare skin. Use the handle when moving the appliance. Keep all flammable materials, such as furniture, pillows, bedding, paper, clothing, and curtains at least 3 feet (90 cm) from the front and top of the appliance, also avoid contact with the sides and back.
- Do not run the power cord under carpeting. Do not cover cord with throw rugs, runners, or the like.
Keep the cord away from any passageways where it could be tripped over.
- To prevent a possible fire, do not block air intake or air outlet grille in any way. Do not use the appliance on soft surfaces, such as beds, where the openings may become blocked.
- To prevent overheating and the risk of fire, do not cover the appliance while it is in operation.
- The internal parts of the appliance can become very hot or produce sparks during operation. Do not use the appliance in areas where gasoline, paints, or other flammable liquids are used or stored.
- It is normal for heater's plug and cord to feel warm to the touch. However, an excessively hot or deformed plug or cord is not normal and may be the result of a defective electrical outlet.
Defective outlets must be replaced before using the heater. Plugging the heater into a worn outlet may result in overheating of the power cord or may cause the risk of fire.



Please note:

- Always disconnect the plug from the power outlet when the appliance is not in use.
- Do not wrap the cord around the appliance immediately after use.
- Do not use this appliance with an extension cord or power strip. Connect the appliance directly to a suitable outlet.

- Make sure that no styrofoam or other packing materials remain in the appliance.
- The first time the appliance is used, run it at the maximum power for at least two hours. During this time, ventilate the room thoroughly to eliminate the "new" smell released by the appliance. It is completely normal for the appliance to emit "creaking" sounds the first time it is run.
- Extreme caution is necessary whenever the heater is left operating unattended.
- Do not open the appliance. No user-serviceable parts inside.

SAVE THESE INSTRUCTIONS

THIS PRODUCT IS FOR HOUSEHOLD USE ONLY

DESCRIPTION

- A** Thermostat
- B** Power setting knob
- C/D/E** Power indicator lights (MIN, MED, MAX)
- F** Timer
- G** Cord holder
- H** Wheel

USE

Fitting the wheels

Turn the radiator upside down on a rug or soft surface to prevent damaging the paint finish. Fully unfold the wheels by turning them outwards (Fig. 1). Turn the radiator back to its upright position.

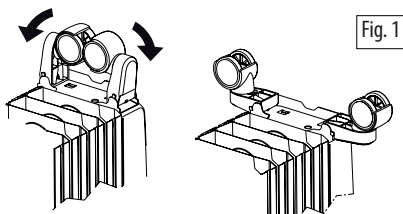


Fig. 1

Caution

Always operate the heater in upright position only (wheels on the bottom, controls on top). Any other position could create a hazardous situation.

Location

The heater must not be placed immediately below a power outlet. Do not use this radiator in rooms having a surface area of less than 43 square feet (4 sq.m.).

Connection

The radiator should be connected to a properly polarized A/C 110/120 V household outlet in perfect working condition. Keep loose clothing or bedding, furniture and flammable material away from the heater's wall outlet.

Your product is equipped with a polarized alternating current line plug (a plug having one prong wider than the others). This plug will fit into the power outlet only one way. This is a safety feature. If you are unable to insert the plug fully into the outlet, try reversing the plug. If the plug should still fail to fit, contact your electrician to replace your obsolete outlet. Do not attempt to modify the plug to bypass this safety feature.

Turning on

Insert the plug into an electrical outlet, rotate the thermostat knob to maximum and turn the unit on as follows using the power selector:

- Turn the power selector to position MIN to select minimum output (the min light will be on).
- Turn the power selector to position MED to select medium output (the min/med light will be on).
- Turn the power selector to position MAX to select maximum output (the lights will be on).

Adjusting the thermostat

When the room has reached the desired temperature, turn the thermostat dial slowly in an anti-clockwise direction until you hear a "click" and not beyond it. The thermostat will then adjust the set temperature automatically and keep it constant.

If your unit is a three-output version, in intermediate seasons or on days when temperatures are not particularly cold, select minimum output to optimize savings and consumption.

Antifreeze function

Turn the thermostat dial to the ❄️ position and the power selector to position MAX. The appliance will maintain a minimum room temperature of approximately 41°F (5°C), thus preventing freezing while conserving energy. In models that come with a timer, tabs must be set in the inward position.

Reminder

To completely shut the appliance off, turn the power selector to the "0" position and then unplug the appliance from the outlet.

UNITS WITH TIMER

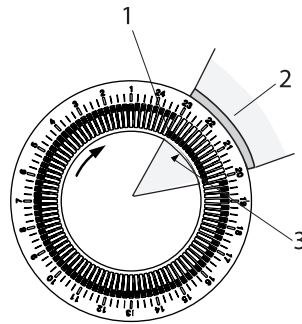
Clock setting

The program/timer, as with all clocks, must be set to the correct time. If for example the time is 9:30 a.m. (day zone), rotate the dial clockwise (following the direction of the arrow) until 9:30 is aligned with the triangular pointer.

IMPORTANT: DO NOT ROTATE CLOCK DIAL COUNTER-CLOCKWISE.

The timer is like an electric clock, and will only work when plugged into a power supply. When unplugged, the timer stops and must be later re-set.

How to use the timer



To program heating, proceed as follows:

- Look at the time on your clock or watch. If it is 10 p.m., turn the numbered timer disk clockwise until the number 22 (10 p.m.) on the disk coincides with the pointer ▲ (3) on the timer. Set the periods of time when you want the appliance to work by pushing the teeth (1) inward. Each tooth (1) corresponds to a period of 15 minutes. This will leave visible sectors which correspond to the periods of operation (2). When set, the radiator will operate automatically each day during the times programmed (important: the radiator must always be plugged into the socket).
- To change the programming, move the teeth back into the initial position and set the new periods of operation.
- If you want to make the appliance operate without programming, push all the teeth inward. In this case,

to turn the appliance off completely, as well as turning the knob to the off position, you must also unplug it from the power outlet to avoid continued operation of the timer.

SAFETY DEVICE

A safety device switches the heater off in the event of overheating. Please call the De Longhi customer service.

MAINTENANCE AND SERVICE

Always remove the plug from the power outlet and allow the radiator to cool. Wipe radiator with a soft damp cloth, do not use detergents and abrasives.

Should the radiator not be in use over a certain length of time, wind the cord around the cord holder and store it in a dry place. This appliance has been built to give many years of trouble free service. In case of malfunction or doubt, do not try to repair the heater by yourself: this may result in a fire hazard or electric shock. Call the De'Longhi Customer Service.

TECHNICAL CHARACTERISTICS

Power supply	See rating plate
Absorbed power	"

TROUBLESHOOTING

PROBLEM	CAUSE	SOLUTION
The appliance doesn't work	<ul style="list-style-type: none">- Be sure it is plugged in and that the electrical outlet is working.- Check for any obstruction.- The temperature may be set too low.	<ul style="list-style-type: none">- Plug into the power outlet.- Remove the obstruction and let the appliance cool down. If the appliance doesn't work please contact the De'Longhi Customer Service.- Set the temperature to a higher position.

LIMITED WARRANTY

This warranty applies to all products with De'Longhi or Kenwood brand names.

What does the warranty cover?

We warrant each appliance to be free from defects in material and workmanship. Our obligation under this warranty is limited to repair at our factory or authorized service center of any defective parts or part thereof, other than parts damaged in transit. In the event of a products replacement or return, the unit must be returned transportation prepaid. The repaired or replacement model will be returned at the company expense.

This warranty shall apply only if the appliance is used in accordance with the factory directions, which accompany it, and on an Alternating current (AC) circuit.

How long does the coverage last?

This warranty runs for one year (1) from the purchase date found on your receipt and applies only to the original purchaser for use.

What is not covered by the warranty?

The warranty does not cover defects or damage of the appliance, which result from repairs or alterations to the appliance outside our factory or authorized service centers, nor shall it apply to any appliance, which has been subject to abuse, misuse, negligence or accidents. Also, consequential and incidental damage resulting from the use of this product or arising out of any breach of contract or breach of this warranty are not recoverable under this warranty. Some states do not allow the exclusion or limitation of incidental or consequential damage, so the above limitation may not apply to you.

How do you get service?

If repairs become necessary, see contact information below:

U.S. Residents: Please contact our toll free hotline at 1-800-322-3848 or log onto our website at www.delonghi.com

Residents of Canada: Please contact our toll free hotline at 1-888-335-6644 or log onto our website at www.delonghi.com

Residents of Mexico: Please contact our toll free number 01-800-711-8805 for assistance or log onto our website at www.delonghi.com

The above warranty is in lieu of all other express warranties and representations. All implied warranties are limited to the applicable warranty period set forth above. This limitation does not apply if you enter into an extended warranty with De'Longhi. Some states/countries do not allow limitations on how long an implied warranty lasts, so the above exclusions may not apply to you. De'Longhi does not authorize any other person or company to assume for it any liability in connection with the sale or use of its appliance.

How does country law apply?

This warranty gives you specific legal rights, and you may also have other rights, which vary from state to state/country to country.