

**Register Now**   
[www.delonghi.com/register](http://www.delonghi.com/register)

[www.delonghi.com](http://www.delonghi.com)

---

# HFX30 Series

## INSTANT CERAMIC HEATER

Instructions for use. Keep these instructions

Visit [www.delonghi.com](http://www.delonghi.com) for a list of service centers

near you.

### ELECTRIC CHARACTERISTICS

120 V~ 60 Hz 1500 W

## CALENTADOR DE CERAMICO INSTANTANEO

Repase y guarde estas instrucciones.

Lea cuidadosamente este instructivo antes de usar

su aparato.

Visite [www.delonghi.com](http://www.delonghi.com) para ver la lista de centros

de servicios cercanos a usted.

### CARACTERISTICAS ELECTRICAS:

120 V~ 60 Hz 1500 W



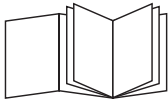
---

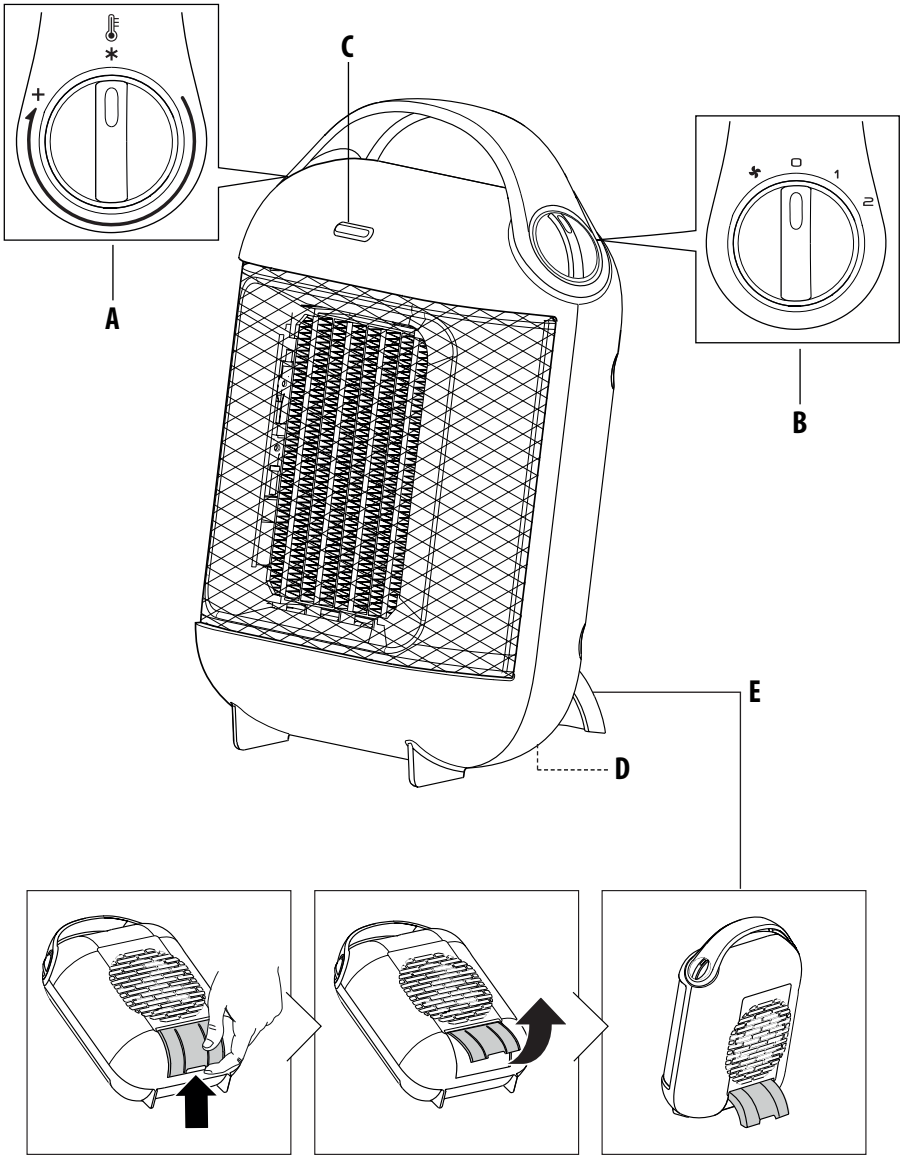
**EN**

page 4

**ES**

page 7





# IMPORTANT SAFEGUARDS

Read all instructions carefully before using the appliance. Specifically:



Failure to observe the warning may result in life threatening injury by electric shock.

- **Do not operate any heater with a damaged cord or plug or after the heater malfunctions, has been dropped or damaged in any manner. Return heater to authorized service facility for examination, electrical or mechanical adjustment, or repair.**
- This heater is not intended for use in bathrooms, laundry areas and similar indoor locations. Never locate heater where it may fall into a bath tub or other water container.
- Do not use this heater in the immediate surroundings of a bath, a shower or a swimming pool.
- Do not insert or allow foreign objects to enter any ventilation or exhaust opening as this may cause an electric shock, fire, or damage the heater.
- **CAUTION: to prevent electric shock match wide blade of plug to wide slot, then fully insert.**
- CAUTION: In order to avoid a hazard due to inadvertent resetting of thermal cutout, this appliance must not be supplied through an external switching device, such as a timer, or connected to a circuit that is regularly switched on and off by the utility.



Failure to observe the warning could result in injury or damage to the appliance.

- The appliance is not intended for use by persons (including children) with reduced physical, sensory or mental capabilities, or lack of experience and knowledge, unless they have been given supervision or instruc-

tion concerning use of the appliance by a person responsible for their safety. Children should be supervised to ensure that they do not play with the appliance.

- Extreme caution is necessary when any heater is used by or near children and whenever the heater is left operating and unattended.
- Always unplug heater when not in use.
- Use this heater only as described in this manual. Any other use not recommended by the manufacturer may cause fire, electric shock, or injury to persons.
- The heater must not be located immediately below a socket-outlet.
- To prevent overload and blown fuses, be sure that no other appliance is plugged into the same outlet (receptacle) or into another outlet (receptacle) wired into the same circuit.
- Be sure that the plug is fully inserted into an appropriate outlet. Please remember that outlets also deteriorate due to aging and continuous use: check periodically if signs of overheating or deformations are evidenced by the plug. Do not use the outlet and CALL your electrician.



Failure to observe the warning could result in burns or scalds.

- This heater is hot when in use. To avoid burns, do not let bare skin touch hot surfaces. Use handle when moving this heater. Keep combustible materials, such as furniture, pillows, bedding, papers, clothes, and curtains at least 3 feet (0,9 m) from the front and top of the heater and keep them away from the sides and rear.
- Do not run cord under carpeting. Do not cover cord with throw rugs, runners, or the like. Arrange cord away from traffic area and where it will not be tripped over.
- To prevent a possible fire, do not block air intakes or exhaust in any manner. Do not use on soft surfaces, like a bed, where openings may

become blocked.

- A heater has hot or arcing or sparking parts inside. Do not use it in areas where gasoline, paint, or flammable liquids are used or stored.
- It is normal for the heater's plug and cord to feel warm to the touch. A plug or cord which becomes hot to the touch or becomes distorted in shape may be a result of a worn electrical outlet. Worn outlets or receptacles should be replaced prior to further use of the heater. Plugging heater into a worn outlet / receptacle/ may result in overheating of the power cord or fire.
- If the supply cord is damaged, it must be replaced by the manufacturer, its service agent or similarly qualified person in order to avoid a hazard.
- **WARNING:** Do not cover the appliance while it is functioning in order to avoid overheating which may cause risk of fire.



**Please note:**

This symbol indicates recommendations and important information for the user.

- If your appliance is equipped with a polythene tape used as carry handle, remove it before connecting appliance to the outlet.
- Do not use outdoors.
- To disconnect heater, turn controls to off, then remove plug from outlet.
- Connect to properly polarized outlets only.
- This heater is not intended for use with an extension cord or outlet strip. Plug the cord directly into an appropriate wall receptacle.
- Check that neither the appliance nor the power cable have been damaged in any way during transportation.
- Do not use the appliance in rooms with a floor area of less than 43 square feet (4mq).
- Make sure that no pieces of polystyrene or other packaging material have been left on the appliance. It may be necessary to pass over the appliance with a vacuum cleaner.
- When switching on the appliance for the first time, allow it to run at full power for at least

two hours to get rid of the unpleasant smell. Make sure that the room in which the appliance is located is well ventilated during this operation. It is normal for the appliance to emit small cracking sounds when you turn it on.

## SAVE THESE INSTRUCTIONS

### For Household use only

#### DESCRIPTION

---

- A** Thermostat
- B** Function selector
- C** Indicator light
- D** Tip over switch (certain models only)
- E** Foldable support

#### USE

---

##### Installation

The appliance can be used on any horizontal surface.

Do not overload the electrical circuit. Avoid using the same socket for other appliances.

##### Electrical connection

- Before plugging into the outlet, make sure the voltage of your power supply corresponds to the value V indicated on the appliance and that the socket and power line are appropriate for the load required.
- THIS APPLIANCE COMPLIES WITH DIRECTIVE 2004/108/EC ON ELECTROMAGNETIC COMPATIBILITY.


##### Functioning and use



**Please note:** pull out the support outwards by placing fingers in the slot (see figure on page 3). If the support isn't pulled out, the product will not stand up and fall down.

Always operate the heater in upright position only.

Any other position could create a hazardous situation.

1. Plug the appliance into the outlet.
2. Turn the thermostat dial to maximum.
3. Summer mode (fan only): turn the function selector to the  position.
4. Low power operation: turn the function selector to position **1** (in models with two fan speeds, the fan operates at minimum).

5. High power operation: turn the function selector to position **2** (the fan operates at maximum).
6. Switching off: turn the function selector to the "0" position.

### Setting the thermostat

Position the thermostat on maximum. When the room has reached the required temperature, turn the thermostat dial slowly counterclockwise until you hear a click and the fan goes off. The thermostat will then keep room temperature at the selected level automatically.

### Frost prevention mode

With the function selector in position **2** and the thermostat dial in position **\***, the appliance maintains room temperature at about 41°F (5°C), preventing freezing with minimal energy consumption.


### MAINTENANCE

- Always unplug from the outlet before cleaning.
- Clean the air intake and outlet grilles regularly.
- Do not use abrasive products or solvents to clean the appliance.

### SAFETY FUNCTIONS

- **Safety device:** the appliance is fitted with a safety device that switches it off in the event of accidental overheating (e.g. obstruction of air intake and outlet grilles, motor turning slowly or not at all).  
To reset, unplug the appliance from the outlet for a few minutes, remove the cause of overheating, then plug in again. If the appliance doesn't work please contact the De'Longhi Customer Service.
- **Tip-over safety device:** certain models are fitted with a tip-over switch (D) which turns the appliance off if it falls over. To restart the appliance, simply place it upright again.

### TROUBLESHOOTING

PROBLEM	CAUSE	SOLUTION
The appliance doesn't work	Be sure it is plugged in and that the electrical outlet is working.	Plug into the outlet.
	Check for any obstruction.	Remove the obstruction, unplug the heater and let the appliance cool down. If the appliance doesn't work please contact the De longhi toll free number.
	The function selector is in the "0" position.	Turn the function selector to the position  or "1" or "2".
	The thermostat may be set too low.	Turn the thermostat clockwise to a higher setting until the heater restarts.
	The tip-over switch has been activated (certain models only).	Make sure the appliance is standing upright on a flat surface, if the problem persists contact our toll free number to assist you.