



OWNER'S MANUAL  
MANUEL DU PROPRIÉTAIRE  
MANUAL DEL PROPIETARIO



<b>DISHWASHER</b> Owner's Manual.....	<b>1 - 12</b>
<b>LAVE-VAISSELLE</b> Manuel du propriétaire.....	<b>13 - 24</b>
<b>LAVAPLATOS</b> Manual del propietario.....	<b>25 - 36</b>

<b>MODEL • MODÈLE • MODELO</b>
<b>DDW18D1EW</b>
<b>DDW18D1EB</b>
<b>DDW18D1ESS</b>

# Welcome to the Danby family.

We are proud of our quality products and we believe in dependable service. We suggest that you read this owner's manual before plugging in your new appliance as it contains important operation information, safety information, troubleshooting, and maintenance tips to ensure the reliability and longevity of your appliance.

You are entitled to the warranty coverage as described in the owner's manual provided with your new appliance.

1. Please write down your appliance information below. **You must keep the original proof of purchase receipt to validate and receive warranty services.**
2. Register your product online and receive a **FREE 2 MONTH WARRANTY EXTENSION** after filling out a product survey, at [www.danby.com/support/product-registration/](http://www.danby.com/support/product-registration/)

**Model Number:** \_\_\_\_\_

**Serial Number:** \_\_\_\_\_

**Date of Purchase:** \_\_\_\_\_

## Need Help?

1. Read your Owner's Manual for installation help, troubleshooting, and maintenance assistance.
2. Visit [www.Danby.com](http://www.Danby.com) to access self-service tools, FAQs and much more by searching your model number in the search bar.
3. For the **Quickest Customer Service**, please fill out the web form at [www.danby.com/support](http://www.danby.com/support). Your submission will go directly to an expert on your particular appliance. Our average response times are between 20 minutes and 2 hours, during EST business hours.
4. Call **1-800-263-2629** - please note that during peak hours, hold times can exceed one hour.



## Important Safety Information

### READ AND FOLLOW ALL SAFETY INSTRUCTIONS

#### GROUNDING INSTRUCTIONS

This appliance must be grounded. In the event of an electrical short circuit, grounding reduces the risk of electrical shock by providing an escape wire for the electrical current.

This appliance is equipped with a cord that has a grounding wire and grounding plug. The power cord must be plugged into an outlet that is properly grounded. If the outlet is a 2-prong wall outlet, it is your responsibility to have it replaced with a properly grounded 3-prong wall outlet. The serial rating plate indicates the voltage and frequency the appliance is designed for.

**WARNING** - Improper use of the grounding plug can result in a risk of electric shock. Consult a qualified electrician or service agent if the grounding instructions are not completely understood, or if doubt exists as to whether the appliance is properly grounded.

#### DO NOT USE AN EXTENSION CORD

Do not connect your appliance to extension cords or together with another appliance in the same wall outlet. Do not splice the power cord. Do not under any circumstances cut or remove the third ground prong from the power cord.

If the power supply cord is damaged, it must be replaced by the manufacturer, its service agent or similar qualified person in order to avoid hazard.

Ensure that component parts are replaced with like components and that servicing is done by factory authorized service personnel to minimize the risk of possible ignition due to incorrect parts or improper service.

This appliance is not intended for use by persons (including children) whose physical, sensory or mental capabilities may be different or reduced, or who lack experience or knowledge, unless such persons receive supervision or training to operate the appliance by a person responsible for their safety.

#### SAFETY REQUIREMENTS

- Children should be supervised to ensure that they do not play with the appliance.
- Do not stand, sit or lean on the door or dish rack. Do not place heavy items on the door when it is open.
- Do not touch the heating element during or immediately after use.
- Do not operate the appliance unless all enclosure panels are properly installed.
- Do not tamper with the controls.
- Open door carefully during operation, water may leak. Proceed with caution as water may be hot.
- Do not wash plastic items unless they are marked dishwasher safe.
- Use only detergent and rinse additives that are designed for an automatic dishwasher.
- Never use soap, laundry detergent or hand washing detergent in the dishwasher.
- Keep detergent and rinse aid out of the reach of children.
- Check that the detergent dispenser is empty after completion of the wash cycle.
- Dishwasher detergents are strongly alkaline and can be extremely dangerous if swallowed. Avoid contact with the skin and eyes.
- Remove the door of the appliance when removing from service or discarding.
- Use the dishwasher only for its intended purpose.

#### **WARNING** - Hydrogen gas is explosive!

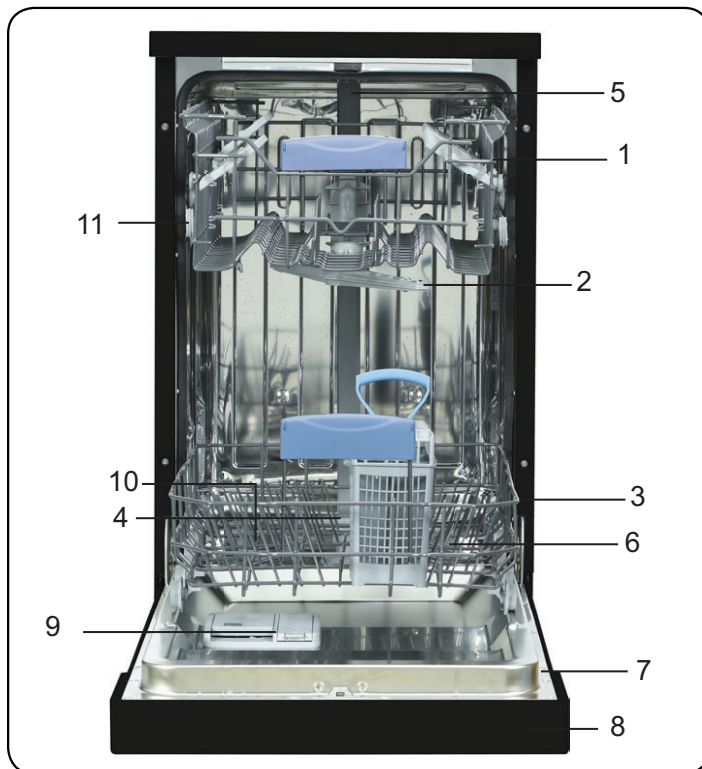
Hydrogen gas may be produced in a hot water system that has not been used for a long period of time. If the hot water system has not been used in two weeks or more, turn on all hot water faucets and let the water flow for several minutes before using the dishwasher. This will release any accumulated hydrogen gas. Do not smoke or use an open flame during this time.

**SAVE THESE INSTRUCTIONS!**

# OPERATING INSTRUCTIONS

## FEATURES

1. Upper basket with racks
2. Upper spray arm
3. Lower basket
4. Lower spray arm
5. Top nozzle (model depending)
6. Filters
7. Rating plate
8. Control panel
9. Detergent and rinse aid dispenser
10. Salt dispenser (model depending)
11. Upper basket track latch
12. Drying unit



## LOADING THE DISHWASHER

- This appliance holds 10 full place settings.
- Scrape all dishes to remove any large food residue before placing in the dishwasher.
- Only place dishes in this dishwasher that are marked as dishwasher safe.
- Use a mild detergent.

### Items that should not be placed in a dishwasher

- Cutlery with wooden, bone china or mother-of-pearl handles.
- Plastic items that are not heat resistant.
- Items that have been repaired with glue that is not heat resistant.
- Pewter, copper or steel items.
- Wooden platters.
- Items made from synthetic fibers.
- Items with glazed patterns may fade if machine washed frequently.

### Tips for efficient loading

- Load hollow items such as cups, glasses or pans with the opening downward so that water cannot collect in the container.
- Items must not lie inside one another or cover one another.
- To avoid damage to glasses, they should not touch.
- Sharp items of cutlery such as carving knives should be loaded horizontally in the basket to avoid injury when unloading.
- Do not overload the appliance.

## LOADING THE CUTLERY BASKET

Cutlery should be placed in the cutlery basket with the handles facing down. Ensure that cutlery items do not nest inside of one another as this can affect cleaning performance.

Sharp or pointed items should be placed in the cutlery basket with points facing down to avoid injury when unloading.

Do not place excessively small items into the dishwasher as they could fall through the basket and impact the operation of the appliance.

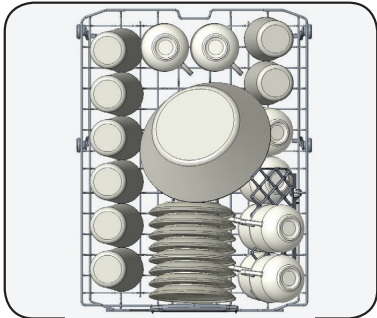
Load capacity	10 place settings
Water pressure	43.5 - 145 PSI (0.3 - 10 bars)
Electrical requirements	120 V; 12 A; 60 Hz
Total power	1400 W
Heater power	1100 W

# OPERATING INSTRUCTIONS

## LOADING THE UPPER BASKET

The upper basket is designed for cups, glasses, small plates, bowls and plastic items that are marked dishwasher safe.

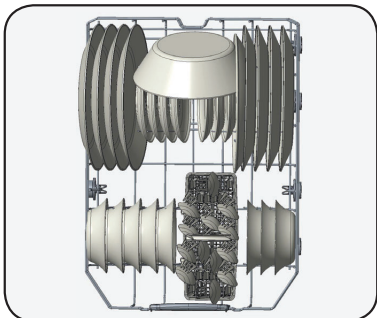
Make sure the loaded dishes do not interfere with the rotation of the spray arm located on the bottom of the upper basket.



## LOADING THE LOWER BASKET

The lower basket is designed for dinner dishes, soup bowls, plates, pots, lids, casserole dishes and plates.

Load large items such as pans and pots should be loaded with their open sides facing downwards.



## UPPER BASKET RACK

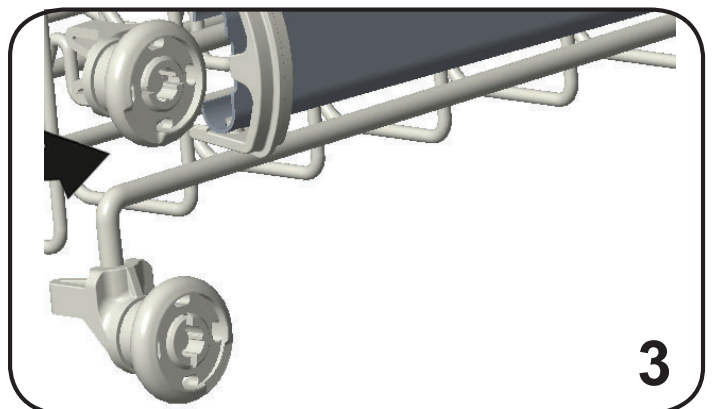
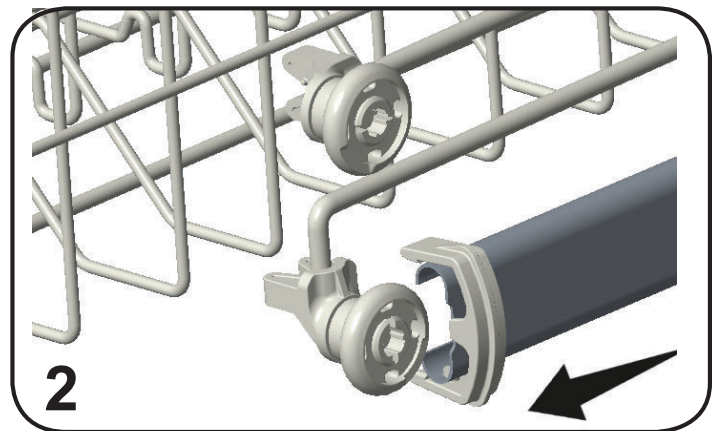
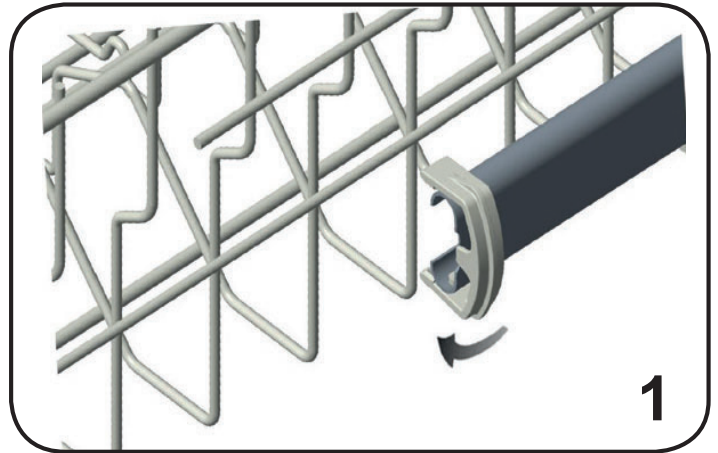
The upper basket rack can be used for extra cups and glasses.



## UPPER BASKET HEIGHT

The height of the upper basket can be adjusted to make room for larger items.

1. Release the latches on the left and right sides of the upper basket but turning them clockwise.
2. Pull the upper basket all the way out.
3. Replace the upper basket on the upper track.





# OPERATING INSTRUCTIONS

## DETERGENT DISPENSER

The detergent dispenser must be filled before the start of each wash cycle. Add the detergent just before starting the wash cycle. Adding the detergent to the appliance too soon can cause it to become damp and it may not dissolve properly.

Push the latch to open the dispenser.

Add the recommended amount of detergent to the main detergent component. The detergent dispenser has lines on the inside to indicate amounts of detergent.

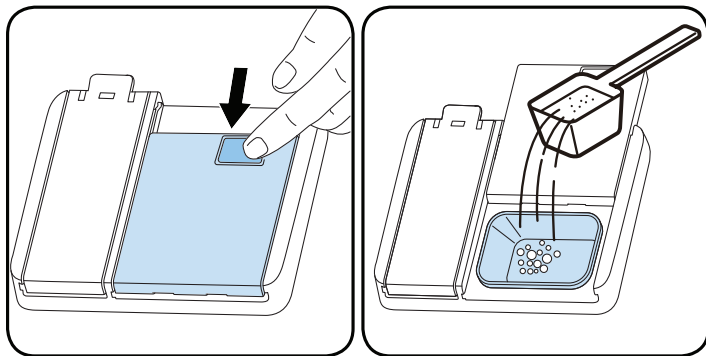
If dishes are heavily soiled, extra detergent can be added to the main cabinet as necessary. Do not use too much detergent as this can leave a residue on dishes.

Ensure the detergent dispenser is closed before closing the door.

The detergent dispenser will always be open and empty at the end of a wash program.

Detergent tablets may not fully dissolve during a short program. Only use detergent tablets with longer programs to avoid residue on tableware.

Always follow the instructions included with the detergent for best results.

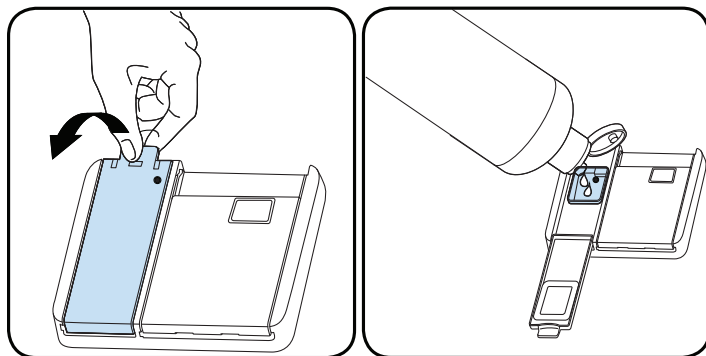


## RINSE AID DISPENSER

Rinse aid can be used to prevent water droplets or streaks from forming on dishes. The rinse aid will be released automatically during the final rinse. This dishwasher is designed to use liquid rinse aid only. Do not use a powdered rinse aid as it will clog the reservoir opening. Do not put any other substance in the rinse aid dispenser as this can damage the dishwasher.

The rinse aid indicator light on the control panel will illuminate when the rinse aid dispenser is empty. Fill the dispenser and ensure the lid is closed before closing the door.

Do not put detergent in the rinse aid dispenser as this can damage the rinse aid dispenser and leave a soap film on dishes.



To change how much rinse aid is being dispensed with every wash, follow the steps below.

1. Turn the dishwasher off.
2. Press and hold the program button.
3. Turn the dishwasher on while still holding the program button until "rA" appears on the display.
4. The display will show the current level based on the chart below. The factory default level is r4. Press the program button to choose the desired level.
5. Turn off the dishwasher to confirm the setting.

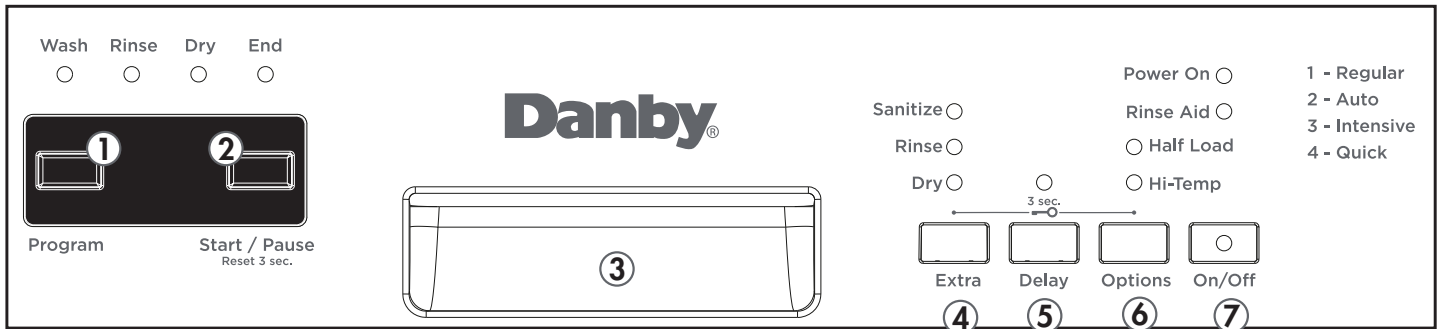
Level	Dose
r1	no rinse aid
r2	1 dose
r3	2 doses
r4	3 doses
r5	4 doses

**Note:** If the dishes are not drying properly or are spotted, increase the level.

If there are blue stains on the dishes, decrease the level.

# OPERATING INSTRUCTIONS

## CONTROL PANEL - BUTTONS



1. **Program button:** Press to select the desired program.

2. **Start/Pause button:**

- Press to start the desired program.
- Press to pause a program that is running. Press again to restart the program.
- Press and hold for 3 seconds to cancel a program which it is in operation.

3. **Handle**

4. **Extra button:** Press to select extra functions such as sanitize, extra rinse and extra dry.

- **Sanitize:** raises the water temperature in the final rinse
- **Extra rinse:** adds an extra rinse cycle to the program
- **Extra dry:** adds an extra dry cycle to the program

5. **Delay button:** Press to set the time delay function.

6. **Options button:** Press to select the half load and hi - temp functions.

- **Half load:** used to run the dishwasher when it is only half full.
- **Hi-temp:** both the water temperature and the washing time are increased.

7. **Power button:** Use to turn the dishwasher on or off.

# OPERATING INSTRUCTIONS

## PROGRAMS AND OPTIONS TABLE

- The program duration may change according to the amount of dishes, the water temperature, the ambient temperature and selected additional functions.
- The energy usage label is based on the regular program. It is the most efficient in terms of its combined energy and water consumption at cleaning normally soiled dishes.
- Only use powder detergent for short programs.
- Short programs do not include drying.

Programs		Duration (minutes)	Description
1. Regular	Dirty	140	Standard program for daily, regular use to wash a normally soiled load of dishes.
	Clean	105	
2. Auto	Dirty	155	This program automatically adjusts the temperature, the quantity of water, the energy consumption and the program duration.
	Clean	110	
3. Intensive		130	Suitable for heavily soiled dishes.
4. Quick		50	Suitable for normally soiled daily dishes with a faster program.

## STARTING A WASH CYCLE

1. Load the dishwasher as per the loading instructions. Ensure that the upper and lower arms can turn freely.
2. Add detergent and rinse aid as required.
3. Close the door and press the power button to turn on the dishwasher.
4. Press the program button repeatedly until the number of the desired program appears on the display. Refer to the programs table above.
5. Press the extra button to add any desired additional functions to the program.
6. Additional functions can be canceled by pressing the extra button six times..
7. Press the start/pause button to begin the program.

## CHANGING THE PROGRAM MID CYCLE

A program can only be changed if it has been running for a short time, otherwise the detergent may have already been released and the dishwasher may have already drained the wash water. If this is the case the dishwasher needs to be reset and the detergent dispenser must be refilled.

The program can be changed mid cycle by following the steps below:

1. Press the start/pause button to pause the program.
2. Press the program button to select the desired program.
3. Press the start/pause button to start the new program.



# OPERATING INSTRUCTIONS

## ADDING A FORGOTTEN DISH

A forgotten dish can be added to a running cycle any time before the detergent dispenser has opened. If the detergent has already been released into the appliance, it is recommended not to add more dishes as they will not receive adequate cleaning.

To add a dish:

1. Open door slightly and wait a few seconds until the wash action stops before completely opening.
2. Add the forgotten item.
3. Close the door firmly to latch and press the Start/Pause/Cancel button to resume the program. The program will resume after a ten second pause.

**Caution:** Wait until wash action completely stops before opening the door. Hot water may splash out of the dishwasher and can cause injury.

## CHILD LOCK

The child lock will lock the control panel so that no buttons can be pressed.

Press and hold the extra button and options button at the same time for 3 seconds. "CL" will appear on the display to show that the child lock is active.

Press and hold the extra button and the options button at the same time for 3 seconds to deactivate the child lock. "CL" will blink twice on the display and then disappear.

## TIME DELAY

A time delay can be used to set the dishwasher to run at a later time such as over night or during off peak hours.

### To set the time delay function:

1. Press the delay button repeatedly to set the number of hours to delay the start of the program.
2. Each key press increases the set time by 1 hour to a maximum of 19 hours.
3. Press the start/pause button to confirm the selection.

### To cancel the time delay function:

Press and hold the start/pause button for 3 seconds to cancel the time delay function.

If the dishwasher door is opened while a delay timer is set and closed within 4 seconds, the delay timer will continue as programmed.

If the door is open for more than 4 seconds the delay timer will be paused. Press the start/pause button to resume the delay timer.

# CARE & MAINTENANCE

## CLEANING

- Ensure the dishwasher is unplugged and water lines are closed before performing any cleaning or maintenance.
- After every wash, leave the door slightly open so that moisture and odors are not trapped inside the appliance.
- Only use a soft cloth and mild detergent to clean the appliance. Never use solvents or abrasive cleaning agents as this can damage the appliance.
- To remove water spots from the interior of the appliance, use a soft cloth dampened with a small amount of vinegar.
- If the appliance will not be used for a long period of time, it is recommended to run a normal wash cycle with the dishwasher empty and then leave the door open until the interior of the appliance is completely dry. This will help the door seals last longer and will help prevent odors from forming inside the appliance.
- Clean the door seals with a damp sponge regularly to prevent odors from food particles that can become trapped in the door seal.
- It is recommended to clean the filter and spray arms at least once a month.

## ERROR CODES

### FF - water inlet warning

- Water cannot enter the machine, check the water inlet

### F1 - overflow warning

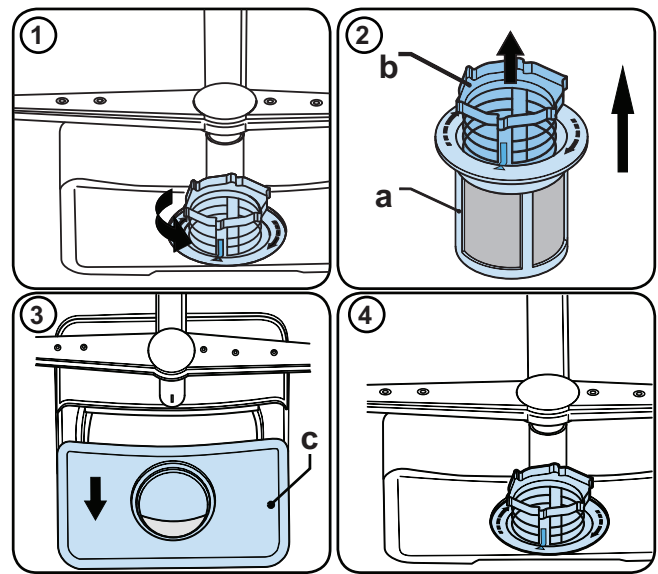
- Water cannot exit the machine, check the water drain, be cautious as water can leak from the machine

If the appliance displays any error code, a power reset may resolve the issue. Unplug the appliance, wait approximately 5 minutes and then plug it back in.

## FILTER

Clean the filters with warm water on a regular basis to avoid the build up of odors inside the dishwasher.

- a. Micro filter
- b. Coarse filter
- c. Metal/plastic

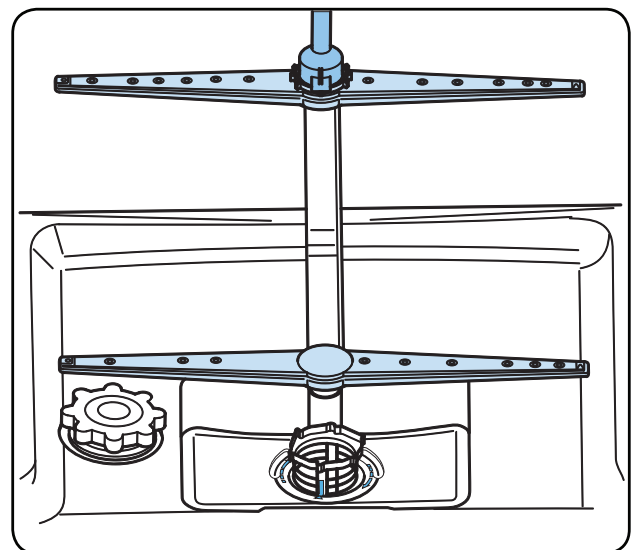


## SPRAY ARM

The spray arms should be periodically removed and cleaned to remove any hard water build up.

To remove the upper spray arm hold the nut in the center and rotate the spray arm counterclockwise.

To remove the lower spray arm gently pull it upward.



## FREQUENTLY ASKED QUESTIONS

### **What are the standard wattage and amps used?**

Information pertaining to watts and amps can be found on the rating plate.

### **My faucet adapter doesn't fit. Why?**

Our units are designed to fit standard North American faucets.

### **Can I make my portable dishwasher built in?**

Please refer to your owner's manual for specifications on how much room is needed between the unit and each adjacent wall.

### **Do I need to put rinse aid in?**

Rinse aid is not needed, however it is recommended. Note that if you do not use rinse aid, although the unit will still function, the rinse aid indicator light will remain illuminated.

### **My unit won't drain what should I do?**

Check to make sure that the filters and drainage area are not clogged.

### **My unit isn't going through the cycles what should I do?**

Try setting the unit to a high temperature. The unit can take up to 2 hours to heat up the cold water depending on the temperature setting.

### **My control panel is bubbling is there something wrong with it?**

There is a protective layer of plastic that protects your control panel during transportation. This should be removed during installation.

## TROUBLESHOOTING

### No power

- A fuse may be blown or the circuit breaker tripped
- Power surge
- Plug not fully inserted into the wall outlet
- Door not closed correctly

### Water not drained from dishwasher

- Kink in drain hose
- Filter clogged
- Drain pump malfunction

### Detergent left in the dispenser

- Dishes blocking dispenser from fully opening; unit may be over loaded

### Suds left in the appliance

- Too much detergent or wrong kind of detergent
- Too much rinse aid

### White film or cloudiness on dishes or interior tub

- Hard water minerals
- Too much detergent
- Not enough rinse aid

### Noise inside the tub while running

- The spray arm is hitting an item in the basket
- An item has fallen out of the basket and is on the bottom of the wash tub

### Dishes are not clean

- Dishes were loaded incorrectly
- The wash program was not powerful enough
- Not enough detergent
- Items are blocking the spray arm; unit may be over loaded
- Filter clogged

### Dishes are not drying

- Dishes were loaded incorrectly
- Too many dishes were loaded
- Not enough rinse aid
- Dishes removed too quickly

## LIMITED "IN HOME" WARRANTY

This quality product is warranted to be free from manufacturer's defects in material and workmanship, provided that the unit is used under the normal operating conditions intended by the manufacturer.

This warranty is available only to the person to whom the unit was originally sold by Danby Products Limited (Canada) or Danby Products Inc. (U.S.A.) (hereafter "Danby") or by an authorized distributor of Danby, and is non-transferable.

### TERMS OF WARRANTY

Plastic parts are warranted for thirty (30) days from the date of purchase, with no extensions provided.

**First 12 months** During the first **twelve (12) months**, any functional parts of this product found to be defective, will be repaired or replaced, at warrantor's option, at no charge to the original purchaser.

**To obtain service** Contact the dealer where the unit was purchased, or contact the nearest authorized Danby service depot, where service must be performed by a qualified service technician. If service is performed on the unit by anyone other than an authorized service depot, all obligations of Danby under this warranty shall be void.

**Boundaries of in-home service** Danby reserves the right to limit the boundaries of "In Home Service" to the proximity of an authorized service depot. Any appliance requiring service outside the limited boundaries of "In Home Service", will be the consumer's responsibility to transport at their own expense to the original point of purchase or a service depot for repair. If the appliance is installed in a location that is **100 kilometers (62 miles)** or more from the nearest service center, it must be delivered to the nearest authorized Danby Service Depot by the purchaser.

Transportation charges to and from the service location are not protected by this warranty and are the responsibility of the purchaser.

Nothing within this warranty shall imply that Danby will be responsible or liable for any spoilage or damage to food or other contents of this appliance, whether due to any defect of the appliance, or its use, whether proper or improper.

### EXCLUSIONS

Save as herein provided, by Danby, there are no other warranties, conditions, representations or guarantees, express or implied, made or intended by Danby or its authorized distributors and all other warranties, conditions, representations or guarantees, including any warranties, conditions, representations or guarantees under any Sale of Goods Act or like legislation or statute is hereby expressly excluded. Save as herein provided, **Danby shall not be responsible for any damages to persons or property, including the unit itself, howsoever caused or any consequential damages arising from the malfunction of the unit and by the purchase of the unit, the purchaser does hereby agree to indemnify and hold harmless Danby from any claim for damages to persons or property caused by the unit.**

### GENERAL PROVISIONS

No warranty or insurance herein contained or set out shall apply when damage or repair is caused by any of the following:

- 1) Power failure.
- 2) Damage in transit or when moving the appliance.
- 3) Improper power supply such as low voltage, defective house wiring or inadequate fuses.
- 4) Accident, alteration, abuse or misuse of the appliance such as inadequate air circulation in the room or abnormal operating conditions (ie. extremely high or low room temperature).
- 5) Use for commercial or industrial purposes (ie. If the appliance is not installed in a domestic residence).
- 6) Fire, water damage, theft, war, riot, hostility, acts of God such as hurricanes, floods etc.
- 7) Service calls resulting in customer education.
- 8) Improper Installation (ie. Building-in of a free standing appliance or using an appliance outdoors that is not approved for outdoor application, including but not limited to: garages, patios, porches or anywhere that is not properly insulated or climate controlled).

Proof of purchase date will be required for warranty claims; retain bills of sale. In the event that warranty service is required, present the proof of purchase to our authorized service depot.

**Warranty Service  
In Home**

Danby Products Limited  
PO Box 1778, Guelph, Ontario, Canada N1H 6Z9  
Telephone: (519) 837-0920 FAX: (519) 837-0449

**1-800-263-2629**  
04/17

Danby Products Inc.  
PO Box 669, Findlay, Ohio, U.S.A. 45840  
Telephone: (419) 425-8627 FAX: (419) 425-8629

# Bienvenue dans la famille Danby.

Nous sommes fiers de nos produits de qualité et nous croyons en un service fiable. Nous vous suggérons de lire ce manuel du propriétaire avant de brancher votre nouvel appareil car il contient des informations de fonctionnement importantes, des informations de sécurité, des conseils de dépannage et d'entretien pour assurer la fiabilité et la longévité de votre appareil.

Vous avez droit à la couverture de la garantie décrite dans le manuel du propriétaire fourni avec votre nouvel appareil.

1. Veuillez noter ci-dessous les informations relatives à votre appareil. Vous devez conserver la preuve d'achat originale pour valider et bénéficier des services de garantie.
2. Enregistrez votre produit en ligne et recevez une **PROLONGATION DE GARANTIE GRATUITE DE 2 MOIS** après avoir rempli une enquête sur les produits, à l'adresse [www.danby.com/support/product-registration/](http://www.danby.com/support/product-registration/)

Numéro de modèle : \_\_\_\_\_

Numéro de série : \_\_\_\_\_

Date d'achat : \_\_\_\_\_

## Besoin d'assistance?

1. Lisez votre manuel du propriétaire pour obtenir de l'aide à l'installation, au dépannage et à la maintenance.
2. Visitez [www.Danby.com](http://www.Danby.com) pour accéder aux outils en libre-service, aux FAQ et bien plus encore en recherchant votre numéro de modèle dans la barre de recherche.
3. Pour bénéficier du **service client le plus rapide**, veuillez remplir le formulaire Web à l'adresse [www.danby.com/support](http://www.danby.com/support). Votre soumission ira directement à un expert de votre appareil particulier. Nos temps de réponse moyens sont compris entre 20 minutes et 2 heures, pendant les heures ouvrables EST.
4. Composez le **1-800-263-2629** - veuillez noter que pendant les heures de pointe, les temps d'attente peuvent dépasser une heure.





## Consignes de sécurité importantes

### LIRE ET SUIVRE TOUTES LES INSTRUCTIONS DE SÉCURITÉ

#### INSTRUCTIONS DE MISE À LA TERRE

Cet appareil doit être mis à la terre. En cas de court-circuit, la mise à la terre réduit les risques de décharge électrique en fournissant un échappatoire au courant électrique.

Cet appareil est équipé d'un cordon doté d'un fil de mise à la terre et d'une prise de mise à la terre. Le cordon d'alimentation doit être branché sur une prise correctement mise à la terre. Si la sortie est une prise murale à 2 broches, il est de votre responsabilité de la remplacer par une prise murale à 3 broches correctement mise à la terre. La plaque signalétique en série indique la tension et la fréquence auxquelles l'appareil est conçu.

**AVERTISSEMENT** - Une utilisation incorrecte de la fiche de mise à la terre peut entraîner un risque de choc électrique. Consultez un électricien qualifié ou un agent de service si les instructions de mise à la terre ne sont pas complètement comprises, ou s'il existe un doute quant à savoir si l'appareil est correctement mis à la terre.

#### N'UTILISER JAMAIS DE FIL DE RALLONGE

Ne connectez pas votre appareil aux rallonges ou avec un autre appareil dans la même prise murale. Ne pas épisser le cordon d'alimentation. Ne coupez ou retirez en aucun cas la troisième broche du cordon d'alimentation.

Si le cordon d'alimentation est endommagé, il doit être remplacé par le fabricant, son agent de service ou une personne qualifiée similaire afin d'éviter tout risque.

Assurez-vous que les composants sont remplacés par des composants similaires et que l'entretien est effectué par le personnel de maintenance autorisé en usine pour minimiser le risque d'allumage en raison de pièces incorrectes ou d'un service incorrect.

Cet appareil n'est pas destiné à être utilisé par des personnes (y compris des enfants) dont les capacités physiques, sensorielles ou mentales peuvent être différentes ou réduites, ou qui ont de l'expérience ou des connaissances, à moins que ces personnes ne soient surveillées ou formées pour faire fonctionner l'appareil par une personne responsable de leur sécurité.

#### EXIGENCES DE SÉCURITÉ

- Les enfants doivent être surveillés pour s'assurer qu'ils ne jouent pas avec l'appareil.
- Ne vous tenez pas debout, ne vous asseyez pas et ne vous appuyez pas sur la porte ou le panier à vaisselle. Ne placez pas d'objets lourds sur la porte lorsqu'elle est ouverte.
- Ne touchez pas l'élément chauffant pendant ou immédiatement après son utilisation.
- N'utilisez pas l'appareil si tous les panneaux du boîtier ne sont pas correctement installés.
- Ne pas toucher aux commandes.
- Ouvrez la porte avec précaution pendant le fonctionnement, de l'eau peut couler. Procédez avec prudence car l'eau peut être chaude.
- Ne lavez pas d'articles en plastique, sauf s'ils sont marqués comme allant au lave-vaisselle.
- Utilisez uniquement des détergents et des additifs de rinçage conçus pour un lave-vaisselle automatique.
- N'utilisez jamais de savon, de détergent à lessive ou de détergent pour lave-mains au lave-vaisselle.
- Gardez le détergent et le produit de rinçage hors de la portée des enfants.
- Vérifiez que le distributeur de détergent est vide à la fin du cycle de lavage.
- Les détergents pour lave-vaisselle sont fortement alcalins et peuvent être extrêmement dangereux s'ils sont avalés. Éviter le contact avec la peau et les yeux.
- Retirez la porte de l'appareil lors de la mise hors service ou de la mise au rebut.
- Utilisez le lave-vaisselle uniquement aux fins pour lesquelles il a été conçu.

#### AVERTISSEMENT - Le gaz hydrogène est explosif!

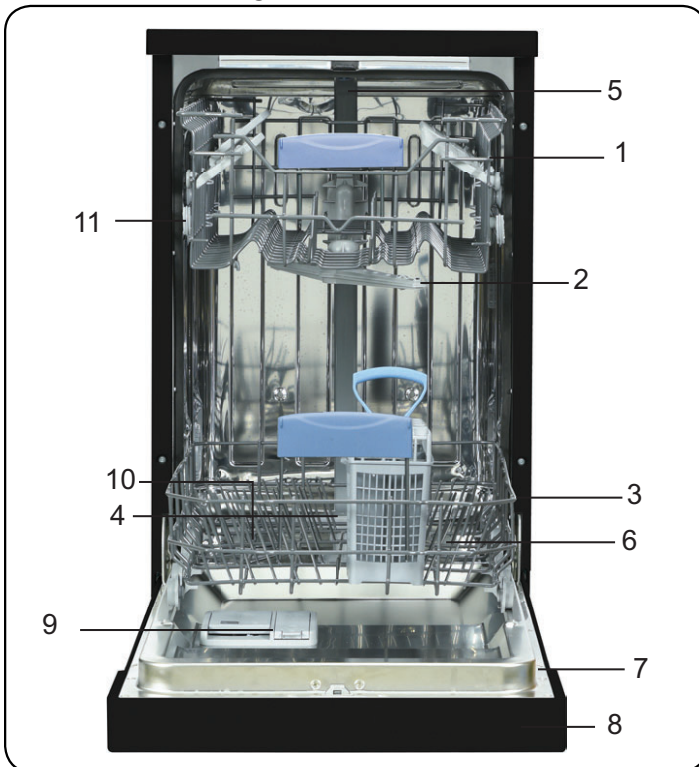
L'hydrogène peut être produit dans un système d'eau chaude qui n'a pas été utilisé pendant une longue période. Si le système d'eau chaude n'a pas été utilisé depuis deux semaines ou plus, ouvrez tous les robinets d'eau chaude et laissez l'eau couler pendant plusieurs minutes avant d'utiliser le lave-vaisselle. Cela libérera tout gaz d'hydrogène accumulé. Ne pas fumer ou utiliser une flamme nue pendant cette période.

**GARDER CES INSTRUCTIONS!**

# CONSIGNES D'UTILISATION

## CARACTÉRISTIQUES

1. Panier supérieur avec supports
2. Bras d'aspersion supérieur
3. Panier inférieur
4. Bras d'aspersion inférieur
5. Buse supérieure (selon le modèle)
6. Filtres
7. Plaque
8. Panneau de configuration
9. Distributeur de détergent et de produit de rinçage
10. Distributeur de sel (selon modèle)
11. Loquet de rail du panier supérieur
12. Unité de séchage



## CHARGEMENT DU LAVE-VAISSELLE

- Cet appareil peut contenir 10 couverts complets.
- Grattez tous les plats pour éliminer les gros résidus alimentaires avant de les mettre au lave-vaisselle.
- Ne placez dans ce lave-vaisselle que la vaisselle marquée comme allant au lave-vaisselle.
- Utilisez un détergent doux.

### Articles qui ne doivent pas être placés dans un lave-vaisselle

- Couverts avec manche en bois, porcelaine ou nacre.
- Articles en plastique qui ne résistent pas à la chaleur.
- Articles qui ont été réparés avec de la colle qui n'est pas résistante à la chaleur.
- Articles en étain, cuivre ou acier.
- Plateaux en bois.
- Articles en fibres synthétiques.
- Les articles avec des motifs vitrés peuvent se décolorer s'ils sont lavés fréquemment en machine.

### Conseils pour un chargement efficace

- Chargez les articles creux tels que les tasses, les verres ou les casseroles avec l'ouverture vers le bas afin que l'eau ne puisse pas s'accumuler dans le récipient.
- Les articles ne doivent pas se trouver les uns dans les autres ni se couvrir les uns les autres.
- Pour éviter d'endommager les lunettes, elles ne doivent pas se toucher.
- Les couverts tranchants tels que les couteaux à découper doivent être chargés horizontalement dans le panier pour éviter les blessures lors du déchargement.
- Ne surchargez pas l'appareil.

## CHARGEMENT DU PANIER À COUVERTS

Les couverts doivent être placés dans le panier à couverts avec les poignées vers le bas. Assurez-vous que les couverts ne s'emboîtent pas les uns dans les autres, car cela peut affecter les performances de nettoyage.

Les articles tranchants ou pointus doivent être placés dans le panier à couverts avec les pointes vers le bas pour éviter les blessures lors du déchargement.

Ne placez pas d'articles trop petits dans le lave-vaisselle car ils pourraient tomber à travers le panier et affecter le fonctionnement de l'appareil.

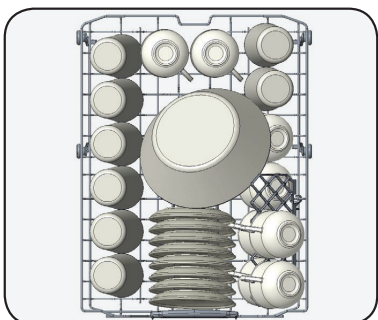
La capacité de charge	10 couverts
Pression de l'eau	43.5 - 145 PSI (0.3 - 10 bars)
Exigences électriques	120 V; 12 A; 60 Hz
Pouvoir total	1400 W
Puissance de chauffage	1100 W

## CONSIGNES D'UTILISATION

### CHARGEMENT DU PANIER SUPÉRIEUR

Le panier supérieur est conçu pour les tasses, verres, petites assiettes, bols et articles en plastique marqués lavables au lave-vaisselle.

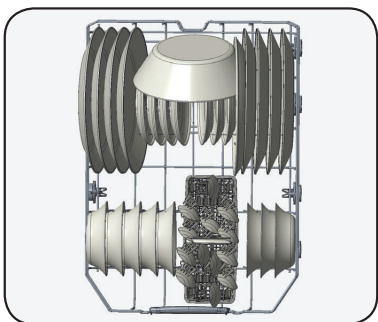
Assurez-vous que la vaisselle chargée n'interfère pas avec la rotation du bras gicleur situé au bas du panier supérieur.



### CHARGEMENT DU PANIER INFÉRIEUR

Le panier inférieur est conçu pour les plats à dîner, les bols à soupe, les assiettes, les casseroles, les couvercles, les casseroles et les assiettes.

Les gros articles tels que les casseroles et les casseroles doivent être chargés avec leurs côtés ouverts vers le bas.



### SUPPORT DE PANIER SUPÉRIEUR

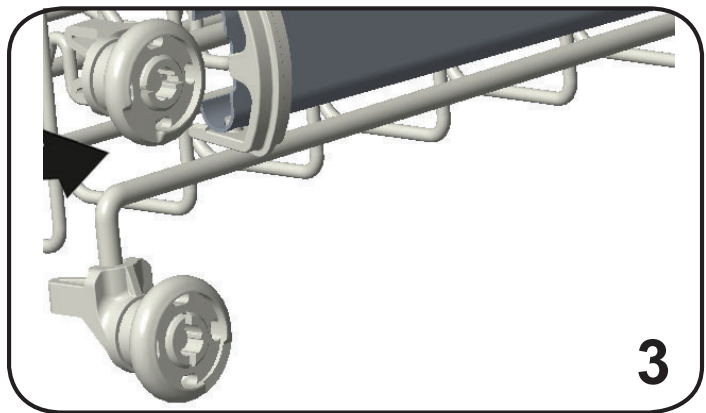
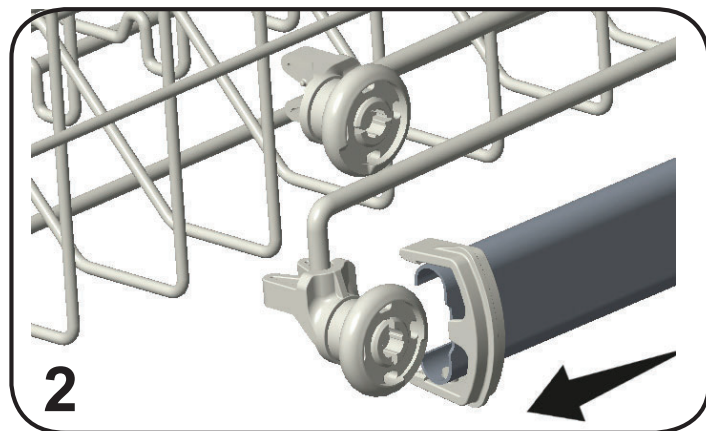
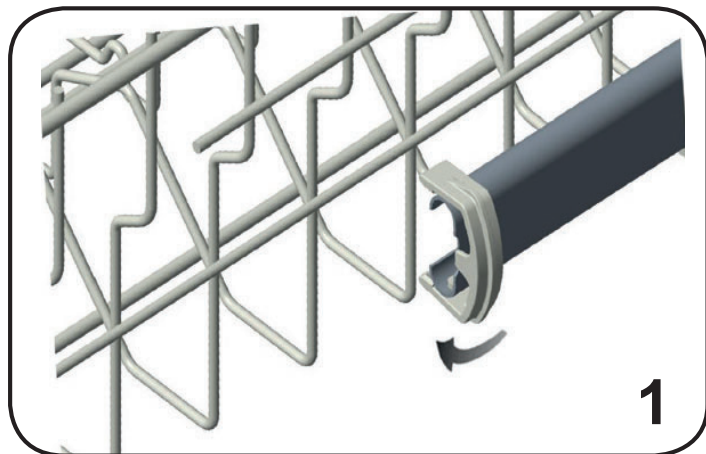
Le panier supérieur peut être utilisé pour des tasses et des verres supplémentaires.



### HAUTEUR DU PANIER SUPÉRIEUR

La hauteur du panier supérieur peut être ajustée pour faire de la place pour des articles plus gros.

1. Relâchez les loquets sur les côtés gauche et droit du panier supérieur, mais en les tournant dans le sens des aiguilles d'une montre.
- 2.
3. Retirez complètement le panier supérieur.
- 4.
5. Remplacez le panier supérieur sur le rail supérieur.



## CONSIGNES D'UTILISATION

### DISTRIBUTEUR DE DÉTERGENT

Le distributeur de détergent doit être rempli avant le début de chaque cycle de lavage. Ajoutez le détergent juste avant de démarrer le cycle de lavage. L'ajout trop tôt du détergent dans l'appareil peut le rendre humide et il risque de ne pas se dissoudre correctement.

Appuyez sur le loquet pour ouvrir le distributeur.

Ajoutez la quantité recommandée de détergent au composant principal du détergent. Le distributeur de détergent a des lignes à l'intérieur pour indiquer les quantités de détergent.

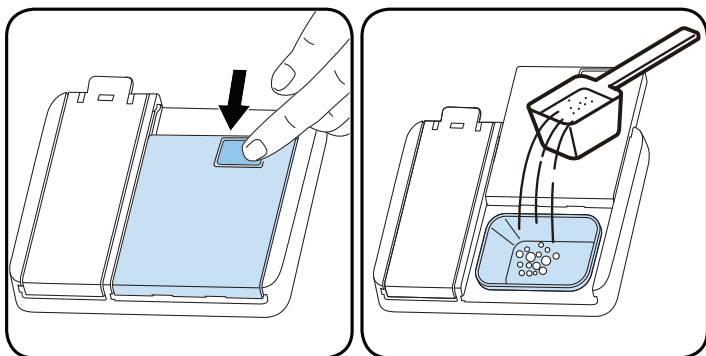
Si la vaisselle est très sale, un détergent supplémentaire peut être ajouté dans l'armoire principale si nécessaire. N'utilisez pas trop de détergent car cela peut laisser des résidus sur la vaisselle.

Assurez-vous que le distributeur de détergent est fermé avant de fermer la porte.

Le distributeur de détergent sera toujours ouvert et vide à la fin d'un programme de lavage.

Les pastilles de détergent peuvent ne pas se dissoudre complètement pendant un programme court. N'utilisez que des pastilles de détergent avec des programmes plus longs pour éviter les résidus sur la vaisselle.

Suivez toujours les instructions fournies avec le détergent pour de meilleurs résultats.

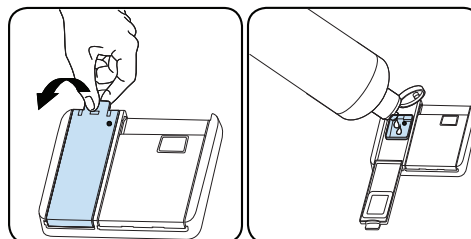


### DISTRIBUTEUR DE PRODUIT DE RINÇAGE

Un produit de rinçage peut être utilisé pour empêcher la formation de gouttelettes ou de stries d'eau sur la vaisselle. Le produit de rinçage sera libéré automatiquement lors du rinçage final. Ce lave-vaisselle est conçu pour utiliser uniquement un agent de rinçage liquide. N'utilisez pas de produit de rinçage en poudre car il obstruerait l'ouverture du réservoir. Ne mettez aucune autre substance dans le distributeur de produit de rinçage car cela pourrait endommager le lave-vaisselle.

Le voyant du produit de rinçage sur le panneau de commande s'allume lorsque le distributeur de produit de rinçage est vide. Remplissez le distributeur et assurez-vous que le couvercle est fermé avant de fermer la porte.

Ne mettez pas de détergent dans le distributeur de produit de rinçage car cela pourrait endommager le distributeur de produit de rinçage et laisser un film de savon sur la vaisselle.



Pour modifier la quantité de liquide de rinçage distribuée à chaque lavage, suivez les étapes ci-dessous.

1. Éteignez le lave-vaisselle.
2. Appuyez sur le bouton programme et maintenez-le enfoncé.
3. Allumez le lave-vaisselle tout en maintenant le bouton de programme enfoncé jusqu'à ce que «rA» apparaisse sur l'affichage.
4. L'écran affichera le niveau actuel basé sur le graphique ci-dessous. Le niveau par défaut d'usine est r4. Appuyez sur le bouton programme pour choisir le niveau souhaité.
5. Éteignez le lave-vaisselle pour confirmer le réglage.

Niveau	Dose
r1	no rinse aid
r2	1 dose
r3	2 doses
r4	3 doses
r5	4 doses

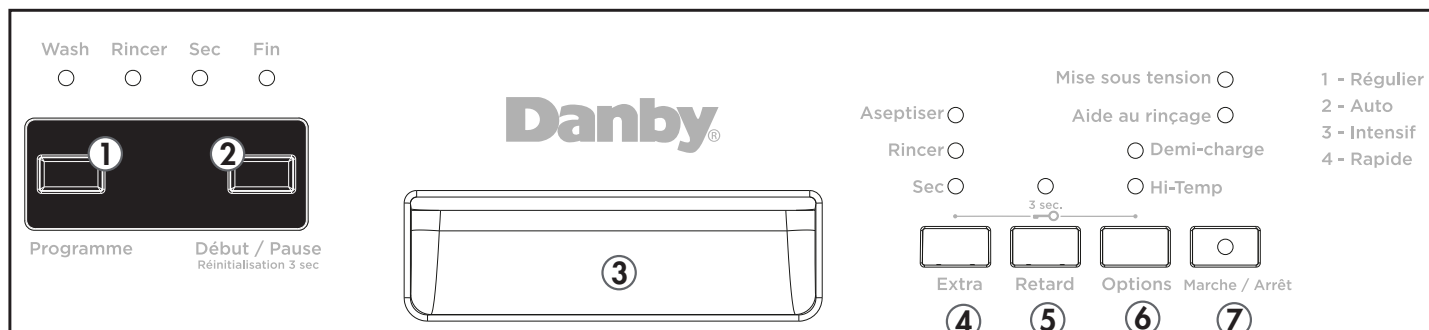
**Remarque :** Si la vaisselle ne sèche pas correctement ou est tachetée, augmentez le niveau.

S'il y a des taches bleues sur la vaisselle, diminuez le niveau.



# CONSIGNES D'UTILISATION

## PANNEAU DE COMMANDE - BOUTONS



- 1. Bouton programme :** Appuyez pour sélectionner le programme souhaité.
- 2. Bouton départ / pause :**
  - Appuyez sur pour démarrer le programme souhaité.
  - Appuyez pour mettre en pause un programme en cours d'exécution. Appuyez à nouveau pour redémarrer le programme.
  - Appuyez et maintenez pendant 3 secondes pour annuler un programme en cours.
- 3. Manipuler**
- 4. Bouton extra :** Appuyez pour sélectionner des fonctions supplémentaires telles que désinfection, rinçage supplémentaire et séchage supplémentaire.
  - **Désinfecter :** augmente la température de l'eau lors du rinçage final
  - **Rinçage supplémentaire :** ajoute un cycle de rinçage supplémentaire au programme
  - **Extra sec :** ajoute un cycle de séchage supplémentaire au programme
- 5. Bouton de délai :** Appuyez pour régler la fonction de temporisation.
- 6. Bouton options :** Appuyez pour sélectionner les fonctions demi-charge et haute température.
  - **Demi-charge:** utilisé pour faire fonctionner le lave-vaisselle lorsqu'il n'est qu'à moitié plein.
  - **Hi-temp:** la température de l'eau et le temps de lavage sont augmentés.
- 7. Bouton d'alimentation:** permet d'allumer ou d'éteindre le lave-vaisselle.

# CONSIGNES D'UTILISATION

## TABLEAU DES PROGRAMMES ET DES OPTIONS

- La durée du programme peut changer en fonction de la quantité de vaisselle, de la température de l'eau, de la température ambiante et des fonctions supplémentaires sélectionnées.
- L'étiquette de consommation d'énergie est basée sur le programme régulier. C'est le plus efficace en termes de consommation combinée d'énergie et d'eau pour nettoyer la vaisselle normalement sale.
- Utilisez uniquement du détergent en poudre pour les programmes courts.
- Les programmes courts n'incluent pas le séchage.

Programmes		Durée (minutes)	La description
1. Ordinaire	Sale	140	Programme standard pour une utilisation quotidienne et régulière pour laver une charge de vaisselle normalement sale.
	Nettoyer	105	
2. Auto	Sale	155	Ce programme ajuste automatiquement la température, la quantité d'eau, la consommation d'énergie et la durée du programme.
	Nettoyer	110	
3. Intensif		130	Convient pour la vaisselle très sale.
4. Rapide		50	Convient aux plats quotidiens normalement sales avec un programme plus rapide.

### DÉMARRER UN CYCLE DE LAVAGE

1. Chargez le lave-vaisselle selon les instructions de chargement. Assurez-vous que les bras supérieurs et inférieurs peuvent tourner librement.
2. Ajoutez du détergent et du produit de rinçage si nécessaire.
3. Fermez la porte et appuyez sur le bouton d'alimentation pour allumer le lave-vaisselle.
4. Appuyez plusieurs fois sur la touche de programme jusqu'à ce que le numéro du programme souhaité apparaisse à l'écran. Reportez-vous au tableau des programmes ci-dessus.
5. Appuyez sur le bouton supplémentaire pour ajouter les fonctions supplémentaires souhaitées au programme.
6. Des fonctions supplémentaires peuvent être annulées en appuyant six fois sur le bouton supplémentaire.
7. Appuyez sur le bouton Départ / Pause pour démarrer le programme.

### MODIFICATION DU PROGRAMME À MI-CYCLE

Un programme ne peut être modifié que s'il a fonctionné pendant une courte période, sinon le détergent peut avoir déjà été libéré et le lave-vaisselle peut avoir déjà vidé l'eau de lavage. Si tel est le cas, le lave-vaisselle doit être réinitialisé et le distributeur de détergent doit être rempli.

Le programme peut être modifié à mi-cycle en suivant les étapes ci-dessous :

1. Appuyez sur le bouton Départ / Pause pour interrompre le programme.
2. Appuyez sur le bouton programme pour sélectionner le programme souhaité.
3. Appuyez sur le bouton Départ / Pause pour démarrer le nouveau programme.



## CONSIGNES D'UTILISATION

### AJOUTER UN PLAT OUBLIÉ

Un plat oublié peut être ajouté à un cycle en cours à tout moment avant l'ouverture du distributeur de détergent. Si le détergent a déjà été libéré dans l'appareil, il est recommandé de ne pas ajouter plus de vaisselle car ils ne seront pas nettoyés correctement.

Pour ajouter un plat:

1. Ouvrez légèrement la porte et attendez quelques secondes jusqu'à ce que l'action de lavage s'arrête avant de l'ouvrir complètement.
2. Ajoutez l'élément oublié.
3. Fermez fermement la porte pour la verrouiller et appuyez sur le bouton Départ / Pause / Annulation pour reprendre le programme. Le programme reprendra après une pause de dix secondes.

**Attention:** Attendez que le lavage s'arrête complètement avant d'ouvrir la porte. De l'eau chaude peut éclabousser du lave-vaisselle et provoquer des blessures.

### VERROUILLAGE ENFANT

La sécurité enfants verrouille le panneau de commande de sorte qu'aucun bouton ne peut être enfoncé.

Appuyez et maintenez enfoncés le bouton supplémentaire et le bouton d'options en même temps pendant 3 secondes. «CL» apparaîtra sur l'écran pour indiquer que la sécurité enfants est active.

Maintenez enfoncés simultanément le bouton supplémentaire et le bouton d'options pendant 3 secondes pour désactiver la sécurité enfants. «CL» clignotera deux fois sur l'affichage, puis disparaîtra.

### RETARD DE TEMPS

Une temporisation peut être utilisée pour régler le lave-vaisselle pour qu'il fonctionne plus tard, par exemple pendant la nuit ou pendant les heures creuses.

#### Pour régler la fonction de temporisation :

1. Appuyez sur le bouton de retard à plusieurs reprises pour définir le nombre d'heures de retard du démarrage du programme.
2. Chaque pression sur une touche augmente la durée réglée d'une heure jusqu'à un maximum de 19 heures.
3. Appuyez sur le bouton Départ / Pause pour confirmer la sélection.

#### Pour annuler la fonction de temporisation :

Appuyez sur le bouton marche / pause et maintenez-le enfoncé pendant 3 secondes pour annuler la fonction de temporisation.

Si la porte du lave-vaisselle est ouverte alors qu'une minuterie différée est réglée et fermée dans les 4 secondes, la minuterie différée continuera comme programmé.

Si la porte est ouverte pendant plus de 4 secondes, la minuterie de retard sera mise en pause. Appuyez sur le bouton Départ / Pause pour reprendre le retardateur.

## SOINS ET ENTRETIEN

### NETTOYAGE

- Assurez-vous que le lave-vaisselle est débranché et que les conduites d'eau sont fermées avant d'effectuer tout nettoyage ou entretien.
- Après chaque lavage, laissez la porte légèrement ouverte afin que l'humidité et les odeurs ne soient pas emprisonnées à l'intérieur de l'appareil.
- Utilisez uniquement un chiffon doux et un détergent doux pour nettoyer l'appareil. N'utilisez jamais de solvants ou de produits de nettoyage abrasifs car cela pourrait endommager l'appareil.
- Pour éliminer les taches d'eau à l'intérieur de l'appareil, utilisez un chiffon doux imbibé d'une petite quantité de vinaigre.
- Si l'appareil n'est pas utilisé pendant une longue période, il est recommandé d'exécuter un cycle de lavage normal avec le lave-vaisselle vide, puis de laisser la porte ouverte jusqu'à ce que l'intérieur de l'appareil soit complètement sec. Cela aidera les joints de porte à durer plus longtemps et aidera à empêcher la formation d'odeurs à l'intérieur de l'appareil.
- Nettoyez régulièrement les joints de la porte avec une éponge humide pour éviter les odeurs de particules alimentaires qui peuvent se retrouver piégées dans le joint de la porte.
- Il est recommandé de nettoyer le filtre et les bras gicleurs au moins une fois par mois.

### CODES D'ERREUR

#### FF - avertissement d'entrée d'eau

- L'eau ne peut pas entrer dans la machine, vérifiez l'arrivée d'eau

#### F1 - avertissement de débordement

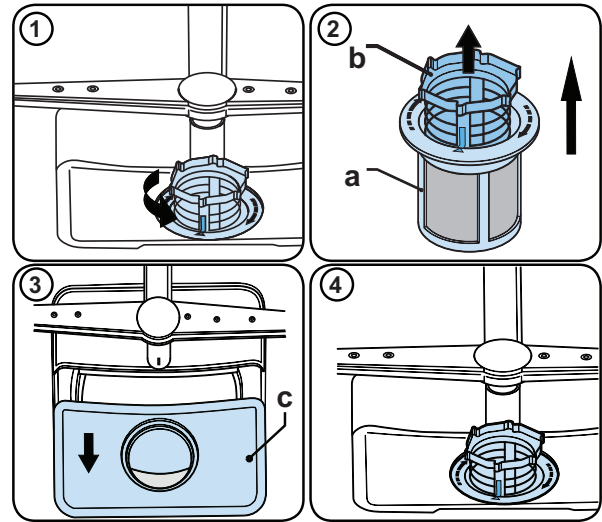
- L'eau ne peut pas sortir de la machine, vérifiez l'évacuation de l'eau, soyez prudent car l'eau peut fuir de la machine

Si l'appareil affiche un code d'erreur, une réinitialisation de l'alimentation peut résoudre le problème. Débranchez l'appareil, attendez environ 5 minutes, puis rebranchez-le.

### FILTRE

Nettoyez régulièrement les filtres à l'eau tiède pour éviter l'accumulation d'odeurs à l'intérieur du lave-vaisselle.

- a. Micro filtre
- b. Filtre grossier
- c. Métal / plastique

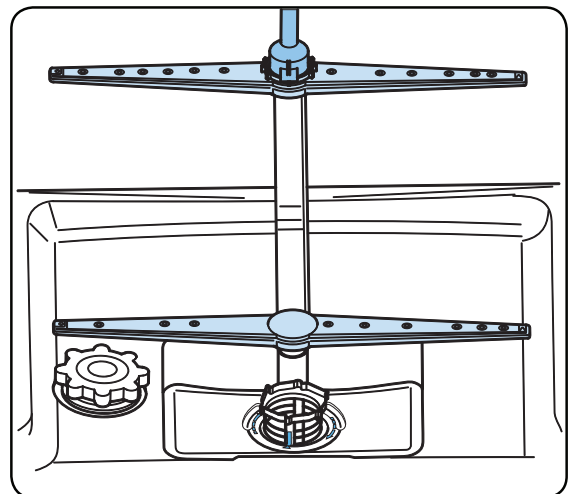


### BRAS D'ASPERSION

Les bras gicleurs doivent être régulièrement retirés et nettoyés pour éliminer toute accumulation d'eau dure.

Pour retirer le bras d'aspersion supérieur, maintenez l'écrou au centre et faites tourner le bras d'aspersion dans le sens antihoraire.

Pour retirer le bras gicleur inférieur, tirez-le doucement vers le haut.



## QUESTIONS FRÉQUEMMENT POSÉES

### **Quels sont la puissance et les amplitudes standard utilisés?**

Les informations relatives aux watts et aux ampères se trouvent sur la plaque signalétique.

### **Mon adaptateur de robinet ne convient pas. Pourquoi?**

Nos unités sont conçues pour s'adapter aux robinets nord-américains standard.

### **Puis-je rendre mon lave-vaisselle portable intégré?**

Veillez consulter votre manuel du propriétaire pour connaître les spécifications de l'espace nécessaire entre l'unité et chaque mur adjacent.

### **Dois-je mettre du liquide de rinçage?**

Un produit de rinçage n'est pas nécessaire, mais il est recommandé. Notez que si vous n'utilisez pas de produit de rinçage, bien que l'unité continue de fonctionner, le voyant du produit de rinçage reste allumé.

### **Mon appareil ne se vide pas, que dois-je faire?**

Assurez-vous que les filtres et la zone de drainage ne sont pas obstrués.

### **Mon appareil ne passe pas par les cycles que dois-je faire?**

Essayez de régler l'appareil sur une température élevée. L'unité peut prendre jusqu'à 2 heures pour chauffer l'eau froide en fonction du réglage de température.

### **Mon panneau de contrôle bouillonne y a-t-il un problème?**

Une couche de protection en plastique protège votre panneau de commande pendant le transport. Cela doit être supprimé lors de l'installation.

## DÉPANNAGE

### Aucune puissance

- Un fusible est peut-être grillé ou le disjoncteur s'est déclenché
- Surtension
- La fiche n'est pas complètement insérée dans la prise murale
- Porte mal fermée

### L'eau n'est pas évacuée du lave-vaisselle

- Tuyau de vidange plié
- Filtre obstrué
- Dysfonctionnement de la pompe de vidange

### Détergent laissé dans le distributeur

- Vaisselle empêchant le distributeur de s'ouvrir complètement; l'unité peut être surchargée

### Mousse laissée dans l'appareil

- Trop de détergent ou mauvais type de détergent
- Trop de produit de rinçage

### Film blanc ou trouble sur la vaisselle ou la cuve intérieure

- Minéraux d'eau dure
- Trop de détergent
- Pas assez de produit de rinçage

### Bruit à l'intérieur de la baignoire pendant la course

- Le bras d'aspersion heurte un article dans le panier
- Un article est tombé du panier et se trouve au fond de la cuve de lavage

### La vaisselle n'est pas propre

- Les plats ont été mal chargés
- Le programme de lavage n'était pas assez puissant
- Pas assez de détergent
- Des articles bloquent le bras gicleur; l'unité peut être surchargée
- Filtre obstrué

### Les plats ne sèchent pas

- Les plats ont été mal chargés
- Trop de plats étaient chargés
- Pas assez de produit de rinçage
- Vaisselle enlevée trop rapidement

## GARANTIE LIMITÉE « À DOMICILE »

Cet appareil de qualité est garanti exempt de tout vice de matière première et de fabrication, s'il est utilisé dans les conditions normales recommandées par le fabricant.

Cette garantie n'est offerte qu'à l'acheteur initial de l'appareil vendu par Danby Products Limited (Canada) ou Danby Products Inc. (É.-U.) (ci-après « Danby ») ou par l'un de ses distributeurs agréés et elle ne peut être transférée.

### CONDITIONS

Les pièces en plastique sont garanties pendant trente (30) jours seulement à partir de la date de l'achat, sans aucune prolongation prévue.

**Premiers 12 mois** Pendant les premiers **douze (12) mois**, toutes les pièces fonctionnelles de ce produit qui s'avèrent défectueuses seront réparées ou remplacées, selon le choix du garant, sans frais à l'acheteur initial.

**Pour bénéficiaire du service** S'adresser au détaillant qui a vendu l'appareil, ou à la station technique agréée de service la plus proche, où les réparations doivent être effectuées par un technicien qualifié. Si les réparations sont effectuées par quiconque autre que la station de service agréée ou à des fins commerciales, toutes les obligations de Danby en vertu de cette garantie seront annulées.

**Limites de l'entretien à domicile** Danby se réserve le droit de limiter les limites de « Service au domicile » à proximité d'un dépôt de service agréé. Pour tout appareil nécessitant le service hors des limites de "Service à domicile" il sera la responsabilité du consommateur de transporter à ses frais au point d'achat d'origine ou un dépôt de service pour la réparation. Si l'appareil est installé à plus de **100 kilomètres (62 milles)** du centre de service le plus proche, il doit être livré à l'atelier de réparation autorisé par Danby le plus proche, car l'entretien doit uniquement être réalisé par un technicien qualifié et certifié pour effectuer un entretien couvert par la garantie de Danby.

Les frais de transport entre votre domicile et le lieu de l'entretien ne sont pas couverts par la présente garantie et doivent être acquittés par l'acheteur.

Aucune partie de la garantie ne prévoit implicitement que le fabricant sera tenu responsable des dommages subis par les aliments ou d'autres types de contenu, qu'ils soient causés par la défectuosité de l'appareil ou par son usage adéquat ou inadéquat.

### EXCLUSIONS

En vertu de la présente, il n'existe aucune autre garantie, condition ou représentation, qu'elle soit exprimée ou tacite, de façon manifeste ou intentionnelle, par Danby ou ses distributeurs agréés. De même, sont exclues toutes les autres garanties, conditions ou représentations, y compris les garanties, conditions ou représentations en vertu de toute loi régissant la vente de produits ou de toute autre législation ou règlement semblable. En vertu de la présente, Danby ne peut être tenue responsable en cas de blessures corporelles ou de dégâts matériels, y compris à l'appareil, quelle qu'en soit la cause. Danby ne peut pas être tenue responsable des dommages indirects dus au fonctionnement défectueux de l'appareil. En achetant l'appareil, l'acheteur accepte de tenir sans reproche et de décharger Danby de toute responsabilité en cas de réclamation pour toute blessure corporelle ou tout dégât matériel causé par cet appareil.

### CONDITIONS GÉNÉRALES

La garantie ou assurance ci-dessus ne s'applique pas si les dégâts ou réparations sont dus aux cas suivants :

- 1) Panne de courant.
- 2) Dommages subis pendant le transport ou le déplacement de l'appareil.
- 3) Alimentation électrique incorrecte (tension faible, câblage défectueux, fusibles incorrects).
- 4) Accident, modification, emploi abusif ou incorrect de l'appareil tel qu'une circulation d'air inadéquate dans la pièce ou des conditions de fonctionnement anormales (température extrêmement élevée ou basse).
- 5) Utilisation dans un but commercial ou industriel (à savoir, si l'appareil n'est pas installé dans un domicile résidentiel).
- 6) Incendie, dommages causés par l'eau, le vol, la guerre, une émeute, des hostilités, ou en cas de force majeure (ouragan, inondation, etc.).
- 7) Visites d'un technicien pour expliquer le fonctionnement de l'appareil au propriétaire.
- 8) Installation inappropriée (par exemple, encastrement d'un appareil autoportant, ou utilisation extérieure d'un appareil non conçu à cet effet, y compris, mais sans s'y limiter : les garages, les patios, les porches ou ailleurs, qui ne sont pas correctement isolés ou climatisés).

La preuve de la date d'achat sera requise pour les réclamations de garantie; conserver la facture de vente. Dans le cas où un service de garantie est requis, présentez la preuve d'achat à notre dépôt de service agréé.

### Service sous garantie

Service au domicile

Danby Products Limited  
PO Box 1778, Guelph, Ontario, Canada N1H 6Z9  
Téléphone : (519) 837-0920 Télécopieur : (519) 837-0449

**1-800-263-2629**

02/18

Danby Products Inc.  
PO Box 669, Findlay, Ohio, U.S.A. 45840  
Téléphone : (419) 425-8627 Télécopieur : (419) 425-8629

# Bienvenido a la familia Danby.

Estamos orgullosos de nuestros productos de calidad y creemos en un servicio confiable. Le sugerimos que lea este manual del propietario antes de enchufar su nuevo electrodoméstico, ya que contiene información importante de funcionamiento, información de seguridad, solución de problemas y consejos de mantenimiento para garantizar la confiabilidad y longevidad de su electrodoméstico.

Tiene derecho a la cobertura de la garantía como se describe en el manual del propietario que se proporciona con su nuevo electrodoméstico.

1. Escriba la información de su aparato a continuación. **Debe conservar el comprobante de compra original para validar y recibir los servicios de garantía.**
2. Registre su producto en línea y reciba una **EXTENSIÓN DE GARANTÍA GRATUITA DE 2 MESES** después de completar una encuesta sobre el producto, en [www.danby.com/support/product-registration/](http://www.danby.com/support/product-registration/)

**Número de modelo:** \_\_\_\_\_

**Número de serie:** \_\_\_\_\_

**Fecha de compra:** \_\_\_\_\_

## Necesitas ayuda?

1. Lea el manual del propietario para obtener ayuda con la instalación, resolución de problemas y asistencia de mantenimiento.
2. Visite [www.Danby.com](http://www.Danby.com) para acceder a herramientas de autoservicio, preguntas frecuentes y mucho más buscando su número de modelo en la barra de búsqueda.
3. Para obtener el **servicio al cliente más rápido**, complete el formulario web en [www.danby.com/support](http://www.danby.com/support). Su envío irá directamente a un experto en su dispositivo en particular. Nuestros tiempos de respuesta promedio son entre 20 minutos y 2 horas, durante el horario comercial EST.
4. Llame al **1-800-263-2629**; tenga en cuenta que durante las horas pico, los tiempos de espera pueden exceder una hora.





## Importantes Instrucciones de Seguridad

### LEA Y SIGA TODAS LAS INSTRUCCIONES DE SEGURIDAD

### LA CONECCIÓN A TIERRA

Este artefacto debe ser conectado a tierra. En caso de un corto circuito eléctrico, la conexión a tierra reduce el riesgo de una descarga eléctrica proporcionando un cable de retorno para la corriente eléctrica.

Este aparato está equipado con un cable que tiene un cable de puesta a tierra y un enchufe de conexión a tierra. El cable de alimentación debe estar enchufado en un tomacorriente que esté debidamente conectado a tierra. Si el tomacorriente es un tomacorriente de pared de 2 terminales, es su responsabilidad reemplazarlo por un tomacorriente de 3 clavijas con conexión a tierra adecuada. La placa de serie indica el voltaje y frecuencia que se debe utilizar para el aparato.

**ADVERTENCIA** - El uso incorrecto del enchufe de conexión a tierra puede resultar en un riesgo de descarga eléctrica. Consulte a un electricista o agente de servicio calificado si las instrucciones de conexión a tierra no se entienden completamente o si existe duda sobre si el aparato está debidamente conectado a tierra.

### NO UTILICE CABLES DE EXTENSIÓN

No conecte el aparato a los cables de extensión ni con otro aparato en la misma toma de corriente. No empalme el cable de alimentación. No corte ni quite en ningún caso la tercera clavija de tierra del cable de alimentación.

Si el cable de alimentación está dañado, debe ser reemplazado por el fabricante, su agente de servicio o persona calificada similar para evitar riesgos.

Asegúrese de que los componentes se reemplacen con componentes similares y que el servicio sea realizado por personal de servicio autorizado por la fábrica para minimizar el riesgo de encendido debido a piezas incorrectas o servicio inadecuado.

Este aparato no se destina para utilizarse por personas (incluyendo niños) cuyas capacidades físicas, sensoriales o mentales sean diferentes o estén reducidas, o carezcan de experiencia o conocimiento, a menos que dichas personas reciban una supervisión o capacitación para el funcionamiento del aparato por una persona responsable de su seguridad.

### REQUERIMIENTOS DE SEGURIDAD

- Los niños deben ser supervisados para asegurarse de que no jueguen con el aparato.
- No se pare, no se siente ni se apoye en la puerta o en el estante para platos. No coloque objetos pesados sobre la puerta cuando esté abierta.
- No toque el elemento calefactor durante o inmediatamente después del uso.
- No opere el aparato a menos que todos los paneles del gabinete estén correctamente instalados.
- No manipule indebidamente los controles.
- Abra la puerta con cuidado durante la operación, el agua puede gotear. Proceda con precaución ya que el agua puede estar caliente.
- No lave los artículos de plástico a menos que estén marcados como aptos para lavavajillas.
- Use solo detergentes y aditivos de enjuague diseñados para un lavaplatos automático.
- Nunca use jabón, detergente para la ropa o detergente para lavarse las manos en el lavaplatos.
- Mantenga el detergente y el enjuague fuera del alcance de los niños.
- Verifique que el dispensador de detergente esté vacío después de completar el ciclo de lavado.
- Los detergentes para lavavajillas son muy alcalinos y pueden ser extremadamente peligrosos si se ingieren. Evitar el contacto con la piel y los ojos.
- Retire la puerta del aparato cuando retire del servicio o deséchelo.
- Use el lavavajillas solo para el propósito para el que fue diseñado.

### ADVERTENCIA - ¡El gas hidrógeno es explosivo!

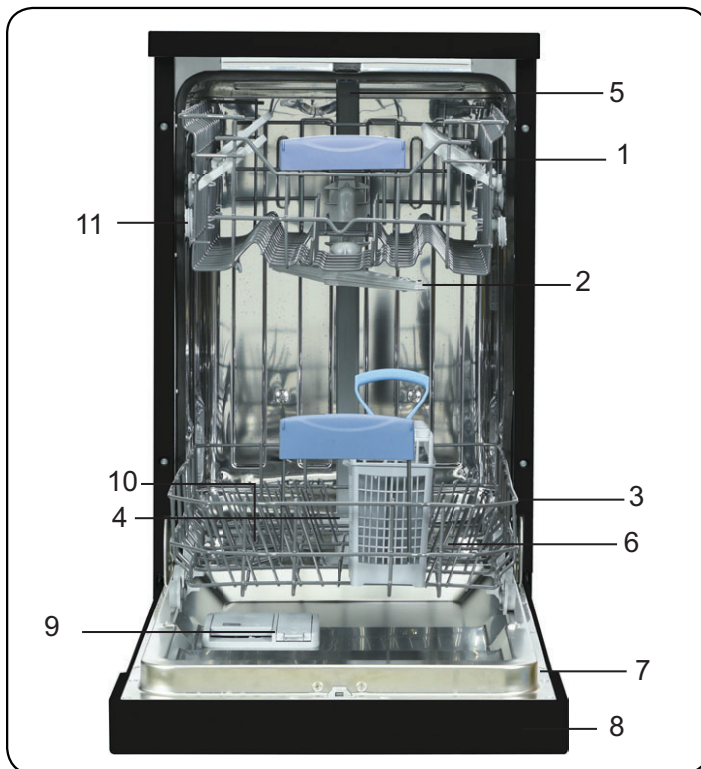
El gas de hidrógeno se puede producir en un sistema de agua caliente que no se ha utilizado durante un largo período de tiempo. Si el sistema de agua caliente no se ha utilizado en dos semanas o más, abra todos los grifos de agua caliente y deje que el agua fluya durante varios minutos antes de usar el lavaplatos. Esto liberará cualquier gas de hidrógeno acumulado. No fume ni use una llama abierta durante este tiempo.

**¡GUARDE ESTAS INSTRUCCIONES!**

# INSTRUCCIONES DE OPERACIÓN

## CARACTERÍSTICAS

1. Cesta superior con rejillas
2. Brazo rociador superior
3. Cesta inferior
4. Brazo rociador inferior
5. Boquilla superior (según modelo)
6. Filtros
7. La placa de características
8. Panel de control
9. Dosificador de detergente y abrillantador
10. Dispensador de sal (según modelo)
11. Pestillo de la pista de la cesta superior
12. Unidad de secado



Capacidad de carga	10 cubiertos
Presión del agua	43.5 - 145 PSI (0.3 - 10 bars)
Requisitos eléctricos	120 V; 12 A; 60 Hz
Poder total	1400 W
Poder del calentador	1100 W

## CARGAR EL LAVAVAJILLAS

- Este aparato tiene capacidad para 10 cubiertos completos.
- Raspe todos los platos para eliminar cualquier residuo de comida grande antes de colocarlos en el lavavajillas.
- Solo coloque platos en este lavavajillas que estén marcados como aptos para lavavajillas.
- Use un detergente suave.

### Artículos que no deben colocarse en el lavavajillas

- Cubiertos con mangos de madera, porcelana china o nácar.
- Artículos de plástico que no son resistentes al calor.
- Artículos que han sido reparados con pegamento que no sea resistente al calor.
- Artículos de peltre, cobre o acero.
- Platos de madera.
- Artículos fabricados con fibras sintéticas.
- Los artículos con patrones vidriados pueden desteñirse si se lavan a máquina con frecuencia.

### Consejos para una carga eficiente

- Cargue los artículos huecos como tazas, vasos o sartenes con la abertura hacia abajo para que el agua no se acumule en el recipiente.
- Los artículos no deben estar unos dentro de otros ni cubrirse entre sí.
- Para evitar dañar las gafas, no deben tocarse.
- Los artículos afilados de los cubiertos, como los cuchillos de trinchar, deben cargarse horizontalmente en la canasta para evitar lesiones al descargarlos.
- No sobrecargue el aparato.

## CARGA DE LA CESTA DE CUBIERTOS

Los cubiertos deben colocarse en la canasta para cubiertos con las asas hacia abajo. Asegúrese de que los cubiertos no se encajen entre sí, ya que esto puede afectar el rendimiento de la limpieza.

Los artículos afilados o puntiagudos deben colocarse en la canasta de cubiertos con las puntas hacia abajo para evitar lesiones al descargarlos.

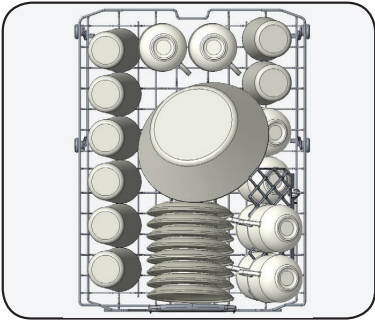
No coloque artículos demasiado pequeños en el lavavajillas, ya que podrían caer a través de la canasta y afectar el funcionamiento del aparato.

# INSTRUCCIONES DE OPERACIÓN

## CARGANDO LA CESTA SUPERIOR

La canasta superior está diseñada para tazas, vasos, platos pequeños, tazones y artículos de plástico marcados como aptos para lavavajillas.

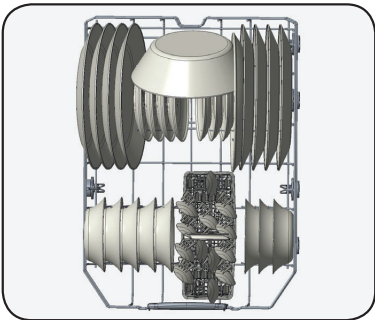
Asegúrese de que los platos cargados no interfieran con la rotación del brazo rociador ubicado en la parte inferior de la canasta superior.



## CARGA DE LA CESTA INFERIOR

El cesto inferior está diseñado para platos de cena, tazones de sopa, platos, ollas, tapas, cazuelas y platos.

Cargue artículos grandes como sartenes y ollas que deben cargarse con los lados abiertos hacia abajo.



## CANASTA SUPERIOR

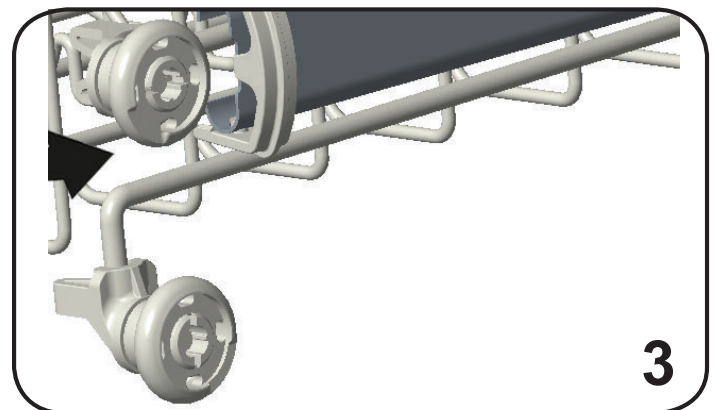
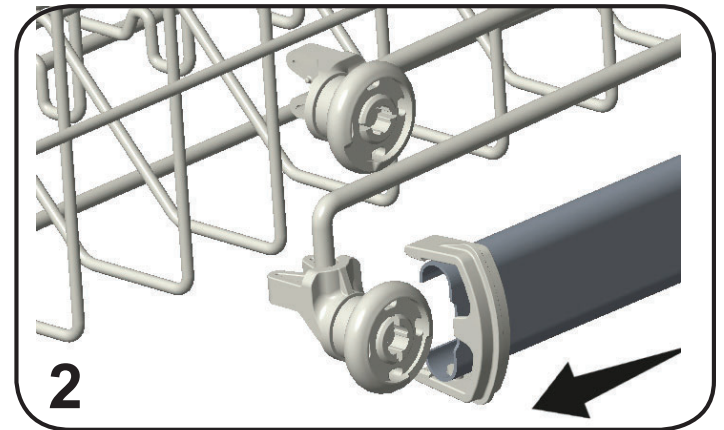
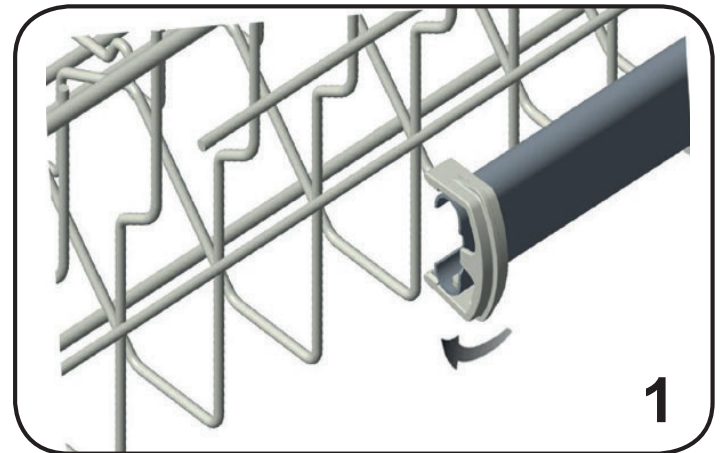
El cesto superior se puede usar para tazas y vasos adicionales.



## ALTURA DE LA CESTA SUPERIOR

La altura de la canasta superior se puede ajustar para dejar espacio para artículos más grandes.

1. Suelte los pestillos de los lados izquierdo y derecho de la canasta superior, pero girándolos en el sentido de las agujas del reloj.
2. Extraiga completamente la canasta superior.
3. Reemplace la canasta superior en el riel superior.



# INSTRUCCIONES DE OPERACIÓN

## DISPENSADOR DE DETERGENTE

El dosificador de detergente debe llenarse antes del inicio de cada ciclo de lavado. Agregue el detergente justo antes de comenzar el ciclo de lavado. Agregar el detergente al aparato demasiado pronto puede hacer que se humedezca y que no se disuelva correctamente.

Empuje el pestillo para abrir el dispensador.

Agregue la cantidad recomendada de detergente al componente detergente principal. El dispensador de detergente tiene líneas en el interior para indicar las cantidades de detergente.

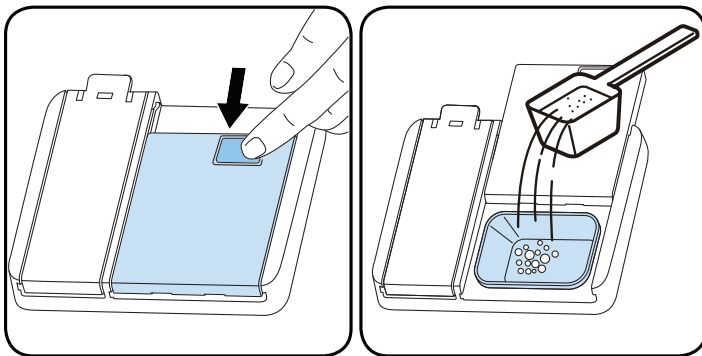
Si los platos están muy sucios, se puede agregar más detergente al gabinete principal según sea necesario. No utilice demasiado detergente, ya que puede dejar residuos en los platos.

Asegúrese de que el dispensador de detergente esté cerrado antes de cerrar la puerta.

El dosificador de detergente siempre estará abierto y vacío al final de un programa de lavado.

Es posible que las pastillas de detergente no se disuelvan por completo durante un programa corto. Utilice únicamente pastillas de detergente con programas más largos para evitar residuos en la vajilla.

Siga siempre las instrucciones incluidas con el detergente para obtener mejores resultados.

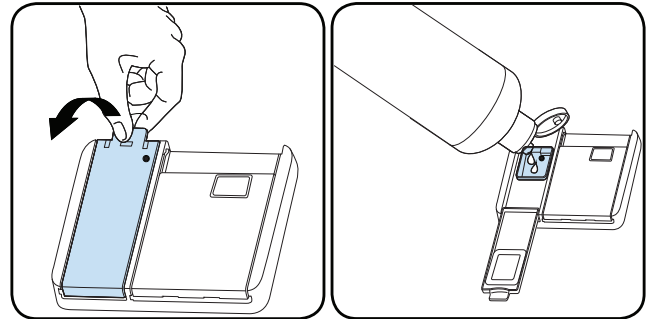


## DISPENSADOR DE ABRILLANTADOR

Se puede usar abrillantador para evitar que se formen gotas de agua o rayas en los platos. El abrillantador se liberará automáticamente durante el enjuague final. Este lavavajillas está diseñado para usar solo abrillantador líquido. No use un abrillantador en polvo ya que obstruirá la abertura del depósito. No coloque ninguna otra sustancia en el dosificador de abrillantador, ya que podría dañar el lavavajillas.

La luz indicadora de abrillantador en el panel de control se iluminará cuando el dosificador de abrillantador esté vacío. Llene el dispensador y asegúrese de que la tapa esté cerrada antes de cerrar la puerta.

No coloque detergente en el dosificador de abrillantador, ya que esto puede dañarlo y dejar una película de jabón en los platos.



Para cambiar la cantidad de abrillantador que se dispensa con cada lavado, siga los pasos a continuación.

1. Apague el lavavajillas.
2. Mantenga presionado el botón de programa.
3. Encienda el lavavajillas mientras mantiene presionado el botón de programa hasta que aparezca "rA" en la pantalla.
4. La pantalla mostrará el nivel actual según la tabla siguiente. El nivel predeterminado de fábrica es r4. Presione el botón de programa para elegir el nivel deseado.
5. Apague el lavavajillas para confirmar la configuración.

Nivel	Dosis
r1	no rinse aid
r2	1 dosis
r3	2 dosis
r4	3 dosis
r5	4 dosis

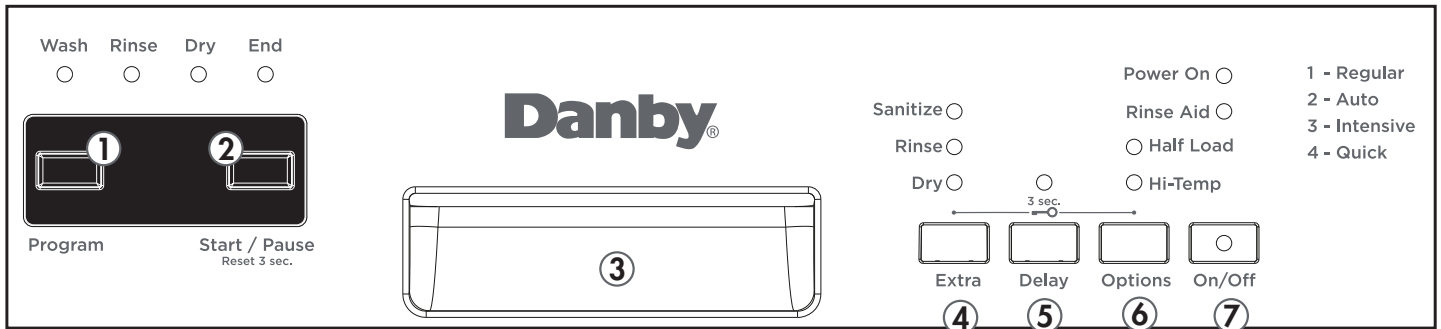
**Nota:** Si los platos no se secan correctamente o tienen manchas, aumente el nivel.

Si hay manchas azules en los platos, disminuya el nivel.



# INSTRUCCIONES DE OPERACIÓN

## PANEL DE CONTROL - BOTONES



- 1. Botón de programa:** presione para seleccionar el programa deseado.
- 2. Botón de inicio / pausa:**
  - Presione para iniciar el programa deseado.
  - Presione para pausar un programa en ejecución. Presione nuevamente para reiniciar el programa.
  - Mantenga pulsado durante 3 segundos para cancelar un programa que está en funcionamiento.
- 3. Encargarse de**
- 4. Botón adicional:** presione para seleccionar funciones adicionales como desinfectar, enjuague adicional y secado adicional.
  - **Desinfectar:** aumenta la temperatura del agua en el enjuague final.
  - **Enjuague adicional:** agrega un ciclo de enjuague adicional al programa
  - **Extra seco:** agrega un ciclo de secado adicional al programa
- 5. Botón de retardo:** presione para configurar la función de retardo de tiempo.
- 6. Botón de opciones:** presione para seleccionar las funciones de media carga y alta temperatura.
  - **Media carga:** se utiliza para hacer funcionar el lavavajillas cuando solo está medio lleno.
  - **Alta temperatura:** aumentan tanto la temperatura del agua como el tiempo de lavado.
- 7. Botón de encendido:** se usa para encender o apagar el lavavajillas.

# INSTRUCCIONES DE OPERACIÓN

## TABLA DE PROGRAMAS Y OPCIONES

- La duración del programa puede cambiar según la cantidad de platos, la temperatura del agua, la temperatura ambiente y las funciones adicionales seleccionadas.
- La etiqueta de uso de energía se basa en el programa regular. Es el más eficiente en términos de su consumo combinado de energía y agua para limpiar platos con suciedad normal.
- Utilice detergente en polvo únicamente para programas cortos.
- Los programas cortos no incluyen el secado.

Programas		Duración (minutos)	Descripción
1. Regular	Sucio	140	Programa estándar para uso diario y regular para lavar una carga de platos con suciedad normal.
	Limpio	105	
2. Auto	Sucio	155	Este programa ajusta automáticamente la temperatura, la cantidad de agua, el consumo de energía y la duración del programa.
	Limpio	110	
3. Intensivo		130	Apto para platos muy sucios.
4. Rápido		50	Adecuado para platos diarios con suciedad normal con un programa más rápido.

## INICIAR UN CICLO DE LAVADO

1. Cargue el lavavajillas según las instrucciones de carga. Asegúrese de que la parte superior e inferior de los brazos puedan girar libremente.
2. Agregue detergente y abrillantador según sea necesario.
3. Cierre la puerta y presione el botón de encendido para encender el lavavajillas.
4. Presione el botón de programa repetidamente hasta que el número del programa deseado aparezca en la pantalla. Consulte la tabla de programas anterior.
5. Presione el botón adicional para agregar las funciones adicionales que desee al programa.
6. Las funciones adicionales se pueden cancelar presionando el botón adicional seis veces.
7. Presione el botón de inicio / pausa para comenzar el programa.

## CAMBIAR EL PROGRAMA A MEDIO CICLO

Un programa solo se puede cambiar si ha estado funcionando durante un tiempo corto; de lo contrario, es posible que ya se haya liberado el detergente y que el lavavajillas ya haya drenado el agua de lavado. Si este es el caso, es necesario reiniciar el lavavajillas y volver a llenar el dispensador de detergente.

El programa se puede cambiar a mitad del ciclo siguiendo los pasos a continuación:

1. Presione el botón de inicio / pausa para pausar el programa.
2. Presione el botón de programa para seleccionar el programa deseado.
3. Presione el botón de inicio / pausa para iniciar el nuevo programa.



# INSTRUCCIONES DE OPERACIÓN

## AGREGAR UN PLATO OLVIDADO

Un plato olvidado se puede agregar a un ciclo en funcionamiento en cualquier momento antes de que se abra el dispensador de detergente. Si ya se ha vertido detergente en el aparato, se recomienda no añadir más platos, ya que no recibirán una limpieza adecuada.

Para agregar un plato:

1. Abra la puerta ligeramente y espere unos segundos hasta que la acción de lavado se detenga antes de abrirla por completo.
2. Agrega el artículo olvidado.
3. Cierre la puerta firmemente para trabar y presione el botón Inicio / Pausa / Cancelar para reanudar el programa. El programa se reanudará después de una pausa de diez segundos.

**Precaución:** Espere hasta que la acción de lavado se detenga por completo antes de abrir la puerta. El agua caliente puede salpicar del lavavajillas y causar lesiones.

## BLOQUEO INFANTIL

El bloqueo para niños bloqueará el panel de control para que no se pueda presionar ningún botón.

Mantenga presionado el botón adicional y el botón de opciones al mismo tiempo durante 3 segundos. "CL" aparecerá en la pantalla para mostrar que el bloqueo para niños está activo.

Mantenga presionado el botón adicional y el botón de opciones al mismo tiempo durante 3 segundos para desactivar el bloqueo para niños. "CL" parpadeará dos veces en la pantalla y luego desaparecerá.

## TIEMPO DE RETARDO

Se puede usar un retraso de tiempo para configurar el lavavajillas para que funcione más tarde, como durante la noche o fuera de las horas pico.

### Para configurar la función de retardo de tiempo:

1. Presione el botón de retraso repetidamente para configurar el número de horas para retrasar el inicio del programa.
2. Cada pulsación de tecla aumenta el tiempo establecido en 1 hora hasta un máximo de 19 horas.
3. Presione el botón de inicio / pausa para confirmar la selección.

### Para cancelar la función de retardo de tiempo:

Mantenga presionado el botón de inicio / pausa durante 3 segundos para cancelar la función de retardo de tiempo.

Si la puerta del lavavajillas se abre mientras se establece un temporizador de retardo y se cierra en 4 segundos, el temporizador de retardo continuará según lo programado.

Si la puerta está abierta durante más de 4 segundos, el temporizador de retardo se detendrá. Presione el botón de inicio / pausa para reanudar el temporizador de retardo.

## CUIDADO Y MANTENIMIENTO

### LIMPIEZA

- Asegúrese de que el lavavajillas esté desenchufado y las líneas de agua cerradas antes de realizar cualquier limpieza o mantenimiento.
- Después de cada lavado, deje la puerta ligeramente abierta para que la humedad y los olores no queden atrapados dentro del aparato.
- Utilice únicamente un paño suave y un detergente suave para limpiar el aparato. No utilice nunca disolventes o agentes de limpieza abrasivos, ya que pueden dañar el aparato.
- Para eliminar las manchas de agua del interior del aparato, utilice un paño suave humedecido con una pequeña cantidad de vinagre.
- Si el aparato no se va a utilizar durante un período prolongado, se recomienda ejecutar un ciclo de lavado normal con el lavavajillas vacío y luego dejar la puerta abierta hasta que el interior del aparato esté completamente seco. Esto ayudará a que los sellos de la puerta duren más tiempo y evitará que se formen olores dentro del electrodoméstico.
- Limpie los sellos de la puerta con una esponja húmeda con regularidad para evitar olores de las partículas de alimentos que pueden quedar atrapados en el sello de la puerta.
- Se recomienda limpiar el filtro y los brazos rociadores al menos una vez al mes.

### CÓDIGOS DE ERROR

#### FF - advertencia de entrada de agua

- El agua no puede entrar en la máquina, verifique la entrada de agua

#### F1 - advertencia de desbordamiento

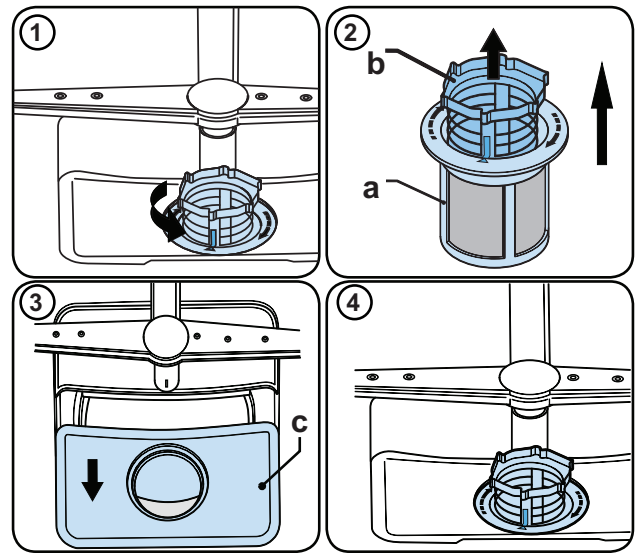
- El agua no puede salir de la máquina, verifique el drenaje de agua, tenga cuidado ya que el agua puede escaparse de la máquina

Si el dispositivo muestra algún código de error, un reinicio de energía puede resolver el problema. Desenchufe el aparato, espere aproximadamente 5 minutos y luego vuelva a enchufarlo.

### FILTRAR

Limpie los filtros con agua tibia con regularidad para evitar la acumulación de olores dentro del lavavajillas.

- a. Micro filtro
- b. Filtro grueso
- c. Metal / plástico

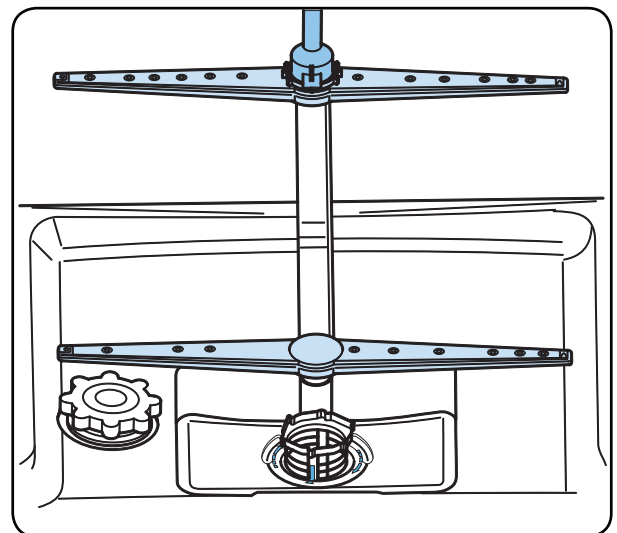


### BRAZO ROCIADOR

Los brazos rociadores deben retirarse y limpiarse periódicamente para eliminar cualquier acumulación de agua dura.

Para quitar el brazo rociador superior, sostenga la tuerca en el centro y gire el brazo rociador en sentido antihorario.

Para quitar el brazo rociador inferior, tire suavemente hacia arriba.



## **PREGUNTAS FRECUENTES**

### **¿Cuáles son las potencias y amperios estándar que se utilizan?**

La información relativa a los vatios y amperios se puede encontrar en la placa de clasificación.

### **Mi adaptador de grifo no encaja. ¿Por qué?**

Nuestras unidades están diseñadas para adaptarse a los grifos estándar de América del Norte.

### **¿Puedo incorporar mi lavavajillas portátil?**

Consulte el manual del propietario para obtener especificaciones sobre cuánto espacio se necesita entre la unidad y cada pared adyacente.

### **¿Tengo que ponerme abrillantador?**

No se necesita abrillantador, sin embargo se recomienda. Tenga en cuenta que si no usa abrillantador, aunque la unidad seguirá funcionando, la luz indicadora de enjuague permanecerá encendida.

### **Mi unidad no drena, ¿qué debo hacer?**

Verifique para asegurarse de que los filtros y el área de drenaje no estén obstruidos.

### **Mi unidad no está pasando por los ciclos, ¿qué debo hacer?**

Intente configurar la unidad a una temperatura alta. La unidad puede tardar hasta 2 horas en calentar el agua fría según el ajuste de temperatura.

### **Mi panel de control está burbujeando, ¿hay algún problema con él?**

Hay una capa protectora de plástico que protege su panel de control durante el transporte. Esto debe eliminarse durante la instalación.

## **SOLUCIÓN SUGERIDA**

### **Ningún poder**

- Es posible que se haya fundido un fusible o que se haya disparado el disyuntor
- Sobrecarga de energía
- El enchufe no está completamente insertado en el tomacorriente de pared
- Puerta no cerrada correctamente

### **Agua no drenada del lavavajillas**

- Doblez en la manguera de desagüe
- Filtro obstruido
- Mal funcionamiento de la bomba de drenaje

### **Detergente dejado en el dosificador**

- Platos que impiden que el dispensador se abra por completo; la unidad puede estar sobrecargada

### **Quedan espuma en el aparato**

- Demasiado detergente o tipo incorrecto de detergente
- Demasiado abrillantador

### **Película blanca o turbidez en los platos o la tina interior**

- Minerales de agua dura
- Demasiado detergente
- No hay suficiente abrillantador

### **Ruido dentro de la bañera mientras se ejecuta**

- El brazo rociador golpea un artículo en la canasta
- Se ha caído un artículo de la cesta y está en el fondo de la tina de lavado

### **Los platos no están limpios**

- Los platos se cargaron incorrectamente
- El programa de lavado no fue lo suficientemente potente
- No hay suficiente detergente
- Los artículos bloquean el brazo rociador; la unidad puede estar sobrecargada
- Filtro obstruido

### **Los platos no se secan**

- Los platos se cargaron incorrectamente
- Se cargaron demasiados platos
- No hay suficiente abrillantador
- Los platos se retiran demasiado rápido

## GARANTÍA LIMITADA "A DOMICILIO"

Este producto de calidad está garantizado contra defectos de fabricación, incluyendo partes y mano de obra, siempre y cuando la unidad se utilice bajo las condiciones normales de funcionamiento para las que fue diseñado. Esta garantía está solamente disponible para la persona que haya comprado originalmente esta unidad directamente de Danby Products Limited (Canada) o Danby Products Inc. (U.S.A.) (en adelante "Danby") o uno de sus distribuidores autorizados, y no es transferible.

### CONDICIONES DE LA GARANTÍA

Las piezas plásticas, se autorizan por treinta (30) días solamente a partir de la fecha de la compra, sin las extensiones proporcionadas.

**Primeros 12 meses** Durante los primeros **doce (12) meses**, cualquier parte en buen estado de este producto que resulte defectuosa, incluyendo cualquier sistema sellado, será reparado o reemplazado, a opción del fabricante, sin cargo para el comprador ORIGINAL.

**Para obtener servicio** Comuníquese con el distribuidor donde haya comprado la unidad, o llame al Taller de Servicio Autorizado más cercano, donde debe ser reparada por un técnico calificado. Si esta unidad es reparada en otro lugar que no sea un Taller de Servicio Autorizado, o si la unidad se utiliza para aplicaciones comerciales, Danby no se hará responsable de ninguna forma y la garantía será anulada.

**Límites del servicio técnico a domicilio** Danby se reserva el derecho de limitar la cobertura de "Servicio en Domicilio" sujeto a la proximidad de un **Taller de Servicio Autorizado**. Para todo artefacto que requiera servicio fuera del área limitada de "Servicio en Domicilio", el cliente será responsable por transportar dicho artefacto hasta el Taller de Servicio Autorizado más cercano. Si el electrodoméstico está instalado en un lugar que se encuentra a **100 kilómetros (62 millas)** o más del centro de servicios más cercano, se debe llevar la unidad al Centro de servicios Danby autorizado más cercano, ya que dicho servicio sólo puede realizarlo un técnico calificado y certificado por Danby para prestar servicios de garantía.

Los cargos por transporte desde y hacia el lugar en que se efectúe el servicio técnico no están cubiertos por esta garantía y son de responsabilidad del comprador.

Nada dentro de esta garantía implica que Danby será responsable por cualquier daño que hayan sufrido los alimentos u otros contenidos de este aparato, ya sea debido a un defecto del aparato, o su uso, adecuado o inadecuado.

### EXCLUSIONES

Salvo lo aquí indicado por Danby, no existen otras garantías, condiciones o representaciones, explícitas o implícitas, concretas o intencionales por parte de Danby o sus distribuidores autorizados y todas las demás garantías, condiciones o representaciones, incluyendo cualquier garantía, condiciones o representaciones bajo cualquier Acta de Venta de Productos o legislación o estatuto similar, quedan de esta forma expresamente excluidas. **Salvo lo aquí indicado, Danby no serán responsables por ningún daño a personas o bienes, incluyendo la propia unidad, sin importar su causa, o de ningún daño indirecto causado por el desperfecto de la unidad, y al comprar esta unidad, el comprador acepta por la presente, indemnizar y proteger a Danby contra cualquier reclamo por daños a personas o bienes causados por la unidad.**

### CONDICIONES GENERALES

No se considerará ninguna de estas garantías o seguros cuando el daño o la necesidad de reparación sea el producto de los siguientes casos:

- 1) Falla del suministro eléctrico.
- 2) Daños en tránsito o durante el transporte de la unidad.
- 3) Alimentación incorrecta, como bajo voltaje, instalación eléctrica defectuosa o fusibles inadecuados.
- 4) Accidente, modificación, abuso o uso incorrecto del artefacto, tal como insuficiente ventilación del ambiente o condiciones de operación anormales (temperatura ambiente extremadamente alta o baja).
- 5) Utilización comercial o industrial (v.g., si el electrodoméstico no está instalado en una vivienda particular).
- 6) Incendio, daños por agua, robo, guerra, disturbios, hostilidades, actos de fuerza mayor como huracanes, inundaciones, etc.
- 7) Pedidos de servicio debido a desinformación del usuario.
- 8) Instalación inadecuada (v.g., instalación empotrada de un electrodoméstico diseñado como unidad independiente o uso de un electrodoméstico al aire libre que no esté aprobado para dicho fin, incluyendo pero no limitado a: garajes, patios, porches o en cualquier lugar que no esté bien aislado o controlado por el clima).

Se requerirá una prueba de la fecha de compra para reclamaciones de garantía; Retener las facturas de venta. En el caso de que se requiera servicio de garantía, presente el comprobante de compra a nuestro depósito de servicio autorizado.

**Servicio de Garantía**  
Servicio en Domicilio

Danby Products Limited  
PO Box 1778, Guelph, Ontario, Canada N1H 6Z9  
Telephone: (519) 837-0920 FAX: (519) 837-0449

**1-800-263-2629**  
04/17

Danby Products Inc.  
PO Box 669, Findlay, Ohio, U.S.A. 45840  
Telephone: (419) 425-8627 FAX: (419) 425-8629









Danby Products Limited, Guelph, ON, Canada N1H 6Z9  
Danby Products Inc., Findlay, Ohio, USA 45840