

Danby^{*} Designer^{*}

Do the right thing^{*}

OWNER'S MANUAL
MANUEL DU PROPRIÉTAIRE
MANUAL DEL PROPIETARIO

CHEST FREEZER Owner's Manual.....	1 - 8
CONGÉLATEUR HORIZONTAL Manuel du propriétaire.....	9 - 16
CONGELADOR HORIZONTAL Manual del propietario.....	17 - 24

MODEL • MODÈLE • MODELO

DCF100A1WDD



Welcome to the Danby family.

We are proud of our quality products and we believe in dependable service. We suggest that you read this owner's manual before plugging in your new appliance as it contains important operation information, safety information, troubleshooting, and maintenance tips to ensure the reliability and longevity of your appliance.

You are entitled to the warranty coverage as described in the owner's manual provided with your new appliance.

1. Please write down your appliance information below. **You must keep the original proof of purchase receipt to validate and receive warranty services.**
2. Register your product online and receive a **FREE 2 MONTH WARRANTY EXTENSION** after filling out a product survey, at www.danby.com/support/product-registration/

Model Number: _____

Serial Number: _____

Date of Purchase: _____

Need Help?

1. Read your Owner's Manual for installation help, troubleshooting, and maintenance assistance.
2. Visit www.Danby.com to access self-service tools, FAQs and much more by searching your model number in the search bar.
3. For the **Quickest Customer Service**, please fill out the web form at www.danby.com/support. Your submission will go directly to an expert on your particular appliance. Our average response times are between 20 minutes and 2 hours, during EST business hours.
4. Call **1-800-263-2629** - please note that during peak hours, hold times can exceed one hour.



Important Safety Information

READ AND FOLLOW ALL SAFETY INSTRUCTIONS

SAFETY REQUIREMENTS

DANGER: Risk of fire or explosion. Flammable refrigerant used. Do not puncture refrigerant tubing.

- Do not use mechanical devices to defrost refrigerator.
- Ensure that servicing is done by factory authorized service personnel, to minimize product damage or safety issues.
- If the power supply cord is damaged, it must be replaced by the manufacturer, its service agent or similar qualified person in order to avoid hazard.
- Consult repair manual or owner's guide before attempting to service this product. All safety precautions must be followed.
- Dispose of properly in accordance with federal or local regulations.
- Follow handling instructions carefully.
- Do not store explosive substances such as aerosol cans with a flammable propellant in this appliance.

WARNING: Keep ventilation openings, in the appliance enclosure or in the built-in structure, clear of obstruction.

WARNING: Do not use mechanical devices or other means to accelerate the defrosting process, other than those recommended by the manufacturer.

WARNING: Do not damage the refrigerant circuit.

WARNING: Do not use electrical appliances inside the food storage compartments of the appliance, unless they are of the type recommended by the manufacturer.

CAUTION: Children should be supervised to ensure that they do not play with the appliance.

DANGER: Risk of child entrapment. Before throwing away an old appliance:

- Remove the door or lid.
- Leave shelves in place so that children may not easily climb inside.

DANGER: Do not add a lock to the door or lid. This can cause child entrapment and harm.

SAFETY REQUIREMENTS

This appliance is not intended for use by persons (including children) whose physical, sensory or mental capabilities may be different or reduced, or who lack experience or knowledge, unless such persons receive supervision or training to operate the appliance by a person responsible for their safety.

This appliance is intended to be used in household and similar applications such as:

- Staff kitchen areas in shops, offices and other working environments;
- Farm houses and by clients in hotels, motels and other residential type environments;
- Bed and breakfast type environments;
- Catering and similar non-retail applications.

GROUNDING INSTRUCTIONS

This appliance must be grounded. Grounding reduces the risk of electrical shock by providing an escape wire for the electrical current.

This appliance has a cord that has a grounding wire with a 3-prong plug. The power cord must be plugged into an outlet that is properly grounded. If the outlet is a 2-prong wall outlet, it must be replaced with a properly grounded 3-prong wall outlet. The serial rating plate indicates the voltage and frequency the appliance is designed for.

WARNING - Improper use of the grounding plug can result in a risk of electric shock. Consult a qualified electrician or service agent if the grounding instructions are not completely understood, or if doubt exists as to whether the appliance is properly grounded.

Do not connect your appliance to extension cords or together with another appliance in the same wall outlet. Do not splice the power cord. Do not under any circumstances cut or remove the third ground prong from the power cord. Do not use extension cords or ungrounded (two prongs) adapters.

SAVE THESE INSTRUCTIONS!

INSTALLATION INSTRUCTIONS

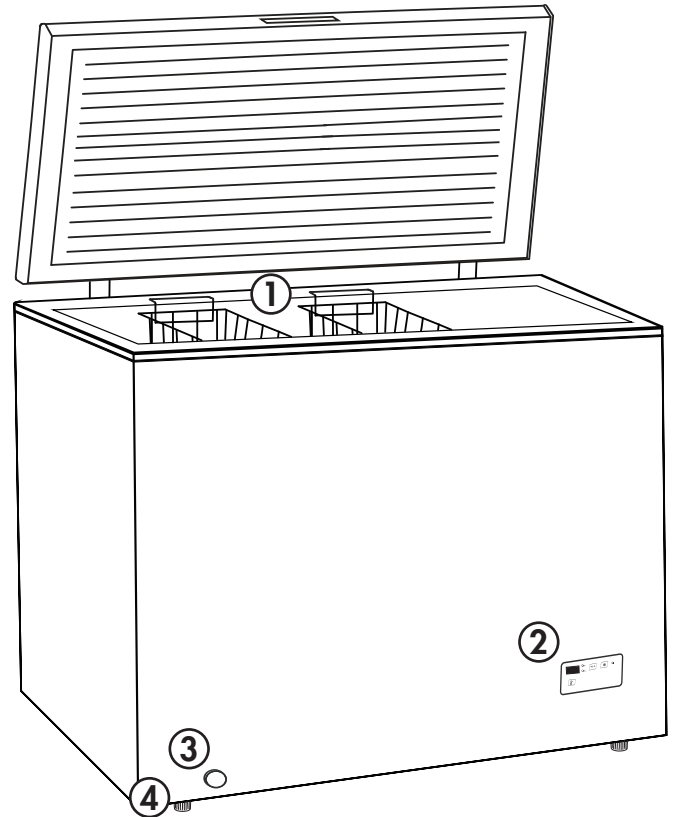
LOCATION

- Two people should be used when moving the appliance.
- Remove interior and exterior packaging prior to installation. Wipe the outside of the appliance with a soft, dry cloth and the inside with a lukewarm wet cloth.
- Place the appliance on a floor that is strong enough to support it when it is fully loaded.
- Do not place the appliance in direct sunlight or near sources of heat, such as a stove or heater, as this can increase electrical consumption. Extreme cold ambient temperatures may also cause the appliance to perform improperly.
- Do not use the appliance near water, for example, in a wet basement or near a sink.
- This appliance is intended for indoor household and garage use only. Freezers are tested to perform in temperatures ranging from 0°F to 110°F (-17°C to 43°C). It is not designed for outside installation, including anywhere that is not temperature controlled such as porches, vehicles, etc.
- Before connecting the appliance to a power source, let it stand upright for approximately 6 hours. This will reduce the possibility of a malfunction in the cooling system from handling during transportation.
- This appliance is 111.6 cm (43.9 inches) wide by 84.5 cm (33.3 inches) high by 64.4 cm (25.4 inches) deep.
- Allow 12.7 cm (5 inches) of space between the back and sides of the appliance and all adjacent walls.
- This appliance is intended for free-standing installation only and is not intended to be built into a cabinet or counter. Building in this appliance can cause it to malfunction.

OPERATING INSTRUCTIONS

FEATURES

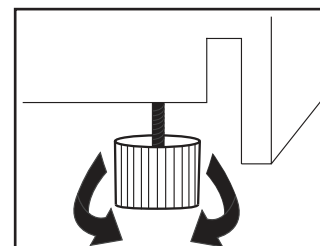
1. Two wire baskets
2. Control panel
3. Defrost drain
4. Adjustable feet



LEVELING INSTRUCTIONS

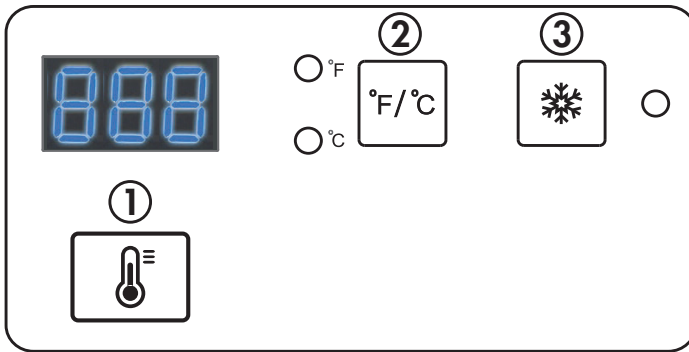
There are two adjustable feet on the bottom of the cabinet that can be adjusted to ensure that the appliance is level. To level the appliance:

1. Turn the adjustable foot counter-clockwise until the top of the foot is touching the bottom of the cabinet.
2. Slowly turn the adjustable foot clockwise until the appliance is level.



OPERATING INSTRUCTIONS

FUNCTION INSTRUCTION



1. SETTING TEMPERATURE:

- Press the temperature setting key to set or adjust the temperature.
- Temperature can be set between -14°C to -24°C (7°F to -11°F).
- The recommended temperature setting is -18°C (0°F).

2. SWITCHING BETWEEN $^{\circ}\text{C}$ AND $^{\circ}\text{F}$:

- To switch between $^{\circ}\text{C}$ and $^{\circ}\text{F}$, press the $^{\circ}\text{C}/^{\circ}\text{F}$ key and the corresponding indicator light will illuminate.

3. SETTING FAST FREEZE:

- The Fast Freeze function allows the unit to run at very low temperature (-24°C ~ -26°C) for 24 hours before reverting to previous settings.
- To activate the Fast Freeze function, press and hold the Fast Freeze button for 3 seconds and the adjacent LED indicator light will illuminate.
- To cancel the Fast Freeze function, press the Fast Freeze button or the temperature setting button and the adjacent LED indicator light will turn off.

IMPORTANT NOTES

- The freezer lid may be difficult to open immediately after closing it. This is normal and is due to the pressure difference between the cold interior of the freezer and the warm air that has just entered the freezer. The pressure will equalize within a few minutes.
- If the lid is especially difficult to open, wait 5 minutes to allow the pressure to equalize and then try again.
- The temperature inside the appliance can vary based on ambient room temperature, the frequency that the lid is opened and the amount of fresh food that has recently been added to the appliance.
- Do not overload the appliance as this can affect performance.
- Do not freeze large quantities of fresh food at the same time.

OPERATING INSTRUCTIONS

DEFROSTING

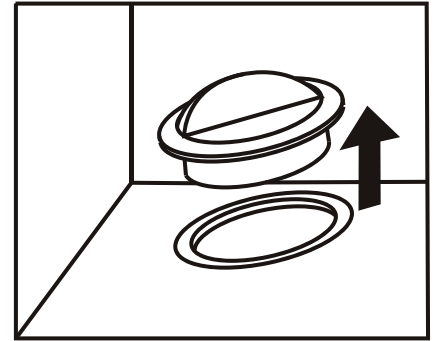
This appliance should be defrosted approximately twice a year or when a 6 mm (1/4 inch) layer of frost has formed.

Unplug the appliance, remove all contents and leave the lid open. Follow the instructions below:

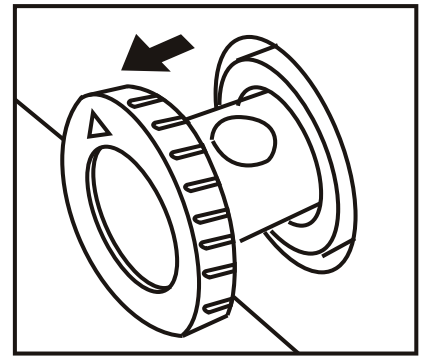
1. The interior defrost drain is located on the inside floor of the cabinet. Remove the cover from the defrost drain. Defrosted water will flow into the hole and out through the exterior defrost drain cap. See Figure 1.
2. The exterior defrost drain cap is located on the front of the cabinet. Gently pull out the exterior drain cap approximately 20 - 25 mm until the water hole is visible. See Figure 2.
3. Twist the exterior drain cap so that the arrow points downward. See Figure 3.
4. Place a bucket or pan under the drain cap to catch defrosted water. Check the appliance regularly during defrosting to ensure that the water is not overflowing.
5. When all water has been drained, twist the drain cap until the arrow is pointing upwards and then push inward until it is flush with the cabinet. See Figure 4.
6. Replace the cover in the interior defrost drain.

After defrosting is complete, set the temperature control to maximum for 2 to 3 hours before returning to the desired temperature setting.

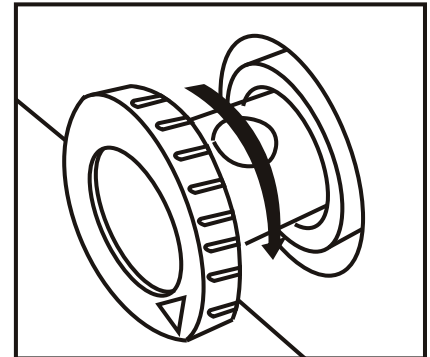
1



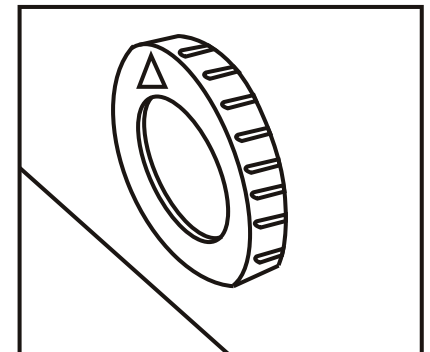
2



3



4



IMPORTANT

Never use electrical appliances during defrosting. Do not use pointed or sharp objects to remove frost as this can damage the refrigerant lines. If these lines are accidentally pierced it will render the freezer inoperable and void the manufacturer's warranty.

CARE & MAINTENANCE

CLEANING

Ensure the appliance is unplugged before cleaning.

- To clean the inside of the appliance, use a soft cloth and a solution of a tablespoon of baking soda to one quart of water or a mild soap solution or some mild detergent.
- Clean the outside with a soft, damp cloth and some mild detergent.
- It is important to keep the area where the lid seals against the cabinet clean to ensure a tight seal. Clean this area with a soapy cloth. Rinse with a damp cloth and let dry.

Note: Do not use cleaners containing ammonia or alcohol on the appliance. Ammonia or alcohol can damage the appearance of the appliance. Never use any commercial or abrasive cleaners or sharp objects on any part of the appliance.

POWER FAILURE

Most power failures are corrected within a few hours and should not affect the temperature of your appliance if you minimize the number of times the lid is opened. If the power is going to be off for a longer period of time, take the proper steps to protect your contents.

Note: Wait 3 to 5 minutes before attempting to restart the refrigerator if operation has been interrupted.

ENERGY SAVING TIP

The appliance should be located in the coolest area of the room, away from heat producing appliances, and out of direct sunlight. Do not overload the unit or block any ventilation openings.

VACATION

- Short vacations: Leave the appliance operating during vacations of less than three weeks.
- Long vacations: If the appliance will not be used for several months, remove all items and turn off the appliance. Defrost, clean and dry the interior thoroughly. To prevent odour and mold growth, leave the lid open slightly, blocking it open if necessary.

MOVING

- Remove all items.
- Tape the lid shut.
- Be sure the appliance remains in the upright position during transportation. Protect the outside of the appliance with a blanket.
- If the appliance is placed on its back or side during transportation, upon reaching the destination, allow it to remain in its operating position for 6 hours to avoid damage to internal components.

DISPOSAL

This appliance may not be treated as regular household waste, it should be taken to the appropriate waste collection point for recycling of electrical components. For information on local waste collection points, contact your local waste removal agency or government office.

Disposal of this appliance should be in accordance with federal and local regulations.

FREQUENTLY ASKED QUESTIONS

What are the standard wattage and amps used?

This information can be found on the rating plate located on the back of the cabinet.

How much does it cost to run the freezer?

Please refer to the energy guide.

Can I use an extension cord?

No, an extension cord may not be used.

I am having trouble opening the door or lid; why?

The freezer door or lid may be difficult to open immediately after closing it. This is normal and is due to the pressure difference between the cold interior of the freezer and the warm air that has just entered the freezer when it was opened. The pressure will equalize within a few minutes.

TROUBLESHOOTING

No power

- A fuse may be blown or the circuit breaker tripped
- Plug not fully inserted into the wall outlet

Internal temperature not cold enough

- Temperature setting is too warm
- The door or lid is not shut properly or opened excessively
- Recently added a large quantity of warm food to the cabinet
- Close proximity to heat source or direct sunlight
- Ambient temperature or humidity is very high

Freezer runs continuously

- Temperature setting is too cold
- The door or lid is not shut properly or opened excessively
- Recently added a large quantity of warm food to the cabinet
- Close proximity to heat source or direct sunlight
- Ambient temperature or humidity is very high

Freezer makes a gurgling noise when operating

- This noise is completely normal. The refrigerant inside the appliance will make a gurgling noise as it changes from a liquid to a gas and back again.

LIMITED "IN HOME" WARRANTY

This quality product is warranted to be free from manufacturer's defects in material and workmanship, provided that the unit is used under the normal operating conditions intended by the manufacturer.

This warranty is available only to the person to whom the unit was originally sold by Danby Products Limited (Canada) or Danby Products Inc. (U.S.A.) (hereafter "Danby") or by an authorized distributor of Danby, and is non-transferable.

TERMS OF WARRANTY

Plastic parts are warranted for thirty (30) days from the date of purchase, with no extensions provided.

First 5 years During the first **five (5) years**, any functional parts of this product found to be defective, will be repaired or replaced, at warrantor's option, at no charge to the original purchaser.

To obtain service Contact the dealer where the unit was purchased, or contact the nearest authorized Danby service depot, where service must be performed by a qualified service technician. If service is performed on the unit by anyone other than an authorized service depot, all obligations of Danby under this warranty shall be void.

Boundaries of in-home service Danby reserves the right to limit the boundaries of "In Home Service" to the proximity of an authorized service depot. Any appliance requiring service outside the limited boundaries of "In Home Service", will be the consumer's responsibility to transport at their own expense to the original point of purchase or a service depot for repair. If the appliance is installed in a location that is **100 kilometers (62 miles)** or more from the nearest service center, it must be delivered to the nearest authorized Danby Service Depot by the purchaser.

Transportation charges to and from the service location are not protected by this warranty and are the responsibility of the purchaser.

Nothing within this warranty shall imply that Danby will be responsible or liable for any spoilage or damage to food or other contents of this appliance, whether due to any defect of the appliance, or its use, whether proper or improper.

EXCLUSIONS

Save as herein provided, by Danby, there are no other warranties, conditions, representations or guarantees, express or implied, made or intended by Danby or its authorized distributors and all other warranties, conditions, representations or guarantees, including any warranties, conditions, representations or guarantees under any Sale of Goods Act or like legislation or statute is hereby expressly excluded. Save as herein provided, **Danby shall not be responsible for any damages to persons or property, including the unit itself, howsoever caused or any consequential damages arising from the malfunction of the unit and by the purchase of the unit, the purchaser does hereby agree to indemnify and hold harmless Danby from any claim for damages to persons or property caused by the unit.**

GENERAL PROVISIONS

No warranty or insurance herein contained or set out shall apply when damage or repair is caused by any of the following:

- 1) Power failure.
- 2) Damage in transit or when moving the appliance.
- 3) Improper power supply such as low voltage, defective house wiring or inadequate fuses.
- 4) Accident, alteration, abuse or misuse of the appliance such as inadequate air circulation in the room or abnormal operating conditions (ie. extremely high or low room temperature).
- 5) Use for commercial or industrial purposes (ie. If the appliance is not installed in a domestic residence).
- 6) Fire, water damage, theft, war, riot, hostility, acts of God such as hurricanes, floods etc.
- 7) Service calls resulting in customer education.
- 8) Improper Installation (ie. Building-in of a free standing appliance or using an appliance outdoors that is not approved for outdoor application, including but not limited to: patios, porches or anywhere that is not properly insulated or climate controlled).

Proof of purchase date will be required for warranty claims; retain bills of sale. In the event that warranty service is required, present the proof of purchase to our authorized service depot.

**Warranty Service
In Home**

Danby Products Limited
PO Box 1778, Guelph, Ontario, Canada N1H 6Z9
Telephone: (519) 837-0920 FAX: (519) 837-0449

1-800-263-2629
09/20

Danby Products Inc.
PO Box 669, Findlay, Ohio, U.S.A. 45840
Telephone: (419) 425-8627 FAX: (419) 425-8629

Bienvenue dans la famille Danby.

Nous sommes fiers de nos produits de qualité et nous croyons en un service fiable. Nous vous suggérons de lire ce manuel du propriétaire avant de brancher votre nouvel appareil car il contient des informations de fonctionnement importantes, des informations de sécurité, des conseils de dépannage et d'entretien pour assurer la fiabilité et la longévité de votre appareil.

Vous avez droit à la couverture de la garantie décrite dans le manuel du propriétaire fourni avec votre nouvel appareil.

1. Veuillez noter ci-dessous les informations relatives à votre appareil. Vous devez conserver la preuve d'achat originale pour valider et bénéficier des services de garantie.
2. Enregistrez votre produit en ligne et recevez une **PROLONGATION DE GARANTIE GRATUITE DE 2 MOIS** après avoir rempli une enquête sur les produits, à l'adresse www.danby.com/support/product-registration/

Numéro de modèle : _____

Numéro de série : _____

Date d'achat : _____

Besoin d'assistance?

1. Lisez votre manuel du propriétaire pour obtenir de l'aide à l'installation, au dépannage et à la maintenance.
2. Visitez www.Danby.com pour accéder aux outils en libre-service, aux FAQ et bien plus encore en recherchant votre numéro de modèle dans la barre de recherche.
3. Pour bénéficier du **service client le plus rapide**, veuillez remplir le formulaire Web à l'adresse www.danby.com/support. Votre soumission ira directement à un expert de votre appareil particulier. Nos temps de réponse moyens sont compris entre 20 minutes et 2 heures, pendant les heures ouvrables EST.
4. Composez le **1-800-263-2629** - veuillez noter que pendant les heures de pointe, les temps d'attente peuvent dépasser une heure.



Consignes de sécurité importantes

LIRE ET SUIVRE TOUTES LES INSTRUCTIONS DE SÉCURITÉ

EXIGENCES DE SÉCURITÉ

DANGER : Risque d'incendie ou d'explosion.
Liquide frigorigène inflammable utilisé. Ne pas percer les tubes de réfrigérant.

- N'utilisez pas de dispositifs mécaniques pour dégivrer le réfrigérateur.
- Assurez-vous que l'entretien est effectué par le personnel de service autorisé en usine, afin de minimiser les dommages sur les produits ou les questions de sécurité.
- Consultez le manuel de réparation ou le guide du propriétaire avant d'essayer de réparer ce produit. Toutes les précautions de sécurité doivent être respectées.
- Éliminer conformément aux règlements fédéraux ou locaux.
- Suivez attentivement les instructions de manutention.
- Ne pas stocker des substances explosives comme les bombes aérosol avec un propulseur inflammable dans cet appareil.

AVERTISSEMENT : Garder les ouvertures de ventilation, dans l'enceinte de l'appareil ou dans la structure intégrée, sans obstruction.

AVERTISSEMENT : N'utilisez pas de dispositifs mécaniques ou d'autres moyens pour accélérer le processus de dégivrage, autres que ceux recommandés par le fabricant.

AVERTISSEMENT : Ne pas endommager le circuit de réfrigérant.

AVERTISSEMENT : N'utilisez pas d'appareils électriques à l'intérieur des compartiments de stockage d'aliments de l'appareil, à moins qu'ils ne soient du type recommandé par le fabricant.

ATTENTION : Les enfants devraient être surveillés pour s'assurer qu'ils ne jouent pas avec l'appareil.

DANGER : Risque de piégeage des enfants. Avant de jeter un ancien appareil :

- Retirez la porte ou le couvercle.
- Laissez les étagères en place afin que les enfants ne puissent pas facilement monter à l'intérieur.

DANGER : N'ajoutez pas de verrou à la porte ou au couvercle. Cela peut entraîner le piégeage et le préjudice des enfants.

EXIGENCES DE SÉCURITÉ

Cet appareil n'est pas destiné à être utilisé par des personnes (y compris des enfants) dont les capacités physiques, sensorielles ou mentales peuvent être différentes ou réduites, ou qui n'ont pas d'expérience ou de connaissances, à moins que ces personnes ne reçoivent de supervision ou de formation pour faire fonctionner l'appareil par une personne responsable de leur sécurité.

Cet appareil est destiné à être utilisé dans des applications domestiques et similaires telles que:

- Cuisines du personnel dans les magasins, les bureaux et autres environnements de travail;
- Les maisons de ferme et par les clients dans les hôtels, motels et autres environnements de type résidentiel;
- Chambres d'hôtes;
- Restauration et applications similaires non commerciales.

INSTRUCTIONS DE MISE À LA TERRE

Cet appareil doit être mis à la terre. La mise à la terre réduit le risque de choc électrique en fournissant un fil d'échappement pour le courant électrique.

Cet appareil possède un cordon doté d'un fil de mise à la terre avec une fiche à 3 broches. Le cordon d'alimentation doit être branché sur une prise correctement mise à la terre. Si la sortie est une prise murale à 2 broches, elle doit être remplacée par une prise murale à 3 broches correctement mise à la terre. La plaque signalétique en série indique la tension et la fréquence auxquelles l'appareil est conçu.

AVERTISSEMENT - Une utilisation incorrecte de la fiche de mise à la terre peut entraîner un risque d'électrocution. Consultez un électricien qualifié ou un agent de service si les instructions de mise à la terre ne sont pas complètement comprises ou s'il existe un doute quant à savoir si l'appareil est correctement mis à la terre.

Ne branchez pas votre appareil à des rallonges ou avec un autre appareil dans la même prise murale. Ne pas épisser le cordon d'alimentation. Ne coupez ou retirez en aucun cas la troisième broche du cordon d'alimentation. N'utilisez pas de cordons de prolongement ou d'adaptateurs sans mise à la terre (deux broches).

Si le cordon d'alimentation est endommagé, il doit être remplacé par le fabricant, son agent de service ou une personne qualifiée similaire afin d'éviter tout risque.

GARDEZ CES INSTRUCTIONS!

INSTRUCTIONS D'INSTALLATION

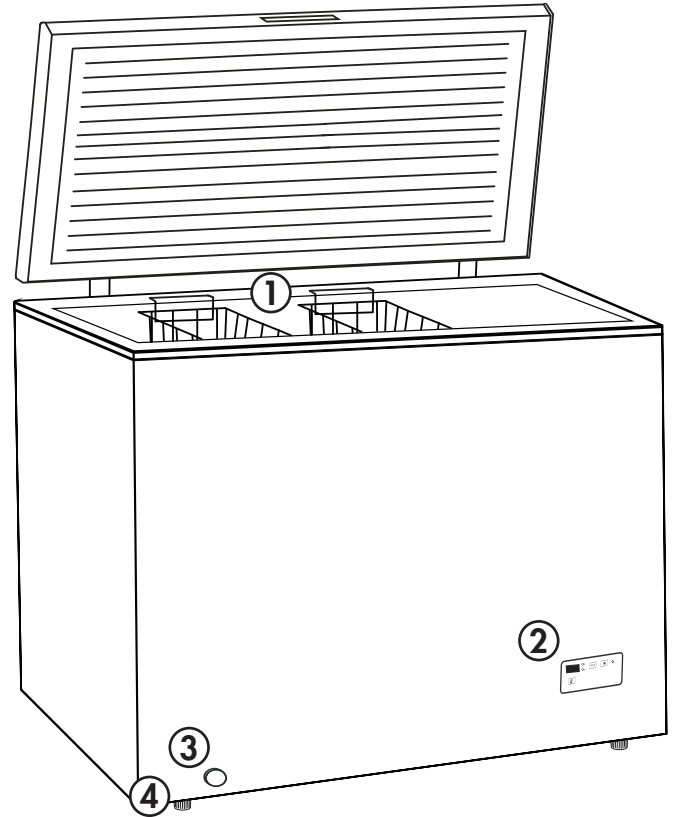
EMPLACEMENT

- Deux personnes doivent être utilisées pour déplacer l'appareil.
- Retirer l'emballage intérieur et extérieur avant l'installation. Essuyez l'extérieur de l'appareil avec un chiffon doux et sec et à l'intérieur avec un chiffon humide tiède.
- Placez votre appareil sur un plancher qui est assez fort pour le soutenir quand il est complètement chargé.
- Ne placez pas l'appareil directement dans la lumière du soleil ou à proximité de sources de chaleur, comme un poêle ou un réchauffeur, car cela peut augmenter la consommation électrique. Des températures ambiantes extrêmes et froides peuvent également provoquer un dysfonctionnement de l'appareil.
- Ne pas utiliser ce produit près de l'eau, par exemple, dans un sous-sol humide ou près d'un évier.
- Cet appareil est destiné à un usage domestique et garage uniquement. Les congélateurs sont testés pour fonctionner à des températures allant de 0°F à 110°F (-17°C à 43°C). Il n'est pas conçu pour une installation à l'extérieur, y compris partout où la température n'est pas contrôlée comme les porches, les véhicules, etc.
- Avant de brancher l'appareil à une source d'alimentation, laissez-le debout pendant environ 6 heures; Ceci réduira la possibilité d'un dysfonctionnement dans le système de refroidissement de la manipulation pendant le transport.
- Cet appareil mesure 111,6 cm (43,9 pouces) de large sur 84,5 cm (33,3 pouces) de haut et 64,4 cm (25,4 pouces) de profondeur.
- Laissez 12,7 cm (5 pouces) d'espace entre le dos et les côtés de l'appareil et tous les murs adjacents.
- Cet appareil est conçu pour une installation autonome uniquement et n'est pas destiné à être encastré dans une armoire ou un comptoir. L'encastrement de cet appareil peut provoquer son dysfonctionnement.

INSTRUCTIONS D'UTILISATION

CARACTÉRISTIQUES

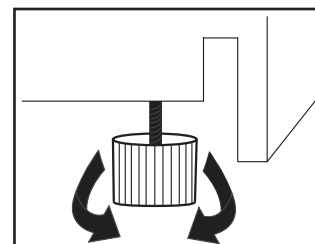
1. Deux paniers en fil
2. Panneau de commande
3. Drain de dégivrage
4. Pieds réglables



NIVÈLEMENT

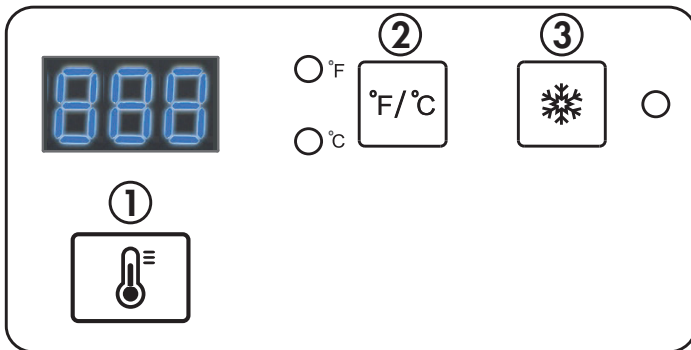
Deux pieds réglables sous le congélateur permettent de le mettre de niveau. Voici comment faire :

1. Tourner les pieds réglables dans le sens antihoraire jusqu'à ce que leur dessus touche le fond du congélateur.
2. Tourner lentement les pieds réglables dans le sens horaire jusqu'à ce que le congélateur soit de niveau.



INSTRUCTIONS D'UTILISATION

FONCTIONS



1. RÉGLER LA TEMPÉRATURE

- Appuyer sur la touche de réglage de la température (1) pour modifier la température.
- La plage de température va de -14°C à -24°C (7°F à -11°F).
- La température recommandée est de -18°C (0°F).

2. PASSER DE $^{\circ}\text{C}$ À $^{\circ}\text{F}$

- Pour passer des degrés Celsius ($^{\circ}\text{C}$) aux degrés Fahrenheit ($^{\circ}\text{F}$) et inversement, appuyer sur la touche $^{\circ}\text{F}/^{\circ}\text{C}$ (2) et le voyant de l'unité de mesure choisie s'allumera.

3. CONGÉLATION RAPIDE

- Lorsque la fonction de congélation rapide est activée, l'appareil fonctionne à une température très basse (environ entre -24 et -26°C) pendant 24 heures, puis retourne à la température réglée auparavant.
- Pour activer la fonction de congélation rapide, appuyez et maintenez enfoncé le bouton de congélation rapide pendant 3 secondes et le voyant LED adjacent s'allumera.
- Pour annuler la fonction de congélation rapide, appuyez sur le bouton de congélation rapide ou sur le bouton de réglage de la température et le voyant LED adjacent s'éteindra.

NOTES IMPORTANTE

- Le couvercle peut être difficile à soulever immédiatement après sa fermeture. C'est tout à fait normal : la différence de pression entre l'intérieur froid du congélateur et l'air chaud qui vient d'y entrer cause ce phénomène. La pression s'équilibrera en quelques minutes.
- Si le couvercle est particulièrement difficile à ouvrir, attendre 5 minutes que la pression s'équilibre, puis réessayer.
- La température interne de l'appareil peut varier selon la température ambiante de la pièce, la fréquence d'ouverture du couvercle et la quantité de nourriture non congelée qu'on y ajoute.
- Ne pas surcharger l'appareil, car cela nuira à son fonctionnement.
- Ne pas y placer de grandes quantités de nourriture fraîche en même temps.

INSTRUCTIONS D'UTILISATION

DÉGIVRAGE

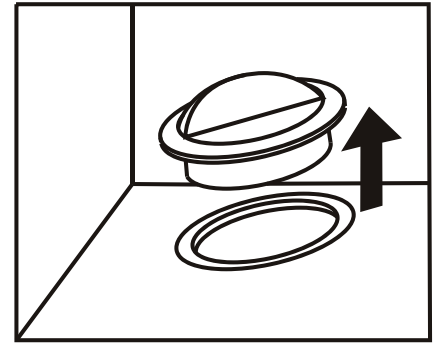
Il est recommandé de dégivrer cet appareil environ tous les six mois, ou lorsque la couche de givre atteint 6 mm (1/4 po) d'épaisseur.

Débrancher l'appareil, retirer tout le contenu et laisser le couvercle ouvert. Suivre ensuite les étapes ci-dessous :

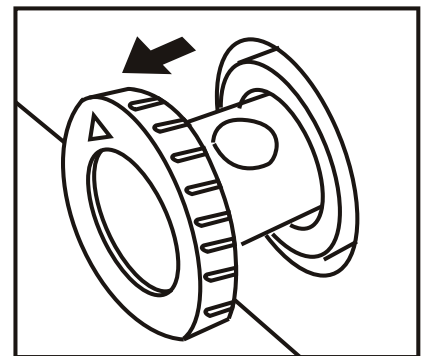
1. Le drain intérieur de dégivrage se trouve dans le fond du congélateur. Retirer le bouchon du drain. L'eau de dégivrage coulera dans le drain intérieur et sortira par le trou dans le capuchon du drain extérieur. Voir la figure 1.
2. Le capuchon du drain extérieur de dégivrage se trouve à l'avant du congélateur. Tirer doucement sur le capuchon afin qu'il ressorte d'environ 20 à 25 mm et que le trou pour le passage de l'eau soit visible. Voir la figure 2.
3. Tourner le capuchon du drain extérieur pour que la flèche pointe vers le bas. Voir la figure 3.
4. Placer un seau ou une plaque sous le capuchon pour recueillir l'eau de dégivrage. Vérifier fréquemment que l'eau ne déborde pas.
5. Une fois toute l'eau écoulée, tourner le capuchon du drain extérieur pour que la flèche pointe vers le haut et le pousser pour qu'il soit affleurant au congélateur. Voir la figure 4.
6. Remettre le capuchon dans le drain intérieur de dégivrage.

Une fois le dégivrage terminé, régler la température à la valeur la plus froide pour 2 ou 3 heures avant de remettre la température voulue.

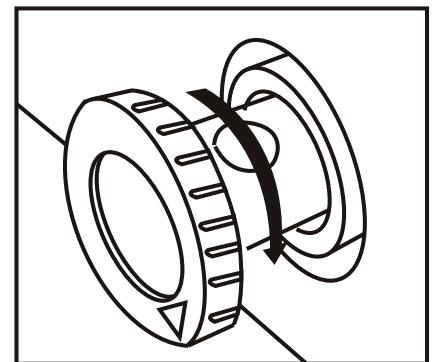
1



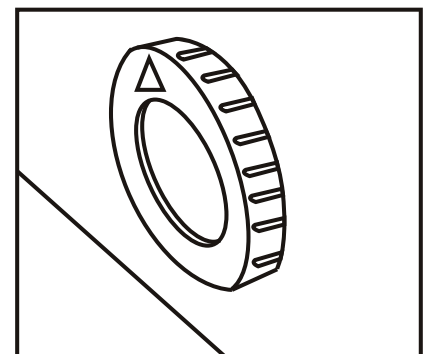
2



3



4



IMPORTANT

Ne jamais utiliser d'appareils électriques pour dégivrer le congélateur. Ne pas utiliser d'objets pointus ou tranchants pour retirer le givre, car ils pourraient endommager les tuyaux de réfrigération; si ceux-ci sont percés, le congélateur ne pourra plus être utilisé et la garantie du fabricant sera rendue nulle.

ENTRETIEN

NETTOYAGE

Toujours débrancher l'appareil avant de le nettoyer.

- Pour nettoyer l'intérieur, utiliser un linge doux avec : soit une solution d'un litre d'eau et d'une cuillère à table de bicarbonate de soude, soit une solution de savon doux, soit un détergent doux.
- Pour nettoyer l'extérieur, utiliser un détergent doux et un linge doux et humide.
- Il est important que la zone de contact entre le couvercle et le coffre soit bien propre pour assurer l'étanchéité. Nettoyer cette zone avec un linge savonneux. Rincer avec un linge humide et laisser sécher.

Remarque : Ne pas utiliser de nettoyeurs contenant de l'ammoniac ou de l'alcool, car ils pourraient endommager le fini de l'appareil. Ne jamais utiliser de nettoyeurs commerciaux ou abrasifs ni d'objets tranchants sur une quelconque partie de l'appareil.

PANNE DE COURANT

Habituellement, en cas de panne, le courant est rétabli en quelques heures; la température de l'appareil ne devrait donc pas en souffrir si on évite le plus possible d'ouvrir le couvercle. En cas de panne prolongée, prendre les mesures appropriées pour garder les aliments congelés.

N.B. : Attendre 3 à 5 minutes avant de remettre le congélateur en marche.

ÉCONOMIE D'ÉNERGIE

Placer le congélateur à l'endroit le plus frais de la pièce, à l'écart de la lumière directe du soleil et des appareils produisant de la chaleur. Ne pas remplir excessivement le congélateur ni bloquer les ouvertures de ventilation.

VACANCES

- Courte vacances : Laisser l'appareil en marche en cas d'absence pendant moins de trois semaines.
- Vacances prolongée : Si l'appareil reste inutilisé pendant plusieurs mois, en retirer tout le contenu et le débrancher. Dégivrer, nettoyer et bien sécher l'intérieur. Pour prévenir la formation d'odeurs et de moisissures, laisser le couvercle légèrement ouvert, en le bloquant dans cette position si nécessaire.

DÉPLACEMENT

- Retirer tout le contenu.
- Garder le couvercle fermé à l'aide d'un ruban adhésif.
- Toujours garder l'appareil à l'endroit pendant le transport. Protéger l'extérieur avec une couverture.
- Si l'appareil est placé sur le dos ou le côté pour le transport, le laisser à l'endroit pendant 6 heures une fois à destination avant de le mettre en marche, ce qui évitera les dommages aux composants internes.

MISE AU REBUT

Cet appareil n'est pas un déchet résidentiel ordinaire; il faut l'amener au point de collecte approprié pour le recyclage des composants électriques. Communiquer avec l'organisme local de collecte des rebuts ou l'organisme gouvernemental responsable pour connaître les points de collecte.

La mise au rebut doit respecter la réglementation fédérale et locale.

QUESTIONS FRÉQUEMMENT POSÉES

Quels sont la puissance et les amplis standard utilisés?

Ces informations se trouvent sur la plaque signalétique située à l'arrière de l'armoire.

Combien cela coûte-t-il de faire fonctionner le congélateur?

Veuillez vous référer au guide énergétique.

Puis-je utiliser une rallonge?

Non, une rallonge ne peut pas être utilisée.

J'ai du mal à ouvrir la porte ou le couvercle; Pourquoi?

La porte ou le couvercle du congélateur peut être difficile à ouvrir immédiatement après sa fermeture. Ceci est normal et est dû à la différence de pression entre l'intérieur froid du congélateur et l'air chaud qui vient d'entrer dans le congélateur lors de son ouverture. La pression s'égalisera en quelques minutes.

DÉPANNAGE

Aucune puissance

- Un fusible est peut-être grillé ou le disjoncteur s'est déclenché
- La fiche n'est pas complètement insérée dans la prise murale

Température interne pas assez froide

- Le réglage de la température est trop chaud
- La porte ou le couvercle n'est pas correctement fermé ou trop ouvert
- Récemment ajouté une grande quantité d'aliments chauds dans l'armoire
- Proche d'une source de chaleur ou de la lumière directe du soleil
- La température ambiante ou l'humidité est très élevée

Le congélateur fonctionne en continu

- Le réglage de la température est trop froid
- La porte ou le couvercle n'est pas correctement fermé ou trop ouvert
- Récemment ajouté une grande quantité d'aliments chauds dans l'armoire
- Proche d'une source de chaleur ou de la lumière directe du soleil
- La température ambiante ou l'humidité est très élevée

Le congélateur fait un gargouillis lors de son fonctionnement

- Ce bruit est tout à fait normal. Le réfrigérant à l'intérieur de l'appareil émettra un gargouillis lorsqu'il passe d'un liquide à un gaz et vice-versa.

GARANTIE LIMITÉE POUR APPAREIL ÉLECTROMÉNAGER RÉSIDENTIEL

Le fabricant garantit ce produit contre les défauts de matériaux et de fabrication, à condition que celui-ci soit utilisé dans des conditions normales telles que prévues par le fabricant.

La garantie est non transférable et offerte seulement au premier acheteur du produit auprès de Danby Products Limited (Canada) ou Danby Products Inc. (États-Unis) (ci-après « Danby ») ou d'un distributeur autorisé de Danby.

MODALITÉS DE LA GARANTIE

Les pièces de plastique sont garanties pendant trente (30) jours à compter de la date d'achat; aucune prolongation.

Cinq premières années Durant les cinq (5) premières années, toute pièce fonctionnelle reconnue défectueuse sera réparée ou remplacée, à la discrétion du fabricant, sans frais pour l'acheteur original.

Demande de service Communiquer avec le distributeur à qui le produit a été acheté ou le centre de service autorisé Danby le plus proche; le service doit être fait par un technicien qualifié du centre, sans quoi Danby ne sera tenue de respecter aucune des obligations de la présente garantie.

Territoire du service à domicile Danby se réserve le droit de fixer des limites géographiques au « service à domicile » selon la proximité d'un centre de service autorisé. Pour tout service sur un appareil situé hors du territoire établi, il reviendra à l'acheteur d'apporter à ses frais l'appareil au point de vente original ou au centre de service pour réparation. Si l'appareil se trouve à **100 km (62 miles)** ou plus d'un centre de service, l'acheteur doit le faire expédier au centre autorisé Danby le plus proche.

Les frais de transport (aller et retour) au centre de service ne sont pas couverts par la garantie et incombent à l'acheteur.

Aucun élément de la présente garantie ne sous-entend que Danby est d'une quelconque façon responsable de nourriture gaspillée ou de tout autre contenu endommagé en raison d'une défectuosité de l'appareil ou de son utilisation (adéquate ou inadéquate).

EXCLUSIONS

À moins d'indications contraires données aux présentes par Danby, le produit n'est l'objet d'aucune autre garantie, condition, déclaration ou assertion, expresse ou tacite, de la part de Danby ou de ses distributeurs autorisés. Est donc expressément exclue toute autre garantie, condition, déclaration ou assertion, notamment celles prévues par une loi sur la vente de biens ou une autre disposition législative semblable. **Sauf indications contraires aux présentes, Danby n'est pas responsable des dommages personnels ou matériels, y compris ceux au produit lui-même, quelle qu'en soit la cause, ni des dommages découlant d'une défaillance de l'appareil. Par l'achat du produit, l'acheteur accepte d'indemniser et de dégager de toute responsabilité Danby pour toute réclamation relative aux dommages personnels ou matériels imputables à l'appareil.**

DISPOSITIONS GÉNÉRALES

Toute garantie ou assurance incluse ou décrite aux présentes ne s'applique pas si les dommages ou les bris à réparer découlent d'une des situations suivantes :

- 1) Panne de courant
- 2) Dommage pendant le transport ou le déplacement de l'appareil
- 3) Source d'alimentation inadéquate (p. ex. tension faible, câblage résidentiel défectueux ou fusibles inadéquats)
- 4) Accident impliquant l'appareil ou altération ou utilisation abusive ou inadéquate de celui-ci, notamment une mauvaise circulation d'air dans la pièce ou des conditions d'utilisation anormales (p. ex. température ambiante extrême)
- 5) Usage commercial ou industriel (installation de l'appareil autre que dans une résidence)
- 6) Feu, dégât d'eau, vol, guerre, émeute, actes hostiles et catastrophes naturelles (p. ex. tornades, inondations, etc.)
- 7) Appels de service se résolvant par une formation de l'utilisateur
- 8) Mauvaise installation (appareil autoportant encastré ou utilisation extérieure d'un appareil non prévu à cette fin, sur un patio ou un porche, ou à tout autre endroit non adéquatement isolé ou où la température n'est pas contrôlée)

Une preuve d'achat avec date est requise pour toute réclamation en vertu de la garantie; conserver la facture de vente. En cas de service couvert par la garantie, présenter la preuve d'achat au centre de service autorisé.

Service sous garantie
À domicile

Danby Products Limited
C.P. 1778, Guelph (Ontario) N1H 6Z9, CANADA
Tél. : 519 837-0920 Téléc. : 519 837-0449

1 800 263-2629
09/20

Danby Products Inc.
PO Box 669, Findlay, Ohio, 45840, ÉTATS-UNIS
Tél. : 419 425-8627 Téléc. : 419 425-8629

Bienvenido a la familia Danby.

Estamos orgullosos de nuestros productos de calidad y creemos en un servicio confiable. Le sugerimos que lea este manual del propietario antes de enchufar su nuevo electrodoméstico, ya que contiene información importante de funcionamiento, información de seguridad, solución de problemas y consejos de mantenimiento para garantizar la confiabilidad y longevidad de su electrodoméstico.

Tiene derecho a la cobertura de la garantía como se describe en el manual del propietario que se proporciona con su nuevo electrodoméstico.

1. Escriba la información de su aparato a continuación. **Debe conservar el comprobante de compra original para validar y recibir los servicios de garantía.**
2. Registre su producto en línea y reciba una **EXTENSIÓN DE GARANTÍA GRATUITA DE 2 MESES** después de completar una encuesta sobre el producto, en www.danby.com/support/product-registration/

Número de modelo: _____

Número de serie: _____

Fecha de compra: _____

Necesitas ayuda?

1. Lea el manual del propietario para obtener ayuda con la instalación, resolución de problemas y asistencia de mantenimiento.
2. Visite www.Danby.com para acceder a herramientas de autoservicio, preguntas frecuentes y mucho más buscando su número de modelo en la barra de búsqueda.
3. Para obtener el **servicio al cliente más rápido**, complete el formulario web en www.danby.com/support. Su envío irá directamente a un experto en su dispositivo en particular. Nuestros tiempos de respuesta promedio son entre 20 minutos y 2 horas, durante el horario comercial EST.
4. Llame al **1-800-263-2629**; tenga en cuenta que durante las horas pico, los tiempos de espera pueden exceder una hora.



Importantes Instrucciones de Seguridad

LEA Y SIGA TODAS LAS INSTRUCCIONES DE SEGURIDAD

REQUERIMIENTOS DE SEGURIDAD

PELIGRO: Riesgo de incendio o explosión. Refrigerante inflamable usado. No perforar la tubería del refrigerante.

- No utilice dispositivos mecánicos para descongelar el refrigerador.
- Asegúrese de que el personal de mantenimiento autorizado por la fábrica haga el mantenimiento para minimizar los daños o problemas de seguridad del producto.
- Consulte el manual de reparación o la guía del propietario antes de intentar reparar este producto. Todas las precauciones de seguridad deben ser seguidas.
- Deseche adecuadamente de acuerdo con las regulaciones federales o locales.
- Siga cuidadosamente las instrucciones de manipulación.
- No almacene sustancias explosivas como aerosoles con propelente inflamable en este electrodoméstico.

ADVERTENCIA: Mantenga las aberturas de ventilación, en la caja del aparato o en la estructura incorporada, sin obstrucción.

ADVERTENCIA: No utilice dispositivos mecánicos u otros medios para acelerar el proceso de descongelación, distintos de los recomendados por el fabricante.

ADVERTENCIA: No dañar el circuito refrigerante.

ADVERTENCIA: No utilice electrodomésticos dentro de los compartimentos de almacenamiento de alimentos del aparato, a menos que sean del tipo recomendado por el fabricante.

PRECAUCIÓN: Los niños deben ser supervisados para asegurarse de que no juegan con el aparato.

PELIGRO: Riesgo de atrapamiento de niños. Antes de tirar un electrodoméstico viejo:

- Retire la puerta o la tapa.
- Deje los estantes en su lugar para que los niños no puedan subir fácilmente dentro.

PELIGRO: No agregue un candado a la puerta o tapa. Esto puede causar atrapamiento y daño al niño.

REQUERIMIENTOS DE SEGURIDAD

Este aparato no está diseñado para ser usado por personas (incluyendo niños) cuyas capacidades físicas, sensoriales o mentales pueden ser diferentes o reducir, o que carecen de experiencia o conocimiento, a menos que dichas personas reciban supervisión o entrenamiento para operar el aparato por una persona responsable de su la seguridad.

Este dispositivo está destinado a ser utilizado en aplicaciones domésticas y similares, tales como:

- Cocinas de personal en tiendas, oficinas y otros entornos de trabajo;
- Casas rurales y clientes en hoteles, moteles y otros entornos de tipo residencial;
- Cama y desayuno;
- Catering y aplicaciones similares no minoristas.

INSTRUCCIONES DE CONEXION A TIERRA

Este aparato debe estar conectado a tierra. La puesta a tierra reduce el riesgo de descarga eléctrica proporcionando un cable de escape para la corriente eléctrica.

Este aparato tiene un cable que tiene un cable de conexión a tierra con un enchufe de 3 clavijas. El cable de alimentación debe estar enchufado en un tomacorriente que esté debidamente conectado a tierra. Si el tomacorriente es un enchufe de pared de 2 terminales, debe ser reemplazado por un tomacorriente de pared de 3 clavijas debidamente conectado a tierra. La placa de características en serie indica el voltaje y la frecuencia que el aparato está diseñado para.

ADVERTENCIA - El uso incorrecto del enchufe de conexión a tierra puede resultar en un riesgo de descarga eléctrica. Consulte a un electricista calificado o agente de servicio si las instrucciones de conexión a tierra no se entienden completamente o si existe duda sobre si el aparato está debidamente conectado a tierra.

No conecte el aparato a los cables de extensión ni con otro aparato en la misma toma de corriente. No empalme el cable de alimentación. No corte ni extraiga en ningún caso la tercera clavija de tierra del cable de alimentación. No utilice cables de extensión ni adaptadores sin conexión a tierra (dos clavijas).

Si el cable de alimentación está dañado, debe ser reemplazado por el fabricante, su agente de servicio o persona calificada similar para evitar riesgos.

¡GUARDE ESTAS INSTRUCCIONES!

INSTRUCCIONES DE INSTALACIÓN

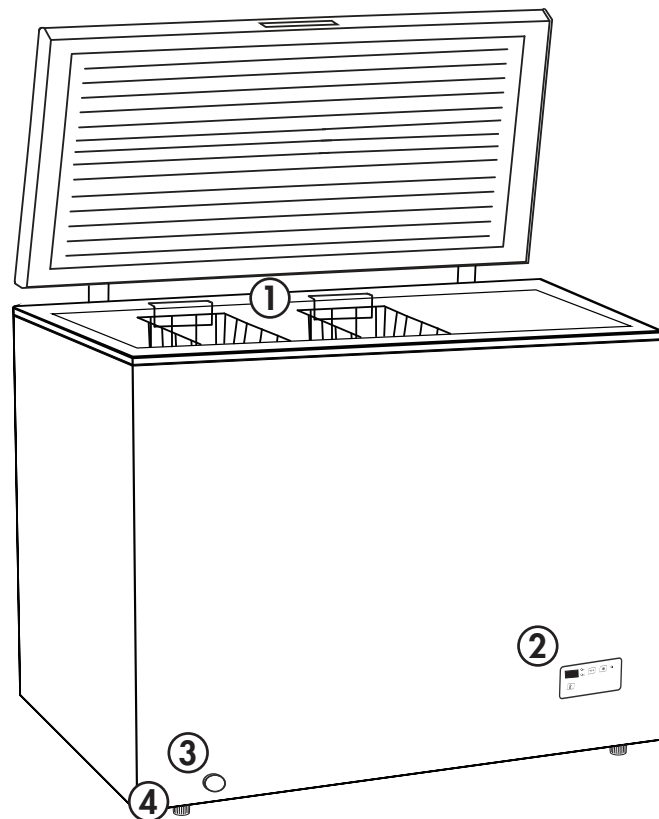
UBICACIÓN

- Se deben utilizar dos personas al mover el aparato.
- Retire el embalaje interior y exterior antes de la instalación. Limpie el exterior del aparato con un paño suave y seco y el interior con un paño húmedo tibio.
- Coloque el aparato en un piso que sea lo suficientemente fuerte como para soportarlo cuando esté completamente cargado.
- Ubique el aparato lejos de la luz directa del sol y fuentes de calor (estufa, calentador, radiador, etc.). La luz solar directa y las fuentes de calor pueden aumentar el consumo eléctrico. Las temperaturas ambientales extremadamente frías también pueden causar que la unidad funcione incorrectamente.
- No utilice este producto cerca del agua, por ejemplo, en un sótano húmedo o cerca de un fregadero.
- Este aparato está diseñado para uso doméstico y en garaje en interiores únicamente. Los congeladores se prueban para funcionar en temperaturas que varían de 0°F a 110°F (-17°C a 43°C). No está diseñado para instalación en exteriores, incluso en cualquier lugar que no tenga temperatura controlada, como porches, vehículos, etc.
- Antes de conectar el aparato a una fuente de alimentación, deje que se mantenga erguido durante aproximadamente 6 horas; Esto reducirá la posibilidad de un malfuncionamiento en el sistema de enfriamiento debido a la manipulación durante el transporte.
- Este aparato mide 111,6 cm (43,9 pulgadas) de ancho por 84,5 cm (33,3 pulgadas) de alto por 64,4 cm (25,4 pulgadas) de profundidad.
- Deje espacio de 12.7 cm (5 pulgadas) entre la parte posterior y los laterales del aparato y todas las paredes adyacentes.
- Este aparato está diseñado para instalación independiente y no está diseñado para ser instalado en un gabinete o mostrador. La construcción en este aparato puede causar un mal funcionamiento.

INSTRUCCIONES DE OPERACIÓN

CARACTERÍSTICAS

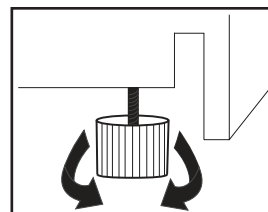
1. Dos cestas de alambre
2. Panel de control
3. Desagüe de descongelación
4. Pies ajustables



INSTRUCCIONES DE NIVELACIÓN

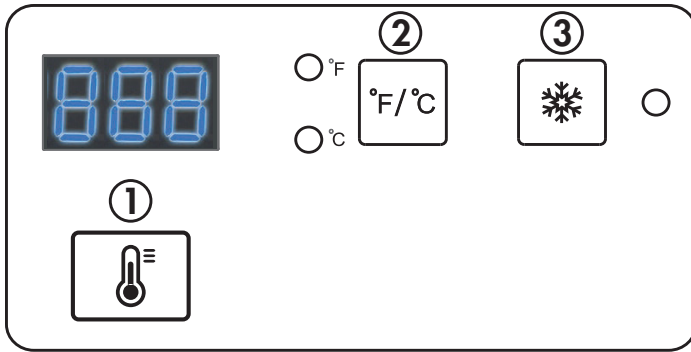
Hay dos pies ajustables en la parte inferior del gabinete que se pueden ajustar para asegurar que el aparato esté nivelado. Para nivelar el aparato:

1. Gire el pie ajustable en sentido contrario a las agujas del reloj hasta que la parte superior del pie toque la parte inferior del armario.
2. Gire lentamente el pie ajustable en el sentido de las agujas del reloj hasta que el aparato esté nivelado.



INSTRUCCIONES DE OPERACIÓN

INSTRUCCIÓN DE LA FUNCIÓN



1. AJUSTE DE TEMPERATURA:

- Pulse la tecla de ajuste de la temperatura para establecer o ajustar la temperatura.
- La temperatura puede ajustarse entre -14°C y -24°C (7°F a -11°F).
- La temperatura recomendada es de -18°C (0°F).

2. CONMUTACIÓN ENTRE °C Y °F:

- Para cambiar entre $^{\circ}\text{C}$ y $^{\circ}\text{F}$, pulse la tecla $^{\circ}\text{C}/^{\circ}\text{F}$ y se encenderá el correspondiente indicador luminoso.

3. CONGELACIÓN RÁPIDA:

- La función de congelación rápida permite que la unidad funcione a temperaturas muy bajas (-24°C ~ -26°C) durante 24 horas antes de volver a los ajustes anteriores.
- Para activar la función de congelación rápida, mantenga pulsado el botón de congelación rápida durante 3 segundos y la luz indicadora LED adyacente se iluminará.
- Para cancelar la función de congelación rápida, pulse el botón de congelación rápida o el botón de ajuste de temperatura y el indicador LED adyacente se apagará.

NOTA IMPORTANTE

- La tapa del congelador puede ser difícil de abrir inmediatamente después de cerrarla. Esto es normal y se debe a la diferencia de presión entre el interior frío del congelador y el aire caliente que acaba de entrar en el congelador cuando se abrió la tapa. La presión se igualará en pocos minutos.
- Si la tapa es especialmente difícil de abrir, espere 5 minutos para que la presión se iguale y vuelva a intentarlo.
- La temperatura en el interior del aparato puede variar en función de la temperatura ambiente, la frecuencia con que se abre la tapa y la cantidad de alimentos frescos que se han añadido recientemente al aparato.
- No sobrecargue el aparato ya que esto puede afectar el rendimiento.
- No congele grandes cantidades de alimentos frescos al mismo tiempo.

INSTRUCCIONES DE OPERACIÓN

DESCONGELACIÓN

Este aparato se descongelará aproximadamente dos veces al año o cuando se haya formado una capa de hielo de 6 mm (1/4 de pulgada).

Desconecte el aparato, retire todo el contenido y deje la tapa abierta. Siga las instrucciones de abajo:

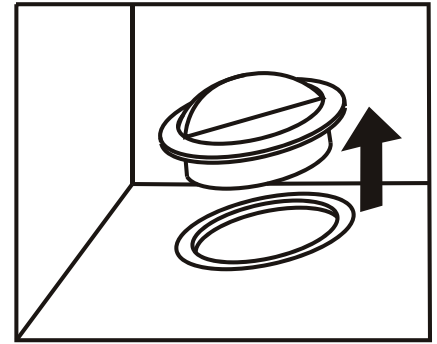
1. El desagüe de desescarche interior se encuentra en el piso interior del gabinete. Retire la cubierta del desagüe de descongelación. El agua descongelada fluirá hacia el interior del orificio y saldrá a través del tapón de drenaje exterior del desescarche. Vea la Figura 1.
2. El tapón de desagüe exterior está situado en la parte frontal del armario. Saque suavemente el tapón de drenaje exterior aproximadamente 20 - 25 mm hasta que el agujero de agua sea visible. Vea la Figura 2.
3. Gire el tapón de drenaje exterior de modo que la flecha apunte hacia abajo. Vea la Figura 3.
4. Coloque un cubo o cacerola debajo del tapón de drenaje para coger el agua descongelada. Compruebe el aparato regularmente durante la descongelación para asegurarse de que el agua no se desborda.
5. Cuando se haya drenado todo el agua, gire la tapa de drenaje hasta que la flecha apunte hacia arriba y luego empuje hacia dentro hasta que esté a ras con el gabinete. Vea la Figura 4.
6. Vuelva a colocar la cubierta en el desagüe de desescarche interior.

Una vez finalizada la descongelación, ajuste el control de temperatura al máximo durante 2 a 3 horas antes de volver a la temperatura deseada.

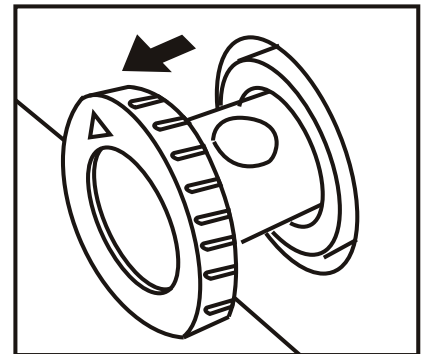
IMPORTANTE

Nunca utilice electrodomésticos durante la descongelación. No utilice objetos afilados o puntiagudos para quitar la escarcha ya que esto puede dañar las líneas de refrigerante. Si estas líneas se perforan accidentalmente hará que el congelador inoperable y anular la garantía del fabricante.

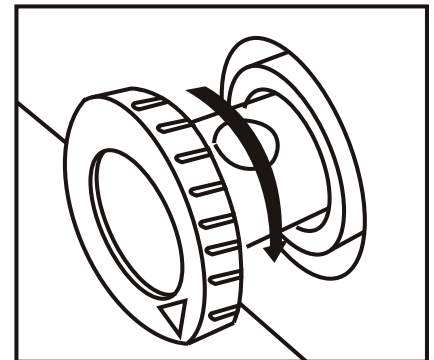
1



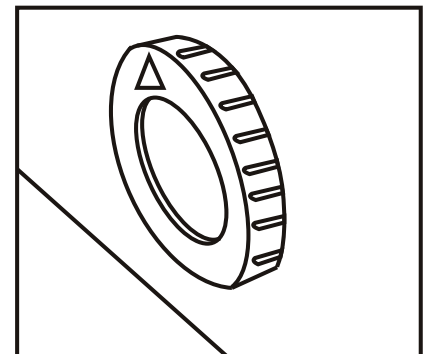
2



3



4



CUIDADO Y MANTENIMIENTO

LIMPIEZA

Asegúrese de que la unidad esté desenchufada antes de limpiar cualquier parte del aparato.

- Para limpiar el interior del aparato, utilice un paño suave y una solución de una cucharada de bicarbonato de sodio a un litro de agua o una solución de jabón suave o algún detergente suave.
- Limpie el exterior con un paño suave y húmedo y un poco de detergente suave.
- Es importante mantener el área limpia donde la tapa sella contra el gabinete. Limpie este área con un paño jabonoso. Enjuague con un paño húmedo y deje secar.

Nota: No utilice limpiadores que contengan amoníaco o alcohol en el aparato. El amoníaco o el alcohol pueden dañar el aspecto del aparato. Nunca utilice limpiadores comerciales o abrasivos ni objetos afilados en ninguna parte del aparato.

FALLO DE ALIMENTACIÓN

La mayoría de las fallas de alimentación se corrigen en pocas horas y no deben afectar la temperatura de su aparato si minimiza el número de veces que se abre la tapa. Si la alimentación va a estar apagada por un período de tiempo más largo, tome las medidas apropiadas para proteger su contenido.

Nota: Espere de 3 a 5 minutos antes de intentar reiniciar el refrigerador si se ha interrumpido la operación.

TIP DE AHORRO DE ENERGÍA

El aparato debe estar ubicado en la zona más fresca de la habitación, lejos de los aparatos que producen calor y fuera de la luz directa del sol. No sobrecargue la unidad ni bloquee las aberturas de ventilación.

VACACIONES

- Vacaciones cortas: Deje el aparato en funcionamiento durante las vacaciones de menos de tres semanas.
- Largas vacaciones: Si el aparato no se va a utilizar durante varios meses, retire todos los artículos y apague el aparato. Limpie y seque el interior a fondo. Para evitar el olor y el moho, deje la tapa ligeramente abierta, bloqueándola si es necesario.

MUDARSE

- Retirar todos los elementos.
- Tape la tapa cerrada.
- Asegúrese de que el aparato permanezca seguro en posición vertical durante el transporte. Proteja también el exterior del aparato con una manta o un artículo similar.
- Si el aparato se coloca en su parte posterior o lateral durante el transporte, al llegar al destino, permita que permanezca en su posición de funcionamiento durante 6 horas para evitar daños a los componentes internos.

DISPOSICIÓN

Este aparato no puede ser tratado como un residuo doméstico normal, sino que debe ser llevado al punto de recogida de residuos apropiado para el reciclaje de componentes eléctricos. Para obtener información sobre los puntos de recogida de residuos locales, póngase en contacto con la agencia local de eliminación de residuos o con la oficina gubernamental.

La eliminación de este aparato debe realizarse de acuerdo con las regulaciones federales y locales.

PREGUNTAS FRECUENTES

¿Cuáles son las potencias y amperios estándar que se utilizan?

Esta información se puede encontrar en la placa de clasificación ubicada en la parte posterior del gabinete.

¿Cuánto cuesta hacer funcionar el congelador?

Consulte la guía de energía.

¿Puedo usar un cable de extensión?

No, no se puede usar un cable de extensión.

Tengo problemas para abrir la puerta o la tapa; ¿por qué?

Es posible que sea difícil abrir la puerta o la tapa del congelador inmediatamente después de cerrarla. Esto es normal y se debe a la diferencia de presión entre el interior frío del congelador y el aire caliente que acaba de entrar en el congelador cuando se abrió. La presión se igualará en unos minutos.

SOLUCIÓN SUGERIDA

No funciona

- Un fusible en su casa puede soplarse o el interruptor de circuito disparado
- El enchufe no está completamente insertado en la toma de corriente

La temperatura interna no es lo suficientemente fría

- El ajuste de temperatura es demasiado frío
- La puerta o la tapa no se cierra correctamente o se abre en exceso
- Recientemente se agregó una gran cantidad de comida caliente al gabinete
- Muy cerca de una fuente de calor o luz solar directa
- La temperatura ambiente o la humedad es muy alta

El congelador funciona continuamente

- El ajuste de temperatura es demasiado frío
- La puerta o la tapa no se cierra correctamente o se abre en exceso
- Recientemente se agregó una gran cantidad de comida caliente al gabinete.
- Muy cerca de una fuente de calor o luz solar directa.
- La temperatura ambiente o la humedad es muy alta

El congelador hace un gorgoteo cuando está en funcionamiento

- Este ruido es completamente normal. El refrigerante dentro del aparato emitirá un gorgoteo cuando cambie de líquido a gas y viceversa.

GARANTÍA LIMITADA "A DOMICILIO"

Este producto de calidad está garantizado contra defectos de fabricación, incluyendo partes y mano de obra, siempre y cuando la unidad se utilice bajo las condiciones normales de funcionamiento para las que fue diseñado. Esta garantía está solamente disponible para la persona que haya comprado originalmente esta unidad directamente de Danby Products Limited (Canada) o Danby Products Inc. (U.S.A.) (en adelante "Danby") o uno de sus distribuidores autorizados, y no es transferible.

CONDICIONES DE LA GARANTÍA

Las piezas plásticas, se autorizan por treinta (30) días solamente a partir de la fecha de la compra, sin las extensiones proporcionadas.

Primeros 5 años Durante los primeros **cinco (5) años**, cualquier parte en buen estado de este producto que resulte defectuosa, incluyendo cualquier sistema sellado, será reparado o reemplazado, a opción del fabricante, sin cargo para el comprador ORIGINAL.

Para obtener servicio Comuníquese con el distribuidor donde haya comprado la unidad, o llame al Taller de Servicio Autorizado más cercano, donde debe ser reparada por un técnico calificado. Si esta unidad es reparada en otro lugar que no sea un Taller de Servicio Autorizado, o si la unidad se utiliza para aplicaciones comerciales, Danby no se hará responsable de ninguna forma y la garantía será anulada.

Límites del servicio técnico a domicilio Danby se reserva el derecho de limitar la cobertura de "Servicio en Domicilio" sujeto a la proximidad de un **Taller de Servicio Autorizado**. Para todo artefacto que requiera servicio fuera del área limitada de "Servicio en Domicilio", el cliente será responsable por transportar dicho artefacto hasta el Taller de Servicio Autorizado más cercano. Si el electrodoméstico está instalado en un lugar que se encuentra a **100 kilómetros (62 millas)** o más del centro de servicios más cercano, se debe llevar la unidad al Centro de servicios Danby autorizado más cercano, ya que dicho servicio sólo puede realizarlo un técnico calificado y certificado por Danby para prestar servicios de garantía.

Los cargos por transporte desde y hacia el lugar en que se efectúe el servicio técnico no están cubiertos por esta garantía y son de responsabilidad del comprador.

Nada dentro de esta garantía implica que Danby será responsable por cualquier daño que hayan sufrido los alimentos u otros contenidos de este aparato, ya sea debido a un defecto del aparato, o su uso, adecuado o inadecuado.

EXCLUSIONES

Salvo lo aquí indicado por Danby, no existen otras garantías, condiciones o representaciones, explícitas o implícitas, concretas o intencionales por parte de Danby o sus distribuidores autorizados y todas las demás garantías, condiciones o representaciones, incluyendo cualquier garantía, condiciones o representaciones bajo cualquier Acta de Venta de Productos o legislación o estatuto similar, quedan de esta forma expresamente excluidas. **Salvo lo aquí indicado, Danby no serán responsables por ningún daño a personas o bienes, incluyendo la propia unidad, sin importar su causa, o de ningún daño indirecto causado por el desperfecto de la unidad, y al comprar esta unidad, el comprador acepta por la presente, indemnizar y proteger a Danby contra cualquier reclamo por daños a personas o bienes causados por la unidad.**

CONDICIONES GENERALES

No se considerará ninguna de estas garantías o seguros cuando el daño o la necesidad de reparación sea el producto de los siguientes casos:

- 1) Falla del suministro eléctrico.
- 2) Daños en tránsito o durante el transporte de la unidad.
- 3) Alimentación incorrecta, como bajo voltaje, instalación eléctrica defectuosa o fusibles inadecuados.
- 4) Accidente, modificación, abuso o uso incorrecto del artefacto, tal como insuficiente ventilación del ambiente o condiciones de operación anormales (temperatura ambiente extremadamente alta o baja).
- 5) Utilización comercial o industrial (v.g., si el electrodoméstico no está instalado en una vivienda particular).
- 6) Incendio, daños por agua, robo, guerra, disturbios, hostilidades, actos de fuerza mayor como huracanes, inundaciones, etc.
- 7) Pedidos de servicio debido a desinformación del usuario.
- 8) Instalación inadecuada (v.g., instalación empotrada de un electrodoméstico diseñado como unidad independiente o uso de un electrodoméstico al aire libre que no esté aprobado para dicho fin, incluyendo pero no limitado a: patios, porches o en cualquier lugar que no esté bien aislado o controlado por el clima).

Se requerirá una prueba de la fecha de compra para reclamaciones de garantía; Retener las facturas de venta. En el caso de que se requiera servicio de garantía, presente el comprobante de compra a nuestro depósito de servicio autorizado.

Servicio de Garantía
Servicio en Domicilio

Danby Products Limited
PO Box 1778, Guelph, Ontario, Canada N1H 6Z9
Telephone: (519) 837-0920 FAX: (519) 837-0449

1-800-263-2629
09/20

Danby Products Inc.
PO Box 669, Findlay, Ohio, U.S.A. 45840
Telephone: (419) 425-8627 FAX: (419) 425-8629

DANBY PRODUCTS LIMITED, ONTARIO, CANADA N1H 6Z9
DANBY PRODUCTS INC., FINDLAY, OHIO, USA 45840

*Trademarks of Danby Products Limited and/or its subsidiaries
* Marques de commerce de Danby Products Limited et / ou de ses filiales
* Marcas comerciales de Danby Products Limited y / o sus subsidiarias

Printed in China
Imprimé en Chine
Impreso en China