

*The*  
**POWER** *In*  
**PRESENTATION PRODUCTS**



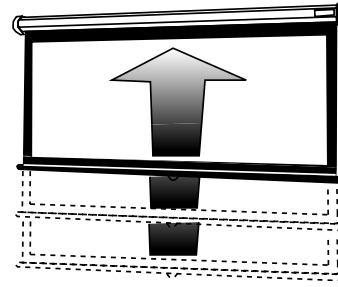
**Operating Instructions for  
MODEL C WITH CSR  
(Controlled Screen Return)**



**DA-LITE SCREEN COMPANY, INC.**

3100 North Detroit Street  
Post Office Box 137  
Warsaw, Indiana 46581-0137  
Phone: 574-267-8101  
800-622-3737  
Fax: 574-267-7804  
Toll Free Fax: 877-325-4832  
www.da-lite.com  
e-mail: info@da-lite.com

Model C with CSR (Controlled Screen Return) is a feature offered exclusively by Da-Lite to assist the quiet controlled return of the screen into the case.



YOU HAVE MADE A WISE SELECTION...

in choosing a Da-Lite projection screen, designed and engineered to produce the sharpest, most pleasing pictures with maximum convenience.

### **WALL MOUNTING**

1. Select fasteners of proper type for wall or ceiling involved.
2. Insert fasteners through proper openings provided in back side of end caps.
3. Attach screen securely to studding or other solid surface - never to plaster only.
4. MAKE SURE SCREEN IS MOUNTED LEVEL.

### **CEILING MOUNTING**

1. Heavy screw hooks may be installed into wood joists. Other types of hooks or chain may be used for other ceilings or for stage installations.
2. Insert hooks or chain through proper openings provided in sides of end caps. Screen must hang so that flat back of case is perpendicular to floor.
3. MAKE SURE SCREEN IS MOUNTED LEVEL.

### **TO OPEN SCREEN**

Pull down on pull bail until desired picture area is obtained. Lock into position as on a window shade. Be sure surface is locked before releasing.

NOTE: This screen will not lock into position in the upper portion of its travel.

### **TO RE-ROLL YOUR PICTURE SURFACE**

The Model C operates on the same principle as a window shade. Pull down about 4 inches to disengage the locking dog and start the fabric up firmly and quickly.

Large picture surfaces are heavy and will start up too slowly to prevent the locking dog from catching unless help is provided, so keep picture surface moving briskly.

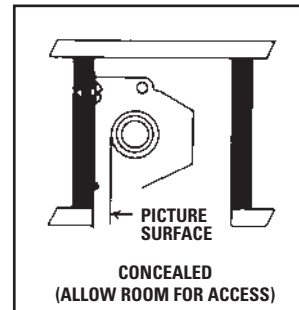
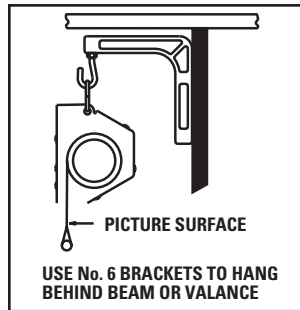
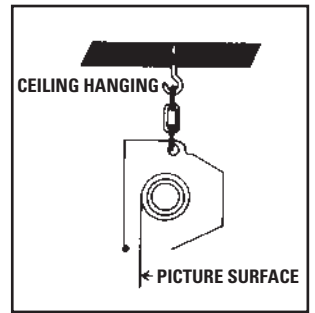
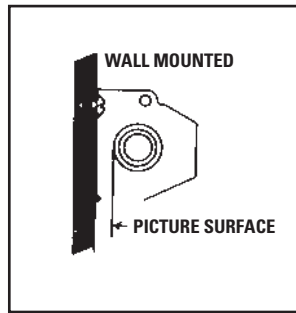
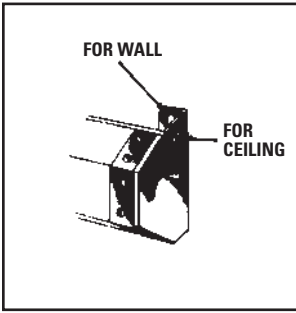
Should the locking dog catch, pull the picture surface down about 4 inches and start the surface up rapidly.

The CSR feature of this screen will allow the screen to stop, as normal, in the bottom portion of its travel. The screen will not stop in the top portion of its travel, but will continue slowly and gently into the case.

### **PROTECT YOUR SCREEN**

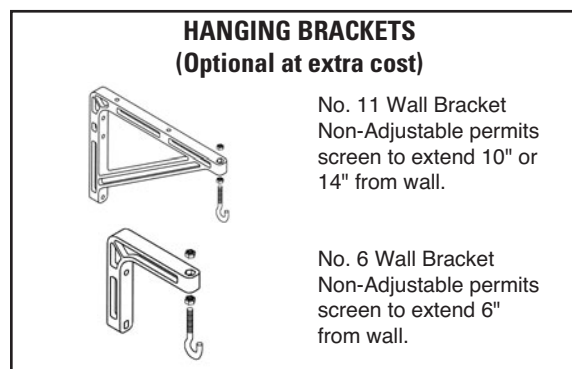
Before re-rolling surface into case, examine both front and back of surface to be sure they are free of foreign matter.

## SUGGESTED METHODS OF INSTALLATION



## MODEL C EXCLUSIVE FEATURES

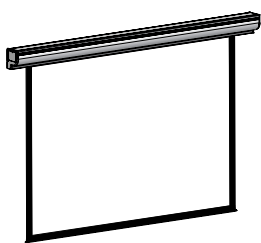
- Easily Installed
- Multi-Purpose End Caps Form Sturdy Brackets for Wall/Ceiling Installation
- Large Screens Have Aluminum Slat Saddle to Distribute Uniform Tension on Picture Surface
- Heavy Duty Grooved Metal Roller Assures Permanent Fastening of Picture Surface
- Nylon and Ball Bearing Roller Mounting
- Handsome, Rugged, Powder Coated Steel Case
- Floating Mounting Brackets  
Ceiling Trim Kit  
(optional at extra cost)



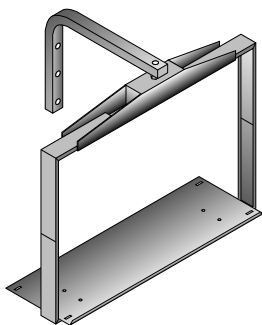
## TROUBLESHOOTING

| SYMPTOM  | CAUSE   | SOLUTION   |
|--|---|--|
| 1. Screen is retracting too slowly. Over 8 seconds retracting from the bottom into the case. | (a) The CSR adjustment is not correct.  | (a) Retract screen completely, and then rotate CSR shaft 1/2 turn at a time counterclockwise.  |
| 2. Screen is retracting too fast. Under 3 seconds retracting from the bottom into the case.  | (a) The CSR adjustment is not correct.  | (a) Retract screen completely, and then rotate CSR shaft 1/2 turn at a time clockwise.   |
| 3. Screen is retracting too slowly, and then slams the case when adjusted counterclockwise.  | (a) The CSR unit (shock absorber) is too strong.  | (a) Reset the CSR unit. Call Da-Lite (800-622-3737) for detailed instructions.   |
| 4. Screen does not retract.  | (a) Retraction procedure.<br>(b) The CSR has been over adjusted counterclockwise.<br>(c) The roller tube is bent and binding. | (a) Pull the screen down, and then retract firmly and quickly.<br>(b) The CSR unit is jammed. Reset or replace the CSR unit. Call Da-Lite (800-622-3737) for detailed instructions.<br>(c) Replace the screen. |
| 5. Screen does not stay down.  | (a) Locking procedure.<br>(b) Dog is not locking.   | (a) Pull the screen down, and then slowly retract until it locks.<br>(b) Retract screen completely, and then rotate CSR shaft 1/2 turn counterclockwise.   |

## DA-LITE IS MORE THAN PROJECTION SCREENS



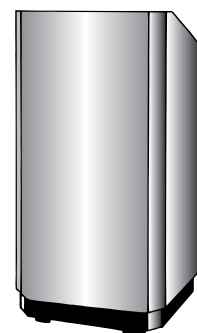
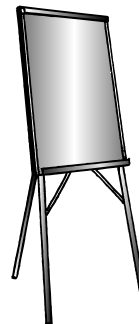
Da-Lite Tripod, Wall and Ceiling and Electric Screens



Da-Lite Mounting Systems



Da-Lite Project-O-Stands and Easels



Da-Lite Lecterns