
SPECIFICATION DATA

Tensioned Designer Contour Electrol
& Designer Contour Electrol

The logo for DA-LITE is centered within a black square. It consists of the words "DA-LITE" in a bold, white, sans-serif font, enclosed within a white rectangular border that has a slight inward curve at the top and bottom edges. A small registered trademark symbol (®) is located to the right of the word "LITE".

DA-LITE®

Table of Contents

- 3 With Agility™ Battery Motor (Lithium-Ion)
- 5 With Standard 120V (60 Hz) or 220V (50 Hz) Motor

Designer Contour® Electrol®

With Agility™ Battery Motor



SPECIFICATION DATA

SUGGESTED SPECIFICATIONS: _____projection screen(s), _____(H) x _____(W), battery operated. Shall have specially designed motor mounted inside the roller with lithium ion battery, 5V Micro-USB charging port, quick reversal type, oiled for life, with automatic thermal overload cutout, integral gears, capacitor and an electric brake to prevent coasting. To have preset but adjustable limit switches to automatically stop the viewing surface in the "up" and "down" positions. The roller to be of rigid

metal. Roller mounting brackets to be adjustable to allow centering or offsetting of the screen within the case. Screen case to be a two-piece design made of extruded aluminum. Case to be finished in white, lightly textured powder coat. Screen fabric to be flame retardant and mildew resistant with black masking borders standard. Screen to include a three-button radio frequency remote control with wall mount bracket.

Tensioned Designer Contour (HD Progressive and Da-Mat® surfaces)

Each side of the screen surface to have tab guide cable system to maintain even lateral tension and hold surface flat. Custom slat bar with added weight maintains vertical tension on the screen surface.

HDTV (16:9) Format Dimensions

Viewing Area (H x W)		Nominal Diagonal		Overall Length of Case		Approx. Ship. Wt.	
In.	Cm	In.	Cm	In.	Cm	Lbs.	Kg
45" x 80"	114 x 203	92"	234	100"	254	50	22.7
52" x 92"	132 x 234	106"	269	113"	287	56	25.4
54" x 96"	137 x 244	110"	279	117"	297	58	26.3

Wide (16:10) Format Dimensions

Viewing Area (H x W)		Nominal Diagonal		Overall Length of Case		Approx. Ship. Wt.	
In.	Cm	In.	Cm	In.	Cm	Lbs.	Kg
50" x 80"	127 x 203	94"	239	100.5"	255	50	22.7
57.5" x 92"	146 x 234	109"	277	113.5"	288	57	25.9
60" x 96"	152 x 244	113"	287	118.75"	302	59	26.8

Designer Contour (Matte White and High Contrast Matte White surfaces)

Bottom of screen surface shall be formed into a pocket holding a metal rod. Heavy duty vinyl caps shall protect the ends of the rod.

HDTV (16:9) Format Dimensions

Viewing Area (H x W)		Nominal Diagonal		Overall Length of Case		Approx. Ship. Wt.	
In.	Cm	In.	Cm	In.	Cm	Lbs.	Kg
45" x 80"	114 x 203	92"	234	93.25"	237	46	20.9
52" x 92"	132 x 234	106"	269	105.25"	267	51	23.1
54" x 96"	137 x 244	110"	279	109.25"	277	53	24.0

Wide (16:10) Format Dimensions

Viewing Area (H x W)		Nominal Diagonal		Overall Length of Case		Approx. Ship. Wt.	
In.	Cm	In.	Cm	In.	Cm	Lbs.	Kg
50" x 80"	127 x 203	94"	239	93.25"	237	50	22.7
57.5" x 92"	146 x 234	109"	277	105.25"	267	51	23.1
60" x 96"	152 x 244	113"	287	109.25"	277	53	24.0

PRODUCT NOTES

- All tensioned screens standard with 12" black drop at the top.
- All non-tensioned screens standard with 2" black drop at the top.
- Seamless in all sizes.
- Overall case length dimensions +/- 1/4".
- Detail dimensional drawings, wiring diagrams and installation instructions available upon request.
- Specifications subject to change without notice.
- Custom formats and sizes available upon request.

WHEN ORDERING, MARK APPROPRIATE SELECTIONS

1. Select size from charts.
2. Select viewing surface (All Da-Lite surfaces are GREENGUARD GOLD Certified.):

Tensioned

- HD Progressive 0.9
- HD Progressive 1.1
- Da-Mat

3. Options:

- Black case (white standard)

4. Optional accessories:

- WiFi Bridge

Non-Tensioned

- Matte White
- High Contrast Matte White

- PoE 5V Micro-USB Adapter

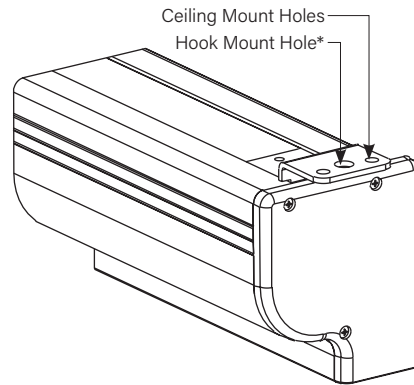
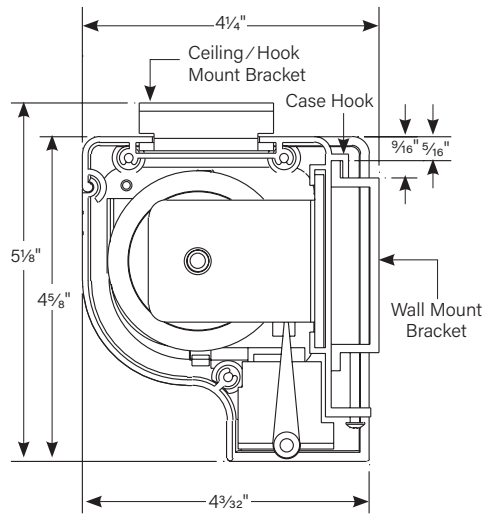
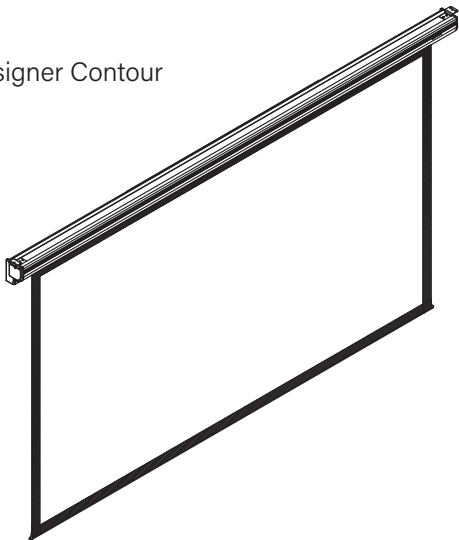
PRODUCT VIEWS

SUGGESTED METHODS OF INSTALLATION

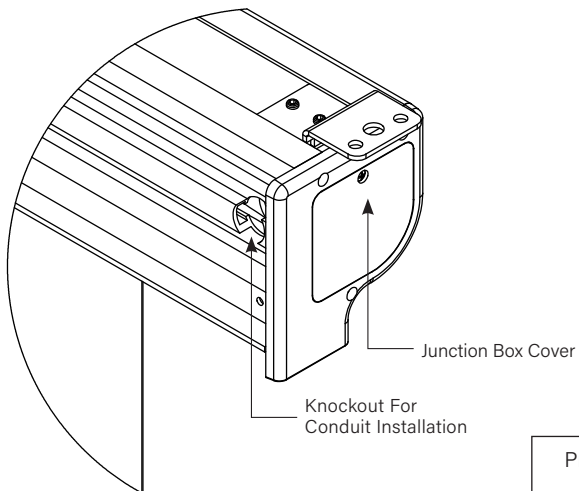
Tensioned Designer Contour



Designer Contour



***NOTE:** For non-tensioned models only. Do not hang tensioned models using hooks as movement during retraction can cause the slat to catch on case opening and result in fabric damage.



Project Name:	_____
Architect:	_____ Phone: _____
Contractor:	_____ Phone: _____
Supervisor:	_____ Phone: _____
Supplier:	_____ Date: _____
Revised:	_____

Designer Contour® Electrol®

Automatic Electric Projection Screen Model



SUGGESTED SPECIFICATIONS: _____ projection screen(s), _____(H) x _____(W), electrically operated 120 volt (60 Hz) not more than 1.2 amp. Shall have specially designed motor mounted inside the roller, to be three wire with ground, quick reversal type, oiled for life, with automatic thermal overload cutout, integral gears, capacitor and an electric brake to prevent coasting. To have preset but adjustable limit switches to automatically stop the viewing surface in the "up" and "down" positions. The roller to be of rigid metal. Roller mounting brackets to be adjustable to allow

centering or offsetting of the screen within the case. Screen case to be a two-piece design made of extruded aluminum. Case to be finished in white, lightly textured powder coat. Screen fabric to be flame retardant and mildew resistant fiberglass with black masking borders standard. Bottom of fabric shall be formed into a pocket holding a metal rod. Screen to include a three-position control switch and cover plate. Screen to be listed by Underwriters' Laboratories.



HDTV (16:9) Format Dimensions (2" Standard Black Drop at Top)

Viewing Area (H x W)		Nominal Diagonal		Overall Length of Case		Approx. Ship. Wt.	
In.	Cm	In.	Cm	In.	Cm	Lbs.	Kg
37.5" x 67"	95 x 170	77"	196	79.25"	201	37	16.8
45" x 80"	114 x 203	92"	234	93.25"	237	42	19.1
52" x 92"	132 x 234	106"	269	105.25"	267	47	21.3

Video (NTSC 4:3) Format Dimensions (2" Standard Black Drop at Top)

Viewing Area (H x W)		Nominal Diagonal		Overall Length of Case		Approx. Ship. Wt.	
In.	Cm	In.	Cm	In.	Cm	Lbs.	Kg
43" x 57"	109 x 145	72"	183	69.25"	176	34	15.4
50" x 67"	127 x 170	84"	213	79.25"	201	37	16.8
60" x 80"	152 x 203	100"	254	93.25"	237	42	19.1
69" x 92"	175 x 234	120"	305	105.25"	267	47	21.3

Square Format Dimensions

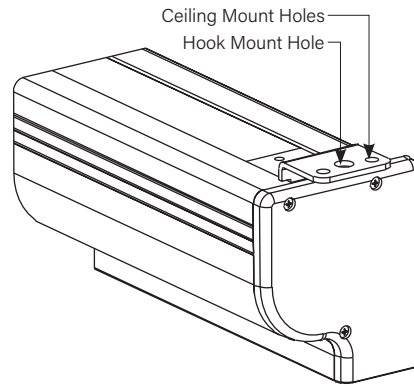
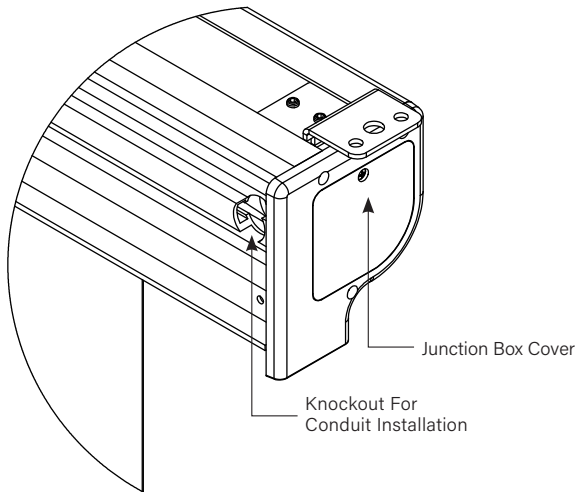
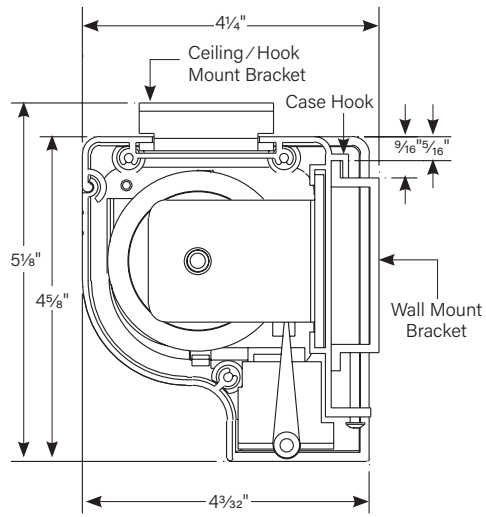
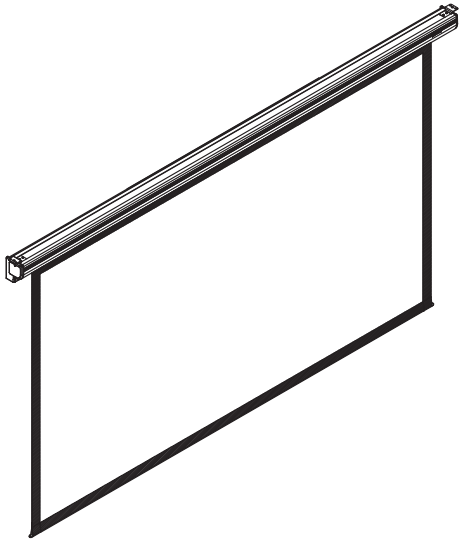
Size (H x W)		Overall Length of Case		Approx. Ship. Wt.	
In.	Cm	In.	Cm	Lbs.	Kg
60" x 60"	152 x 152	69.25"	176	34	15.4
70" x 70"	178 x 178	79.25"	201	37	16.8
84" x 84"	213 x 213	93.25"	237	42	19.1
8' x 8'	244 x 244	105.25"	267	48	21.8

PRODUCT NOTES

- Seamless in all sizes.
- Overall case length dimensions +/- 1/4".
- Detail dimensional drawings, wiring diagrams and installation instructions available upon request.
- Specifications subject to change without notice.
- Custom formats and sizes available upon request.

WHEN ORDERING, MARK APPROPRIATE SELECTIONS

- Select size from charts.
- Select viewing surface (All Da-Lite surfaces are GREENGUARD GOLD Certified.):
 - Matte White
 - High Contrast Matte White
- Options:
 - Single Motor Low Voltage Control (LVC) built-in (adds 5" to length of case)
 - Radio Frequency Remote
 - Radio Frequency Range Extender
 - Infrared Remote
 - RS-232 Interface
 - Ethernet Adapter
 - Integrated Infrared Remote (adds 5" to length of case) - Screen will include 10' power cord
 - Key Operated Switch for 120 V only (Note: Cannot be used with LVC)
 - 220 V (50 Hz) Motor
 - Black case (white standard)
 - No borders (black masking borders standard)
- Optional accessories:
 - Single Motor Low Voltage Control (LVC) external
 - Radio Frequency Remote
 - Radio Frequency Range Extender
 - Infrared Remote
 - RS-232 Interface
 - Ethernet Adapter
 - Video Projector Interface Control external
 - Key Locking Cover Plate for 120 V Switch or LVC Switch



Project Name:	_____		
Architect:	_____	Phone:	_____
Contractor:	_____	Phone:	_____
Supervisor:	_____	Phone:	_____
Supplier:	_____	Date:	_____
Revised:	_____		



FOR YOUR IMAGE | legrandav.com

USA P 866.977.3901 E av.da-lite.support@legrand.com
 CANADA P 877.345.4329 E av.da-lite.support@legrand.com
 EMEA P +31 495 580 840 E av.emea.sales@legrand.com
 APAC P +852 2145 4099 E av.asia.sales@legrand.com

© 2020 Legrand AV Inc. 200634 12/20 Da-Lite is a registered trademark of Legrand AV Inc. All other brand names or marks are used for identification purposes and are trademarks of their respective owners. All patents are protected under existing designations. Other patents pending.



COMMERCIAL BRANDS

Chief | Da-Lite | Middle Atlantic | Projecta | Vaddio