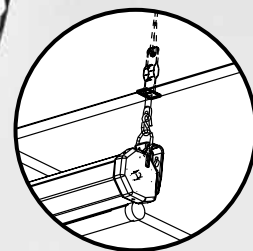


## INSTRUCTIONS FOR HANGING A DA-LITE SCREEN TO A DROP OR SUSPENDED CEILING

For use with Model B, Class-Rite or Slimline Screens. For screens up to 50 lbs. **Do not use on screens weighing over 50 lbs.**

1. Measure distance between D-rings of screen and transfer this distance to T-bar for location of T-bar clip.
2. Attach T-bar clip to T-bar as shown in Figures 1 and 2. **Note: A support wire must be attached to the top of each T-bar Clip and attach to the building structure above the suspended ceiling. These support wires should be used to support the weight of the screen only, not the suspended ceiling. The t-bar grid ceiling should be installed according to the manufacturer's instructions and the additional support wires should only support the additional weight of the screen.**
3. Insert S-hook into hole of adapter and D-ring of screen.
4. Use pliers to close both loops of S-hook.
5. Do not remove for re-use.

# The Da-Lite Difference.



### Assembly Instructions for T-BAR CLIP

#### DA-LITE SCREEN COMPANY, INC.

3100 North Detroit Street  
Post Office Box 137  
Warsaw, Indiana 46581-0137  
Phone: 574-267-8101  
800-622-3737  
Fax: 574-267-7804  
Toll Free Fax: 877-325-4832  
www.da-lite.com  
e-mail: info@da-lite.com

# T-BAR CLIP

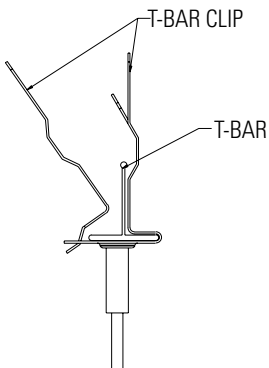
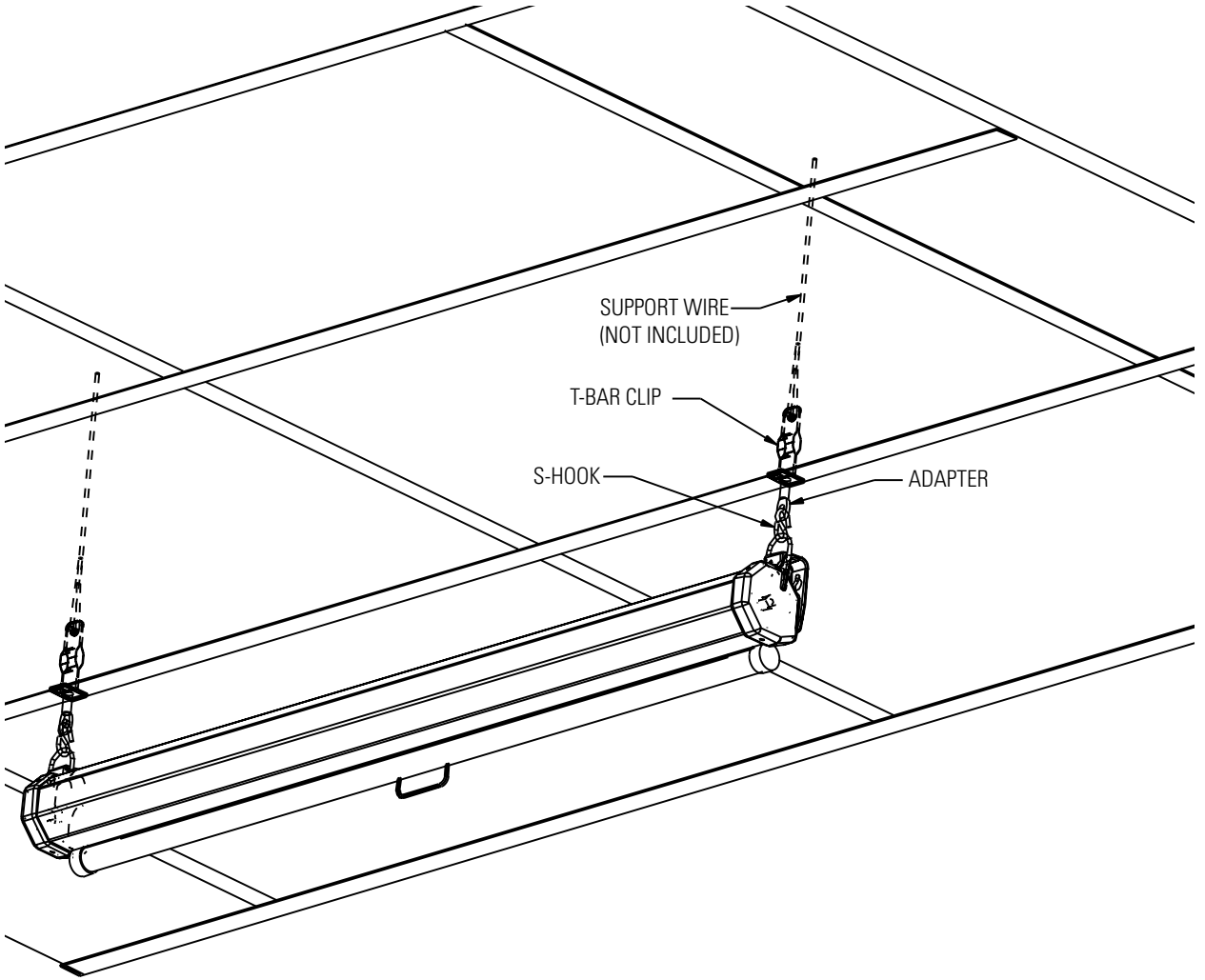


FIGURE 1

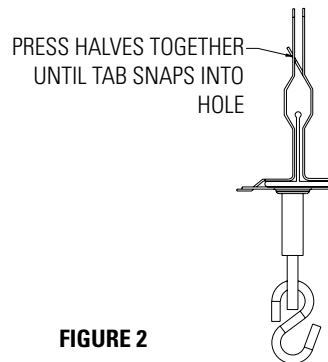


FIGURE 2