



## IMPORTANT SAFETY INSTRUCTIONS

When using your video equipment, basic safety precautions should always be followed, including the following:

1. Read and understand all instructions before using.
2. Position the cord so that it will not be tripped over, pulled, or contact hot surfaces.
3. If an extension cord is necessary, a cord with a current rating at least equal to that of the appliance should be used. Cords rated for less amperage than the appliance may overheat.
4. To reduce the risk of electric shock, do not disassemble this appliance. Contact an authorized service dealer when repair work is required. Incorrect reassembly can cause electric shock when the appliance is used subsequently.
5. The use of an accessory attachment not recommended by the manufacturer may cause a risk of fire, electric shock, or injury to persons.

## SAVE THESE INSTRUCTIONS

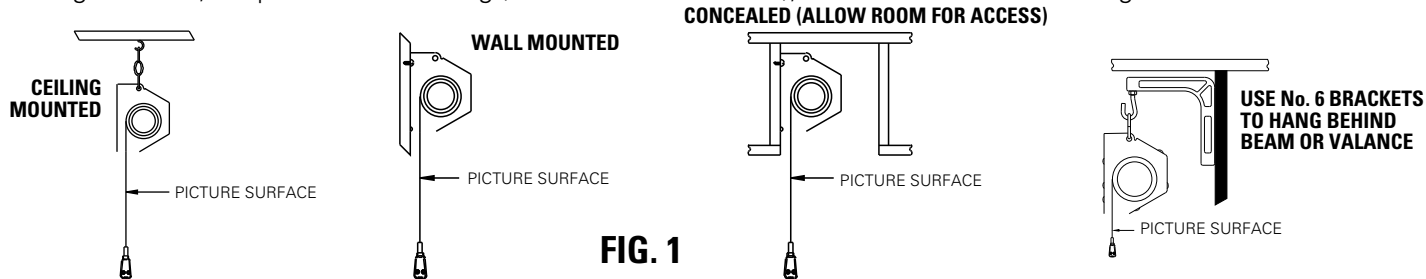
### PRE-INSTALLATION

1. Carefully unpack screen and remove outer wrapping from case.
2. Remove shipping brackets by removing the screws from the slat bar and wooden board.
3. Always handle screen in horizontal position.

### INSTALLATION

There are three methods of mounting to include:

Flush against wall; Suspended from ceiling (use extension brackets); and Recessed above ceiling.



**NOTE:** Under no circumstances should unit be completely sealed in recessed installation. Allow access for service. Picture surface is centered in case. Case extends 5-1/2" beyond surface on either end. Do not attach anything to screen slat rod or bottom fabric pocket.

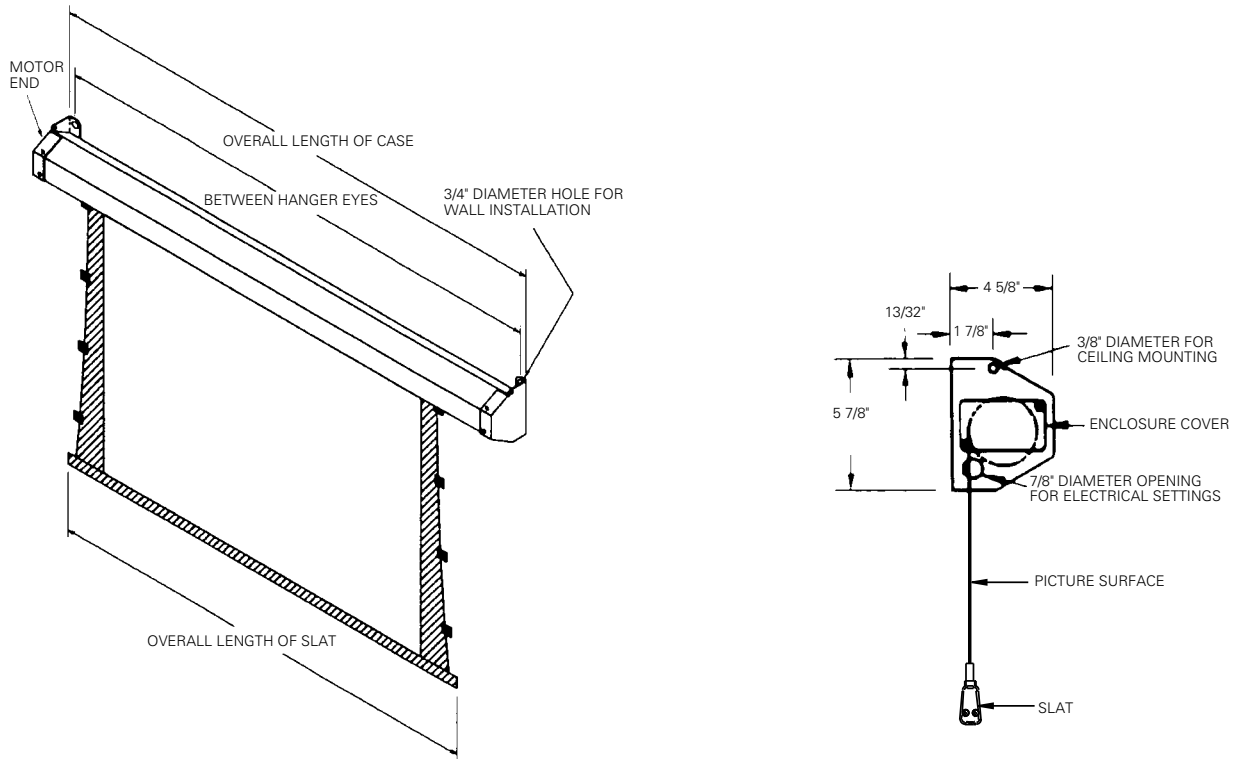
1. Make sure screen is level. Use a carpenter's level and plumb level.

**CAUTION!** Do not cut wrapping paper or tape with knife or any sharp tool. Remove by hand.

2. Install electrical hook-up that applies to your unit. Make sure to review your Electrical Installation Checklists and Wiring Diagrams (included) for either 120 Volt Switch, 220/240 Volt Switch, or Low Voltage Control.
3. Test installation by running screen up and down a few times. Be prepared to stop screen. Standard Duty Cycle: 1 MIN. ON / 3 MIN. OFF.

**NOTE: Must be installed in accordance with the requirements of the Local Building Codes, the Canadian Electrical Code (CEC), CAN/CSA C22.1 and the National Electric Code (NEC), NFPA 70.**

**TENSIONED COSMOPOLITAN® ELECTROL® INSTALLATION**



**FIG. 2**

## SCREEN ADJUSTMENT FOR 120V SCREENS WITHOUT A BUILT-IN LOW VOLTAGE CONTROL

The screen surface travel is stopped automatically in the fully opened and closed positions by limit switches that are properly adjusted at Da-Lite. The screen should not be adjusted for more or less drop. The fabric cables are adjusted for proper vertical and lateral tension at Da-Lite.

Should the picture surface get out of adjustment and it be necessary to adjust picture surface drop, proceed in the following manner.

**NOTE:** Use a small flat screwdriver or 5/32" Allen wrench to make adjustments.

### SETTING THE DOWN LIMIT POSITION

TO REDUCE SCREEN DROP:

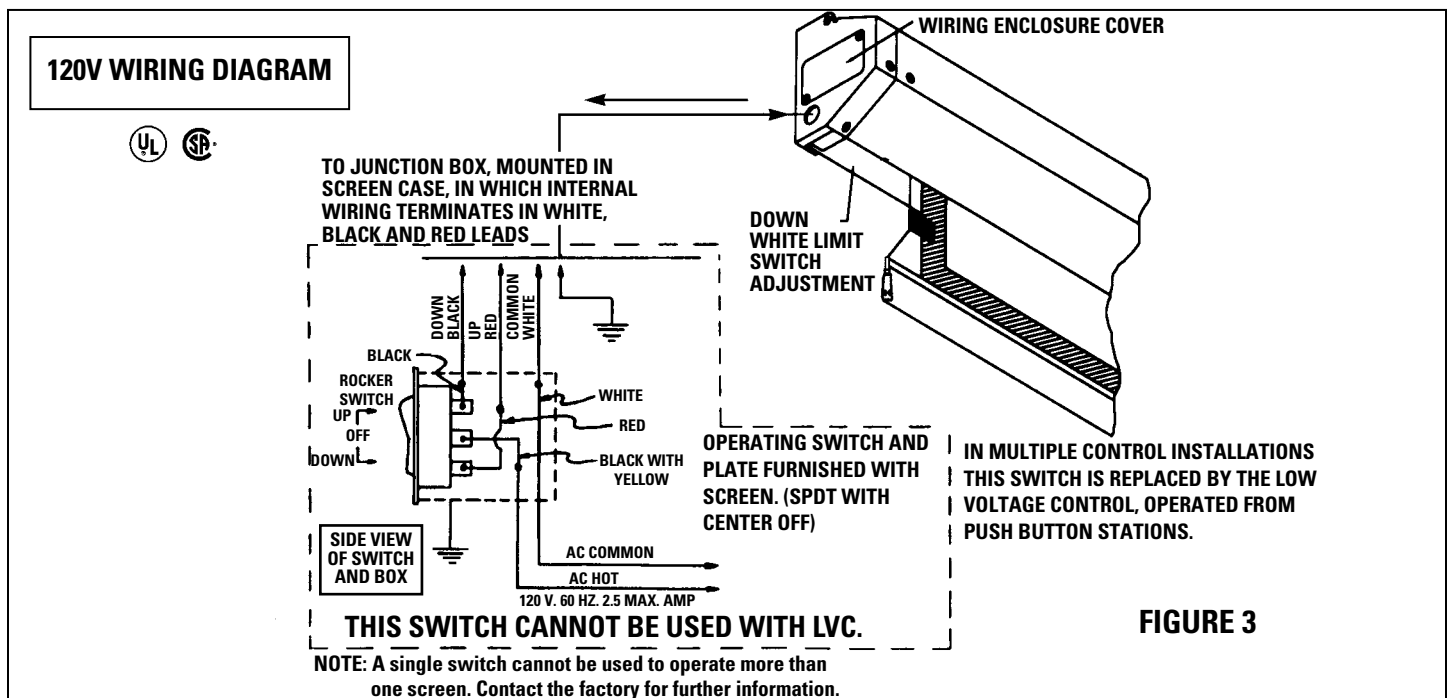
Turn the white limit switch screw clockwise to decrease the amount of screen drop. Run the screen down to test the stop position. If the screen drops too far, raise the screen about one foot and adjust the limit switch again. Repeat until the desired position is set.

TO INCREASE SCREEN DROP:

Turn the white limit switch screw counterclockwise to increase the amount of screen drop. Run the screen down to test the stop position. If the screen does not drop enough, raise the screen about one foot and adjust the limit switch again. Repeat until the desired position is set.

**CAUTION:** Do not adjust for more drop than what was ordered. At least 1-1/2 wraps of fabric must remain on the roller. This screen comes standard with 12" black at the top.

## TENSIONED COSMOPOLITAN® ELECTROL® INSTALLATION



## **SCREEN ADJUSTMENT FOR 220/240V SCREENS WITHOUT A BUILT-IN LOW VOLTAGE CONTROL**

The screen surface travel is stopped automatically in the fully opened and closed positions by limit switches that are properly adjusted at Da-Lite. The screen should not be adjusted for more or less drop. The fabric cables are adjusted for proper vertical and lateral tension at Da-Lite.

Should the picture surface get out of adjustment and it be necessary to adjust picture surface drop, proceed in the following manner.

**NOTE:** Use a small flat screwdriver or 5/32" Allen wrench to make adjustments.

### **SETTING THE DOWN LIMIT POSITION**

#### **TO REDUCE SCREEN DROP:**

Turn the white limit switch screw clockwise to decrease the amount of screen drop. Run the screen down to test the stop position. If the screen drops too far, raise the screen about one foot and adjust the limit switch again. Repeat until the desired position is set.

#### **TO INCREASE SCREEN DROP:**

Turn the white limit switch screw counterclockwise to increase the amount of screen drop. Run the screen down to test the stop position. If the screen does not drop enough, raise the screen about one foot and adjust the limit switch again. Repeat until the desired position is set.



**CAUTION: Do not adjust for more drop than what was ordered. At least 1-1/2 wraps of fabric must remain on the roller. This screen comes standard with 12" black at the top.**

## **TENSIONED COSMOPOLITAN® ELECTROL® INSTALLATION**

### **240 VOLT WIRING DIAGRAM FOR STANDARD WALL SWITCH:**

Da-Lite offers two styles of 240 volt wall switches for standard operation. Please see wiring diagram included in wall switch box included with screen.

**FIGURE 3**

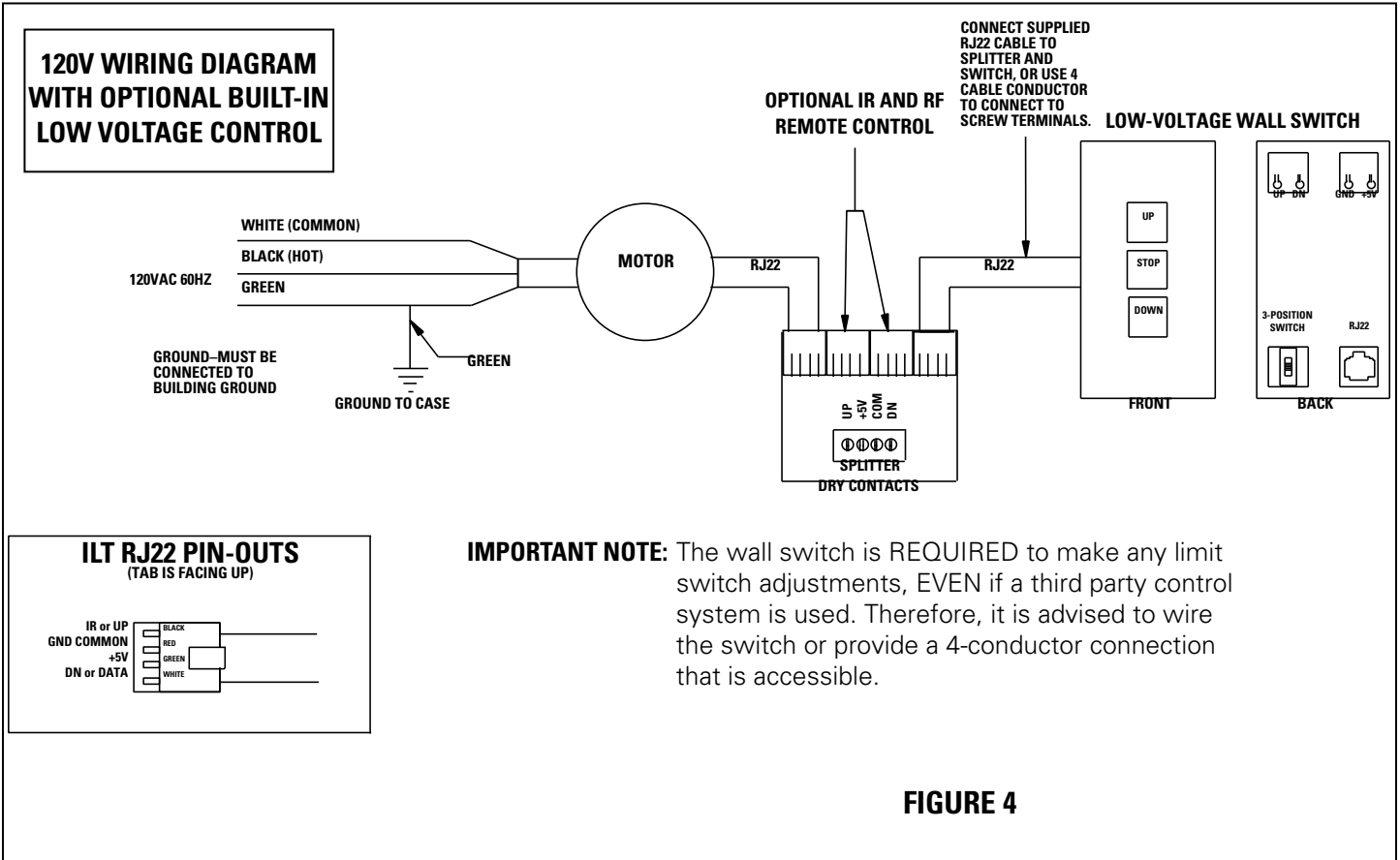
## **SCREEN ADJUSTMENT FOR SCREENS WITH A BUILT-IN LOW VOLTAGE CONTROL**

1. Remove the cover plate from the 3-button wall switch and remove the switch from the junction box.
2. Locate small 3-position switch on back of wall switch. See Figure 4 for 120V screens or Figure 5 for 220/240V screens.
3. To adjust the down limit switch, slide the 3-position switch to the down position. Press and hold the down button to run the screen down to the desired stop position. Release the button to stop the screen. **DO NOT PUSH THE STOP BUTTON.**
4. When the screen is in the desired down position, slide the 3-position switch to the off (center) position. The down limit switch is now set.
5. To adjust the up limit switch, slide the 3-position switch to the up position. Press and hold the up button to run the screen up to the desired stop position. Release the button to stop the screen. **DO NOT PUSH THE STOP BUTTON.**
6. When the screen is in the desired up position, slide the 3-position switch to the off (center) position. The up limit switch is now set.
7. To test limit switch setting, make sure the 3-position switch is in the off (center) position. Press and release the up or down button on the wall switch to operate the screen.
8. Replace switch and cover plate on the wall.

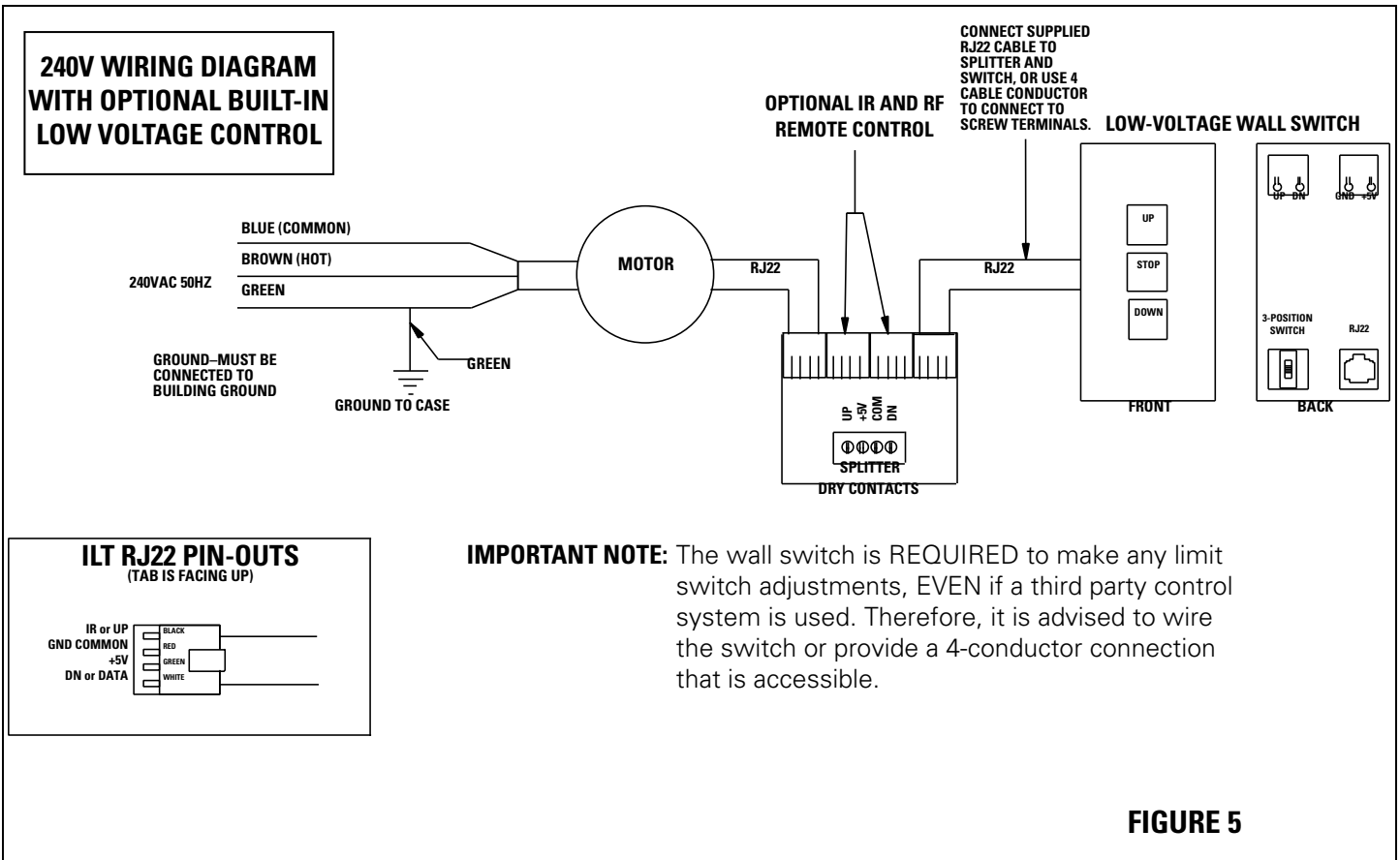
**NOTE:** If stop button is pressed, the wall switch will reverse direction. To correct this, press the stop button again. This will reset the switch. You will have to re-set both the up and the down settings.

**IMPORTANT NOTE:** The wall switch is **REQUIRED** to make any limit switch adjustments, **EVEN** if a third party control system is used. Therefore, it is advised to wire the switch or provide a 4-conductor connection that is accessible.

# TENSIONED COSMOPOLITAN® ELECTROL® INSTALLATION



**FIGURE 4**



**FIGURE 5**

## TROUBLESHOOTING

SYMPTOM	CAUSE	SOLUTION
<p>1. Screen will not operate. Motor does <b>not</b> hum.</p> <p>Motor <b>hums</b>.</p>	<p>(a) Incorrect line voltage.</p> <p>(b) Blown fuse.</p> <p>(c) Tripped circuit breaker.</p> <p>(d) No power to operating switch or junction.</p> <p>Power at junction box</p> <p>(e) Thermal overload tripped.</p> <p>(f) Broken wire in the <b>"up"</b> or <b>"down"</b> position.</p> <p>(g) Defective motor, limit switch or capacitor.</p> <p>(h) Temporary binding.</p> <p>(i) Capacitor burned out.</p>	<p>(a) Verify 115-125V (or 220-240V). If insufficient voltage, rewire incoming electric line.</p> <p>(b) Replace fuse.</p> <p>(c) Reset circuit breaker.</p> <p>(d) Check above. Tighten all loose wire connections. Correct any improper connections.</p> <p><b>"Down" Position</b> Check for power across black and white leads.</p> <p><b>"Up" Position</b> Check for power across red and white leads.</p> <p>(e) Let motor cool down for 15 minutes. Try again.</p> <p>(f) Check for continuity. Cut off old splice and reconnect.</p> <p>(g) Replace motor assembly. <b>NOTE: Motor is a sealed assembly.</b></p> <p>(h) With power <b>"off"</b>, turn roller by hand to free binding.</p> <p>(i) Replace motor assembly.</p>
2. Incorrect stopping position in <b>downward</b> direction.	(a) <b>"Down"</b> limit switch out of adjustment	(a) See installation instructions.
3. Incorrect stopping position in <b>upward</b> direction.	(a) <b>"Up"</b> limit switch out of adjustment	(a) Adjust <b>"up"</b> limit switch. Call the factory for instructions.
4. Noise. <b>NOTE: Screen will operate with a low pitched hum.</b>	(a) Gear noise.	(a) Replace motor assembly.
5. Coasting.	(a) Defective brake.	(a) Replace motor assembly.
6. Roller displaced from mounting bracket.	(a) Pin end slipped out of nylon bearing.	(a) Realign pin end bracket.