

# Cosmopolitan® Electrol®

Automatic Electric Projection Screen Model



SPECIFICATION DATA

**SUGGESTED SPECIFICATIONS:** \_\_\_\_\_ projection screen(s), \_\_\_\_\_ (H) x \_\_\_\_\_ (W), electrically operated 120 volt (60 Hz) not more than 2.4 amp. Shall have specially designed motor mounted inside the roller, to be three wire with ground quick reversal type, oiled for life, with automatic thermal overload cut-out, integral gears, capacitor and an electric brake to prevent coasting. To have pre-set but adjustable limit switches to automatically stop picture surface in the "up" and "down" positions. The roller to be of rigid metal. Screen fabric to be flame retardant and mildew resistant fiberglass with

black masking borders standard. Bottom of fabric shall be formed into a pocket holding a metal rod. Case to be powder coated white 21-gauge steel, hexagon in shape with flat back to prevent scraping fabric. Case end caps to be heavy duty, allowing no exposed roller pins. End caps shall form sturdy brackets for wall or ceiling installation. To be complete with three position control switch with cover plate. Screen to be listed by Underwriters' Laboratories.



## Video (NTSC 4:3) Format Dimensions (2" Standard Black Drop At Top)

Viewing Area (H x W)		Nominal Diagonal		A - Overall Length of Case		B - Between Hanger Eyes		Approx. Ship. Wt.	
In.	Cm	In.	Cm	In.	Cm	In.	Cm	Lbs.	Kg
43" x 57"	109 x 145	72"	183	68"	173	66½"	169	37	16.8
50" x 67"	127 x 170	84"	213	78"	198	76½"	194	41	18.6
57" x 77"	145 x 196	96"	244	92"	234	90½"	230	48	21.8
60" x 80"	152 x 203	100"	254	92"	234	90½"	230	48	21.8
69" x 92"	175 x 234	120"	305	104"	264	102½"	260	52	23.6
87" x 116"	221 x 295	150"	381	128"	325	126½"	321	75	34.0
105" x 140"	267 x 356	180"	457	152"	386	150½"	382	92	41.7

## HDTV (16:9) Format Dimensions (2" Standard Black Drop At Top)

Viewing Area (H x W)		Nominal Diagonal		A - Overall Length of Case		B - Between Hanger Eyes		Approx. Ship. Wt.	
In.	Cm	In.	Cm	In.	Cm	In.	Cm	Lbs.	Kg
45" x 80"	114 x 203	92"	234	92"	234	90½"	230	48	21.8
52" x 92"	132 x 234	106"	269	104"	264	102½"	260	51	23.1
54" x 96"	137 x 244	110"	279	108"	274	106½"	271	53	24.0
58" x 104"	147 x 264	119"	302	116"	295	114½"	291	56	25.4
65" x 116"	165 x 295	133"	338	128"	325	126½"	321	65	29.5
78" x 139"	198 x 353	159"	404	152"	386	150½"	382	85	38.6

## Wide (16:10) Format Dimensions (2" Standard Black Drop At Top)

Viewing Area (H x W)		Nominal Diagonal		A - Overall Length of Case		B - Between Hanger Eyes		Approx. Ship. Wt.	
In.	Cm	In.	Cm	In.	Cm	In.	Cm	Lbs.	Kg
50" x 80"	127 x 203	94"	239	92"	234	90½"	230	48	21.8
57½" x 92"	146 x 234	109"	277	104"	264	102½"	260	51	23.1
60" x 96"	152 x 244	113"	287	108"	274	106½"	271	53	24.0
65" x 104"	165 x 264	123"	312	116"	295	114½"	291	60	27.2
69" x 110"	175 x 279	130"	330	122"	310	120½"	306	61	27.7
72½" x 116"	184 x 295	137"	348	128"	325	126½"	321	65	29.5
87" x 139"	221 x 353	164"	417	152"	386	150½"	382	85	38.6

## SQUARE FORMAT DIMENSIONS

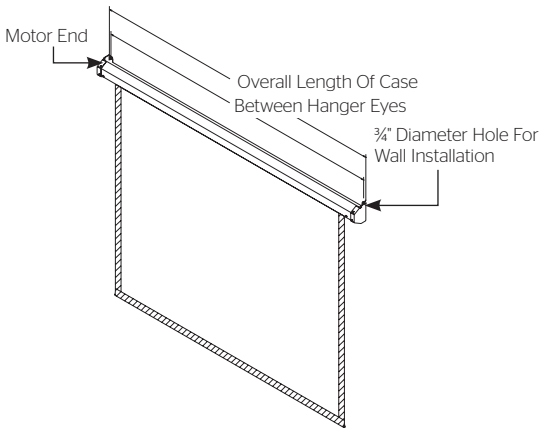
Sizes (H x W)		A - Overall Length of Case		B - Between Hanger Eyes		Approx. Ship. Wt.	
In.	Cm	In.	Cm	In.	Cm	Lbs.	Kg
50" x 50"	127 x 127	58"	147	56½"	144	33	15
60" x 60"	152 x 152	68"	172	66½"	169	38	17.2
70" x 70"	178 x 178	78"	198	76½"	194	41	18.6
84" x 84"	213 x 213	92"	234	90½"	230	49	22.2
6' x 8"	183 x 244	104"	264	102½"	260	52	23.6
8' x 8"	244 x 244	104"	264	102½"	260	55	25.0
7' x 9"	213 x 274	116"	295	114½"	291	57	25.9
9' x 9"	274 x 274	116"	295	114½"	291	62	28.1
8' x 10"	244 x 305	128"	325	126½"	321	75	34.0
10' x 10"	305 x 305	128"	325	126½"	321	78	35.4
9' x 12"	274 x 366	152"	386	150½"	382	92	41.7

\*Includes 2" Standard Black Drop

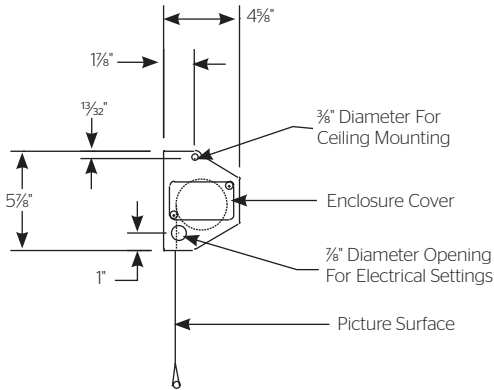
**PRODUCT NOTES**

- **Matte White:** Horizontal seam required when both dimensions exceed 10'.
- **High Contrast Matte White:** Available in sizes where both dimensions do not exceed 10'.
- **Video Spectra 1.5:** Available in sizes where both dimensions do not exceed 8'.
- **Silver Lite 2.5:** Available in sizes up to and including 8' x 8'.
- **High Power®:** Horizontal seam required when both dimensions exceed 8'.
- Overall case length dimensions +/- 1/4" (6mm).
- Specifications subject to change without notice.
- Custom formats and sizes available upon request.

**PRODUCT VIEWS**



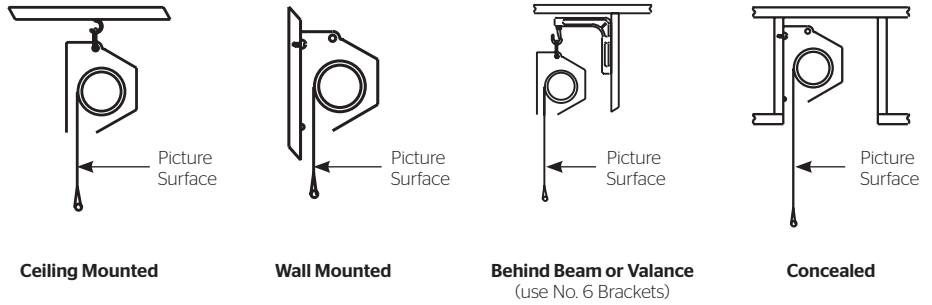
**Left View**



**WHEN ORDERING, MARK APPROPRIATE SELECTIONS:**

- Select size from charts on the other side.
  - Matte White
  - Silver Lite 2.5
  - High Power®
  - Video Spectra 1.5
  - High Contrast Matte White
- Optional accessories:
  - Extra Drop available to lower picture area more than normal. Specify total drop at top \_\_\_\_ (black or white) or at bottom \_\_\_\_ (black or white). 13' maximum total surface height including picture area.
  - No borders (Black masking borders standard).
  - Single Motor Low Voltage Control (LVC) - external.
  - Single Motor Low Voltage Control (LVC) - built-in.
  - Wireless Remote Control for LVC.
    - Radio Frequency Remote.
    - Radio Frequency Range Extender available.
    - Infrared Remote.
  - Silent Motor (available on sizes up to 10' x 10').
  - Silent Motor with Integrated LVC (on sizes up to 10' x 10').
  - Key Locking Cover Plate for 120 V Switch or LVC Switch.
  - Key Operated Switch for 120 V only (Note: Cannot be used with LVC).
  - 220 Volt (50 Hz) Motor.
  - No. 6 Wall Bracket - 6" non-adjustable extension brackets (75# maximum per pair) (black or white).
  - Ceiling Trim Kit. Built in LVC recommended.
  - Video Projector Interface Control - external.
  - Video Projector Interface Control - built-in (120V motor only).
  - Floating Mounting Bracket. Recommended for drywall installations (black or white).
  - Veneer Frame Finish (Choose from seven standard veneers).
    - Light Oak
    - Medium Oak
    - Natural Walnut
    - Heritage Walnut
    - Mahogany
    - Cherry
    - Honey Maple
  - External SCB-100 - RS-232 Serial Control Board.
  - NET-100 Ethernet-Serial Adapter.
  - Black case (white standard).

**SUGGESTED METHODS OF INSTALLATION**



A Milestone AV Technologies Brand

3100 North Detroit Street  
 Warsaw, Indiana 46582  
 P: 574.267.8101 or 800.622.3737  
 F: 574.267.7804 or 877.325.4832  
 E: info@da-lite.com  
 www.da-lite.com

DL-0210 (Rev. 1) 07.14  
 © 2014 Milestone AV Technologies LLC. Printed in U.S.A.

Project Name: \_\_\_\_\_  
 Architect: \_\_\_\_\_  
 Contractor: \_\_\_\_\_ Phone: \_\_\_\_\_  
 Reseller: \_\_\_\_\_ Phone: \_\_\_\_\_