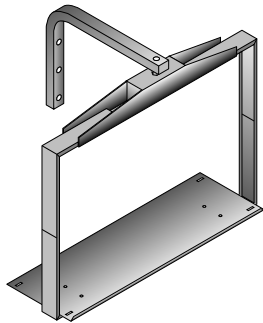
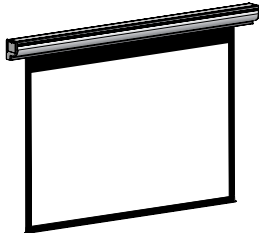
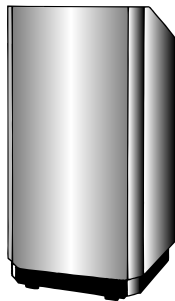


**DA-LITE IS MORE  
THAN PROJECTION SCREENS**

Da-Lite Tripod, Wall and  
Ceiling and Electric Screens



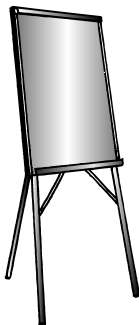
Da-Lite  
Monitor Mounts



Da-Lite Lecterns

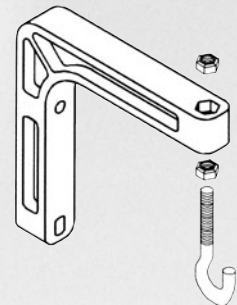


Da-Lite  
Project-O-Stands  
and Easels



79163 Rev. 9/07

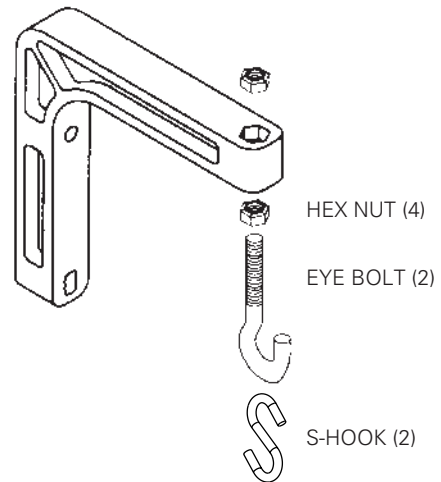
*The*  
**POWER** *In*  
**PRESENTATION PRODUCTS**



**Mounting Instructions  
for  
WALL BRACKETS**

**DA-LITE SCREEN COMPANY, INC.**  
3100 North Detroit Street  
Post Office Box 137  
Warsaw, Indiana 46581-0137  
Phone: 574-267-8101  
800-622-3737  
Fax: 574-267-7804  
www.da-lite.com  
e-mail: info@da-lite.com

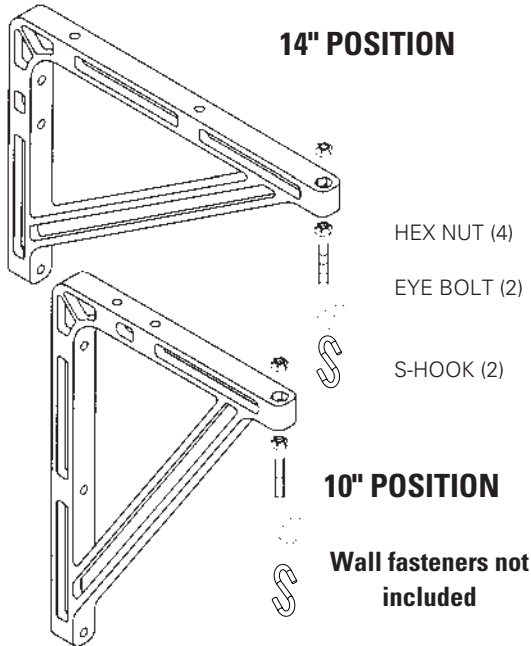
## No. 6 EXTENSION WALL BRACKETS



### Wall fasteners not included

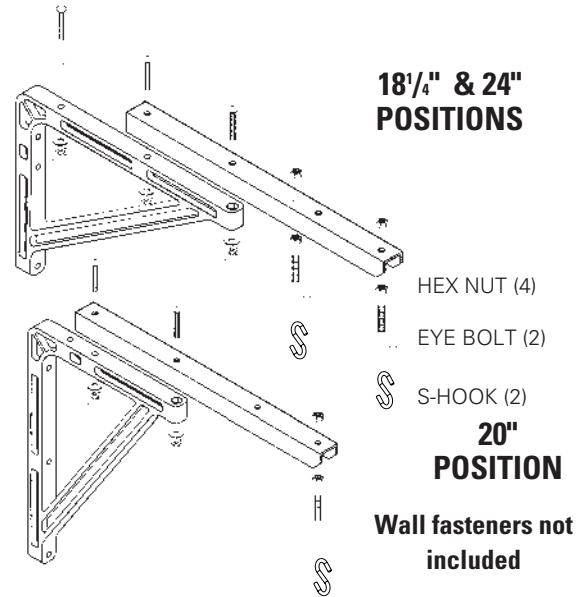
- Screen can be extended 6" from wall.
- Install eye bolts in wall brackets. Determine the height and location of the screen to be mounted and mark. Measure the distance between the centers of the 2 mounting rings on the screen. Transfer the measurement to the wall and attach the wall brackets securely to the wall at those points.
- Maximum recommended fastener size is  $\frac{5}{16}$ " diameter.
- Do not overtighten fasteners.
- Hang screen on eye bolts.
- Extension wall brackets are only to be used with screens weighing 75 pounds or less.
- For Model C, Model C with CSR and Cosmopolitan® screens: Hang screen from the eye bolts with S-hooks. **Crimp both loops of S-hooks closed.**
- To provide proper tilt and eliminate keystoneing pull the screen down, then hook it back to the wall by attaching the bail handle to an accessory Tilt Lock, Da-Lite part No. 40965. Tilt Lock is sold separately.

## No. 11 EXTENSION WALL BRACKETS



- Screen can be extended 10" or 14" from wall by simple selecting one of the two mounting positions shown above.
- Install eye bolts in wall brackets. Determine the height and location of the screen to be mounted and mark. Measure the distance between the centers of the 2 mounting rings on the screen. Transfer the measurement to the wall and attach the wall brackets securely to the wall at those points.
- Maximum recommended fastener size is  $\frac{5}{16}$ " diameter.
- Do not overtighten fasteners.
- Hang screen on eye bolts.
- Extension wall brackets are only to be used with screens weighing 75 pounds or less.
- For Model C, Model C with CSR and Cosmopolitan® screens: Hang screen from the eye bolts with S-hooks. **Crimp both loops of S-hooks closed.**
- To provide proper tilt and eliminate keystone-ing pull the screen down, then hook it back to the wall by attaching the bail handle to an accessory Tilt Lock, Da-Lite part No. 40965. Tilt Lock is sold separately.

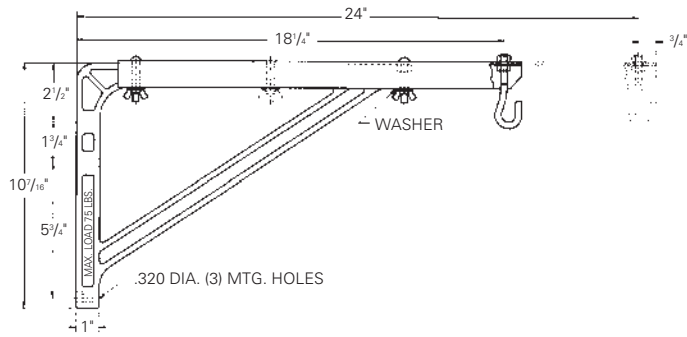
## No. 23 EXTENSION WALL BRACKETS



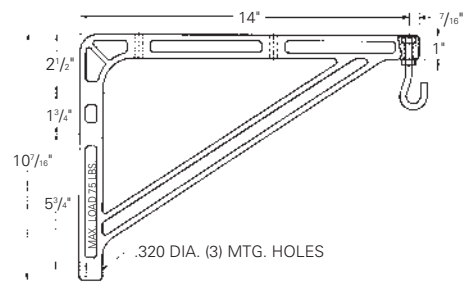
- Screen can be extended 18 1/4", 20" or 24" from wall by simple selecting one of the two mounting positions shown above and wing nut and bolt adjustment.
- Extension arm holes should be lined up with desired holes in plastic bracket. Attach extension arms to wall brackets.
- Install eye bolts in extension arms. Determine the height and location of the screen to be mounted and mark. Measure the distance between the centers of the 2 mounting rings on the screen. Transfer the measurement to the wall and attach the wall brackets securely to the wall at those points.
- Maximum recommended fastener size is  $\frac{5}{16}$ " diameter.
- Do not overtighten fasteners.
- Hang screen on eye bolts.
- Extension wall brackets are only to be used with screens weighing 75 pounds or less.
- For Model C, Model C with CSR and Cosmopolitan® screens: Hang screen from the eye bolts with S-hooks. **Crimp both loops of S-hooks closed.**
- To provide proper tilt and eliminate keystone-ing pull the screen down, then hook it back to the wall by attaching the bail handle to an accessory Tilt Lock, Da-Lite part No. 40965. Tilt Lock is sold separately.

## EXTENSION WALL MOUNTING BRACKETS

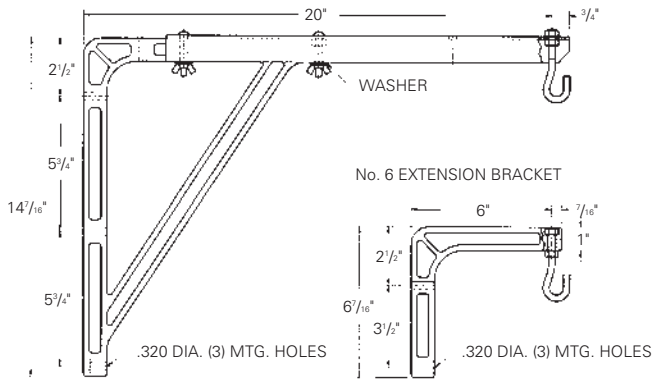
No. 23 ADJUSTABLE EXTENSION BRACKET - SHOWING 2 POSITIONS



No. 11 EXTENSION BRACKET



No. 23 ADJUSTABLE EXTENSION BRACKET - SHOWING 1 POSITION



No. 6 EXTENSION BRACKET

No. 11 EXTENSION BRACKET

