

Advantage[®] Manual with CSR

Controlled Screen Return



SPECIFICATION DATA

SUGGESTED SPECIFICATIONS: _____ projection screen(s), _____(H) x _____(W), recessed ceiling mounting type. To have surface with black masking borders standard on flame retardant and mildew resistant fiberglass fabric, mounted on a ball bearing rigid steel spring roller. To be equipped with Controlled Screen Return (CSR) to control the return speed of the screen surface back into the case. Fabric to be permanently attached to roller. Top, front, and back of case to be made of extruded aluminum. End caps to be of heavy gauge steel. Bottom of case to have a removable access door. Entire case to be powder coated white. Bottom of case to be self-trimming,

with a built-in flange around the bottom of the case. Bottom of screen shall be formed into pocket holding tubular metal slat. A steel pull bail shall be attached to the slat. Heavy-duty plastic caps shall protect the ends of the slat. Metal bumper stops shall be built into the case to prevent slat wedging inside case. A 6' pull cord with plastic knob is included. Roller mounting brackets to be adjustable to allow centering or offsetting the screen within the case. Suitable for use in environmental air space in accordance with section 300-22 (c) of the National Electric Code, and sections 2-128, 12-010 (3) and 12-100 of the Canadian Electrical Code, part 1, CSA C22.1.

Video (NTSC 4:3) Format Dimensions

Viewing Area (H x W)		Nominal Diagonal		Overall Length of Case*		Approx. Ship. Wt.	
In.	Cm	In.	Cm	In.	Cm	Lbs.	Kg
43" x 57"	109 x 145	72"	183	65½"	166	60	27.2
50" x 67"	127 x 170	84"	213	75½"	192	65	29.5
57" x 77"	145 x 196	96"	244	89½"	227	77	34.9
60" x 80"	152 x 203	100"	254	89½"	227	77	34.9
69" x 92"	175 x 234	120"	305	101½"	258	89	40.4
87" x 116"	221 x 295	150"	381	125½"	319	100	45.4
105" x 140"	267 x 356	180"	457	149½"	380	106	48.1
120" x 160"	305 x 406	200"	508	169½"	430	123	55.8

HDTV (16:9) Format Dimensions

Viewing Area (H x W)		Nominal Diagonal		Overall Length of Case*		Approx. Ship. Wt.	
In.	Cm	In.	Cm	In.	Cm	Lbs.	Kg
45" x 80"	114 x 203	92"	234	89½"	227	75	34.0
52" x 92"	132 x 234	106"	269	101½"	258	88	39.9
54" x 96"	137 x 244	110"	279	105½"	268	89	40.4
58" x 104"	147 x 264	119"	302	113½"	288	95	43.1
65" x 116"	165 x 295	133"	338	125½"	319	98	44.5
78" x 139"	198 x 353	159"	404	149½"	380	104	47.2

Wide (16:10) Format Dimensions

Viewing Area (H x W)		Nominal Diagonal		Overall Length of Case*		Approx. Ship. Wt.	
In.	Cm	In.	Cm	In.	Cm	Lbs.	Kg
50" x 80"	127 x 203	94"	239	89½"	227	79	35.8
57½" x 92"	146 x 234	109"	277	101½"	258	92	41.7
60" x 96"	152 x 244	113"	287	105½"	268	95	43.1
65" x 104"	165 x 264	123"	312	113½"	288	95	43.1
69" x 110"	175 x 279	130"	330	119½"	304	97	44.0
72½" x 116"	184 x 295	137"	348	125½"	319	100	45.4
87" x 139"	221 x 353	164"	417	149½"	380	119	54.0

Square Format Dimensions

Sizes (H x W)		Overall Length of Case*		Approx. Ship. Wt.	
In.	Cm	In.	Cm	Lbs.	Kg
60" x 60"	152 x 152	65½"	166	61	27.7
70" x 70"	178 x 178	75½"	192	68	30.8
84" x 84"	213 x 213	89½"	227	79	35.8
6' x 8'	183 x 244	101½"	258	89	40.4
8' x 8'	244 x 244	101½"	258	91	41.3
7' x 9'	213 x 274	113½"	288	96	43.5
9' x 9'	274 x 274	113½"	288	97	44.0
8' x 10'	244 x 305	125½"	319	100	45.4
10' x 10'	305 x 305	125½"	319	102	46.3
9' x 12'	274 x 366	149½"	380	106	48.1
12' x 12'	366 x 366	149½"	380	119	54.0

*Case length does not include flange

PRODUCT NOTES

- Overall case length dimensions +/- 1/4".
- Detail dimensional drawings and installation instructions available upon request.
- Specifications subject to change without notice.
- Custom formats and sizes available upon request.
- **Matte White:** Horizontal seam required when both dimensions exceed 10'.
- **Video Spectra 1.5 and High Contrast Matte White:** Available in sizes where both dimensions do not exceed 8'.
- **High Power®:** Available in sizes up to 9' x 12'. Horizontal seam required when both dimensions exceed 6'.

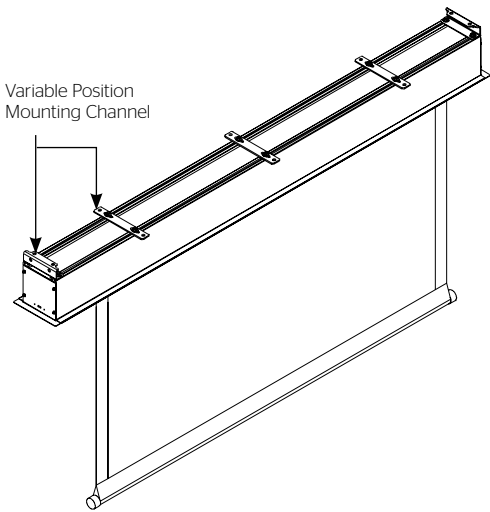
WHEN ORDERING, MARK APPROPRIATE SELECTIONS:

1. Select size from charts on the other side.
2. Select viewing surface (All Da-Lite surfaces are GREENGUARD GOLD Certified):

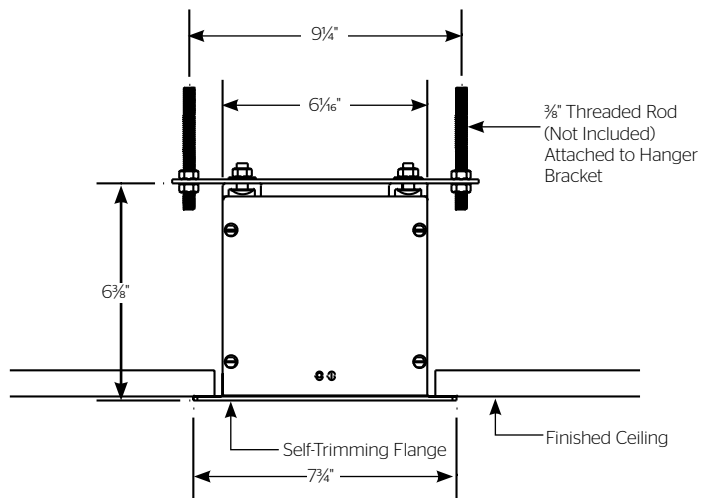
<input type="checkbox"/> Matte White	<input type="checkbox"/> High Contrast Matte White
<input type="checkbox"/> Video Spectra 1.5	<input type="checkbox"/> High Power®
3. Optional accessories:

<input type="checkbox"/> Extra Drop available to lower picture area more than normal. Specify total drop at top ____ (black or white) or at bottom ____ (black or white). 13' maximum total surface height including picture area.	<input type="checkbox"/> No Borders (Black masking borders standard).
	<input type="checkbox"/> Pull Rod - 38".

PRODUCT VIEWS



SUGGESTED METHOD OF INSTALLATION



A Milestone AV Technologies Brand

3100 North Detroit Street
 Warsaw, Indiana 46582
 P: 574.267.8101 or 800.622.3737
 F: 574.267.7804 or 877.325.4832
 E: info@da-lite.com
 www.da-lite.com

DL-0208 11.13
 © 2013 Milestone AV Technologies LLC. Printed in U.S.A.

Project Name: _____	
Architect: _____	
Contractor: _____	Phone: _____
Reseller: _____	Phone: _____