



---

INSTRUCTION BOOK FOR  
IDEA™ Panoramic

---

**IDEA**™ Screen

**DA-LITE**®

## Preparation

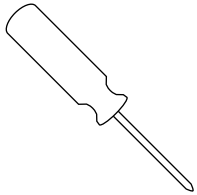
---

**Note:** It requires at least four people to assemble an IDEA Panoramic. To maintain optimal projected image geometry and screen alignment, a flat and straight wall free from obstructions and angular distortions should be used.

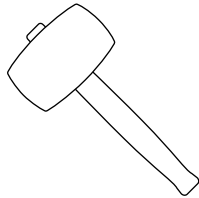
Choose a clean work area for assembly using padded material or other soft, clean materials. The work area should be larger than the overall screen size and directly in front of the location where the screen is to be installed.

## Tools Required For Assembly

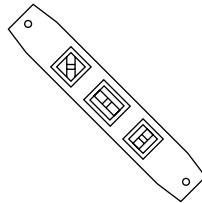
---



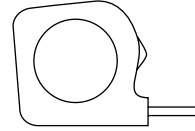
Phillips Screwdriver



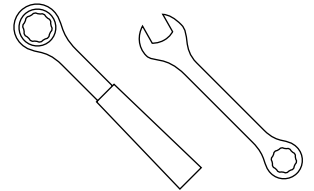
Rubber Mallet



Level



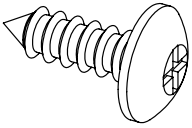
Measuring Tape



$\frac{3}{8}$ " Open Wrench  
or Socket Driver

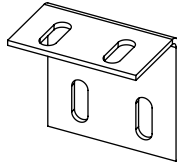
## Hardware Provided

---

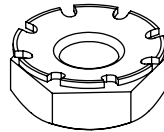


#8 x  $\frac{1}{2}$ " Screws

Number of supplied screws  
varies by screen size



(6) L-Brackets



(8) 10-32 Nuts



44" Wall Bracket

Number of supplied brackets varies by screen size. See Table 1.



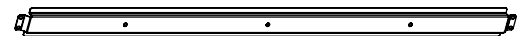
28" Wall Bracket

Number of supplied brackets varies by screen size. See Table 1.



18" Wall Bracket

Number of supplied brackets varies by screen size. See Table 1.



(2) Seam Brace

# Hardware Provided

## Wall Brackets Included

Item Number	Overall Dimensions	Center Panel Viewing Area (H x W)	Center Panel Wall Brackets	Side Panel Wall Brackets
27966	36¾" x 144¾"	36" x 64"	(2) 28"	(2) 28"
27981	36¾" x 144¾"	36" x 57½"	(2) 28"	(2) 28"
27963	46¾" x 144¾"	46" x 81¾"	(2) 28"	(2) 28"
27978	46¾" x 144¾"	46" x 73½"	(2) 28"	(2) 28"
27960	50¾" x 144¾"	50" x 89"	(2) 44"	(2) 18"
27975	50¾" x 144¾"	50" x 80"	(2) 28"	(2) 28"
27957	53¾" x 144¾"	53" x 94¾"	(2) 44"	(2) 18"
27972	53¾" x 144¾"	53" x 84¾"	(2) 28"	(2) 28"
27954	60¾" x 144¾"	59½" x 106"	(2) 44"	(2) 18"
27969	60¾" x 144¾"	59½" x 95¼"	(2) 44"	(2) 18"
27965	36¾" x 168¾"	36" x 64"	(2) 28"	(2) 44"
27980	36¾" x 168¾"	36" x 57½"	(2) 28"	(2) 44"
27962	46¾" x 168¾"	46" x 81¾"	(2) 28"	(2) 28"
27977	46¾" x 168¾"	46" x 73½"	(2) 28"	(2) 44"
27959	50¾" x 168¾"	50" x 89"	(2) 44"	(2) 28"
27974	50¾" x 168¾"	50" x 80"	(2) 28"	(2) 44"
27956	53¾" x 168¾"	53" x 94¾"	(2) 44"	(2) 28"
27971	53¾" x 168¾"	53" x 84¾"	(2) 28"	(2) 28"
27953	60¾" x 168¾"	59½" x 106"	(2) 44"	(2) 28"
27968	60¾" x 168¾"	59½" x 95¼"	(2) 44"	(2) 28"
27964	36¾" x 192¾"	36" x 64"	(2) 28"	(2) 44"
27979	36¾" x 192¾"	36" x 57½"	(2) 28"	(2) 44"
27961	46¾" x 192¾"	46" x 81¾"	(2) 28"	(2) 44"
27976	46¾" x 192¾"	46" x 73½"	(2) 28"	(2) 44"
27958	50¾" x 192¾"	50" x 89"	(2) 44"	(2) 44"
27973	50¾" x 192¾"	50" x 80"	(2) 28"	(2) 44"
27955	53¾" x 192¾"	53" x 94¾"	(2) 44"	(2) 44"
27970	53¾" x 192¾"	53" x 84¾"	(2) 28"	(2) 44"
27952	60¾" x 192¾"	59½" x 106"	(2) 44"	(2) 28"
27967	60¾" x 192¾"	59½" x 95¼"	(2) 44"	(2) 44"

**Table 1**

## Assembly Instructions for Panoramics with 24" Marker Tray

1. Carefully unpack unit and place all panels on top of the clean work area. The viewing surface of each panel must face down.  
**NOTE:** For optimal seam alignment, use labels on the back side of each panel to arrange for assembly.
2. Slide all three panels together, aligning the both the top and bottom frames (Figure 1).
3. Find (1) seam brace and remove the release liner from both strips of adhesive tape.
4. Ensuring that the panels are still in alignment, line up the seam brace with one of the panel seams with adhesive side facing down. Do not press adhesive into panels yet. Maintain at least a small gap between the adhesive and the panel.
5. Use  $\frac{3}{8}$ " open wrench or socket driver and (4) 10-32 nuts to attach seam brace onto the studs on the top and bottom of screen frame at the panel seam. Tighten all four nuts once attached to the frame (Figure 2).  
**NOTE:** For optimal seam alignment, hold the panels together tightly while the seam brace is being adhered and the lock nuts are being tightened.
6. Press adhesive into panels. Apply steady pressure along the length of the seam brace to attach firmly.
7. Repeat Steps 3-6 to attach the other seam brace.

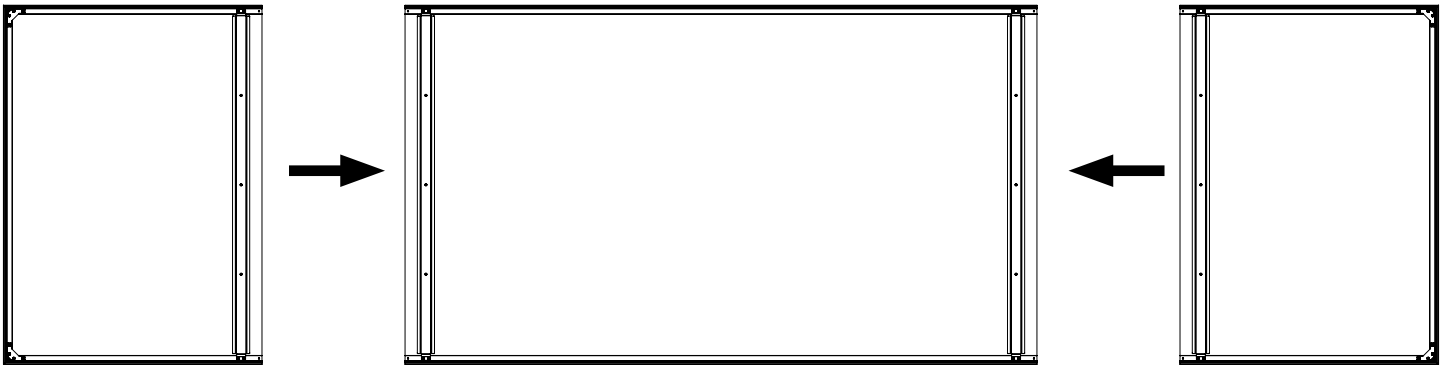


Figure 1

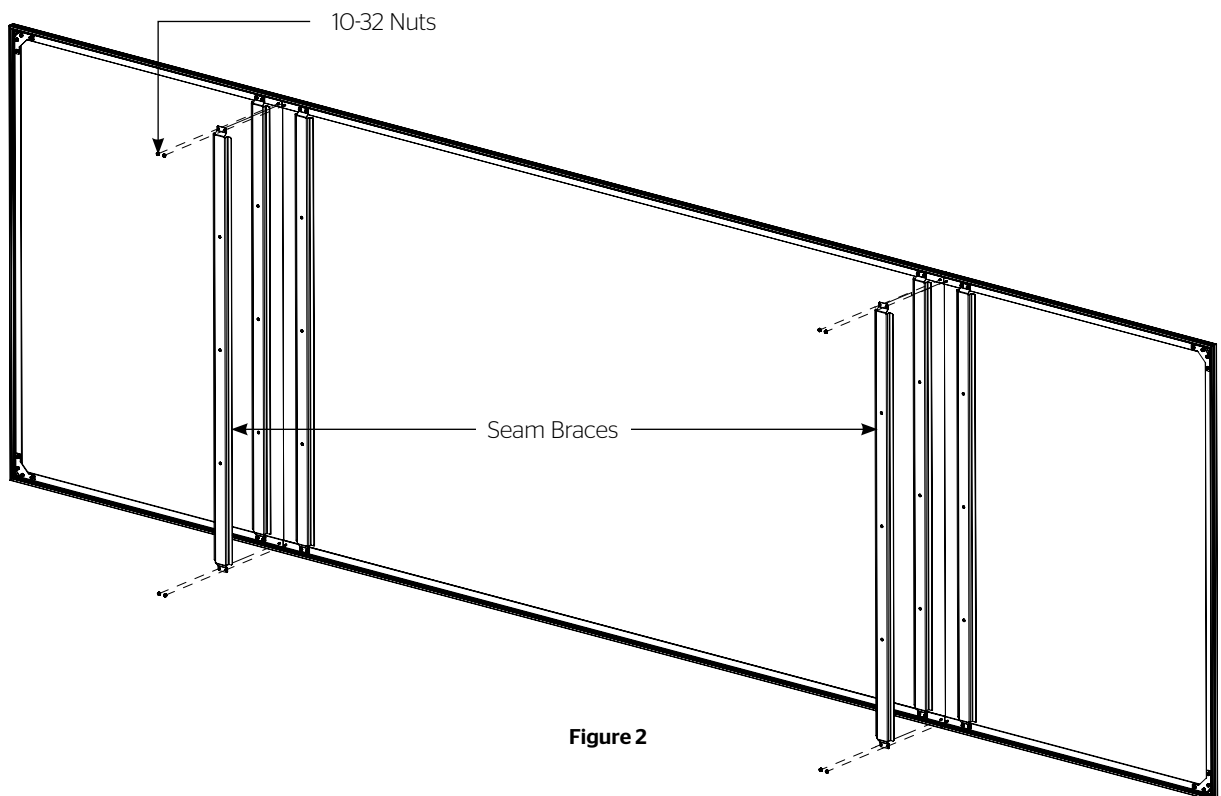


Figure 2

## Wall Mounting for Panoramics with 24" Marker Tray

**NOTE:** The screen is shipped with four wall brackets and lengths shipped vary by screen size. Two brackets will be used on the center panel and one bracket on each of the side panels. Measure gap on each side panel to determine which two brackets will be used with these panels. These brackets will be of an equal length. The remaining two brackets (also of an equal length) will be used to hold the weight of the center panel. Use appropriate mounting hardware for the wall type and to accommodate for the screen's total hanging weight.

1. Secure the two center panel wall brackets to wall studs at the desired height. The outside edge of each wall bracket must be no greater than 5" away from the left or right panel seams. You will need at least 1" clearance above the drilled holes to hang the screen.

2. Secure the two side panel wall brackets to wall studs at the height selected in Step 1. Each side panel wall bracket should be centered between the seam brace and left or right outside edge of the frame when mounted to the wall (Figure 3).

**NOTE:** Do not proceed if all four brackets are not level with each other or a gap may appear between each of the panels when mounted.

3. To install the (2) center panel L-brackets, you must measure the overall height of the screen frame and subtract 1 1/8". Using that dimension, measure down from the top edge of each of the center wall brackets and mark the wall for two screw holes. The outside edge of each center panel L-bracket must be no greater than 5" away from the left or right panel seams (Figure 3).

4. Secure the two center panel L-brackets to the wall at the marked locations. The longest side of the two center panel L-brackets should be pointing upwards when secured in order to hide the L-brackets behind the screen frame once the screen is installed (Figure 3).

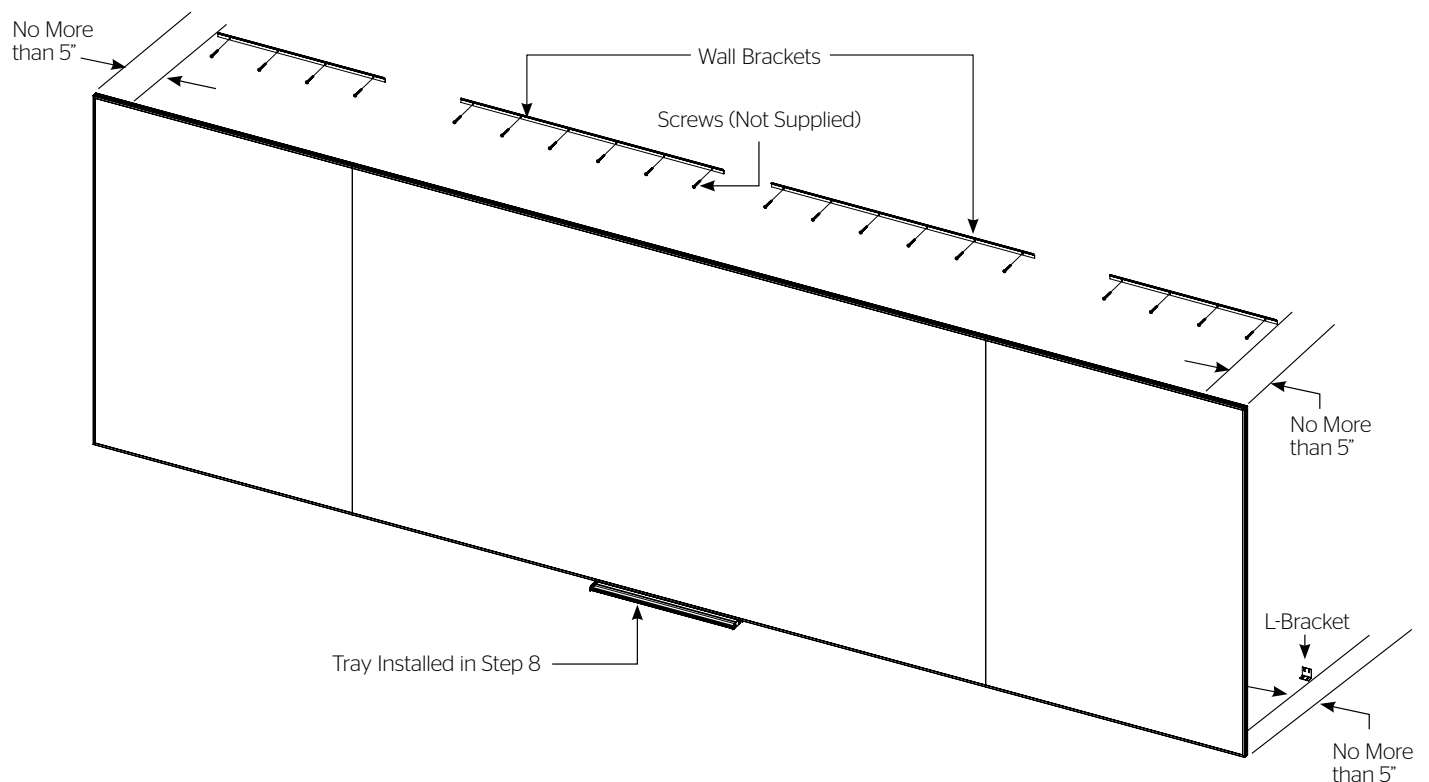


Figure 3

## Wall Mounting Instructions for Screens with 24" Marker Tray (continued)

- Repeat Steps 3-4 to install the (4) remaining L-brackets for the side panels.

**NOTE:** At this point, all six L-brackets will be mounted on the wall; two L-brackets for each panel. Do not proceed if all six-L brackets are not level with each other on the wall.

**Steps 6-7 require at least four people. Place one person on the far left end of the screen, one person at the left panel seam, one person at the right panel seam and one person on the far right end of the screen. More people can be utilized as needed. When lifting the screen off of the clean work area to the wall and then onto the wall, it is crucial that the screen remain coplanar and does not bend at the seams.**

**CAUTION:** Any bend between the three panels at the seams may damage the screen or result in a permanent gap between the seams.

- Using all four people, carefully lift the fully assembled three panel screen to an upright position and place underneath the mounted wall and L-brackets. The screen will be parallel to the wall at the end of this step.
- Using all four people, carefully and in a smooth motion lift the screen to hang it on the four installed wall brackets. There is a lip on the back of the frame that wedges itself into the four wall brackets once full installed. Ensure that the screen clears the six L-brackets and that the screen weight is on the four wall brackets, not the six L-brackets.
- Center the aluminum tray to the bottom of the center panel frame and attach with (3) of the provided #8 x 1/2" screws. Insert screws through the tray into the groove (Figure 4).
- Tap the bottom of the six L-brackets with the rubber mallet until they make contact with the frame. Secure the six L-brackets to the frame with the remaining (12) #8 x 1/2" screws (Figure 4).

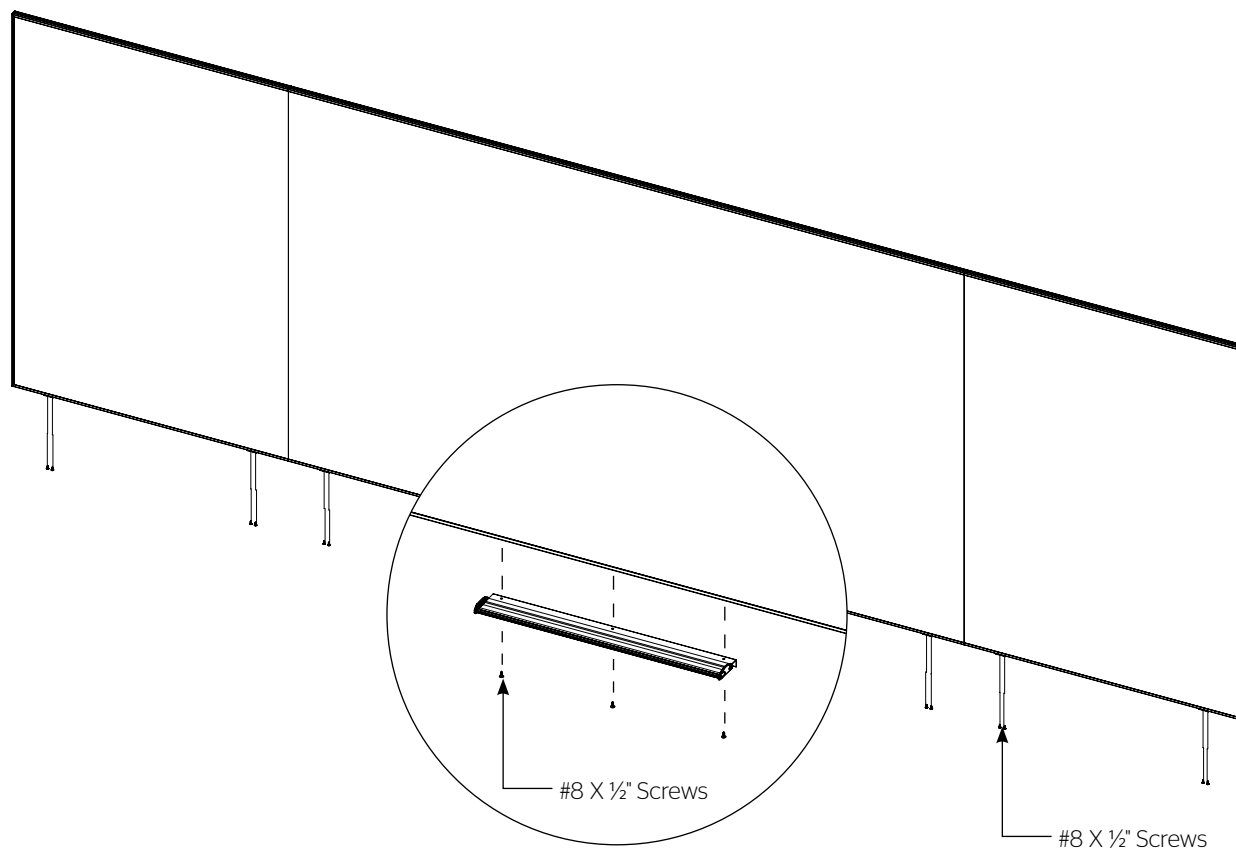


Figure 4

## Assembly Instructions for Panoramics with Full Length Marker Tray

1. Carefully unpack unit and place all panels on top of the clean work area. The viewing surface of each panel must face down.  
**NOTE:** For optimal seam alignment, use labels on the back side of each panel to arrange for assembly.
2. Slide all three panels together, aligning the both the top and bottom frames (Figure 5).
3. Find (1) seam brace and remove the release liner from both strips of adhesive tape.
4. Ensuring that the panels are still in alignment, line up the seam brace with one of the panel seams with adhesive side facing down. Do not press adhesive into panels yet. Maintain at least a small gap between the adhesive and the panel.
5. Use  $\frac{3}{8}$ " open wrench or socket driver and (4) 10-32 nuts to attach seam brace onto the studs on the top and bottom of screen frame at the panel seam. Tighten all four nuts once attached to the frame (Figure 6).  
**NOTE:** For optimal seam alignment, hold the panels together tightly while the seam brace is being adhered and the lock nuts are being tightened.
6. Press adhesive into panels. Apply steady pressure along the length of the seam brace to attach firmly.
7. Repeat Steps 3-6 to attach the other seam brace.

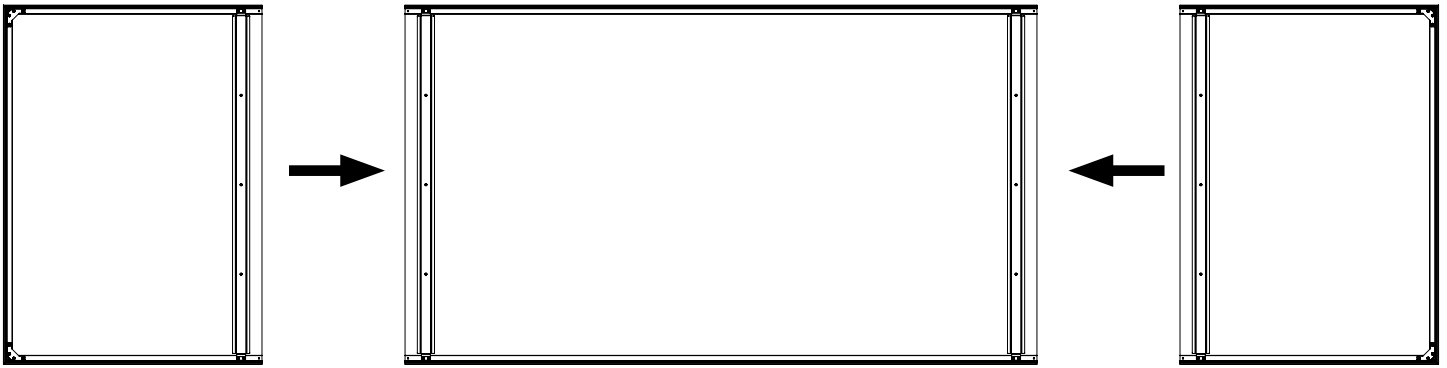


Figure 5

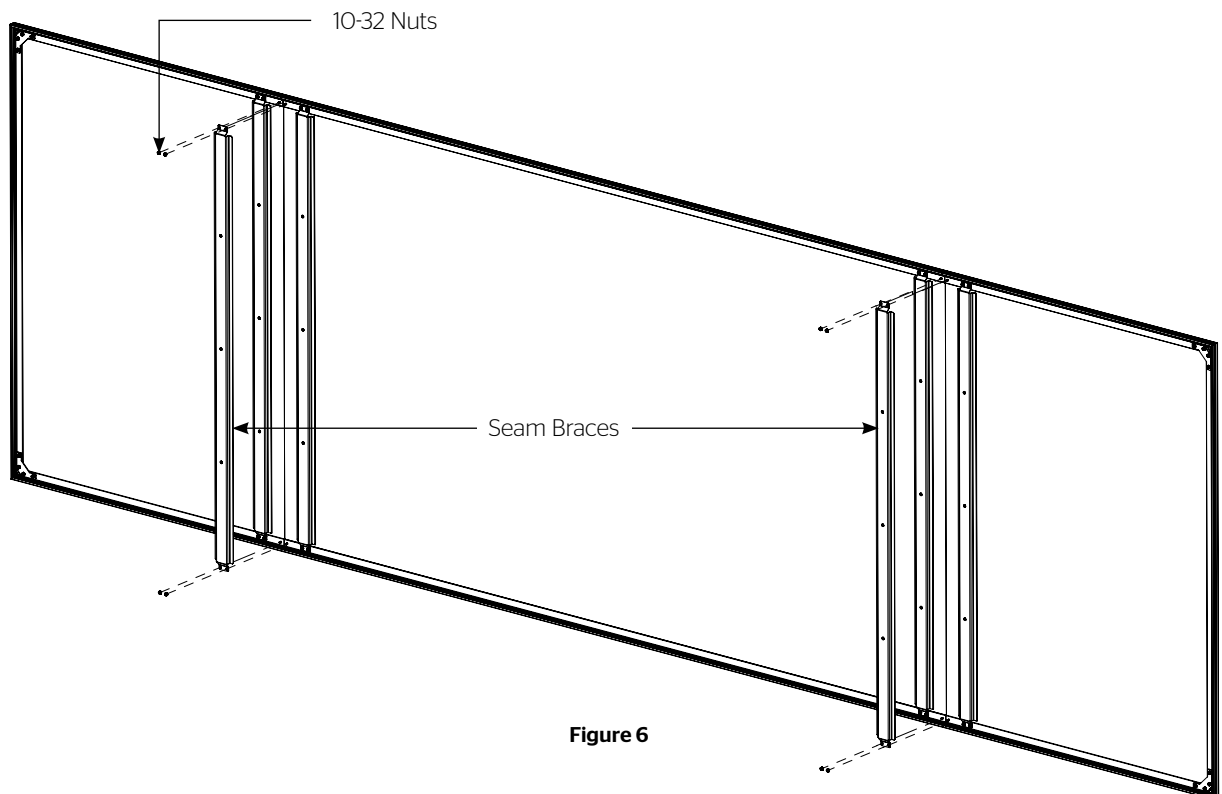


Figure 6

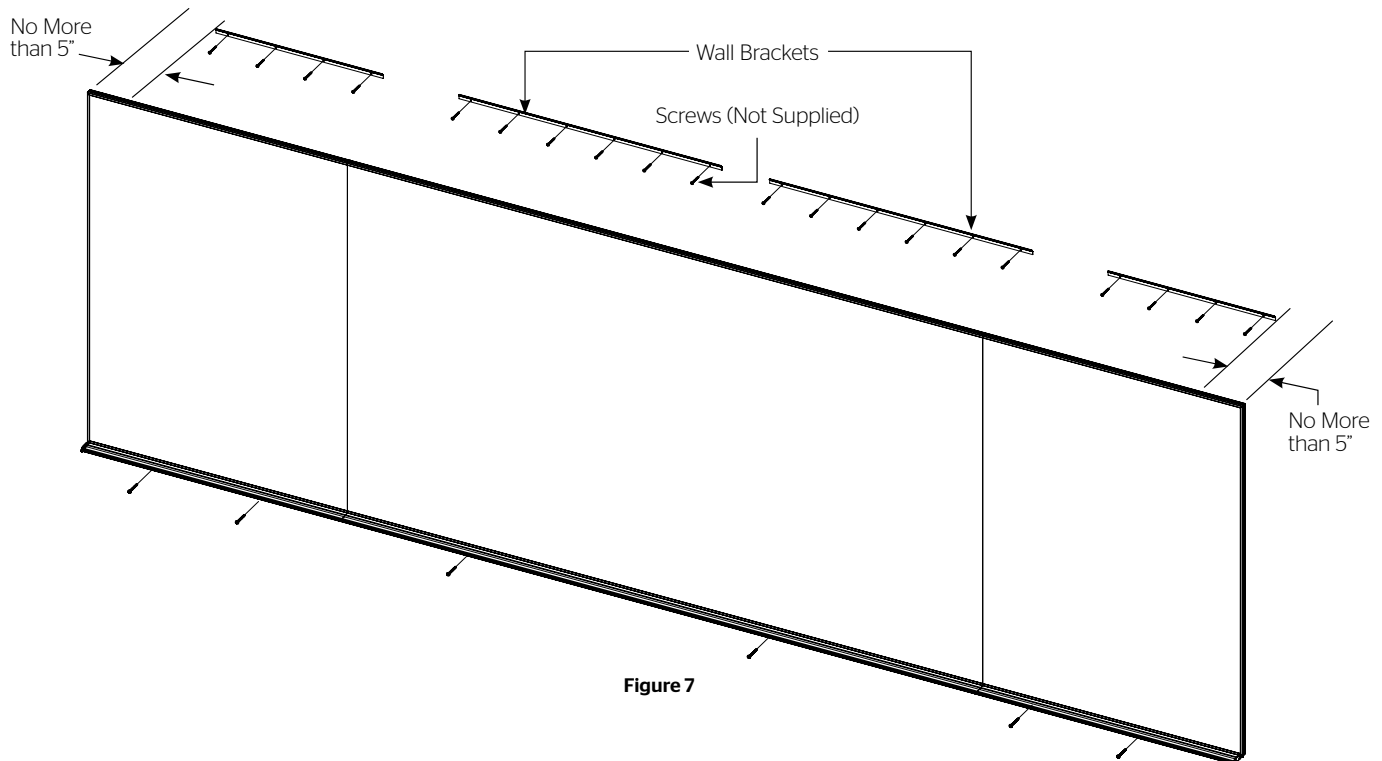
## Wall Mounting for Panoramics with Full Length Marker Tray

**NOTE:** The screen is shipped with four wall brackets and lengths shipped vary by screen size. Two brackets will be used on the center panel and one bracket on each of the side panels. Measure gap on each side panel to determine which two brackets will be used with these panels. These brackets will be of an equal length. The remaining two brackets (also of an equal length) will be used to hold the weight of the center panel. Use appropriate mounting hardware for the wall type and to accommodate for the screen's total hanging weight.

1. Secure the two center panel wall brackets to wall studs at the desired height. The outside edge of each wall bracket must be no greater than 5" away from the left or right panel seams. You will need at least 1" clearance above the drilled holes to hang the screen.

2. Secure the two side panel wall brackets to wall studs at the height selected in Step 1. Each side panel wall bracket should be centered between the seam brace and left or right outside edge of the frame when mounted to the wall (Figure 7).

**NOTE:** Do not proceed if all four brackets are not level with each other or a gap may appear between each of the panels when mounted.





## Wall Mounting for Panoramics with Full Length Marker Tray (continued)

**Steps 3-8 require at least four people. Place one person on the far left end of the screen, one person at the left panel seam, one person at the right panel seam and one person on the far right end of the screen. More people can be utilized as needed. When lifting the screen off of the clean work area to the wall and then onto the wall, it is crucial that the screen remain coplanar and does not bend at the seams.**

**⚠ CAUTION: Any bend between the three panels at the seams may damage the screen or result in a permanent gap between the seams.**

3. Using all four people, carefully lift the fully assembled three panel

screen to an upright position and then place back on the clean work area with the viewing surface of each panel facing up.

4. Align the center panel tray section with the center panel ensuring the tray edges align with the panel seams.

5. Secure the center panel tray section to the center panel with the provided #8 x 1/2" screws (Figure 8).

6. Repeat Steps 4-5 to attach the left and right tray sections to the left and right panels.

**NOTE:** Straight and even alignment of the tray sections will maintain rigidity of the screen assembly when installed on the wall.

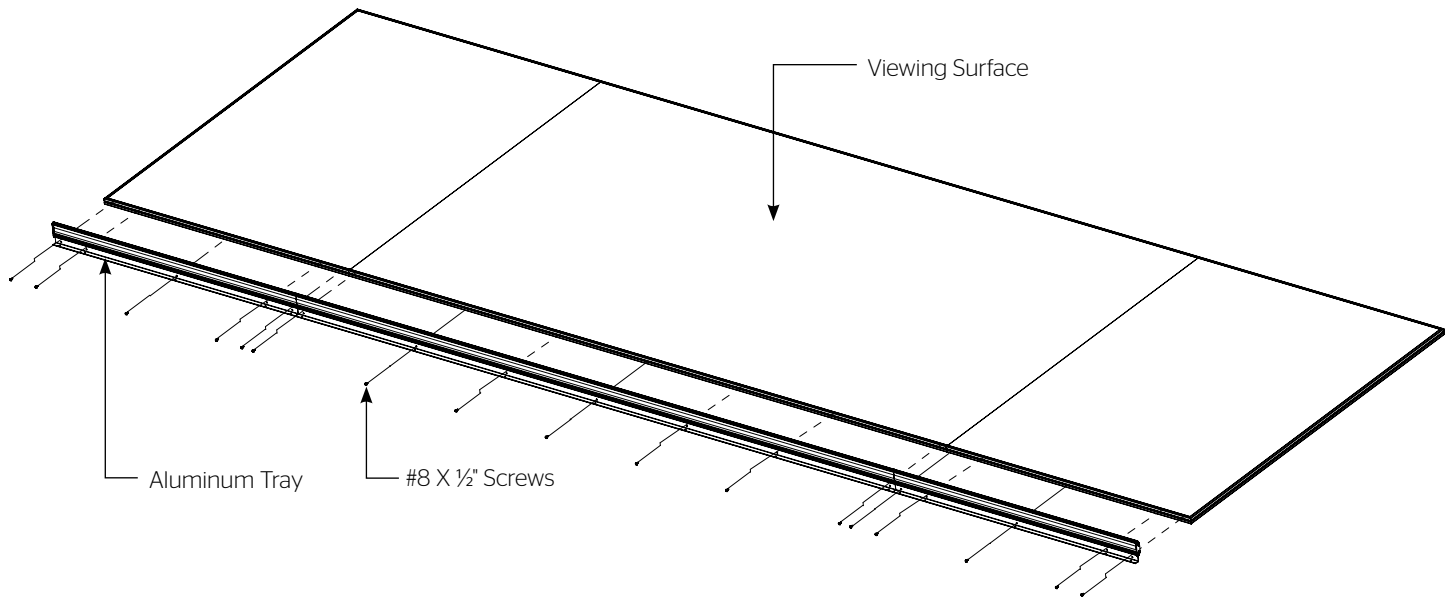
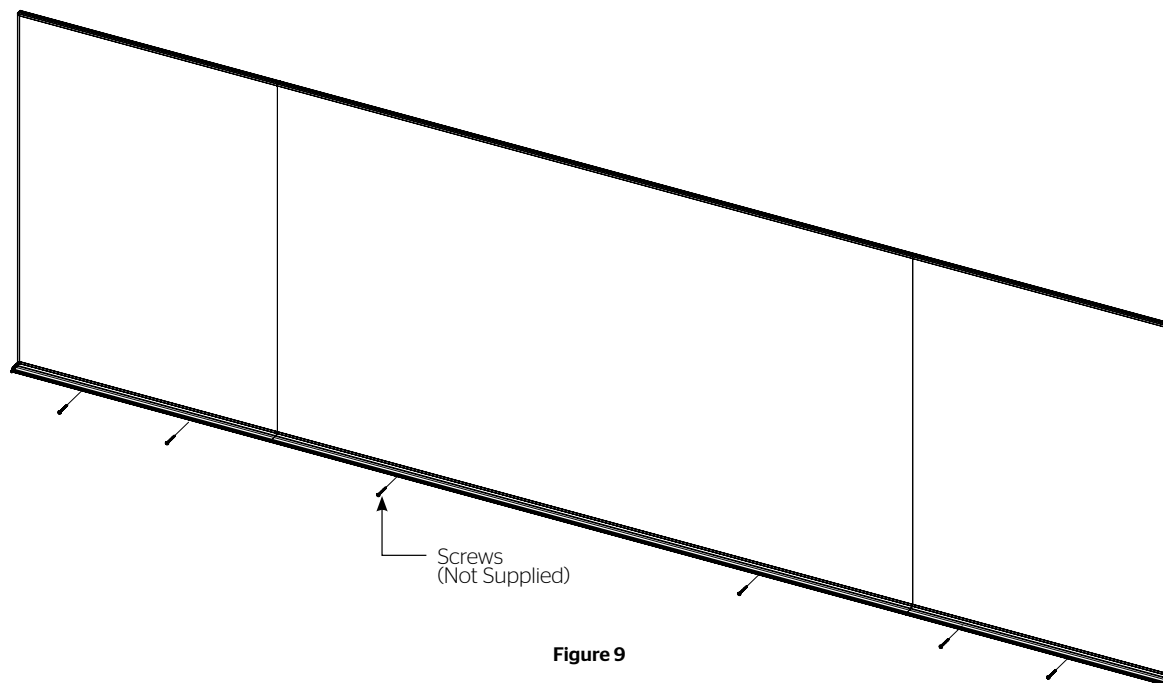


Figure 8

## Wall Mounting for Panoramics with Full Length Marker Tray (continued)

---

- Using all four people, carefully lift the fully assembled three panel screen with the marker trays to an upright position and briefly place underneath the mounted wall brackets. The screen will be parallel to the wall at the end of this step.
- Using all four people, carefully and in a smooth motion lift the screen to hang it on the four installed wall brackets. There is a lip on the back of the frame that wedges itself into the four wall brackets once full installed. Ensure that the screen weight is on the four wall brackets.
- To complete your installation, secure the screen to the wall through the holes in the marker trays (Figure 9).



**Figure 9**

## Cleaning

---

The supplied cleaning cloth can be used to clean marks on the screen surface made by everyday dry erase marker usage. Use clean or dry sections of the microfiber cloth when erasing the screen. This is important to prevent smearing on the screen while cleaning. To clean persistent marks from dry erase markers, use the supplied Da-Lite spray cleaner and cleaning cloth. Windex Original spray cleaner can be used to remove tough to clean or smeared areas. To clean permanent markers and other unintentional marks on the surface, use the supplied Da-Lite spray cleaner and cleaning cloth or a melamine foam cleaning pad.

## LIMITED ONE YEAR WARRANTY ON DA-LITE PRESENTATION PRODUCTS

Milestone AV Technologies LLC warrants certain Da-Lite branded products to the original purchaser only, to be free from defects in materials and workmanship for a period of one (1) year from the date of purchase by the original purchaser; provided they are properly operated according to Da-Lite's instructions and are not damaged due to improper handling or treatment after shipment from the factory.

This warranty does not apply to equipment showing evidence of misuse, abuse or accidental damage, or which has been tampered with or repaired by a person other than authorized Da-Lite personnel.

Da-Lite's sole obligation under this warranty shall be to repair or to replace (at Da-Lite's option) the defective part of the merchandise. Returns for service should be made to your Da-Lite dealer. If it is necessary for the dealer to return the screen or part to Da-Lite, transportation expenses to and from Da-Lite are payable by the purchaser and Da-Lite is not responsible for damage in shipment. To protect yourself against damage or loss in transit, insure the product and prepay all transportation expenses.

**TO THE MAXIMUM EXTENT PERMITTED BY APPLICABLE LAW, THIS WARRANTY IS IN LIEU OF ALL OTHER WARRANTIES, EXPRESS OR IMPLIED, INCLUDING WARRANTIES AS TO FITNESS FOR USE AND MERCHANTABILITY.** Any implied warranties of fitness for use, or merchantability, that may be mandated by statute or rule of law are limited to the one (1) year warranty period. This warranty gives you specific legal rights, and you may also have other rights, which vary from state-to-state. **TO THE MAXIMUM EXTENT PERMITTED BY APPLICABLE LAW, NO LIABILITY IS ASSUMED FOR EXPENSES OR DAMAGES RESULTING FROM INTERRUPTION IN OPERATION OF EQUIPMENT, OR FOR INCIDENTAL, DIRECT, OR CONSEQUENTIAL DAMAGES OF ANY NATURE.**

In the event that there is a defect in materials or workmanship of a Da-Lite product, you may contact our Sales Partners at PO Box 137, Warsaw, IN 46581-0137, (574) 267-8101, (800) 622-3737.

**IMPORTANT: THIS WARRANTY SHALL NOT BE VALID AND DA-LITE BRANDED PRODUCTS SHALL NOT BE BOUND BY THIS WARRANTY IF THE PRODUCT IS NOT OPERATED IN ACCORDANCE WITH THE DA-LITE WRITTEN INSTRUCTIONS.**

Keep your sales receipt to prove the date of purchase and your original ownership.



A Milestone AV Technologies Brand

3100 North Detroit Street  
Warsaw, Indiana 46582  
P: 574.267.8101 or 800.622.3737  
F: 574.267.7804 or 877.325.4832  
E: info@da-lite.com  
www.da-lite.com

DL-0489 (Rev 4) 02.15

© 2015 Milestone AV Technologies LLC. Printed in U.S.A.

28408