

# Tensioned Contour® Electrol®

Automatic Electric Projection Screen



SPECIFICATION DATA

**SUGGESTED SPECIFICATIONS:** \_\_\_\_\_ projection screen(s), \_\_\_\_\_(H) x \_\_\_\_\_(W), electrically operated 120 volt (60 Hz) not more than 2.4 amp. Shall have specially designed motor mounted inside the roller, to be three wire with ground, quick reversal type, oiled for life, with automatic thermal overload cutout, integral gears, capacitor and an electric brake to prevent coasting. To have preset but adjustable limit switches to automatically stop the picture surface in the "up" and "down" positions. Junction box shall be integrated into the housing making it possible to install the housing and wire to the building's electrical system during construction. The junction box shall contain a quick connect connector that is mounted in the housing for easy plug-in connection to the motorized fabric and roller assembly. The motorized fabric and roller assembly may be installed in the case at the factory or at a later time at the job site. The roller to be of rigid

metal. Roller mounting brackets to be adjustable to allow centering or offsetting of the screen within the case. Screen case to be a two piece design made of extruded aluminum. Case to be finished in black, lightly textured powder coat. Screen fabric to be flame retardant and mildew resistant vinyl with black masking borders standard. Each side of fabric to have a tab guide cable system to maintain even lateral tension and hold surface flat. Bottom of fabric to be inserted into a custom aluminum slat bar with added weight to provide vertical tension on the screen surface. The ends of the slat to be protected by heavy duty plastic caps enclosing a preset adjustable mechanism for screen tensioning. To be complete with integrated low voltage control unit and three position control switch and cover plate. Screen to be listed by Underwriters' Laboratories.



## Video (NTSC 4:3) Format Dimensions

Viewing Area (H x W)		Nominal Diagonal		Overall Length of Case		Approx. Ship. Wt.	
In.	Cm	In.	Cm	In.	Cm	Lbs.	Kg
43" x 57"	109 x 145	72"	183	77¼"	196	66	29.9
50" x 67"	127 x 170	84"	213	87¼"	223	73	33.1
60" x 80"	152 x 203	100"	254	102¼"	260	84	38.1
69" x 92"	175 x 234	120"	305	111¾"	284	94	42.6
87" x 116"	221 x 295	150"	381	137¼"	349	114	51.7
108" x 144"	274 x 366	180"	457	167¼"	426	135	61.2
120" x 160"	305 x 406	200"	508	184¼"	468	148	67.1

## HDTV (16:9) Format Dimensions

Viewing Area (H x W)		Nominal Diagonal		Overall Length of Case		Approx. Ship. Wt.	
In.	Cm	In.	Cm	In.	Cm	Lbs.	Kg
45" x 80"	114 x 203	92"	234	100¼"	255	79	35.8
52" x 92"	132 x 234	106"	269	113¼"	288	83	37.6
54" x 96"	137 x 244	110"	279	117¼"	298	86	39
58" x 104"	147 x 264	119"	302	125¾"	319	95	43.1
65" x 116"	165 x 295	133"	338	138¾"	352	114	51.7
78" x 139"	198 x 353	159"	404	159¾"	406	134	60.8
90" x 160"	229 x 406	184"	467	181¼"	462	148	67.3

## Wide (16:10) Format Dimensions

Viewing Area (H x W)		Nominal Diagonal		Overall Length of Case		Approx. Ship. Wt.	
In.	Cm	In.	Cm	In.	Cm	Lbs.	Kg
50" x 80"	127 x 203	94"	239	100¾"	256	77	34.9
57½ x 92"	146 x 234	109"	277	112¾"	286	83	37.6
60" x 96"	152 x 244	113"	287	118¾"	302	92	41.7
65" x 104"	165 x 264	123"	312	126¾"	322	95	43.1
69" x 110"	175 x 279	130"	330	133¾"	338	104	47.2
72½ x 116"	184 x 295	137"	348	138¾"	352	114	51.7
87" x 139"	221 x 353	164"	417	160¾"	408	126	57.2
100" x 160"	254 x 406	189"	480	181¾"	462	148	67.1

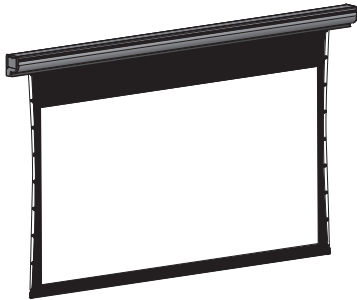
## Square Format Dimensions

Viewing Area (H x W)		Overall Length of Case		Approx. Ship. Wt.	
In.	Cm	In.	Cm	Lbs.	Kg
50" x 50"	127 x 127	70¾"	180	65	29.5
60" x 60"	152 x 152	82¼"	209	74	33.6
70" x 70"	178 x 178	93¾"	238	82	37.2
84" x 84"	213 x 213	105¼"	267	93	42.2
6' x 8'	183 x 244	115¾"	294	94	42.6
8' x 8'	244 x 244	118¾"	300	95	43.1
7' x 9'	213 x 274	129¾"	328	112	50.8
9' x 9'	274 x 274	131¾"	335	114	51.7
8' x 10'	244 x 305	142¼"	361	118	53.5
10' x 10'	305 x 305	145¾"	369	120	54.4
9' x 12'	274 x 366	167¾"	426	134	60.8
12' x 12'	366 x 366	172¾"	439	143	64.9

**PRODUCT NOTES**

- All viewing surfaces will be seamless.
- All viewing surfaces are standard with black backing except Da-Tex® and Dual Vision.
- HD Progressive 1.1 Perf, Audio Vision, High Contrast Audio Vision and High Contrast Cinema Perf available in sizes up to 87" x 116" in Video Format and 78" x 139" in HDTV Format.
- All screens standard with 12" (305mm) black drop at top.
- Extra drop may alter case dimensions. Contact Da-Lite for details.
- Overall case length dimensions +/- 1/4" (6mm).
- Detail dimensional drawings, wiring diagrams and installation instructions available upon request.
- Specifications subject to change without notice.
- Custom formats and sizes available upon request.

**PRODUCT VIEW**



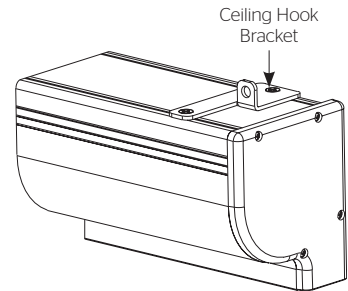
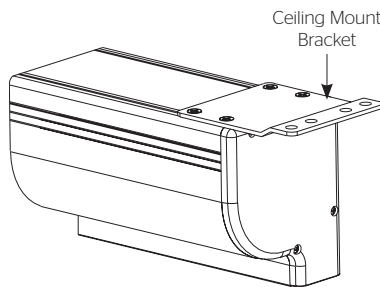
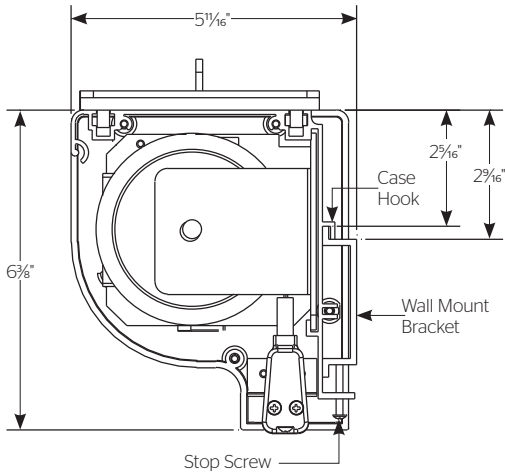
**WHEN ORDERING, MARK APPROPRIATE SELECTIONS**

- Select size from charts on the other side.
- Select viewing surface (All Da-Lite surfaces are GREENGUARD GOLD Certified):
 

<input type="radio"/> HD Progressive 0.6	<input type="radio"/> HD Progressive 0.9
<input type="radio"/> HD Progressive 1.1	<input type="radio"/> Da-Mat®
<input type="radio"/> High Contrast Da-Mat®	<input type="radio"/> Pearlescent
<input type="radio"/> Da-Tex® (Rear)	<input type="radio"/> HD Progressive 1.1 Perf
<input type="radio"/> Audio Vision	<input type="radio"/> High Contrast Cinema Vision
<input type="radio"/> Dual Vision	<input type="radio"/> High Contrast Audio Vision
<input type="radio"/> Cinema Vision	<input type="radio"/> High Contrast Cinema Perf
- Optional accessories:
 

<input type="checkbox"/> Wireless Remote Control for LVC.	<input type="checkbox"/> Veneer Case Cover (Choose from seven standard veneers).
<input type="checkbox"/> Radio Frequency Remote.	<input type="checkbox"/> Light Oak
<input type="checkbox"/> Radio Frequency Range Extender available.	<input type="checkbox"/> Medium Oak
<input type="checkbox"/> Infrared Remote.	<input type="checkbox"/> Natural Walnut
<input type="checkbox"/> Key Locking Cover Plate for LVC Switch.	<input type="checkbox"/> Heritage Walnut
<input type="checkbox"/> 220 Volt (50 Hz) Motor.	<input type="checkbox"/> Mahogany
<input type="checkbox"/> Video Projector Interface Control - built-in (adds 3 3/4" to case length of 220V motor version).	<input type="checkbox"/> Cherry
<input type="checkbox"/> SCB-100 RS-232 Serial Control Board - built in (adds 3 3/4" to length of case).	<input type="checkbox"/> Honey Maple
<input type="checkbox"/> NET-100 Ethernet-Serial Adapter	<input type="checkbox"/> Graphite case color.
<input type="checkbox"/> SCB-200 RS-232 Serial Control Board - built-in (adds 3 3/4" to length of case).	<input type="checkbox"/> White case (black standard).
<input type="checkbox"/> NET-200 Ethernet-Serial Adapter.	
<input type="checkbox"/> WC-200 Wall Controller.	
<input type="checkbox"/> IR-200 Infrared Remote.	

**SUGGESTED METHODS OF INSTALLATION**



A Milestone AV Technologies Brand

3100 North Detroit Street  
 Warsaw, Indiana 46582  
 P: 574.267.8101 or 800.622.3737  
 F: 574.267.7804 or 877.325.4832  
 E: info@da-lite.com  
 www.da-lite.com

DL-0194 11.13

© 2013 Milestone AV Technologies LLC. Printed in U.S.A.

Project Name: _____	_____
Architect: _____	Phone: _____
Contractor: _____	Phone: _____
Date: _____	Revised: _____