

# Tensioned Advantage® Electrol®

Automatic Electric Projection Screen Model



SPECIFICATION DATA

**SUGGESTED SPECIFICATIONS:** \_\_\_\_\_ projection screen(s), \_\_\_\_\_(H) x \_\_\_\_\_(W), electrically operated 120 volt (60 Hz) not more than 2.4 amp. with a quick connect male plug-in connector on the motor. Shall have specially designed motor mounted inside the roller, to be three wire with ground, quick reversal type, oiled for life, with automatic thermal overload cutout, integral gears, capacitor and an electric brake to prevent coasting. To have preset but adjustable limit switches to automatically stop picture surface in the "up" and "down" positions. Junction box shall be externally integrated into the housing making it possible to install the housing and wire to the building's electrical system during construction. The junction box shall contain a quick connect connector that is mounted in the housing for easy plug-in connection to the motorized fabric and roller assembly. The motorized fabric and roller assembly to be installed in the case at the factory or at a later time at the job site. The fabric roller to be of rigid aluminum. Screen to be designed for left or right-hand motor installation. Screen fabric to be seamless, flame

retardant and mildew resistant vinyl with black masking borders standard. Each side of the fabric to have tab guide cable system to maintain even lateral tension and hold surface flat. Custom slat bar with added weight maintains vertical tension on the screen surface. The ends of the slat to be protected by heavy duty plastic caps enclosing a preset adjustable mechanism for screen tensioning. Top, front and back of case to be made of extruded aluminum powder coated white. End caps to be of heavy gauge steel powder coated white. Bottom of case to have a removable access door. Door to be of extruded aluminum powder coated white. Bottom of case to be self-trimming, with a built-in flange around the bottom of the case. To be complete with integrated low voltage control unit and three position control switch and cover plate. Suitable for use in environmental air space in accordance with section 300-22 (c) of the National Electric Code, and sections 2-128, 12-010 (3) and 12-100 of the Canadian Electrical Code, part 1, CSA C22.1. Screen to be listed by Underwriters' Laboratories.



## Video (NTSC 4:3) Format Dimensions

Viewing Area (H x W)		Nominal Diagonal		Overall Length of Case*		Approx. Ship. Wt.	
In.	Cm	In.	Cm	In.	Cm	Lbs.	Kg
43" x 57"	109 x 145	72"	183	72½"	184	77	34.9
50" x 67"	127 x 170	84"	213	83½"	212	86	39.0
60" x 80"	152 x 203	100"	254	97½"	248	98	44.5
69" x 92"	175 x 234	120"	305	111½"	283	111	50.3
87" x 116"	221 x 295	150"	381	138½"	352	135	61.2
108" x 144"	274 x 366	180"	457	163½"	415	151	68.5
120" x 160"	305 x 406	200"	508	180½"	458	169	76.7

## HDTV (16:9) Format Dimensions

Viewing Area (H x W)		Nominal Diagonal		Overall Length of Case*		Approx. Ship. Wt.	
In.	Cm	In.	Cm	In.	Cm	Lbs.	Kg
45" x 80"	114 x 203	92"	234	96"	244	92	41.7
52" x 92"	132 x 234	106"	269	108½"	276	99	44.9
54" x 96"	137 x 244	110"	279	113"	287	104	47.2
58" x 104"	147 x 264	119"	302	121½"	309	114	51.7
65" x 116"	165 x 295	133"	338	134½"	342	135	61.2
78" x 139"	198 x 353	159"	404	159½"	405	148	67.1
90" x 160"	229 x 406	184"	467	177½"	450	169	76.8

## Wide (16:10) Format Dimensions

Viewing Area (H x W)		Nominal Diagonal		Overall Length of Case*		Approx. Ship. Wt.	
In.	Cm	In.	Cm	In.	Cm	Lbs.	Kg
50" x 80"	127 x 203	94"	239	96½"	245	92	41.7
57½" x 92"	146 x 234	109"	277	109½"	278	111	50.3
60" x 96"	152 x 244	113"	287	114"	290	104	47.2
65" x 104"	165 x 264	123"	312	122½"	311	114	51.7
69" x 110"	175 x 279	130"	330	129"	328	125	56.7
72½" x 116"	184 x 295	137"	348	135½"	344	135	61.2
87" x 139"	221 x 353	164"	417	156½"	398	148	67.1
100" x 160"	254 x 406	189"	480	178½"	453	169	76.8

## Square Format Dimensions

Viewing Area (H x W)		Overall Length of Case*		Approx. Ship. Wt.	
In.	Cm	In.	Cm	Lbs.	Kg
50" x 50"	127 x 127	66½"	169	70	31.8
60" x 60"	152 x 152	77½"	197	80	36.3
70" x 70"	178 x 178	89"	226	90	40.8
84" x 84"	213 x 213	105½"	268	104	47.2
6' x 8'	183 x 244	115½"	293	114	51.7
8' x 8'	244 x 244	119"	302	116	52.6
7' x 9'	213 x 274	129½"	329	126	57.2
9' x 9'	274 x 274	128"	325	124	56.2
8' x 10'	244 x 305	143"	363	132	59.9
10' x 10'	305 x 305	140"	356	135	61.2
9' x 12'	274 x 366	163½"	415	151	68.5
12' x 12'	366 x 366	168½"	428	156	70.8

\*Case length does not include flange

**PRODUCT NOTES**

- **All screens standard with 12" black drop at the top.**  
Extra drop may alter case dimensions. Contact Da-Lite for details.
- Electrical junction box extends 2½" past case length on left end of case (1½" past mounting flange). Internal junction box available (will add 3½" to overall case length and must be specified at time of order, recommended for drywall installations). Junction box on top of case available (will add 3½" to overall case length and 1½" to height at left end of case; must be specified at time of order)
- Overall case length dimensions +/- ¼" (6mm).
- Detail dimensional drawings, wiring diagrams and installation instructions available upon request.
- Specifications subject to change without notice.
- Custom formats and sizes available upon request.
- All surfaces will be seamless.

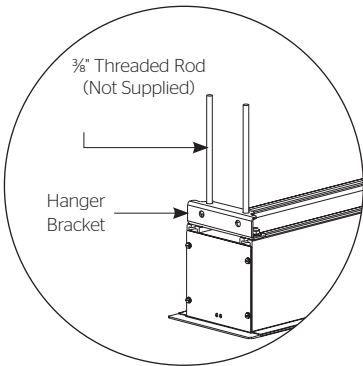
**SURFACE INFORMATION**

- All viewing surfaces are standard with black backing except Da-Tex® and Dual Vision.
- HD Progressive 1.1 Perf, Audio Vision, High Contrast Audio Vision and High Contrast Cinema Perf available in sizes up to 87" x 116" in Video format and 78" x 139" in HDTV format.
- All screens come standard with the Silent Drive System.

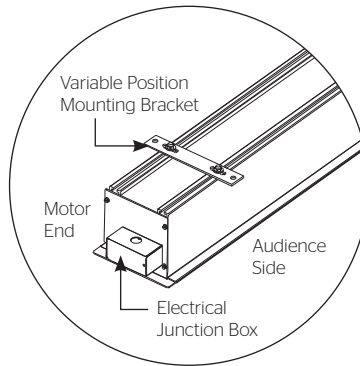
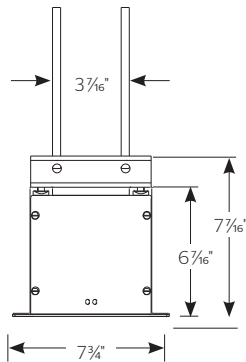
**WHEN ORDERING, MARK APPROPRIATE SELECTIONS**

1. Select Size from Charts.
2. Select viewing surface (All Da-Lite surfaces are GREENGUARD GOLD Certified):
  - HD Progressive 0.6
  - HD Progressive 0.9
  - HD Progressive 1.1
  - Da-Mat®
  - High Contrast Da-Mat®
  - Pearlescent
  - Cinema Vision
  - High Contrast Cinema Vision
  - High Contrast Cinema Perf
  - HD Progressive 1.1 Perf
  - Audio Vision
  - High Contrast Audio Vision
  - Da-Tex® (Rear)
  - Dual Vision
3. Select Optional Accessories:
  - Wireless Remote Control for LVC.
    - Radio Frequency Remote.
      - Radio Frequency Range Extender available
    - Infrared Remote.
  - Key Locking Cover Plate for LVC Switch.
  - 220 Volt (50 Hz) Motor.
  - Video Projector Interface Control - built-in (Adds 10" to case length on 220V motor only).
  - SCB-100 RS-232 Serial Control Board - built-in (adds 10" to overall length of case).
    - NET-100 Ethernet-Serial Adapter
  - SCB-200 RS-232 Serial Control Board - built-in (adds 10" to overall length of case).
    - NET-200 Ethernet-Serial Adapter
    - WC-200 Wall Controller
    - IR-200 Infrared Remote

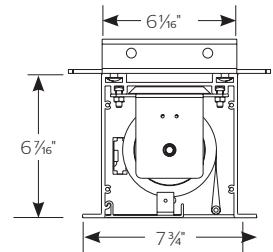
**SUGGESTED METHODS OF INSTALLATION:**



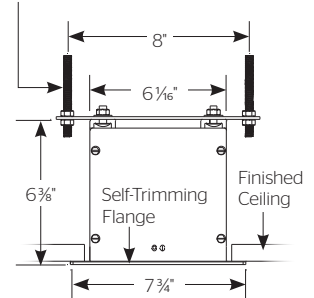
**Method One**



**Method Two**



3/8" Threaded Rod (Not Included) Attached to Mounting Bracket



A Milestone AV Technologies Brand

3100 North Detroit Street  
 Warsaw, Indiana 46582  
 P: 574.267.8101 or 800.622.3737  
 F: 574.267.7804 or 877.325.4832  
 E: info@da-lite.com  
 www.da-lite.com

DL-0147 (Rev. 2) 04.14

© 2013 Milestone AV Technologies LLC. Printed in U.S.A.

Project Name: \_\_\_\_\_

Architect: \_\_\_\_\_

Contractor: \_\_\_\_\_ Phone: \_\_\_\_\_

Reseller: \_\_\_\_\_ Phone: \_\_\_\_\_