

Tensioned Advantage® Deluxe Electrol®

Automatic Electric Projection Screen Model



SPECIFICATION DATA

SUGGESTED SPECIFICATIONS: _____ projection screen(s), _____(H) x _____(W). The Tensioned Advantage® Deluxe screen shall have two motors, one to operate door and one to operate screen. Door motor electrically operated 120 volt (60 Hz) not more than 1.2 amp. Shall have motor mounted inside the roller, to be three wire with ground, quick reversal type, oiled for life, with automatic thermal overload cutout, integral gears, capacitor and an electric brake to prevent coasting. To have pre-set but adjustable limit switches to automatically stop fabric door in the "down" position. The door will lift to the closed position where a micro switch shall cut off the electrical current to the door motor. The roller to be of rigid aluminum. Screen motor is electrically operated 120 volt (60 Hz) not more than 2.4 amp. Shall have motor mounted inside the roller, to be three wire with ground quick reversal type, oiled for life, with automatic thermal overload cutout, integral gears, capacitor and an electric brake to prevent coasting. To have pre-set but adjustable limit switches to automatically stop picture surface in the "up" and "down" positions. The roller to be of rigid metal. Screen fabric to be seamless, flame retardant and mildew resistant vinyl, with black masking borders standard. Each side of the fabric to have tab guide cable system to maintain even lateral tension and hold surface flat. Custom slat bar with added weight maintains vertical

tension on the screen surface. The ends of the slat to be protected by heavy duty plastic caps enclosing a preset adjustable mechanism for screen tensioning. Case shall be a white powder coated extruded aluminum. Bottom of case to be self-trimming with a built-in flange around the bottom of the case. A section of the bottom of the case shall be an aluminum door equipped with hinges so that it opens and closes automatically with the lowering and raising of the picture surface. The balance of the bottom of the case shall be a second hinged aluminum door with manual opening to provide access. Hinges shall be mounted in a concealed way. Junction box shall be internally integrated into the housing making it possible to install the housing and wire to the building's electrical system during construction. The junction box shall contain a quick connect connector that is mounted in the housing for easy plug-in connection to the motorized fabric and roller assembly. The motorized fabric and roller assembly to be installed in the case at the factory or at a later time at the job site. To be complete with integrated low voltage control unit and three position control switch and cover plate. Suitable for use in environmental air space in accordance with section 300-22 (c) of the National Electric Code, and sections 2-128, 12-010 (3) and 12-100 of the Canadian Electrical Code, part 1, CSA C22.1. Screen to be listed by Underwriters' Laboratories.



HDTV (16:9) Format Dimensions

Viewing Area (H x W)		Nominal Diagonal		Overall Length of Case*		Approx. Ship. Wt.	
In.	Cm	In.	Cm	In.	Cm	Lbs.	Kg
45" x 80"	114 x 203	92"	234	102¾"	261	125	56.7
52" x 92"	132 x 234	106"	269	115¼"	293	140	63.5
54" x 96"	137 x 244	110"	279	119¾"	304	145	65.8
58" x 104"	147 x 264	119"	302	128¼"	326	150	68
65" x 116"	165 x 295	133"	338	141¼"	359	163	73.9
78" x 139"	198 x 353	159"	404	166¼"	422	188	85.3
90" x 160"	229 x 406	184"	467	184¼"	468	203	92.3

Wide (16:10) Format Dimensions

Viewing Area (H x W)		Nominal Diagonal		Overall Length of Case*		Approx. Ship. Wt.	
In.	Cm	In.	Cm	In.	Cm	Lbs.	Kg
50" x 80"	127 x 203	94"	239	103¾"	262	125	56.7
57½" x 92"	146 x 234	109"	277	116¼"	295	148	67.1
60" x 96"	152 x 244	113"	287	120¾"	307	145	65.8
65" x 104"	165 x 264	123"	312	129¼"	328	150	68
69" x 110"	175 x 279	130"	330	135¾"	345	157	71.2
72½" x 116"	184 x 295	137"	348	142¼"	361	170	77.1
87" x 139"	221 x 353	164"	417	163¾"	415	188	85.3
100" x 160"	254 x 406	189"	480	185¼"	471	203	92.1

Video (NTSC 4:3) Format Dimensions

Viewing Area (H x W)		Nominal Diagonal		Overall Length of Case*		Approx. Ship. Wt.	
In.	Cm	In.	Cm	In.	Cm	Lbs.	Kg
43" x 57"	109 x 145	72"	183	79¼"	201	102	46.3
50" x 67"	127 x 170	84"	213	90¼"	229	114	51.7
60" x 80"	152 x 203	100"	254	104¼"	265	125	56.7
69" x 92"	175 x 234	120"	305	118¼"	300	148	67.1
87" x 116"	221 x 295	150"	381	145¼"	369	170	77.1
108" x 144"	274 x 366	180"	457	170¼"	432	189	85.7
120" x 160"	305 x 406	200"	508	187¼"	476	203	92.1

Square Format Dimensions

Viewing Area (H x W)		Overall Length of Case*		Approx. Ship. Wt.	
In.	Cm	In.	Cm	Lbs.	Kg
50" x 50"	127 x 127	73¼"	186	93	42.2
60" x 60"	152 x 152	84¼"	214	104	47.2
70" x 70"	178 x 178	95¼"	243	116	52.6
84" x 84"	213 x 213	112¼"	288	125	56.7
6' x 8'	183 x 244	122¼"	311	140	63.5
8' x 8'	244 x 244	125¾"	319	148	67.1
7' x 9'	213 x 274	136¼"	346	155	70.3
9' x 9'	274 x 274	134¾"	342	159	72.1
8' x 10'	244 x 305	149¾"	380	165	74.8
10' x 10'	305 x 305	146¾"	373	168	76.2
9' x 12'	274 x 366	170¼"	434	189	85.7
12' x 12'	366 x 366	175¼"	445	194	88

*Case length does not include flange

PRODUCT NOTES

- All screens standard with 12" black drop at the top. Extra drop may alter case dimensions. Contact Da-Lite for details.
- Overall case length dimensions +/- 1/4" (6mm).
- Detail dimensional drawings, wiring diagrams and installation instructions available upon request.
- Specifications subject to change without notice.
- Custom formats and sizes available upon request.

SURFACE INFORMATION

- All surfaces will be seamless.
- All viewing surfaces are standard with black backing except Da-Tex® and Dual Vision.
- High Contrast Cinema Perf and HD Progressive 1.1 Perf available in sizes up to 87" x 116" in Video Format and 78" x 139" in HDTV Format.

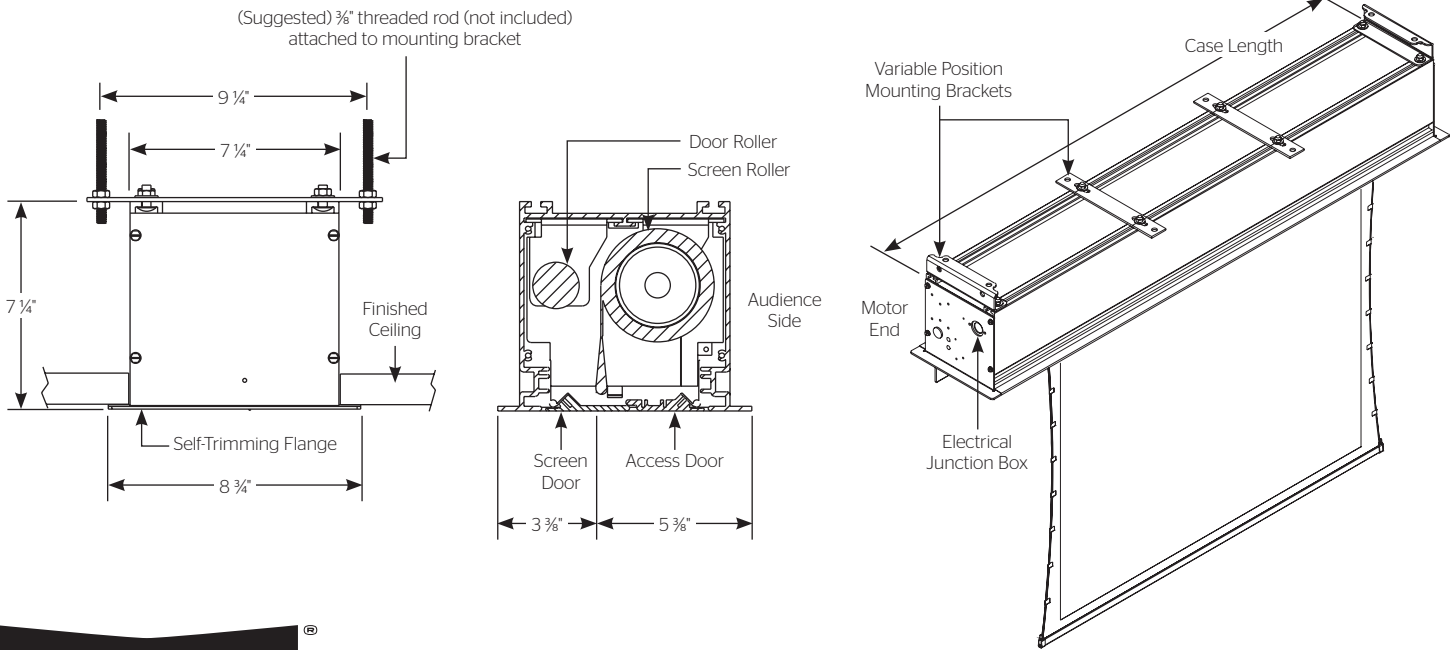
WHEN ORDERING, MARK APPROPRIATE SELECTIONS

- Select Size from Charts.
- Select Viewing Surface (All Da-Lite surfaces are GREENGUARD GOLD Certified.):

<input type="radio"/> HD Progressive 0.6	<input type="radio"/> High Contrast Cinema Vision
<input type="radio"/> HD Progressive 0.9	<input type="radio"/> High Contrast Cinema Perf
<input type="radio"/> HD Progressive 1.1	<input type="radio"/> HD Progressive 1.1 Perf
<input type="radio"/> Da-Mat®	<input type="radio"/> Da-Tex® (Rear)
<input type="radio"/> High Contrast Da-Mat®	<input type="radio"/> Dual Vision
<input type="radio"/> Pearlescent	
<input type="radio"/> Cinema Vision	
- Select Optional Accessories:

<input type="checkbox"/> Wireless Remote Control for LVC.	<input type="checkbox"/> SCB-100 RS-232 Serial Control Board - built-in
<input type="checkbox"/> Radio Frequency Remote.	<input type="checkbox"/> NET-100 Ethernet-Serial Adapter
<input type="checkbox"/> Radio Frequency Range Extender available	<input type="checkbox"/> SCB-200 RS-232 Serial Control Board - built-in
<input type="checkbox"/> Infrared Remote.	<input type="checkbox"/> NET-200 Ethernet-Serial Adapter
<input type="checkbox"/> Key Locking Cover Plate for LVC Switch.	<input type="checkbox"/> WC-200 Wall Controller
<input type="checkbox"/> 220 Volt (50 Hz) Motor.	<input type="checkbox"/> IR-200 Infrared Remote
<input type="checkbox"/> Video Projector Interface Control - built-in	

SUGGESTED CEILING INSTALLATION



A Milestone AV Technologies Brand

3100 North Detroit Street
 Warsaw, Indiana 46582
 P: 574.267.8101 or 800.622.3737
 F: 574.267.7804 or 877.325.4832
 E: info@da-lite.com
 www.da-lite.com

DL-0167 (Rev. 4) 04.16

© 2016 Milestone AV Technologies LLC. Printed in U.S.A.

Project Name: _____
Architect: _____
Contractor: _____ Phone: _____
Reseller: _____ Phone: _____