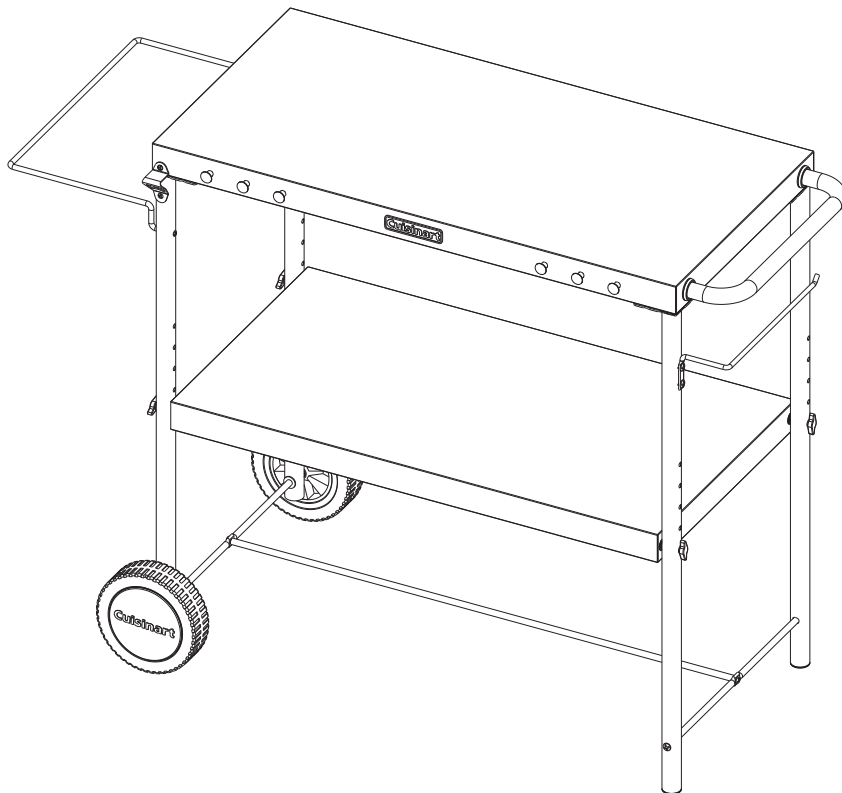


⚠ WARNING

- Not for permanent installation.
- For outdoor use only
- Use caution with all electric appliances, tools, extension cords and lights on and around table.
- Surface can become hot in direct sun or high temperatures.
- Maximum top weight load of 50 LBS
- Maximum shelf weight load of 30 LBS
- Use only on level surfaces.
- Do not allow children to climb the product.

CALIFORNIA PROPOSITION 65 WARNING:

- **WARNING:** This product may expose you to chemicals including Nickel and Chromium which are known to the State of California to cause cancer. Stainless-Steel products present no health hazard in their natural state during use, storage, and transportation, but may present a hazard when in dust form. For more information, go to www.P65Warnings.ca.gov



Customer Service Hotline

1-866-994-6390

DO NOT RETURN YOUR PREP CART TO THE STORE




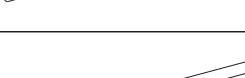
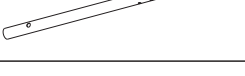
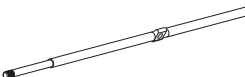
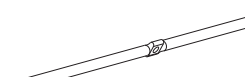
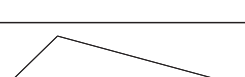
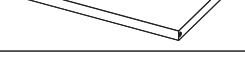
Before visiting your local retailer, call our customer service department at 1-866-994-6390 from 9:00 am to 5:00 pm Eastern Time, Monday through Friday.

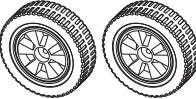

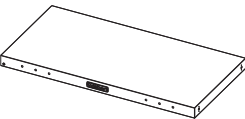
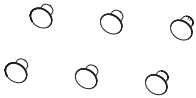




Table of Contents

Table of Contents	2
Package Contents List	3
Assembly Instructions	4
Care and Maintenance	12
Exploded View	12
Parts List	13
Warranty & Replacement Parts	Back Cover
Questions?	Back Cover




WHAT'S IN THE BOX




COMPONENTS

PART	DESCRIPTION	QTY
1	 Left front leg	1pc
2	 Left rear leg	1pc
3	 Right front leg	1pc
4	 Right rear leg	1pc
5	 Wheel axel	1pc
6	 Support beam (B)	1pc
7	 Storage shelf	1pc
8	 Hand screws	4pc
9	 Support beam (A)	1pc

PART	DESCRIPTION	QTY
10	 Wheels	2pc
11	 Handle assembly	1pc
12	 Counter top assembly	1pc
13	 Tool hooks	6pc
14	 Bottle opener	1pc
15	 Trash bag holder	1pc
16	 Paper towel holder	1pc
17	 Wheel cap	2pc

HARDWARE

PART	DESCRIPTION	QTY
A	 Truss head screw 1/4 - 20x1/2	18pc
B	 Truss head screw 5/32 - 32x25/64	2pc
C	 Tool hook screw 3.5x12	6pc

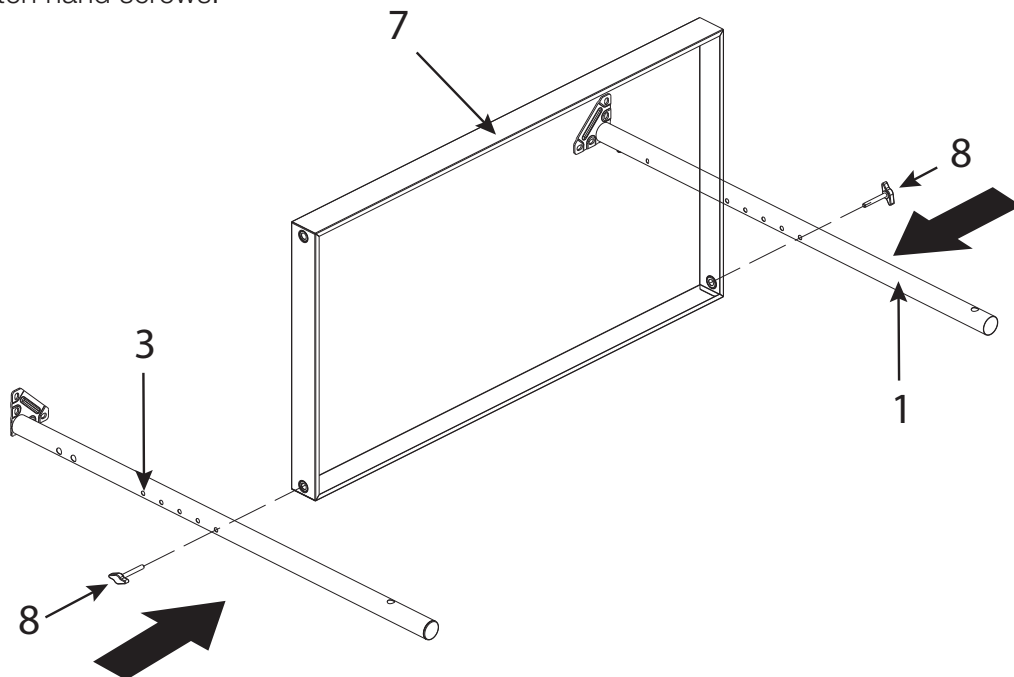
PART	DESCRIPTION	QTY
D	 Washer	6pc
E	 Tool hook washer	6pc
F	 Wheel nut	2pc

ASSEMBLY INSTRUCTIONS

Before beginning assembly, installation or operation of product, make sure all parts are present. Compare parts with package contents list and exploded view (p.12). If any part is missing or damaged, do not attempt to assemble, install or operate the product. Contact customer service for replacement parts.

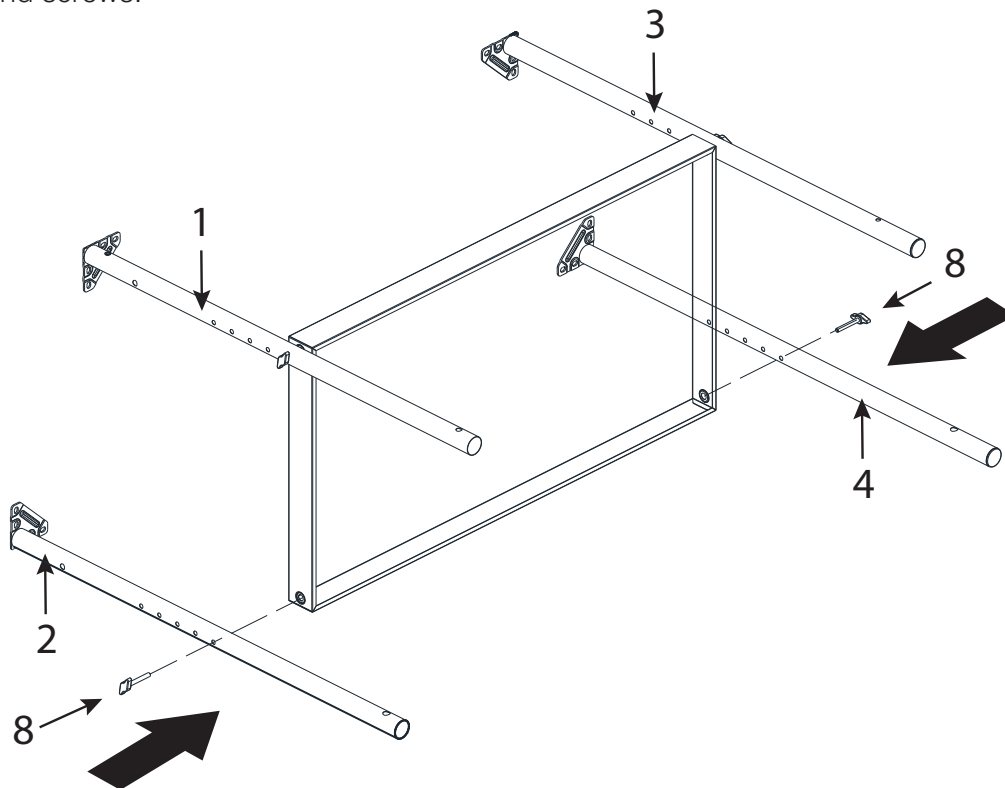
STEP 1

- Connect the right front leg (3) and the left front leg (1) to the storage shelf (7) using 2 hand screws (8). Do not fully tighten hand screws.



STEP 2

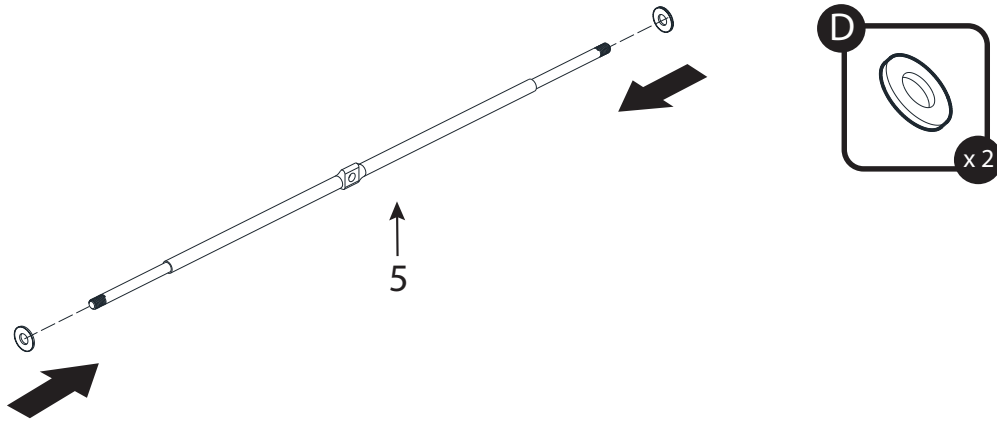
- Connect the left rear leg (2) and the right rear leg (4) to the storage shelf (7) using 2 hand screws (8). Do not fully tighten hand screws.



ASSEMBLY INSTRUCTIONS

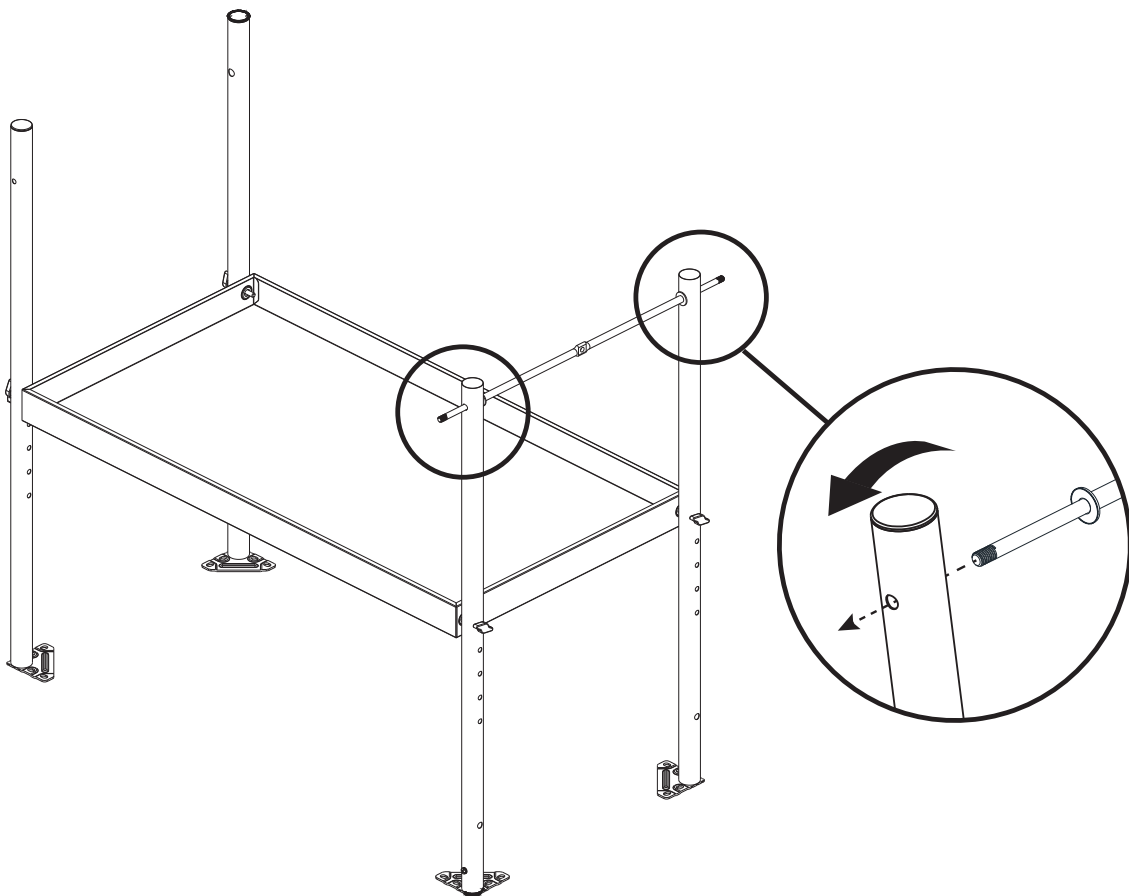
STEP 3

- Add 1 D washer to either end of the wheel axle (5).



STEP 4

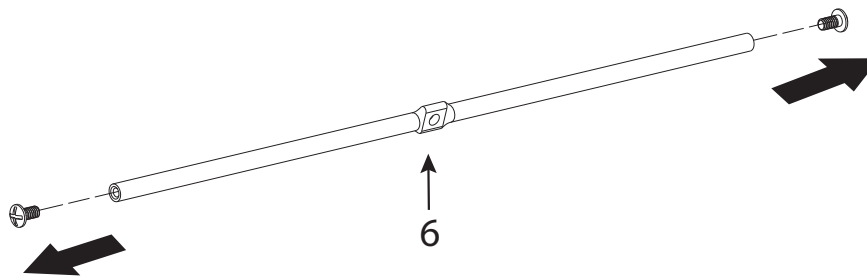
- Flip the frame over as shown below.
- Insert the wheel axle (5) in to the bottom holes of the left legs. Tilt the legs as necessary to fit the axle between.



ASSEMBLY INSTRUCTIONS

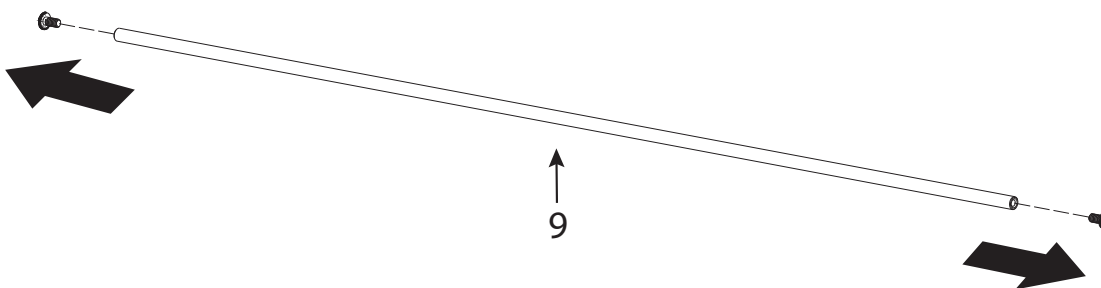
STEP 5

- Remove 1 screw from either end of the frame support beam B (6).



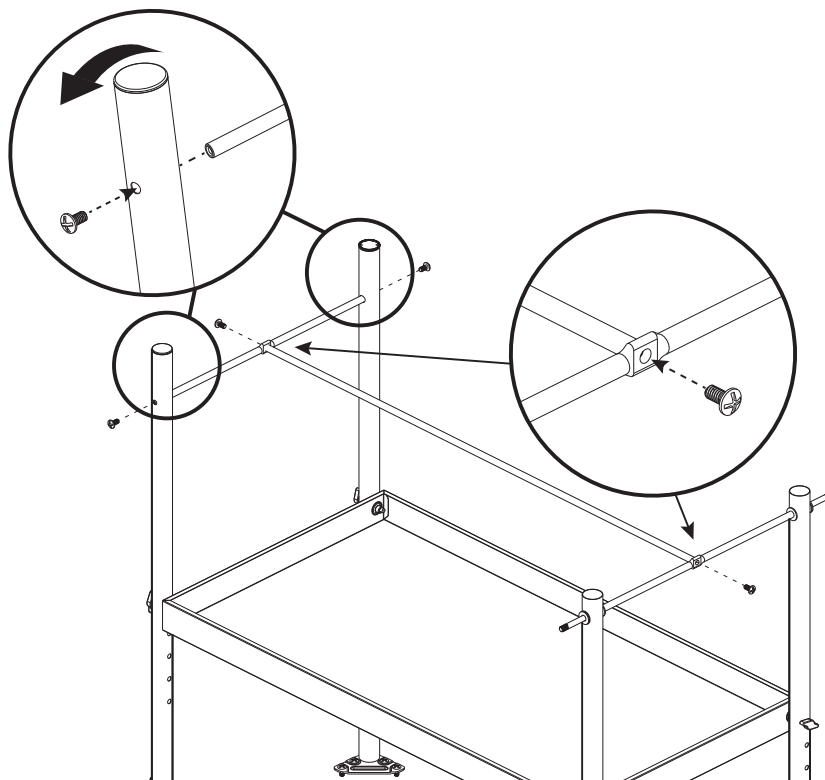
STEP 6

- Remove 1 screw from either end of the frame support beam A (9).



STEP 7

- Insert the frame support beam B in to the bottom holes of the right legs and replace the screws.
- Then position the frame support beam A between the frame support beam B and the wheel axle and replace the screws.

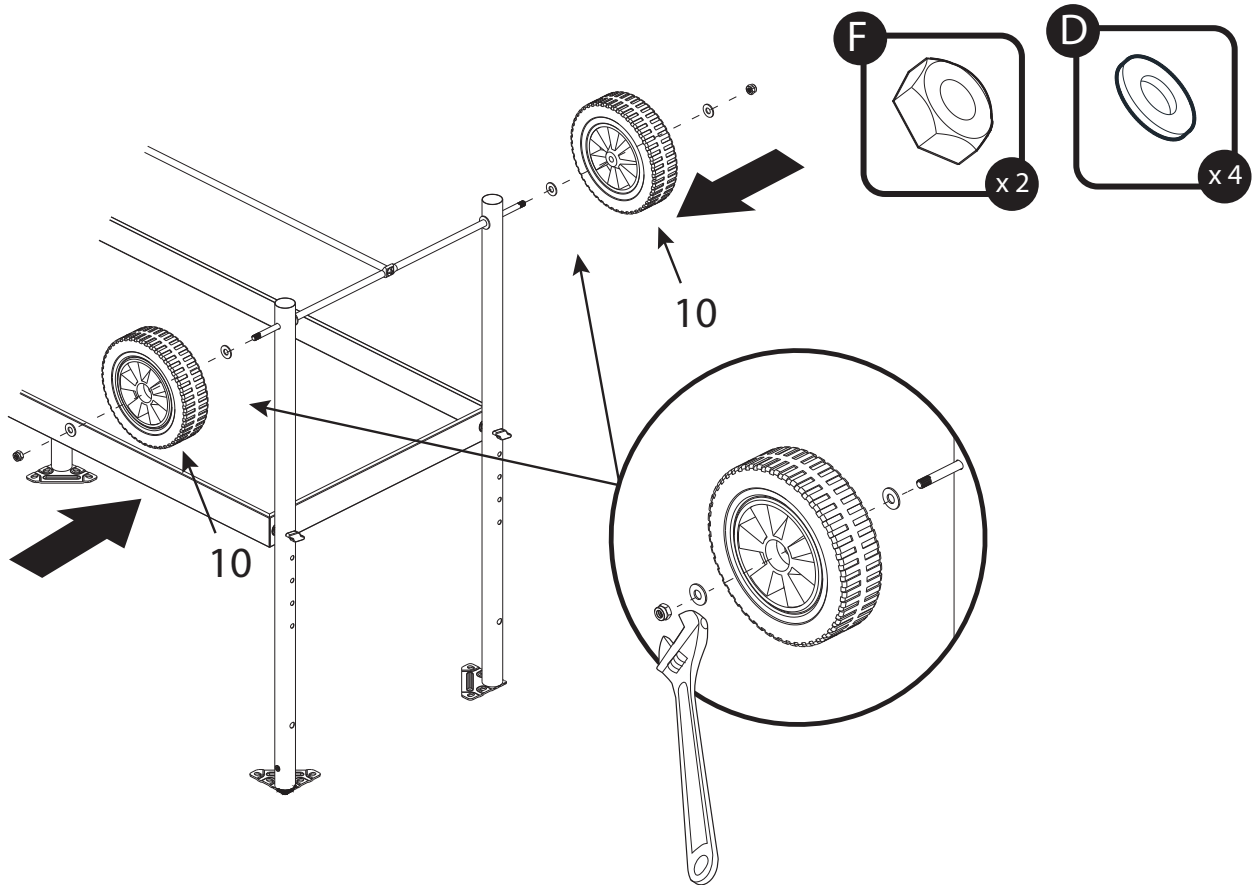


! **Note:** Do not tighten screws in this step fully until frame support beam A is in place.

ASSEMBLY INSTRUCTIONS

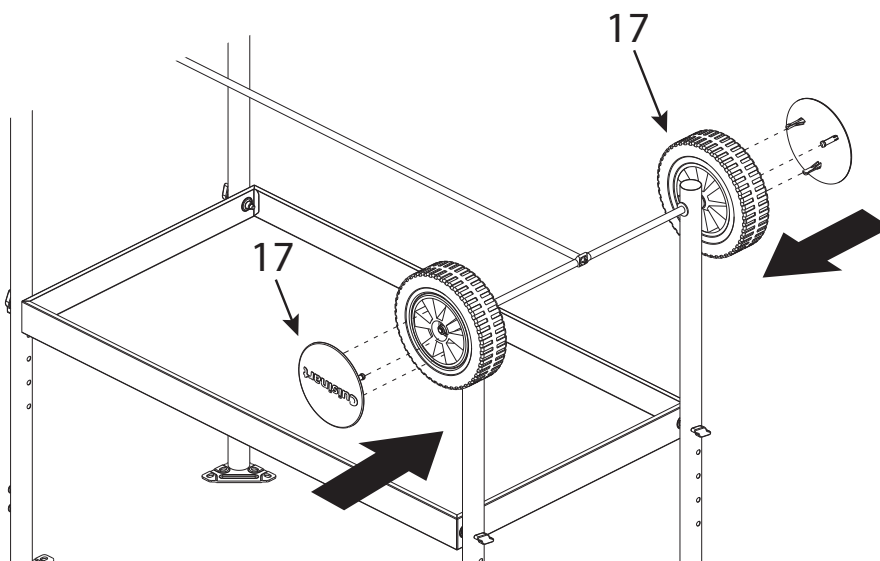
STEP 8

- Add one D washer to either end of the wheel axle then place the wheels (10) on. Add an additional D washer to the outside of each wheel and secure using 1 F nut on either side. Tighten with a wrench.



STEP 9

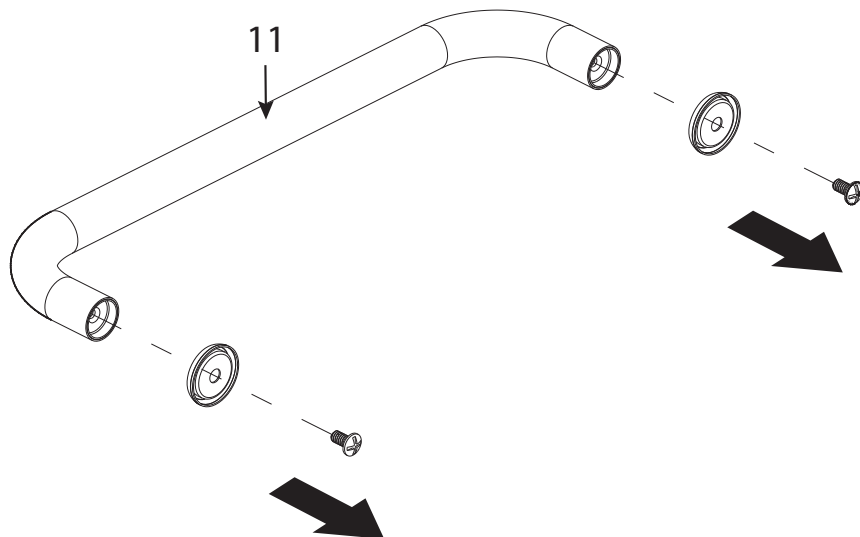
- Add the wheel caps (17) to the wheels by lining up the pegs on the wheel caps with the holes on the wheels. Press in firmly to attach.



ASSEMBLY INSTRUCTIONS

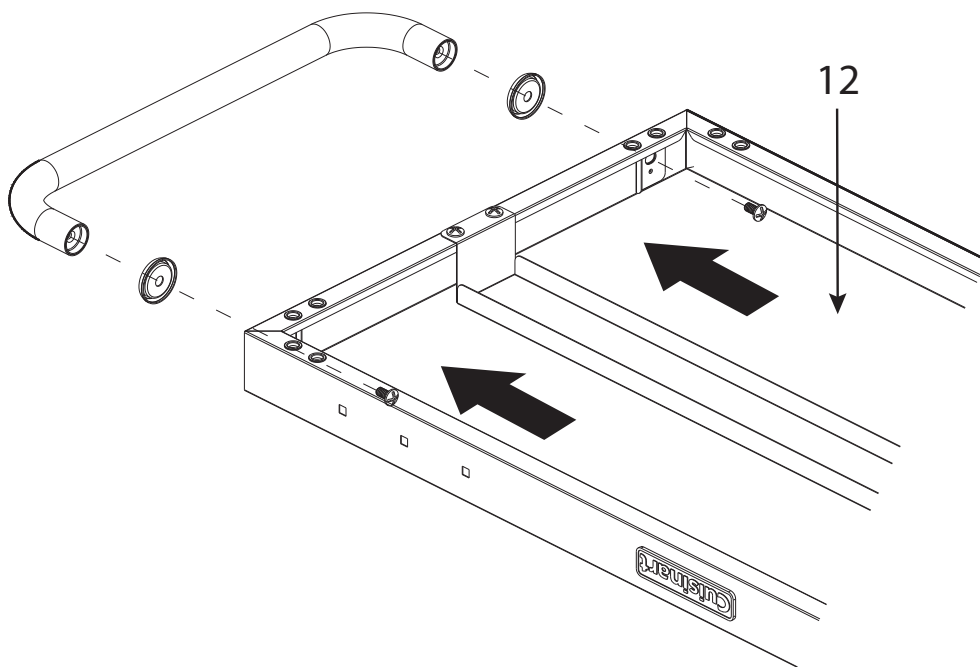
STEP 10

- Remove 1 screw from either end of the handle assembly (11).



STEP 11

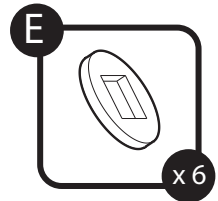
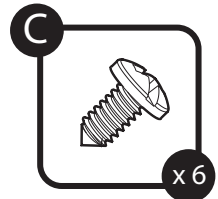
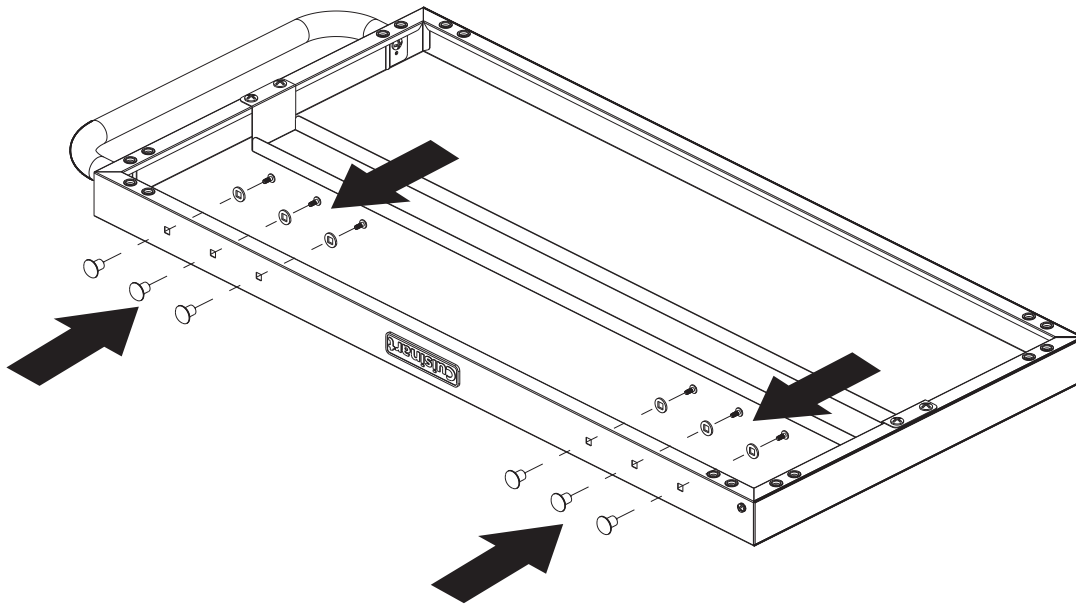
- Attach the handle assembly to the right side of the counter top assembly (12) using the screws that were previously removed.



ASSEMBLY INSTRUCTIONS

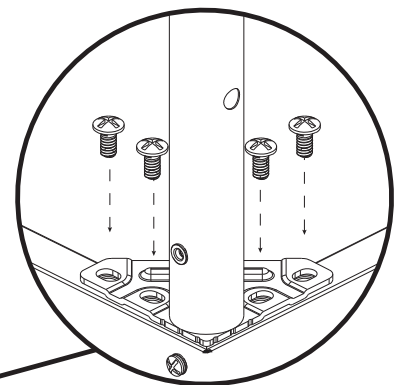
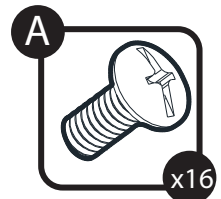
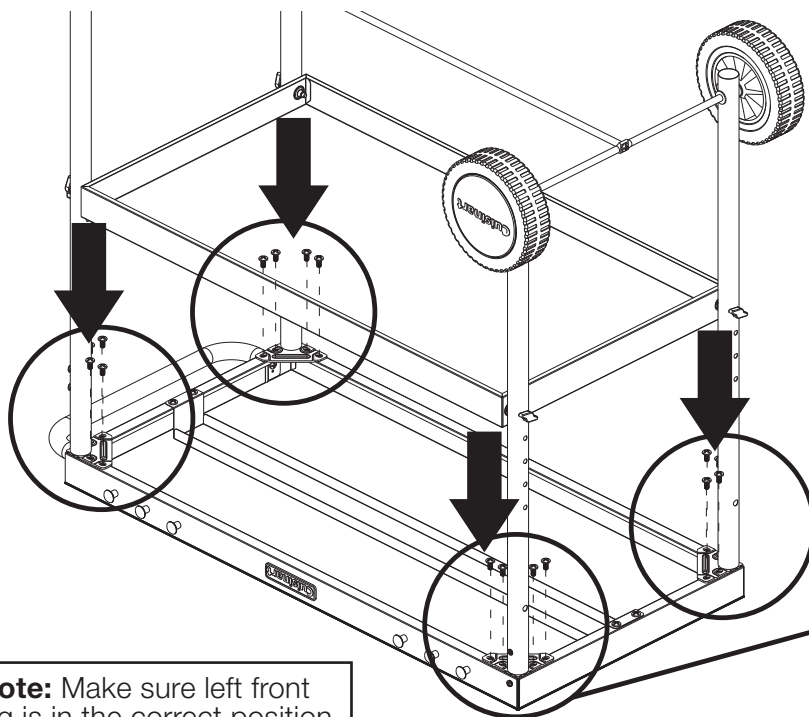
STEP 12

- Attach the tool hooks (13) using 6 C screws and 6 E washers as shown below.



STEP 13

- Lift the frame on to the counter top assembly and line up the holes on the legs with the holes on the counter top assembly as shown below. Use 4 A screws on each leg to secure.

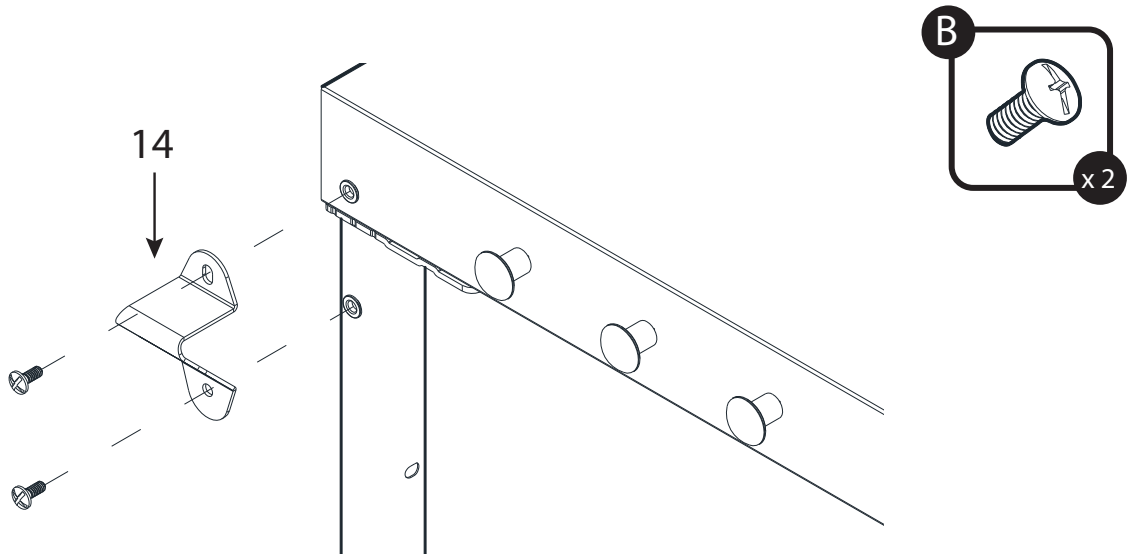


! **Note:** Make sure left front leg is in the correct position during this step.

ASSEMBLY INSTRUCTIONS

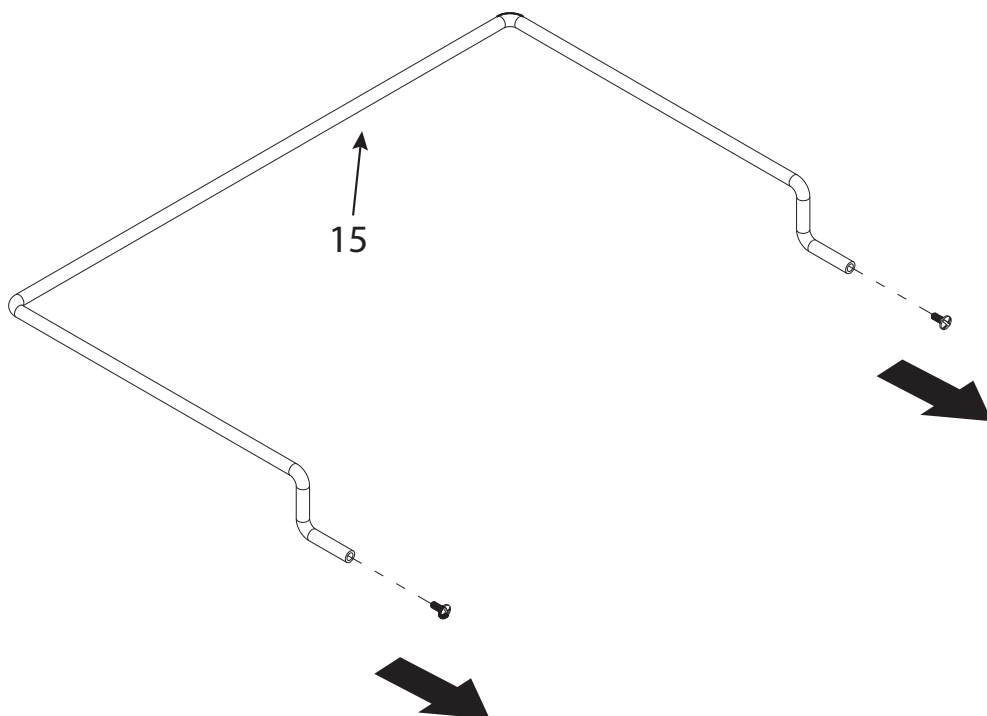
STEP 14

- Attach the bottle opener (14) to the left front leg using 2 B screws.



STEP 15

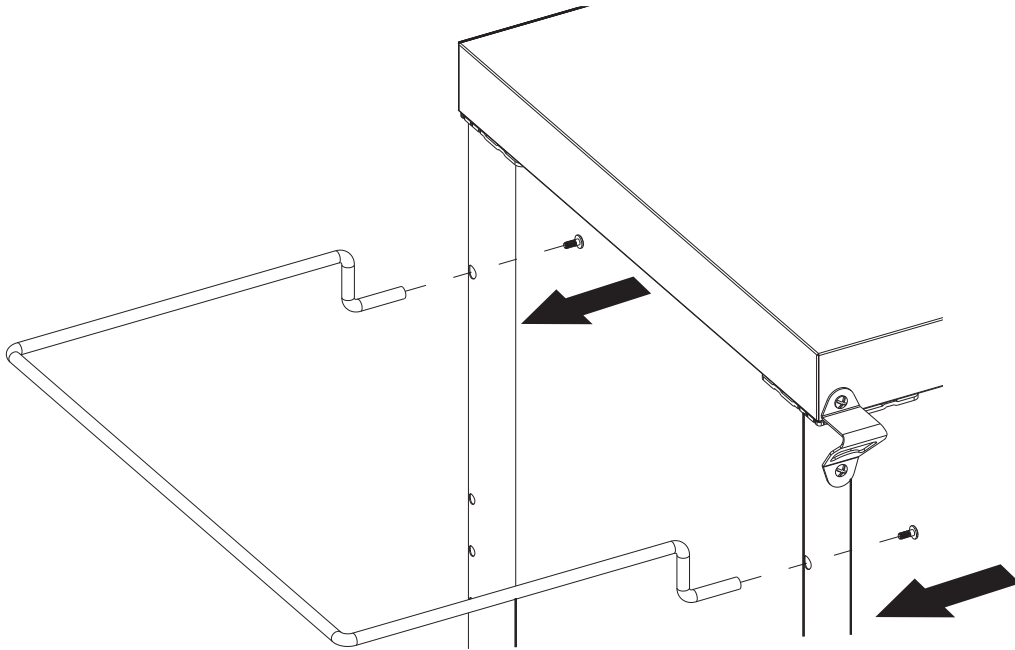
- Remove 2 screws from the trash bag holder (15)



ASSEMBLY INSTRUCTIONS

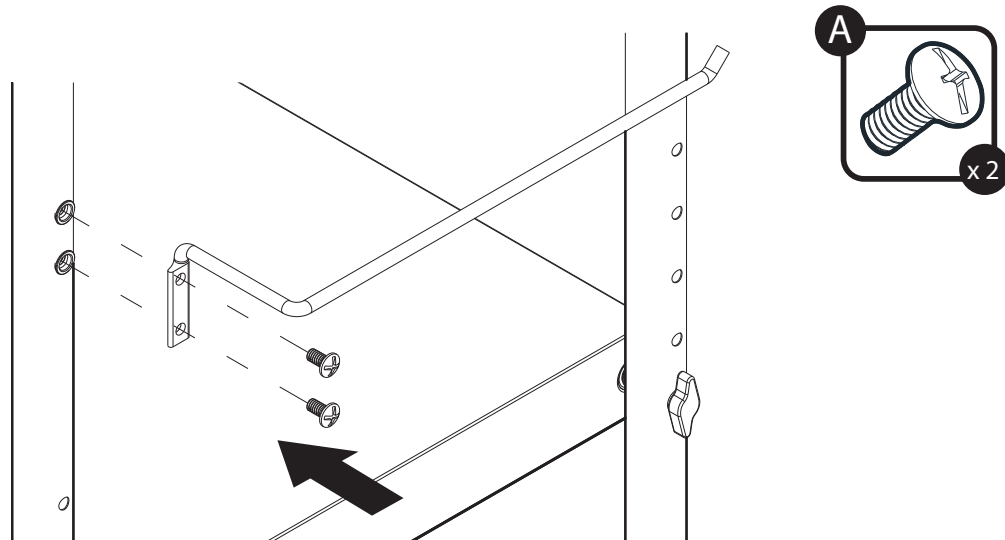
STEP 16

- Attach the trash bag holder to the left legs as shown below.



STEP 17

- Attach the paper towel holder (16) to the right front leg using 2 A screws as shown below.



CARE AND MAINTENANCE

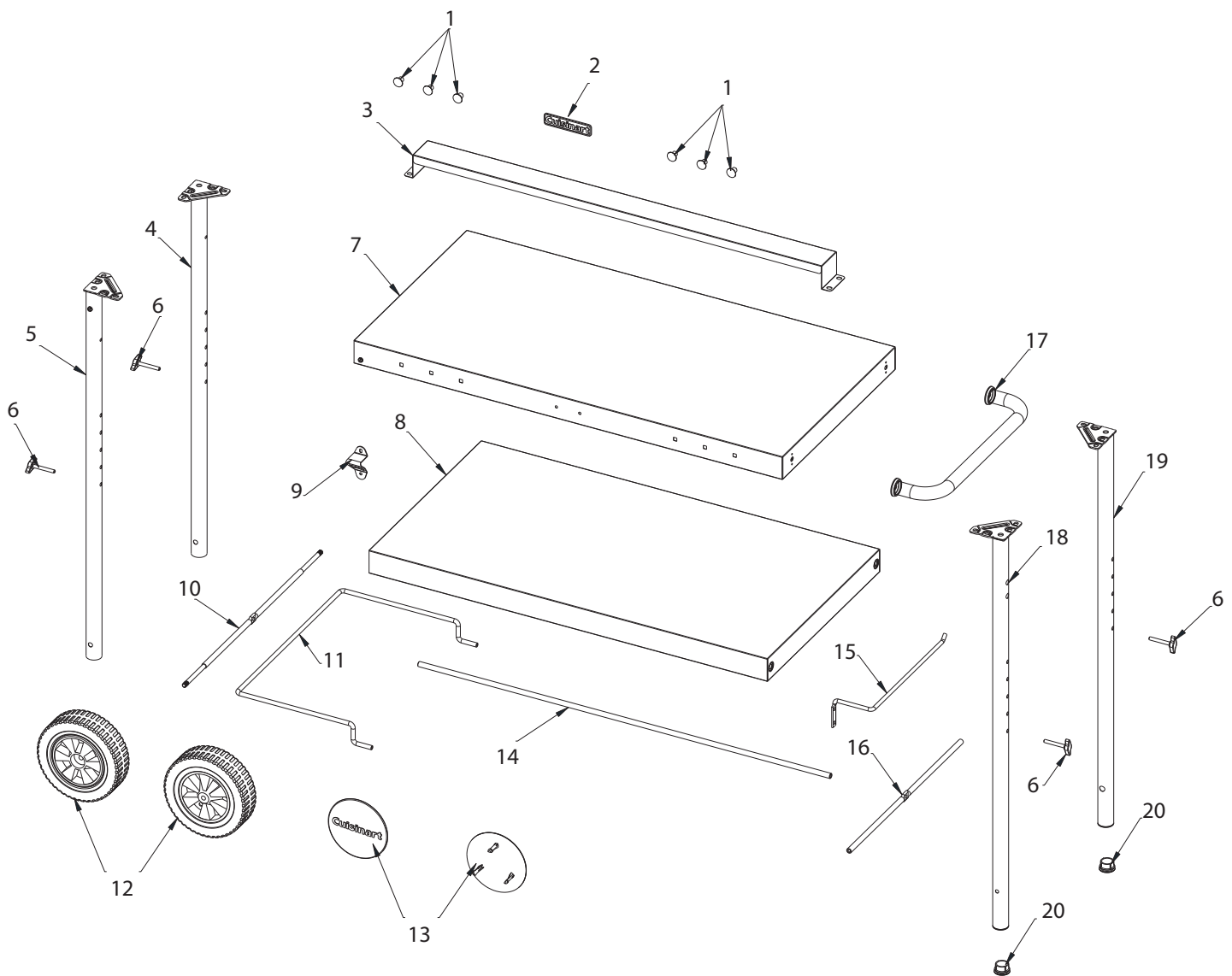
CLEANING

Painted surfaces: Wash with mild detergent or non-abrasive cleaner and warm water.

Stainless steel surfaces: Wash with mild detergent and warm soapy water or use a stainless steel cleaner. Wipe dry with a soft cloth after each use. Wash only in the direction of the stainless brushed finish to avoid damage. Stainless steel can rust under certain conditions. This can be caused by acidic marinades, chlorine, saltwater, exposure to coastal climates, other natural elements, or improper cleaning tools such as wire or steel wool.

EXPLODED VIEW

For replacement parts, call our customer service department 866-994-6390, 9 a.m.-5 p.m., EST, Monday-Friday or email consumercare@thefulhamgroup.com NOTE: Not all parts are replaceable.



PARTS LIST

Part	Description	Quantity
1	Tool hooks	6 pc
2	Logo badge	1 pc
3	Counter top support beam	1 pc
4	Left rear leg	1 pc
5	Left front leg	1 pc
6	Hand screws	4 pc
7	Counter top assembly	1 pc
8	Storage shelf	1 pc
9	Bottle opener	1 pc
10	Wheel axel	1 pc
11	Trash bag holder	1 pc
12	Wheels	2 pc
13	Wheel caps	2 pc
14	Frame supprt beam A	1 pc
15	Paper towel holder	1 pc
16	Frame support beam B	1 pc
17	Handle	1 pc
18	Right front leg	1 pc
19	Right rear leg	1 pc
20	Leg end caps	2 pc

WARRANTY AND REPLACEMENT PARTS

This warranty covers defects in parts and workmanship for a period of 1 year from the original purchase date.

The following conditions are NOT covered by this warranty:

- Unevenness and color variations in the coated surfaces.
- Damage caused by improper assembly or disregard of the manual.
- Use of spare parts not supplied by manufacturer.
- Damage resulting from modifications or inappropriate use.
- Damage caused by improper maintenance or repairs by an unauthorized person.

Limitations and exclusions:

1. This warranty applies only to the original purchaser and may not be transferred.
2. If you can not verify the purchase date of the prep cart the warranty period will begin on the date the prep cart was manufactured.
3. Replacement or repair parts are warranted for the remaining period of the original part warranty.

Your obligations:

This prep cart must be assembled, installed, operated and maintained in accordance with all applicable codes and the instruction manual furnished with this prep cart. You must keep an invoice, cancelled check or payment record to verify the purchase date of the prep cart.

Questions, problems, missing parts? Before returning to your retailer, call our customer service department at 866-994-6390, 9 a.m.-5 p.m., EST, Monday-Friday or email consumercare@thefulhamgroup.com

**Model#CPT-200
North American Distributor:
The Fulham Group
Newton, MA 02466**