

REPLACEMENT PARTS:

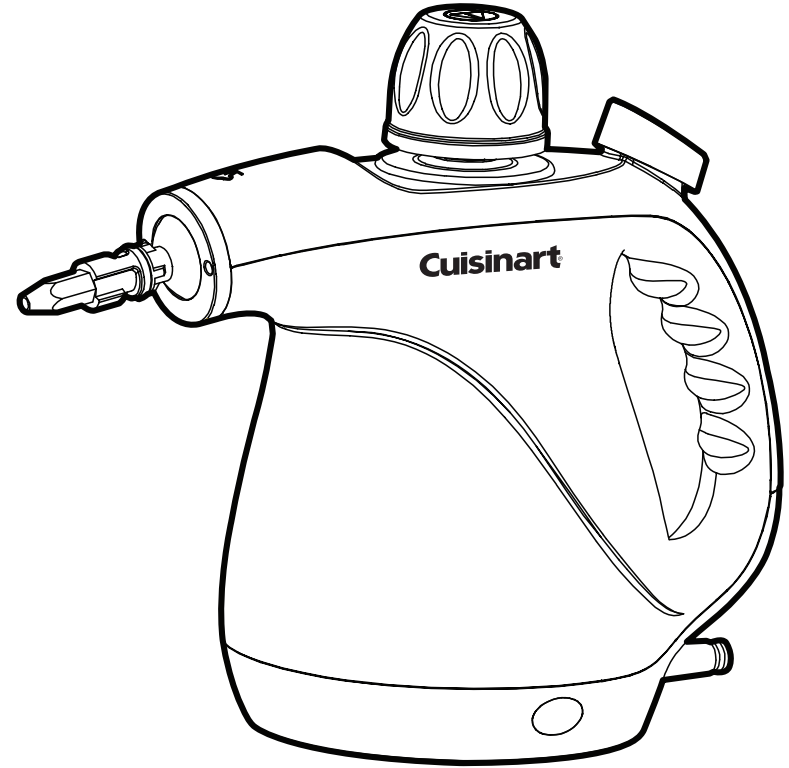
Cuisinart®
GOURMET OUTDOOR GRILLING

**GRILL RENEW STEAM
CLEANING SYSTEM
MODEL NO: CCB-2717**

PARTS LIST

PART #	DESCRIPTION	QTY
S60198	Funnel	(x1)
S60199	Measuring Cup	(x1)
S60200	Spray Nozzle	(x1)
S60201	Scour Pad Head	(x1)
S60202	Wire Brush Head	(x1)
S60203	Nylon Brush Head	(x1)
S60204	Grill Renew Head	(x1)
S60205	Scraper Head	(x1)
S60206	Long Spray Nozzle	(x1)
S60207	Safety Cap	(x1)

OWNER'S MANUAL ASSEMBLY AND OPERATING INSTRUCTIONS



Cuisinart®
SAVOR THE GOOD LIFE

Get Social With Us @CuisinartBBQ



See our full line of premium Cuisinart®
Outdoor Cooking Products at
www.cuisinart.com/outdoorgrilling

©2022 Cuisinart
Cuisinart® is a registered trademark under license to
The Fulham Group. Distributed by The Fulham Group,
Newton, MA. 02466 U.S.A. MADE IN CHINA.
Contact us at consumercare@thefulhamgroup.com
One Year Limited Warranty.

Model # CCB-2717
North American Distributor:
The Fulham Group
Newton, MA 02466

⚠ WARNING

FOR CORRECT AND SAFE USAGE, READ THESE
INSTRUCTIONS CAREFULLY AND KEEP
IN A SAFE PLACE FOR FUTURE REFERENCE.

Customer Service Hotline
1-866-994-6390

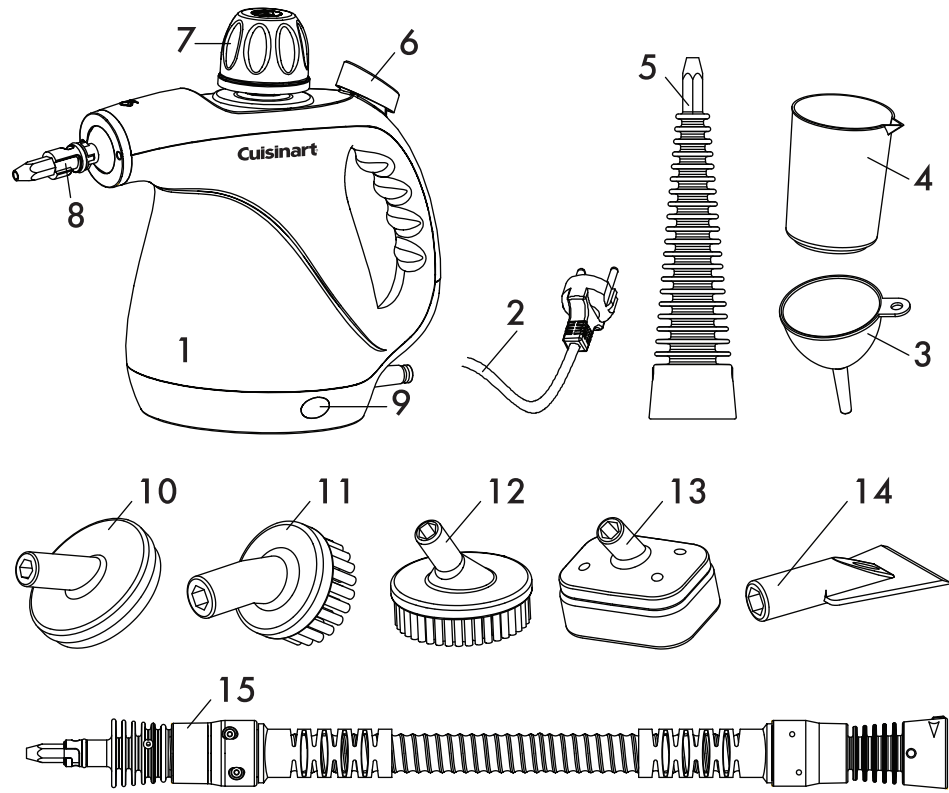
TECHNICAL SPECIFICATIONS

- Rating of Power Supply: AC 110-120 V, 60 Hz. Total Tank Capacity: 450 ml.
- Maximum amount of water needed in the tank: 350 ml. Rated Power: 900 -1050 W.
- Steam Pressure: 0.25 - 0.32 Mpa. Injected steam capacity: 28 g/min.
- Temperature controller (functioning temperature): 275°F (135°C). Fuse (functioning temperature): 332°F (167°C).

DO NOT RETURN PRODUCT TO THE STORE

Before visiting your local retailer, please email consumercare@thefulhamgroup.com, call 1-866-994-6390, or visit www.thefulhamgroup.com to online chat with a representative. To best serve you, our Representatives are available to answer your calls and live chats Monday to Friday, 9 AM - 5 PM EST.

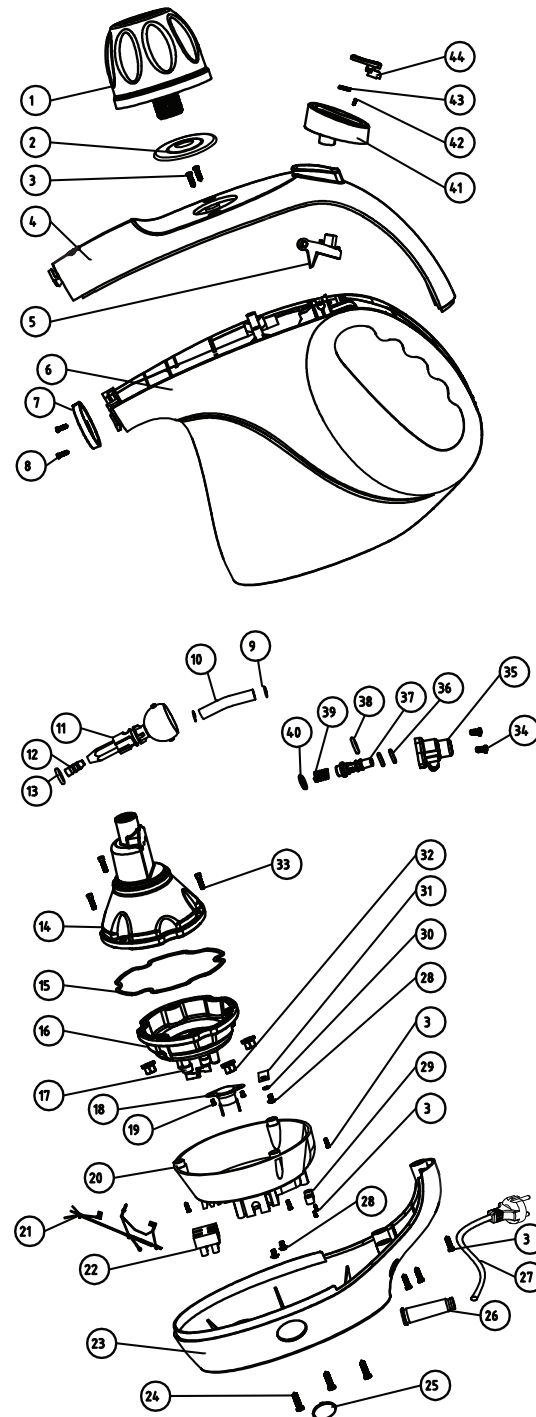
COMPONENTS



PART	DESCRIPTION
1	Steam Cleaner Unit
2	Power Cord and Plug
3	Funnel
4	Measuring Cup
5	Spray Nozzle
6	Steam Button
7	Safety Cap

PART	DESCRIPTION
8	Connector Spray Nozzle
9	Heating Indicator Light
10	Scour Cleaning Pad
11	Circular Wire Brush
12	Circular Nylon Brush
13	Grill Renew Cleaning Head
14	Scraper Blade
15	Long Spray Hose

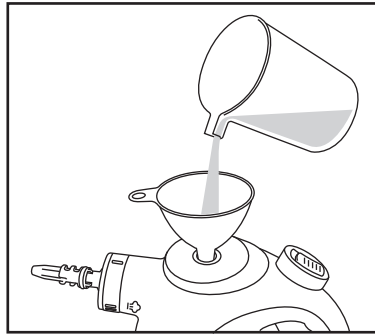
EXPLODED VIEW



PART	DESCRIPTION
1	Safety Cap
2	Waterproof Ring
3	Nut
4	Handle Cover
5	Holder for Button
6	Body
7	Collar
8	Nut
9	Snap Ring
10	Silicone Tube
11	Universal Joint
12	Nozzle
13	O-Ring
14	Boiler Cover
15	Seal Ring for Boiler
16	Boiler Base
17	Insulation Covering
18	Thermostat
19	Nut
20	Holder for Boiler
21	Internal Wiring
22	Terminal
23	Base
24	Nut
25	Lamp Cover
26	Power Cord Sheath
27	Power Cord
28	Nut
29	Power Cord Platen
30	Lock Washer
31	Fuse Platen
32	Nut
33	Nut
34	Nut
35	Valve Holder
36	O-Ring
37	Valve Push Rod
38	O-Ring
39	Spring for Push Rod
40	Seal Ring for Valve
41	Button
42	Nut
43	Spring
44	Lock

TO REFILL THE WATER DURING OPERATION

1. Unplug the power cord from the power supply.
2. Press down the steam button to release the pressure until no steam is sprayed out.
3. Slowly unscrew the safety cap but do not remove it, and residual steam will be discharged slowly until no steam comes out.
4. Place the machine in a cool place to cool it down for about five minutes. Finally, completely remove the safety cap.
5. Use the funnel and measuring cup to refill a suitable quantity (not more than 350 ML/ 1.5 Cups) of cold or hot water into the tank.
6. Re-install the safety cap onto the machine body and tighten it in position.



COMMON PROBLEMS AND SOLUTIONS

If you encounter problems when using the product, please refer to the following tips and solutions.

POSSIBLE PROBLEMS	POSSIBLE CAUSES AND SOLUTIONS
The machine will not heat up and the indicator light will not light up	<ol style="list-style-type: none"> 1. Check whether the socket is powered - 2. Check whether the power plug is inserted in place - 3. If there is still a problem of non-heating after troubleshooting steps 1.2, please contact our consumer care department at 1-866-994-6390 or by email at consumercare@thefulhamgroup.com.
No steam	<ol style="list-style-type: none"> 1. Make sure the ON/OFF switch is forward to ON and the steam button is pressed down.
Weak steam	<ol style="list-style-type: none"> 1. Make sure the button is pressed to the bottom. 2. Water in the boiler maybe low, which is normal. Just add water again. <p>Note: if the low steam is produced for about 10 seconds during continuous use, this is as a function of temperature control and not a product issue.</p>
The safety valve cover can be rotated, but the safety valve cannot be opened	<ol style="list-style-type: none"> 1. The safety valve cover can rotate, and there may be residual steam in the boiler--- Pull out the power cord, press the steam button to spray the steam and ensure that the machine is cooled before opening the safety valve 2. It may be that the safety valve is tightened too hard - normally, the safety valve is easily and naturally screwed in place with four fingers, and then tightened about 90 degrees to seal

If you are still experiencing difficulties with the unit after following the troubleshooting steps above, please contact our consumer care department at 1-866-994-6390 or by email at consumercare@thefulhamgroup.com.

MAINTENANCE METHOD

- After use, ensure that there is no residual water in the boiler.
- After use, store the products and accessories in a dry place after the machine is completely cooled.

CLEANING METHOD

- Unplug the power supply for each cleaning, and then wipe the product surface with a dry cloth until it is clean.
- Boiler scale cleaning: add 250ml of 1:10 vinegar water mixed liquid, stand for one hour, and then pour it out.

SAFETY INFORMATION

IMPORTANT SAFETY INFORMATION

- The steam cleaner must not be operated by children without adult supervision.
- The device should be disconnected from the power source after use and before cleaning.
- To prevent electrical shock, do not immerse power cord or power plug in water or other liquids.
- The power cord of this appliance is not replaceable by the user. If the power cord is damaged, it must be replaced by the manufacturer, its service agent or similarly qualified persons in order to avoid a hazard.
- This product is for use in households and must not be used for industrial applications.
- Do not turn on the power supply until the tank is full of water.
- The power supply used should comply with the product requirements of the manufacturer.
- During operation, the safety cap must be completely screwed down and securely tightened
- A socket with ground wire must always be used as a power source.
- **IN USE, THE STEAM CLEANER UNIT MUST NOT BE TIPPED MORE THAN 45 DEGREES.** Tipping it further will result in boiling water sprayed out together with steam.
- Do not direct the steam towards persons or animals.
- Before refilling water, unplug the power cord to disconnect the power supply. It is necessary to unplug the power cord after the steam cleaner is used, before it is cleaned, and while it is repaired.
- Do not add any rust remover, odor counteracting agent, alcohol, or detergent into the tank, as such fluids will damage the tank.
- Do not immerse steam cleaner in water or use to clean swimming pools.
- This is not a toy and is not to be used by children.
- The liquid or steam must not be directed towards equipment containing electrical components, such as the interior of ovens.
- **OVERFILLING THE TANK WILL CAUSE OVERLY HIGH STEAM PRESSURE WHICH WILL RESULT IN SCALDING.**

OPERATING INSTRUCTIONS

1. Unpack the product, check the accessories and documents provided with the product and make sure that the product and accessories are not damaged.
2. Before use, please read the User Manual carefully. The steam cleaner is only for use in households or outdoor grilling appliances.
3. Place the steam cleaner on a level platform, push down the safety cap, unscrew the safety cap counterclockwise, and then install the funnel.
4. The safety cap cannot be opened if there is pressure in the boiler to ensure safety for users. To open the cap make sure the steam cleaner has cooled down completely.
5. THE TOTAL TANK CAPACITY IS 450 ML, BUT ONLY PUT A MAXIMUM OF 350 ML OF WATER INTO THE TANK, AS WATER TURNS TO STEAM INSIDE THE TANK, FILLING THE EMPTY SPACE. IF THERE IS NO EMPTY SPACE INSIDE THE TANK, THE UNIT WILL NOT BE ABLE TO GENERATE ANY STEAM.
6. Re-install the safety cap and tighten it in position. Ensure the safety cap is completely screwed down and securely tightened.

OPERATING INSTRUCTIONS

7. Check the power supply and socket, and confirm they comply with the requirements given in the technical specifications. Then turn on the power supply.
8. After it is plugged in, the round light at the bottom will turn on, indicating that the unit is heating up and pressure is increasing. When the light turns off, it means the Steam Cleaner is ready for use.
9. Slide the ON/OFF switch forward and lightly press the steam button and check whether steam sprays out of the nozzle. (Do not aim the spray nozzle at other persons or objects).
10. If steam sprays out, install suitable accessories according to your needs after you release the button.
11. Repeat Step 9 again to continue releasing steam for cleaning.

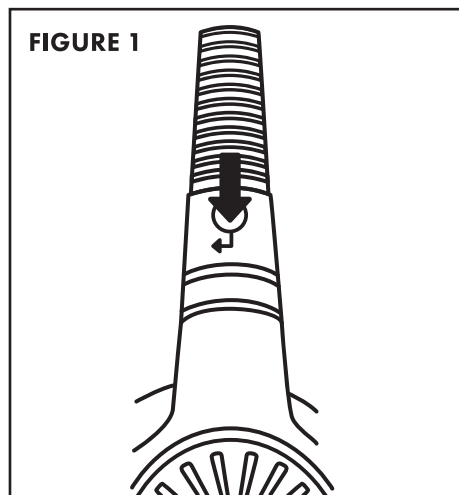
After the steamer unit is used:

1. After the steamer unit is used, unplug the power cord from the power supply.
2. Press down the steam button to release the pressure until no steam is ejected out.
3. Slowly unscrew the safety cap but do not remove it, and residual steam will be discharged slowly until no steam comes out. Then place the steam cleaner in a cool place to cool it down for about five minutes. Finally, completely remove the safety cap.
4. Empty the residual water in the tank and clean the external surface with a piece of dry cloth.
5. Then re-install the safety cap onto the steam cleaner and tighten it in position.

INSTALLATION OF ACCESSORIES

INSTALLING THE SPRAY NOZZLE OR LONG SPRAY HOSE:

1. Hold the pipe section of the spray nozzle in your hand.
2. Align the single line on the spray nozzle with the single-white line mark on the steamer unit. Insert the spray nozzle in position. Rotate counterclockwise to lock the spray nozzle.
3. Align the arrow on the spray nozzle with the double-line mark on the steam cleaner, as shown in Figure 1.

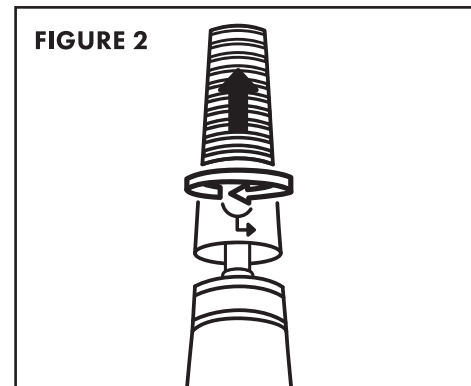


4

INSTALLATION OF ACCESSORIES

TO REMOVE THE SPRAY NOZZLE OR LONG SPRAY HOSE:

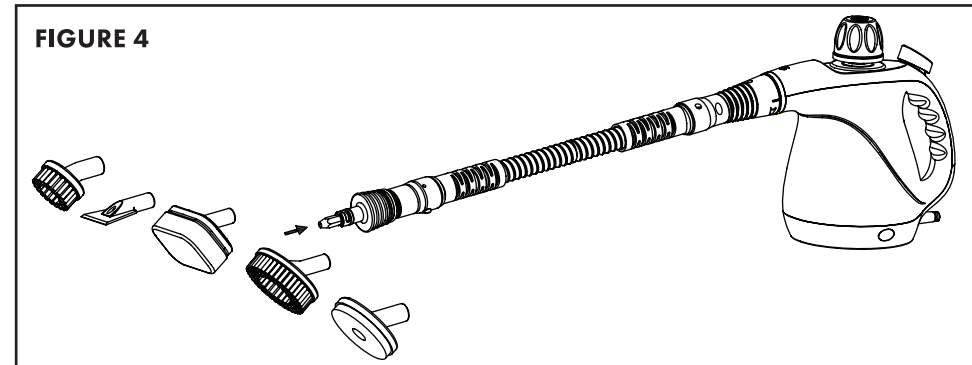
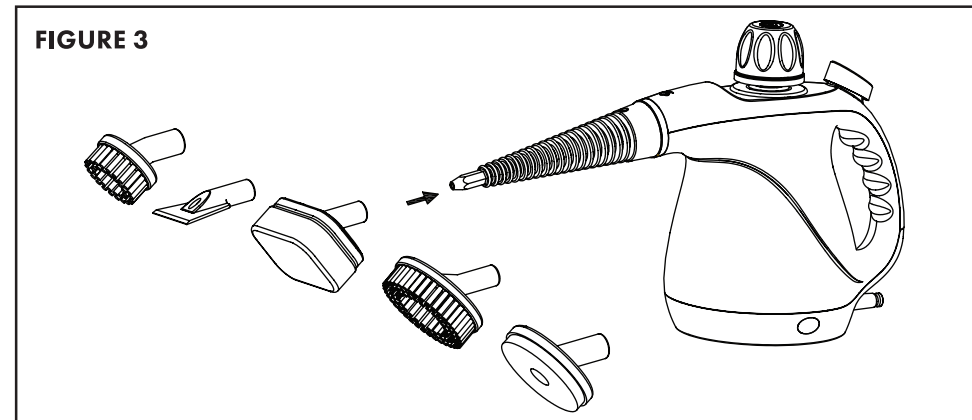
1. Rotate the spray nozzle clockwise as shown in Figure 2.
2. Align the arrow on the spray cup with the single-line mark on the machine body.
3. The spray nozzle can now be pulled out.



INSTALLING OTHER BRUSHES:

Scour cleaning pad brush, Circular wire brush, Circular nylon brush, Grill Renew cleaning head, Scraper blade can be used with both the spray nozzle and long spray hose.

1. Insert the brush in position as shown in Figure 3 and Figure 4



5