

## THE POWER OF **TRUE COMMERCIAL**

# CROSSOVER 2.0 WASHER

Strength, durability, and performance are at the center of the newly refined Crossover 2.0 by Wascomat small chassis front load washer. Built with professional grade components and loaded with powerful features, Crossover combines innovative technology, energy efficiency, and proven Wascomat reliability for optimal results every time.

## KEY FEATURES

- Extra large load drum — 22+ pound capacity
- **15,000+ cycle machine life design (tested at full load)**
- Real-time clock for happy hour, promotional pricing
- Superb cleanability with 4 field adjustable wash programs
- **Top quality SKF bearings in a heavy duty cast iron housing**
- 3 seals with 5 lips protect bearings
- Pump drain standard
- ADA compliant
- **300 G-force for greatest spin moisture reduction and faster dry time**
- Superior over-suds and unbalance tolerance
- AC motor (no brushes)
- Front access for easy serviceability
- **Professional 8-point suspension**
- Solid steel counterweights — no concrete
- Quiet operation
- **Saves up to 60% on water vs. top load washers**
- 2 cycle upgrade buttons enhance revenue
- Soft mount design for easy installation
- Energy Star® Certified



**WASHER**  
COIN/CARD & OPL



## WASHER MODELS

MODEL No: Metered (Coin) – WHLFP817M

MODEL No: Card Ready – WHLFP817DC

MODEL No: OPL, Non-Metered – WHLFP817OPL

## 15,000+ CYCLES\*

**WE DON'T JUST MAKE PROMISES,  
WE DELIVER RESULTS — YEAR AFTER  
YEAR, CYCLE AFTER CYCLE.**

Crossover 2.0 semi-professional washers are built with *True Commercial* components and last nearly three times longer than residential models & top load washers.

*\*Note: that's tested at full load capacity!*

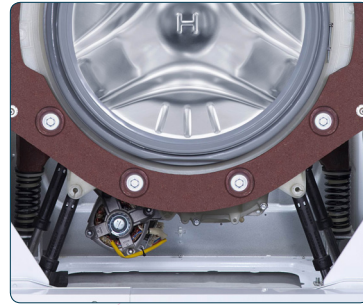
# CROSSOVER 2.0

WASHER  
COIN/CARD & OPL

## CROSSOVER 2.0 Washer Specifications

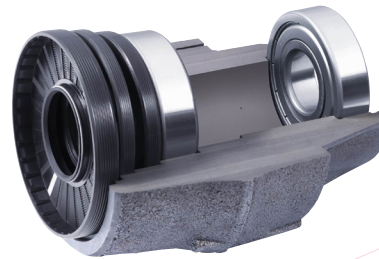
MODEL NO.	Metered (Coin)/Card-ready, Pump Model WHLFP817M / WHLFP817DC
MOTOR	Variable-speed, reversible, thermo-protected, high-efficiency, controlled induction
ELECTRICAL RATING	120 V/60 Hz/1-phase
BREAKER REQUIREMENTS	15A
CYLINDER VOLUME	3.5 cu ft (98 liters)
CYLINDER DIAMETER	21 5/8 in (550 mm)
CYLINDER DEPTH	18 1/4 in (464 mm)
WASH CAPACITY	22 lbs (10 kg)
DOOR OPENING	15 in (380 mm)
WASH SPEED	45 RPM
MAXIMUM RPM*	1,050 RPM
MAXIMUM G-FORCE*	300 G
INLET HOSE	2 3/8 in (hoses included)
WATER PRESSURE	15-90 psi (100-600 kPa)
DRAIN HOSE	1 in (25.4 mm)
CRATED WEIGHT	314 lbs (142 kg)
UNCRATED WEIGHT	299 lbs (136 kg)

## 8-POINT SUSPENSION



The robust 8-point suspension features advanced technology to keep loads in balance, eliminate oversuds, and finish the cycle. Premium counterweights are constructed of solid steel providing additional strength and enhancing the longevity of the machine.

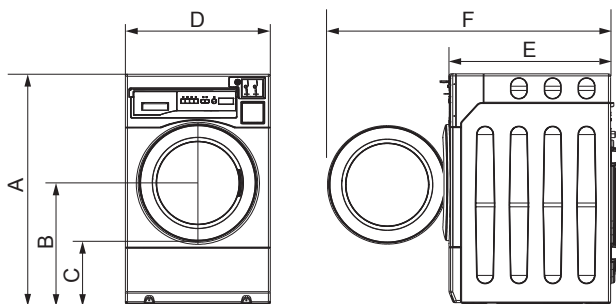
## HEAVY DUTY SKF BEARINGS



Two commercial grade SKF bearings are sealed for maximum protection. Three individual seals with 5 lips provide a water-tight barrier around the drive shaft to protect the bearings from damaging moisture.

## CROSSOVER 2.0 Washer Specs at a Glance

WASH CAPACITY	22 lb / 10 kg
CYLINDER VOLUME	3.5 cu ft / 98 liters
A. OVERALL HEIGHT	43 1/4 in (1098 mm)
B. HEIGHT TO CENTER OF DOOR	23 in (584 mm)
C. HEIGHT TO BOTTOM OF DOOR	12 3/16 in (310 mm)
D. OVERALL WIDTH	27 in (686 mm)
E. OVERALL DEPTH	30 1/8 in (765 mm)
F. DEPTH W/ DOOR OPEN 90°	51 3/16 in (1300 mm)



Preliminary specifications. Specifications subject to change without notice.

## TIME-OF-DAY PROMO PRICING



Crossover 2.0 washers are easily programmable with promotional vend pricing at specified times and days. Multiple promotion events can be programmed at one time using the built-in real time clock.

Refer installation and servicing to qualified, licensed personnel. Always read Installation and Operating Manuals and consult local codes before installation. Protect machines with properly rated circuit breakers ONLY. Warranty void if not properly installed.

**Preliminary specifications.** Specifications subject to change without notice. Laundrylux assumes no responsibility for errors or omissions in this information.

Money boxes and coin meter sold separately.