

THE POWER OF TRUE COMMERCIAL

CROSSOVER 2.0 STACKED WASHER & DRYER

Strength, durability, and performance are at the center of the newly refined Crossover 2.0 by Wascomat small chassis front load stacked washer & dryer combo. Built with professional grade components and loaded with powerful features, Crossover combines innovative technology, energy efficiency, and proven Wascomat reliability for optimal results every time.

KEY FEATURES

- Extra large load drum — 22+ pound capacity
- **15,000+ cycle machine life design (tested at full load)**
- Real-time clock for happy hour, promotional pricing
- Superb clean-ability with 4 field adjustable wash programs
- **Top quality SKF bearings in a heavy duty cast iron housing**
- 3 seals with 5 lips protect bearings
- **300 G-force for greatest spin moisture reduction and faster dry time**
- Superior over-suds and unbalance tolerance
- AC motor (no brushes)
- Front access for easy serviceability
- **Professional 8-point suspension** and Pump drain standard
- Solid steel counterweights — no concrete
- Axial airflow ensures the shortest drying time
- **Saves up to 60% on water vs. top load washers**
- 2 cycle upgrade buttons enhance revenue
- Space-saving and Soft-mount design for easy installation
- ENERGY STAR® Certified
- Roller supported tumbler
- Easy to clean, heavy duty lint screen



STACKED WASHER/DRYER COIN/CARD & OPL



STACKED WASHER/DRYER

AVAILABLE IN GAS OR ELECTRIC
MODEL No. (GAS):
Metered (Coin) / Card-ready
WDHLPS817G / WDHLPS817GDC

MODEL No. (ELECTRIC):
Metered (Coin) / Card-ready
WDHLPS817E / WDHLPS817EDC

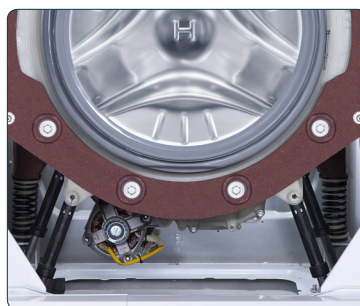
CROSSOVER 2.0

STACKED WASHER/DRYER
COIN/CARD & OPL

CROSSOVER 2.0 Washer & Dryer Specs

MODEL NO. GAS	Metered (Coin) / Card-ready - Pump Model WDHLPS817G / WDHLPS817GDC
MODEL NO. ELECTRIC	Metered (Coin) / Card-ready - Pump Model WDHLPS817E / WDHLPS817EDC
MOTOR	Variable-speed, reversible, thermoprotected, high-efficiency, controlled induction
ELECTRICAL RATING (GAS MODEL)	120 V/60 Hz / 1-phase
BREAKER FUSE REQUIREMENTS (GAS HEAT)	15A
BREAKER FUSE REQUIREMENTS (ELECTRIC HEAT)	30A
WASHER CYLINDER VOLUME	3.5 cu ft (98 liters)
DRYER CYLINDER VOLUME	7.0 cu ft (200 liters)
WASHER CYLINDER DIAMETER	21 5/8 in (550 mm)
DRYER CYLINDER DIAMETER	7.0 cu ft (200 liters)
WASHER CYLINDER DEPTH	18 1/4 in (464 mm)
DRYER CYLINDER DEPTH	22 in (559 mm)
WASH/DRY CAPACITY	22 lbs (10 kg)
AIRFLOW	170 cfm
GAS HEATING	18,000 BTU/hr
ELECTRIC HEATING	5.0 kW
GAS CONNECTION	3/8 in MNPT
WASH SPEED	45 RPM
TUMBLING SPEED	50 rpm
EXHAUST CONNECTION	4 in diameter
APPROX. NET WEIGHT	Dryer - 158 lbs (71.7 kg) Washer - 299 lbs (136 kg)

8-POINT SUSPENSION



The robust 8-point suspension features advanced technology to keep loads in balance, eliminate oversuds, and finish the cycle. Premium counterweights are constructed of solid steel providing additional strength and enhancing the longevity of the machine.

HEAVY DUTY SKF BEARINGS



Two commercial grade SKF bearings are sealed for maximum protection. Three individual seals with 5 lips provide a water-tight barrier around the drive shaft to protect the bearings from damaging moisture.

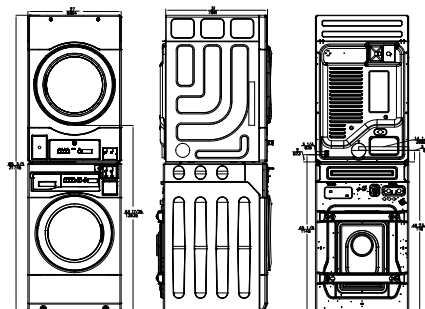
TIME-OF-DAY PROMO PRICING



Crossover 2.0 washers are easily programmable with promotional vend pricing at specified times and days. Multiple promotion events can be programmed at one time using the built-in real time clock.

CROSSOVER 2.0 Washer & Dryer Specs at a Glance

DRY CAPACITY	22 lb / 10 kg
CYLINDER VOLUME	7.0 cu ft / 200 liters
A. OVERALL HEIGHT	85 in (2235 mm)
B. HEIGHT TO CENTER OF DOOR	N/A
C. HEIGHT TO BOTTOM OF DOOR	N/A
D. OVERALL WIDTH	27 in (686 mm)
E. OVERALL DEPTH	29 in (737 mm)
F. DEPTH W/ DOOR OPEN 90°	N/A



Refer installation and servicing to qualified, licensed personnel. Always read Installation and Operating Manuals and consult local codes before installation. Protect machines with properly rated circuit breakers ONLY. Warranty void if not properly installed.

Preliminary specifications: Specifications subject to change without notice. Laundrylux assumes no responsibility for errors or omissions in this information.

Money boxes and coin meter sold separately.