



# REVOLUTION™ DUAL FUEL



**FLARE FREE  
TECHNOLOGY™**

## ASSEMBLY MANUAL

RV- 601BBQ (G53761) Propane

**LIMITED 5-YEAR WARRANTY**

Read and save manual for future reference.

Assemble your grill immediately. Missing or damaged parts should be claimed within 30 days of purchase.

For product inquiries, parts, warranty and troubleshooting support, please call 1-800-249-2506.



ANSI Z21.58-2015 / CSA 1.6-2015  
Outdoor Cooking Gas Appliances



ANSI Z21.58-2015 / CSA 1.6-2015  
Outdoor Cooking Gas Appliances

Master No. 211648



# IMPORTANT SAFETY WARNINGS



## THIS MANUAL MUST REMAIN WITH THIS PRODUCT AT ALL TIMES



### CAUTION

Read and follow all safety statements, assembly instructions, use and care directions before attempting to assemble and cook.

### INSTALLER OR ASSEMBLER/ CONSUMER

Read and follow all safety statements, assembly instructions, use and care directions before attempting to assemble and cook.

### WARNING

Failure to follow all of the Manufacturer's instructions could result in hazardous fires, explosions, property damage, or serious personal injury or even death.

Follow all leak check procedures carefully prior to operation of grill, even if grill was dealer assembled. Do not try to light this grill without reading the Lighting Instructions section of the Safe Use and Care manual.

### DANGER

1. If you smell gas:
  - a. Shut off gas to the appliance.
  - b. Extinguish any open flame.
  - c. Open lid.
  - d. If odor continues, keep away from the appliance and immediately call your gas supplier or your fire department.
2. Do not store or use gasoline or other flammable liquids or vapors in the vicinity of this or any other appliance.
3. LP gas cylinder not connected for use shall not be stored in the vicinity of this or any other appliance.

### CAUTION

IN DIRECT SUN, AND IN OPERATION, YOUR GRILL'S STAINLESS STEEL AND PAINTED STEEL PARTS CAN BECOME VERY HOT.



**THIS GRILL IS FOR OUTDOOR USE ONLY**



**CONTACT CUSTOMER CARE IF ANY PARTS ARE MISSING.**

**1-800-249-2506**



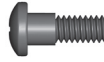
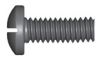



















# HARDWARE PACK

## TOOLS NEEDED FOR ASSEMBLY

- #2 Phillips screwdriver (long and short)
- 1/4" Slotted screwdriver (long and short)
- Adjustable wrench
- Pliers

No.	Description	Part Number	Qty.
1	1/4"-20UNCx38 Screw	20120-13038-250	6
2	1/4"-20UNCx16 Screw	20120-13016-250	46
3	1/4"-20UNC Screw	G353-0014-9000	4
4	NO.10-24UNCX16 Screw	20124-10016-250	8
5	NO.10-24UNCX13 Screw	20124-10013-250	26
6	NO.10-24UNCX10 Screw	20124-10010-250	2
7	NO.8-32UNCX18 Screw	20132-08018-250	2
8	NO.8-32UNCX10 Screw	20332-08010-250	3
9	ST4.2X10 Tapping Screw	22500-42010-137B	11
10	ST4.2X6 Tapping Screw	22500-42006-137	1
11	Screw, Ash Catcher Access Door	G537-0015-9000	2
12	Screw, Charcoal Lid Vent and Ash Sweep	G531-0048-9081	2
13	1/4"-20UNC Nut	30220-13000-250	2
14	NO.8-32UNC Nut	30232-08000-250	2
15	Rubberized Washer	G501-0054-9100	9
16	Aluminum Washer	G466-0042-9000	18
17	φ5 Lock Washer	41400-05000-250	10
18	Control Knob	G532-3600-9000	1
19	Compression Spring	G528-0058-9000	2
20	AA BATTERY	G610-0028-9100	1
21	Hitch Pin	G515-0013-9000	2
22	Wheel Lock Pin	G350-0026-9000	1
23	Ash Sweep Handle	G531-0047-01	1

**Caution:**  
Sheet metal can cause injury. Wear gloves when installing the grill.

<p><b>1</b></p>  <p>1/4"-20UNCx38 Screw <b>X 6</b></p>	<p><b>2</b></p>  <p>1/4"-20UNCx16 Screw <b>X 46</b></p>	<p><b>3</b></p>  <p>1/4"-20UNC Screw <b>X 4</b></p>
<p><b>4</b></p>  <p>NO.10-24UNCX16 Screw <b>X 8</b></p>	<p><b>5</b></p>  <p>NO.10-24UNCX13 Screw <b>X 26</b></p>	<p><b>6</b></p>  <p>NO.10-24UNCX10 Screw <b>X 2</b></p>
<p><b>7</b></p>  <p>NO.8-32UNCX18 Screw <b>X 2</b></p>	<p><b>8</b></p>  <p>NO.8-32UNCX10 Screw <b>X 3</b></p>	<p><b>9</b></p>  <p>ST4.2X10 Tapping Screw <b>X 11</b></p>
<p><b>10</b></p>  <p>ST4.2X6 Tapping Screw <b>X 1</b></p>	<p><b>11</b></p>  <p>Screw, Ash Catcher Access Door <b>X 2</b></p>	<p><b>12</b></p>  <p>Screw, Charcoal Lid Vent and Ash Sweep <b>X 2</b></p>
<p><b>13</b></p>  <p>1/4"-20UNC Nut <b>X 2</b></p>	<p><b>14</b></p>  <p>NO.8-32UNC Nut <b>X 2</b></p>	<p><b>15</b></p>  <p>Rubberized Washer <b>X 9</b></p>
<p><b>16</b></p>  <p>Aluminum Washer <b>X 18</b></p>	<p><b>17</b></p>  <p>φ5 Lock Washer <b>X 10</b></p>	<p><b>18</b></p>  <p>Control Knob <b>X 1</b></p>
<p><b>19</b></p>  <p>Compression Spring <b>X 2</b></p>	<p><b>20</b></p>  <p>AA Battery <b>X 1</b></p>	<p><b>21</b></p>  <p>Hitch Pin <b>X 2</b></p>
<p><b>22</b></p>  <p>Wheel Lock Pin <b>X 1</b></p>	<p><b>23</b></p>  <p>Ash Sweep Handle <b>X 1</b></p>	

## BEFORE ASSEMBLING THIS GRILL, READ THE INSTRUCTIONS CAREFULLY.

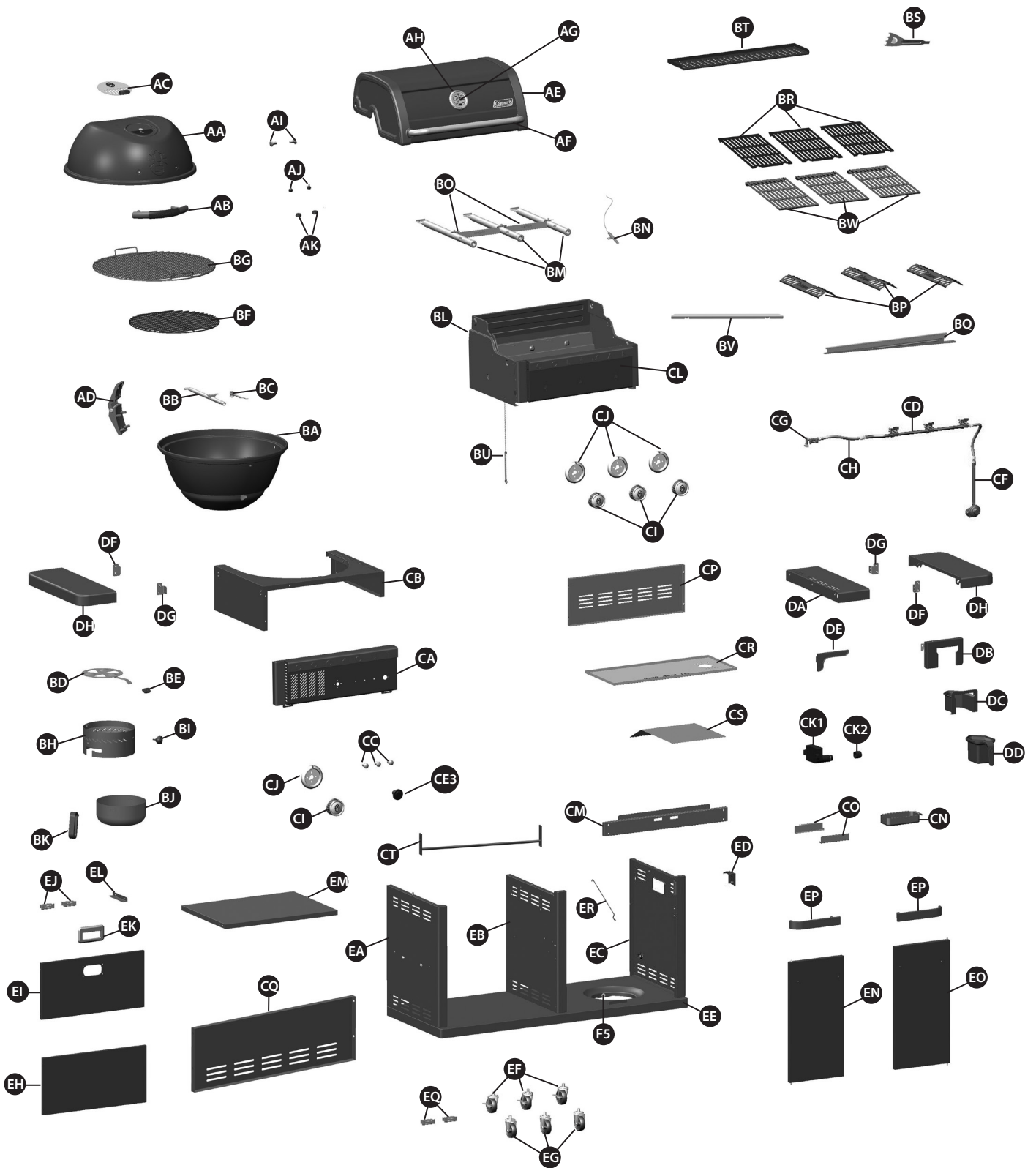
Assemble the grill on a flat, clean surface. Grill is heavy. Two people are recommended to assemble this grill.

# PARTS LIST (PROPANE) FOR RV- 601BBQ (G53761)

Item No.	Qty.	Description	Part No.	Item No.	Qty.	Description	Part No.
AA	1	Charcoal Lid	G537-6000-01	CN	1	Grease Cup, Burner Box	G416-0015-01
AB	1	Charcoal Lid Handle	G537-6100-01	CO	2	Grease Cup Rails	G466-0034-01
AC	1	Charcoal Lid Vent	G537-0029-01	CP	1	Upper Back Panel	G532-0067-01
AD	1	Charcoal Lid Hinge	G537-6200-01	CQ	1	Lower Back Panel	G532-0066-01
AE	1	Gas Lid Assembly	G532-2000-02	CR	1	Heat Shield, Burner Box	G532-0023-01
AF	1	Gas Lid Handle	G532-0004-01	CS	1	Heat Shield, Tank	G537-0013-01
AG	1	Thermometer	G532-0007-01	CT	1	Back Brace, Charcoal Side	G537-1300-01
AH	1	Thermometer Bezel	G532-0006-01				
AI	2	Screw for Top Lid	G466-0007-01	DA	1	Right Side Shelf Table Base	G537-0900-01
AJ	2	Lid Bumper, Front	G527-0002-02	DB	1	Right Side Shelf Fascia	G537-5800-01
AK	2	Lid Bumper, Rear	G303-0038-01	DC	1	Grease Cup Holder, Flare-Free	G532-0031-02
				DD	1	Grease Cup, Flare-Free	G532-0031-02
BA	1	Fire Bowl	G537-0010-01	DE	1	Right Side Shelf Table Rear Brace	G537-1100-01
BB	1	Charcoal Lighting Burner	G537-0800-01	DF	2	Support Bracket A	G363-1300-01
BC	1	Electrode Set, Charcoal Lighting Burner	G458-9201-01	DG	2	Support Bracket B	G363-1400-01
BD	1	Ash Sweep	C305-0006-02	DH	2	Side Shelf Table	G537-1200-01
BE	1	Ash Sweep Handle (#23)	G531-0047-01				
BF	1	Charcoal Grate	G537-0012-01	EA	1	Left Cart Side Panel	G537-4300-01
BG	1	Cooking Grate, Charcoal Side	C305-0300-01	EB	1	Middle Cart Panel	G537-4100-01
BH	1	Fire Bowl Vent	C305-0400-02	EC	1	Right Cart Side Panel	G532-1100-01
BI	1	Fire Bowl Vent Handle	C305-0009-01	ED	1	Support Bracket, Regulator	G466-00C3-01
BJ	1	Ash Catcher	C305-0010-01	EE	1	Bottom Shelf	G537-4000-01
BK	1	Ash Catcher Handle	C305-0011-01	EF	3	Locking Castor	G350-0023-01
BL	1	Burner Box Assembly	G532-3100-01	EG	3	Castor	G350-0024-01
BM	3	Main Burner	G532-3500-01	EH	1	Lower Front Panel	G537-0004-01
BN	1	Electrode Set, Main Burner	G515-0067-01	EI	1	Ash Catcher Access door	G537-4400-01
BO	2	Carryover Assembly	G354-0024-01	EJ	2	Magnet, Ash Catcher Access Door	G213-0022-01
BP	3	Heat Distribution Plate	G532-0016-01	EK	1	Handle, Ash Catcher Access Door	G353-0024-01
BQ	1	Grease Channel	G532-0015-01	EL	1	Stopper, Ash Catcher Access Door	G537-0003-01
BR	3	Upper Cooking Grate, Gas Side	G532-0081-01	EM	1	Interior Cart Divider	G537-0005-01
BS	1	Flare Free Cleaning Tool	G532-0083-01	EN	1	Left Door Assembly	G532-9100-01
BT	1	Warming Rack	G532-0018-01	EO	1	Right Door Assembly	G532-9200-01
BU	1	Match Holder	G501-0068-01	EP	2	Handle, Door Assembly	G532-0026-01
BV	1	Grease Channel Shield	G532-0063-01	EQ	2	Magnet, Door Assembly	G527-0037-01
BW	3	Lower Cooking Grate, Gas Side	G532-0080-01	ER	1	Tank Exclusion Wire	G532-0077-01
CA	1	Control Panel, Charcoal Side	G537-0030-01	F1	1	Hardware Pack	G537-B061-01
CB	1	Fire Bowl Mounting Shelf	G537-0600-01	F2	1	Assembly Manual	G537-M061-01
CC	3	Tool Hooks	G360-0016-01	F3	1	Safe Use and Care Manual	G363-M061-02
CD	1	Manifold Assembly	G537-3200-01	F4	1	Charcoal Cookout Cooking Guide	G537-M061-02
CE	1	Instastart™ Ignition Button	G532-0082-01	F5	1	Tank Screw	G505-0047-01
CF	1	Regulator	G312-1004-01				
CG	1	Charcoal Lighting Burner Valve	G537-0001-01				
CH	1	Metal Hose	G508-0024-01				
CI	4	Control Knob	G532-3600-01				
CJ	4	Control Knob Bezel	G363-0026-01				
CK1	1	Electronic Ignition Assembly	G532-0019-01				
CK2	1	Ignition Battery Cover	G532-0019-02				
CL	1	Control Panel, Gas Side	G532-0098-01				
CM	1	Front Brace	G532-9000-01				



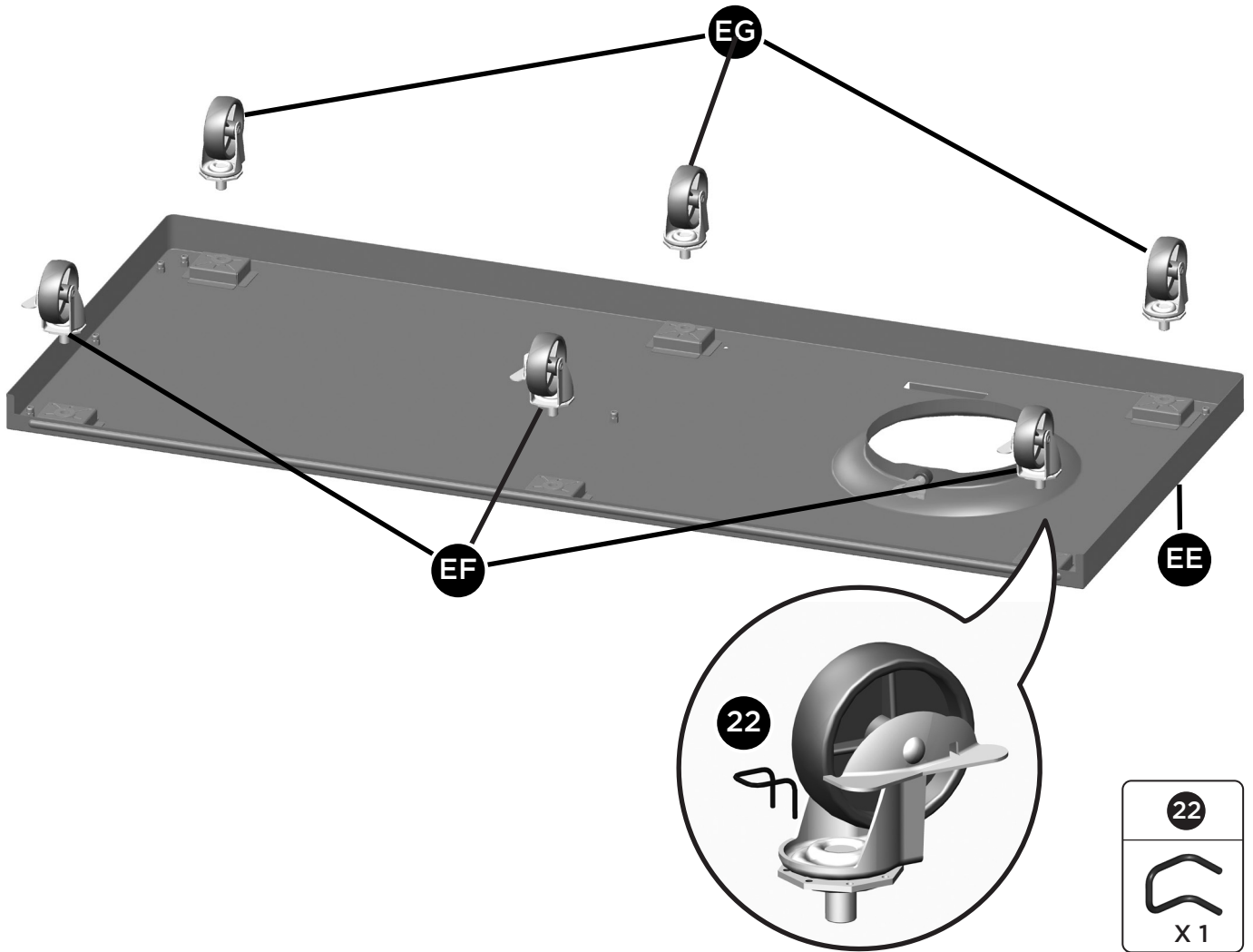
# EXPLODED DIAGRAM (PROPANE) FOR RV- 601BBQ (G53761)



Extras			
Hardware Pack <b>F1</b>	Assembly Manual <b>F2</b>	Safe Use & Care Manual <b>F3</b>	Charcoal Cookout Cooking Guide <b>F4</b>

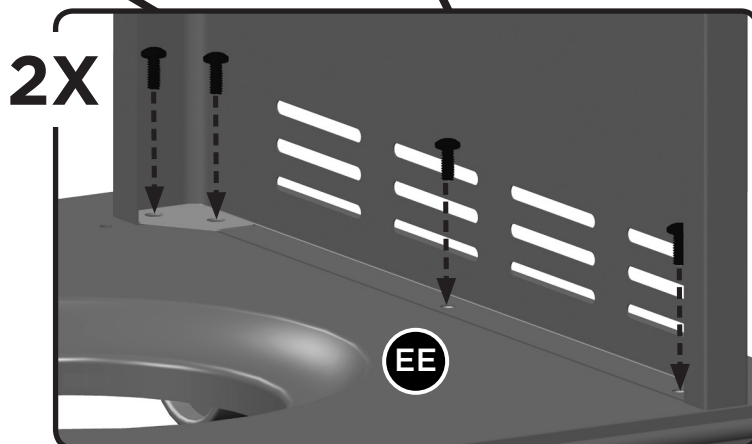
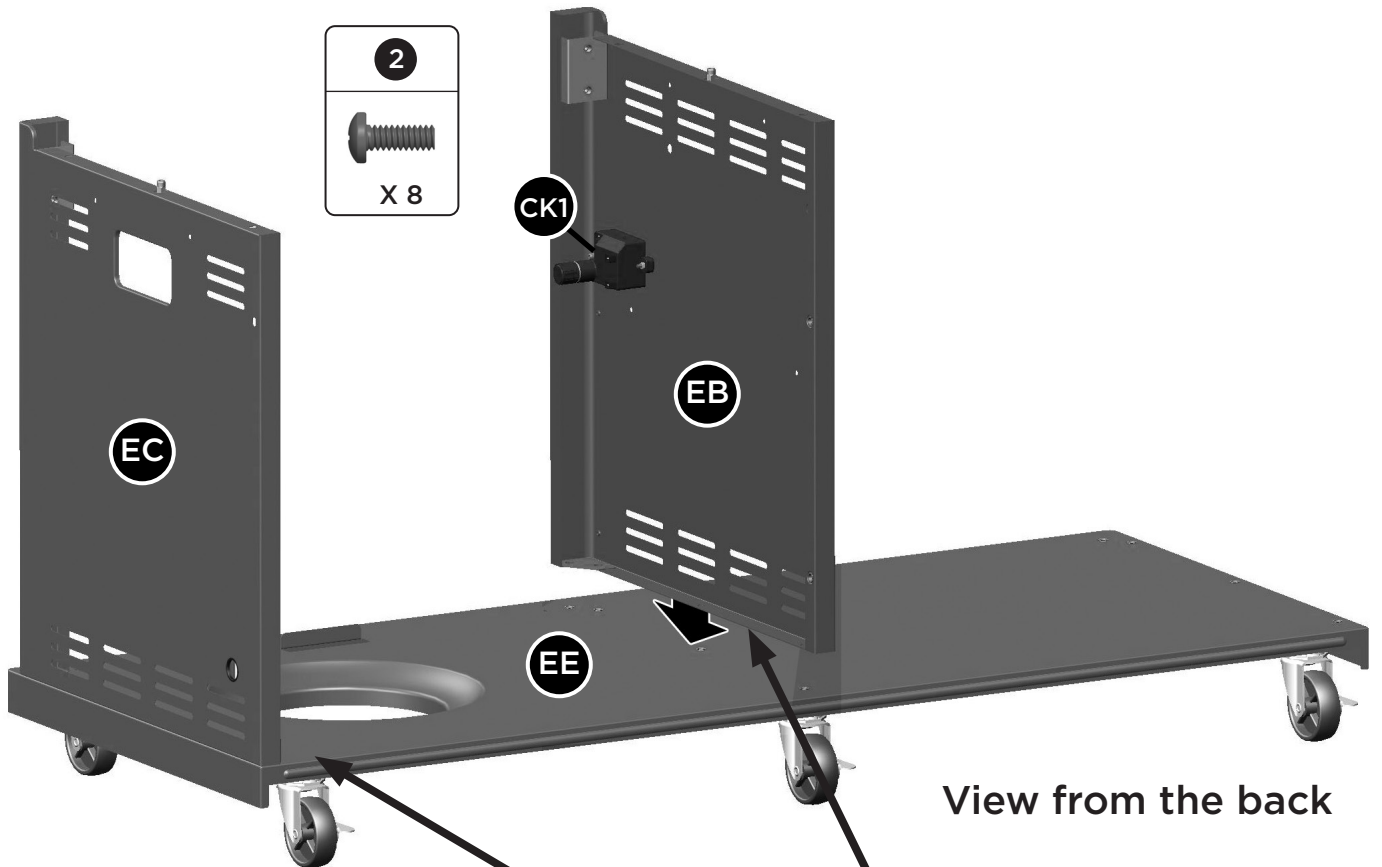
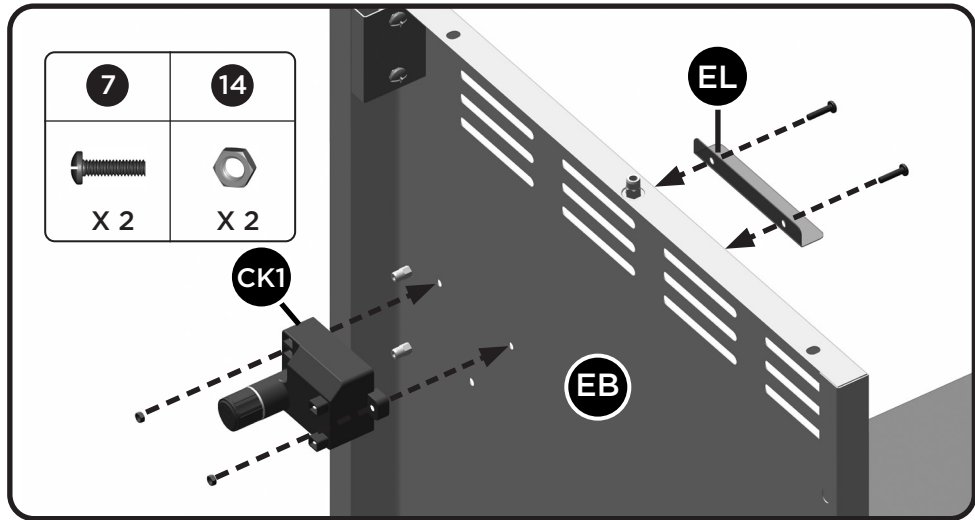
# ASSEMBLY INSTRUCTIONS

1



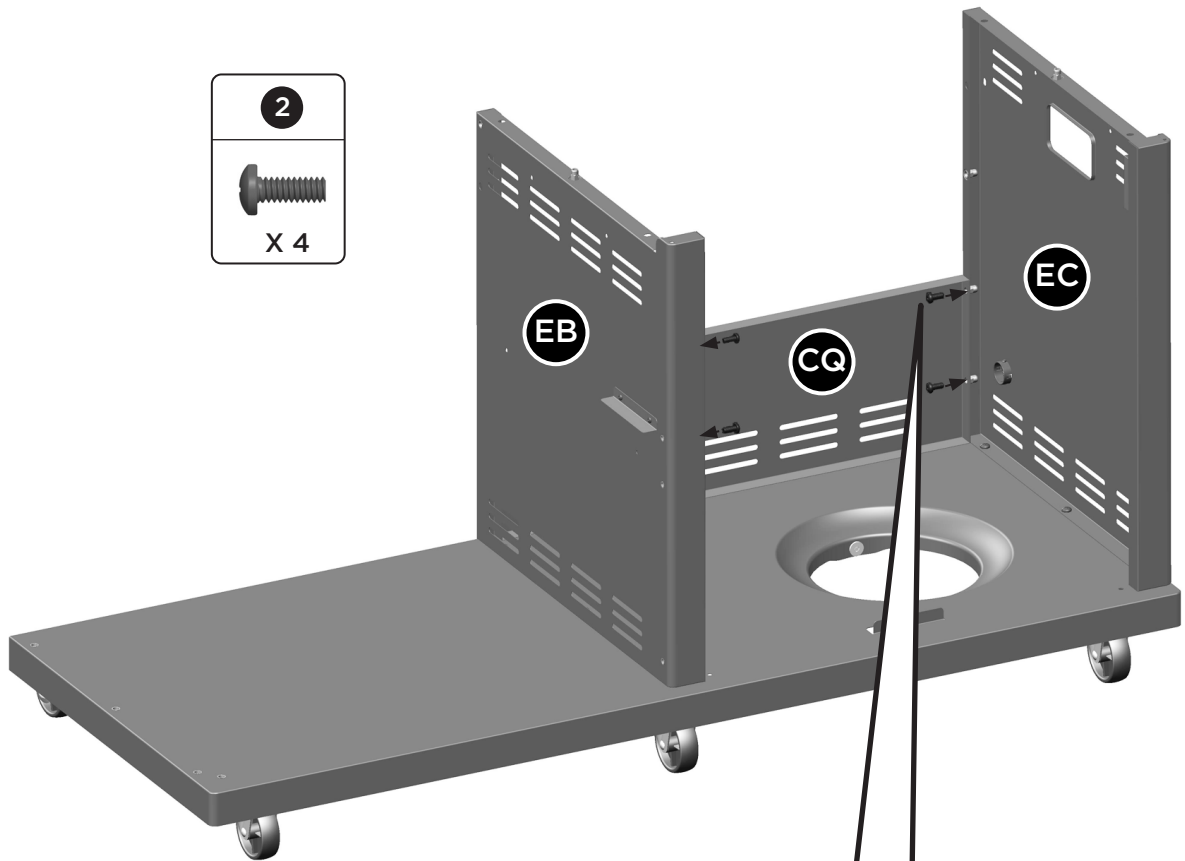
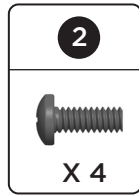
# ASSEMBLY INSTRUCTIONS

2

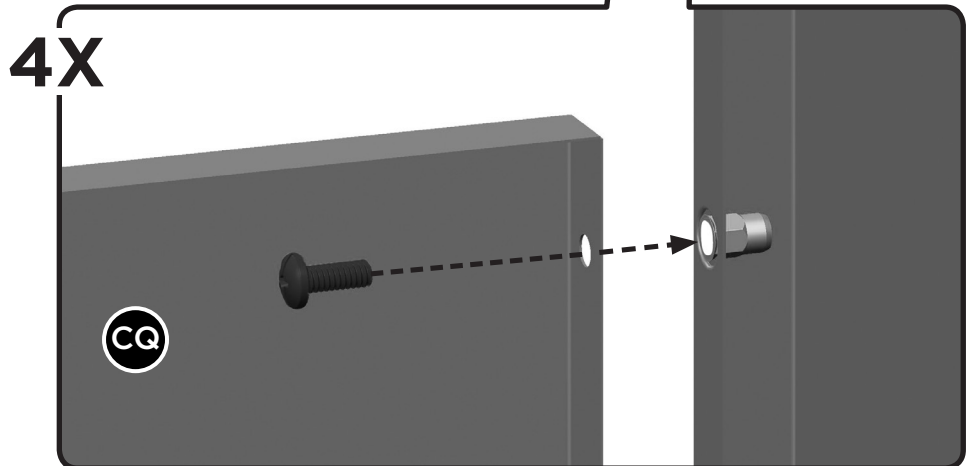


3

A.

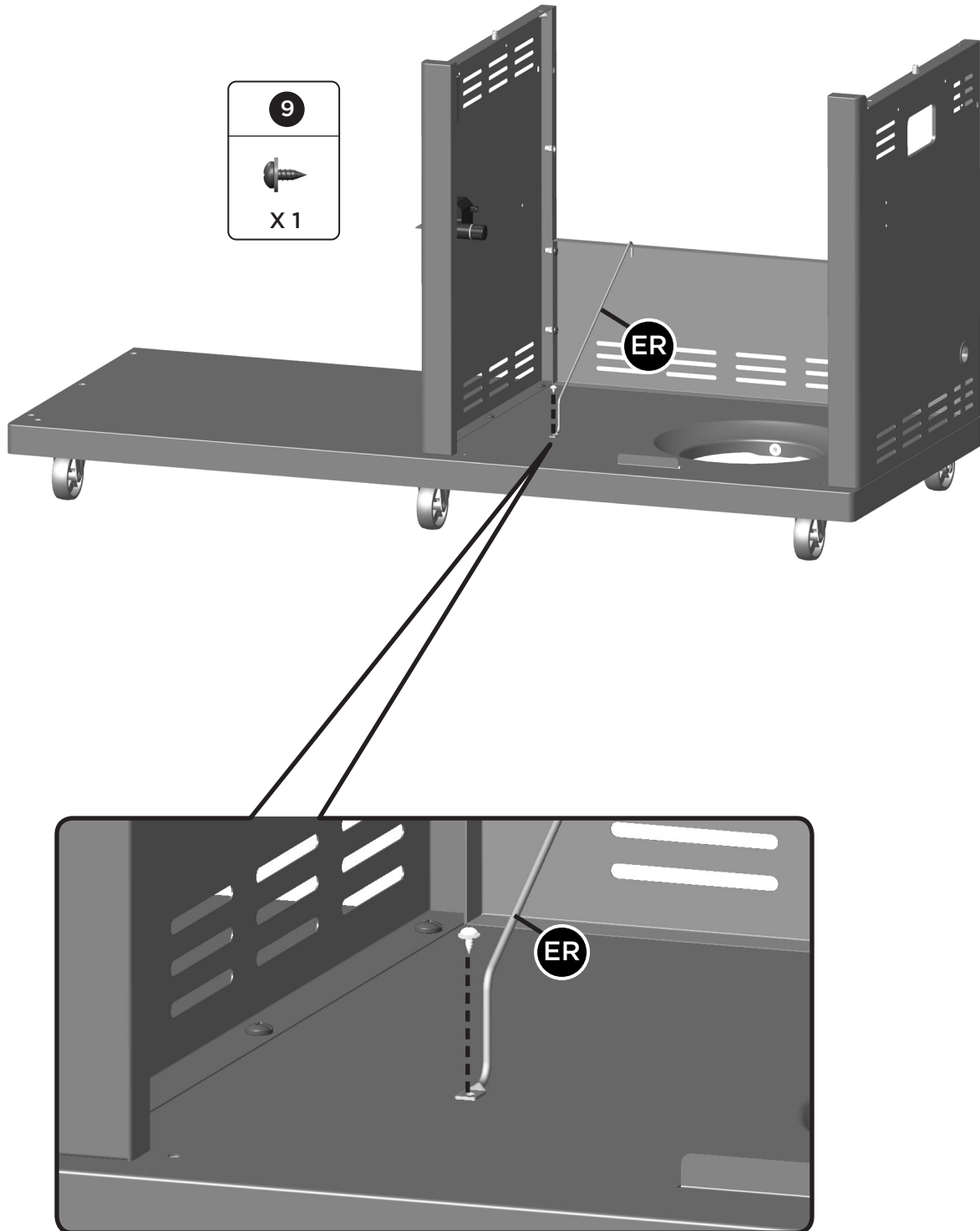


View from the front



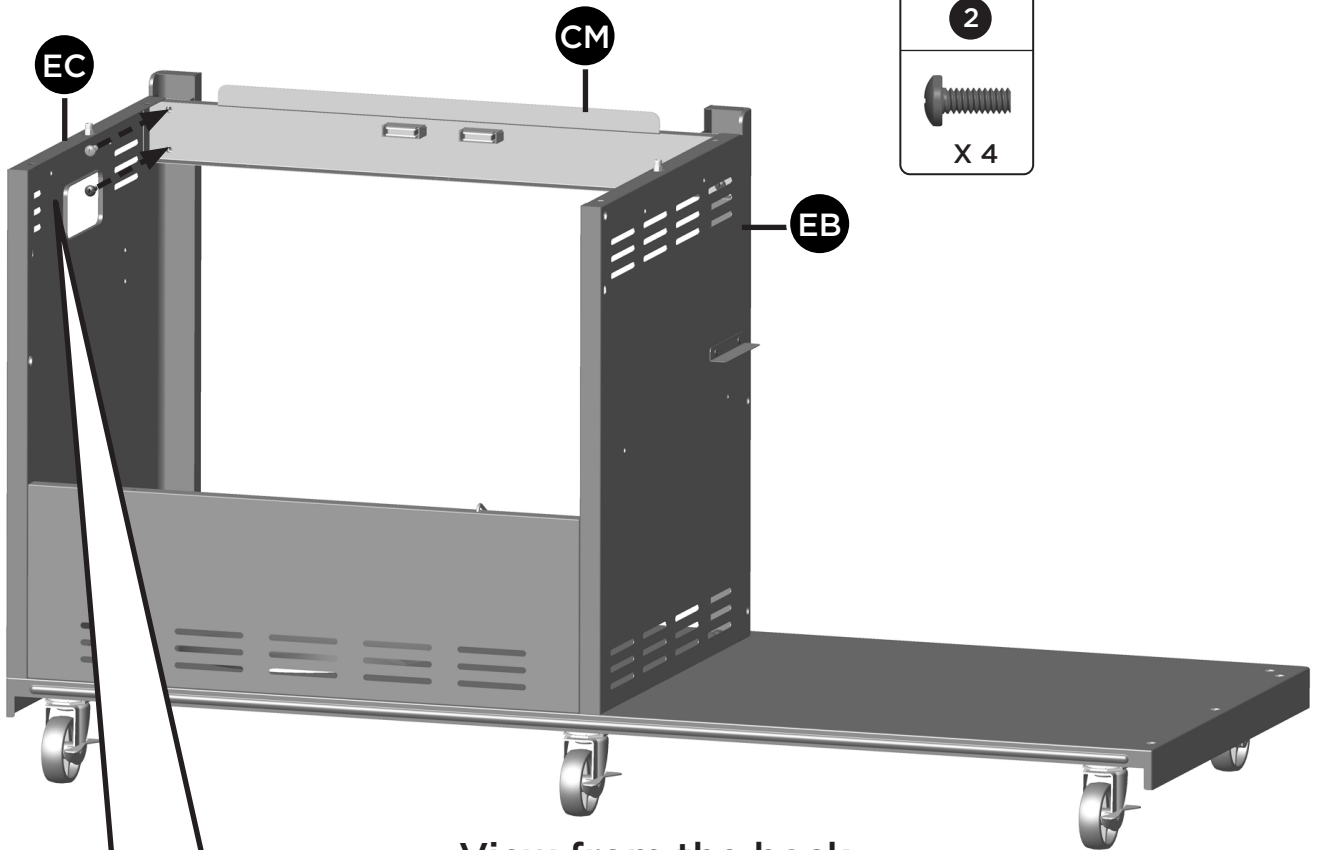
3

B.



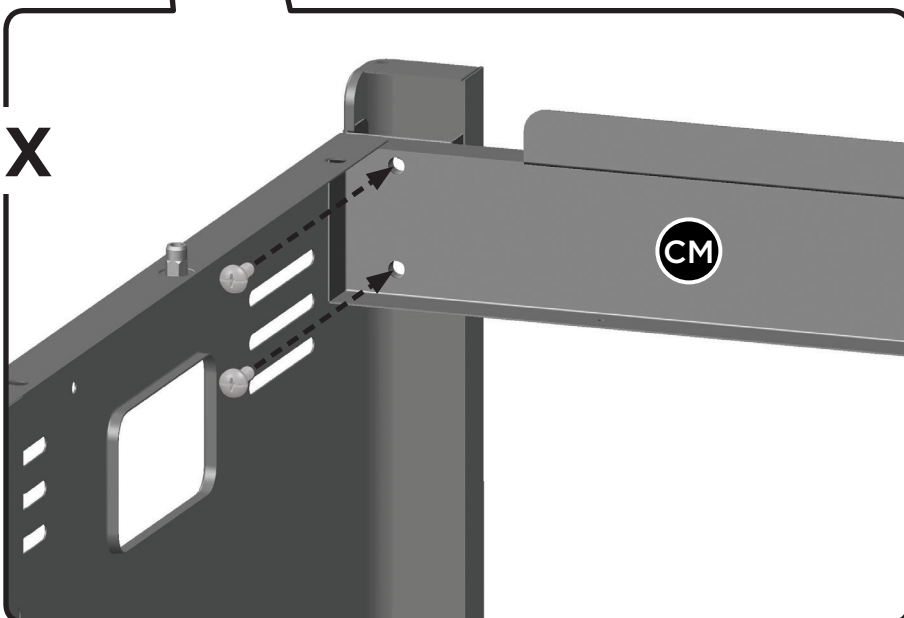
# ASSEMBLY INSTRUCTIONS

4



View from the back

2X

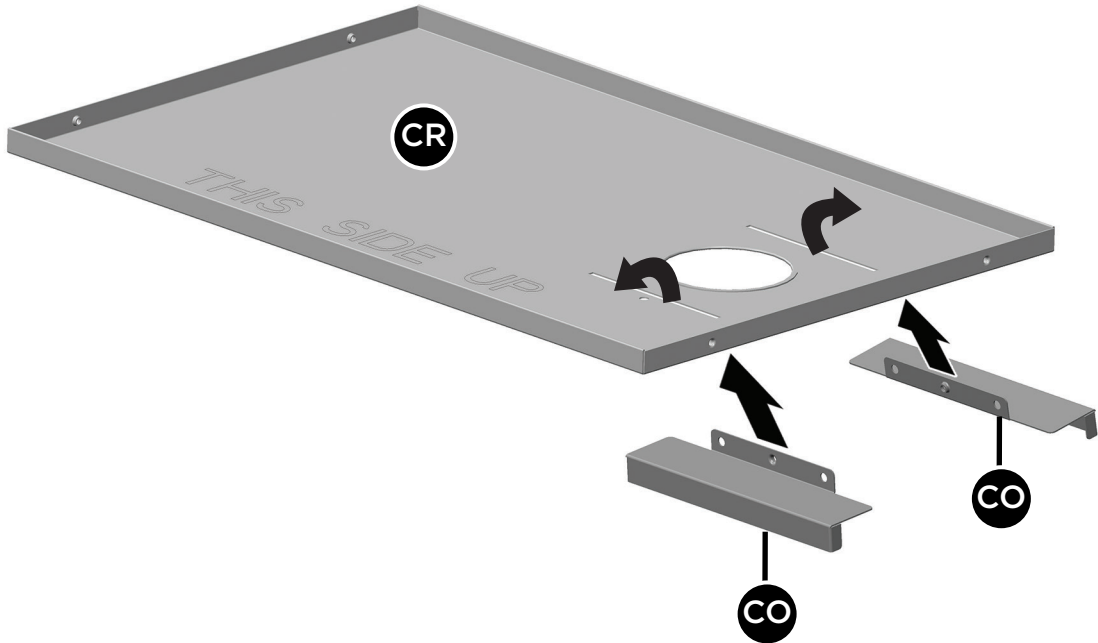




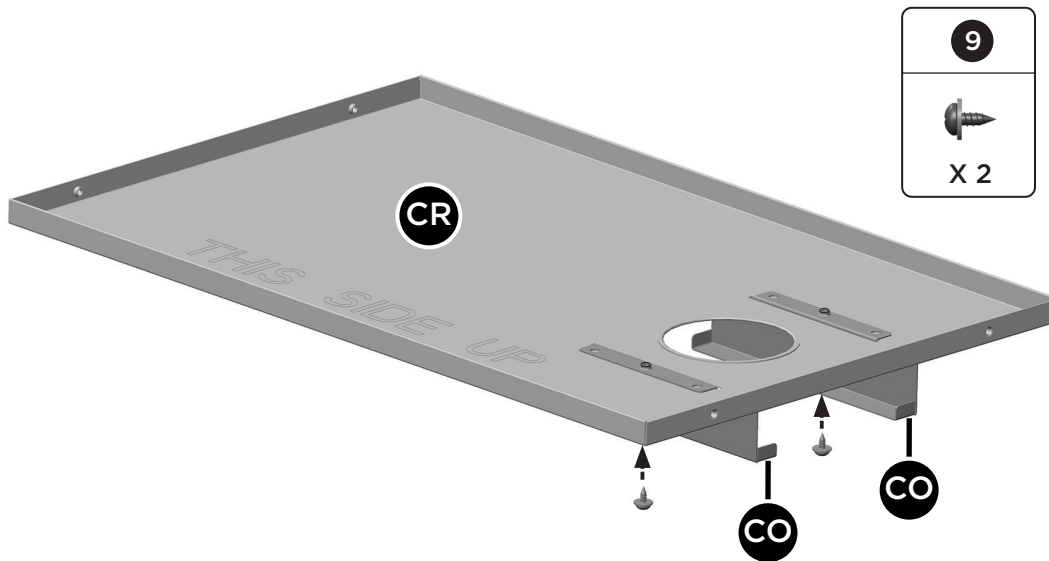
# ASSEMBLY INSTRUCTIONS

**5**

**A.**



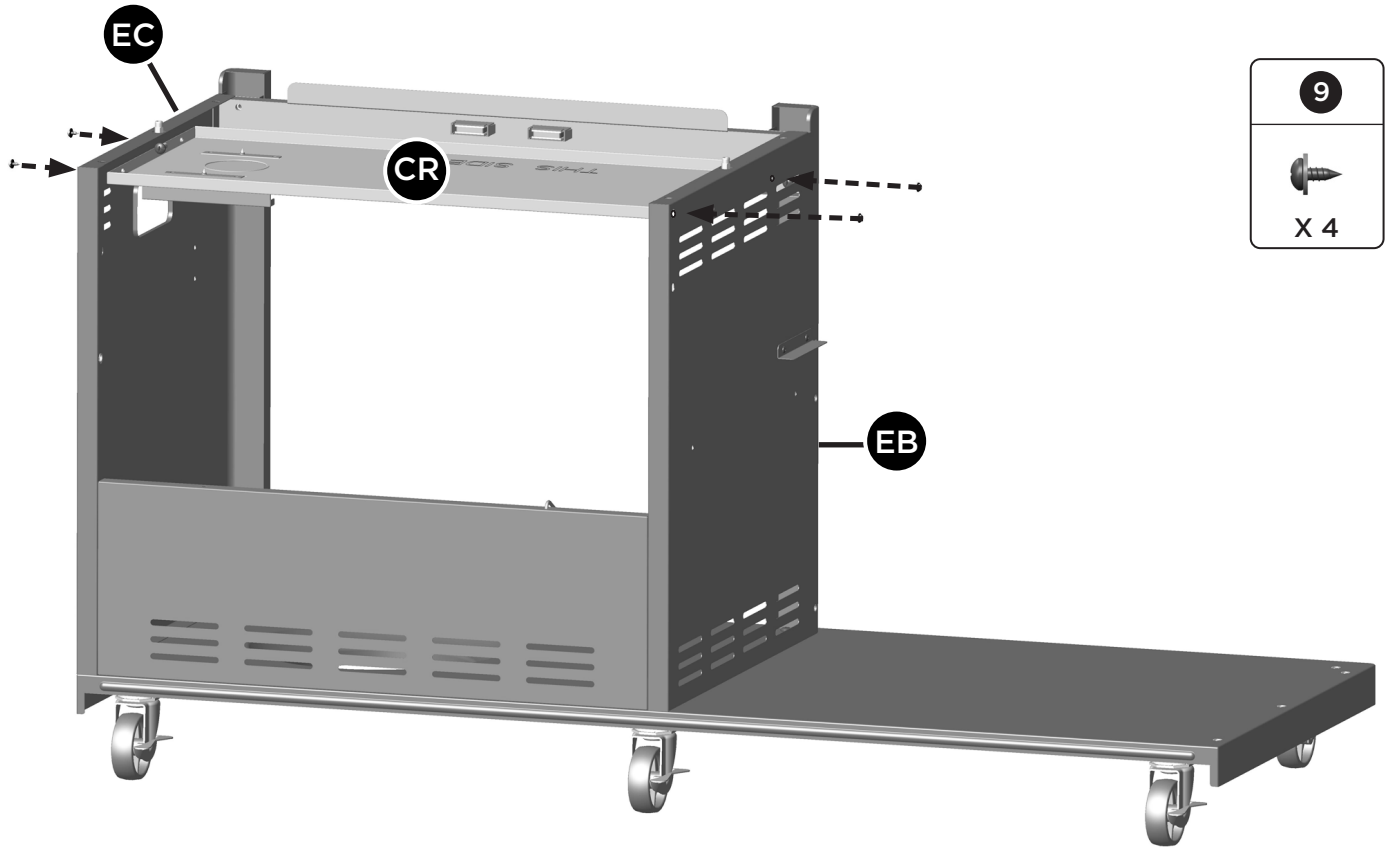
**B.**



5



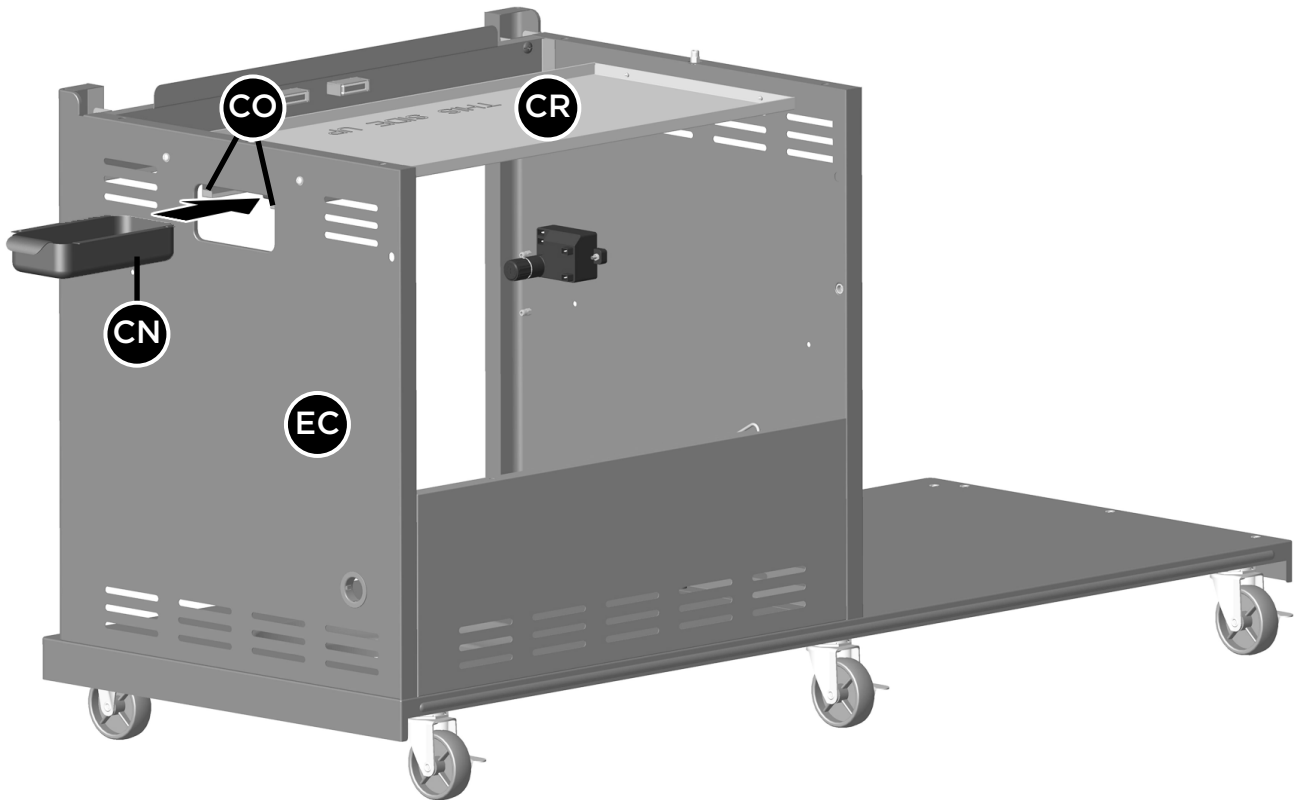
C.



View from the back

5

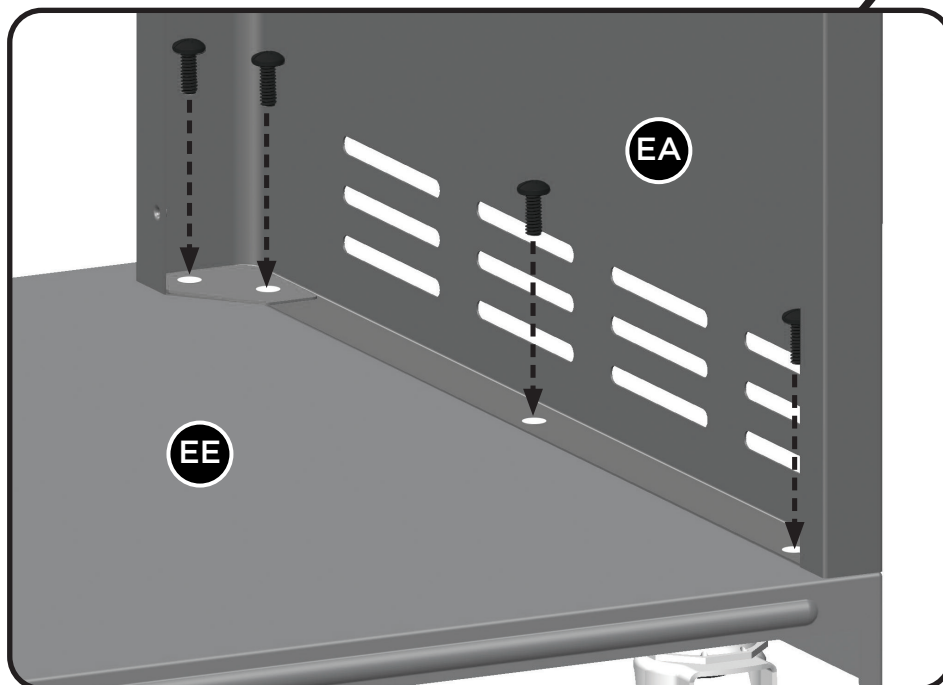
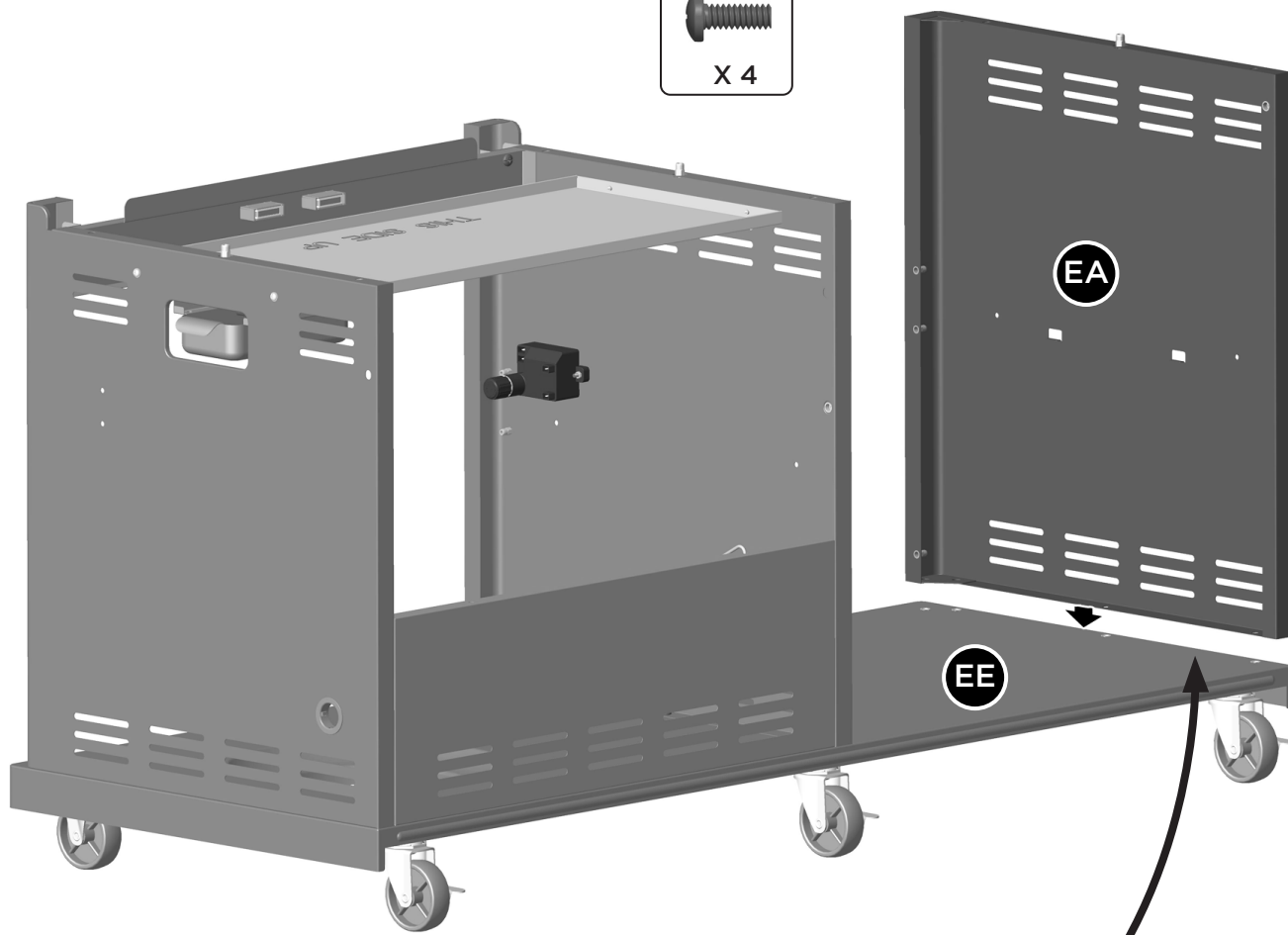
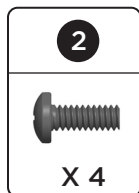
D.



View from the back

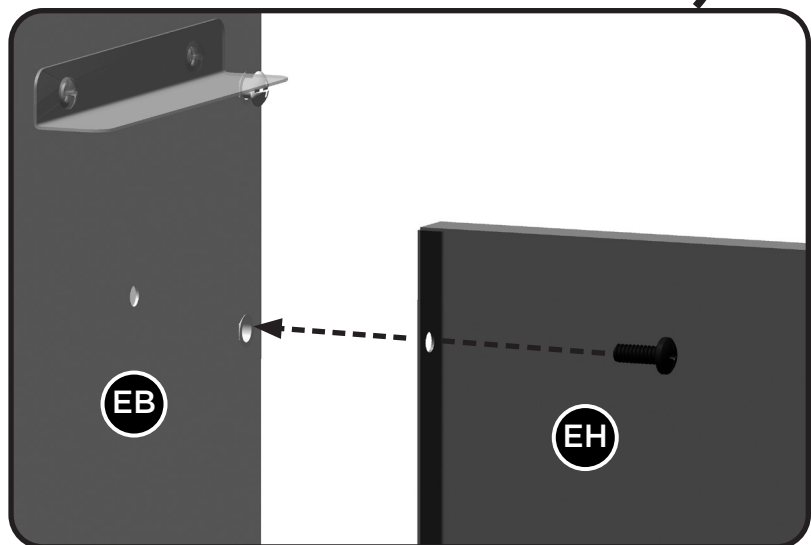
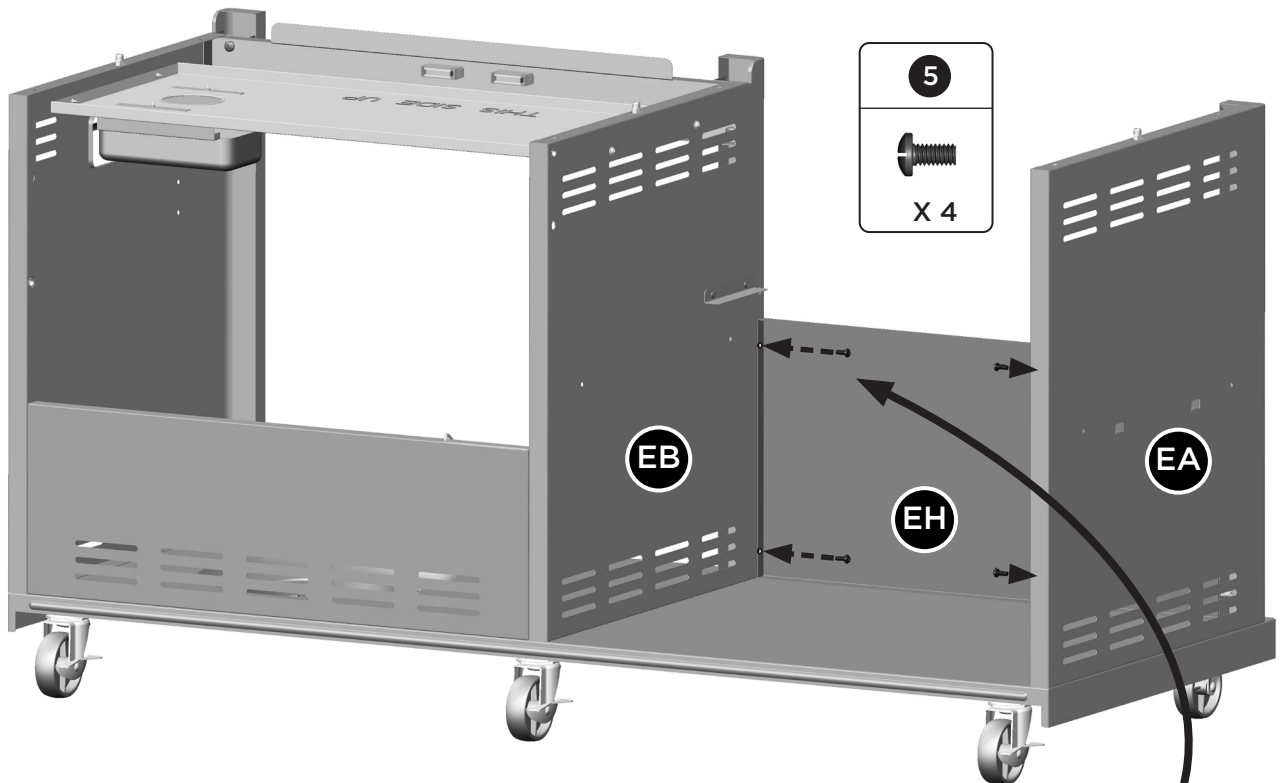
6

View from the back



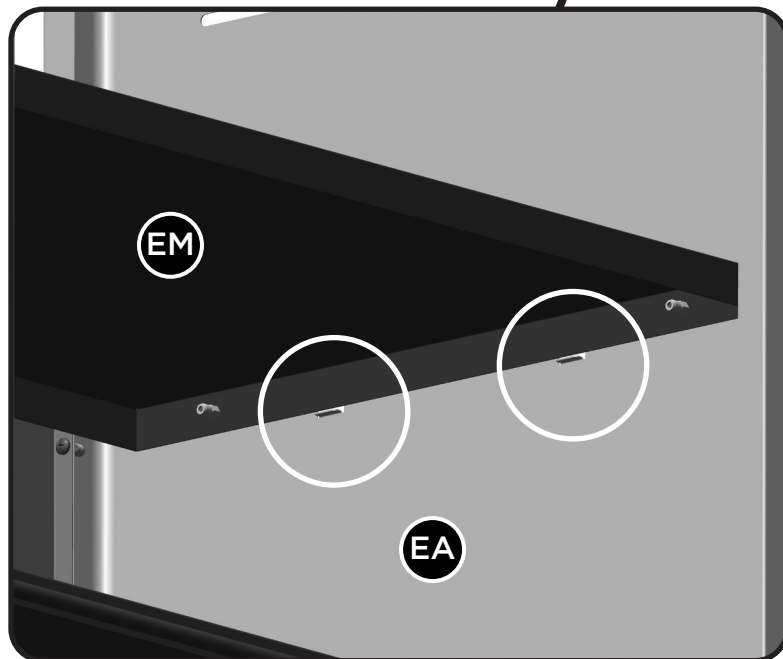
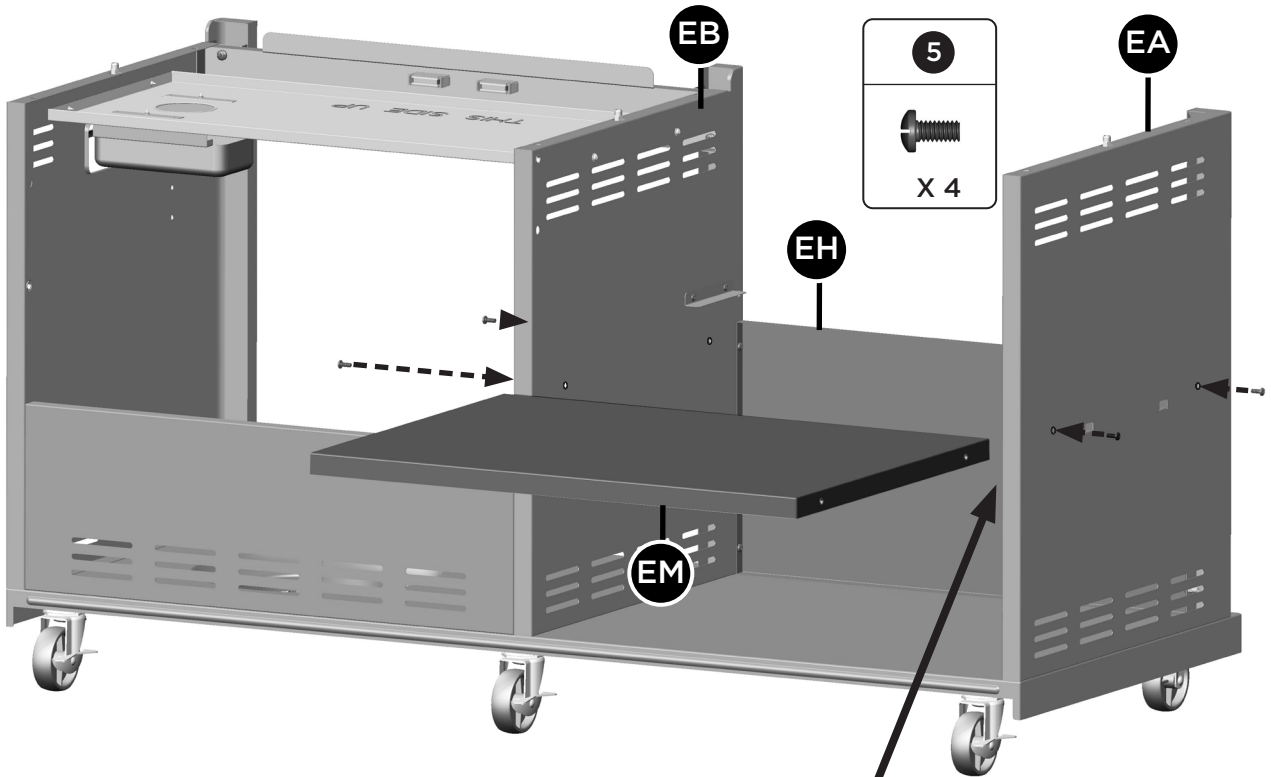
7

View from the back



8

View from the back



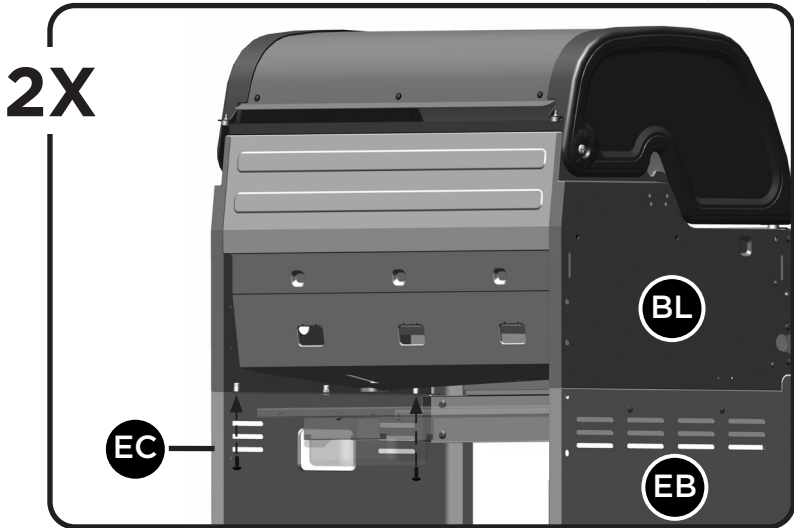
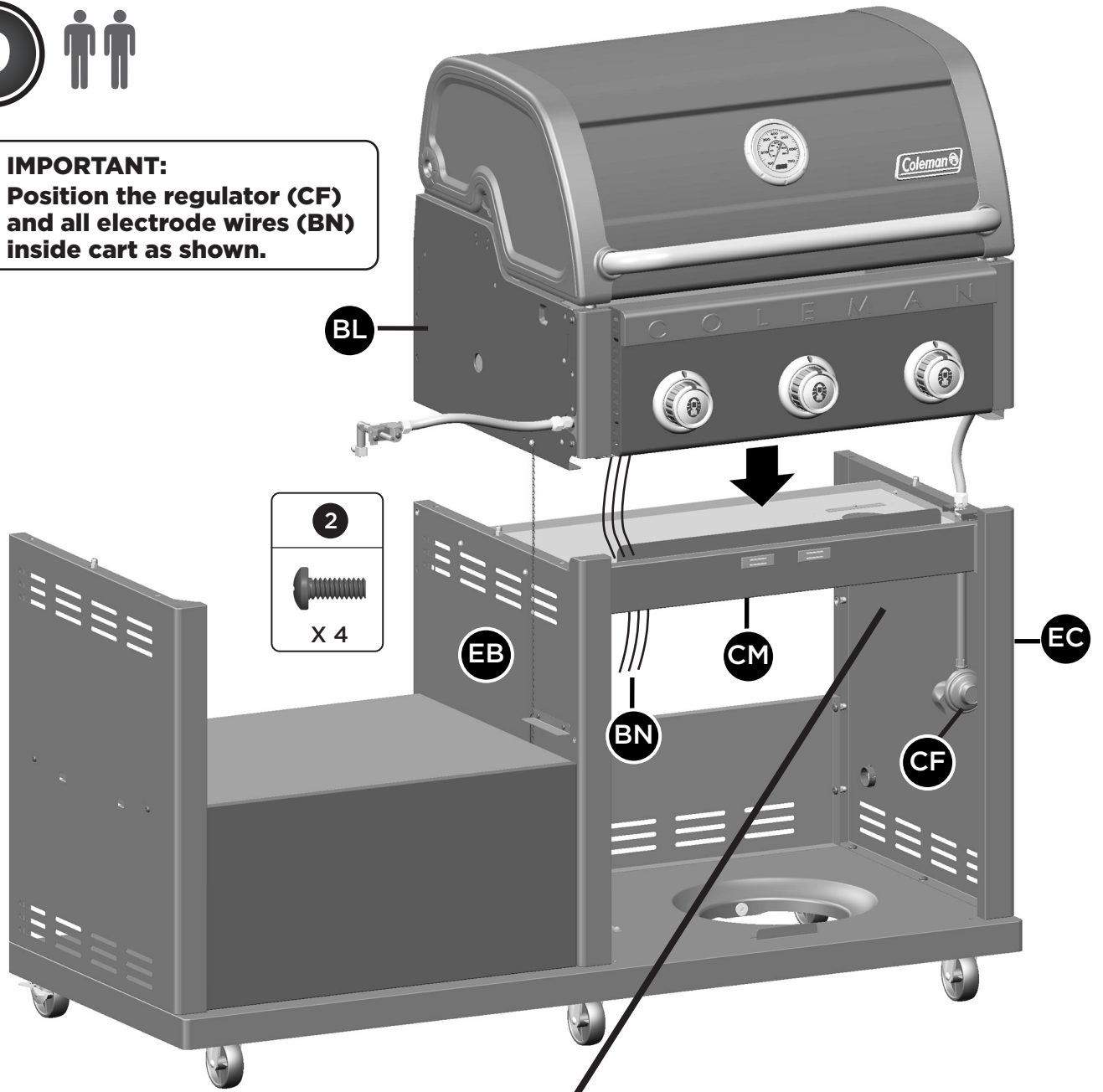
View from underneath the interior cart divider (EM)



# ASSEMBLY INSTRUCTIONS

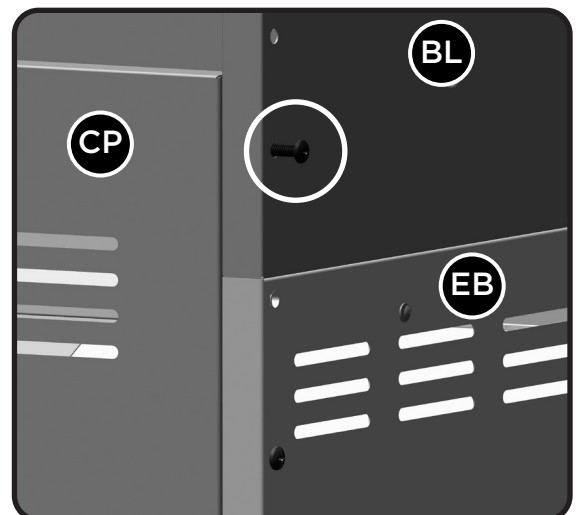
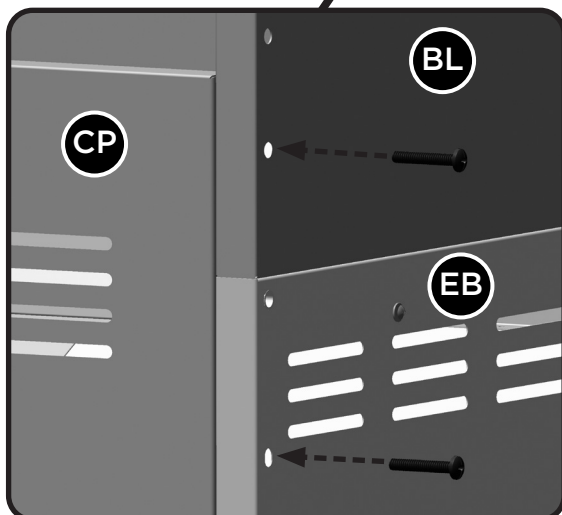
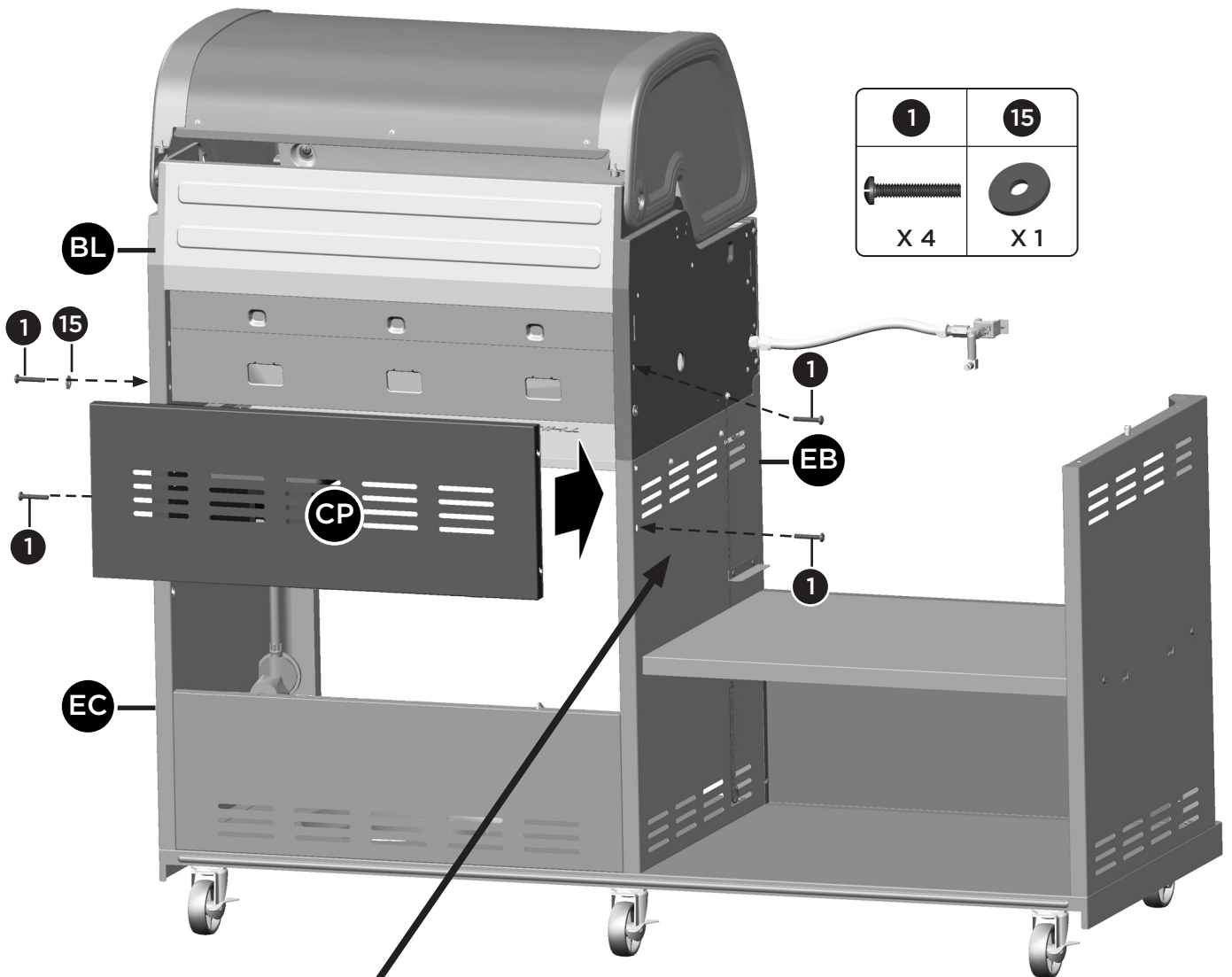


**▲ IMPORTANT:**  
Position the regulator (CF)  
and all electrode wires (BN)  
inside cart as shown.



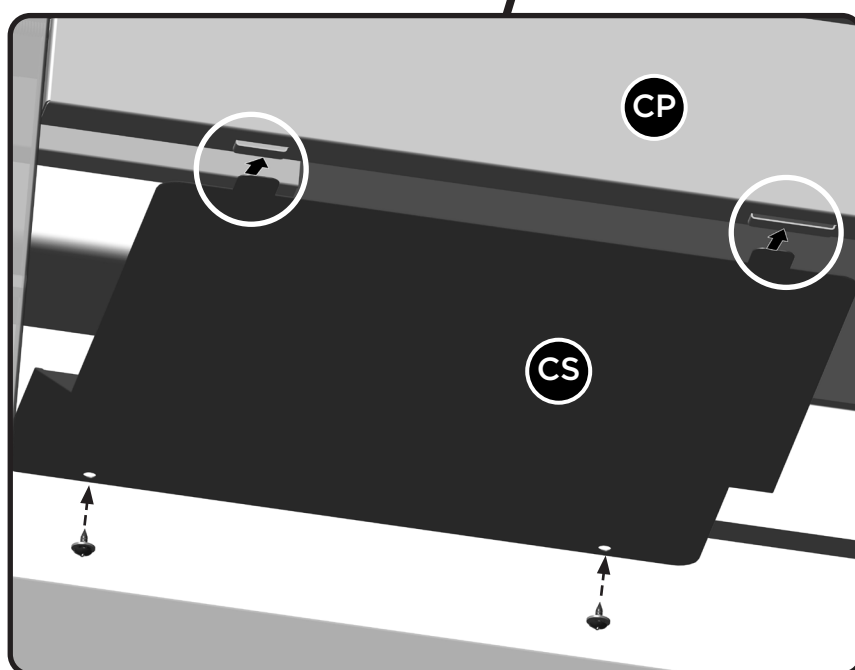
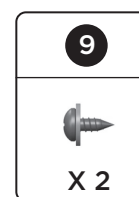
View from the back

10



Anchor screw: Only tighten screw halfway, as shown.




11

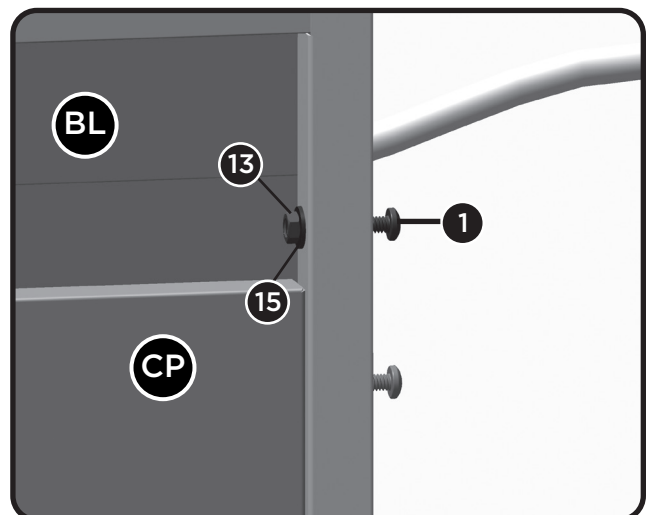
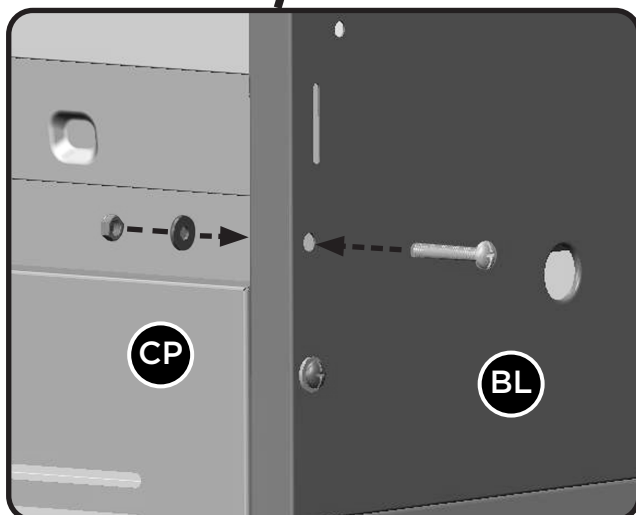
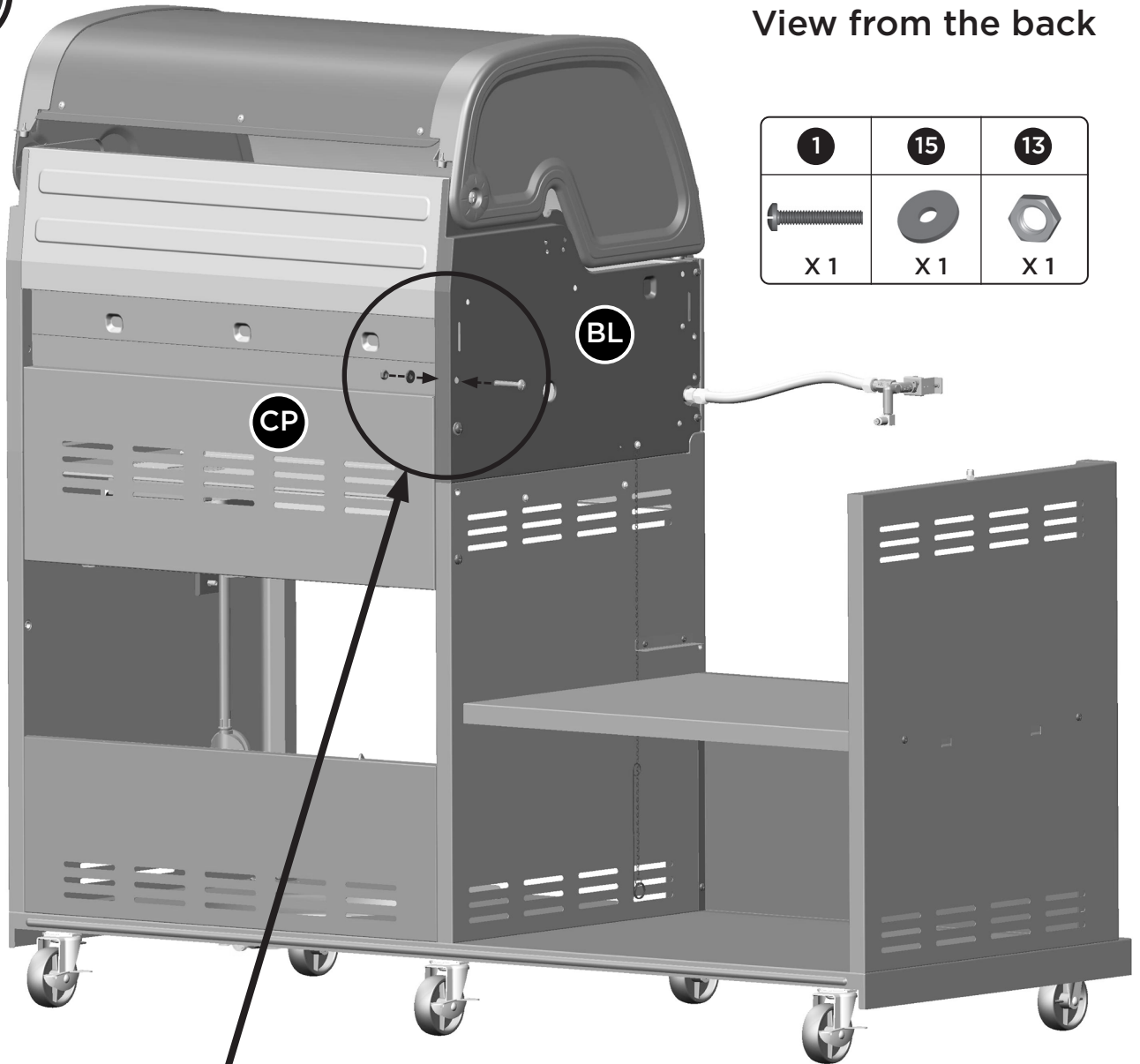


12

A.

View from the back

1	15	13
		
X 1	X 1	X 1

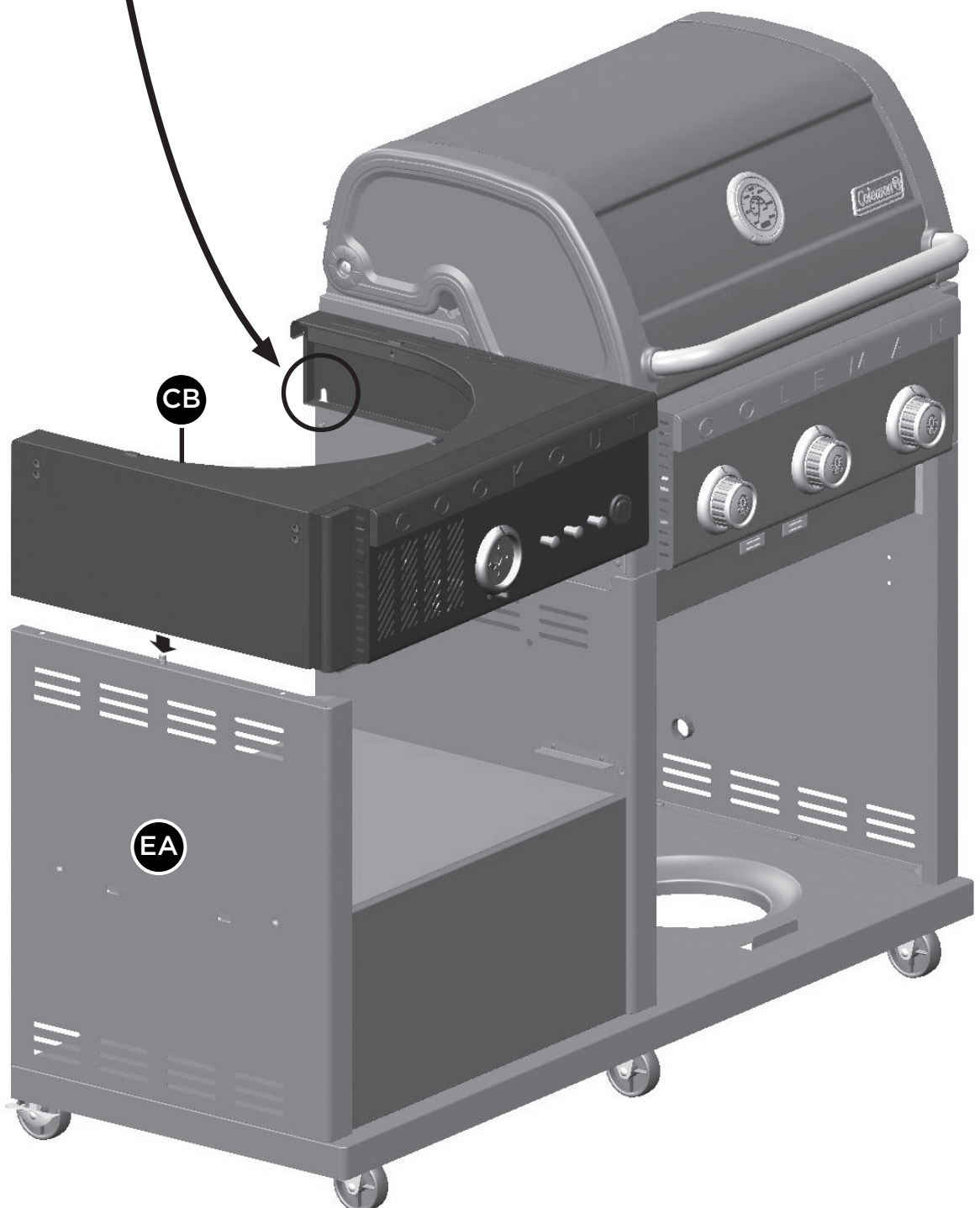
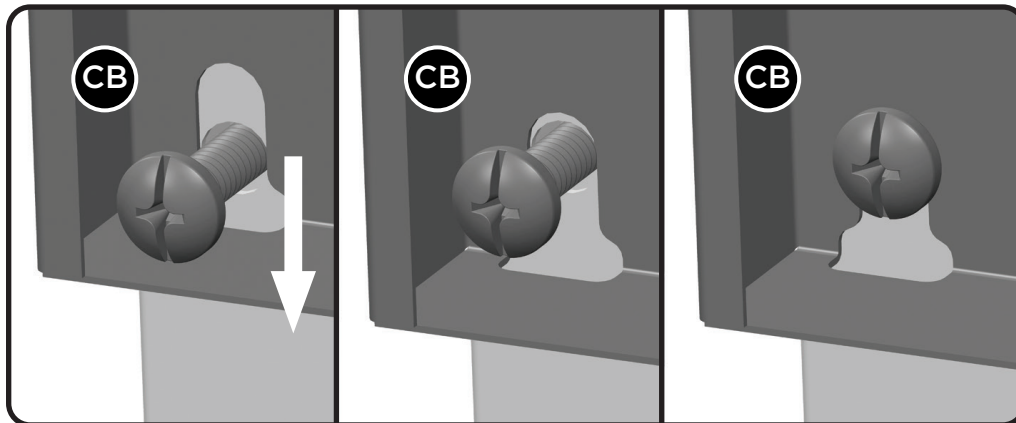


Anchor screw: Only tighten screw halfway, as shown.

12

Mount shelf and tighten anchor screw, as shown.



B.

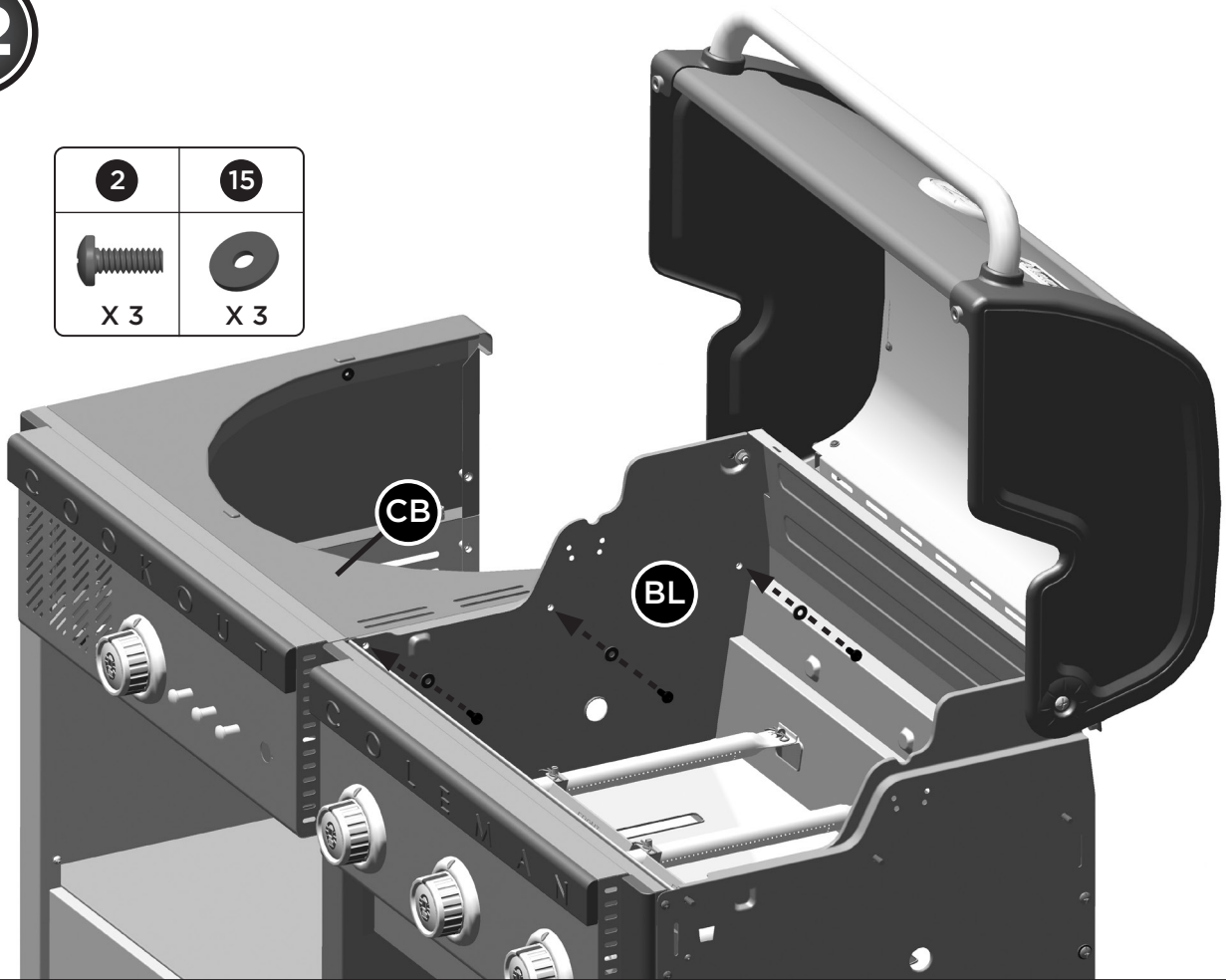


# ASSEMBLY INSTRUCTIONS

12


C.

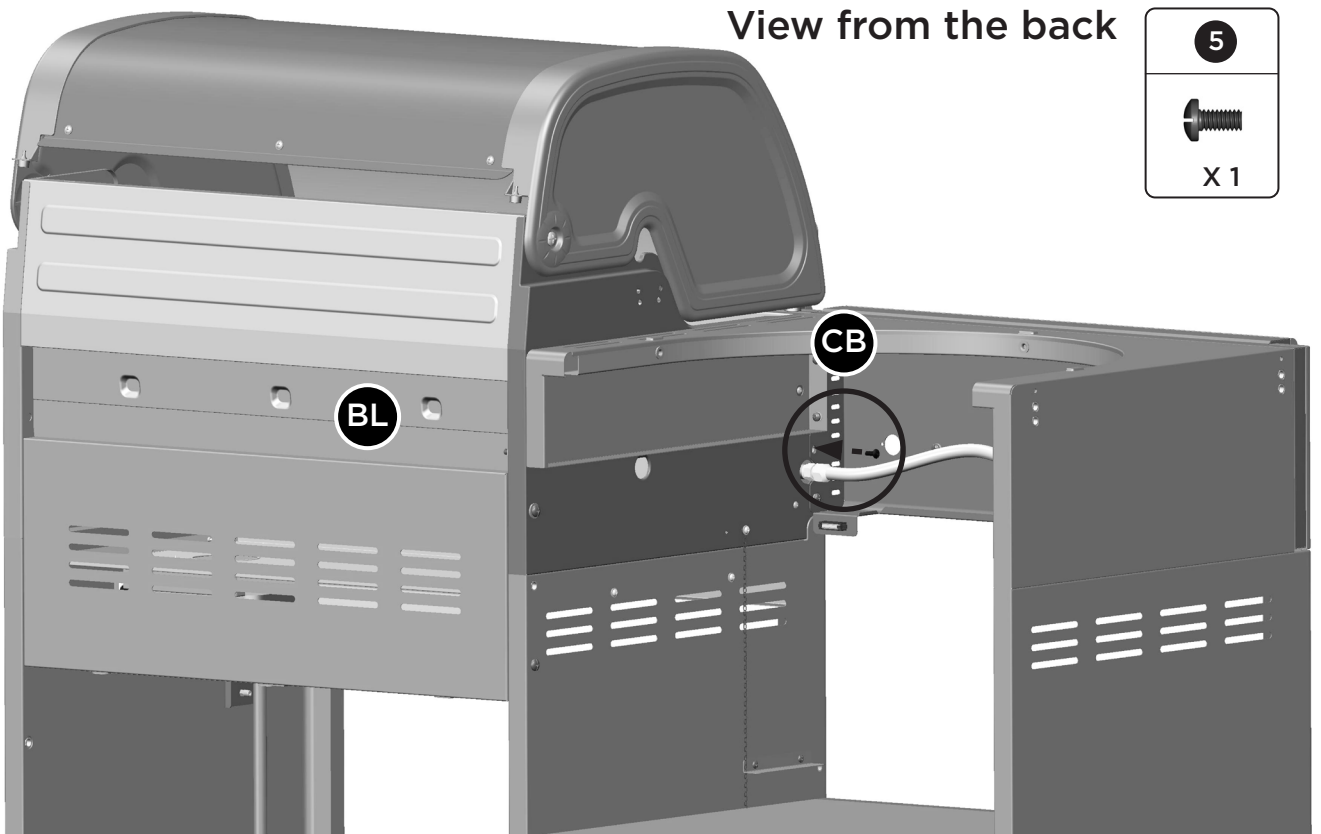
2	15
	
X 3	X 3



D.

View from the back

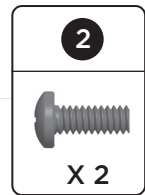
5

X 1



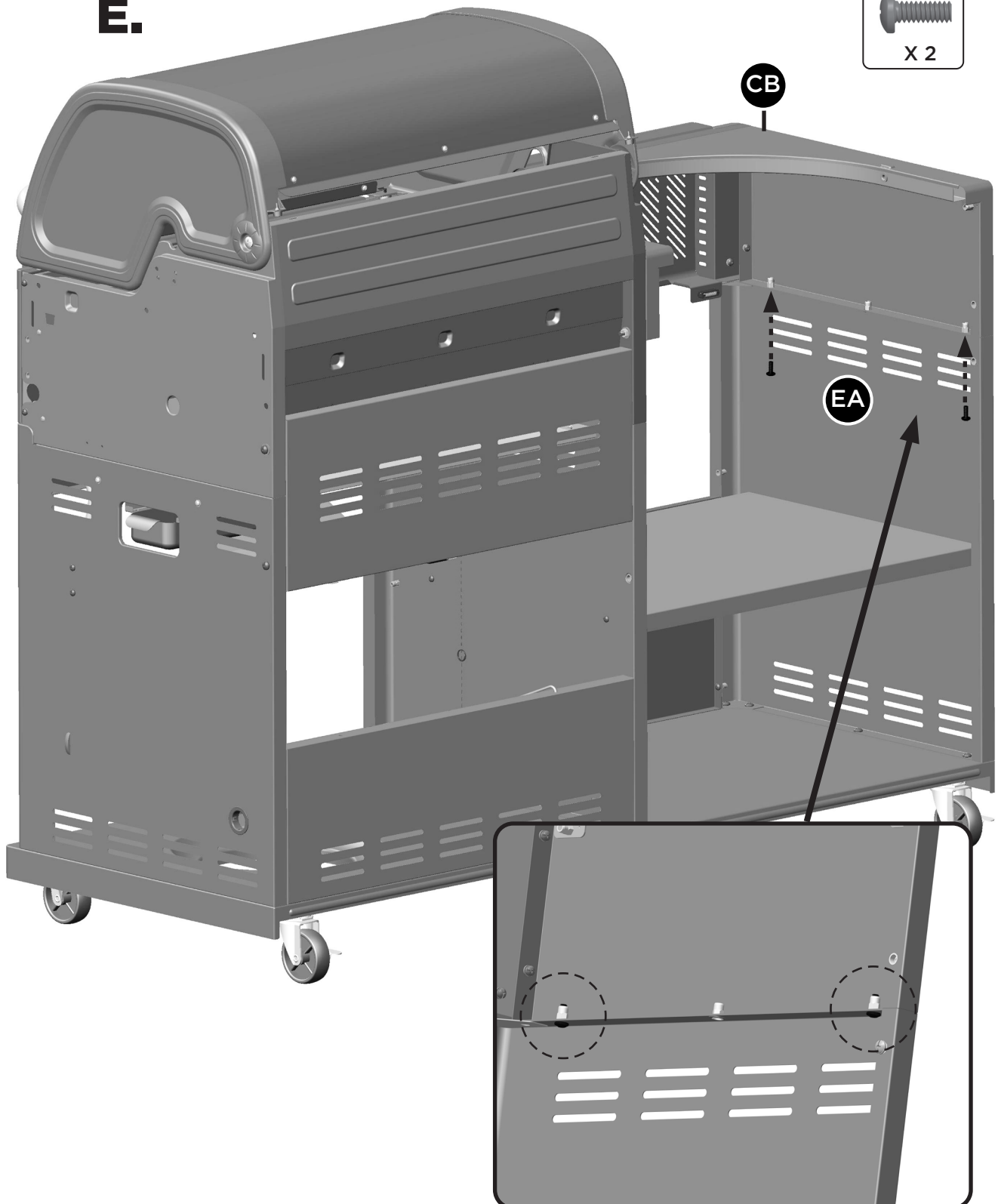


12

View from the back



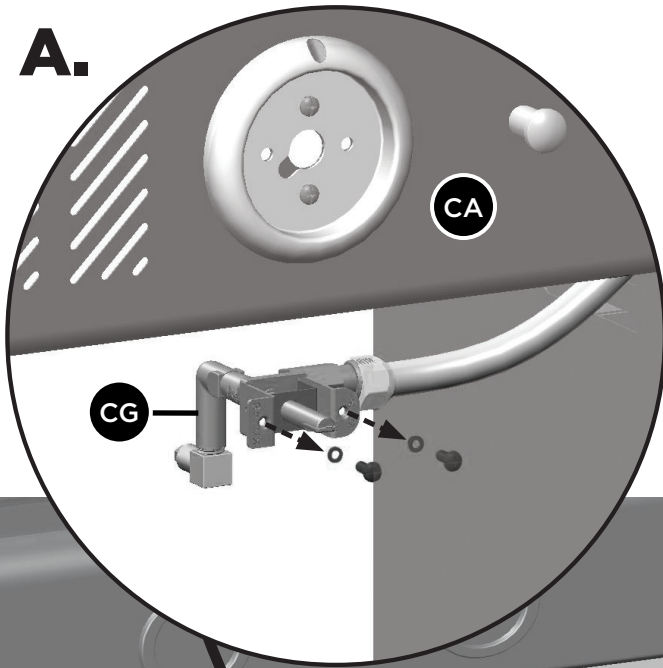
E.





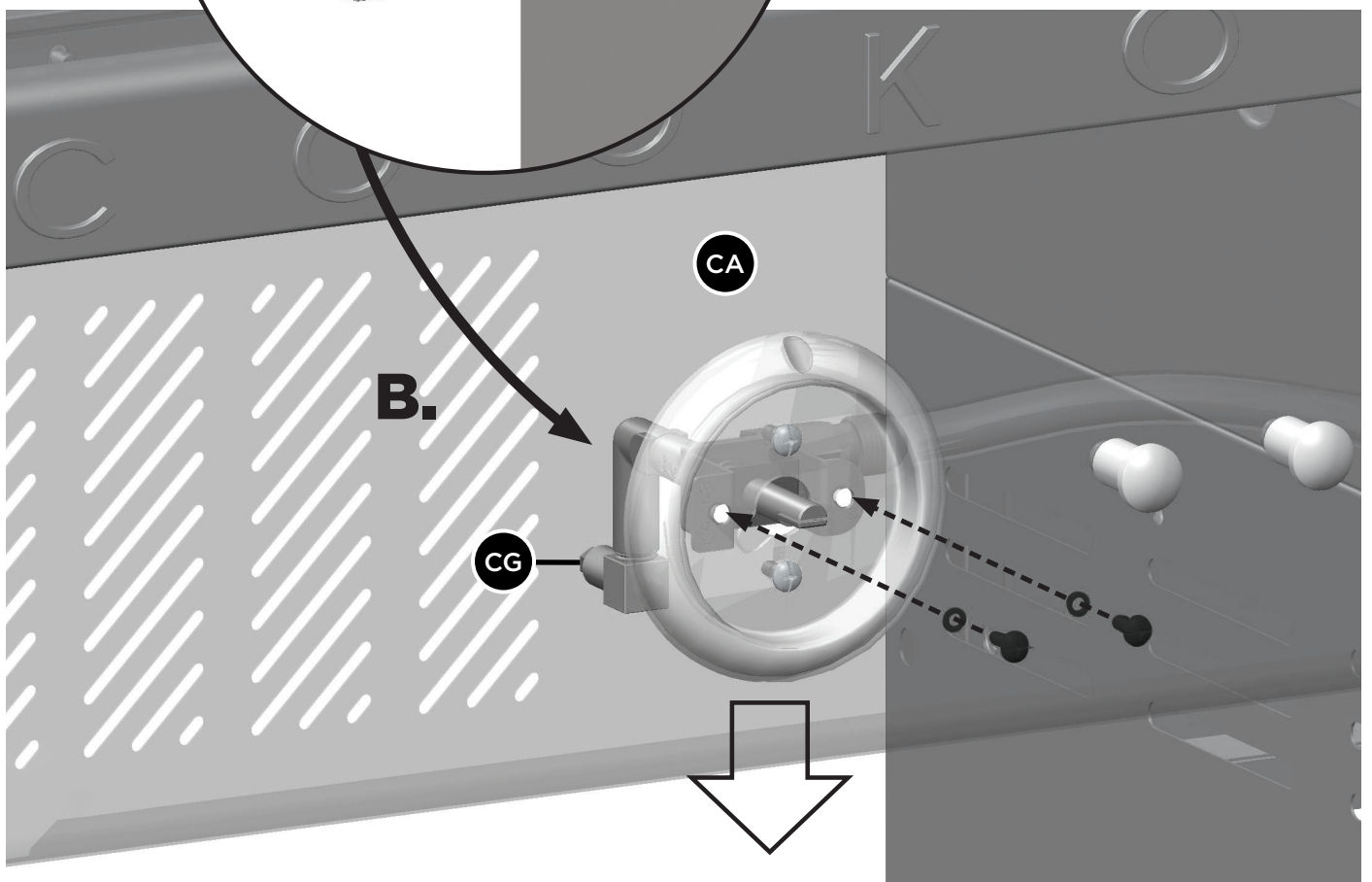
14

A.

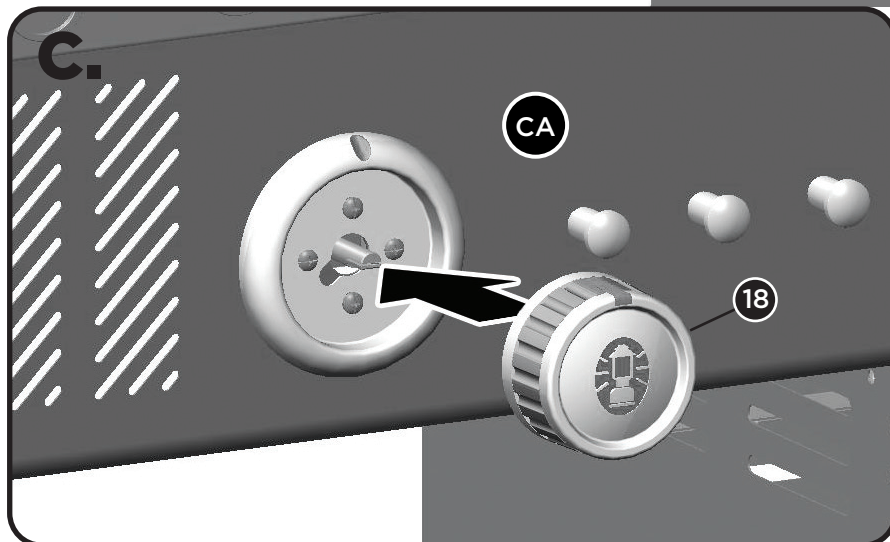


Remove the pre-assembled hardware from the Charcoal Ignition Burner Valve (CG) and use it to assemble the valve (CG) to the Charcoal Control Panel (CA).

B.



C.






15

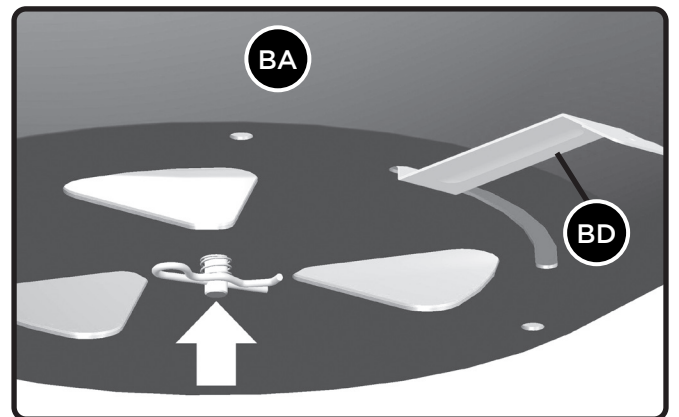
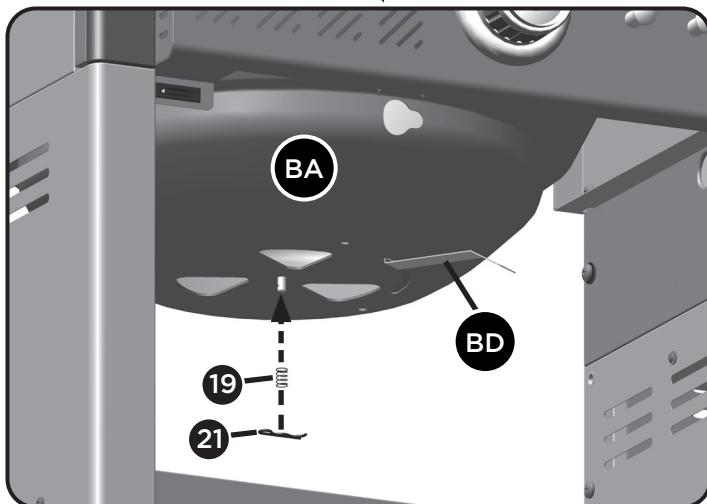
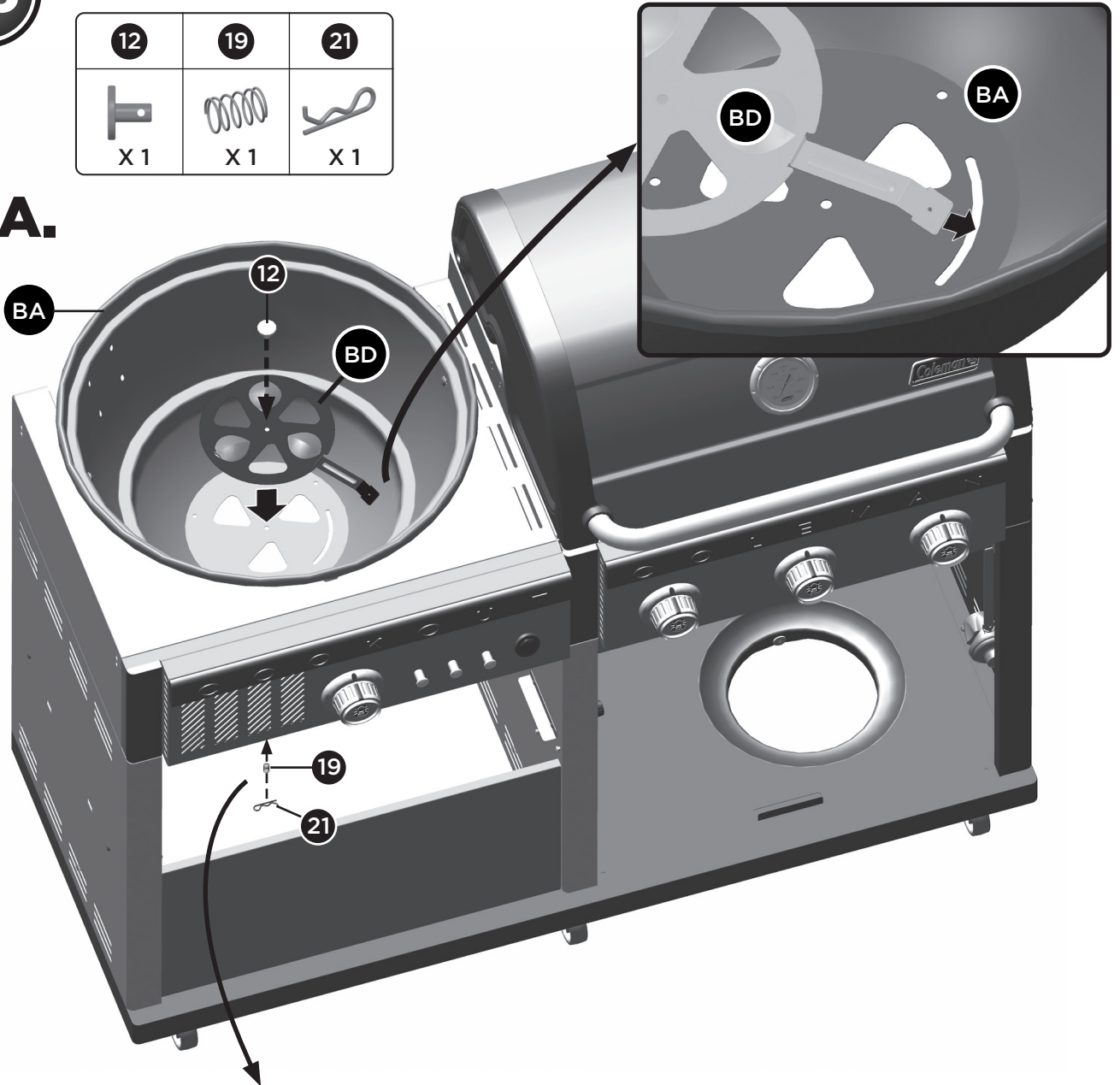


# ASSEMBLY INSTRUCTIONS

16

12	19	21
		
X 1	X 1	X 1

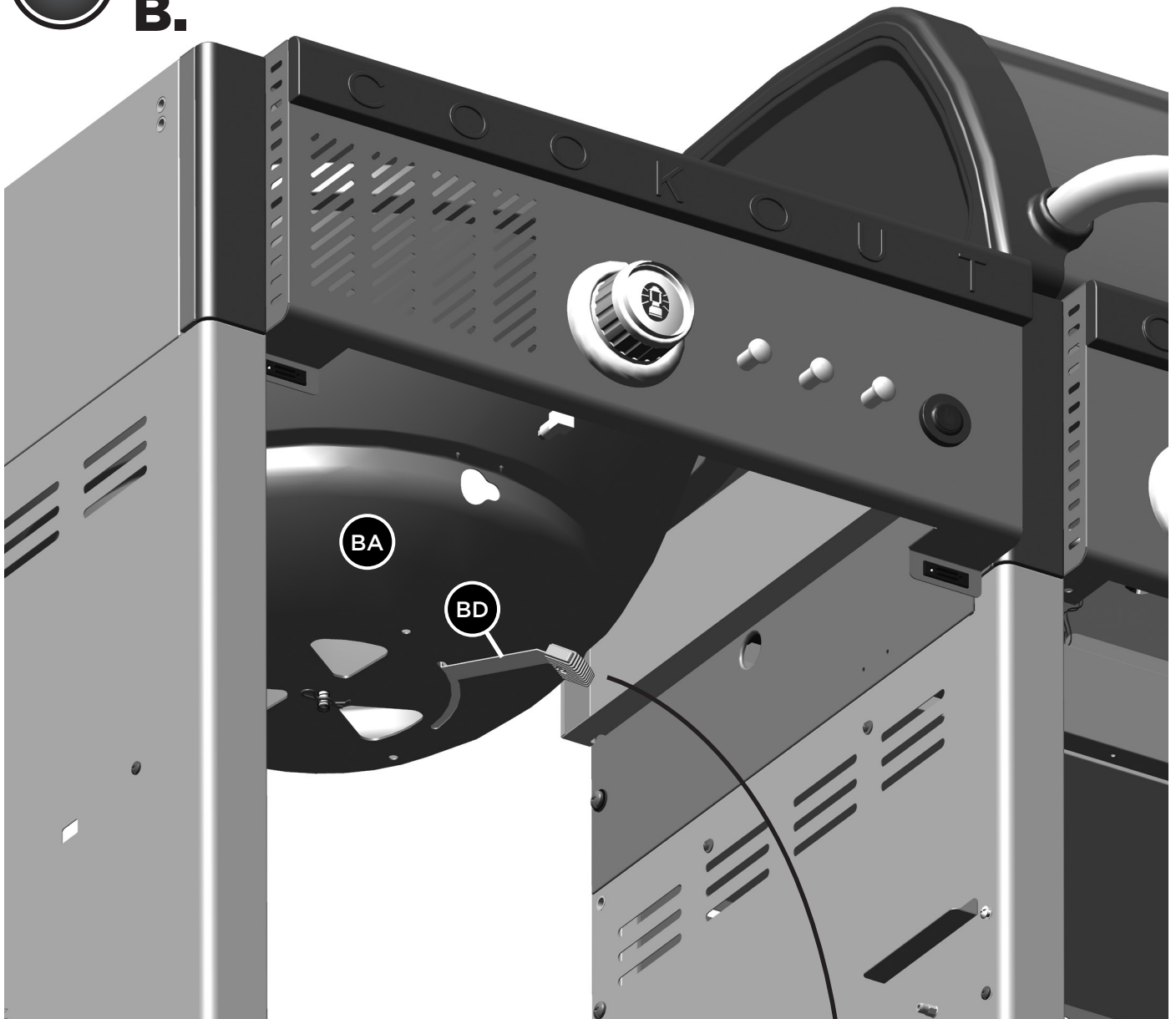
A.





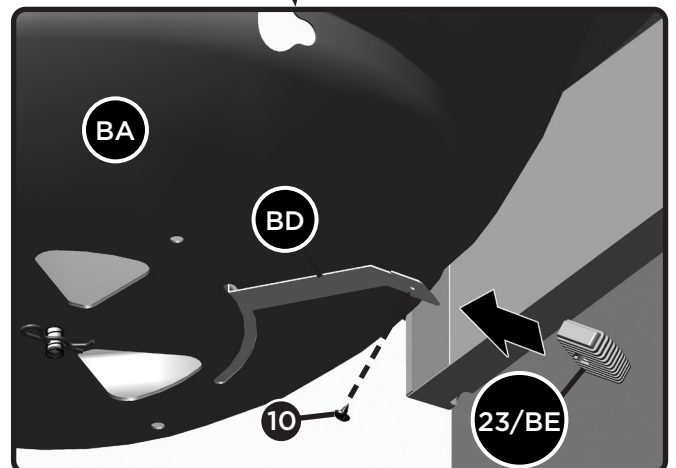


16

B.



10	23
	
X 1	X 1







# ASSEMBLY INSTRUCTIONS

17






5	16
	
X 3	X 3



18



## 19

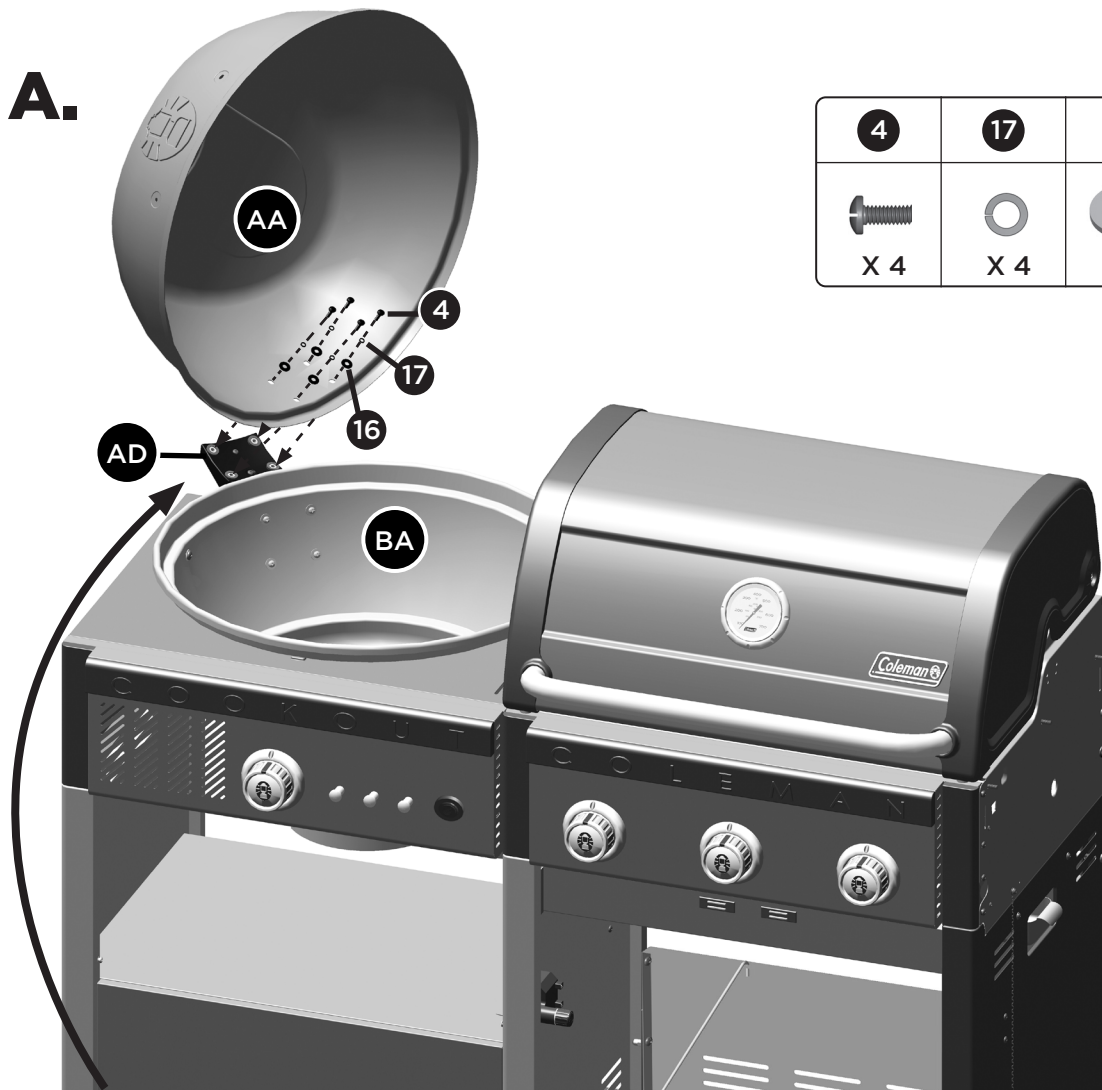
4	17	16
		
X 4	X 4	X 4






# ASSEMBLY INSTRUCTIONS

**20**

**A.**



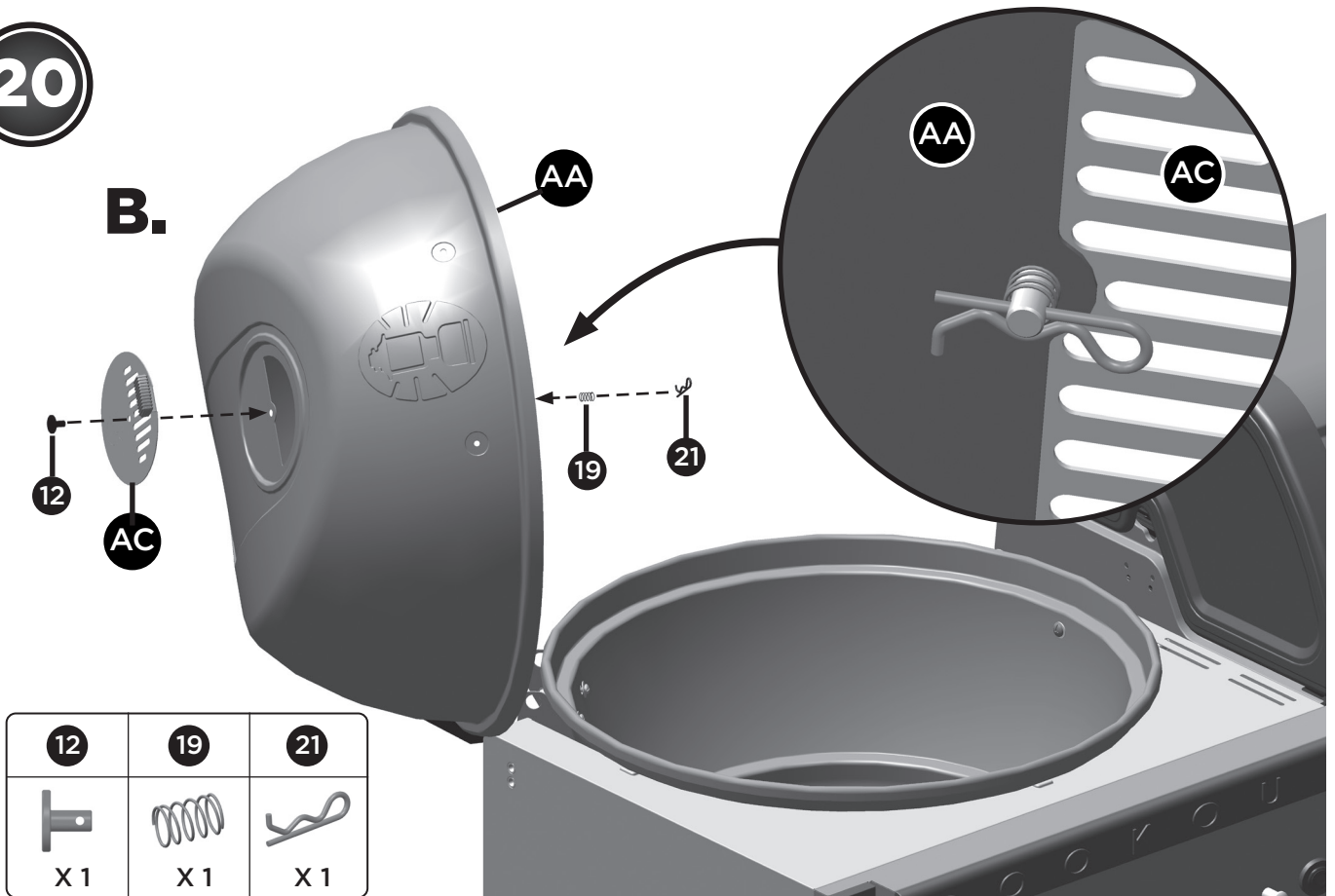
4	17	16
		
X 4	X 4	X 4






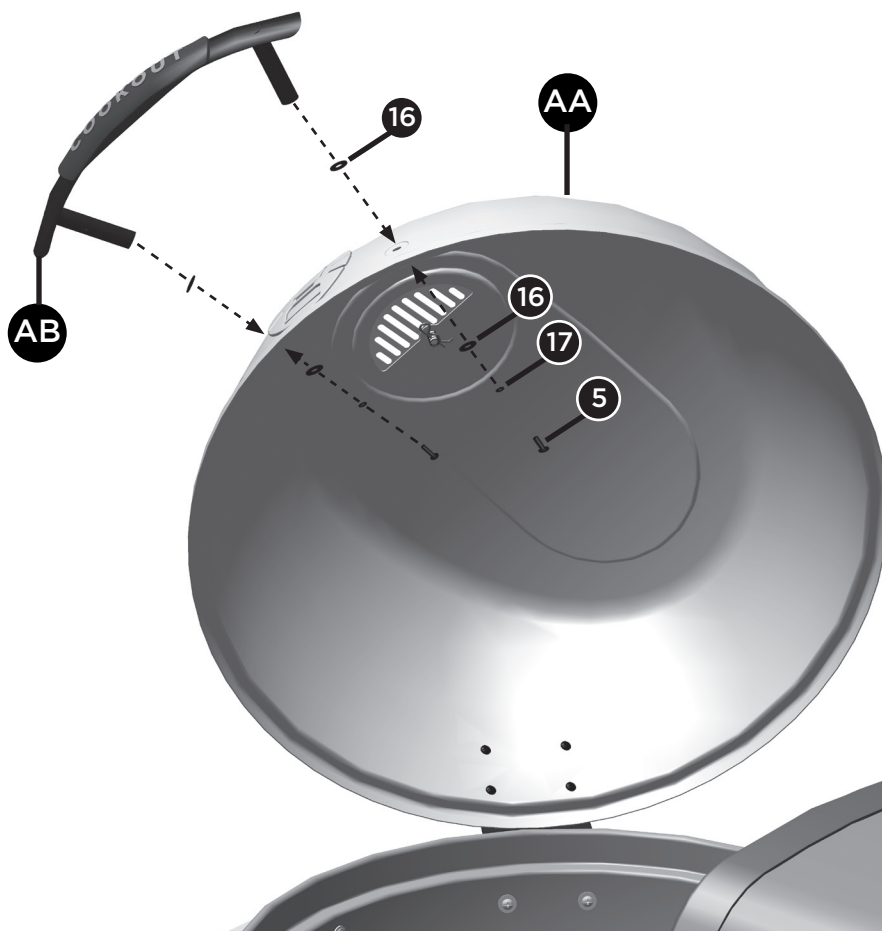
# ASSEMBLY INSTRUCTIONS




**20**

**B.**



<b>12</b>	<b>19</b>	<b>21</b>
		
X 1	X 1	X 1



<b>5</b>	<b>17</b>	<b>16</b>
		
X 2	X 2	X 4

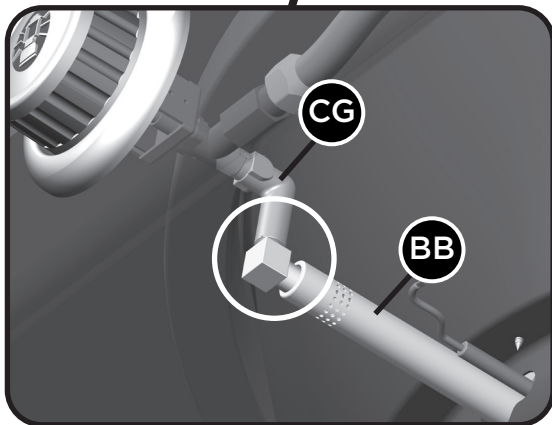
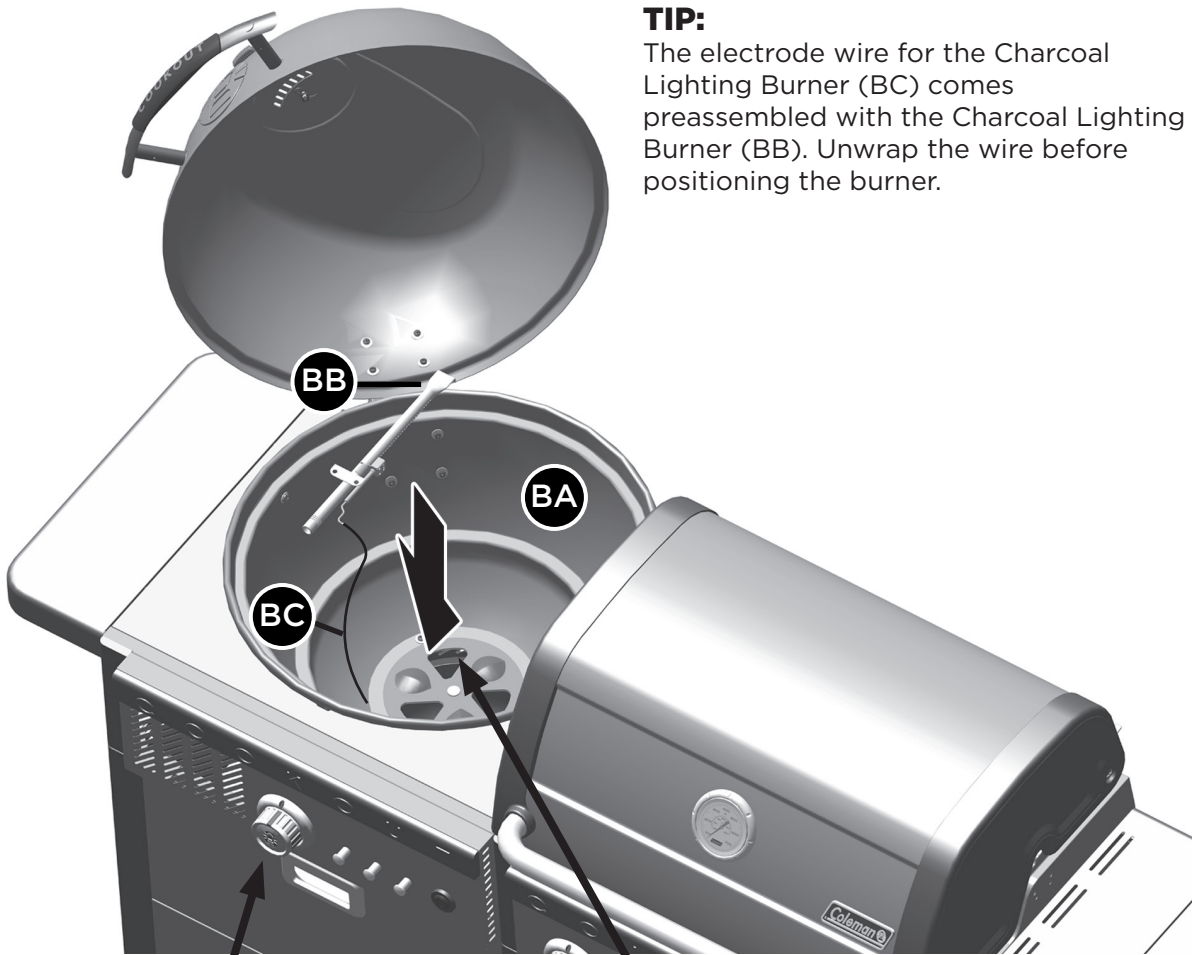


# ASSEMBLY INSTRUCTIONS

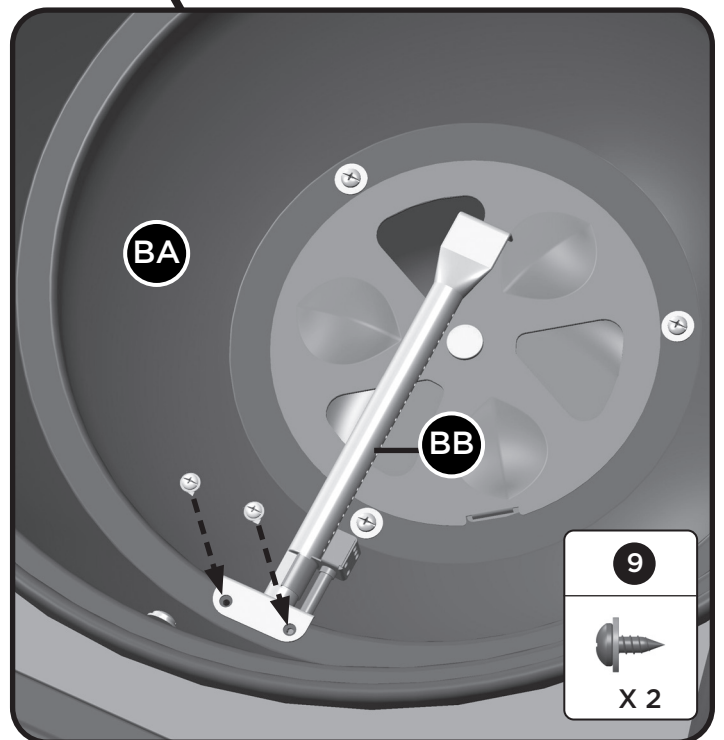
21

**TIP:**

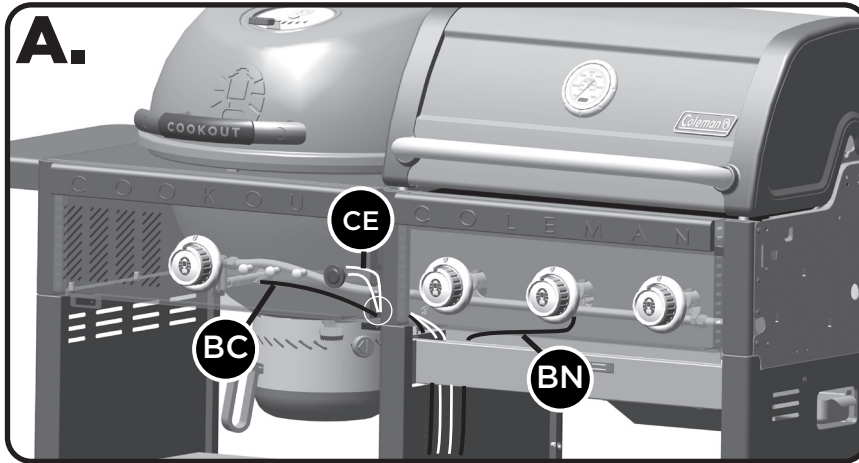
The electrode wire for the Charcoal Lighting Burner (BC) comes preassembled with the Charcoal Lighting Burner (BB). Unwrap the wire before positioning the burner.



Ensure that the Charcoal Lighting Burner (BB) securely engages with the Charcoal Lighting Burner Valve (CG).

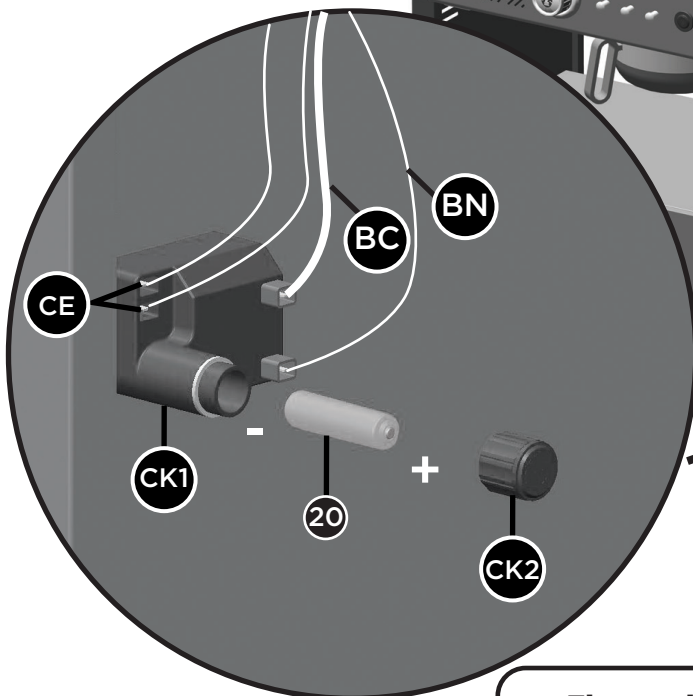


**22**



**▲ IMPORTANT:**  
**Locate the Charcoal Lighting Burner Electrode (BC) and thread its end through the manifold hole.**

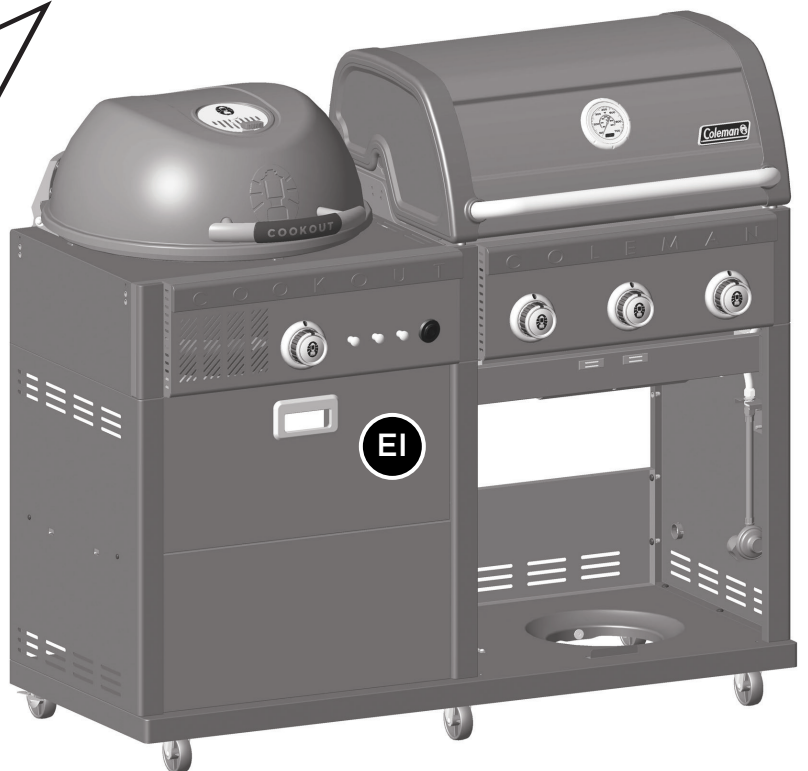
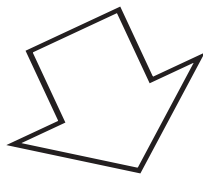
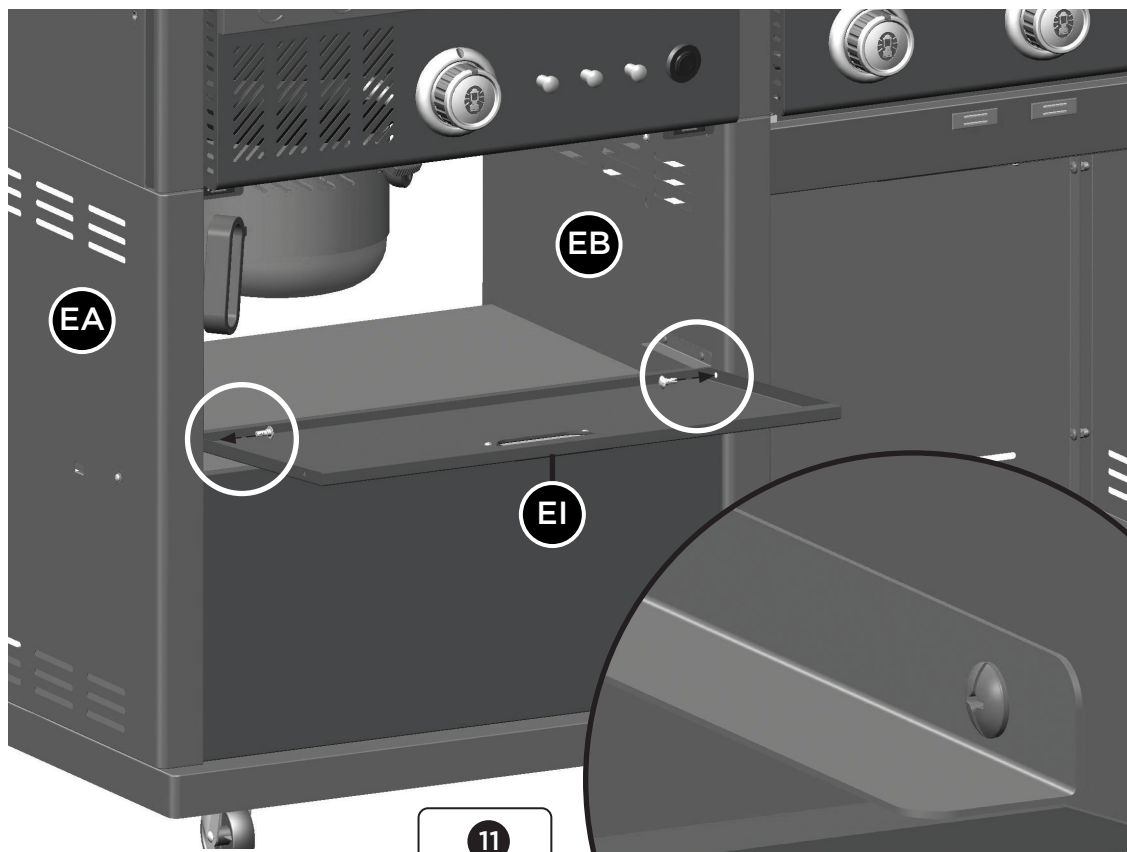
**20**  
  
**X 1**



**Electronic Ignition Wire Assembly**  
 Insert the Charcoal Lighting Burner Electrode wire (BC), the Main Burner Electrode wires (BN), and the Instastart™ Ignition Button wires (CE) into the Electronic Ignition Assembly (CK1). Place one 'AA' battery into the compartment with the positive end facing outward, and secure it using the Ignition Battery Cover (CK2).

**Instastart™ Ignition Button (CE)**  
**Charcoal Lighting Burner (BC)**  
**Gas Side Main Burner (BN)**  
**CK1**  
**CK2**

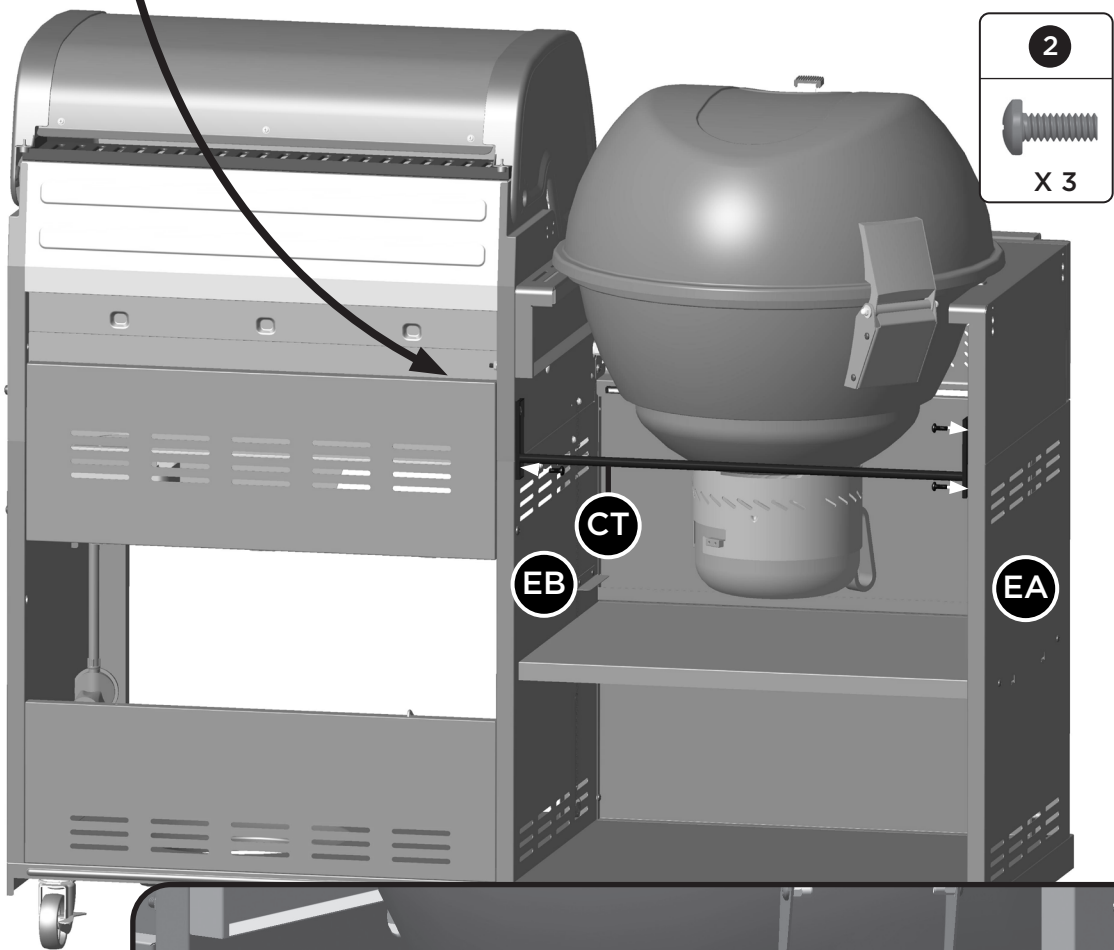
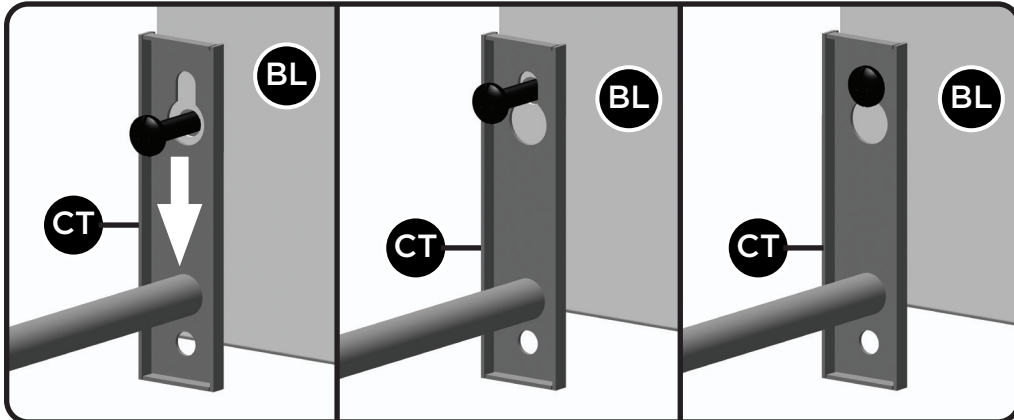
23



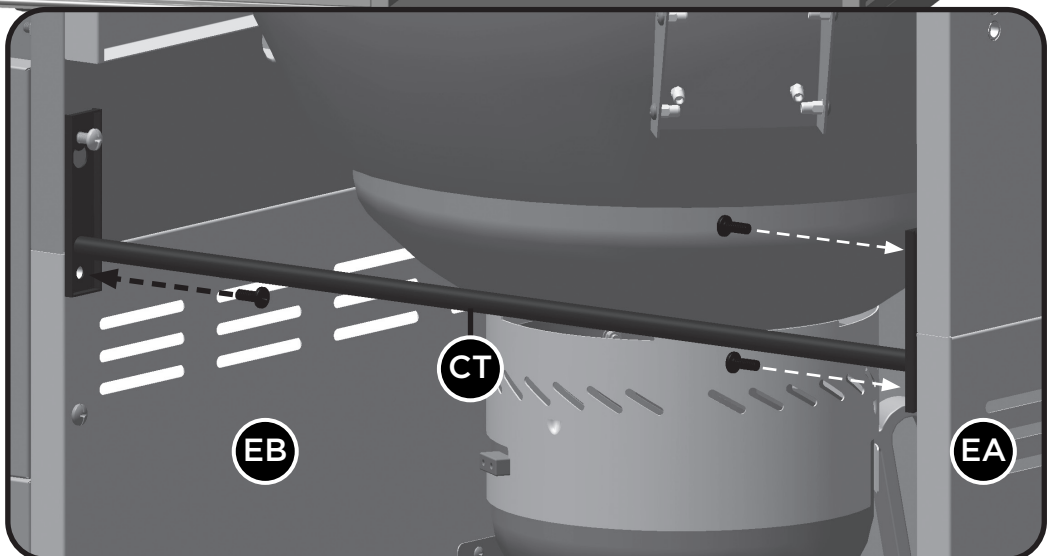


24

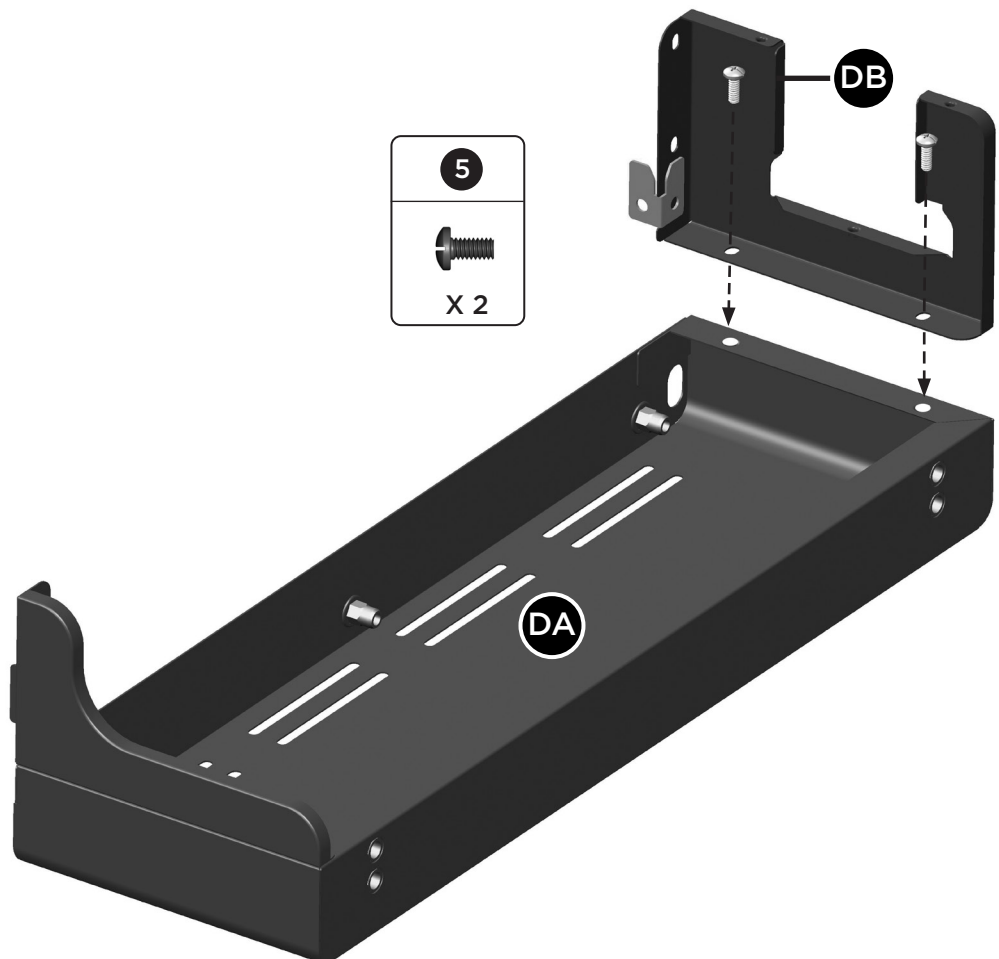
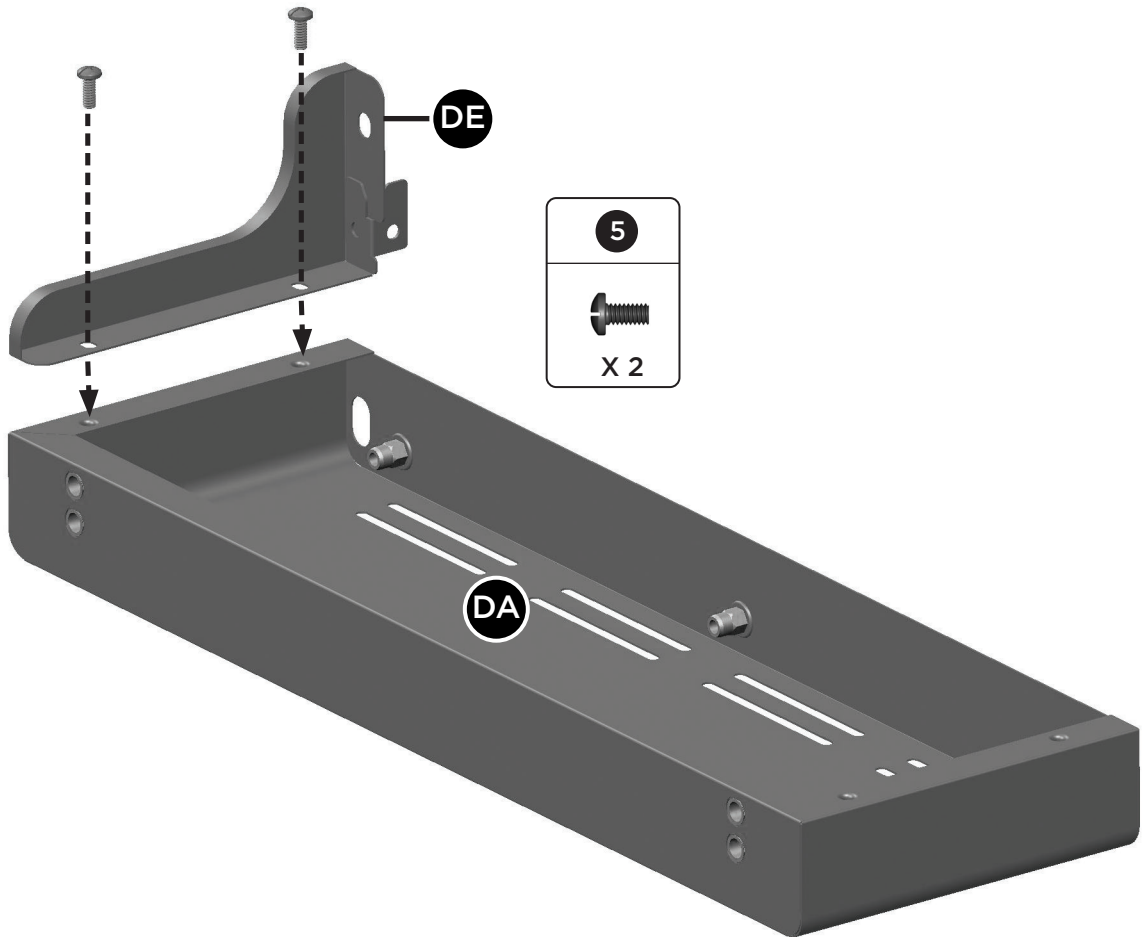
Mount back brace and tighten anchor screw, as shown.



View from the back



25



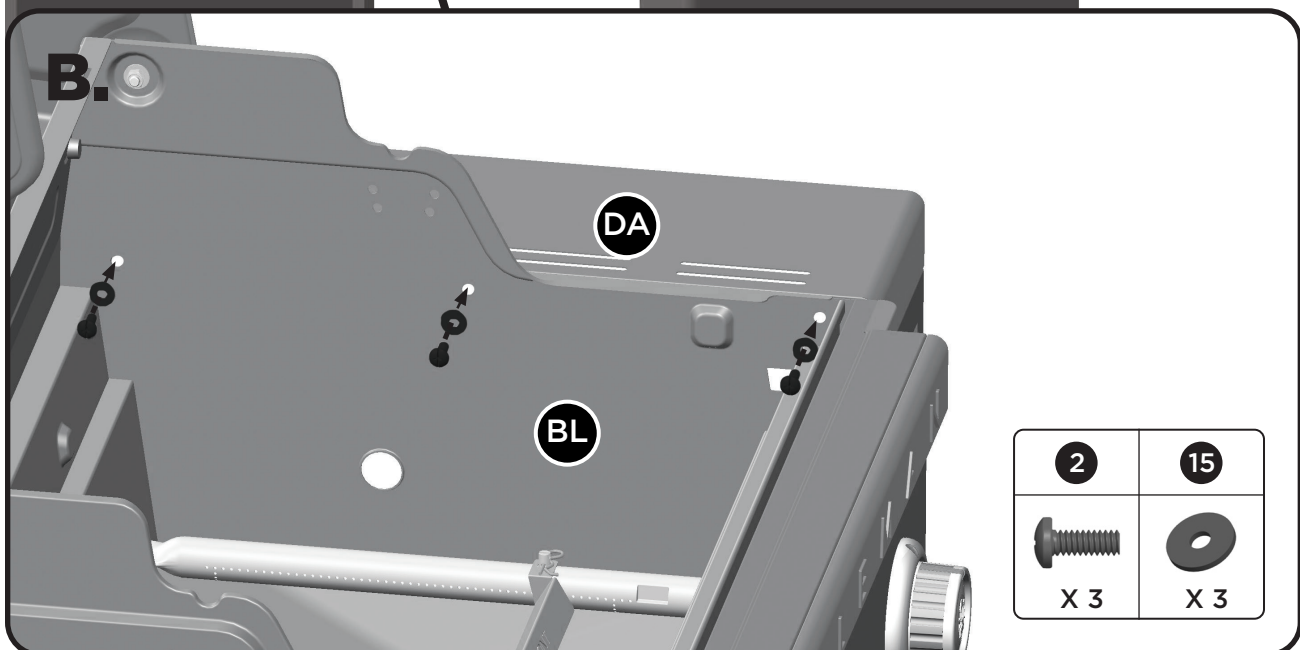
# ASSEMBLY INSTRUCTIONS

**26**

**A.**

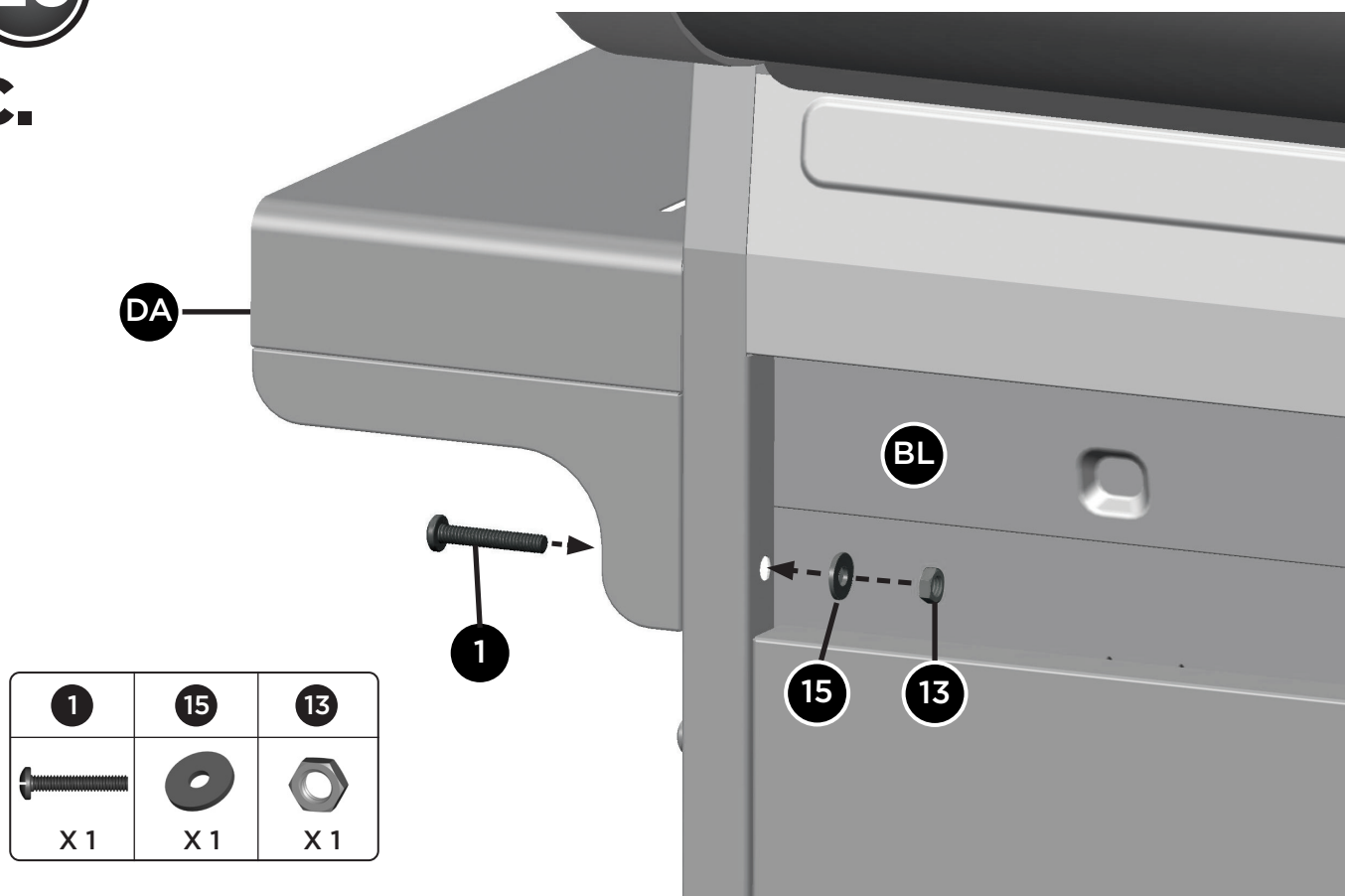


**B.**

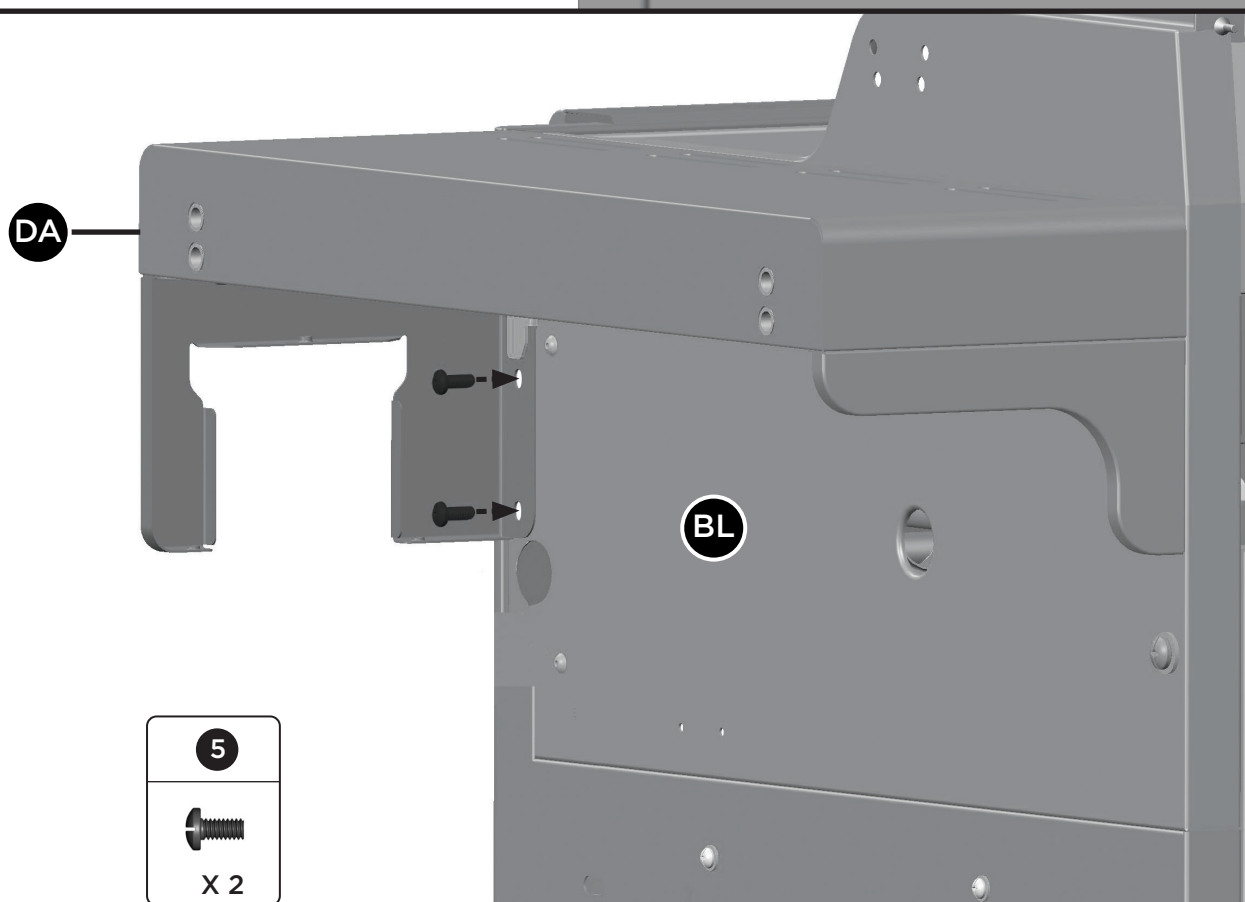


26

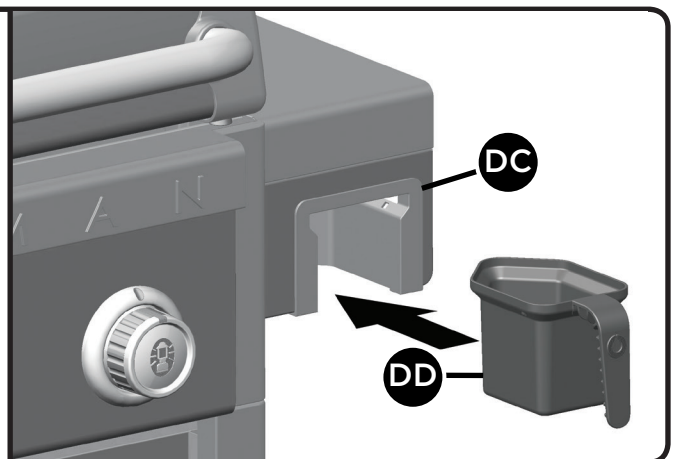
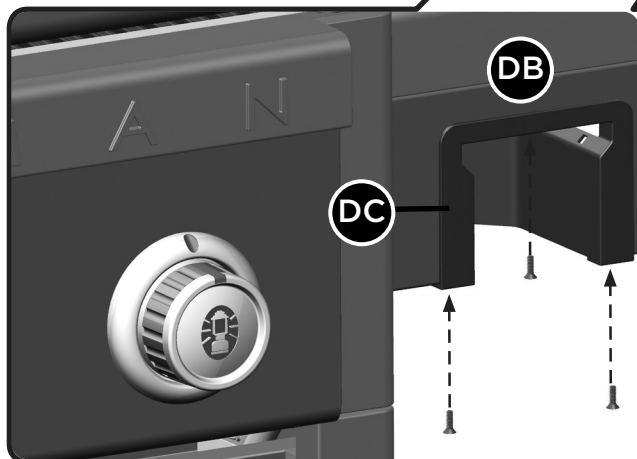
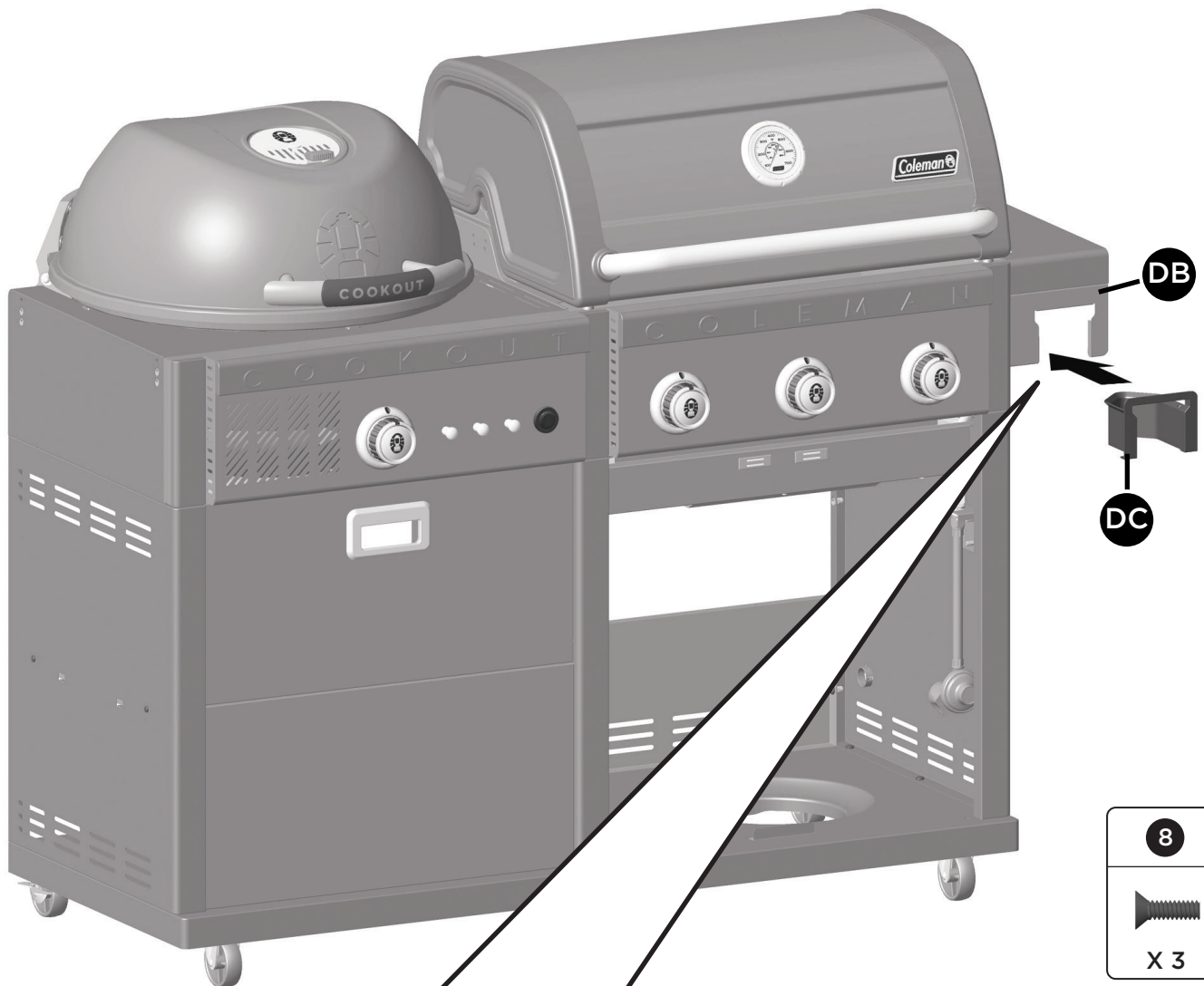
C.



D.



27

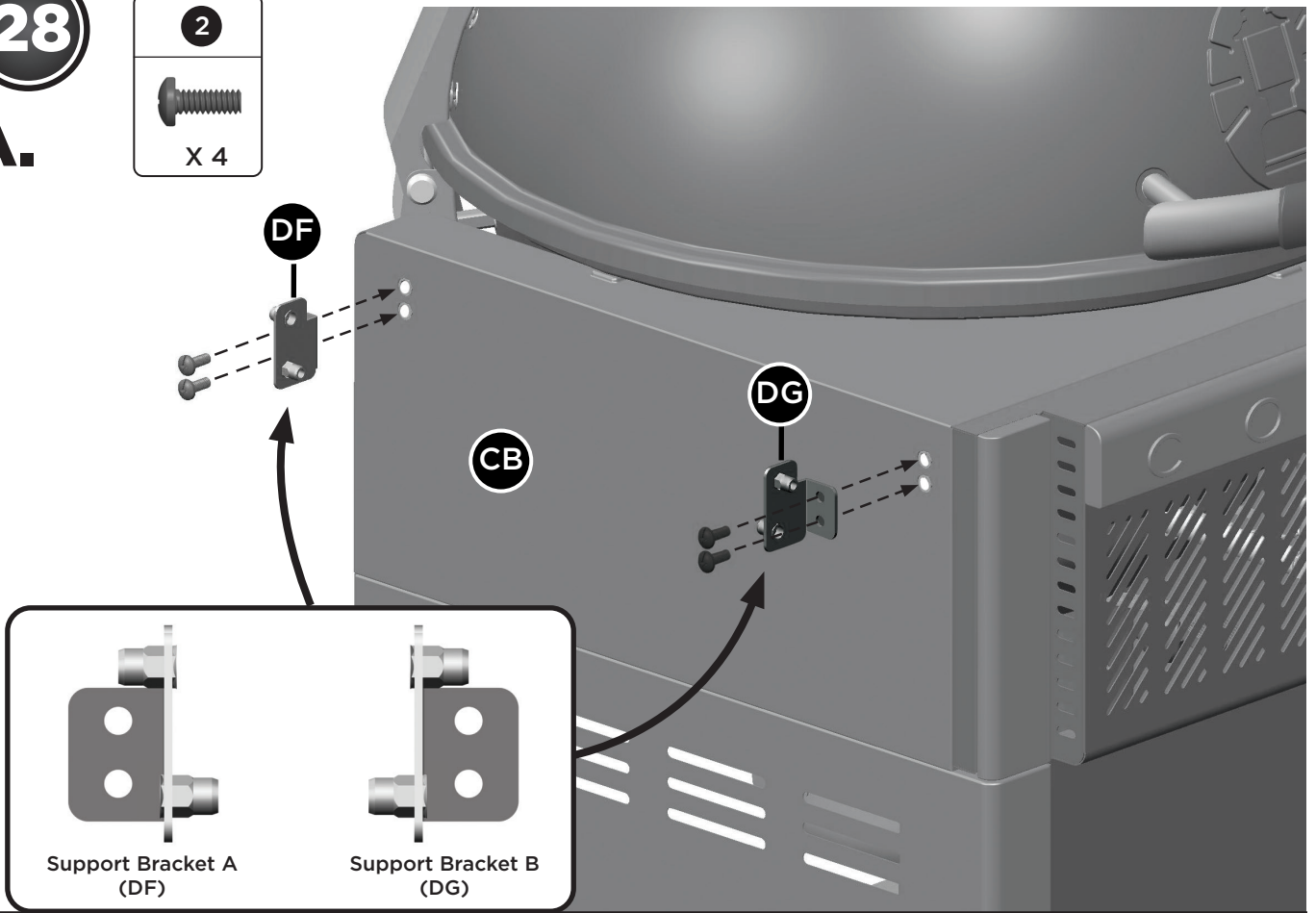
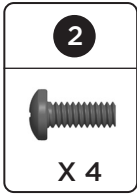




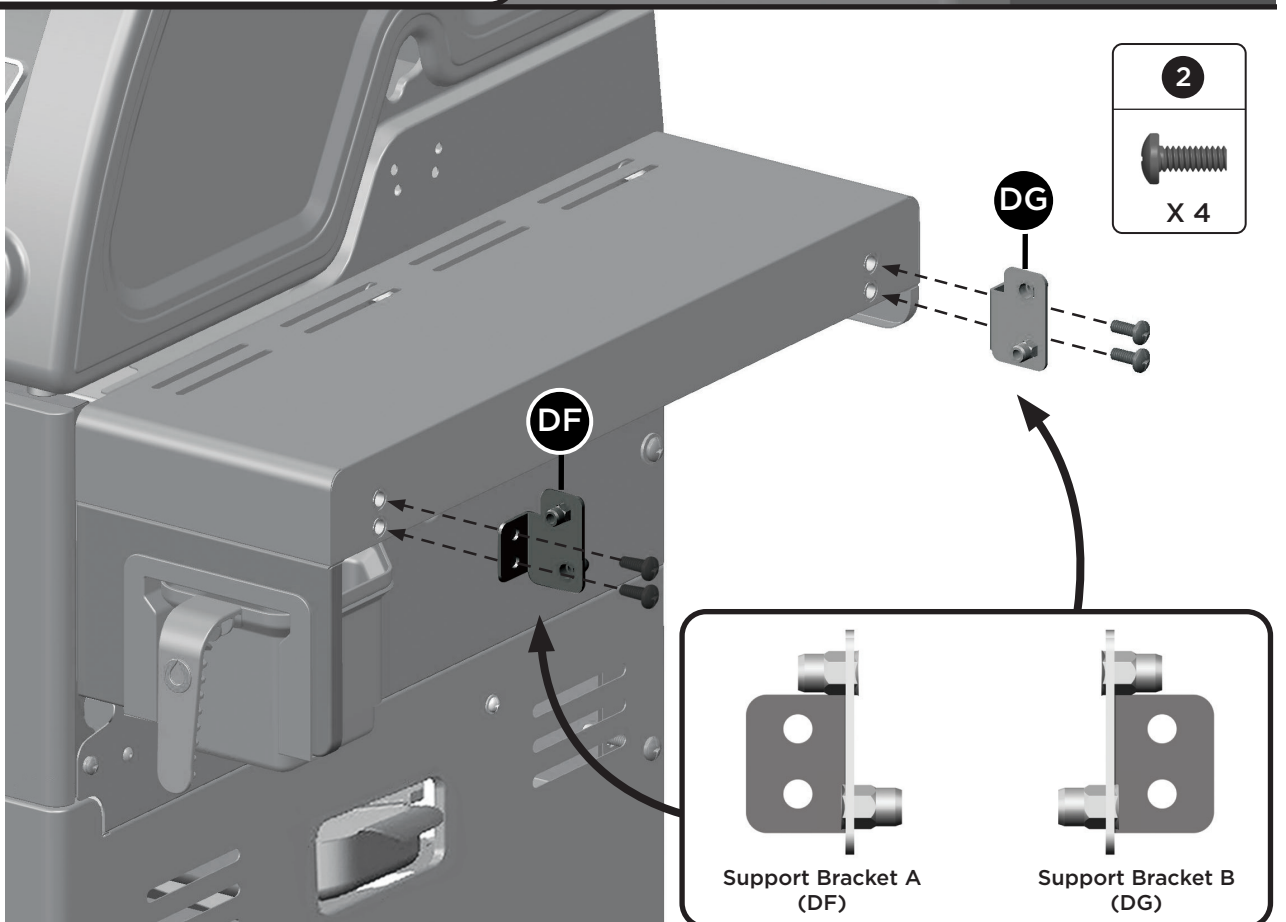
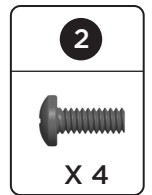
# ASSEMBLY INSTRUCTIONS

28

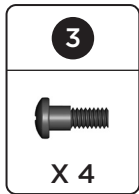
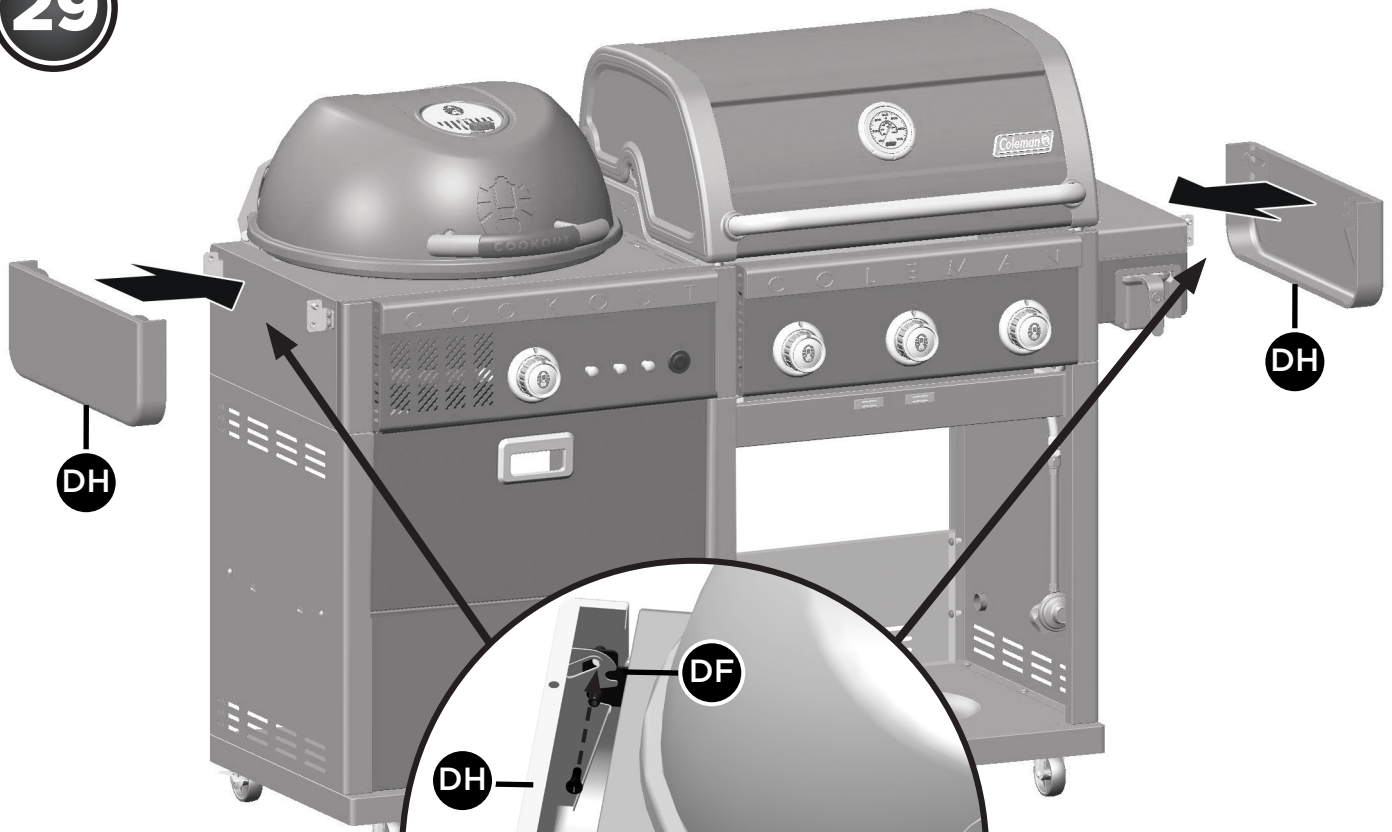
A.



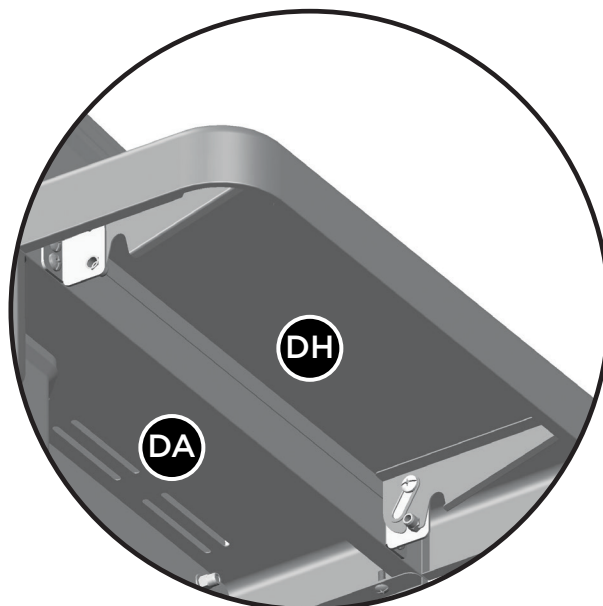
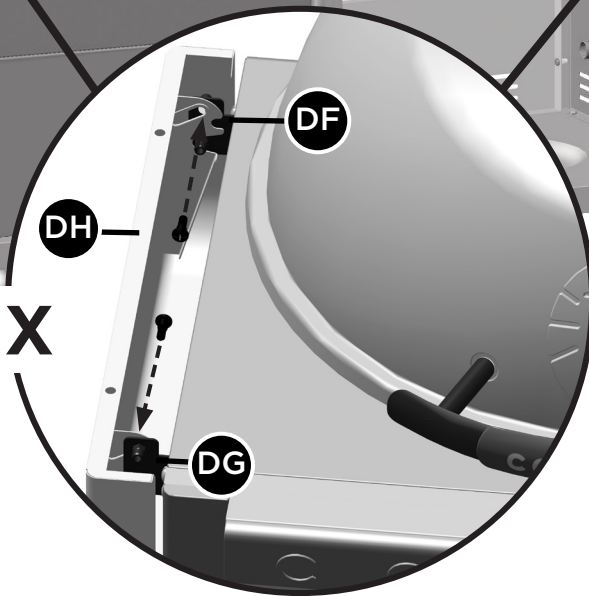
B.



29



2X





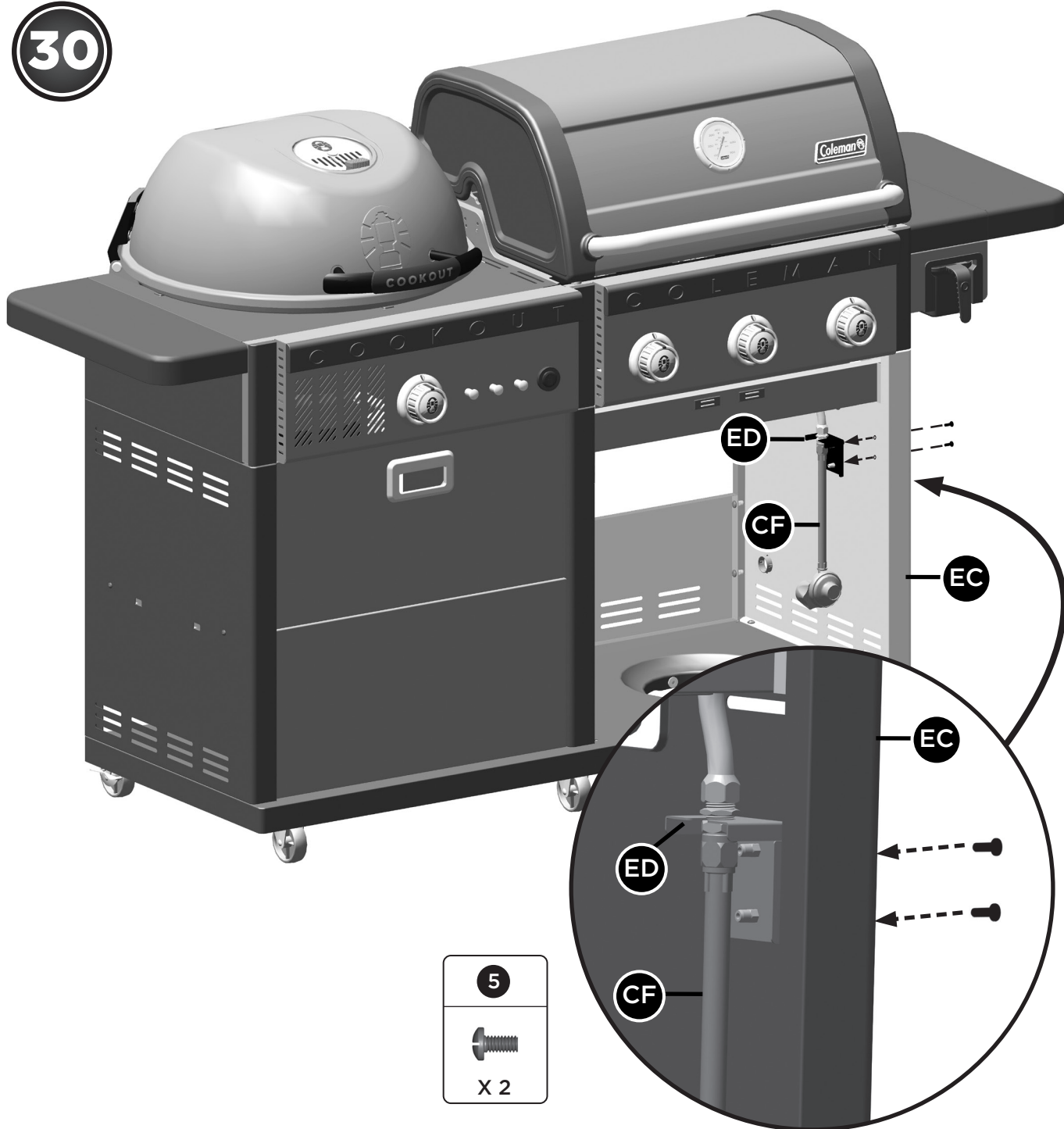
## CONVERTIBLE VALVE SYSTEM™

**ATTENTION:** YOUR MODEL includes the CONVERTIBLE VALVE SYSTEM™. If you would like to convert your grill from PROPANE to NATURAL GAS, the following kit is required

Convertible Valve System™ Natural Gas Conversion Kit - product number: CTA-1550 (Sold Separately).

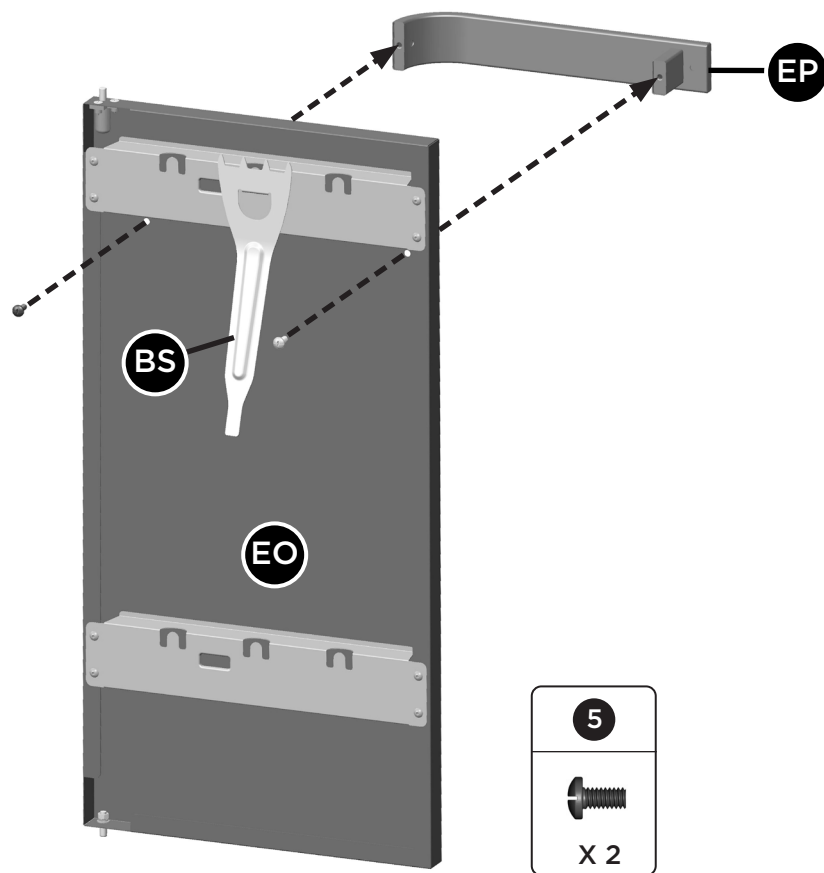
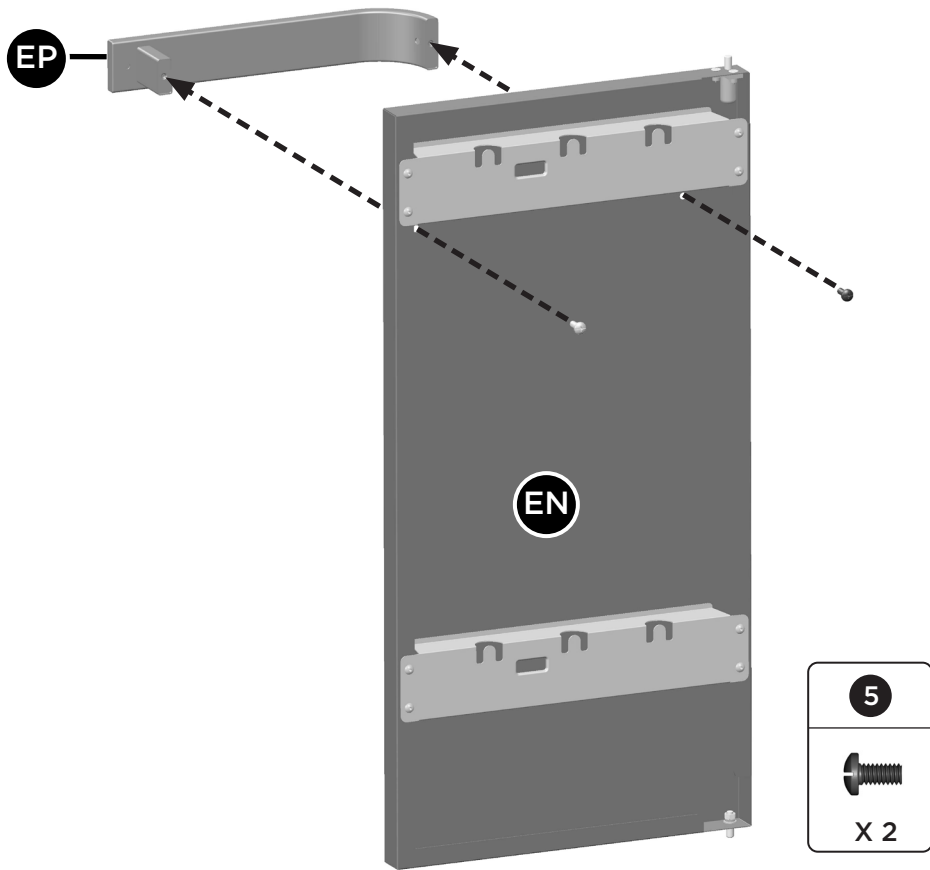
Before completing steps 30 to 39, follow the steps outlined in the CONVERTIBLE VALVE SYSTEM™ instruction manual that accompanied the kit.

30

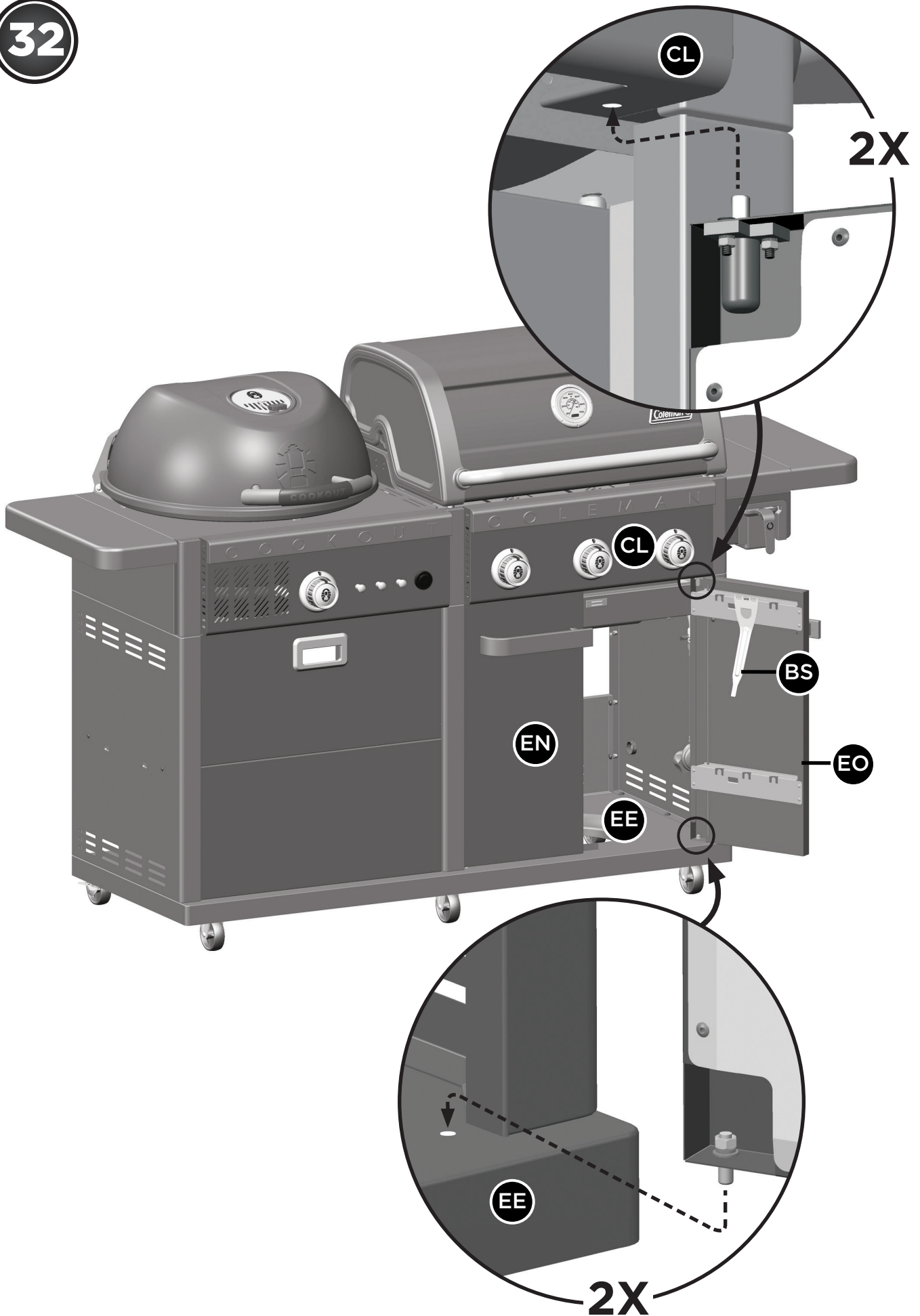




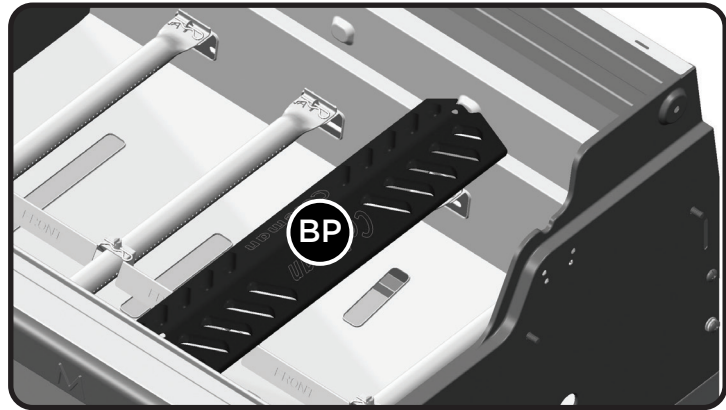
31



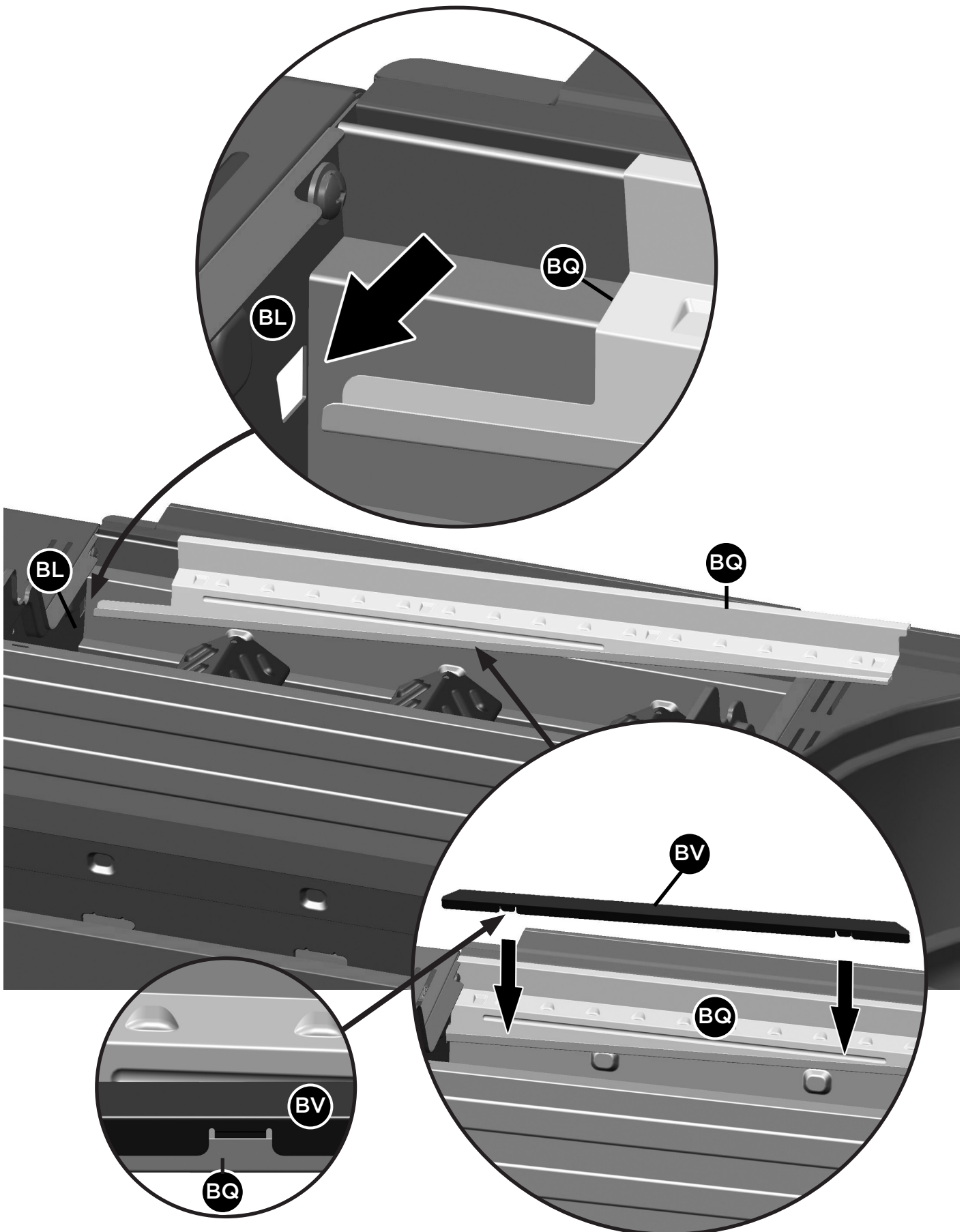
32



33



34



35

**⚠ ATTENTION: STACK GRATES BEFORE POSITIONING.**

**Upper Cooking Grate: BR - Porcelain Cast Iron Cooking Grate**

**Lower Cooking Grate: BV - Stamped Steel Cooking Grate**





36



37





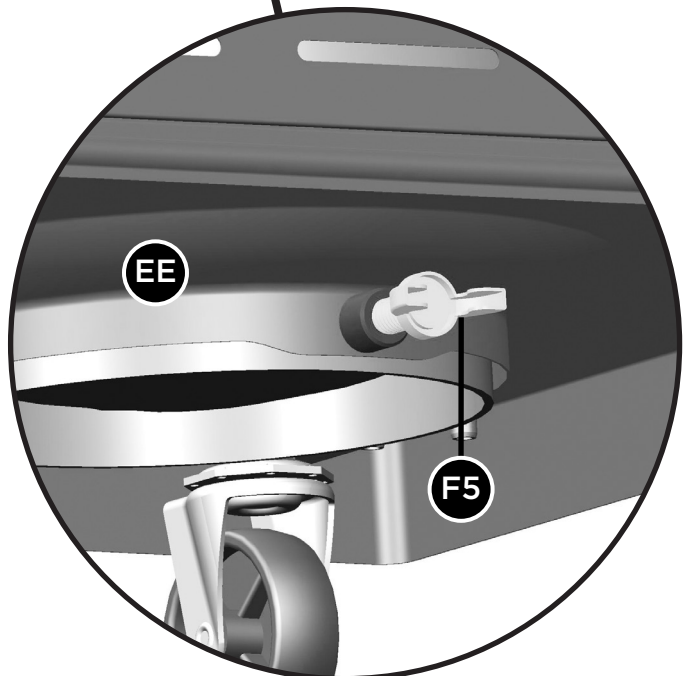
**38**

**FOR PROPANE MODEL ONLY.  
FOR NATURAL GAS MODEL, FOLLOW STEP 39.**



**WARNING:**

FOR YOUR FAMILIES SAFETY, DO NOT ATTEMPT TO LIGHT THIS GRILL UNTIL YOU HAVE REVIEWED PAGES 4-7 OF THE COLEMAN® SAFE USE & CARE MANUAL. ALL SAFETY AND LEAK TESTS MUST BE PERFORMED BY THE END USER, PRIOR TO LIGHTING THIS GRILL.



## 39 HOW TO CONVERT YOUR GRILL TO NATURAL GAS

This grill is sold propane-ready. To convert it to natural gas, purchase the Coleman Convertible Valve System Kit (#CTA-1550).



### IMPORTANT

Make sure the conversion kit packaging has the following symbol on it:



**CONVERTIBLE  
VALVE SYSTEM™**

## ADDITIONAL WARNINGS

You have now completed the assembly of your Coleman® Revolution™ grill.

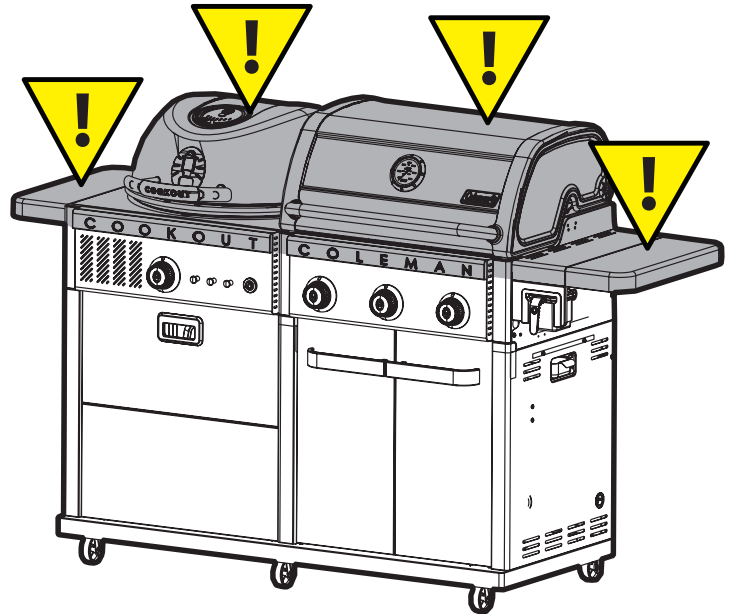
### NEXT STEPS:

1. Position your Grill
2. Read Safe Use & Care Manual
3. Perform Grill Safety Check-list

### WARNING:

▲ FOR YOUR FAMILIES SAFETY, DO NOT ATTEMPT TO LIGHT THIS GRILL UNTIL YOU HAVE REVIEWED PAGES 4-7 OF THE COLEMAN® SAFE USE & CARE MANUAL. ALL SAFETY AND LEAK TESTS MUST BE PERFORMED BY THE END USER, PRIOR TO LIGHTING THIS GRILL.

### ▲ WARNING HOT SURFACES:



## POSITION YOUR GRILL

**Always confirm that this grill is not positioned under** a combustible object (e.g., an awning or umbrella) or in a covered area (e.g., porch or gazebo) before lighting it, to prevent a possible fire.

**Always confirm that this grill is not positioned under** the overhang of a house, a garage or other structure before lighting it. An overhang will serve to deflect flare-ups and radiate heat into the structure itself, which could result in a fire.

**Always confirm that this grill is positioned more than 36" (91.4cm) away from** any combustible materials or surfaces before lighting it, and that no gasoline or other volatile substances are stored in the vicinity of this grill. The temperature of a grease fire or of the radiated heat might otherwise be sufficient to ignite nearby combustibles or volatile substances. Do not position near windows, siding, or fencing.



**Always locate the grill where there will be ample** combustion and ventilation air, but never position it in the direct path of a strong wind.

**Level your grill for optimal performance of Flare-Free Technology™.**



Licensed By BackHome Products LLC.

©2024 The Coleman Company, Inc.

Coleman®,  and  are registered trademarks of  
The Coleman Company, Inc. used under license.